

REVISIONS			
REV	DESCRIPTION	DATE	APPROVED
C	REVISED TO ADD GLAZING DETAILS	05/07/2021	R.L.

NOTES:

1. THE PRODUCT SHOWN HEREIN IS DESIGNED AND MANUFACTURED TO COMPLY WITH REQUIREMENTS OF THE FLORIDA BUILDING CODE.
2. WOOD FRAMING AND MASONRY OPENING TO BE DESIGNED AND ANCHORED TO PROPERLY TRANSFER ALL LOADS TO STRUCTURE. FRAMING AND MASONRY OPENING IS THE RESPONSIBILITY OF THE ARCHITECT OR ENGINEER OF RECORD.
3. 1X BUCK OVER MASONRY/CONCRETE IS OPTIONAL.
4. WHERE SHIM OR BUCK THICKNESS IS LESS THAN 1-1/2" WINDOW UNITS MUST BE ANCHORED THROUGH THE FRAME IN ACCORDANCE WITH MANUFACTURER'S PUBLISHED INSTALLATION INSTRUCTIONS. ANCHORS SHALL BE SECURELY FASTENED DIRECTLY INTO MASONRY, CONCRETE OR OTHER STRUCTURAL SUBSTRATE MATERIAL.
5. WHERE WOOD BUCK THICKNESS IS 1-1/2" OR GREATER, BUCK SHALL BE SECURELY FASTENED TO MASONRY, CONCRETE OR OTHER STRUCTURAL SUBSTRATE. WINDOW UNITS MAY BE ANCHORED THROUGH FRAME TO SECURED WOOD BUCK IN ACCORDANCE WITH MANUFACTURER'S PUBLISHED INSTALLATION INSTRUCTIONS.
6. WHERE 1X BUCK IS NOT USED DISSIMILAR MATERIALS MUST BE SEPARATED WITH APPROVED COATING OR MEMBRANE. SELECTION OF COATING OR MEMBRANE IS THE RESPONSIBILITY OF THE ARCHITECT OR ENGINEER OF RECORD.
7. BUCKS SHALL EXTEND BEYOND WINDOW INTERIOR FACE SO THAT FULL FRAME SUPPORT IS PROVIDED.
8. SHIM AS REQUIRED AT EACH ANCHOR LOCATION WITH LOAD BEARING SHIM. SHIM WHERE SPACE OF 1/16" OR GREATER OCCURS. MAXIMUM ALLOWABLE SHIM STACK TO BE 1/4".
9. SHIMS SHALL BE LOCATED, APPLIED AND MADE FROM MATERIALS AND THICKNESS CAPABLE OF SUSTAINING APPLICABLE LOADS.
10. WIND LOAD DURATION FACTOR Cd=1.6 WAS USED FOR WOOD ANCHOR CALCULATIONS.
11. FRAME JAMB AND HEAD MATERIAL: CO-EXTRUDED PVC FOAM 1 1/2" THICK.
12. FRAME SILL MATERIAL: CO-EXTRUDED PVC FOAM 2" THICK WITH ALUMINUM CLADDING .063" THICK.
13. DOOR PANEL AND SIDELITE MATERIAL: .075" THICK FIBERGLASS SKIN WITH PVC FOAM TOP AND BOTTOM RAILS, AND PVC FOAM VERTICAL STILES WITH PINE REINFORCEMENTS AND POLYURETHANE FOAM CORE.
14. UNITS MUST BE GLAZED PER ASTM E1300, SEE SHEET 7 FOR GLAZING DETAILS.
15. APPROVED IMPACT PROTECTIVE SYSTEM IS REQUIRED FOR THIS PRODUCT IN WIND BORNE DEBRIS REGIONS.

16. FOR ANCHORING INTO WOOD FRAMING OR 2X BUCK USE #10 WOOD SCREWS WITH SUFFICIENT LENGTH TO ACHIEVE A 1 1/4" MINIMUM EMBEDMENT INTO SUBSTRATE. LOCATE ANCHORS AS SHOWN IN ELEVATIONS AND INSTALLATION DETAILS.
17. FOR ANCHORING INTO MASONRY/CONCRETE USE 3/16" TAPCONS WITH SUFFICIENT LENGTH TO ACHIEVE A 1 3/4" MINIMUM EMBEDMENT INTO SUBSTRATE WITH 2" MINIMUM EDGE DISTANCE. LOCATE ANCHORS AS SHOWN IN ELEVATIONS AND INSTALLATION DETAILS.
18. FOR ANCHORING INTO METAL STRUCTURE USE #10 SMS OR SELF DRILLING SCREWS WITH SUFFICIENT LENGTH TO ACHIEVE 3 THREADS MINIMUM BEYOND STRUCTURE INTERIOR WALL. LOCATE ANCHORS AS SHOWN IN ELEVATIONS AND INSTALLATION DETAILS.
19. ALL FASTENERS TO BE CORROSION RESISTANT.
20. INSTALLATION ANCHORS SHALL BE INSTALLED IN ACCORDANCE WITH ANCHOR MANUFACTURER'S INSTALLATION INSTRUCTIONS AND ANCHORS SHALL NOT BE USED IN SUBSTRATES WITH STRENGTHS LESS THAN THE MINIMUM STRENGTH SPECIFIED BELOW:
  - A. WOOD - MINIMUM SPECIFIC GRAVITY OF G=0.42
  - B. CONCRETE - MINIMUM COMPRESSIVE STRENGTH OF 3,200 PSI.
  - C. MASONRY - GROUT FILLED BLOCK PER ASTM C90 WITH Fm=2,000PSI MINIMUM.
  - D. METAL STRUCTURE: STEEL 18GA, 33KSI OR ALUMINUM 6063-T5 .125" THICK MINIMUM
21. APPROVED CONFIGURATIONS: O, X, OX, XO, XX, OXO, XXO, OXX AND OXXO.
22. HINGES LOCATED AT 9", 34 1/2", 60" AND 85 5/8" FROM BOTTOM OF PANEL.

TABLE OF CONTENTS	
SHEET NO.	DESCRIPTION
1	NOTES
2	ELEVATION
3	ADDITIONAL CONFIGURATIONS
4 - 5	ANCHORING LAYOUTS
6 - 13	INSTALLATION DETAILS

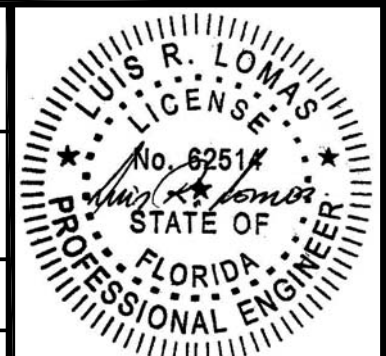
NAN YA PLASTICS CORPORATION U.S.A.  
8989 NORTH LOOP EAST  
HOUSTON, TX 77029

OUTSWING PATIO DOOR W/SIDELITES  
FIBERGLASS GLAZED  
NOTES

DRAWN: V.L.	DWG NO. 08-01551	REV C
SCALE NTS	DATE 05/02/12	SHEET 1 OF 13

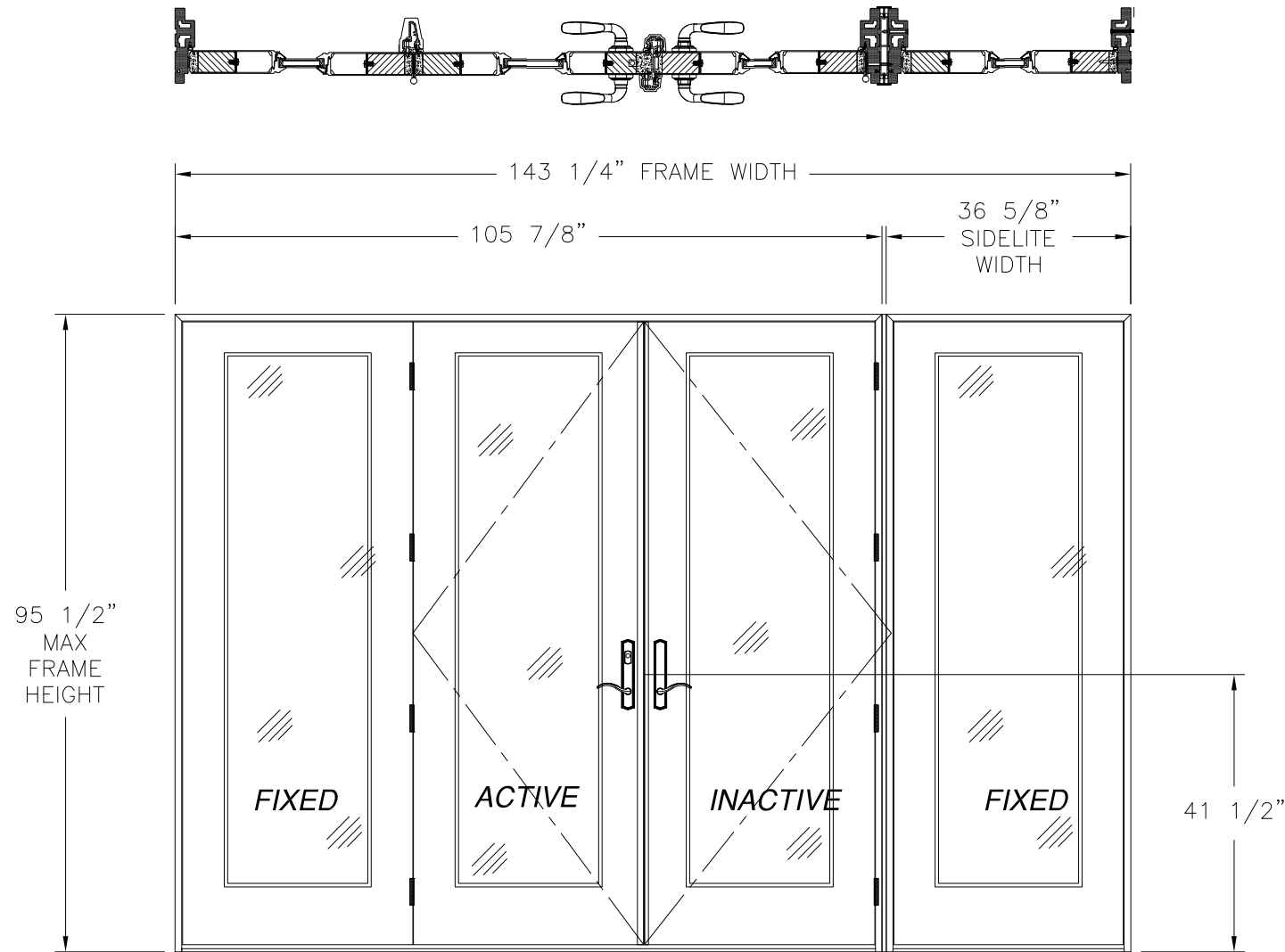
L. ROBERTO LOMAS P.E.  
1432 WOODFORD RD LEWISVILLE, NC 27023  
434-688-0609 rllomas@rllomaspe.com

SIGNED: 05/17/2021



Luis R. Lomas P.E.  
FL No.: 62514

REVISIONS			
REV	DESCRIPTION	DATE	APPROVED
C	REVISED TO ADD GLAZING DETAILS	05/07/2021	R.L.



- NOTES:
- PANEL SIZE: 34 1/2" X 93 5/16"
  - D.L.O.: 21" X 79"

**OUT-SWING PATIO DOUBLE DOOR W/ SIDELITES**  
EXTERIOR VIEW

DESIGN PRESSURE RATING	IMPACT RATING
±70PSF	NONE

(4) PANELS SHOWN, UNLIMITED NUMBER OF PANELS IN UNLIMITED CONFIGURATIONS ARE APPROVED AS LONG AS INDIVIDUAL PANEL AREA DOES NOT EXCEED 11.52 FT<sup>2</sup>

**HARDWARE SCHEDULE**

- A. (3) 4" BUTT HINGE
- B. 3 POINT LOCK SYSTEM (ACTIVE PANEL)
- C. RIGID PVC ASTRAGAL WITH ALUMINUM REINFORCEMENT

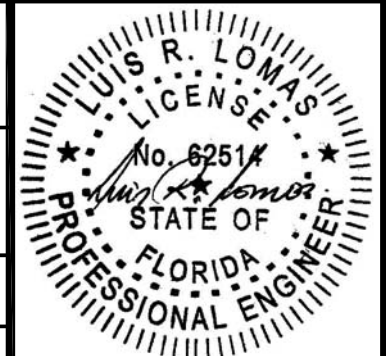
SIGNED: 05/17/2021

NAN YA PLASTICS CORPORATION U.S.A.  
8989 NORTH LOOP EAST  
HOUSTON, TX 77029

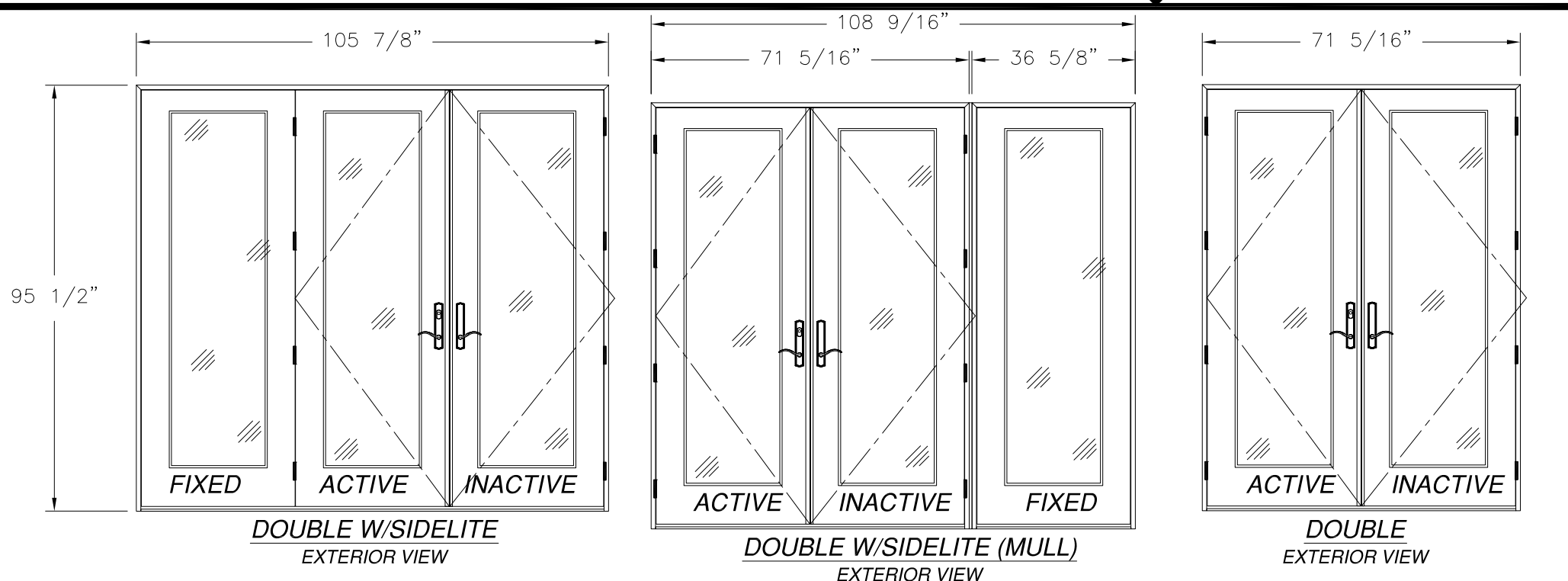
OUTSWING PATIO DOOR W/SIDELITES  
FIBERGLASS GLAZED  
ELEVATION

DRAWN: V.L.	DWG NO. 08-01551	REV C
SCALE NTS	DATE 05/02/12	SHEET 2 OF 13

L. ROBERTO LOMAS P.E.  
1432 WOODFORD RD LEWISVILLE, NC 27023  
434-688-0609 rllomas@lrlomaspe.com



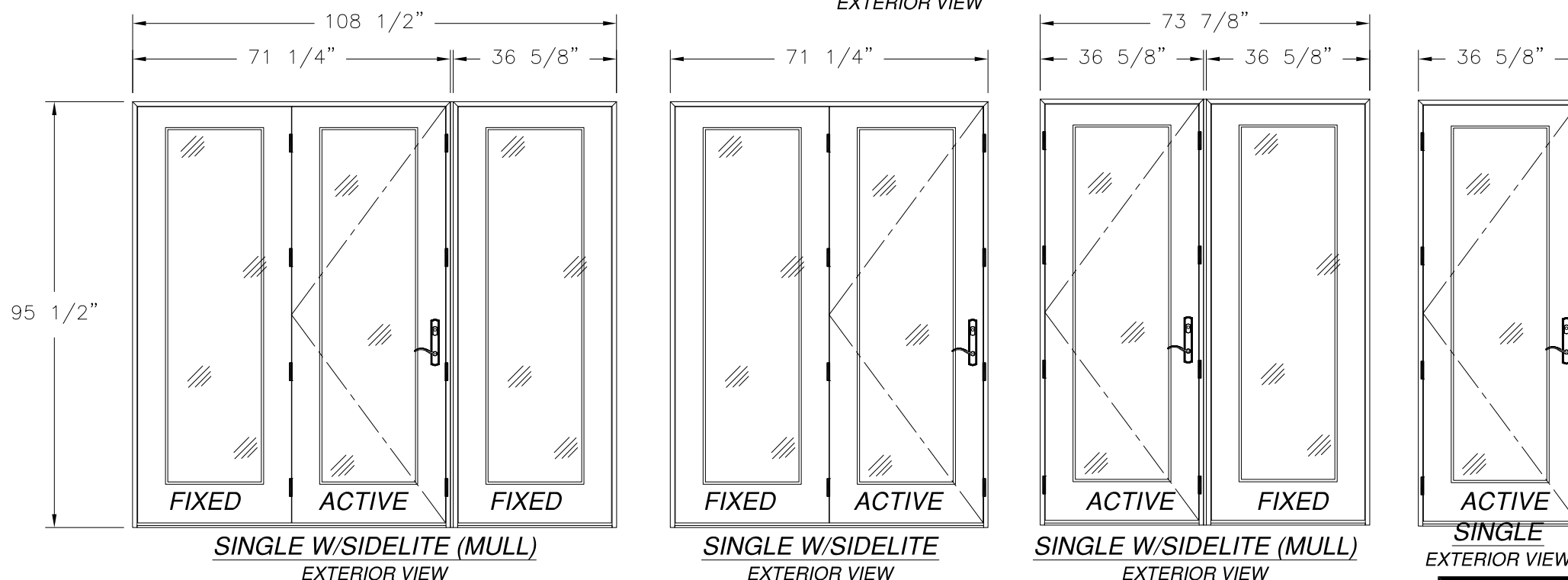
Luis R. Lomas P.E.  
FL No.: 62514



**DOUBLE W/SIDELITE**  
EXTERIOR VIEW

**DOUBLE W/SIDELITE (MULL)**  
EXTERIOR VIEW

**DOUBLE**  
EXTERIOR VIEW



**SINGLE W/SIDELITE (MULL)**  
EXTERIOR VIEW

**SINGLE W/SIDELITE**  
EXTERIOR VIEW

**SINGLE W/SIDELITE (MULL)**  
EXTERIOR VIEW

**SINGLE**  
EXTERIOR VIEW

REVISIONS			
REV	DESCRIPTION	DATE	APPROVED
C	REVISED TO ADD GLAZING DETAILS	05/07/2021	R.L.

NOTE:  
ALL APPROVED CONFIGURATIONS ARE SHOWN AS LEFT  
HAND ACTIVE, RIGHT HAND ACTIVE IS ALSO APPROVED.

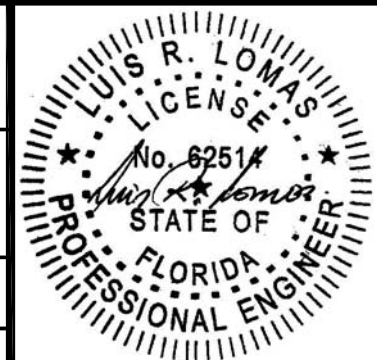
**NAN YA PLASTICS CORPORATION U.S.A.**  
8989 NORTH LOOP EAST  
HOUSTON, TX 77029

OUTSWING PATIO DOOR W/SIDELITES  
FIBERGLASS GLAZED  
APPROVED CONFIGURATIONS

DRAWN: V.L.	DWG NO. 08-01551	REV C
SCALE NTS	DATE 05/02/12	SHEET 3 OF 13

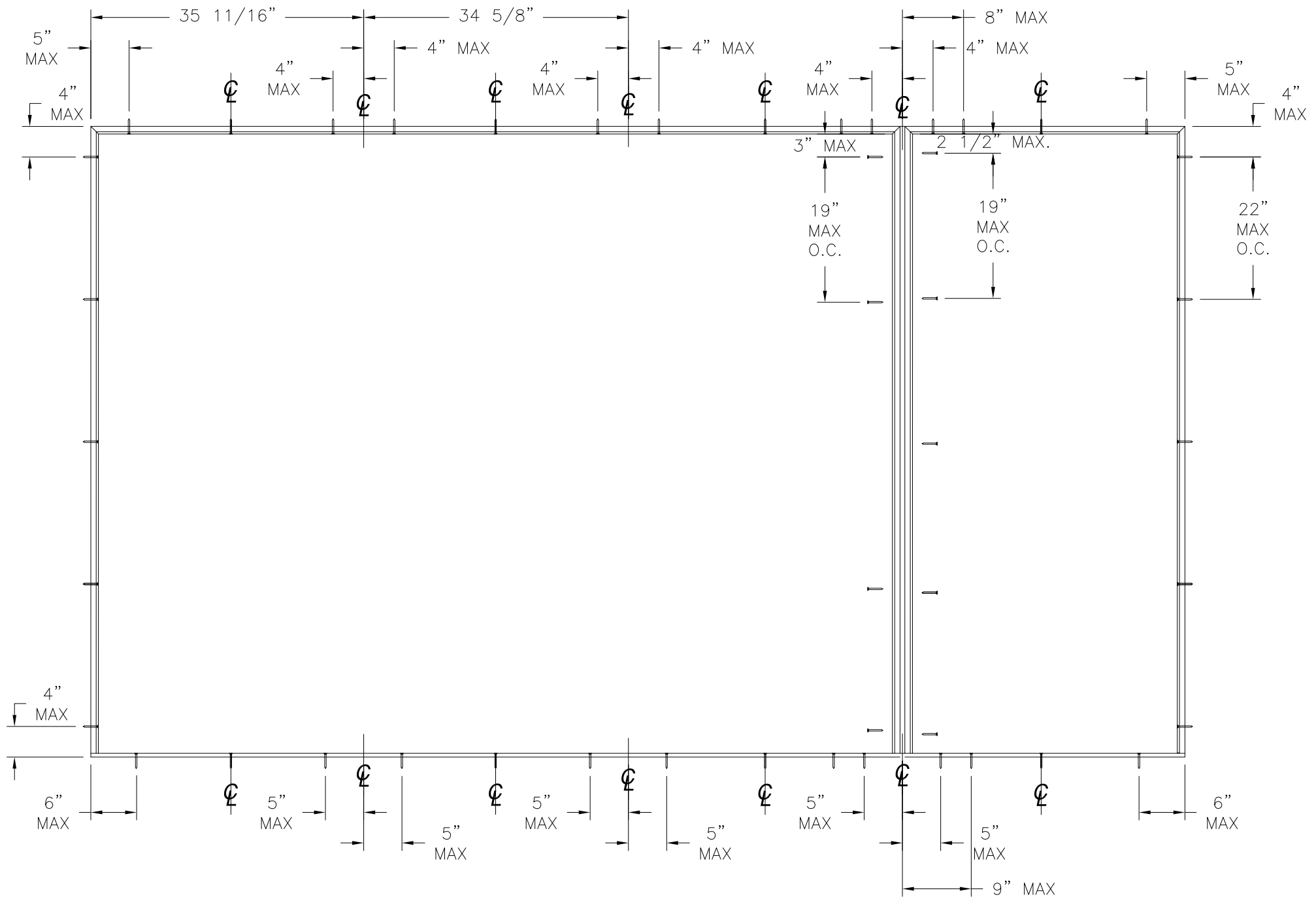
L. ROBERTO LOMAS P.E.  
1432 WOODFORD RD LEWISVILLE, NC 27023  
434-688-0609 rllomas@rlomaspe.com

SIGNED: 05/17/2021



Luis R. Lomas P.E.  
FL No.: 62514

REVISIONS			
REV	DESCRIPTION	DATE	APPROVED
C	REVISED TO ADD GLAZING DETAILS	05/07/2021	R.L.



ANCHORING LAYOUT

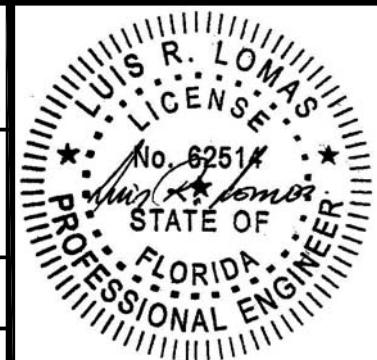
SIGNED: 05/17/2021

NAN YA PLASTICS CORPORATION U.S.A.  
 8989 NORTH LOOP EAST  
 HOUSTON, TX 77029

OUTSWING PATIO DOOR W/SIDELITES  
 FIBERGLASS GLAZED  
 ANCHORING LAYOUT

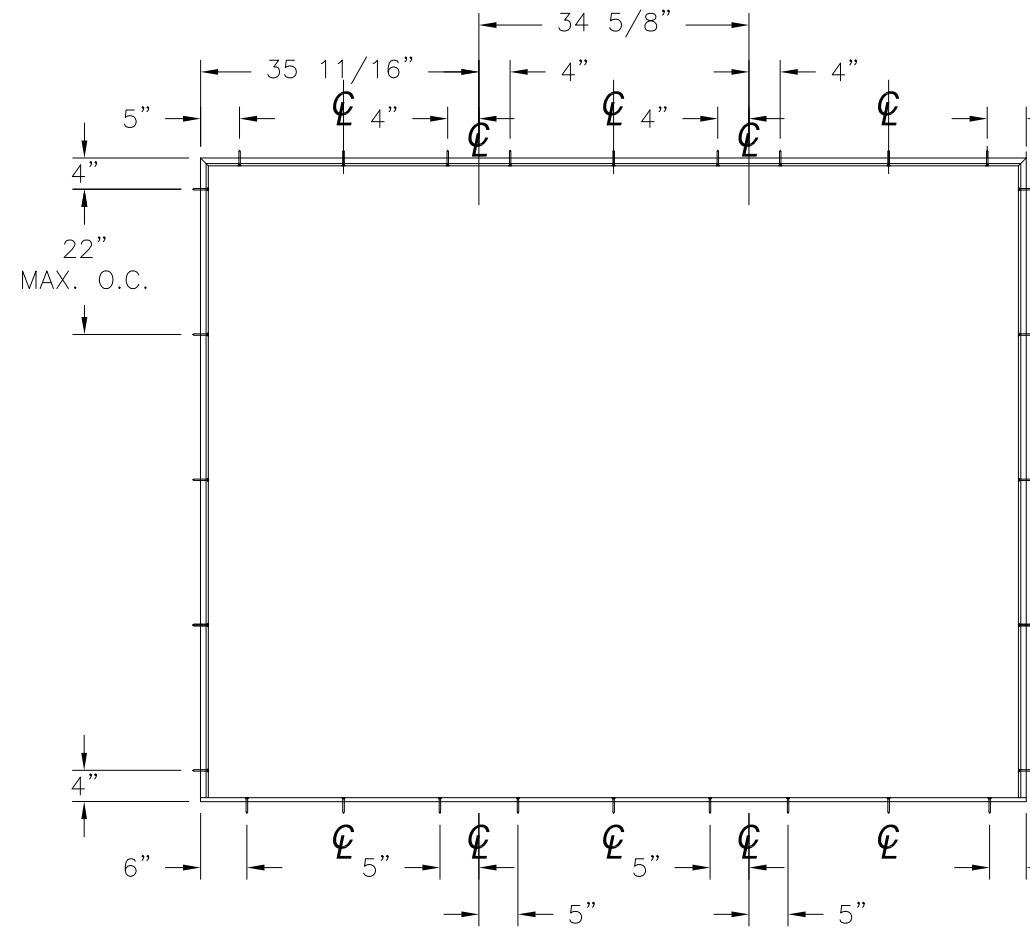
DRAWN: V.L.	DWG NO. 08-01551	REV C
SCALE NTS	DATE 05/02/12	SHEET 4 OF 13

L. ROBERTO LOMAS P.E.  
 1432 WOODFORD RD LEWISVILLE, NC 27023  
 434-688-0609 rllomas@rlomaspe.com

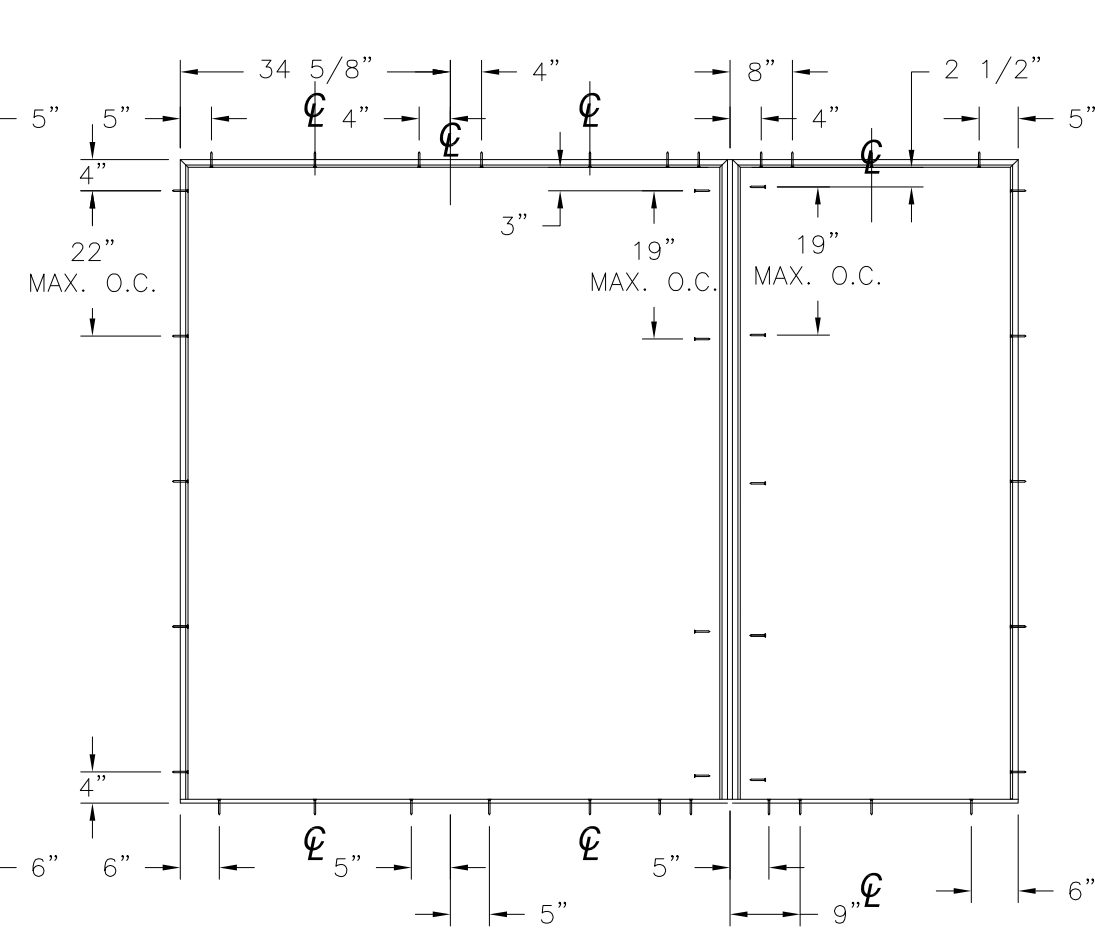


Luis R. Lomas P.E.  
 FL No.: 62514

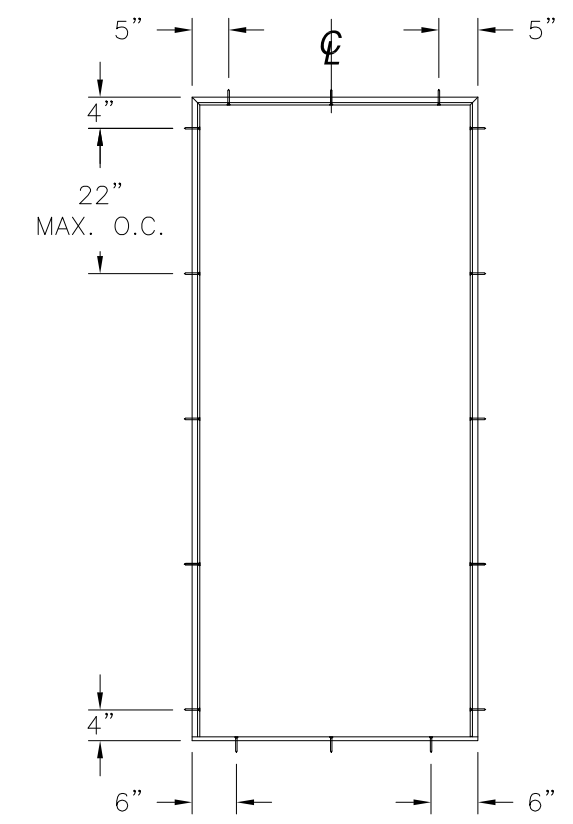
REVISIONS			
REV	DESCRIPTION	DATE	APPROVED
C	REVISED TO ADD GLAZING DETAILS	05/07/2021	R.L.



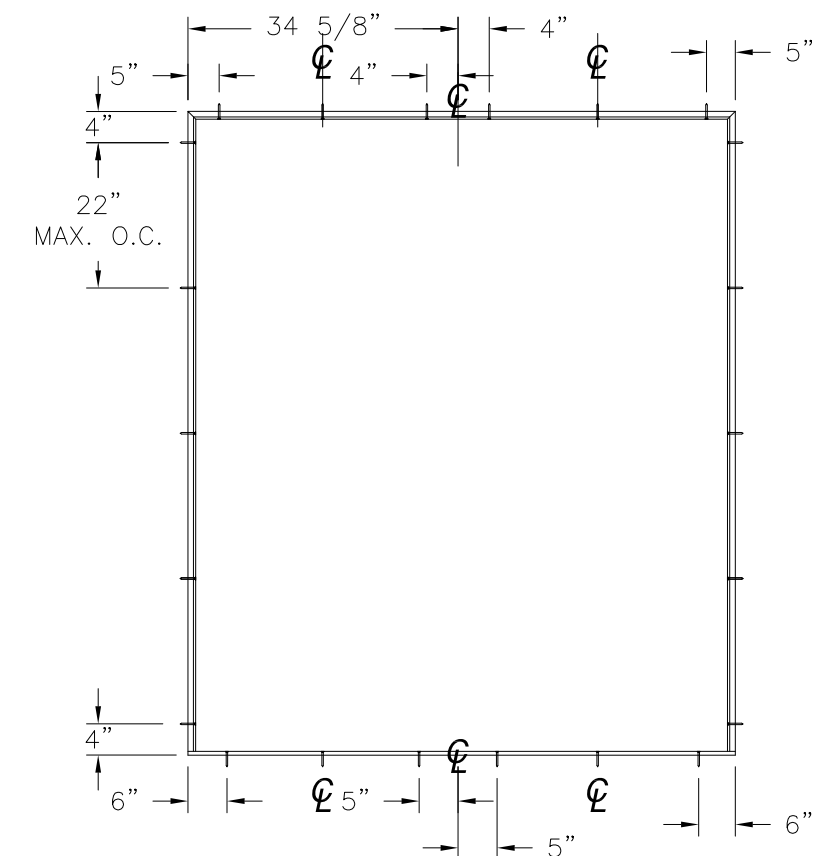
**ANCHORING LAYOUT FOR OXO, XXO AND OXX**



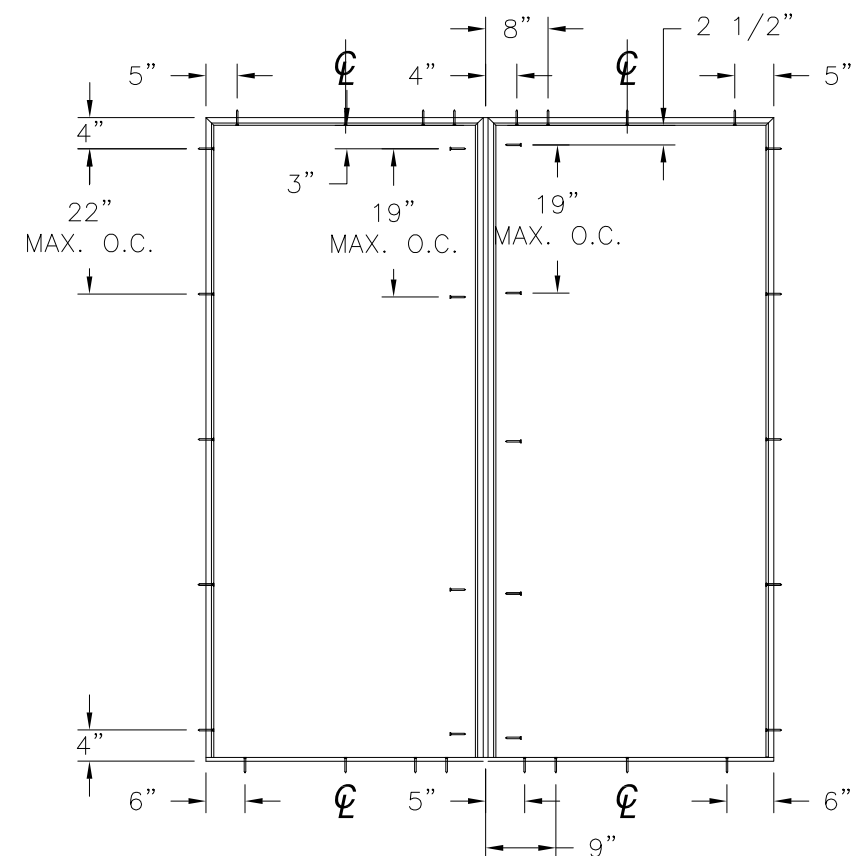
**ANCHORING LAYOUT FOR OXO, XXO AND OXX (MULL)**



**ANCHORING LAYOUT FOR X**



**ANCHORING LAYOUT FOR XX, OX AND XO**



**ANCHORING LAYOUT FOR OX AND XO (MULL)**

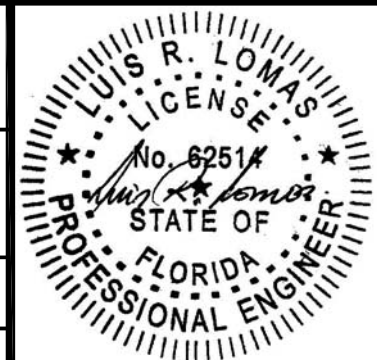
NAN YA PLASTICS CORPORATION U.S.A.  
 8989 NORTH LOOP EAST  
 HOUSTON, TX 77029

OUTSWING PATIO DOOR W/SIDELITES  
 FIBERGLASS GLAZED  
 ANCHORING LAYOUT

DRAWN: V.L.	DWG NO. 08-01551	REV C
SCALE NTS	DATE 05/02/12	SHEET 5 OF 13

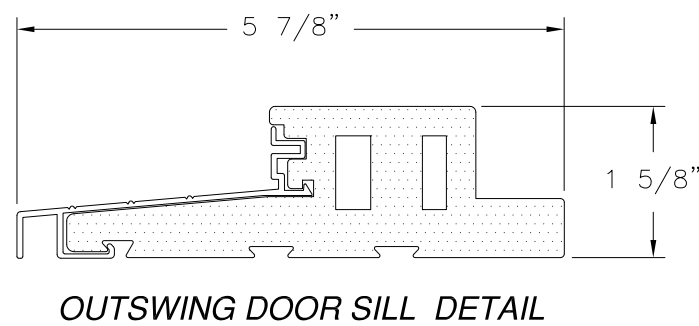
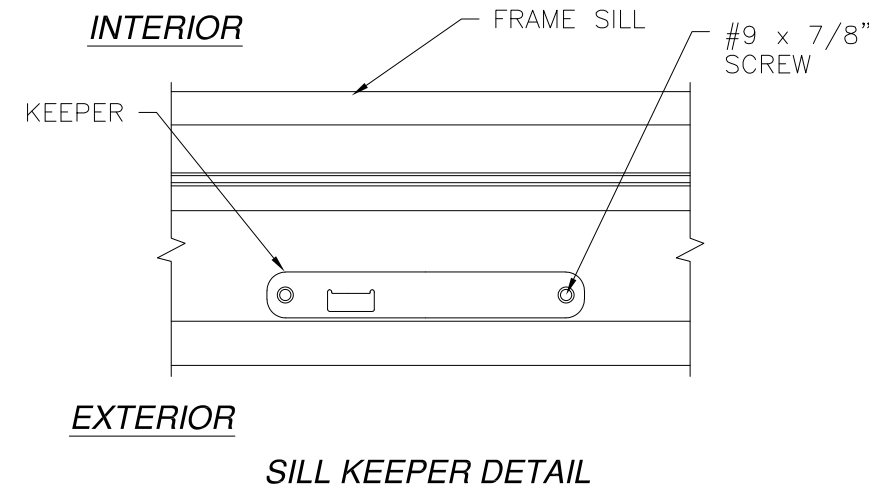
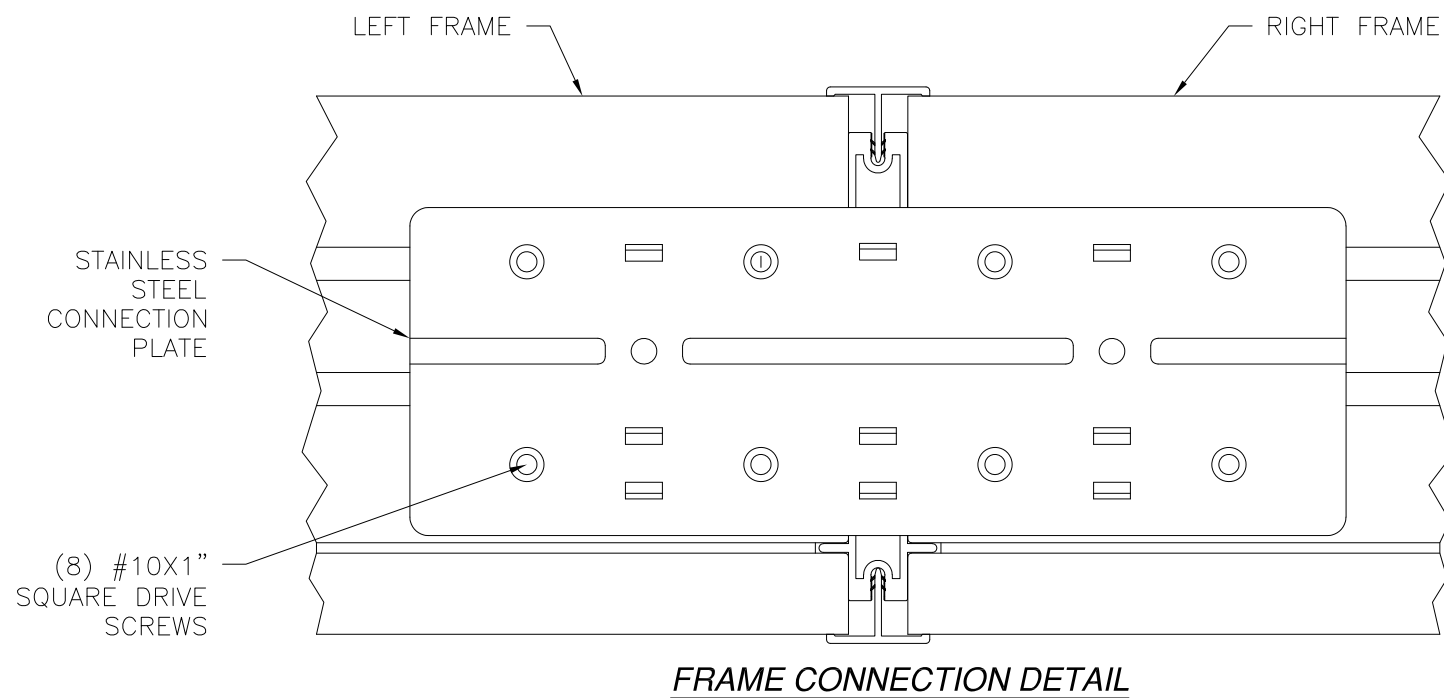
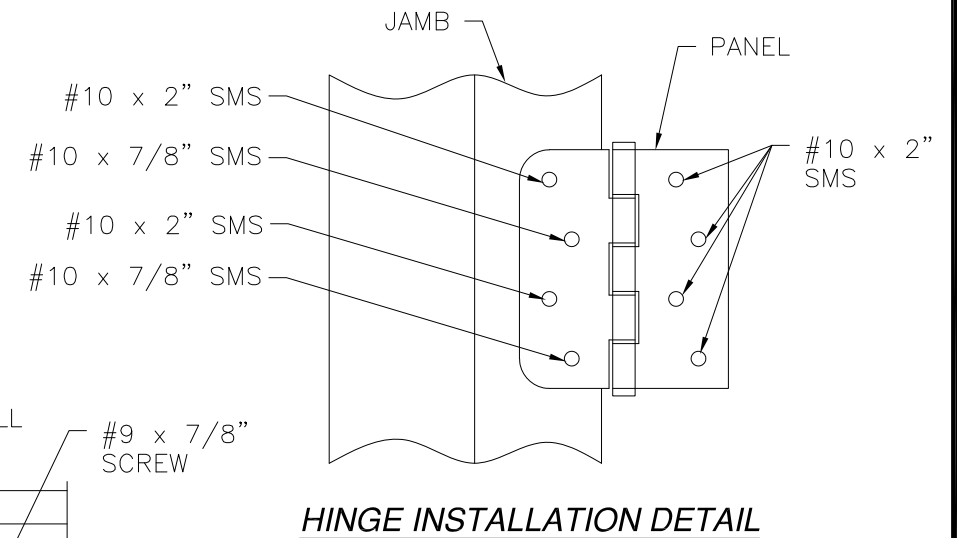
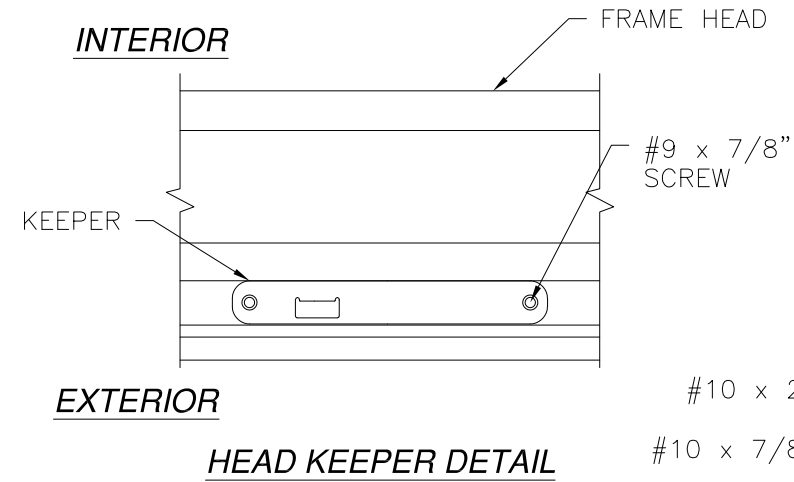
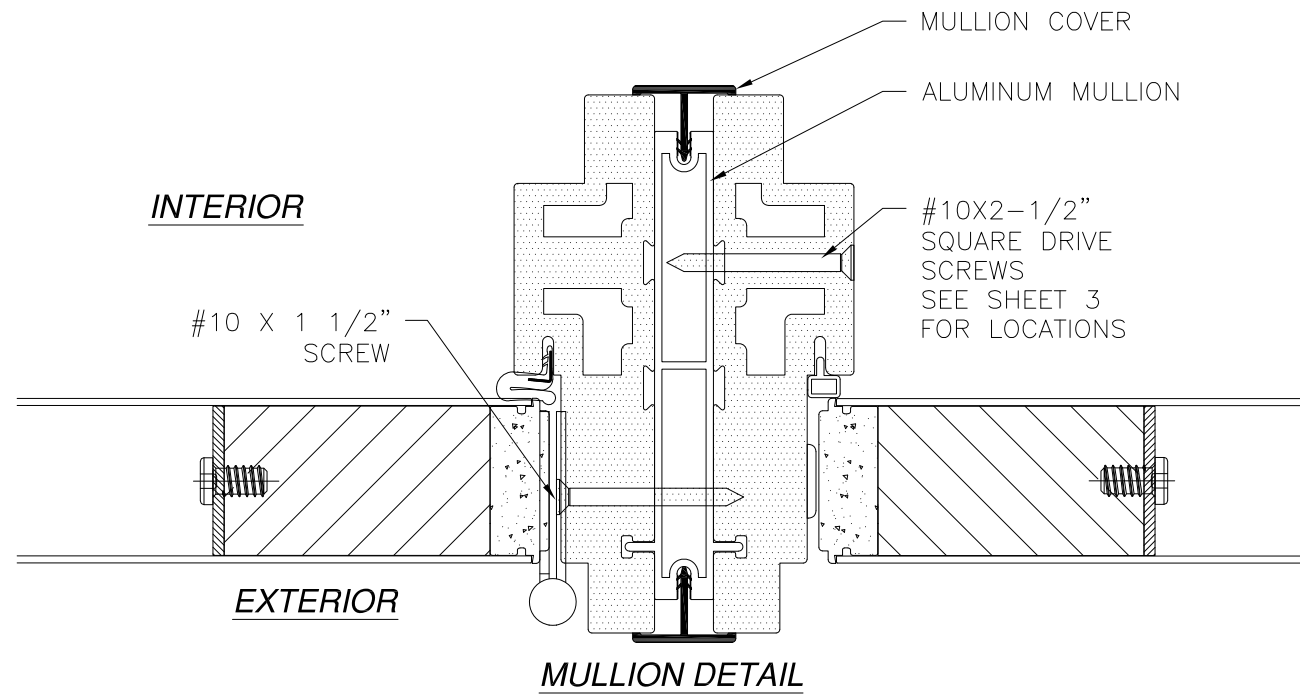
L. ROBERTO LOMAS P.E.  
 1432 WOODFORD RD LEWISVILLE, NC 27023  
 434-688-0609 rllomas@rlomaspe.com

SIGNED: 05/17/2021



Luis R. Lomas P.E.  
 FL No.: 62514

REVISIONS			
REV	DESCRIPTION	DATE	APPROVED
C	REVISED TO ADD GLAZING DETAILS	05/07/2021	R.L.



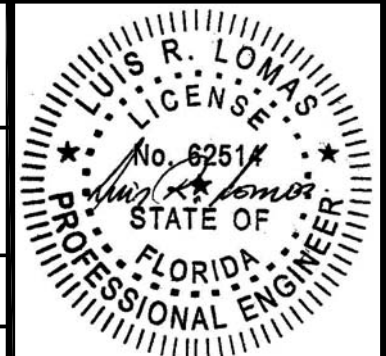
SIGNED: 05/17/2021

NAN YA PLASTICS CORPORATION U.S.A.  
 8989 NORTH LOOP EAST  
 HOUSTON, TX 77029

OUTSWING PATIO DOOR W/SIDELITES  
 FIBERGLASS GLAZED  
 INSTALLATION DETAILS

DRAWN: V.L.	DWG NO. 08-01551	REV C
SCALE NTS	DATE 05/02/12	SHEET 6 OF 13

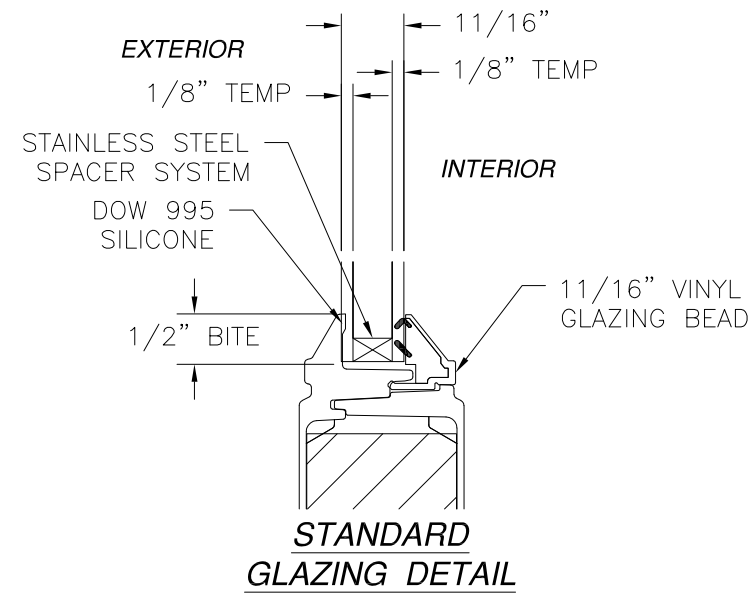
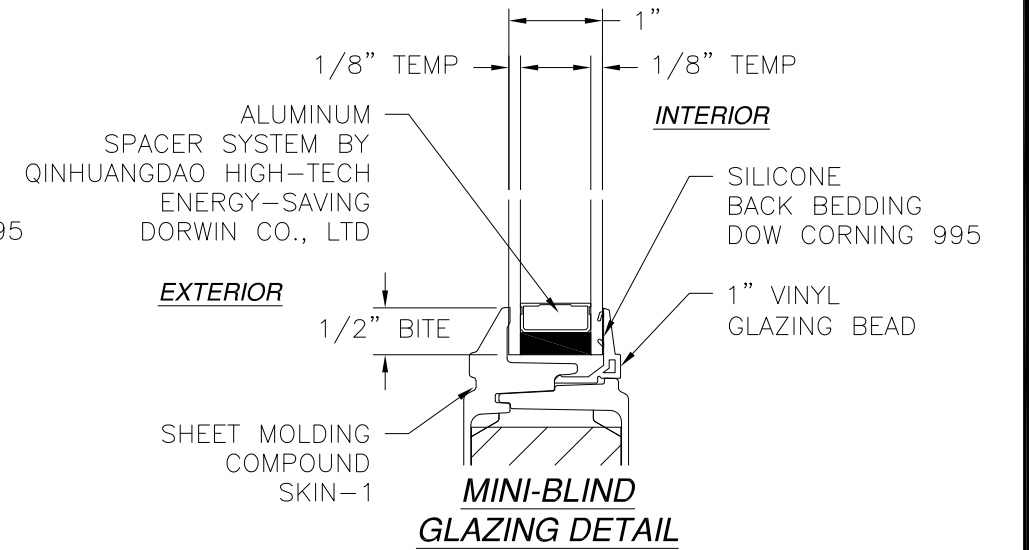
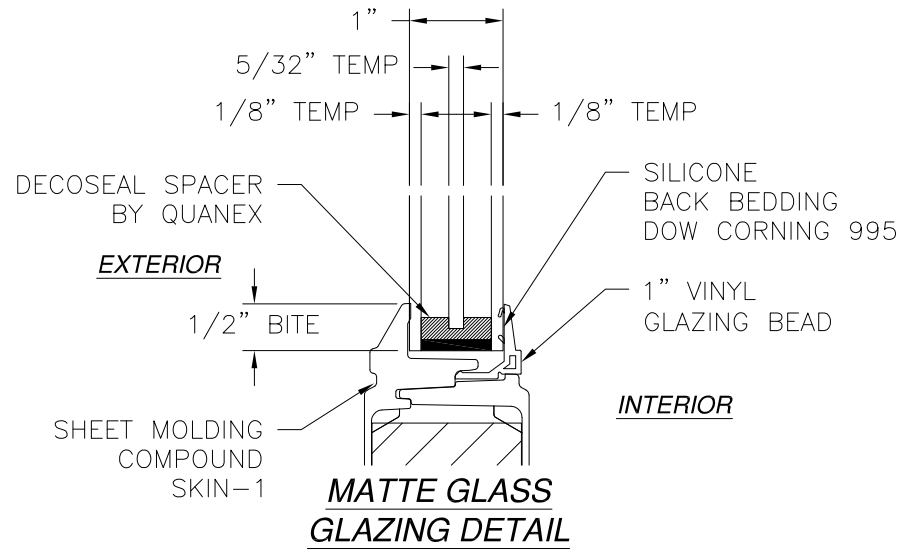
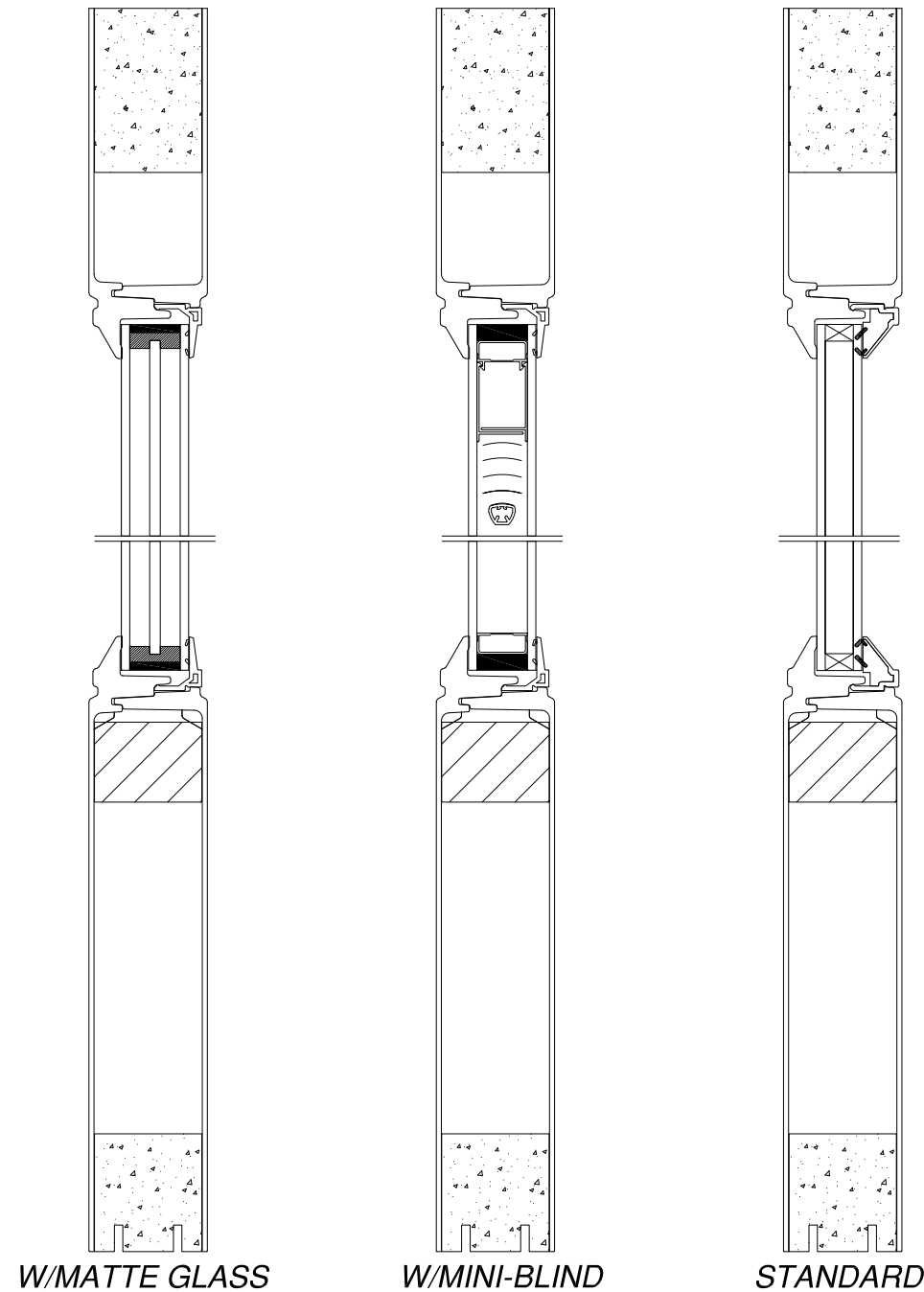
L. ROBERTO LOMAS P.E.  
 1432 WOODFORD RD LEWISVILLE, NC 27023  
 434-688-0609 rllomas@lrlomaspe.com



Luis R. Lomas P.E.  
 FL No.: 62514

REVISIONS			
REV	DESCRIPTION	DATE	APPROVED
C	REVISED TO ADD GLAZING DETAILS	05/07/2021	R.L.

**APPROVED PANEL CONFIGURATIONS**



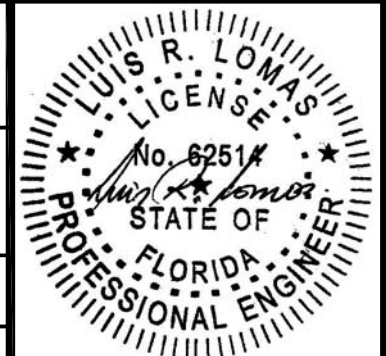
SIGNED: 05/17/2021

**NAN YA PLASTIC FRAME CONNECTION DETAIL**  
 8989 NORTH LOOP EAST  
 HOUSTON, TX 77029

OUTSWING PATIO DOOR W/SIDELITES  
 FIBERGLASS GLAZED  
 GLAZING DETAILS

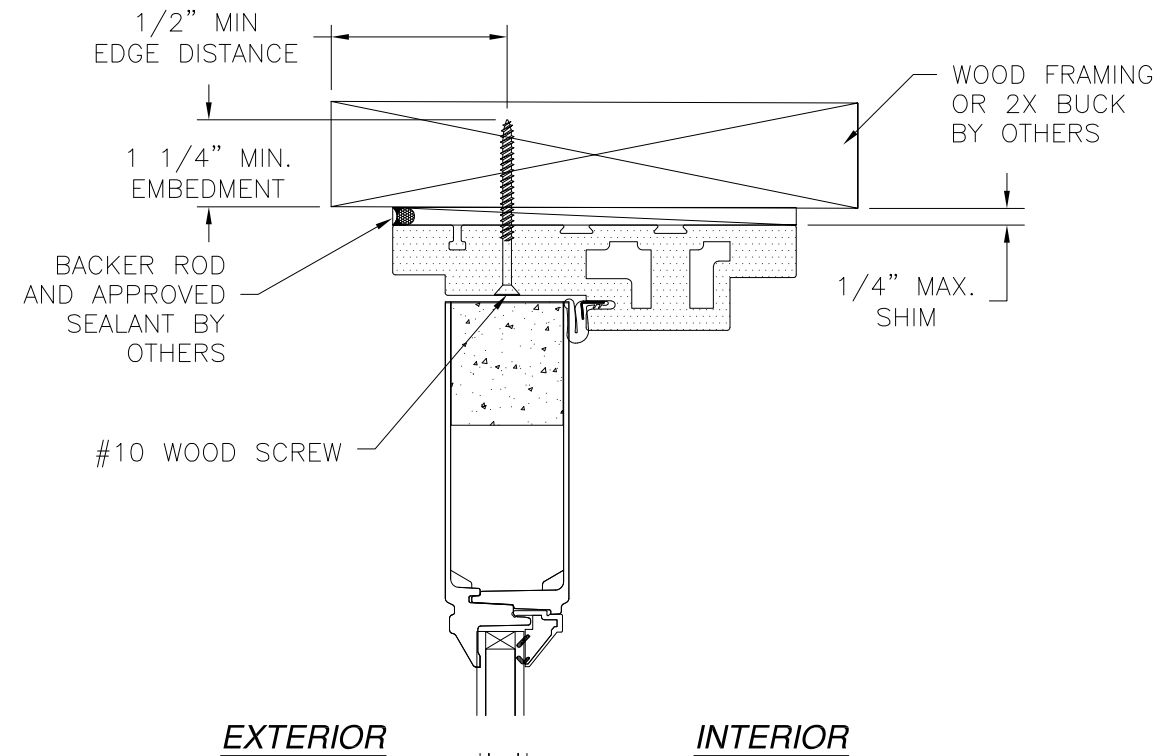
DRAWN: V.L.	DWG NO. 08-01551	REV C
SCALE NTS	DATE 05/02/12	SHEET 7 OF 13

L. ROBERTO LOMAS P.E.  
 1432 WOODFORD RD LEWISVILLE, NC 27023  
 434-688-0609 rllomas@rlomaspe.com

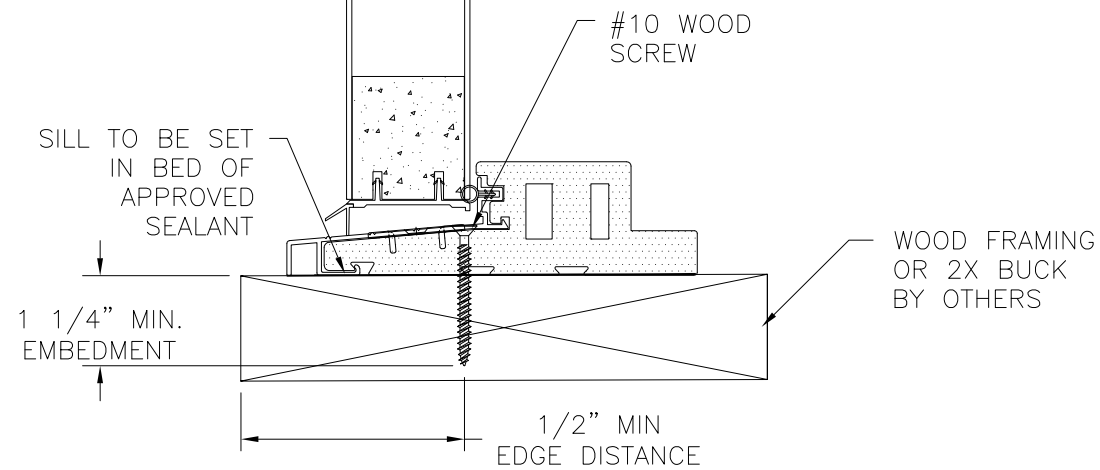


Luis R. Lomas P.E.  
 FL No.: 62514

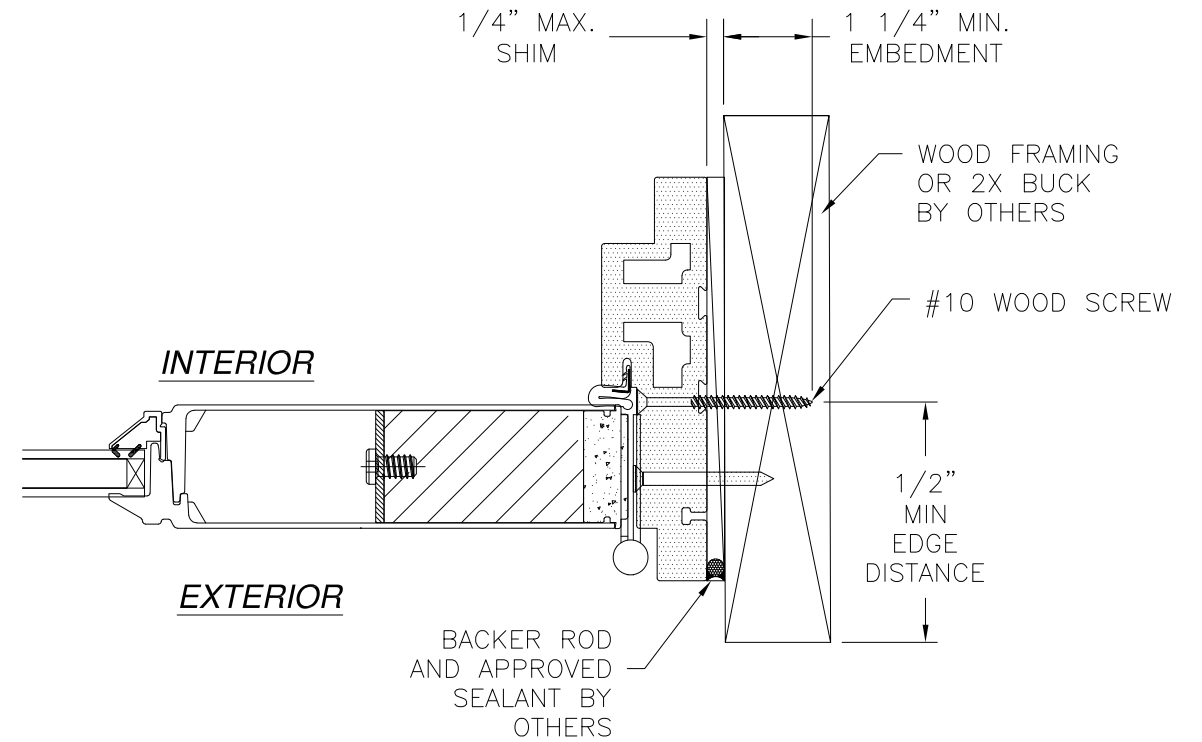
REVISIONS			
REV	DESCRIPTION	DATE	APPROVED
C	REVISED TO ADD GLAZING DETAILS	05/07/2021	R.L.



**EXTERIOR**                      **INTERIOR**



**DOOR VERTICAL CROSS SECTION**  
**2X BUCK/WOOD FRAMING INSTALLATION**

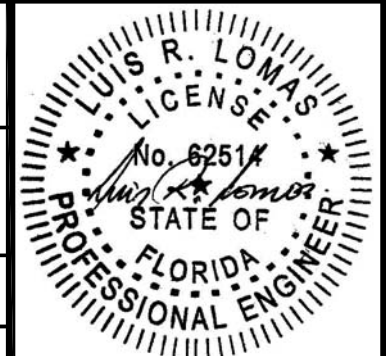


**DOOR HORIZONTAL CROSS SECTION**  
**2X BUCK/WOOD FRAMING INSTALLATION**

- NOTES:**
1. INTERIOR AND EXTERIOR FINISHES, BY OTHERS, NOT SHOWN FOR CLARITY.
  2. PERIMETER AND JOINT SEALANT BY OTHERS TO BE DESIGNED IN ACCORDANCE WITH ASTM E2112

SIGNED: 05/17/2021

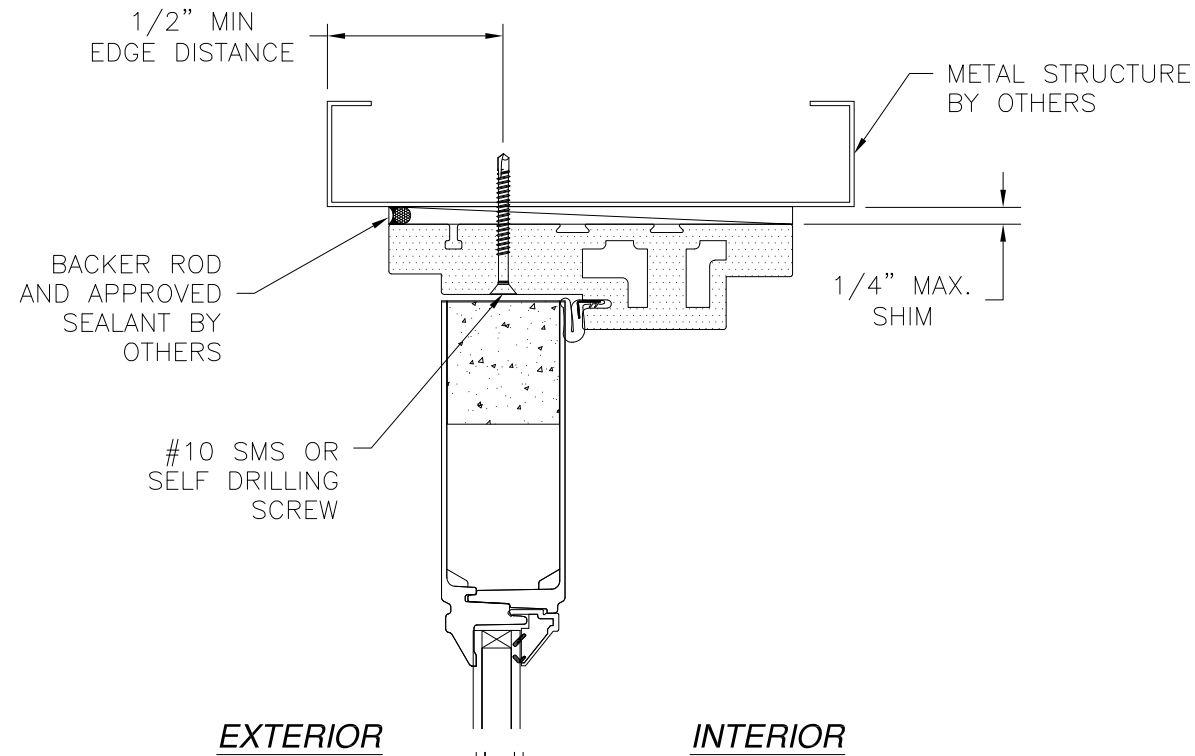
<b>NAN YA PLASTICS CORPORATION U.S.A.</b> 8989 NORTH LOOP EAST HOUSTON, TX 77029		
OUTSWING PATIO DOOR W/SIDELITES FIBERGLASS GLAZED INSTALLATION DETAILS		
DRAWN: V.L.	DWG NO. 08-01551	REV C
SCALE NTS	DATE 05/02/12	SHEET 8 OF 13
L. ROBERTO LOMAS P.E. 1432 WOODFORD RD LEWISVILLE, NC 27023 434-688-0609 rllomas@rlomaspe.com		



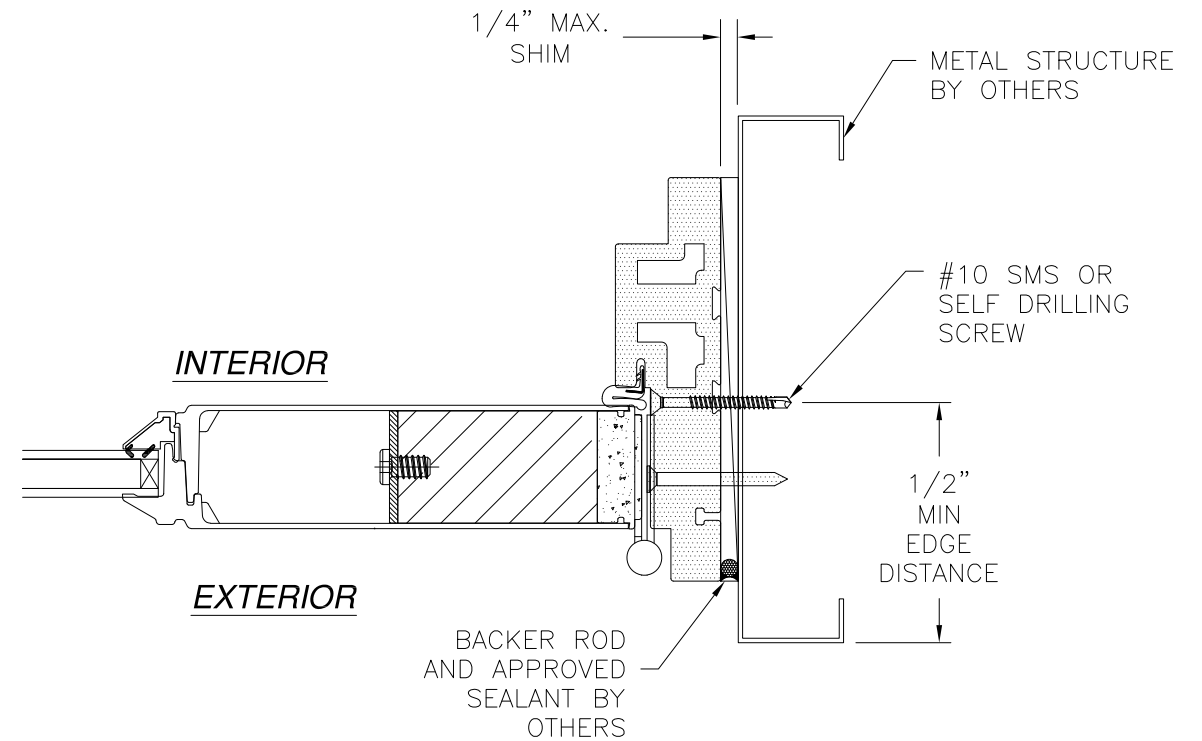
Luis R. Lomas P.E.  
FL No.: 62514



REVISIONS			
REV	DESCRIPTION	DATE	APPROVED
C	REVISED TO ADD GLAZING DETAILS	05/07/2021	R.L.

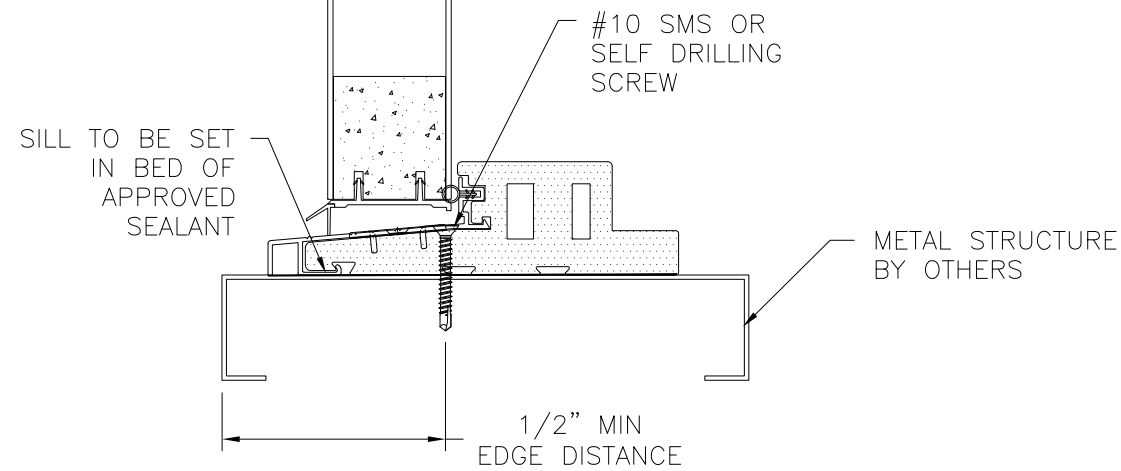


**DOOR VERTICAL CROSS SECTION**  
METAL STRUCTURE INSTALLATION



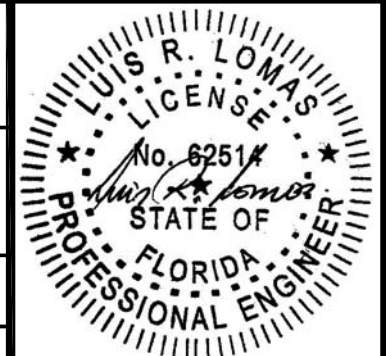
**DOOR HORIZONTAL CROSS SECTION**  
METAL STRUCTURE INSTALLATION

- NOTES:**
1. INTERIOR AND EXTERIOR FINISHES, BY OTHERS, NOT SHOWN FOR CLARITY.
  2. PERIMETER AND JOINT SEALANT BY OTHERS TO BE DESIGNED IN ACCORDANCE WITH ASTM E2112



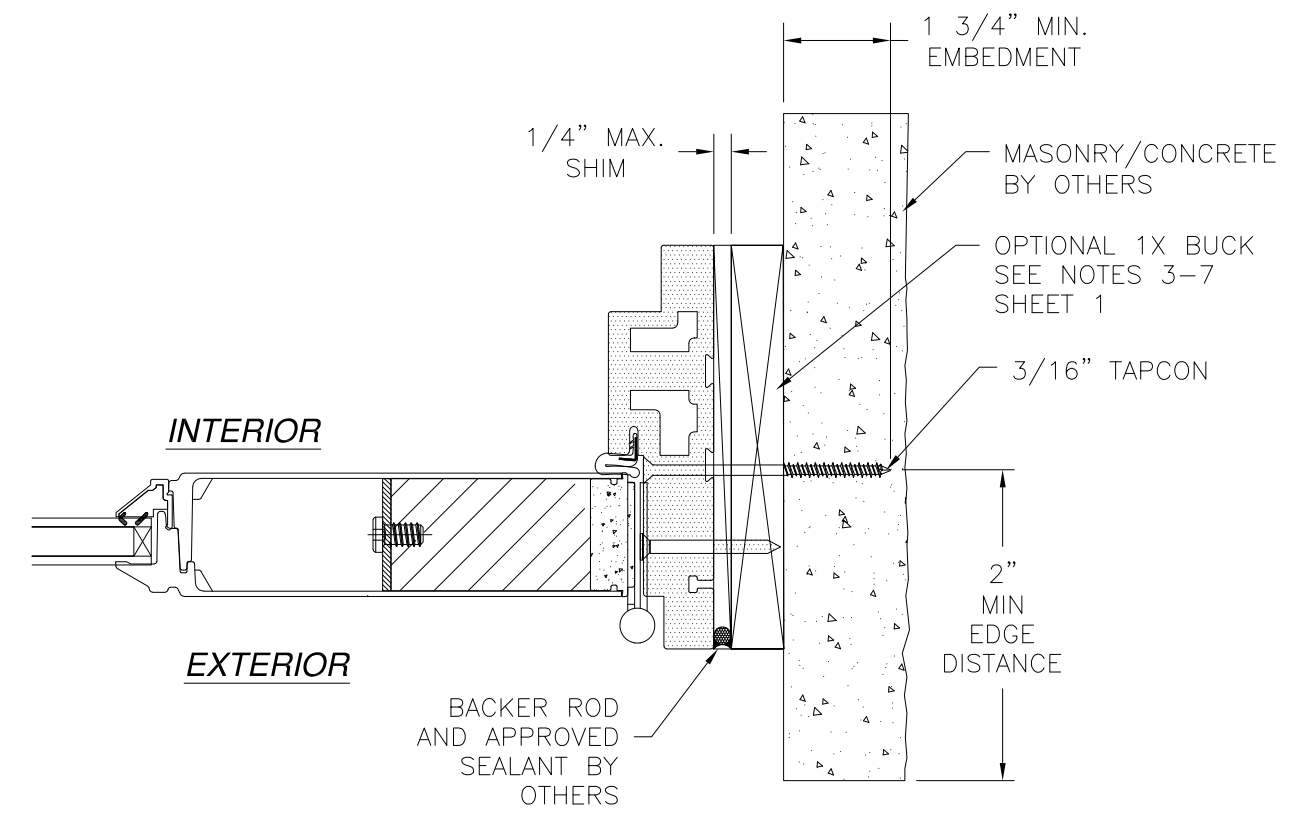
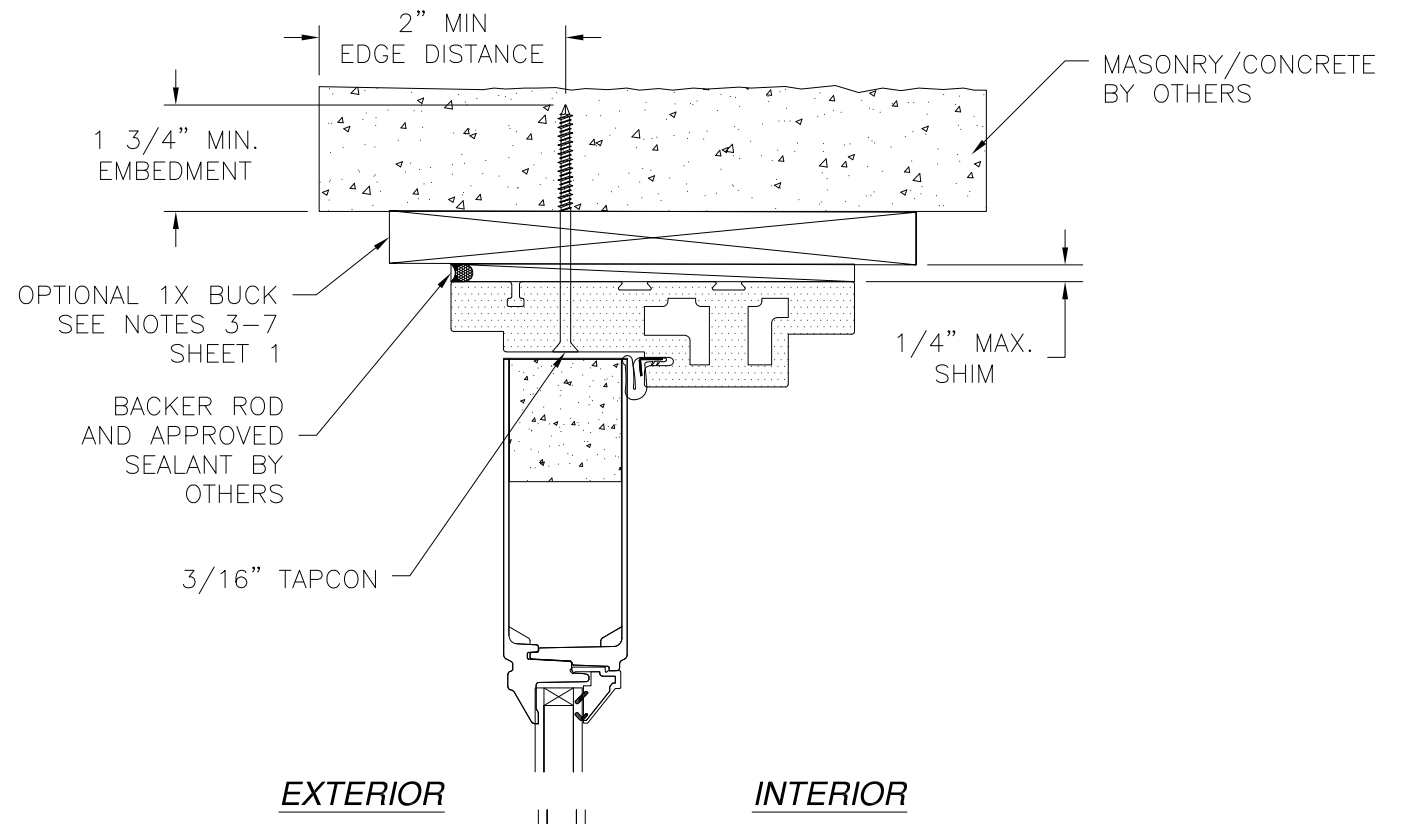
SIGNED: 05/17/2021

<p>NAN YA PLASTICS CORPORATION U.S.A. 8989 NORTH LOOP EAST HOUSTON, TX 77029</p>		
<p>OUTSWING PATIO DOOR W/SIDELITES FIBERGLASS GLAZED INSTALLATION DETAILS</p>		
<p>DRAWN: V.L.</p>	<p>DWG NO. 08-01551</p>	<p>REV C</p>
<p>SCALE NTS</p>	<p>DATE 05/02/12</p>	<p>SHEET 9 OF 13</p>
<p>L. ROBERTO LOMAS P.E. 1432 WOODFORD RD LEWISVILLE, NC 27023 434-688-0609 rllomas@rlomaspe.com</p>		

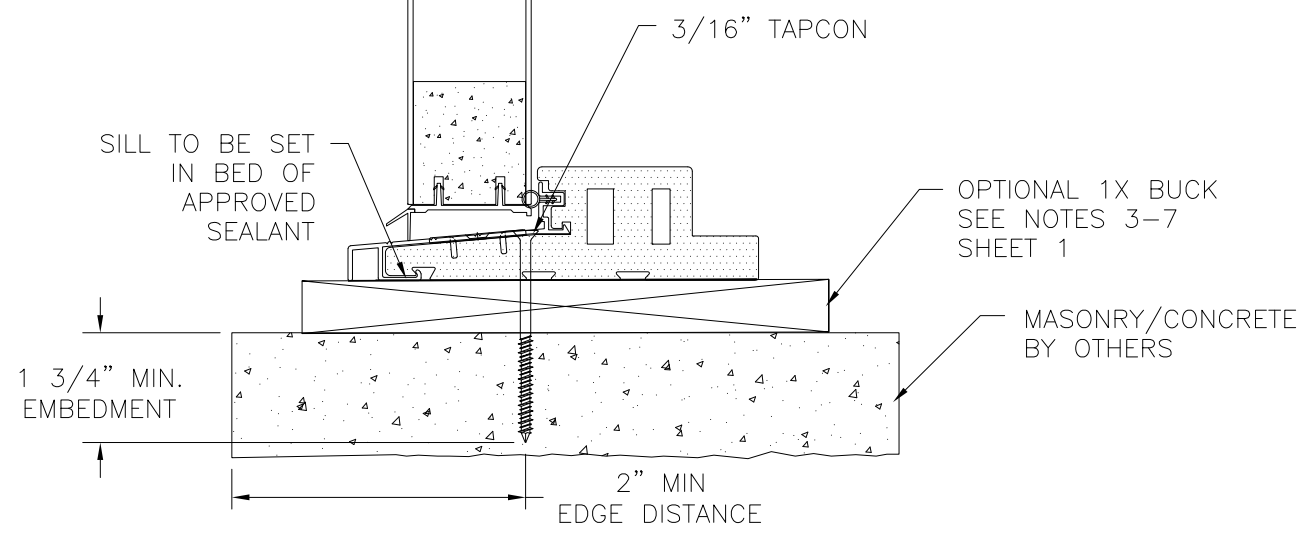


Luis R. Lomas P.E.  
FL No.: 62514

REVISIONS			
REV	DESCRIPTION	DATE	APPROVED
C	REVISED TO ADD GLAZING DETAILS	05/07/2021	R.L.



**DOOR HORIZONTAL CROSS SECTION**  
MASONRY/CONCRETE INSTALLATION



**DOOR VERTICAL CROSS SECTION**  
MASONRY/CONCRETE INSTALLATION

- NOTES:**
1. INTERIOR AND EXTERIOR FINISHES, BY OTHERS, NOT SHOWN FOR CLARITY.
  2. PERIMETER AND JOINT SEALANT BY OTHERS TO BE DESIGNED IN ACCORDANCE WITH ASTM E2112

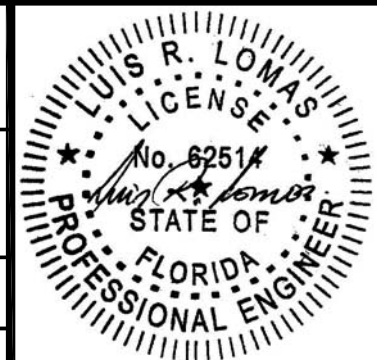
SIGNED: 05/17/2021

NAN YA PLASTICS CORPORATION U.S.A.  
8989 NORTH LOOP EAST  
HOUSTON, TX 77029

OUTSWING PATIO DOOR W/SIDELITES  
FIBERGLASS GLAZED  
INSTALLATION DETAILS

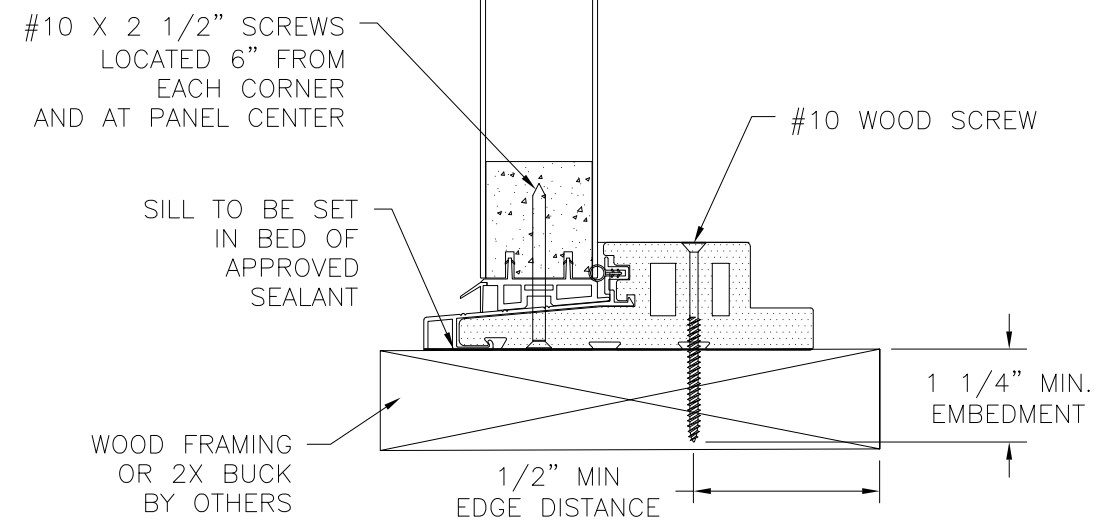
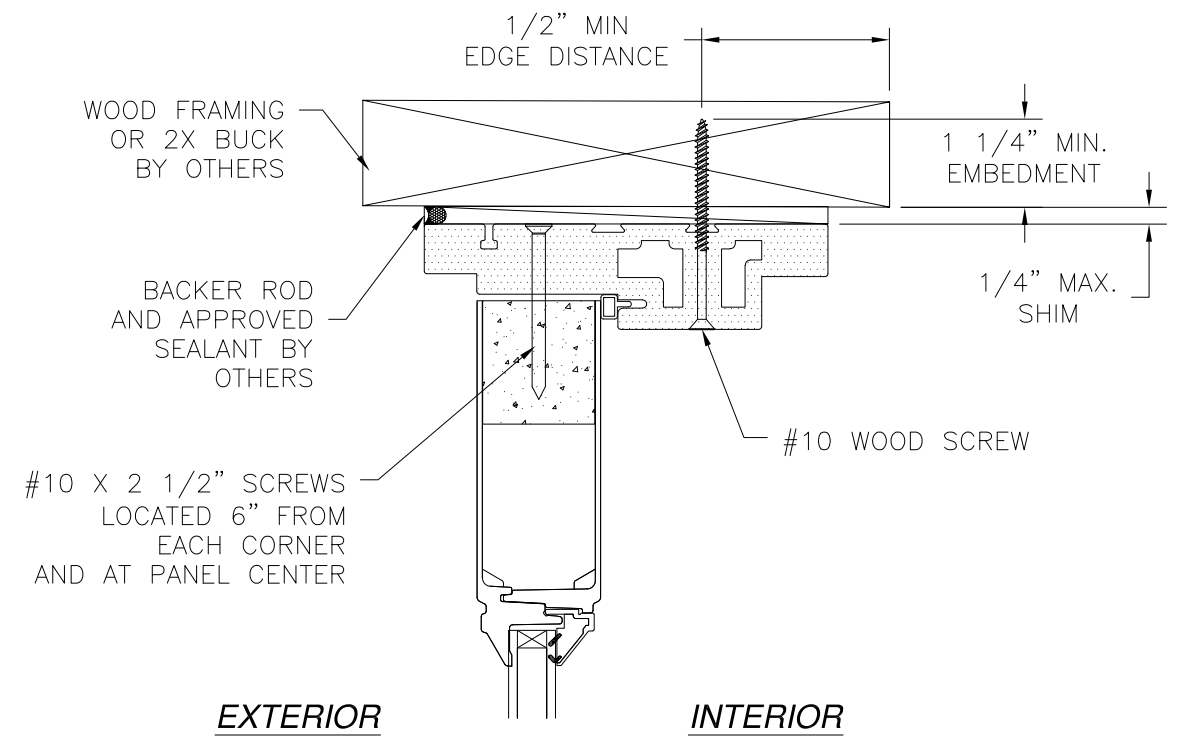
DRAWN: V.L.	DWG NO. 08-01551	REV C
SCALE NTS	DATE 05/02/12	SHEET 10 OF 13

L. ROBERTO LOMAS P.E.  
1432 WOODFORD RD LEWISVILLE, NC 27023  
434-688-0609 rllomas@rlomaspe.com

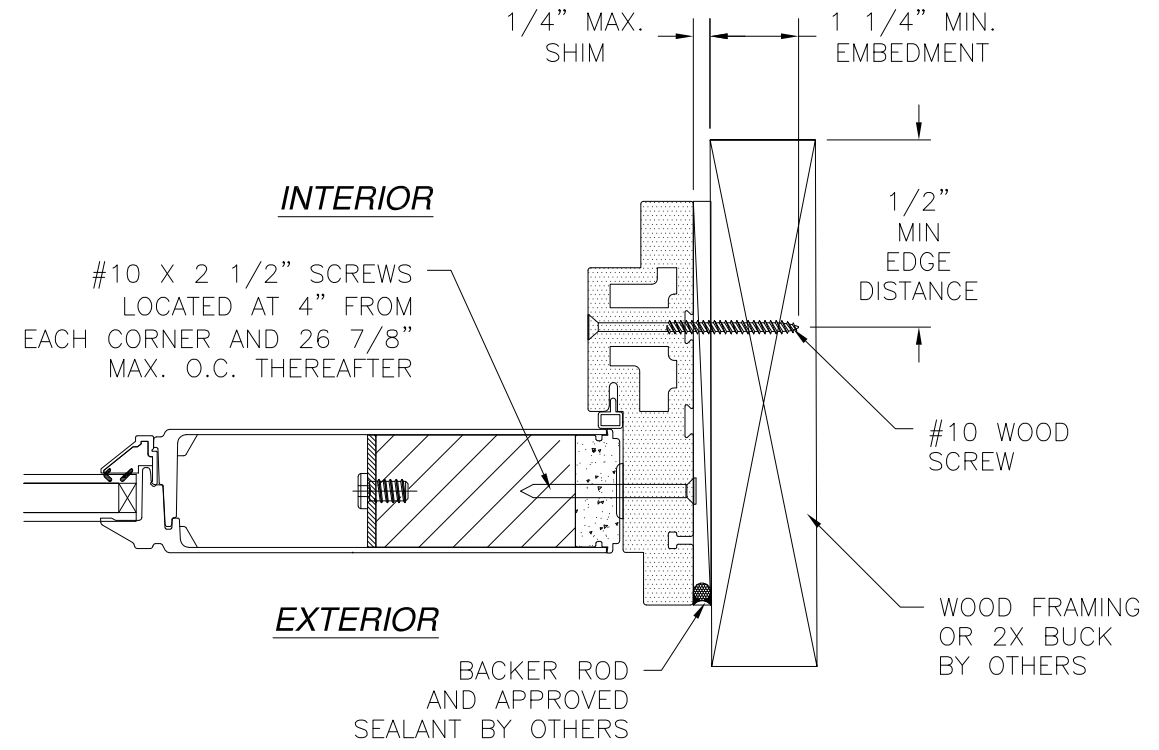


Luis R. Lomas P.E.  
FL No.: 62514

REVISIONS			
REV	DESCRIPTION	DATE	APPROVED
C	REVISED TO ADD GLAZING DETAILS	05/07/2021	R.L.



**SIDELITE VERTICAL CROSS SECTION**  
WOOD FRAMING OR 2X BUCK INSTALLATION



**SIDELITE HORIZONTAL CROSS SECTION**  
WOOD FRAMING OR 2X BUCK INSTALLATION

- NOTES:
1. INTERIOR AND EXTERIOR FINISHES, BY OTHERS, NOT SHOWN FOR CLARITY.
  2. PERIMETER AND JOINT SEALANT BY OTHERS TO BE DESIGNED IN ACCORDANCE WITH ASTM E2112

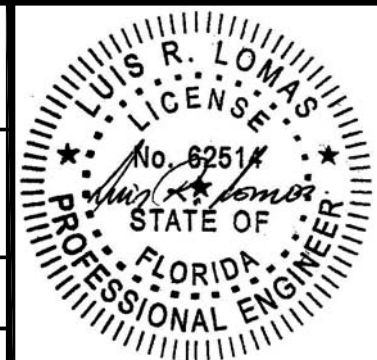
SIGNED: 05/17/2021

NAN YA PLASTICS CORPORATION U.S.A.  
8989 NORTH LOOP EAST  
HOUSTON, TX 77029

OUTSWING PATIO DOOR W/SIDELITES  
FIBERGLASS GLAZED  
INSTALLATION DETAILS

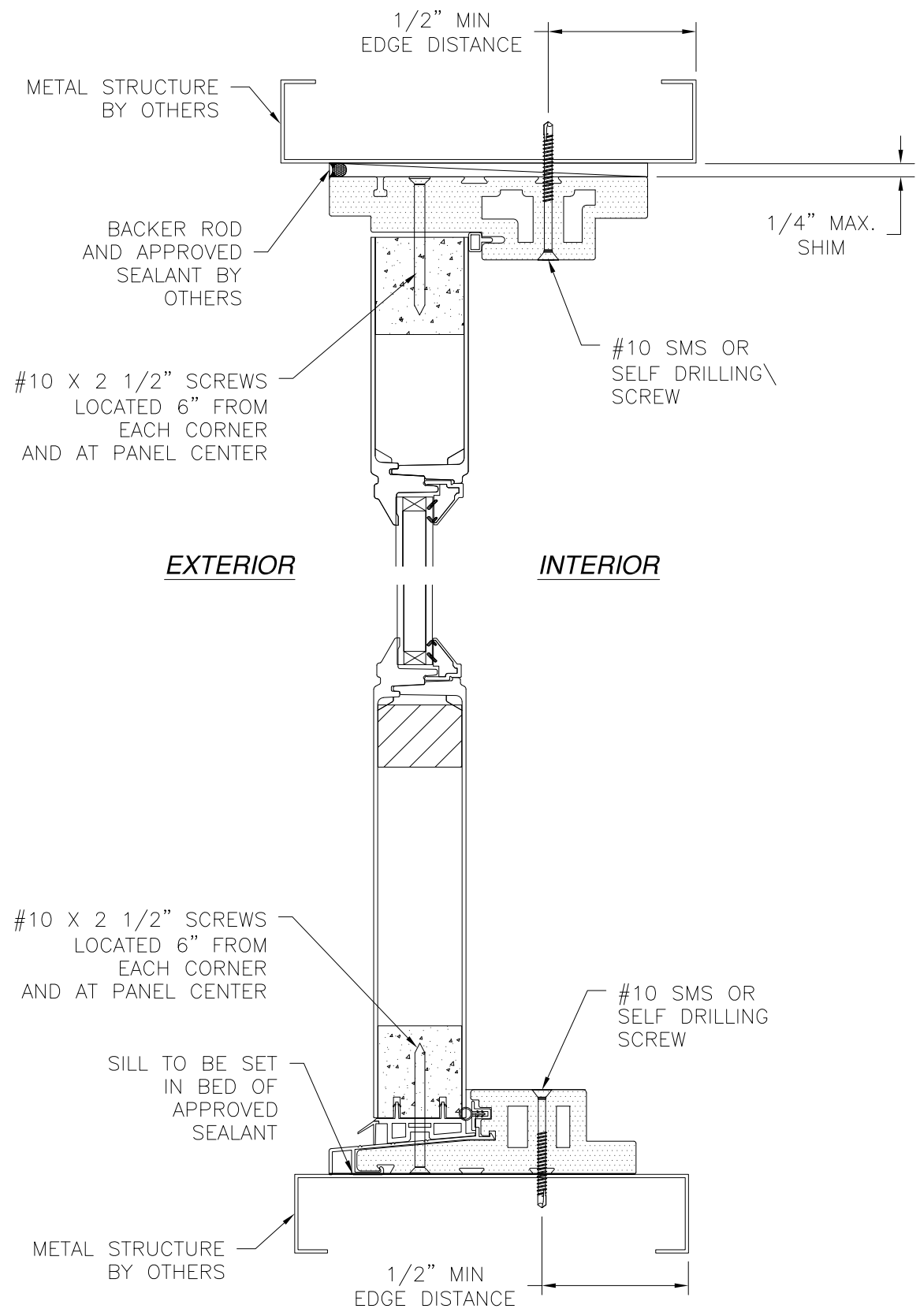
DRAWN: V.L.	DWG NO. 08-01551	REV C
SCALE NTS	DATE 05/02/12	SHEET 11 OF 13

L. ROBERTO LOMAS P.E.  
1432 WOODFORD RD LEWISVILLE, NC 27023  
434-688-0609 rllomas@rlomaspe.com

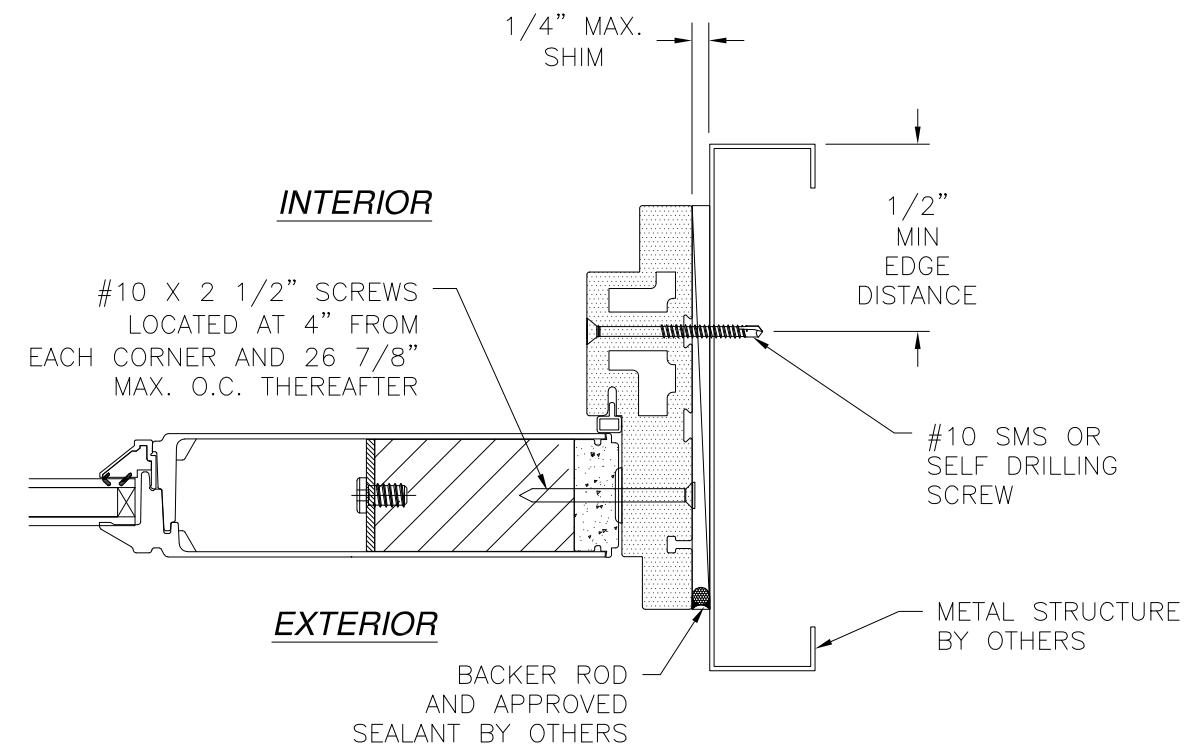


Luis R. Lomas P.E.  
FL No.: 62514

REVISIONS			
REV	DESCRIPTION	DATE	APPROVED
C	REVISED TO ADD GLAZING DETAILS	05/07/2021	R.L.



**SIDELITE VERTICAL CROSS SECTION**  
METAL STRUCTURE INSTALLATION



**SIDELITE HORIZONTAL CROSS SECTION**  
METAL STRUCTURE INSTALLATION

- NOTES:**
1. INTERIOR AND EXTERIOR FINISHES, BY OTHERS, NOT SHOWN FOR CLARITY.
  2. PERIMETER AND JOINT SEALANT BY OTHERS TO BE DESIGNED IN ACCORDANCE WITH ASTM E2112

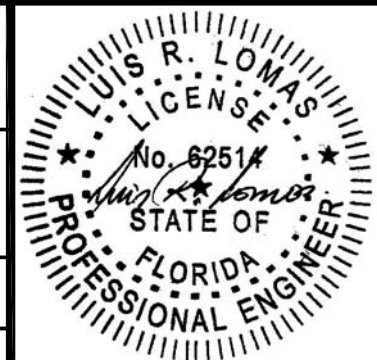
SIGNED: 05/17/2021

NAN YA PLASTICS CORPORATION U.S.A.  
8989 NORTH LOOP EAST  
HOUSTON, TX 77029

OUTSWING PATIO DOOR W/SIDELITES  
FIBERGLASS GLAZED  
INSTALLATION DETAILS

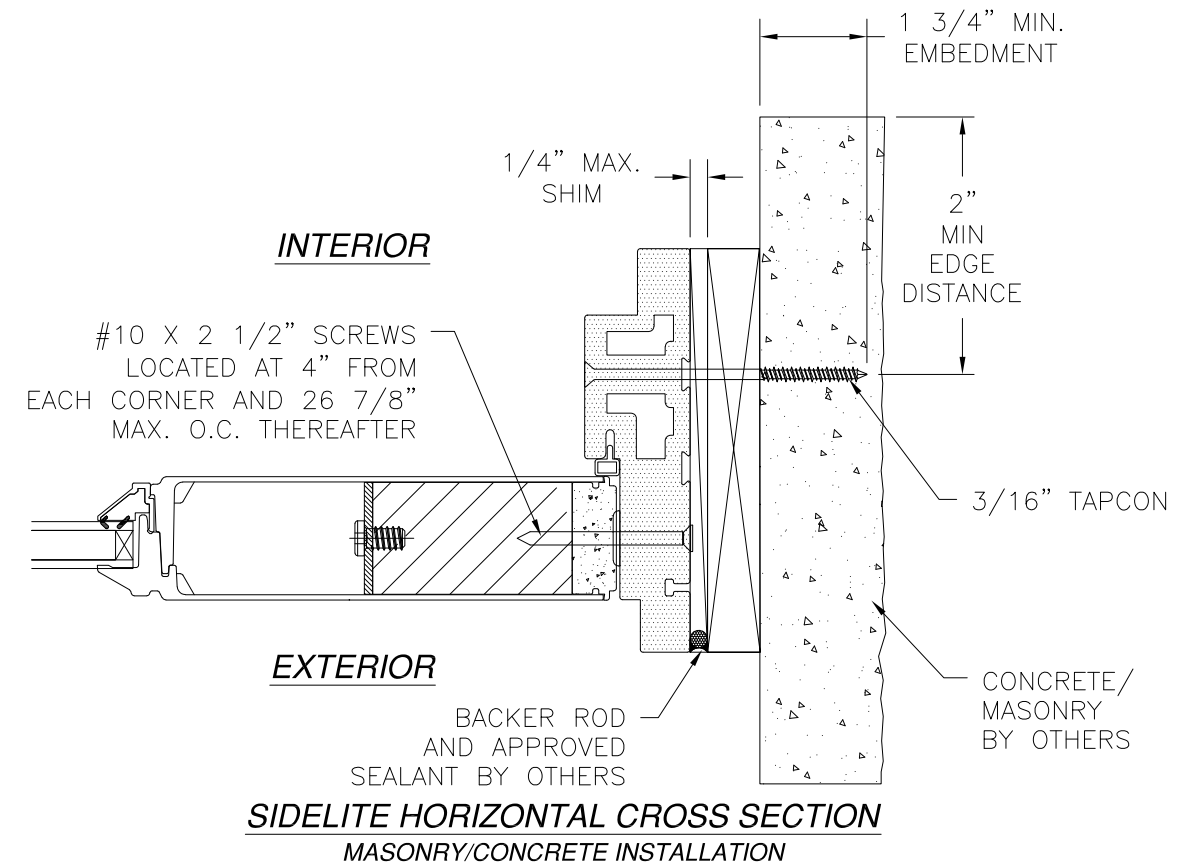
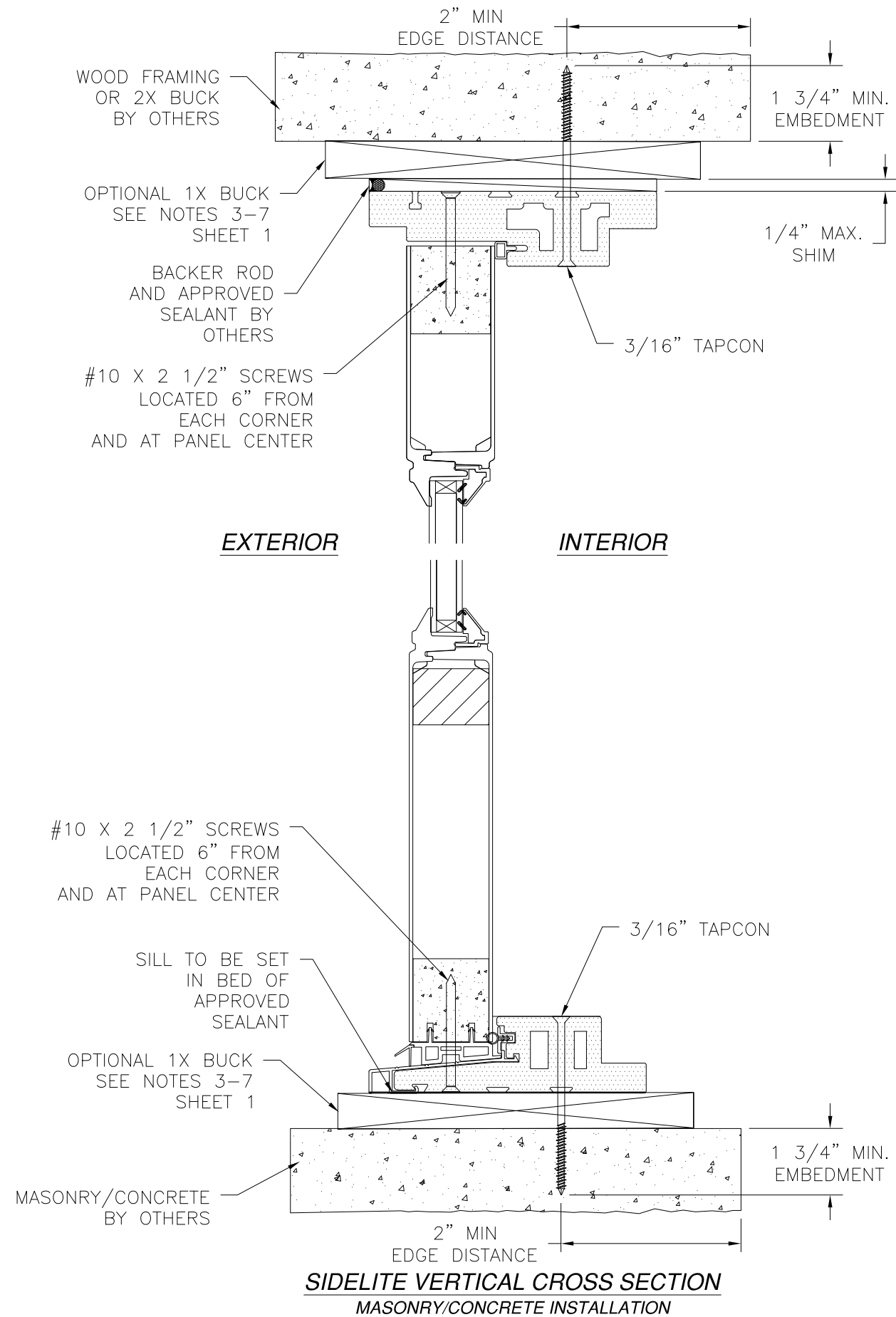
DRAWN: V.L.	DWG NO. 08-01551	REV C
SCALE NTS	DATE 05/02/12	SHEET 12 OF 13

L. ROBERTO LOMAS P.E.  
1432 WOODFORD RD LEWISVILLE, NC 27023  
434-688-0609 rllomas@rlomaspe.com



Luis R. Lomas P.E.  
FL No.: 62514

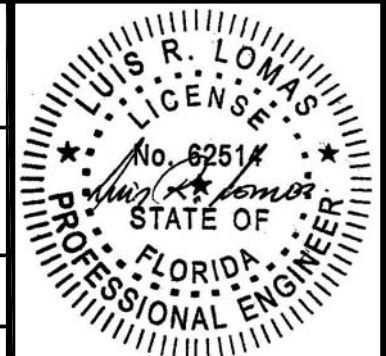
REVISIONS			
REV	DESCRIPTION	DATE	APPROVED
C	REVISED TO ADD GLAZING DETAILS	05/07/2021	R.L.



- NOTES:**
1. INTERIOR AND EXTERIOR FINISHES, BY OTHERS, NOT SHOWN FOR CLARITY.
  2. PERIMETER AND JOINT SEALANT BY OTHERS TO BE DESIGNED IN ACCORDANCE WITH ASTM E2112

SIGNED: 05/17/2021

NAN YA PLASTICS CORPORATION U.S.A. 8989 NORTH LOOP EAST HOUSTON, TX 77029		
OUTSWING PATIO DOOR W/SIDELITES FIBERGLASS GLAZED INSTALLATION DETAILS		
DRAWN: V.L.	DWG NO. 08-01551	REV C
SCALE NTS	DATE 05/02/12	SHEET 13 OF 13
L. ROBERTO LOMAS P.E. 1432 WOODFORD RD LEWISVILLE, NC 27023 434-688-0609 rllomas@rlomaspe.com		



Luis R. Lomas P.E.  
FL No.: 62514