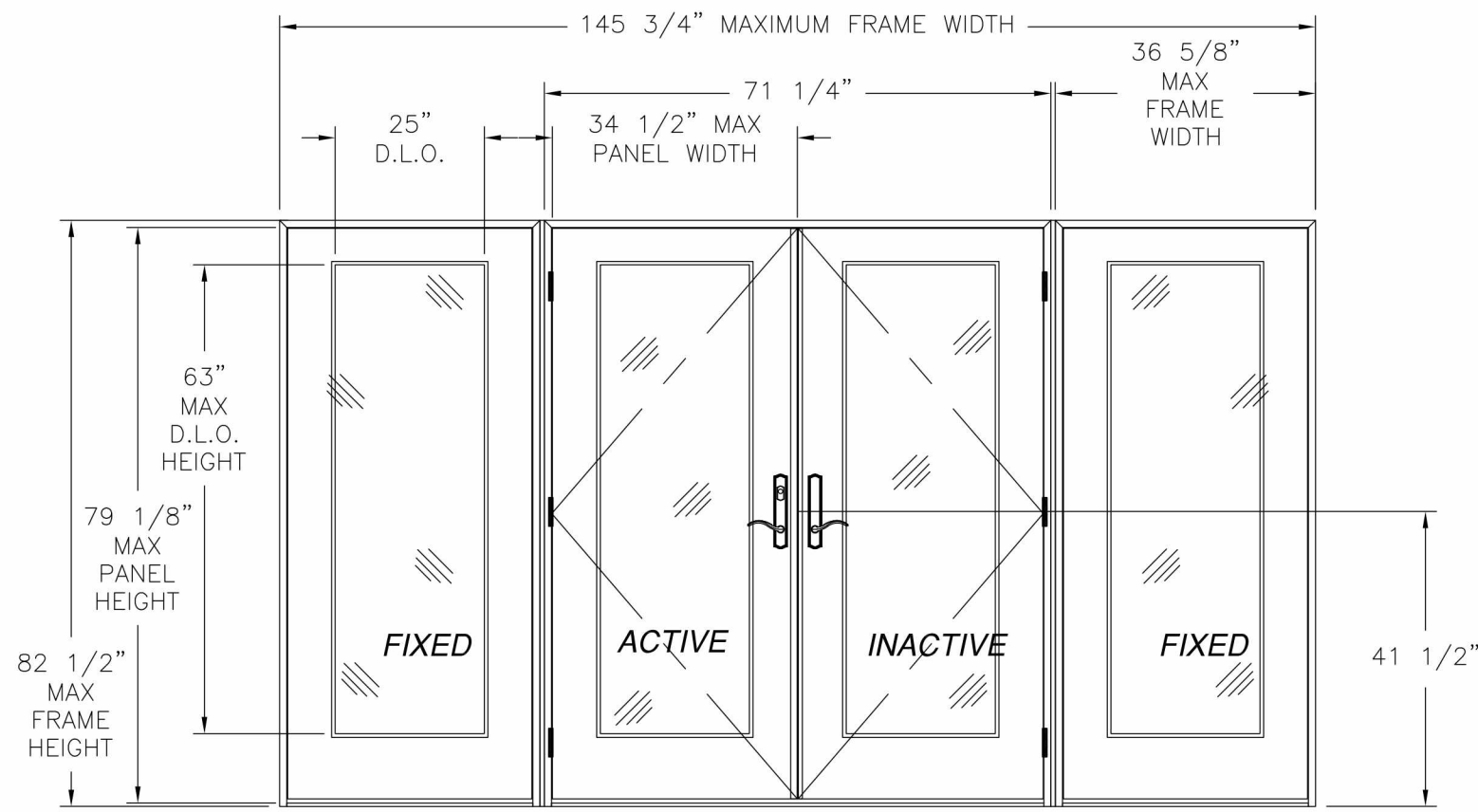


| REVISIONS |                                       |          |          |
|-----------|---------------------------------------|----------|----------|
| REV       | DESCRIPTION                           | DATE     | APPROVED |
| A         | ADDED EDGE DISTANCES                  | 11/05/14 | R.L.     |
| B         | REVISED SIDELITE INSTALLATION DETAILS | 05/26/15 | R.L.     |



- NOTES:
1. THE PRODUCT SHOWN HEREIN IS DESIGNED AND MANUFACTURED TO COMPLY WITH REQUIREMENTS OF THE FLORIDA BUILDING CODE.
  2. WOOD FRAMING AND MASONRY OPENING TO BE DESIGNED AND ANCHORED TO PROPERLY TRANSFER ALL LOADS TO STRUCTURE. FRAMING AND MASONRY OPENING IS THE RESPONSIBILITY OF THE ARCHITECT OR ENGINEER OF RECORD.
  3. 1X BUCK OVER MASONRY/CONCRETE IS OPTIONAL. WHERE 1X BUCK IS NOT USED DISSIMILAR MATERIALS MUST BE SEPARATED WITH APPROVED COATING OR MEMBRANE. SELECTION OF COATING OR MEMBRANE IS THE RESPONSIBILITY OF THE ARCHITECT OR ENGINEER OF RECORD.
  4. UNITS MUST BE GLAZED PER ASTM E1300-04, SEE SHEET 5 FOR GLASS DETAILS.
  5. APPROVED IMPACT PROTECTIVE SYSTEM IS NOT REQUIRED FOR THIS PRODUCT IN WIND BORNE DEBRIS REGIONS.
  6. FRAME JAMB AND HEAD MATERIAL: CO-EXTRUDED PVC FOAM 1 1/2" THICK.
  7. FRAME SILL MATERIAL: CO-EXTRUDED PVC FOAM 2" THICK WITH ALUMINUM CLADDING .063" THICK.
  8. DOOR PANEL AND SIDELITE MATERIAL: .075" THICK FIBERGLASS SKIN WITH PVC FOAM TOP AND BOTTOM RAILS, AND PVC FOAM VERTICAL STILES WITH PINE REINFORCEMENTS AND POLYURETHANE FOAM CORE.
  9. APPROVED CONFIGURATIONS: O, X, OX, XO, XX, OXO, XXO, OXX AND OXXO. SEE SHEET 2.
  10. HINGES LOCATED AT 8 3/4", 39 1/2", AND 71 3/8" FROM TOP OF PANEL

**IN-SWING ENTRANCE DOOR**  
**DOUBLE DOOR W/ SIDELITES (SLPS)**  
 EXTERIOR VIEW

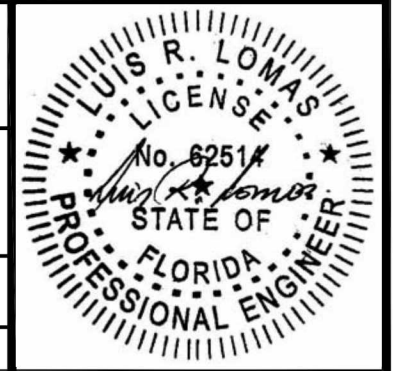
| DESIGN PRESSURE RATING | IMPACT RATING                  |
|------------------------|--------------------------------|
| ±50.0PSF               | LARGE AND SMALL MISSILE IMPACT |

MISSILE LEVEL D, WIND ZONE 4

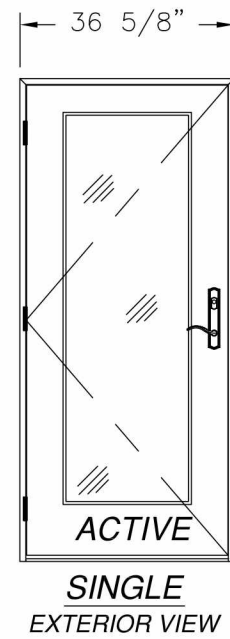
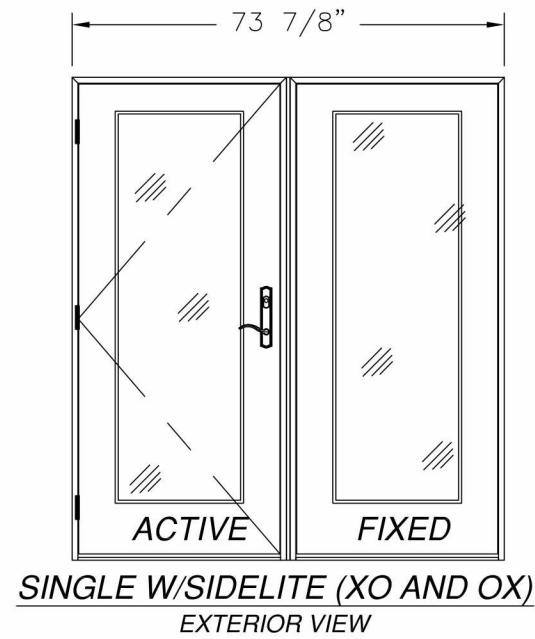
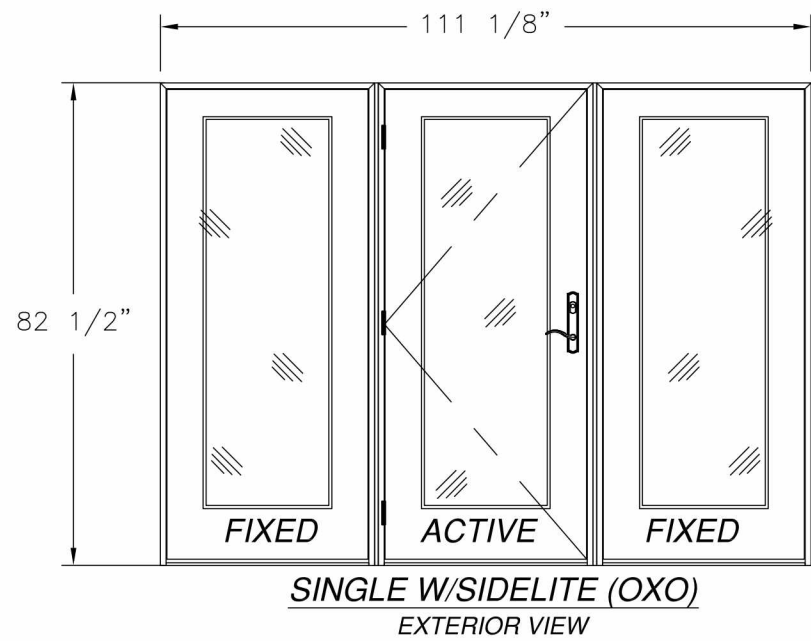
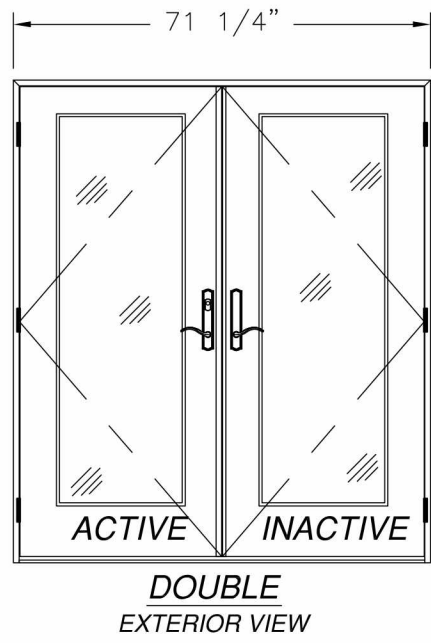
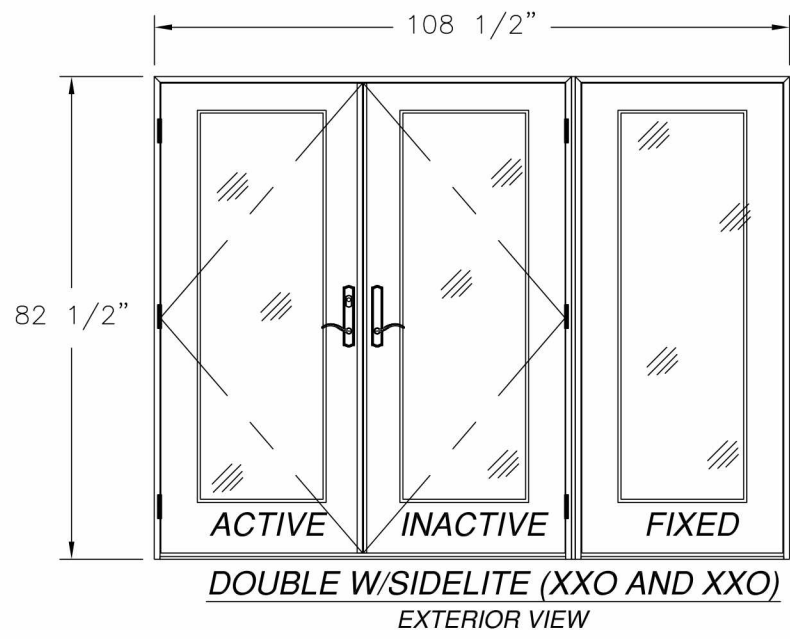
SIGNED: 05/26/2015

| TABLE OF CONTENTS |  |
|-------------------|--|
| SHEET NO.         | DESCRIPTION                            |
| 1                 | ELEVATION AND NOTES                    |
| 2                 | ADDITIONAL CONFIGURATIONS AND HARDWARE |
| 3 - 4             | ANCHORING LAYOUTS                      |
| 5 - 9             | INSTALLATION DETAILS                   |

|   |                     |                 |
|---|---------------------|-----------------|
| <b>NAN YA PLASTICS CORP. USA</b><br>8989 NORTH LOOP EAST<br>HOUSTON, TX 77029                             |                     |                 |
| <b>IN-SWING ENTRANCE DOOR W/ SIDELITES (SLPS)</b><br>FIBERGLASS IMPACT GLAZED<br>OXXO ELEVATION AND NOTES |                     |                 |
| DRAWN:<br>V.L.  | DWG NO.<br>08-01887 | REV<br>B        |
| SCALE<br>NTS  | DATE<br>01/07/13    | SHEET<br>1 OF 9 |



| REVISIONS |                                       |          |          |
|-----------|---------------------------------------|----------|----------|
| REV       | DESCRIPTION                           | DATE     | APPROVED |
| A         | ADDED EDGE DISTANCES                  | 11/05/14 | R.L.     |
| B         | REVISED SIDELITE INSTALLATION DETAILS | 05/26/15 | R.L.     |



NOTE:  
ALL APPROVED CONFIGURATIONS ARE SHOWN AS LEFT HAND ACTIVE, RIGHT HAND ACTIVE IS ALSO APPROVED.

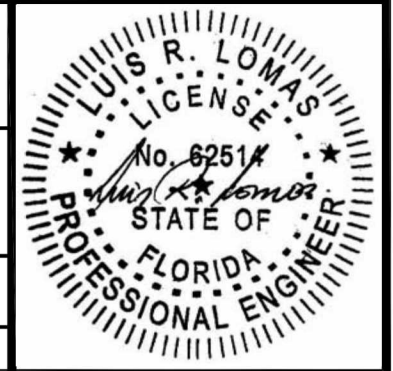
| HARDWARE SCHEDULE |  |
|-------------------|--|
| A.                | 2 POINT LOCK BY NINGBO MICOTA (INACTIVE PANEL)       |
| B.                | 3 POINT LOCK BY NINGBO MICOTA (ACTIVE PANEL)         |
| C.                | (4) 4"x4" BUTT HINGES BY WENZHOU LONGTAI (PER PANEL) |
| D.                | ALUMINUM & PVC FOAM ASTRAGAL BY NAN YA PLASTICS      |
| E.                | ALUMINUM & PVC FOAM MULLION BY NAN YA PLASTICS       |

**NAN YA PLASTICS CORP. USA**  
8989 NORTH LOOP EAST  
HOUSTON, TX 77029

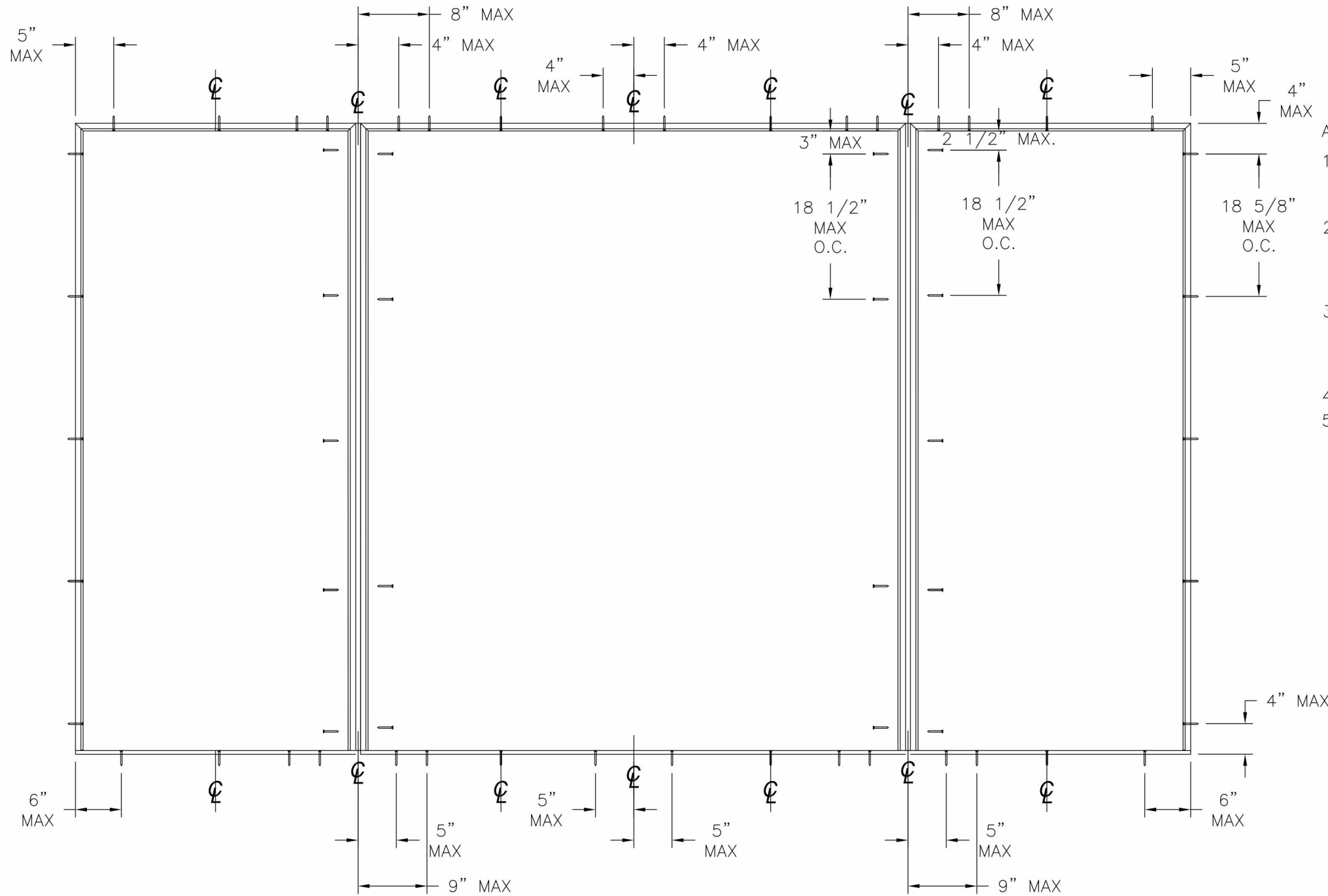
IN-SWING ENTRANCE DOOR W/ SIDELITES (SLPS)  
FIBERGLASS IMPACT GLAZED  
ADDITIONAL CONFIGURATIONS AND HARDWARE

|                |                     |                 |
|----------------|---------------------|-----------------|
| DRAWN:<br>V.L. | DWG NO.<br>08-01887 | REV<br>B        |
| SCALE<br>NTS   | DATE<br>01/07/13    | SHEET<br>2 OF 9 |

SIGNED: 05/26/2015



| REVISIONS |                                       |          |          |
|-----------|---------------------------------------|----------|----------|
| REV       | DESCRIPTION                           | DATE     | APPROVED |
| A         | ADDED EDGE DISTANCES                  | 11/05/14 | R.L.     |
| B         | REVISED SIDELITE INSTALLATION DETAILS | 05/26/15 | R.L.     |



ANCHORING NOTES:

- 1) SHIM AS REQUIRED AT EACH INSTALLATION ANCHOR WITH LOAD BEARING SHIM. SHIM WHERE SPACE OF 1/16" OR GREATER OCCURS. MAXIMUM ALLOWABLE SHIM STACK TO BE 1/4".
- 2) FOR ANCHORING INTO MASONRY/CONCRETE USE 3/16" TAPCON OF SUFFICIENT LENGTH TO ACHIEVE A 1 1/4" MINIMUM EMBEDMENT INTO SUBSTRATE. LOCATE ANCHORS AS SHOWN IN ANCHORING LAYOUT AND INSTALLATION DETAILS.
- 3) FOR ANCHORING INTO 2X BUCK OR WOOD FRAMING USE #10 WOOD SCREW OF SUFFICIENT LENGTH TO ACHIEVE A 1 3/8" MINIMUM EMBEDMENT INTO SUBSTRATE. LOCATE ANCHORS AS SHOWN IN ANCHORING LAYOUT AND INSTALLATION DETAILS.
- 4) ALL FASTENERS TO BE CORROSION RESISTANT.
- 5) INSTALLATION ANCHORS SHALL BE INSTALLED IN ACCORDANCE WITH ANCHOR MANUFACTURER'S INSTALLATION INSTRUCTIONS, AND ANCHORS SHALL NOT BE USED IN SUBSTRATES WITH STRENGTHS LESS THAN THE MINIMUM STRENGTH SPECIFIED BELOW:
  - A. WOOD – MINIMUM SPECIFIC GRAVITY OF G=0.42
  - B. CONCRETE – MINIMUM COMPRESSIVE STRENGTH OF 3,200 PSI.
  - C. MASONRY – STRENGTH CONFORMANCE TO ASTM C-90, GRADE N, TYPE 1 (OR GREATER).

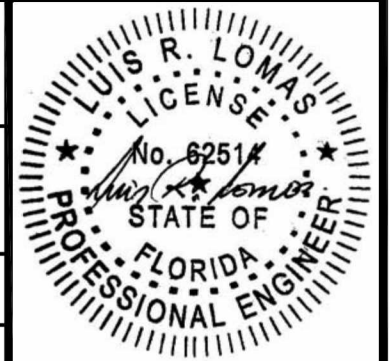
ANCHORING LAYOUT

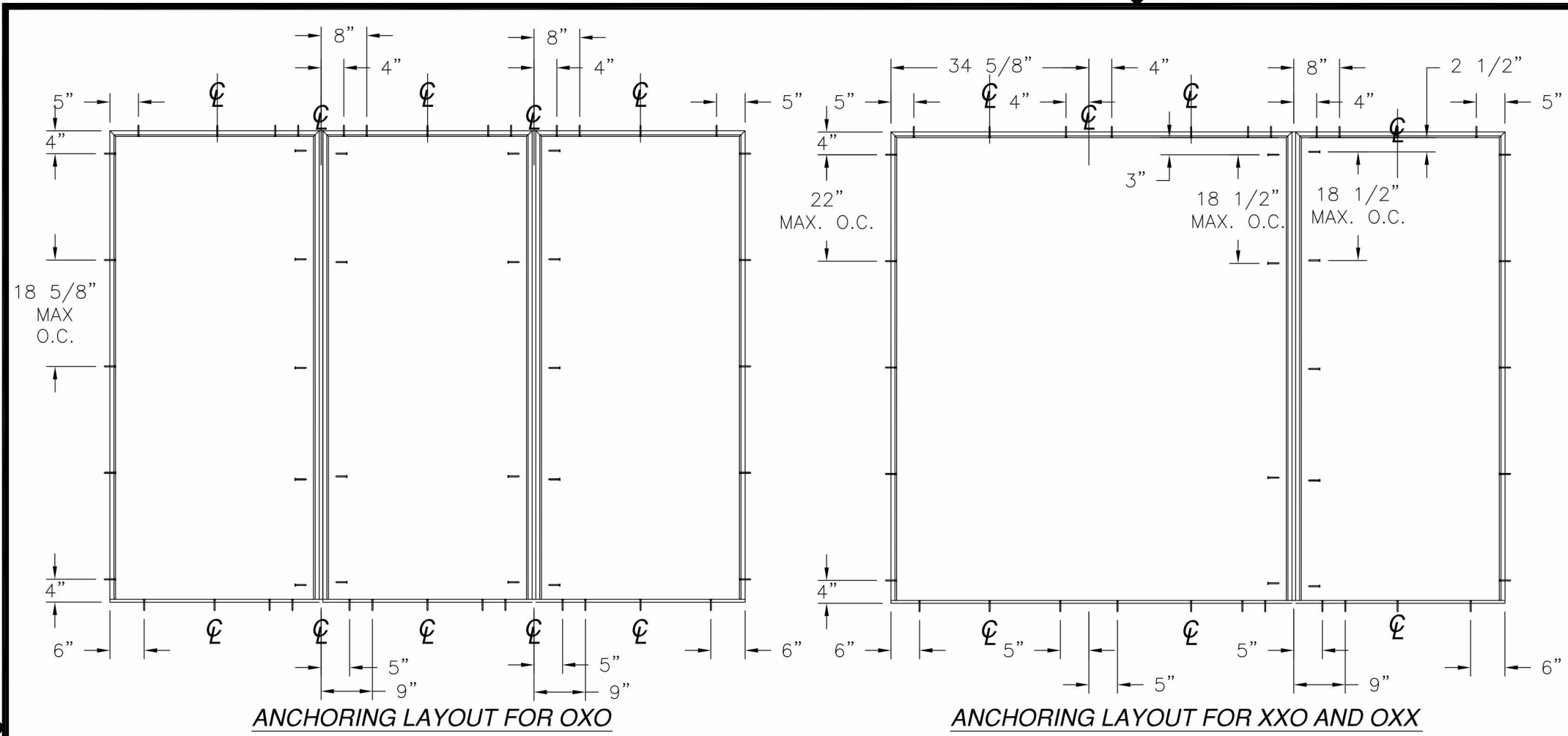
SIGNED: 05/26/2015

NAN YA PLASTICS CORP. USA  
8989 NORTH LOOP EAST  
HOUSTON, TX 77029

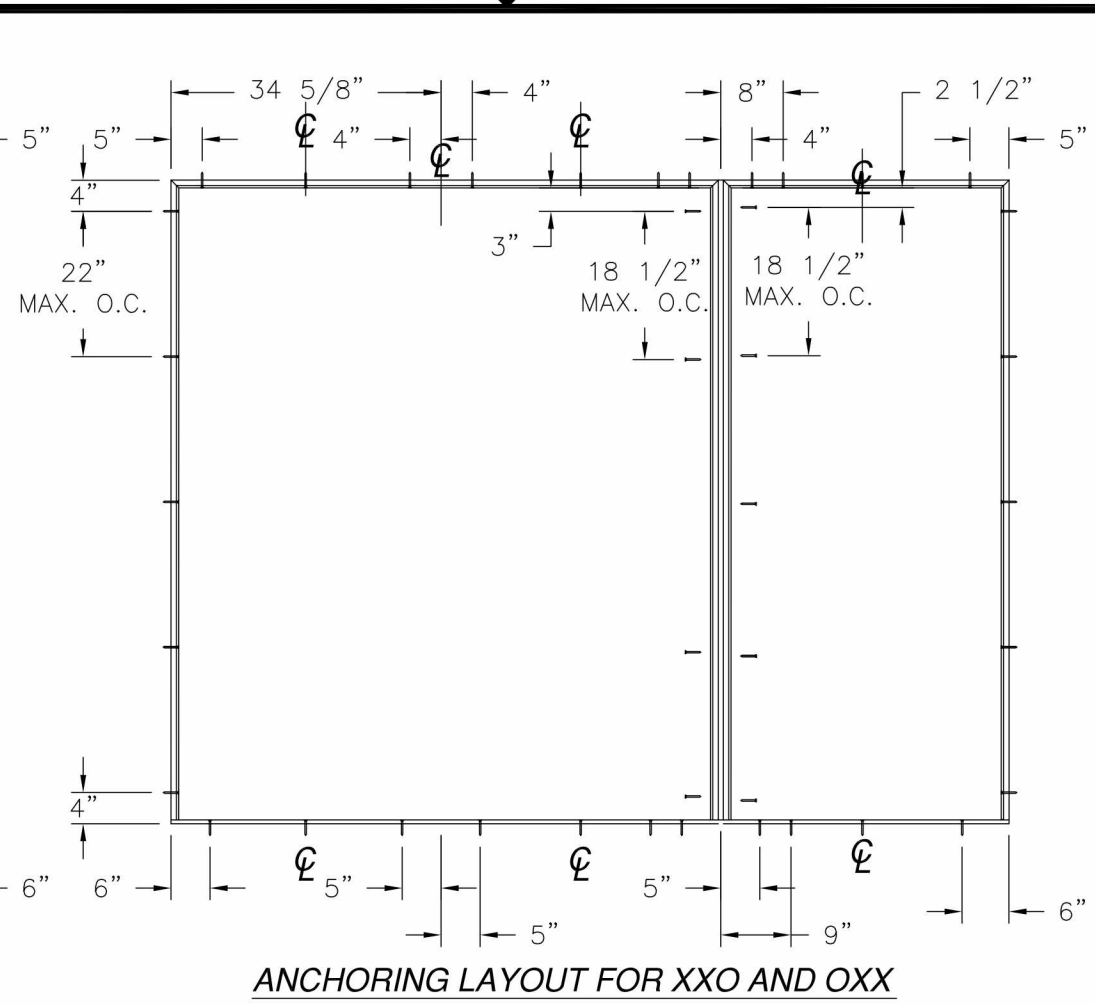
IN-SWING ENTRANCE DOOR W/ SIDELITES (SLPS)  
FIBERGLASS IMPACT GLAZED  
ANCHORING LAYOUTS

|                |                     |              |
|----------------|---------------------|--------------|
| DRAWN:<br>V.L. | DWG NO.<br>08-01887 | REV<br>B     |
| SCALE NTS      | DATE 01/07/13       | SHEET 3 OF 9 |

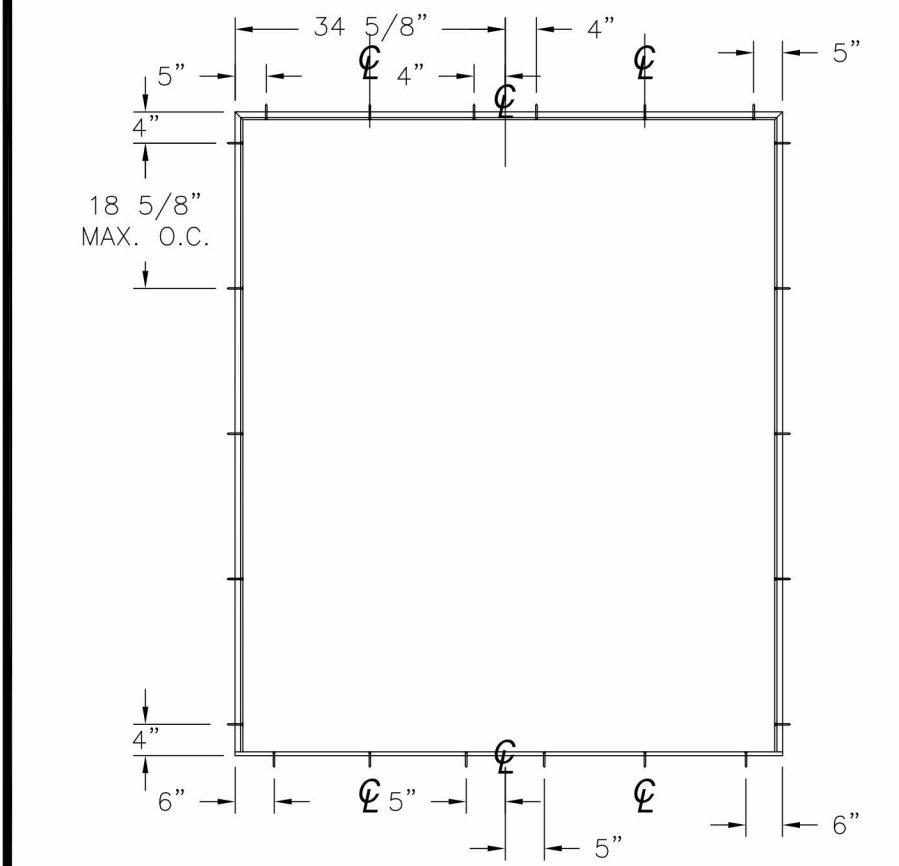




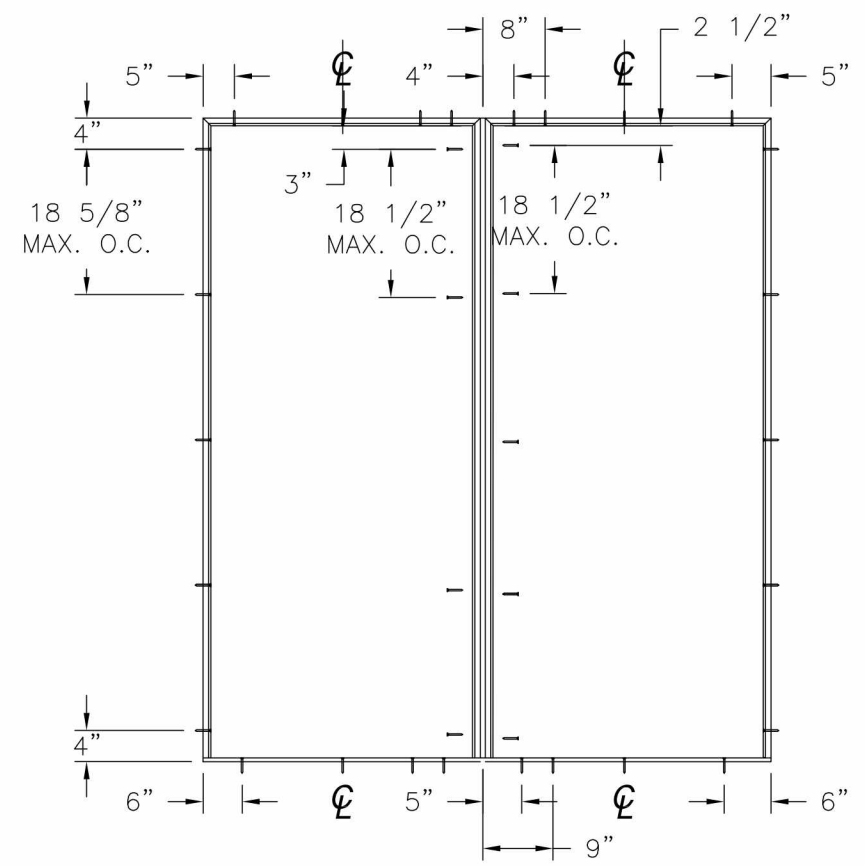
ANCHORING LAYOUT FOR OXO



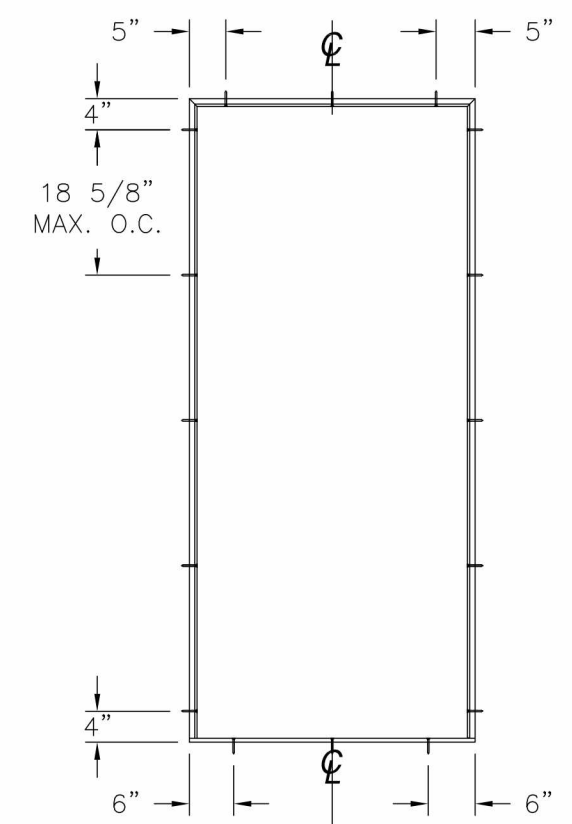
ANCHORING LAYOUT FOR XXO AND OXX



ANCHORING LAYOUT FOR XX



ANCHORING LAYOUT FOR OX AND XO



ANCHORING LAYOUT FOR X

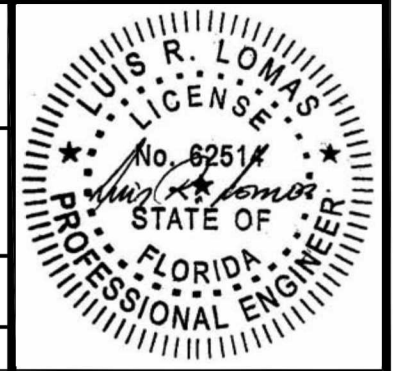
| REVISIONS |                                       |          |          |
|-----------|---------------------------------------|----------|----------|
| REV       | DESCRIPTION                           | DATE     | APPROVED |
| A         | ADDED EDGE DISTANCES                  | 11/05/14 | R.L.     |
| B         | REVISED SIDELITE INSTALLATION DETAILS | 05/26/15 | R.L.     |

NAN YA PLASTICS CORP. USA  
 8989 NORTH LOOP EAST  
 HOUSTON, TX 77029

IN-SWING ENTRANCE DOOR W/ SIDELITES (SLPS)  
 FIBERGLASS IMPACT GLAZED  
 ANCHORING LAYOUTS

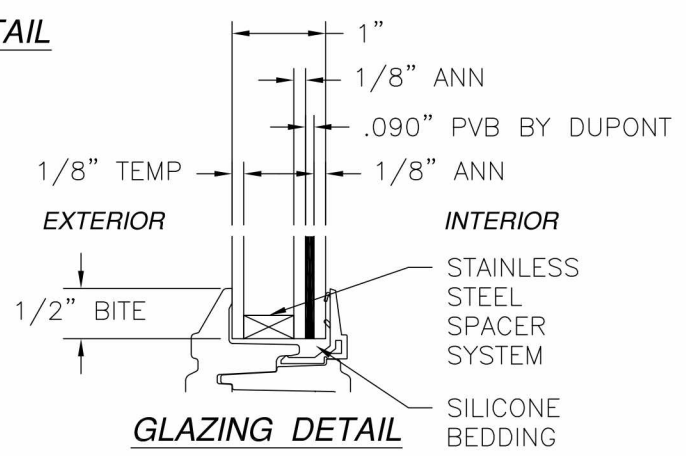
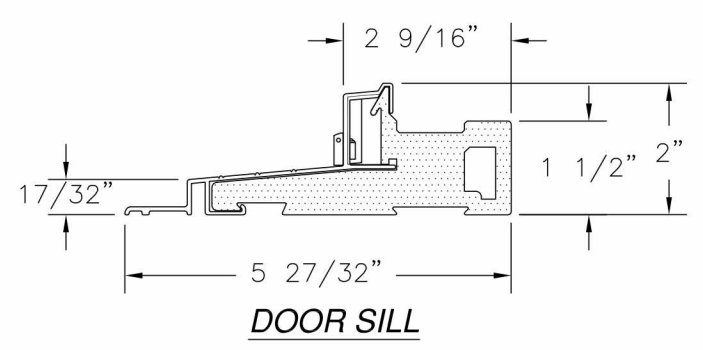
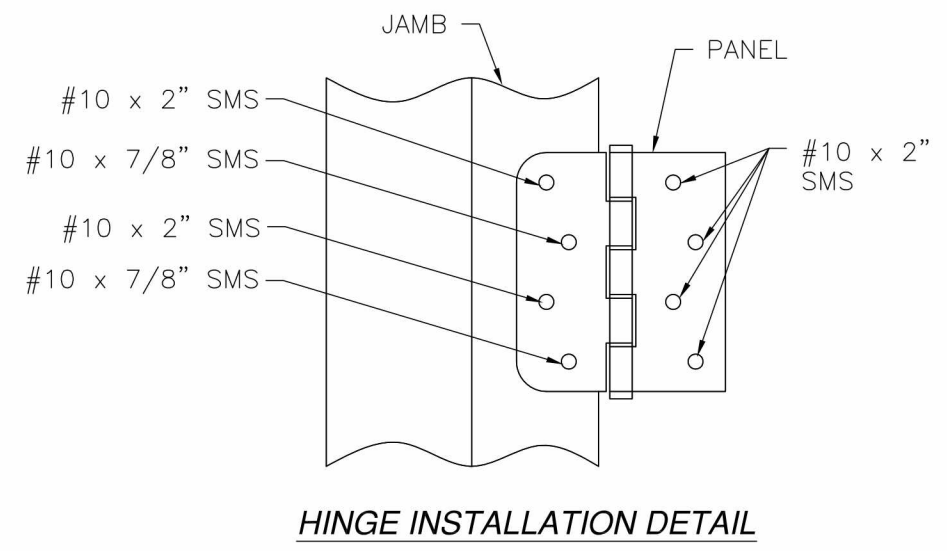
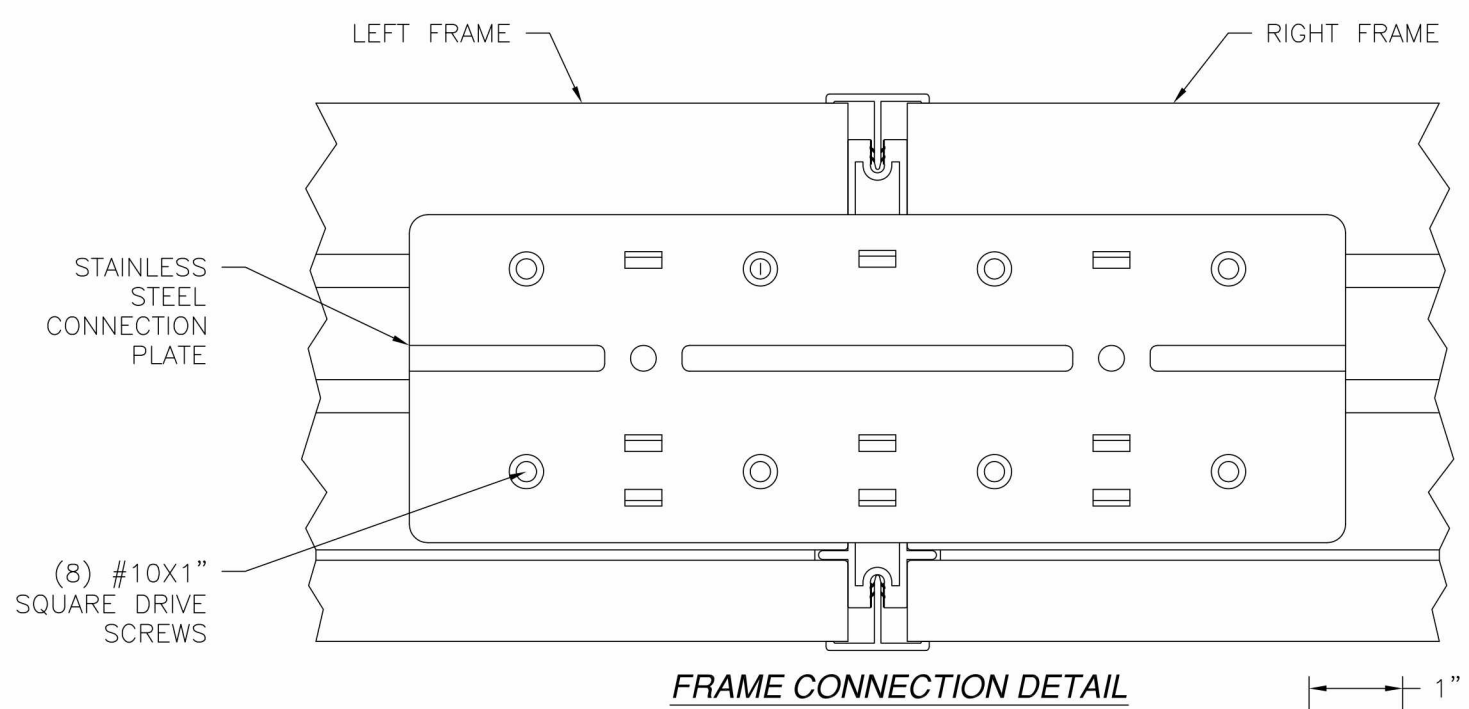
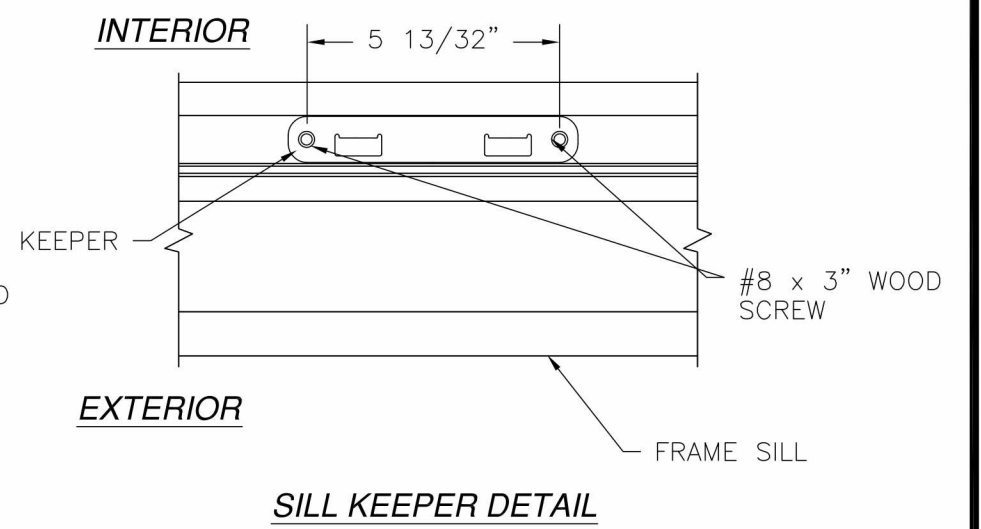
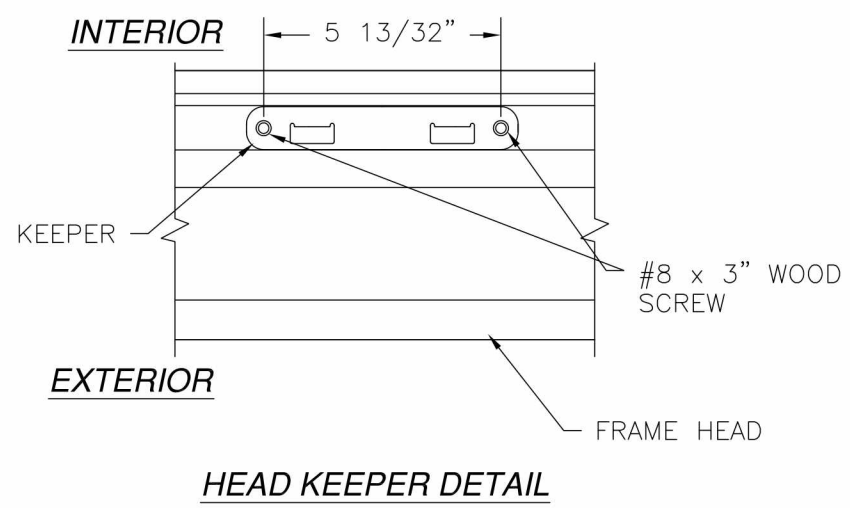
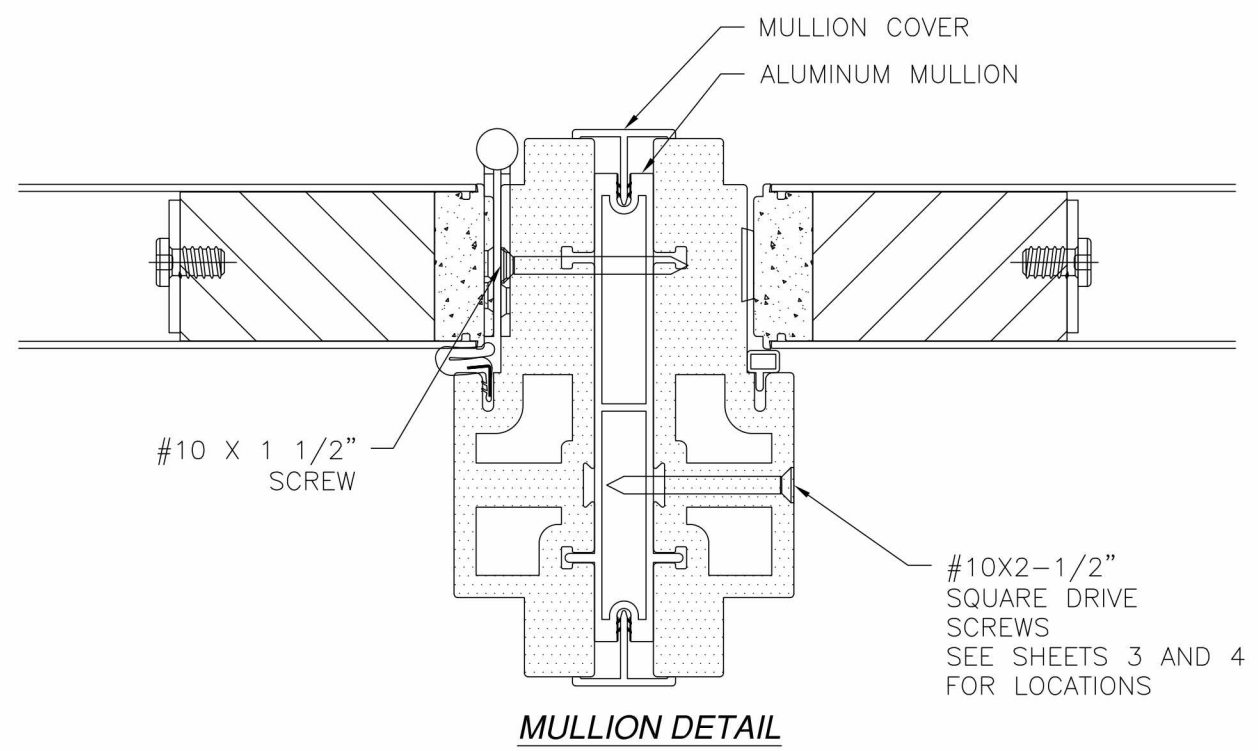
DRAWN: V.L. DWG NO. 08-01887 REV B  
 SCALE NTS DATE 01/07/13 SHEET 4 OF 9

SIGNED: 05/26/2015





| REVISIONS |                                       |          |          |
|-----------|---------------------------------------|----------|----------|
| REV       | DESCRIPTION                           | DATE     | APPROVED |
| A         | ADDED EDGE DISTANCES                  | 11/05/14 | R.L.     |
| B         | REVISED SIDELITE INSTALLATION DETAILS | 05/26/15 | R.L.     |

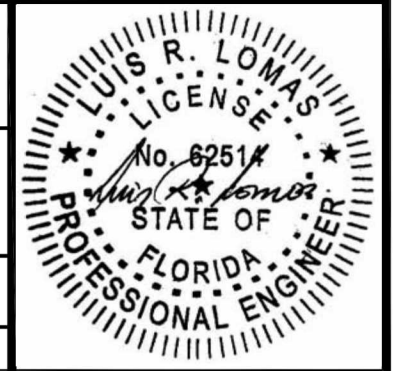


NAN YA PLASTICS CORP. USA  
8989 NORTH LOOP EAST  
HOUSTON, TX 77029

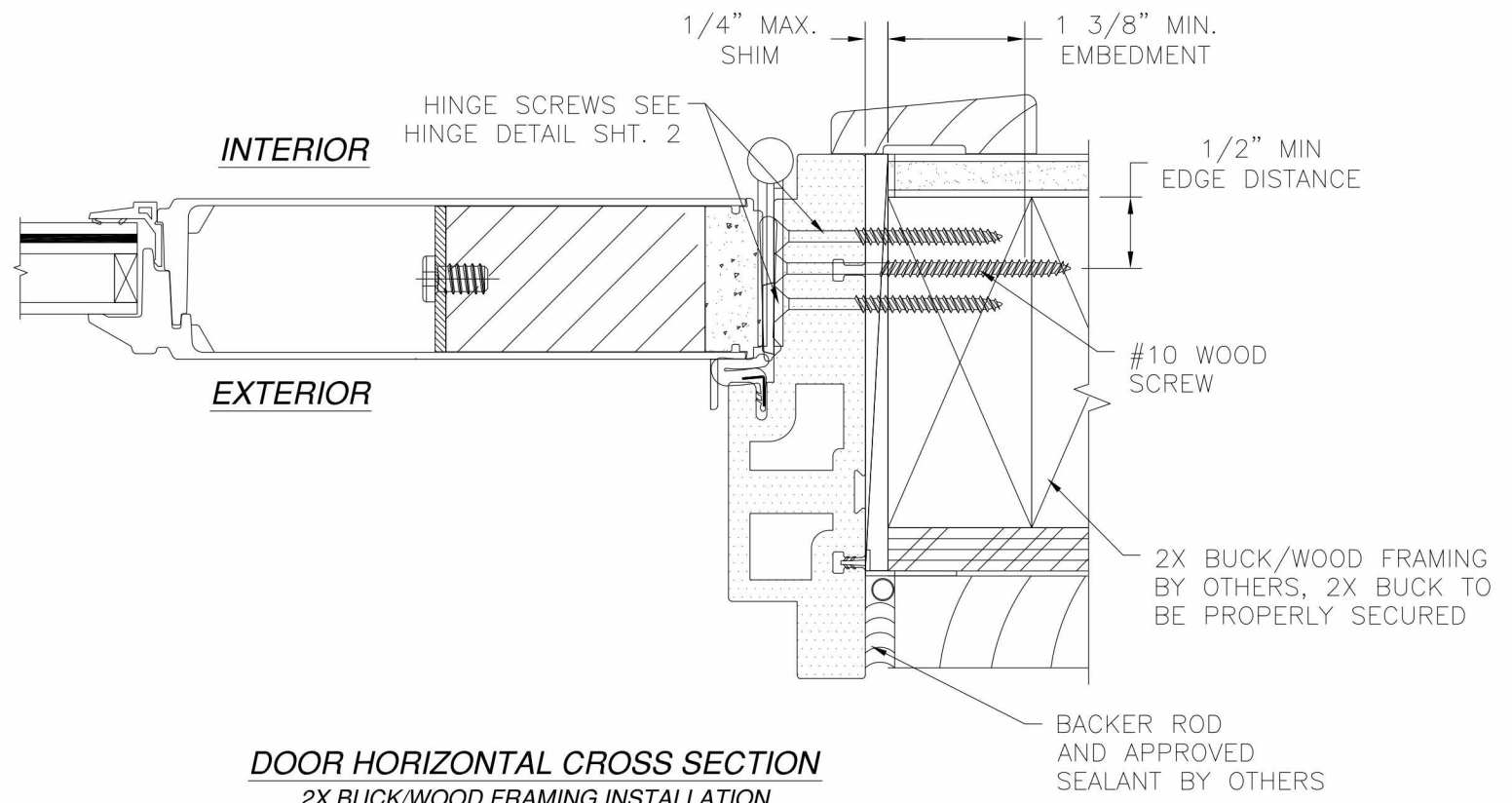
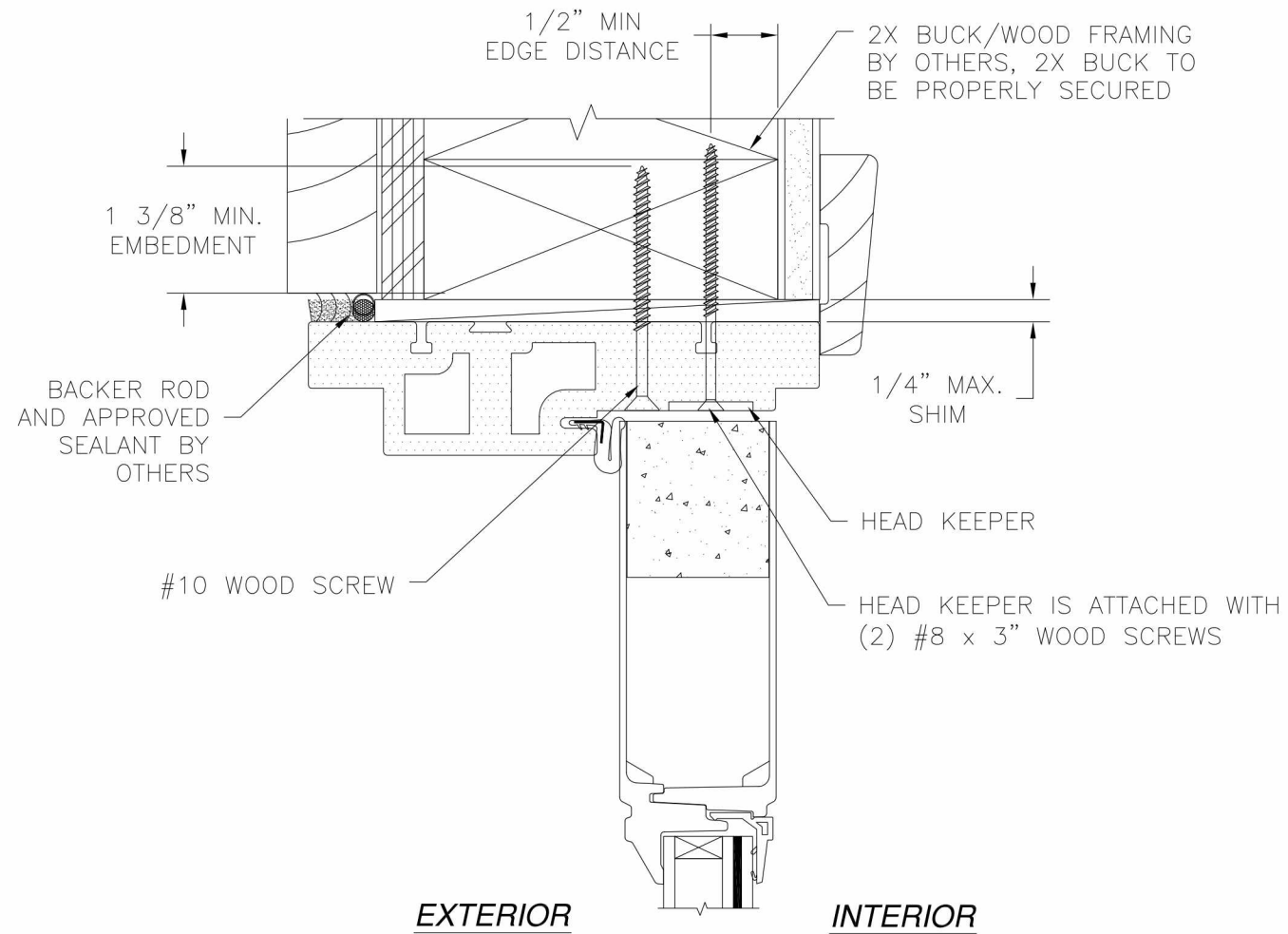
IN-SWING ENTRANCE DOOR W/ SIDELITES (SLPS)  
FIBERGLASS IMPACT GLAZED  
INSTALLATION DETAILS

DRAWN: V.L. DWG NO. 08-01887 REV B  
SCALE NTS DATE 01/07/13 SHEET 5 OF 9

SIGNED: 05/26/2015

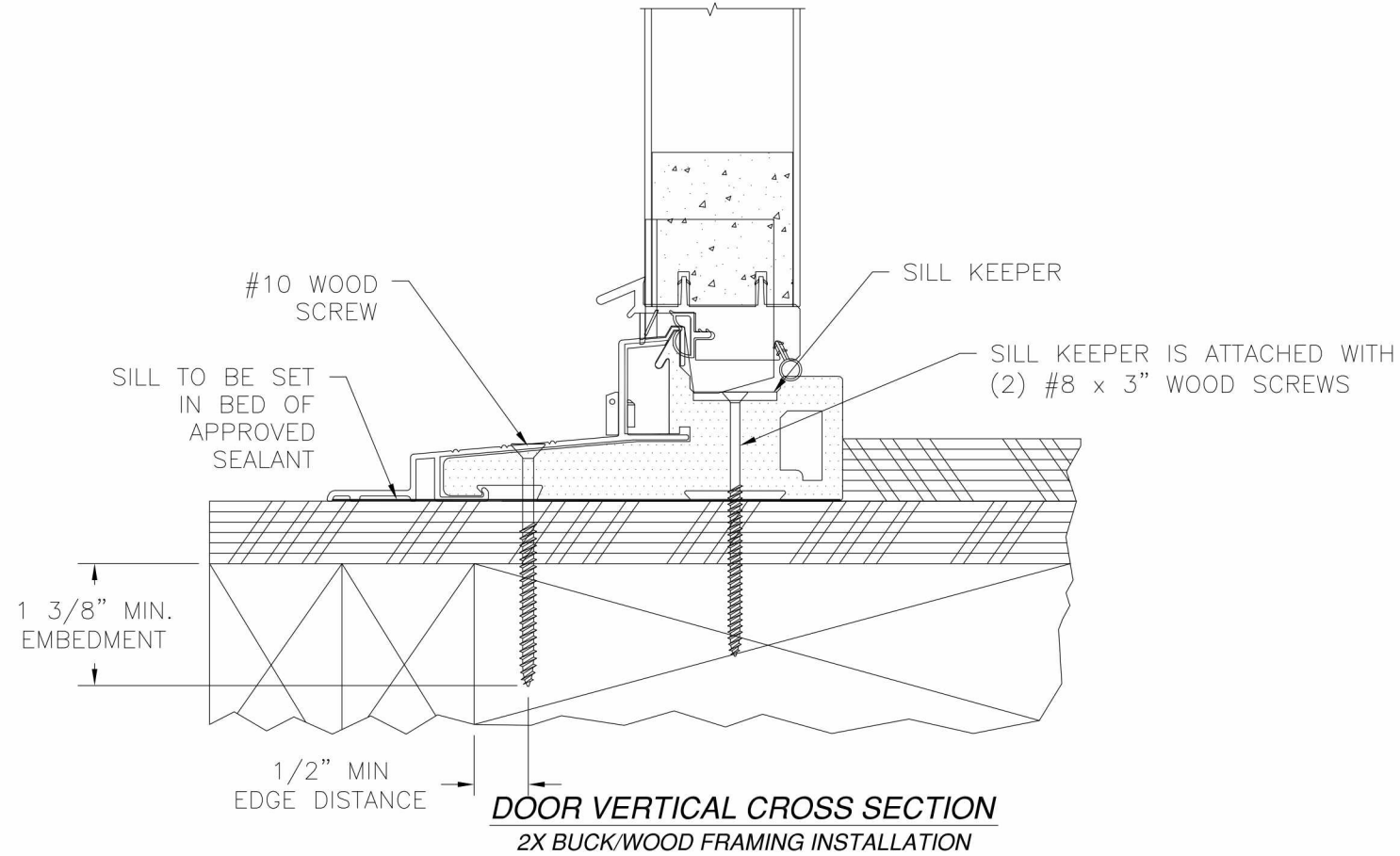


| REVISIONS |                                       |          |          |
|-----------|---------------------------------------|----------|----------|
| REV       | DESCRIPTION                           | DATE     | APPROVED |
| A         | ADDED EDGE DISTANCES                  | 11/05/14 | R.L.     |
| B         | REVISED SIDELITE INSTALLATION DETAILS | 05/26/15 | R.L.     |



**DOOR HORIZONTAL CROSS SECTION**  
2X BUCK/WOOD FRAMING INSTALLATION

**NOTES:**  
 1. INTERIOR AND EXTERIOR FINISHES, BY OTHERS, NOT SHOWN FOR CLARITY.  
 2. PERIMETER AND JOINT SEALANT BY OTHERS TO BE DESIGNED IN ACCORDANCE WITH ASTM E2112



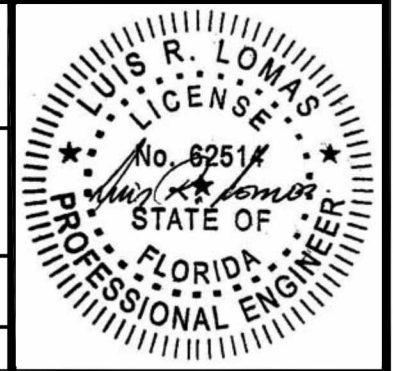
**DOOR VERTICAL CROSS SECTION**  
2X BUCK/WOOD FRAMING INSTALLATION

SIGNED: 05/26/2015

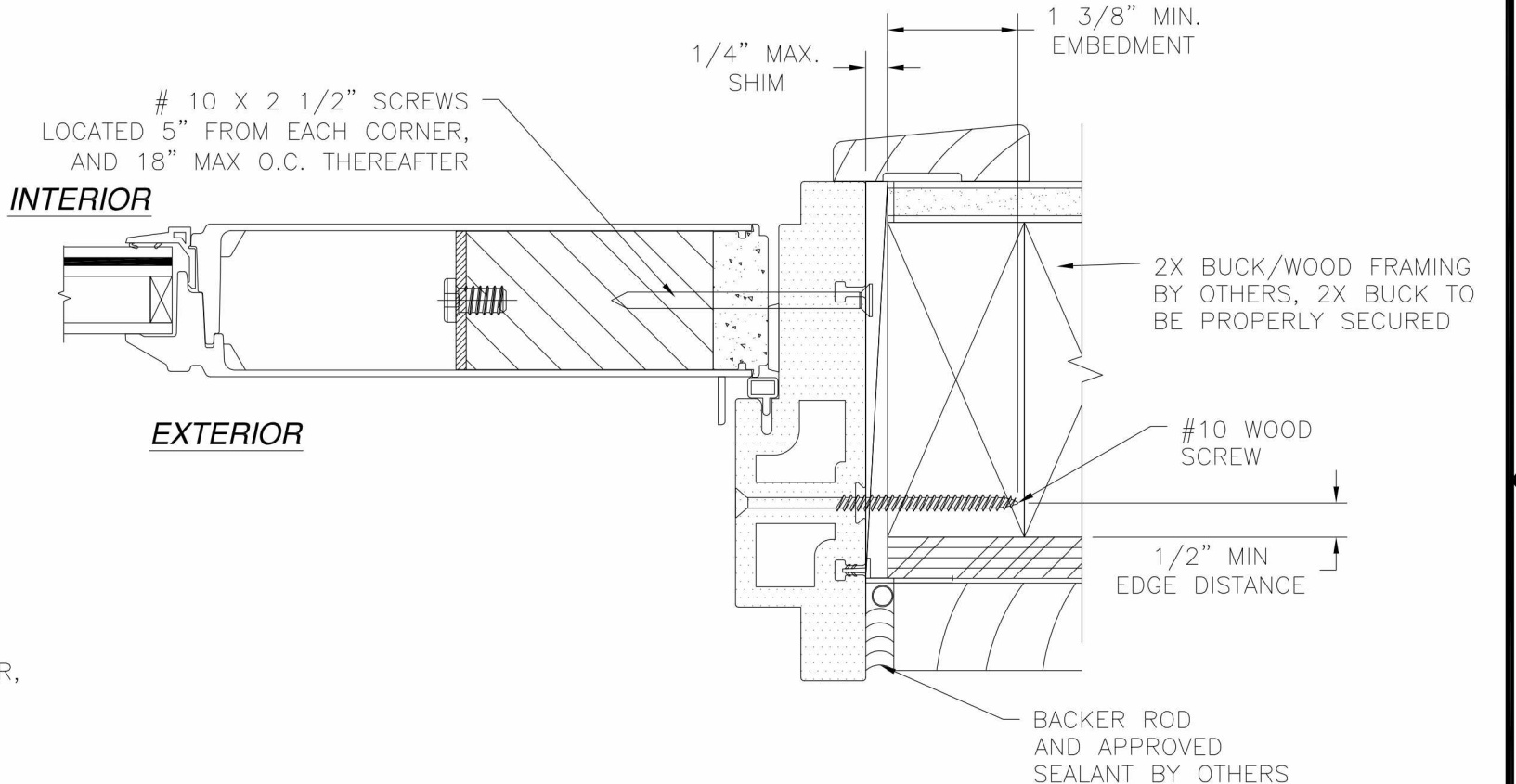
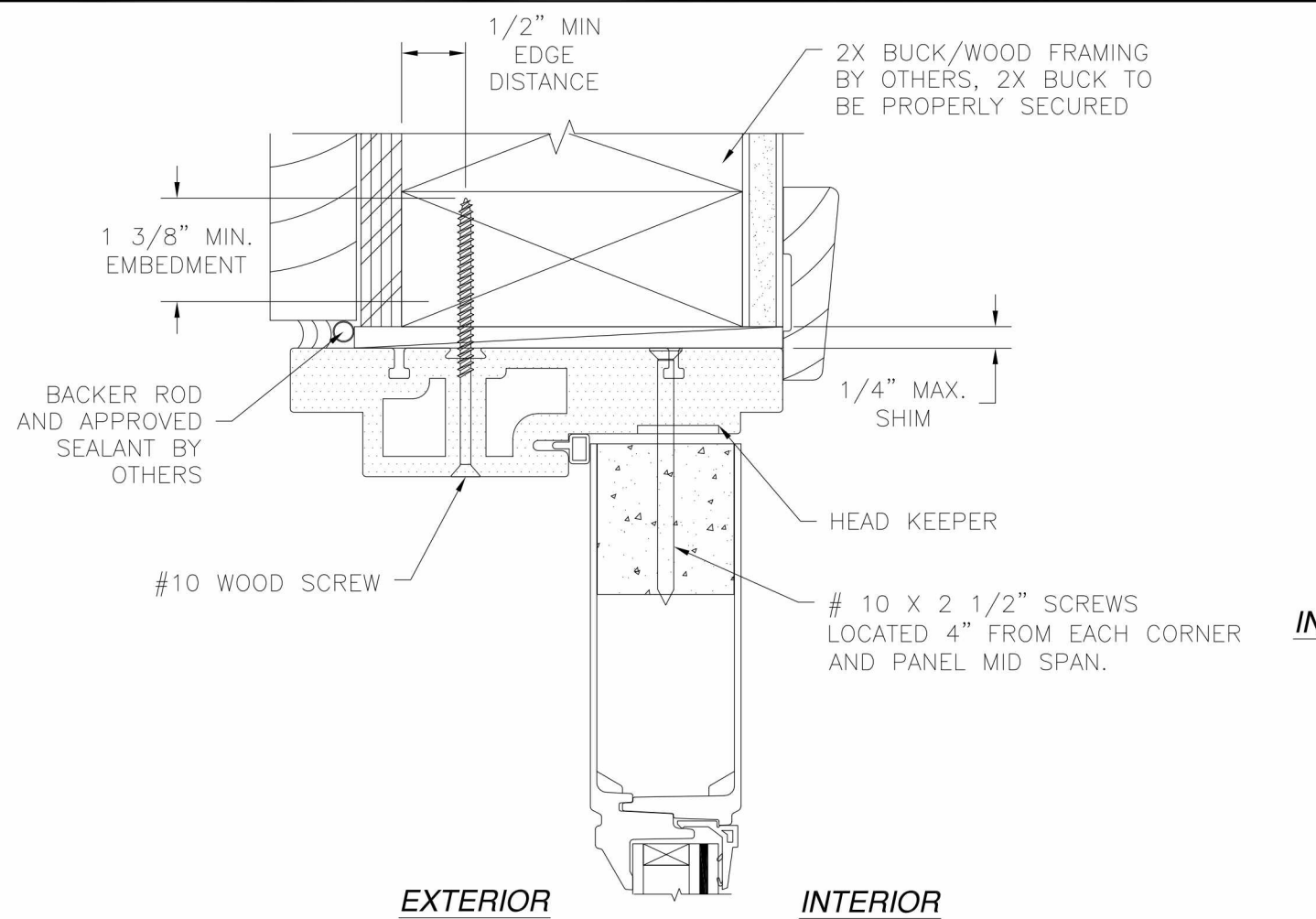
NAN YA PLASTICS CORP. USA  
 8989 NORTH LOOP EAST  
 HOUSTON, TX 77029

IN-SWING ENTRANCE DOOR W/ SIDELITES (SLPS)  
 FIBERGLASS IMPACT GLAZED  
 INSTALLATION DETAILS

|                |                     |                 |
|----------------|---------------------|-----------------|
| DRAWN:<br>V.L. | DWG NO.<br>08-01887 | REV<br>B        |
| SCALE<br>NTS   | DATE<br>01/07/13    | SHEET<br>6 OF 9 |



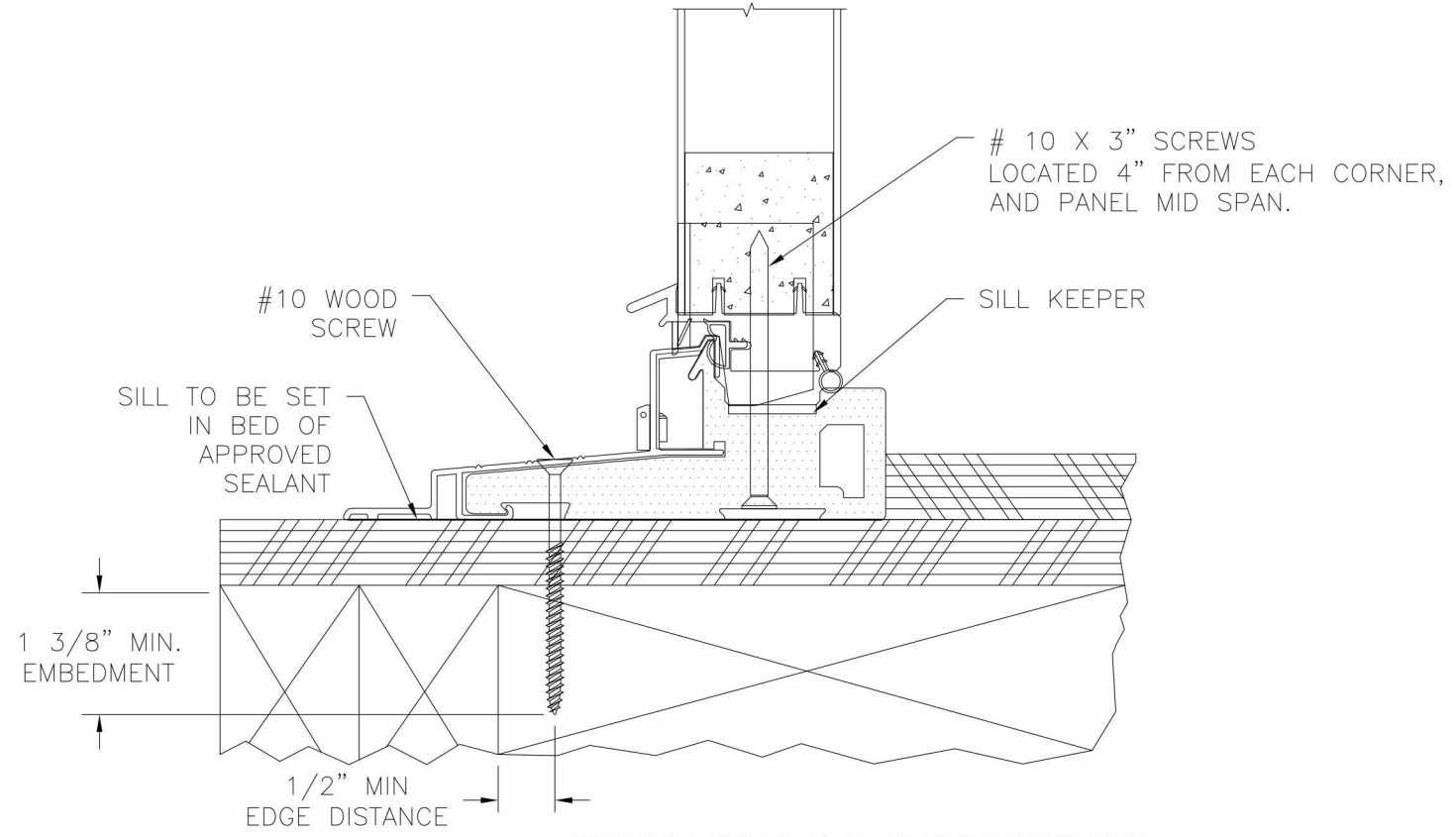
| REVISIONS |                                       |          |          |
|-----------|---------------------------------------|----------|----------|
| REV       | DESCRIPTION                           | DATE     | APPROVED |
| A         | ADDED EDGE DISTANCES                  | 11/05/14 | R.L.     |
| B         | REVISED SIDELITE INSTALLATION DETAILS | 05/26/15 | R.L.     |



**SIDELITE HORIZONTAL CROSS SECTION**  
2X BUCK/WOOD FRAMING INSTALLATION

**NOTES:**  
 1. INTERIOR AND EXTERIOR FINISHES, BY OTHERS, NOT SHOWN FOR CLARITY.  
 2. PERIMETER AND JOINT SEALANT BY OTHERS TO BE DESIGNED IN ACCORDANCE WITH ASTM E2112

SIGNED: 05/26/2015



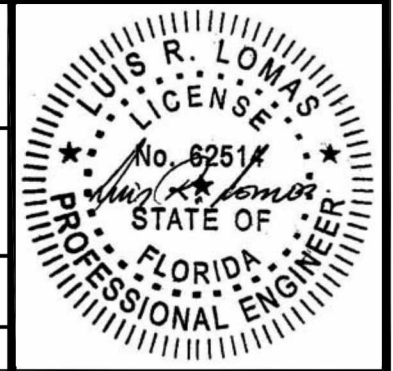
**SIDELITE VERTICAL CROSS SECTION**  
2X BUCK/WOOD FRAMING INSTALLATION

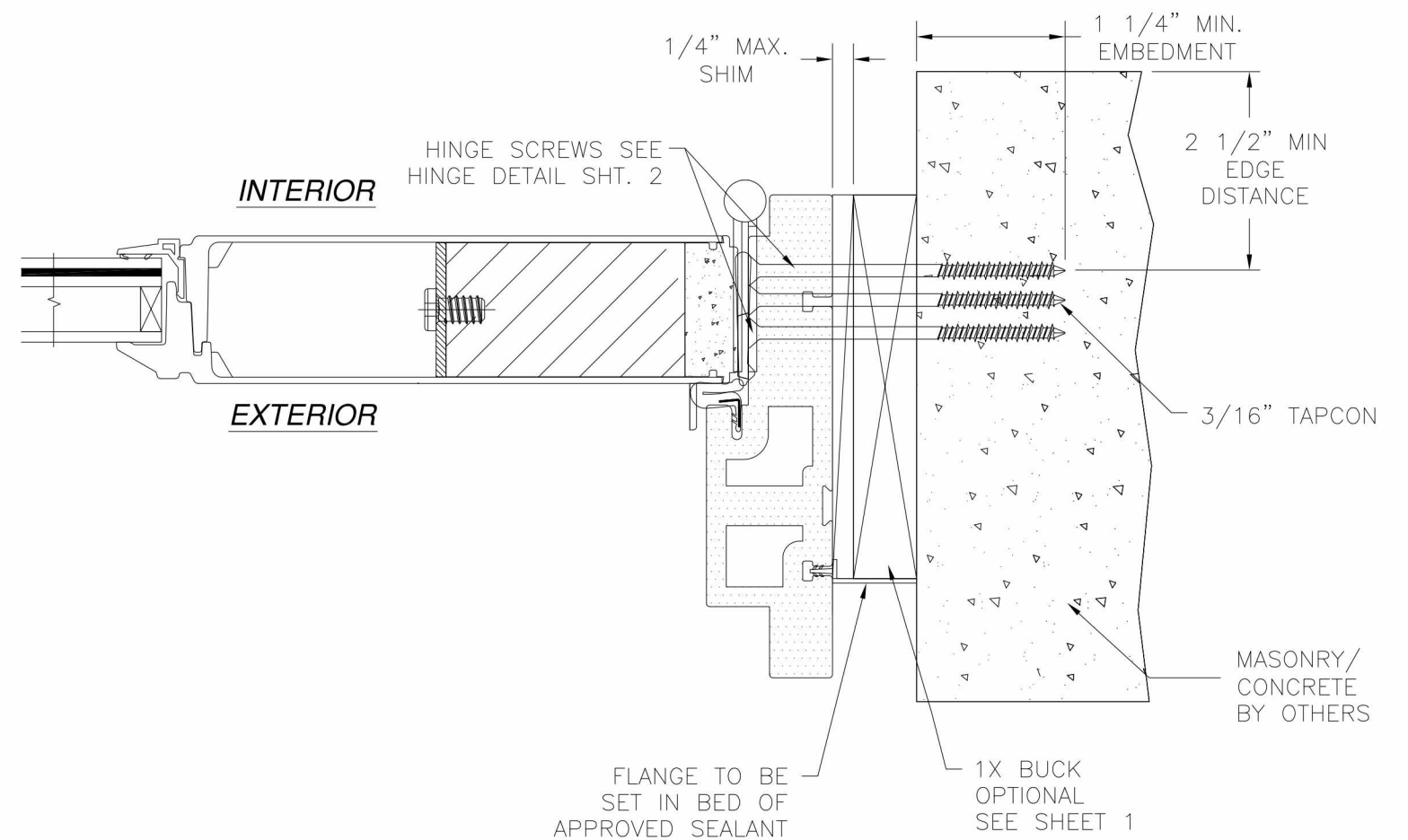
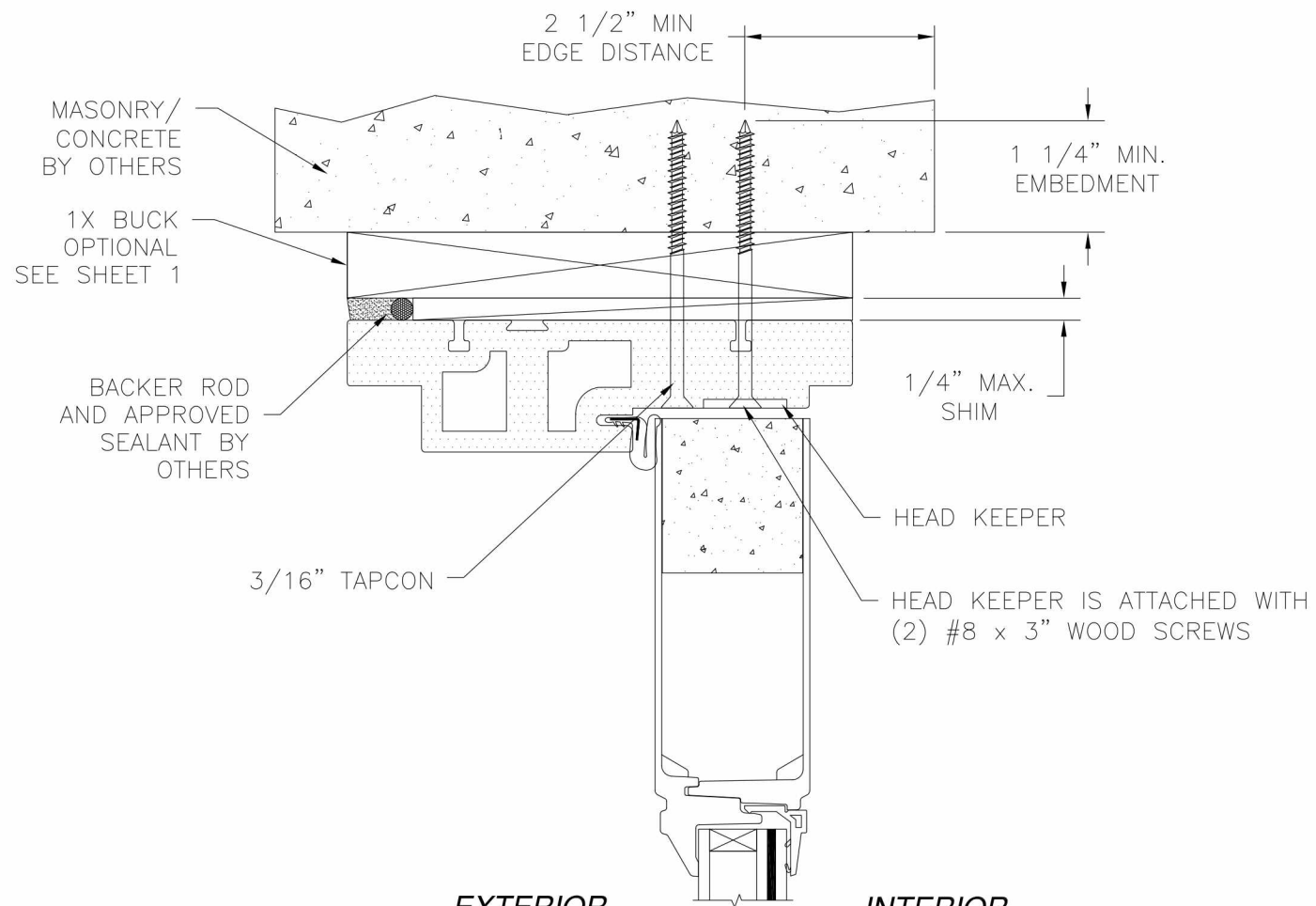
NAN YA PLASTICS CORP. USA  
 8989 NORTH LOOP EAST  
 HOUSTON, TX 77029

IN-SWING ENTRANCE DOOR W/ SIDELITES (SLPS)  
 FIBERGLASS IMPACT GLAZED  
 INSTALLATION DETAILS

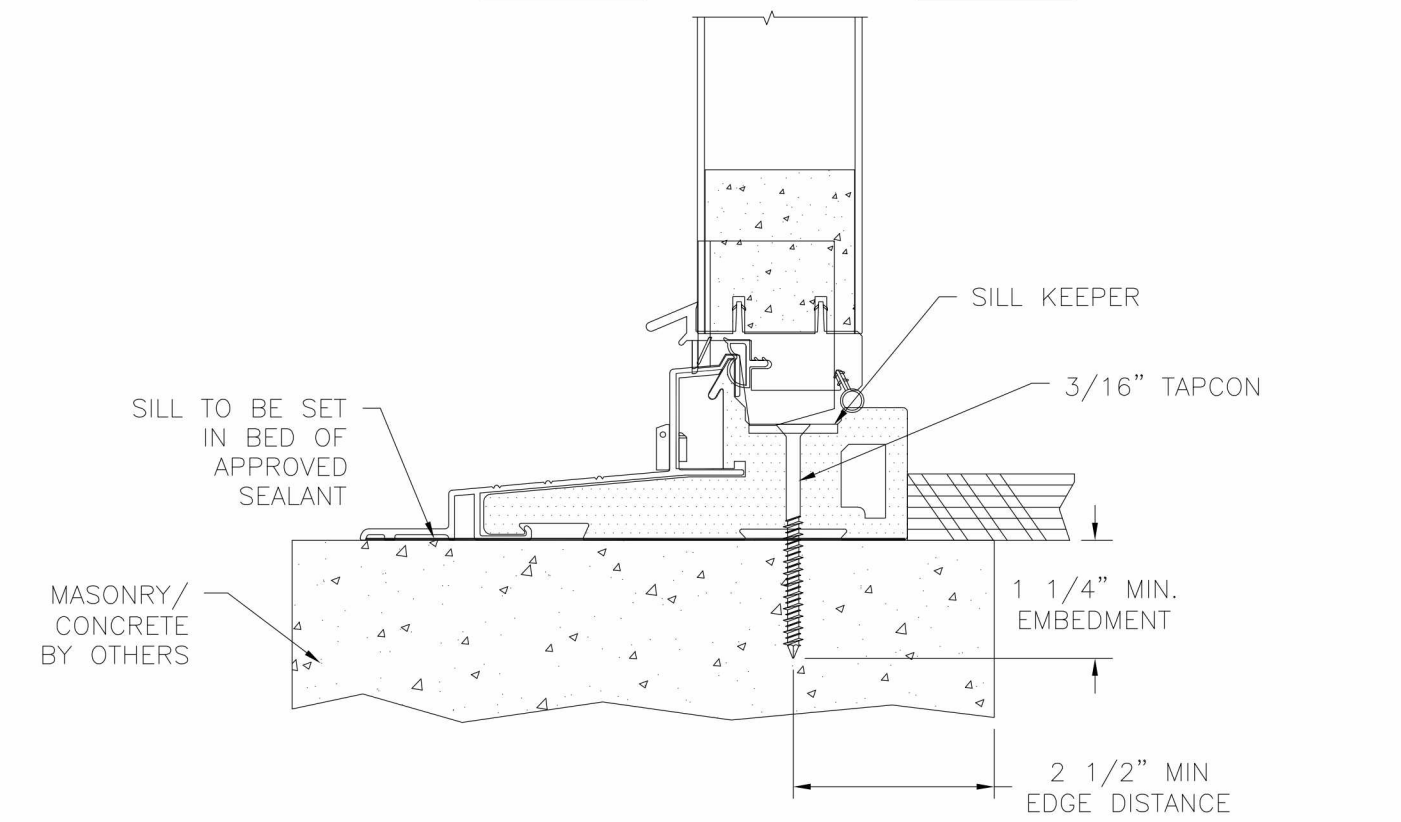
DRAWN: V.L.      DWG NO. 08-01887      REV B

SCALE NTS      DATE 01/07/13      SHEET 7 OF 9





**DOOR HORIZONTAL CROSS SECTION**  
MASONRY/CONCRETE INSTALLATION



**DOOR VERTICAL CROSS SECTION**  
MASONRY/CONCRETE INSTALLATION

| REVISIONS |                                       |          |          |
|-----------|---------------------------------------|----------|----------|
| REV       | DESCRIPTION                           | DATE     | APPROVED |
| A         | ADDED EDGE DISTANCES                  | 11/05/14 | R.L.     |
| B         | REVISED SIDELITE INSTALLATION DETAILS | 05/26/15 | R.L.     |

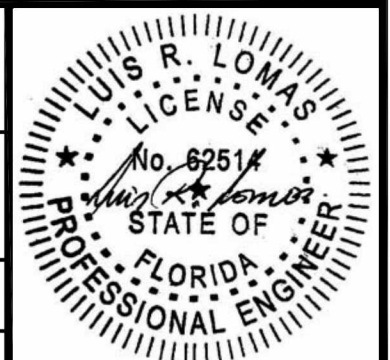
- NOTES:**
- INTERIOR AND EXTERIOR FINISHES, BY OTHERS, NOT SHOWN FOR CLARITY.
  - PERIMETER AND JOINT SEALANT BY OTHERS TO BE DESIGNED IN ACCORDANCE WITH ASTM E2112

SIGNED: 05/26/2015

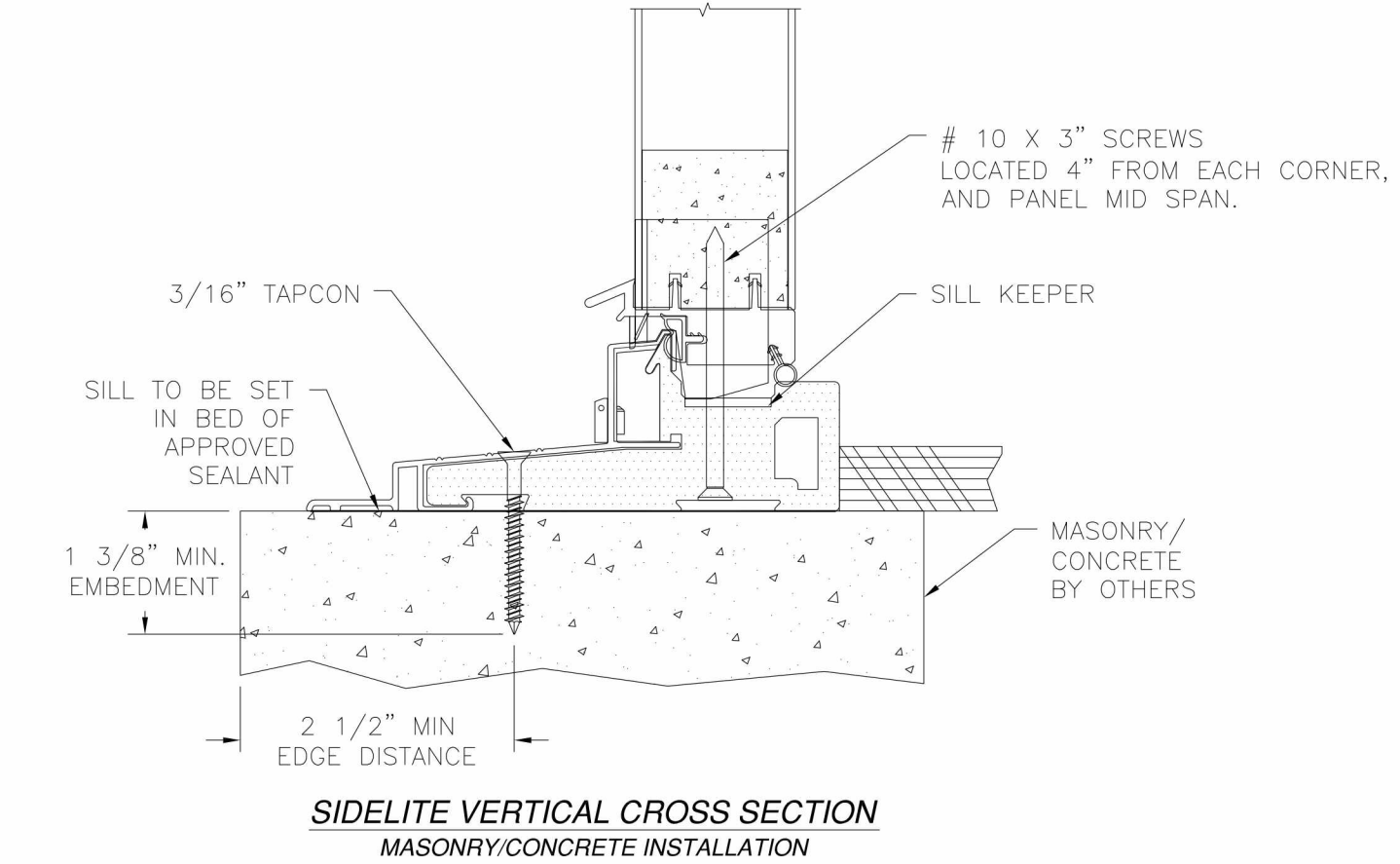
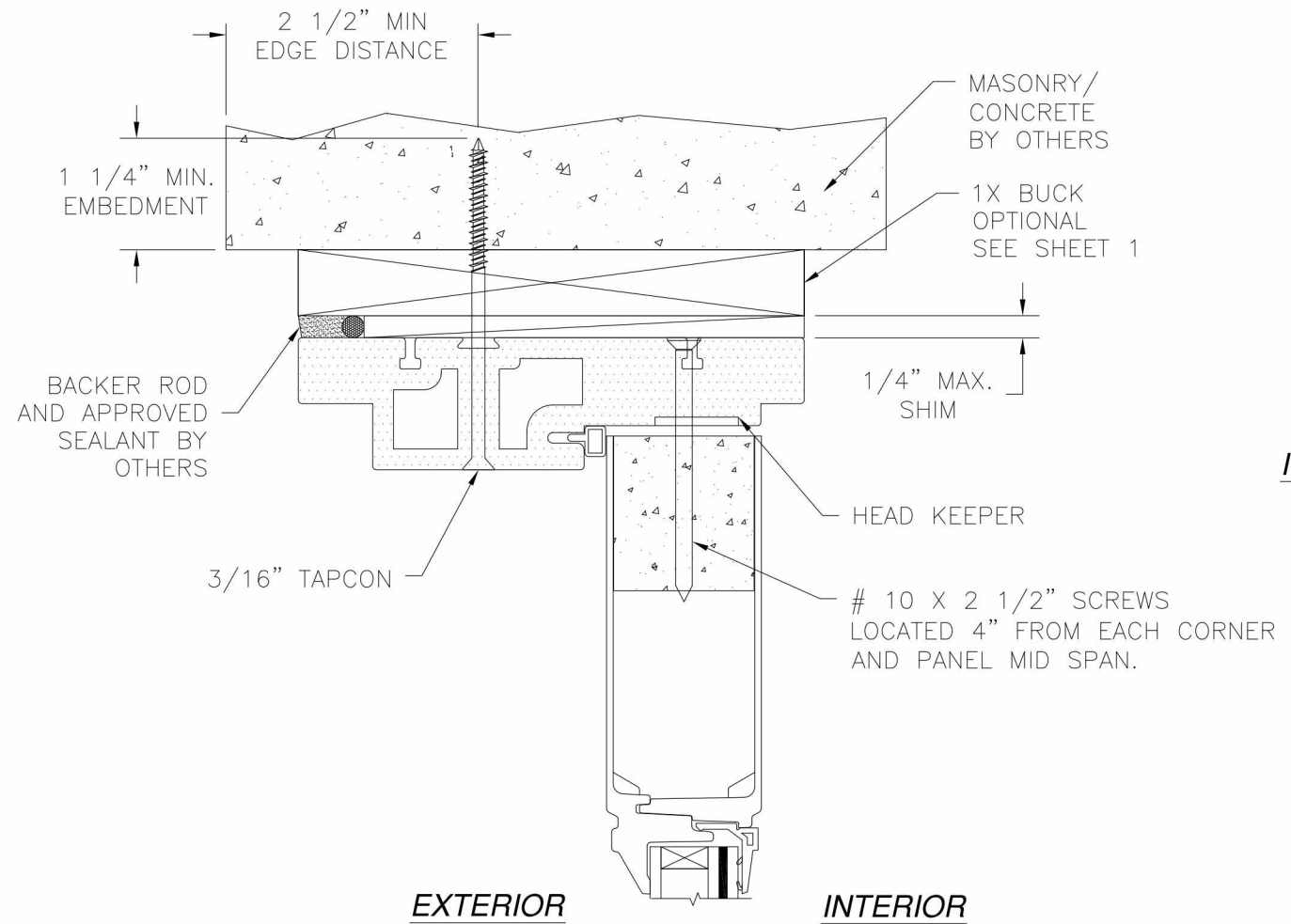
**NAN YA PLASTICS CORP. USA**  
8989 NORTH LOOP EAST  
HOUSTON, TX 77029

IN-SWING ENTRANCE DOOR W/ SIDELITES (SLPS)  
FIBERGLASS IMPACT GLAZED  
INSTALLATION DETAILS

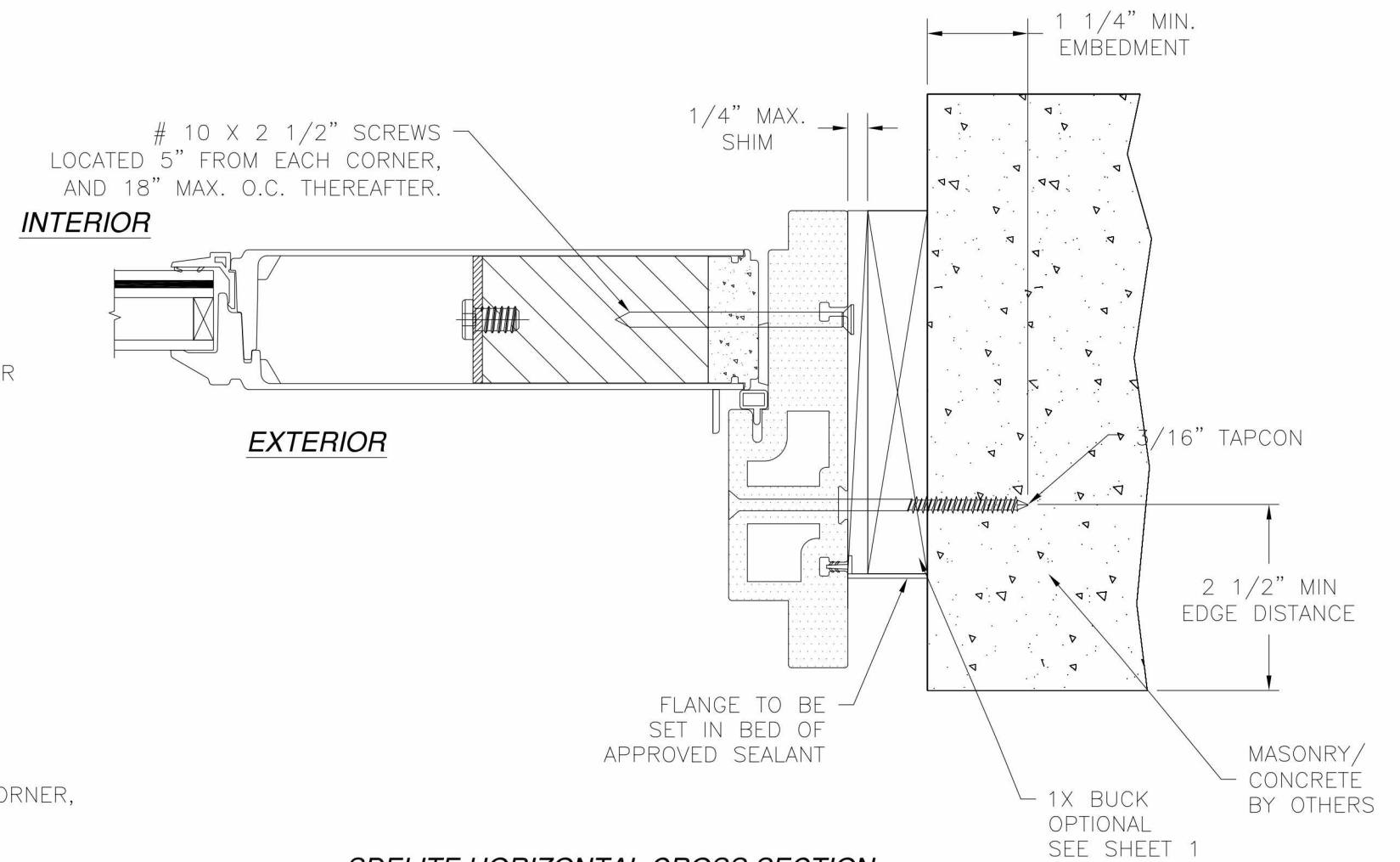
|                |                     |                 |
|----------------|---------------------|-----------------|
| DRAWN:<br>V.L. | DWG NO.<br>08-01887 | REV<br>B        |
| SCALE<br>NTS   | DATE<br>01/07/13    | SHEET<br>8 OF 9 |



| REVISIONS |                                       |          |          |
|-----------|---------------------------------------|----------|----------|
| REV       | DESCRIPTION                           | DATE     | APPROVED |
| A         | ADDED EDGE DISTANCES                  | 11/05/14 | R.L.     |
| B         | REVISED SIDELITE INSTALLATION DETAILS | 05/26/15 | R.L.     |



**SIDELITE VERTICAL CROSS SECTION**  
MASONRY/CONCRETE INSTALLATION



**SIDELITE HORIZONTAL CROSS SECTION**  
MASONRY/CONCRETE INSTALLATION

**NOTES:**  
 1. INTERIOR AND EXTERIOR FINISHES, BY OTHERS, NOT SHOWN FOR CLARITY.  
 2. PERIMETER AND JOINT SEALANT BY OTHERS TO BE DESIGNED IN ACCORDANCE WITH ASTM E2112

SIGNED: 05/26/2015

**NAN YA PLASTICS CORP. USA**  
 8989 NORTH LOOP EAST  
 HOUSTON, TX 77029

IN-SWING ENTRANCE DOOR W/ SIDELITES (SLPS)  
 FIBERGLASS IMPACT GLAZED  
 INSTALLATION DETAILS

|                |                     |                 |
|----------------|---------------------|-----------------|
| DRAWN:<br>V.L. | DWG NO.<br>08-01887 | REV<br>B        |
| SCALE<br>NTS   | DATE<br>01/07/13    | SHEET<br>9 OF 9 |

