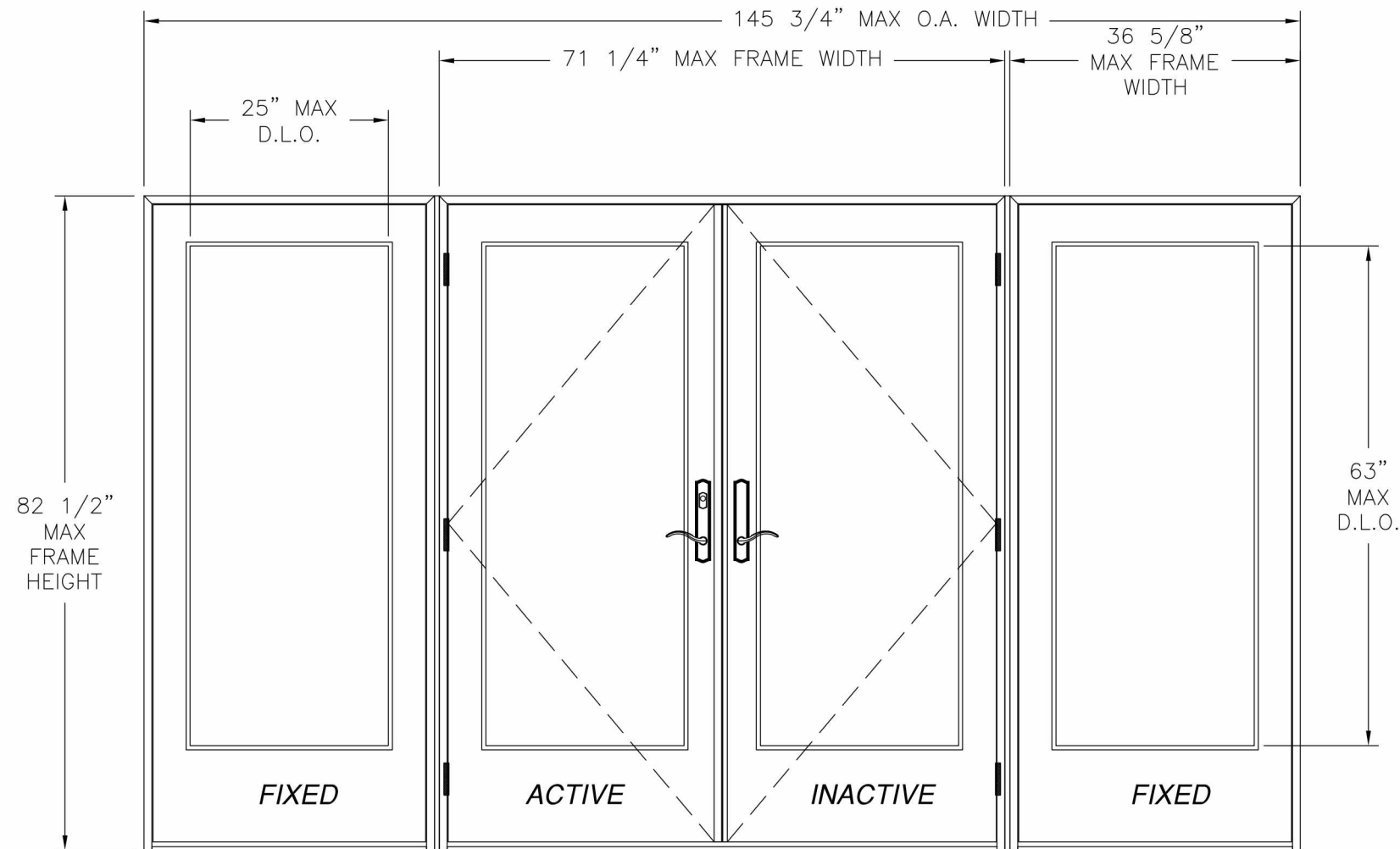


REVISIONS			
REV	DESCRIPTION	DATE	APPROVED
A	ADDED EDGE DISTANCES	11/05/14	R.L
B	REVISED SIDELITE INSTALLATION DETAILS	05/14/15	R.L



**OUT-SWING ENTRANCE DOUBLE DOOR (SLPS)  
W/ SIDELITES FIBERGLASS CLAD  
EXTERIOR VIEW**

DESIGN PRESSURE RATING	IMPACT RATING
±70.0PSF	LARGE AND SMALL MISSILE IMPACT

MISSILE LEVEL D, WIND ZONE 4

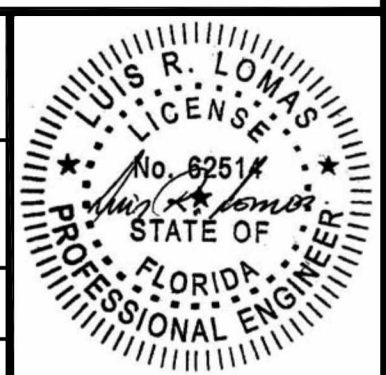
NOTES:

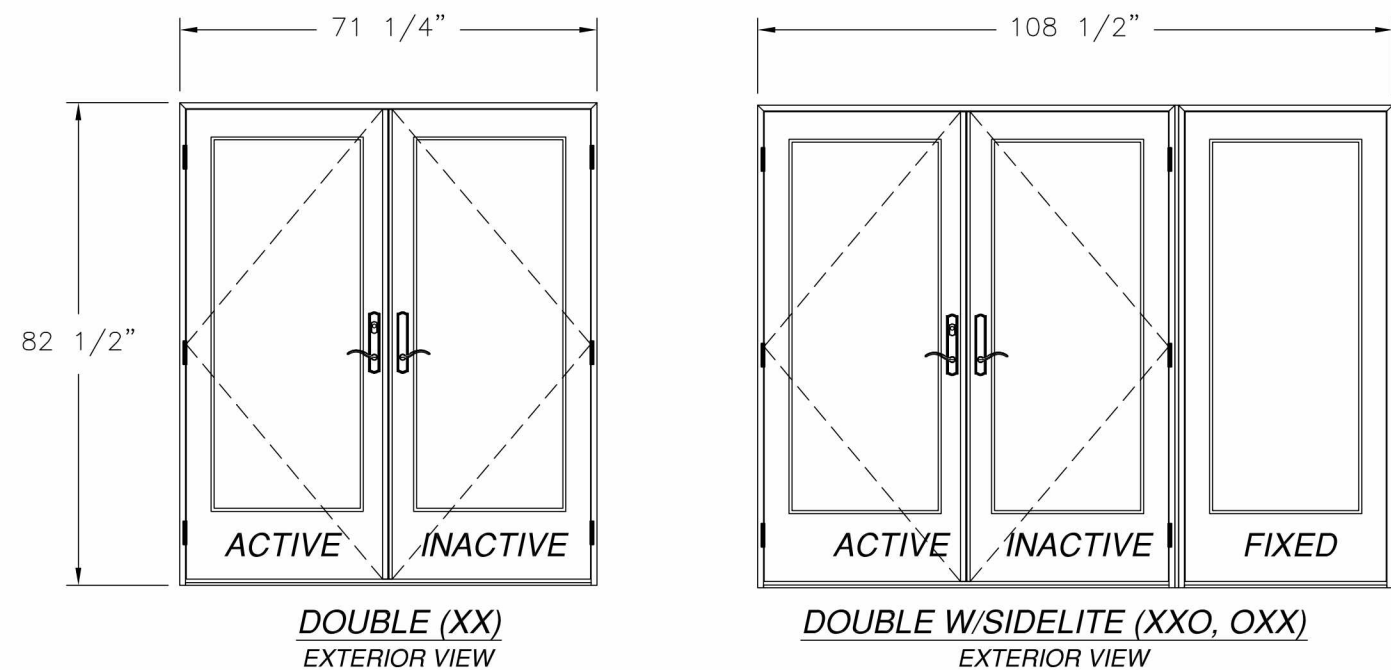
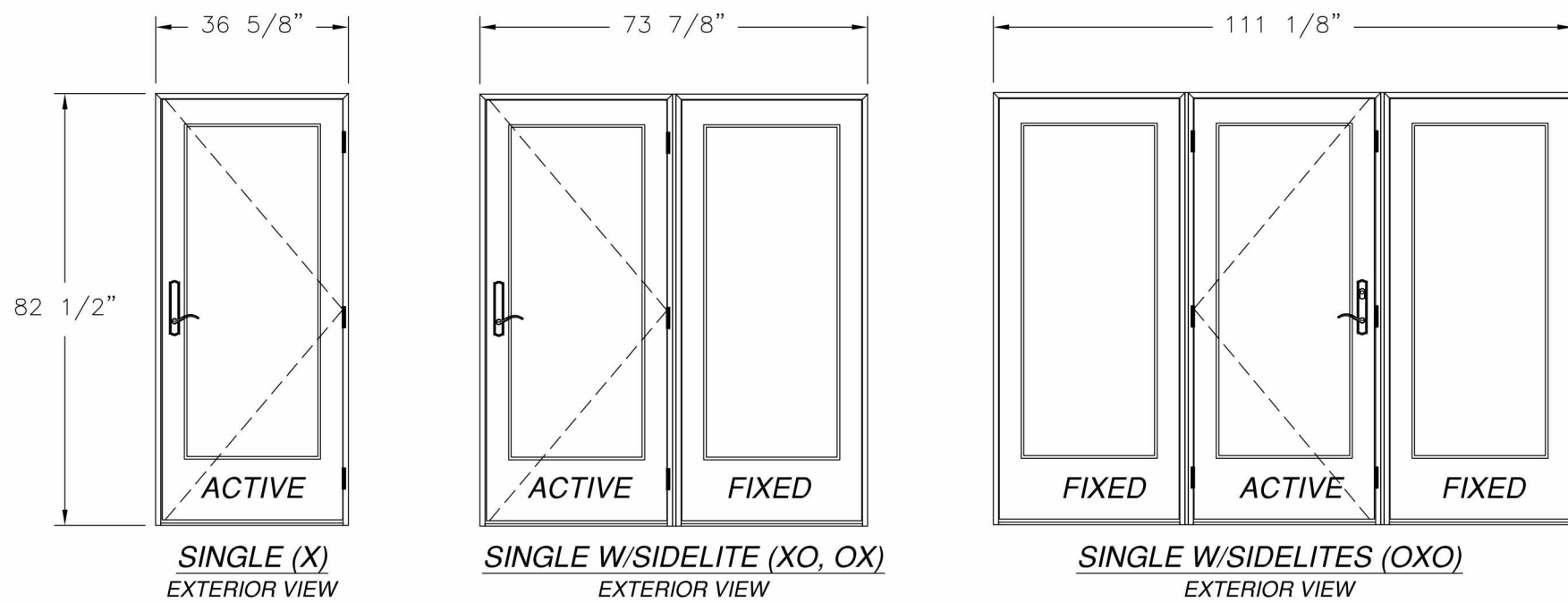
- 1) THE PRODUCT SHOWN HEREIN IS DESIGNED AND MANUFACTURED TO COMPLY WITH REQUIREMENTS OF FLORIDA BUILDING CODE.
- 2) WOOD FRAMING AND MASONRY OPENING TO BE DESIGNED AND ANCHORED TO PROPERLY TRANSFER ALL LOADS TO STRUCTURE. WOOD FRAMING OPENING IS THE RESPONSIBILITY OF THE ARCHITECT OR ENGINEER OF RECORD.
- 3) 1X BUCK OVER MASONRY/CONCRETE IS OPTIONAL. WHERE 1X BUCK IS NOT USED DISSIMILAR MATERIALS MUST BE SEPARATED WITH APPROVED COATING OR MEMBRANE. SELECTION OF COATING OR MEMBRANE IS THE RESPONSIBILITY OF THE ARCHITECT OR ENGINEER OF RECORD.
- 4) APPROVED IMPACT PROTECTIVE SYSTEM IS NOT REQUIRED FOR THIS PRODUCT IN WIND BORNE DEBRIS REGIONS.
- 5) UNITS MUST BE GLAZED PER ASTM E1300-04. SEE SHEET 5 FOR GLAZING DETAIL.
- 6) ALLOWABLE STRESS INCREASE OF 1/3 WAS NOT USED IN THE DESIGN OF THE PRODUCT SHOWN HEREIN. WIND LOAD DURATION FACTOR Cd=1.6 WAS USED FOR WOOD ANCHOR CALCULATIONS.
- 7) FRAME JAMB AND HEAD MATERIAL: CO-EXTRUDED PVC FOAM.
- 8) FRAME SILL MATERIAL: CO-EXTRUDED PVC FOAM WITH ALUMINUM CLADDING.
- 9) DOOR PANEL SIDELITE MATERIAL: FIBERGLASS SKIN WITH PVC FOAM TOP AND BOTTOM RAILS, AND PVC FOAM VERTICAL STILES WITH PINE REINFORCEMENTS AND POLYURETHANE FOAM CORE.
- 10) HINGE LOCATION: 9", 40 7/8" AND 72 1/2" FROM BOTTOM.
- 11) MAX PANEL SIZE: 34 1/2" X 80 5/16"

SIGNED: 05/14/2015

TABLE OF CONTENTS	
SHEET NO.	DESCRIPTION
1, 2	ELEVATION AND NOTES
3, 4	ANCHORING LAYOUTS
5 - 9	INSTALLATION DETAILS

<b>NAN YA PLASTICS CORP. USA</b> 8989 NORTH LOOP EAST HOUSTON, TX 77029		
OUT-SWING ENTRANCE DOOR (SLPS) W/ & W/O SIDELITES FIBERGLASS CLAD ELEVATION AND NOTES		
DRAWN: V.L.	DWG NO. 08-01888	REV B
SCALE NTS	DATE 01/07/13	SHEET 1 OF 9





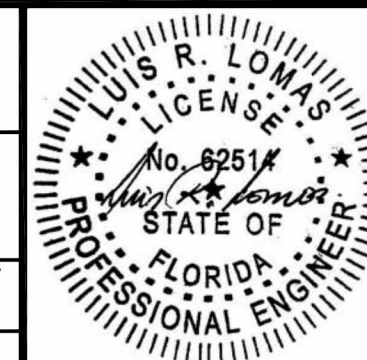
REVISIONS			
REV	DESCRIPTION	DATE	APPROVED
A	ADDED EDGE DISTANCES	11/05/14	R.L
B	REVISED SIDELITE INSTALLATION DETAILS	05/14/15	R.L

SIGNED: 05/14/2015

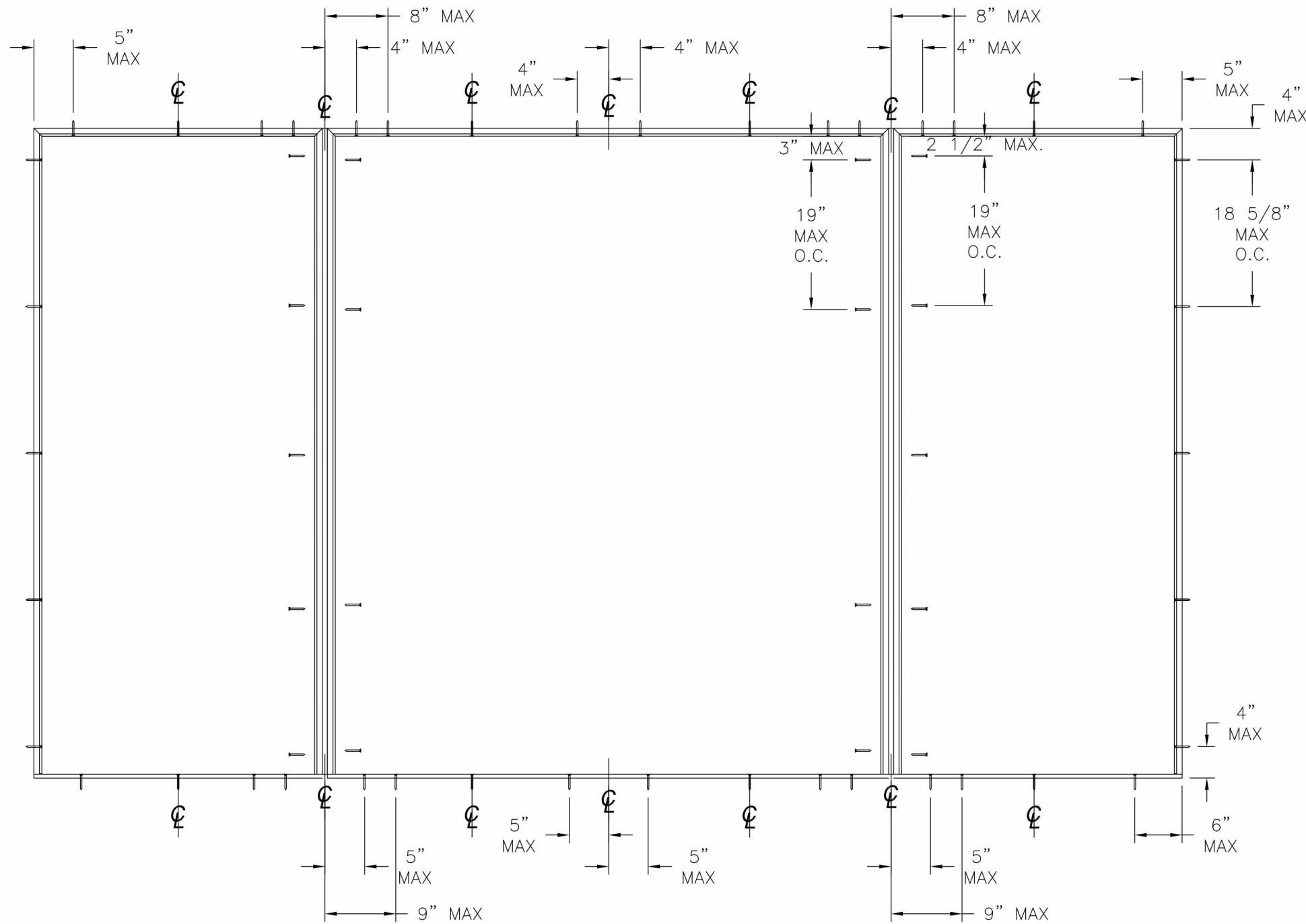
NAN YA PLASTICS CORP. USA  
8989 NORTH LOOP EAST  
HOUSTON, TX 77029

OUT-SWING ENTRANCE DOOR (SLPS)  
W/ & W/O SIDELITES FIBERGLASS CLAD  
APPROVED ELEVATIONS

DRAWN: V.L.	DWG NO. 08-01888	REV B
SCALE NTS	DATE 01/07/13	SHEET 2 OF 9



REVISIONS			
REV	DESCRIPTION	DATE	APPROVED
A	ADDED EDGE DISTANCES	11/05/14	R.L
B	REVISED SIDELITE INSTALLATION DETAILS	05/14/15	R.L



ANCHORING LAYOUT

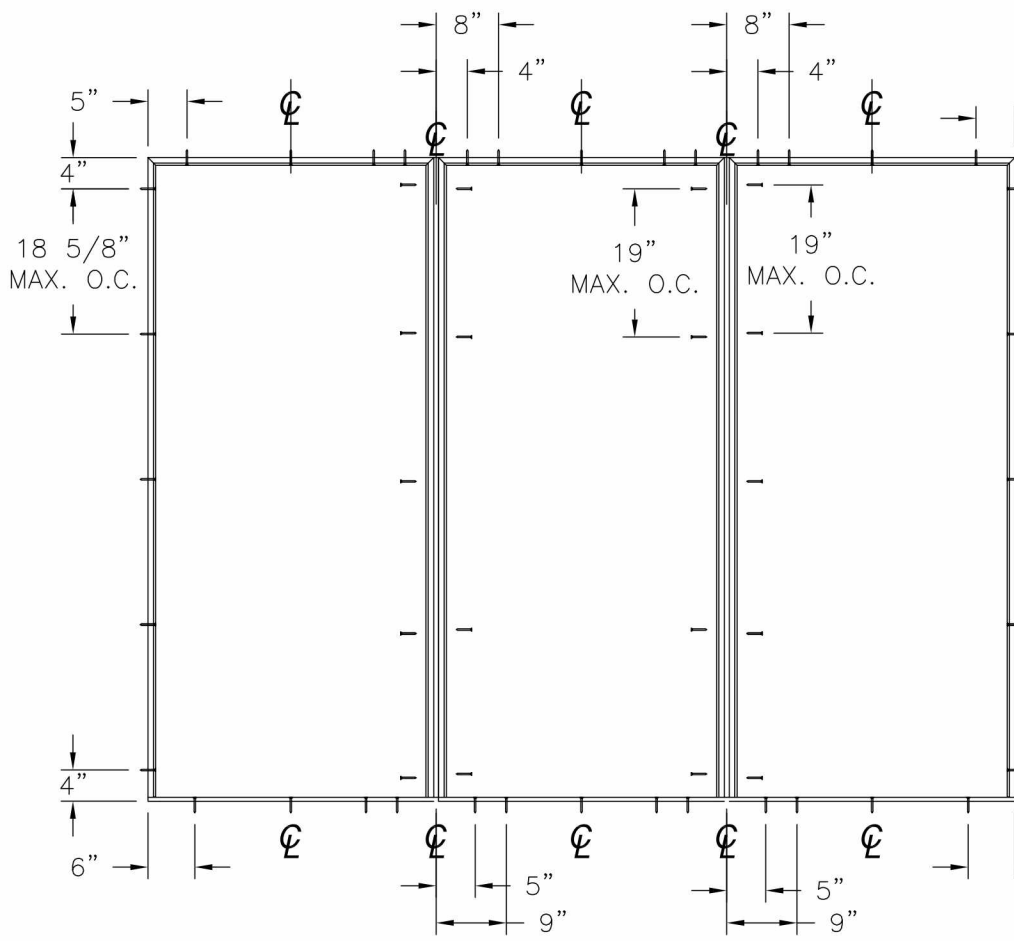
ANCHORING NOTES:

- 1) SHIM AS REQUIRED AT EACH INSTALLATION ANCHOR WITH LOAD BEARING SHIM. SHIM WHERE SPACE OF 1/16" OR GREATER OCCURS. MAXIMUM ALLOWABLE SHIM STACK TO BE 1/4".
- 2) FOR ANCHORING INTO MASONRY/CONCRETE USE 3/16" TAPCON OF SUFFICIENT LENGTH TO ACHIEVE A 1 1/4" MINIMUM EMBEDMENT INTO SUBSTRATE. LOCATE ANCHORS AS SHOWN IN ANCHORING LAYOUT AND INSTALLATION DETAILS.
- 3) FOR ANCHORING INTO 2X BUCK OR WOOD FRAMING USE #10 WOOD SCREW OF SUFFICIENT LENGTH TO ACHIEVE A 1 3/8" MINIMUM EMBEDMENT INTO SUBSTRATE. LOCATE ANCHORS AS SHOWN IN ANCHORING LAYOUT AND INSTALLATION DETAILS.
- 4) ALL FASTENERS TO BE CORROSION RESISTANT.
- 5) INSTALLATION ANCHORS SHALL BE INSTALLED IN ACCORDANCE WITH ANCHOR MANUFACTURER'S INSTALLATION INSTRUCTIONS, AND ANCHORS SHALL NOT BE USED IN SUBSTRATES WITH STRENGTHS LESS THAN THE MINIMUM STRENGTH SPECIFIED BELOW:  
 A. WOOD – MINIMUM SPECIFIC GRAVITY OF G=0.42  
 B. CONCRETE – MINIMUM COMPRESSIVE STRENGTH OF 3,200 PSI.  
 C. MASONRY – STRENGTH CONFORMANCE TO ASTM C-90, GRADE N, TYPE 1 (OR GREATER).

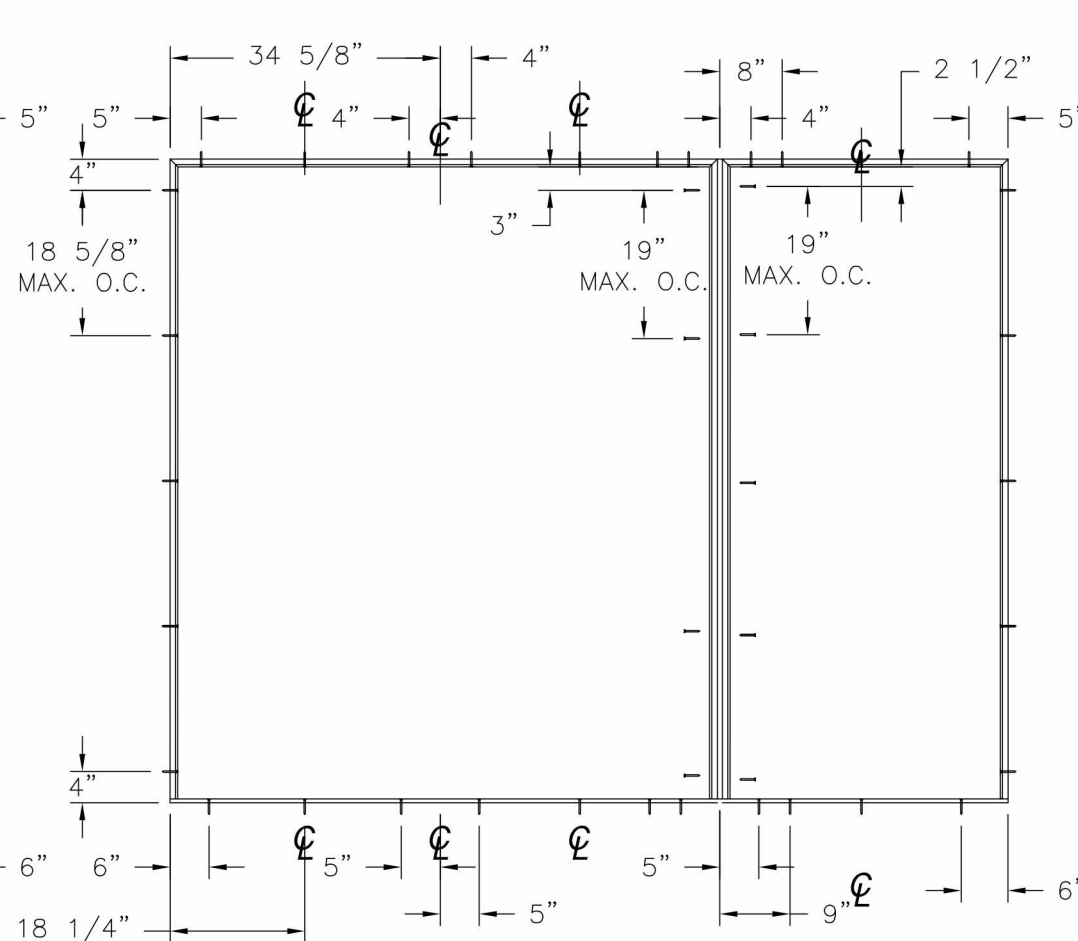
SIGNED: 05/14/2015

NAN YA PLASTICS CORP. USA 8989 NORTH LOOP EAST HOUSTON, TX 77029		
OUT-SWING ENTRANCE DOOR (SLPS) W/ & W/O SIDELITES FIBERGLASS CLAD ANCHORING LAYOUT		
DRAWN: V.L.	DWG NO. 08-01888	REV B
SCALE NTS	DATE 01/07/13	SHEET 3 OF 9

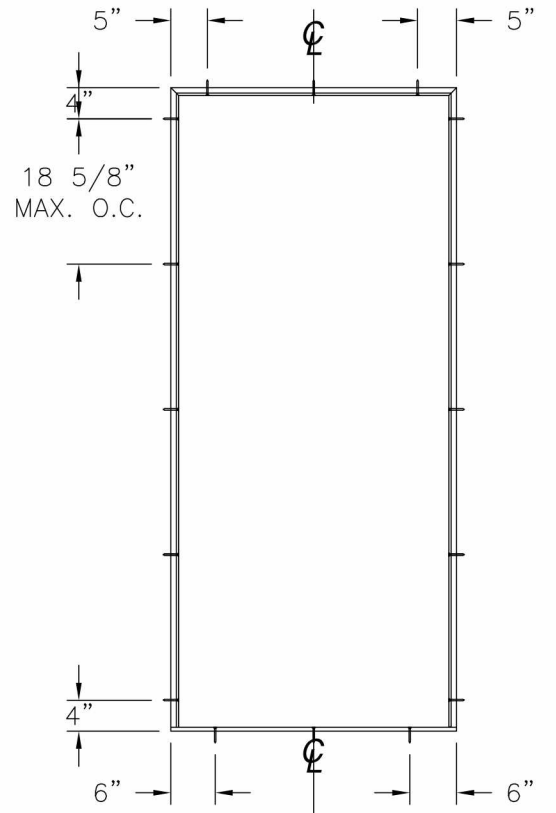




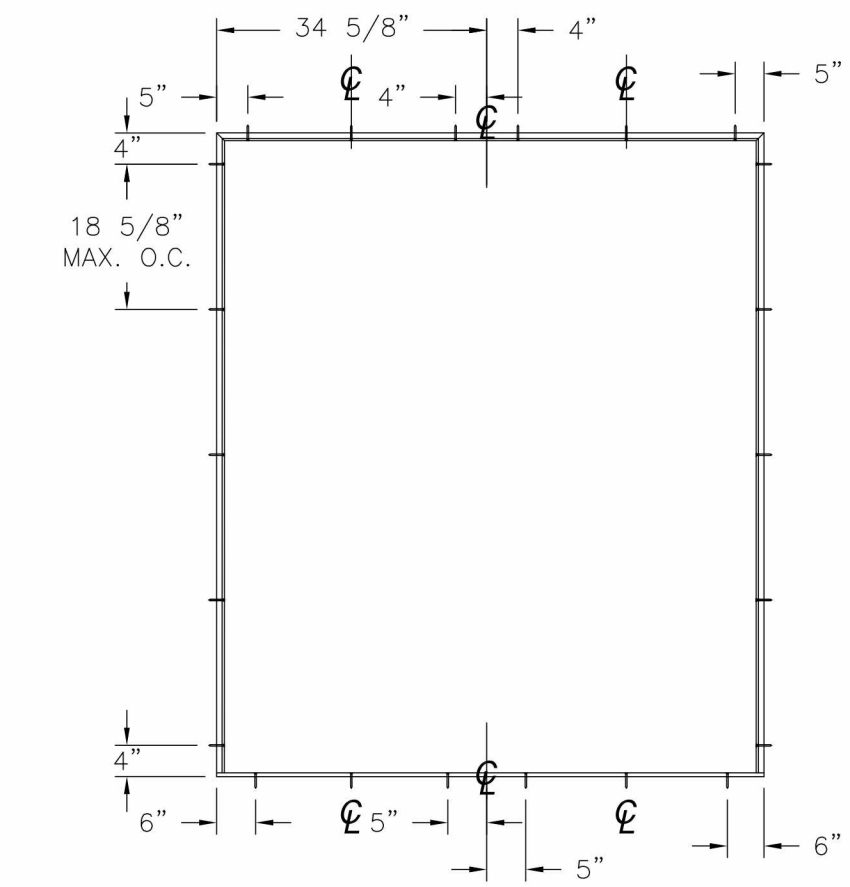
ANCHORING LAYOUT FOR OXO



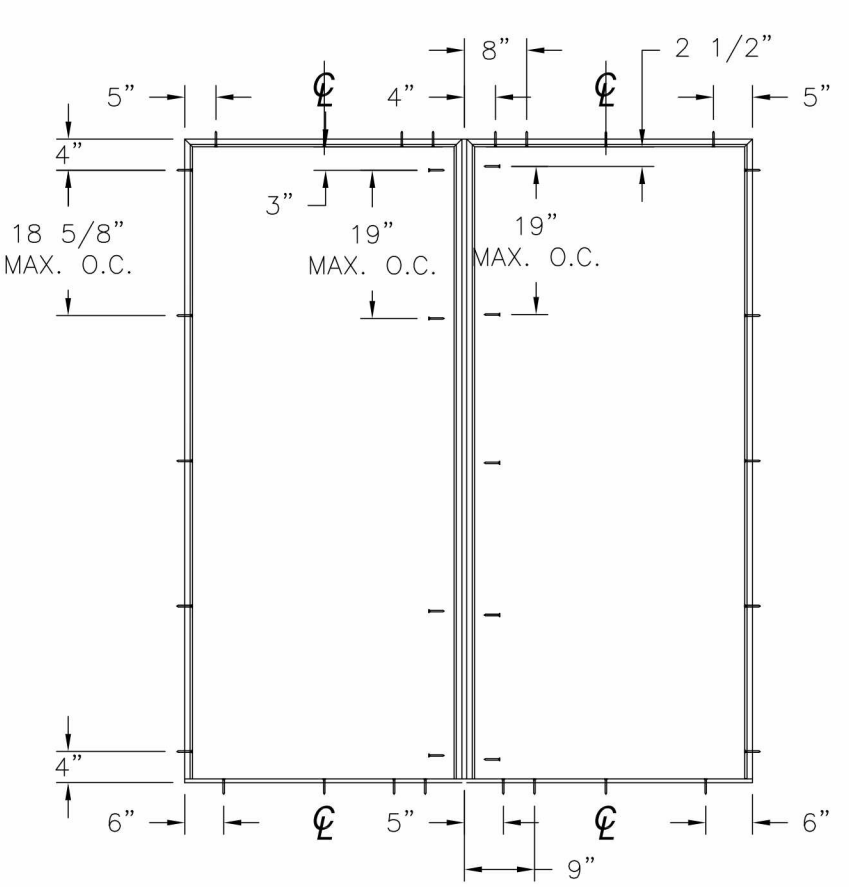
ANCHORING LAYOUT FOR XXO AND OXX



ANCHORING LAYOUT FOR X



ANCHORING LAYOUT FOR XX



ANCHORING LAYOUT FOR OX AND XO

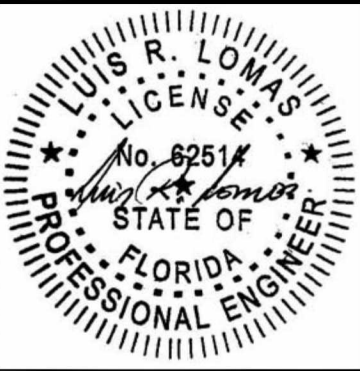
REVISIONS			
REV	DESCRIPTION	DATE	APPROVED
A	ADDED EDGE DISTANCES	11/05/14	R.L
B	REVISED SIDELITE INSTALLATION DETAILS	05/14/15	R.L

SIGNED: 05/14/2015

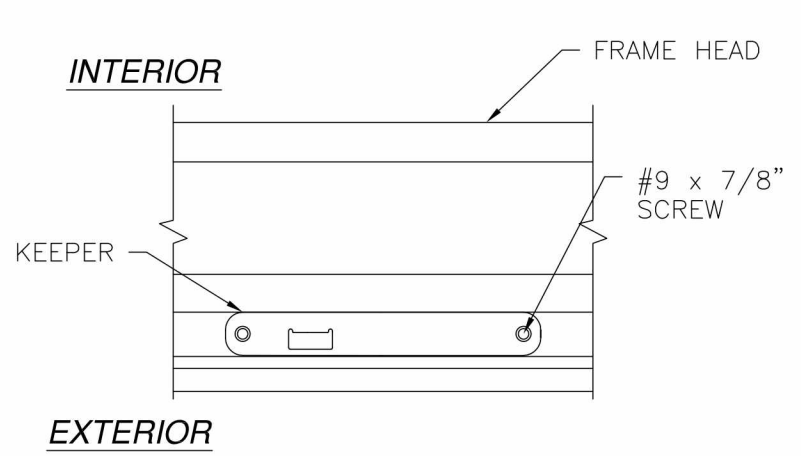
NAN YA PLASTICS CORP. USA  
 8989 NORTH LOOP EAST  
 HOUSTON, TX 77029

OUT-SWING ENTRANCE DOOR (SLPS)  
 W/ & W/O SIDELITES FIBERGLASS CLAD  
 ANCHORING LAYOUTS

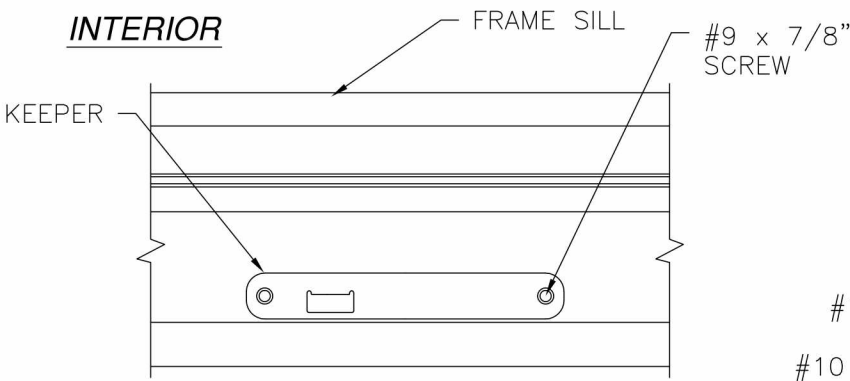
DRAWN: V.L.	DWG NO. 08-01888	REV B
SCALE NTS	DATE 01/07/13	SHEET 4 OF 9



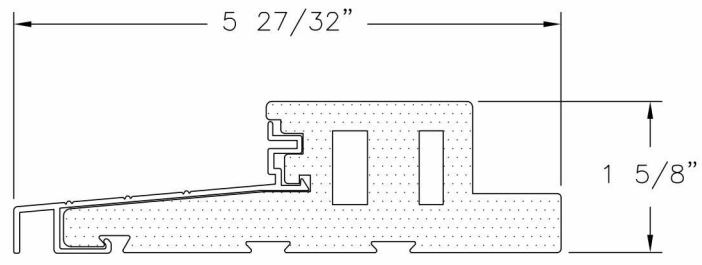




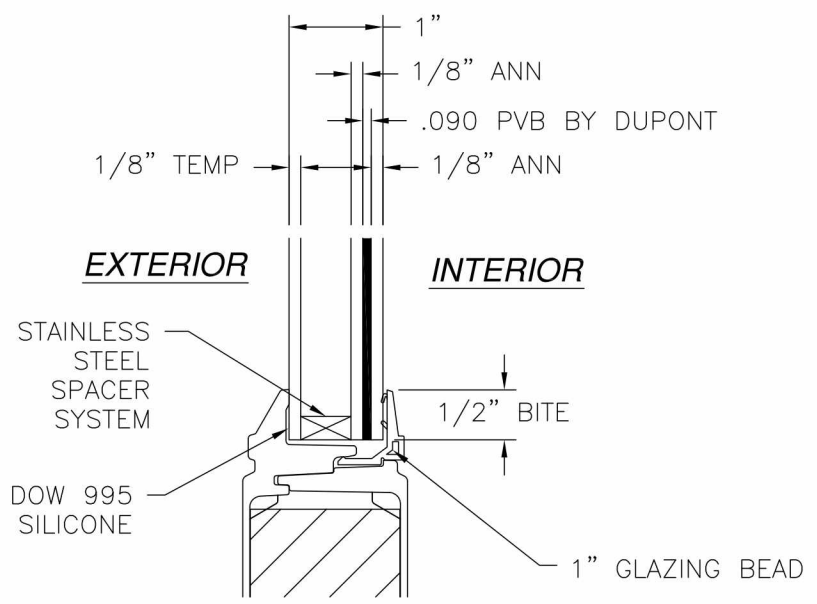
**HEAD KEEPER DETAIL**



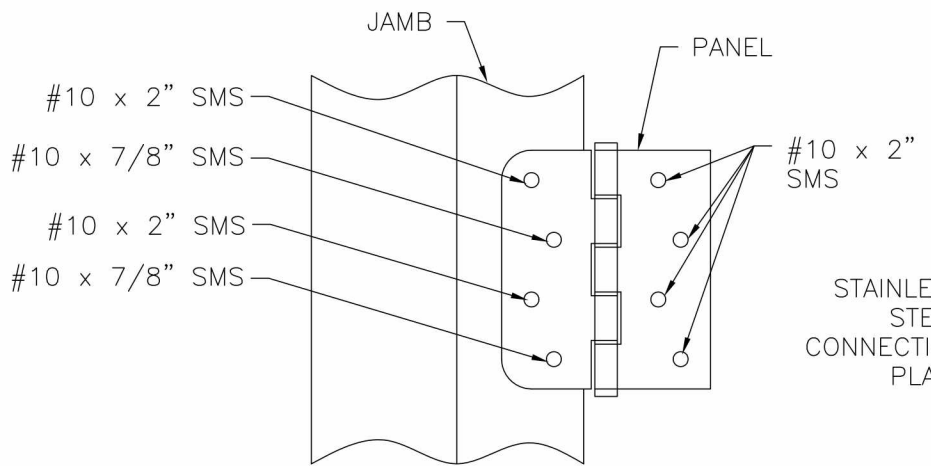
**SILL KEEPER DETAIL**



**OUTSWING DOOR SILL DETAIL**

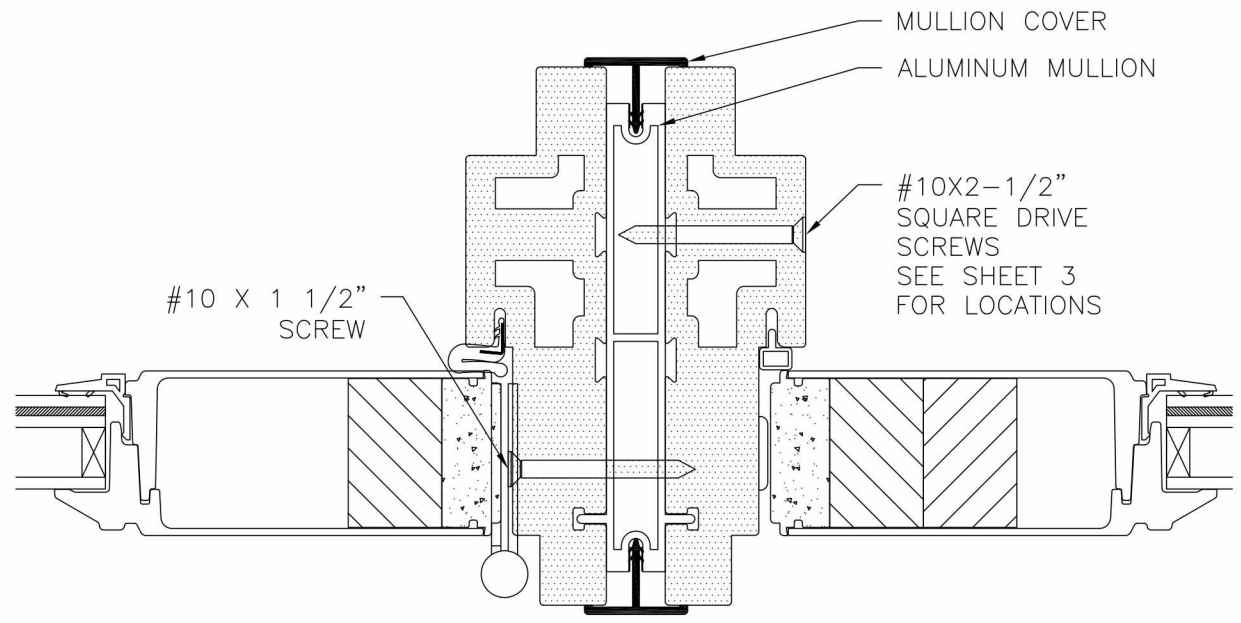


**GLAZING DETAIL**

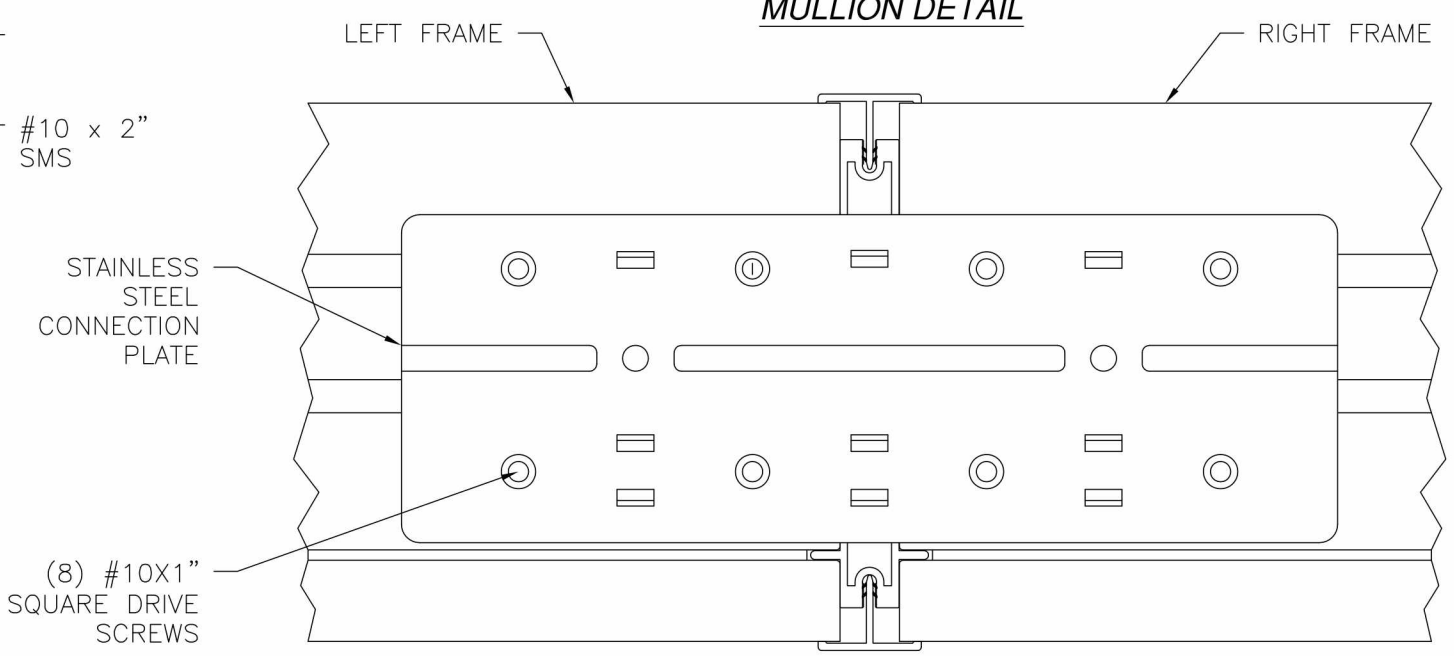


**HINGE INSTALLATION DETAIL**

REVISIONS			
REV	DESCRIPTION	DATE	APPROVED
A	ADDED EDGE DISTANCES	11/05/14	R.L
B	REVISED SIDELITE INSTALLATION DETAILS	05/14/15	R.L



**MULLION DETAIL**



**FRAME CONNECTION DETAIL**

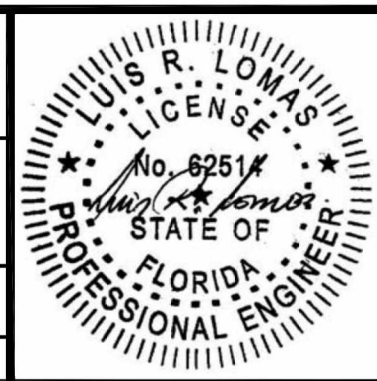
SIGNED: 05/14/2015

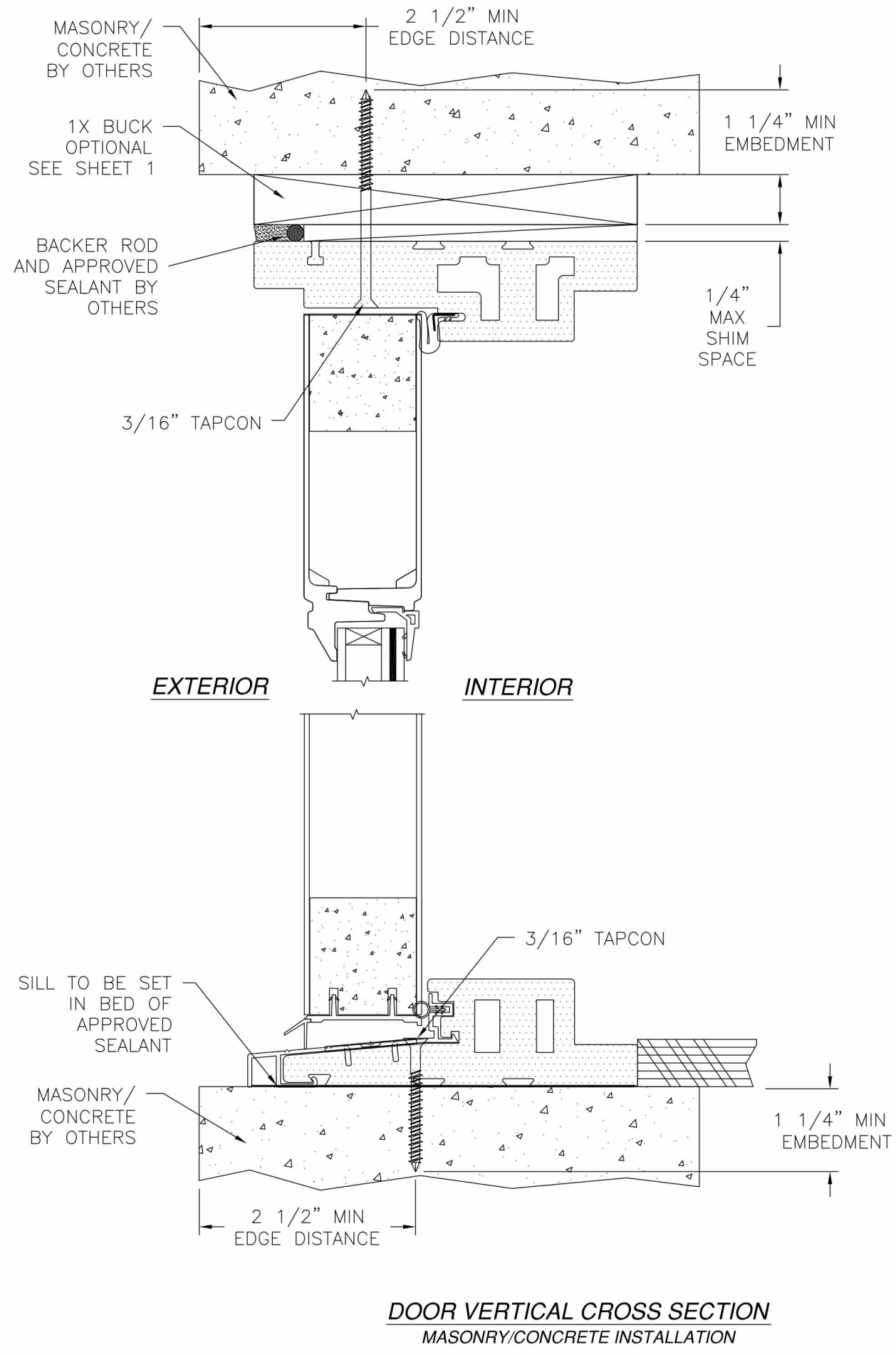
HARDWARE SCHEDULE	
A.	(3) 4" BUTT HINGE
B.	2 POINT LOCK SYSTEM
C.	RIGID PVC ASTRAGAL WITH ALUMINUM REINFORCEMENT

**NAN YA PLASTICS CORP. USA**  
 8989 NORTH LOOP EAST  
 HOUSTON, TX 77029

OUT-SWING ENTRANCE DOOR (SLPS)  
 W/ & W/O SIDELITES FIBERGLASS CLAD  
 INSTALLATION DETAILS

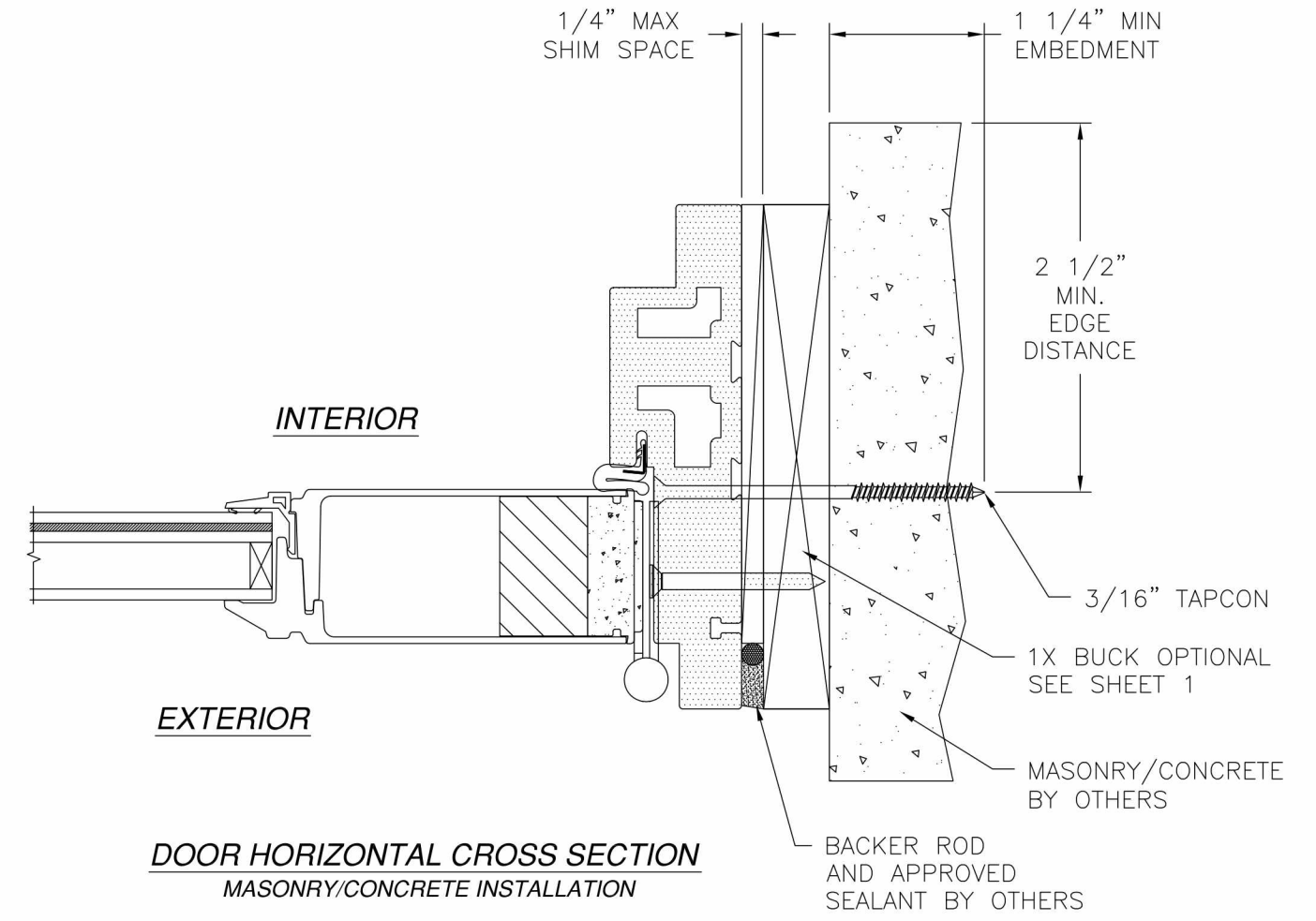
DRAWN: V.L.	DWG NO. 08-01888	REV B
SCALE NTS	DATE 01/07/13	SHEET 5 OF 9





**DOOR VERTICAL CROSS SECTION**  
MASONRY/CONCRETE INSTALLATION

REVISIONS			
REV	DESCRIPTION	DATE	APPROVED
A	ADDED EDGE DISTANCES	11/05/14	R.L
B	REVISED SIDELITE INSTALLATION DETAILS	05/14/15	R.L



**DOOR HORIZONTAL CROSS SECTION**  
MASONRY/CONCRETE INSTALLATION

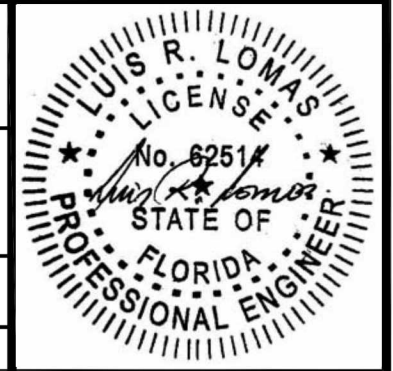
- NOTES:**
1. INTERIOR AND EXTERIOR FINISHES, BY OTHERS, NOT SHOWN FOR CLARITY.
  2. PERIMETER AND JOINT SEALANT BY OTHERS TO BE DESIGNED IN ACCORDANCE WITH ASTM E2112

SIGNED: 05/14/2015

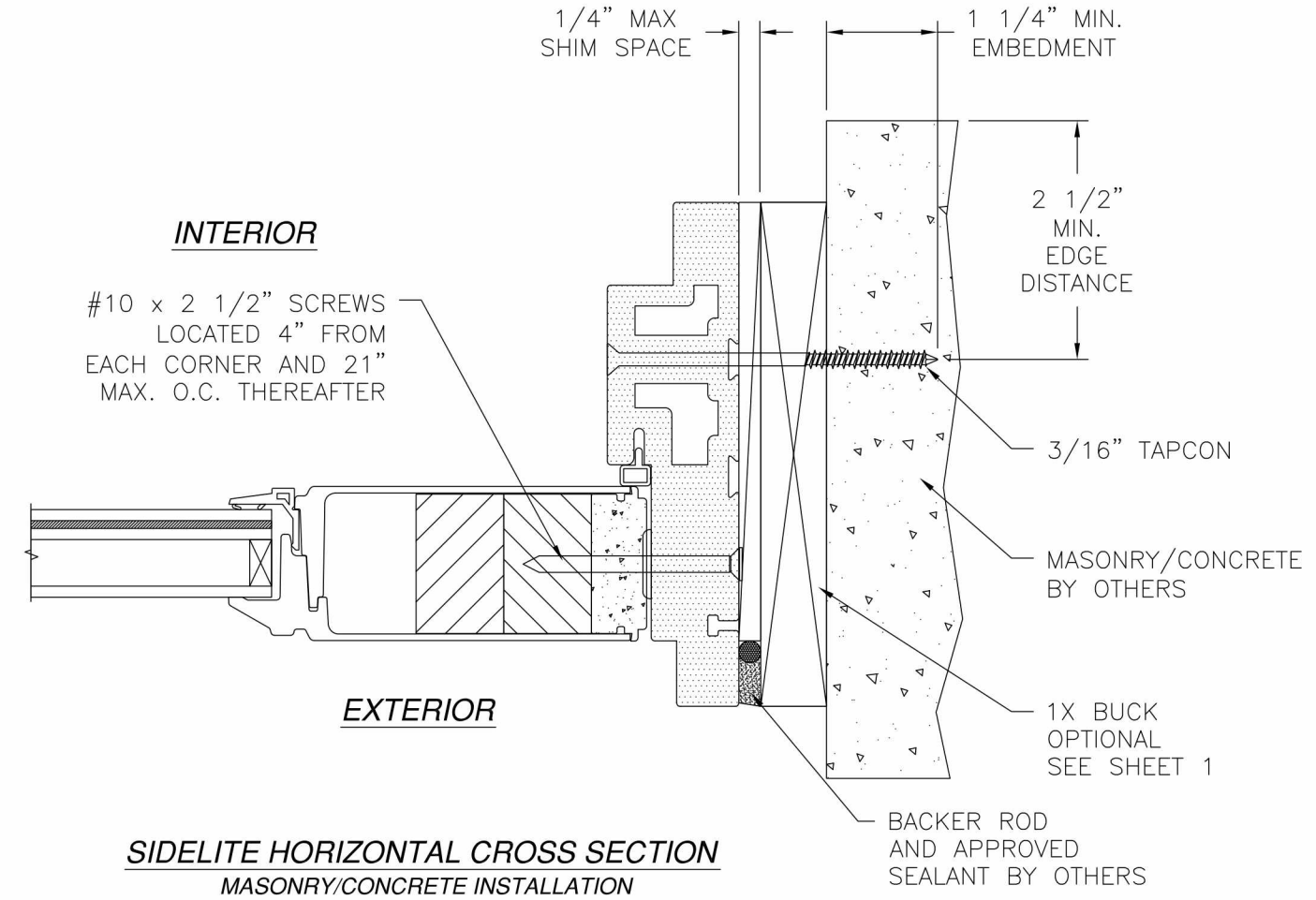
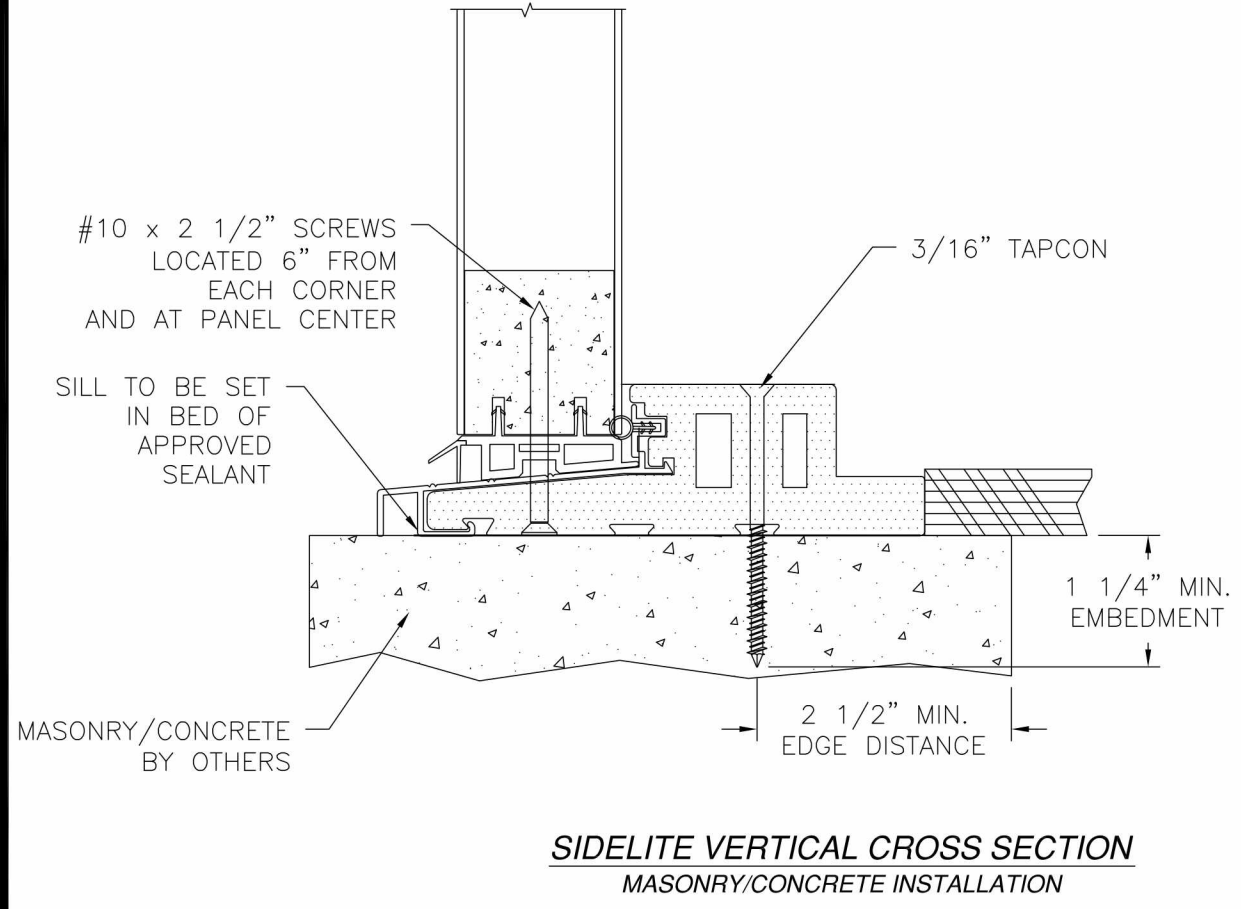
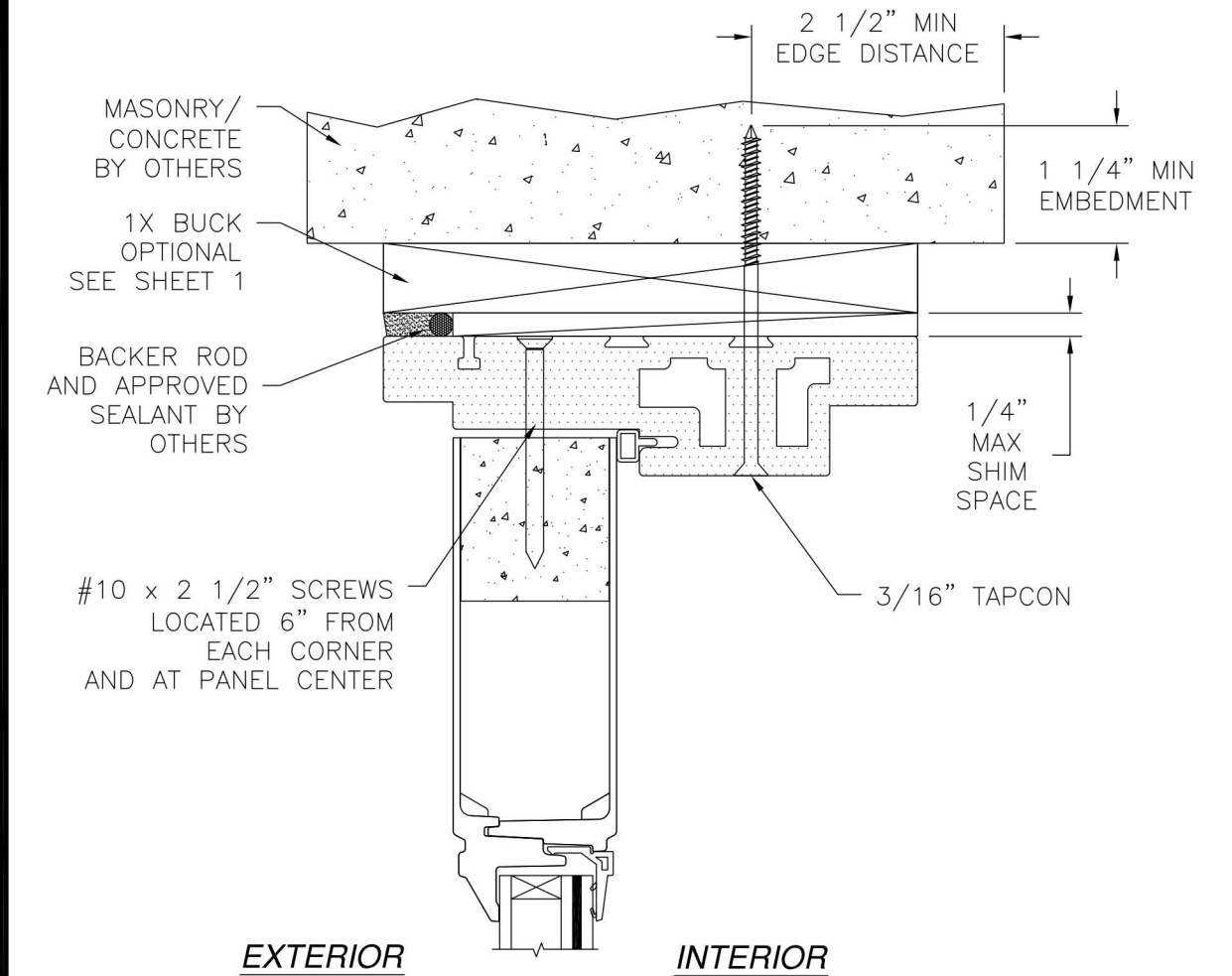
**NAN YA PLASTICS CORP. USA**  
8989 NORTH LOOP EAST  
HOUSTON, TX 77029

OUT-SWING ENTRANCE DOOR (SLPS)  
W/ & W/O SIDELITES FIBERGLASS CLAD  
INSTALLATION DETAILS

DRAWN: V.L.	DWG NO. 08-01888	REV B
SCALE NTS	DATE 01/07/13	SHEET 6 OF 9



REVISIONS			
REV	DESCRIPTION	DATE	APPROVED
A	ADDED EDGE DISTANCES	11/05/14	R.L
B	REVISED SIDELITE INSTALLATION DETAILS	05/14/15	R.L



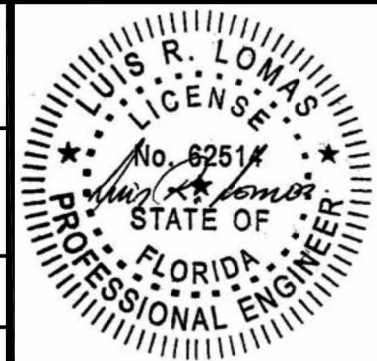
- NOTES:**
1. INTERIOR AND EXTERIOR FINISHES, BY OTHERS, NOT SHOWN FOR CLARITY.
  2. PERIMETER AND JOINT SEALANT BY OTHERS TO BE DESIGNED IN ACCORDANCE WITH ASTM E2112

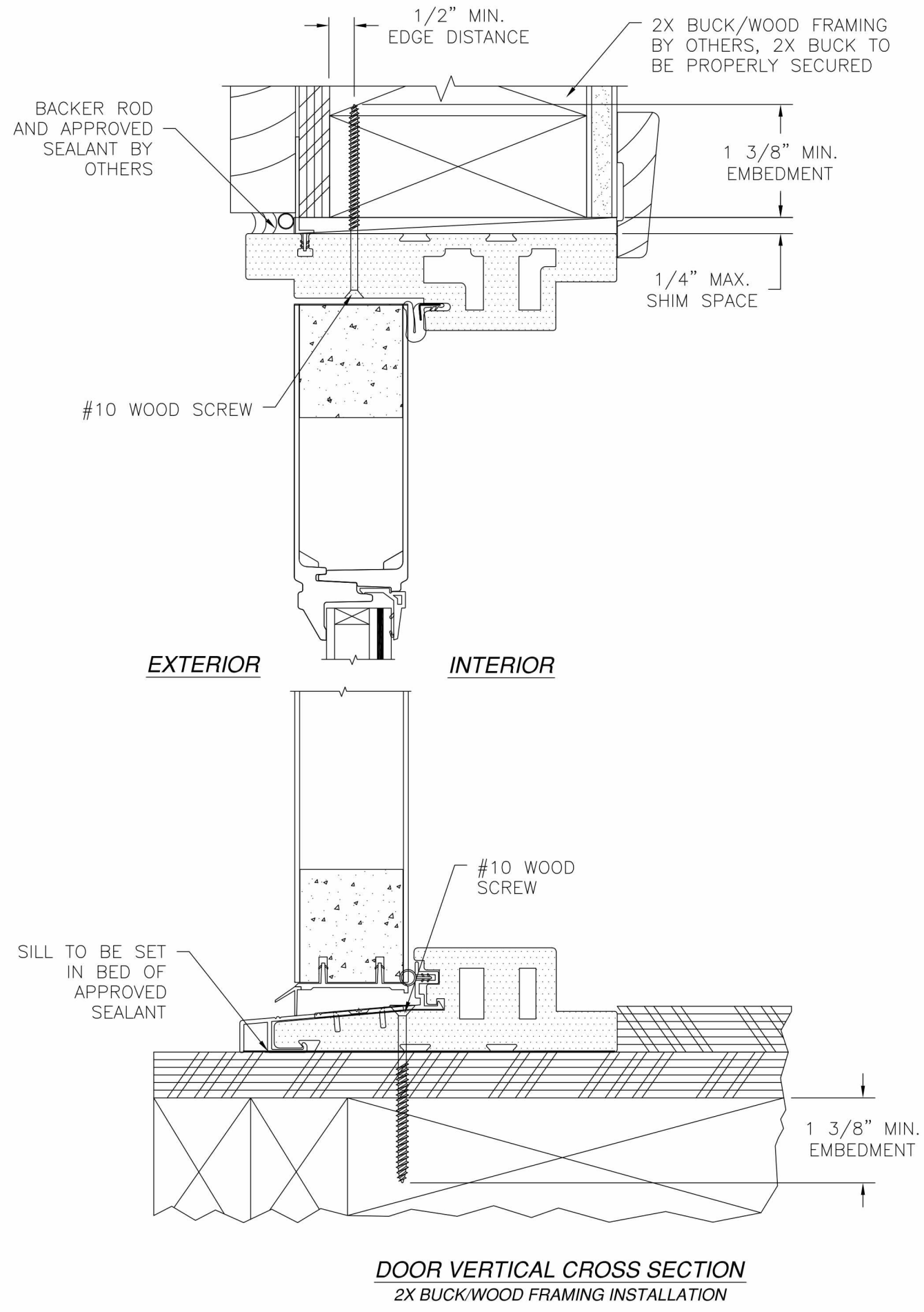
SIGNED: 05/14/2015

**NAN YA PLASTICS CORP. USA**  
 8989 NORTH LOOP EAST  
 HOUSTON, TX 77029

OUT-SWING ENTRANCE DOOR (SLPS)  
 W/ & W/O SIDELITES FIBERGLASS CLAD  
 INSTALLATION DETAILS

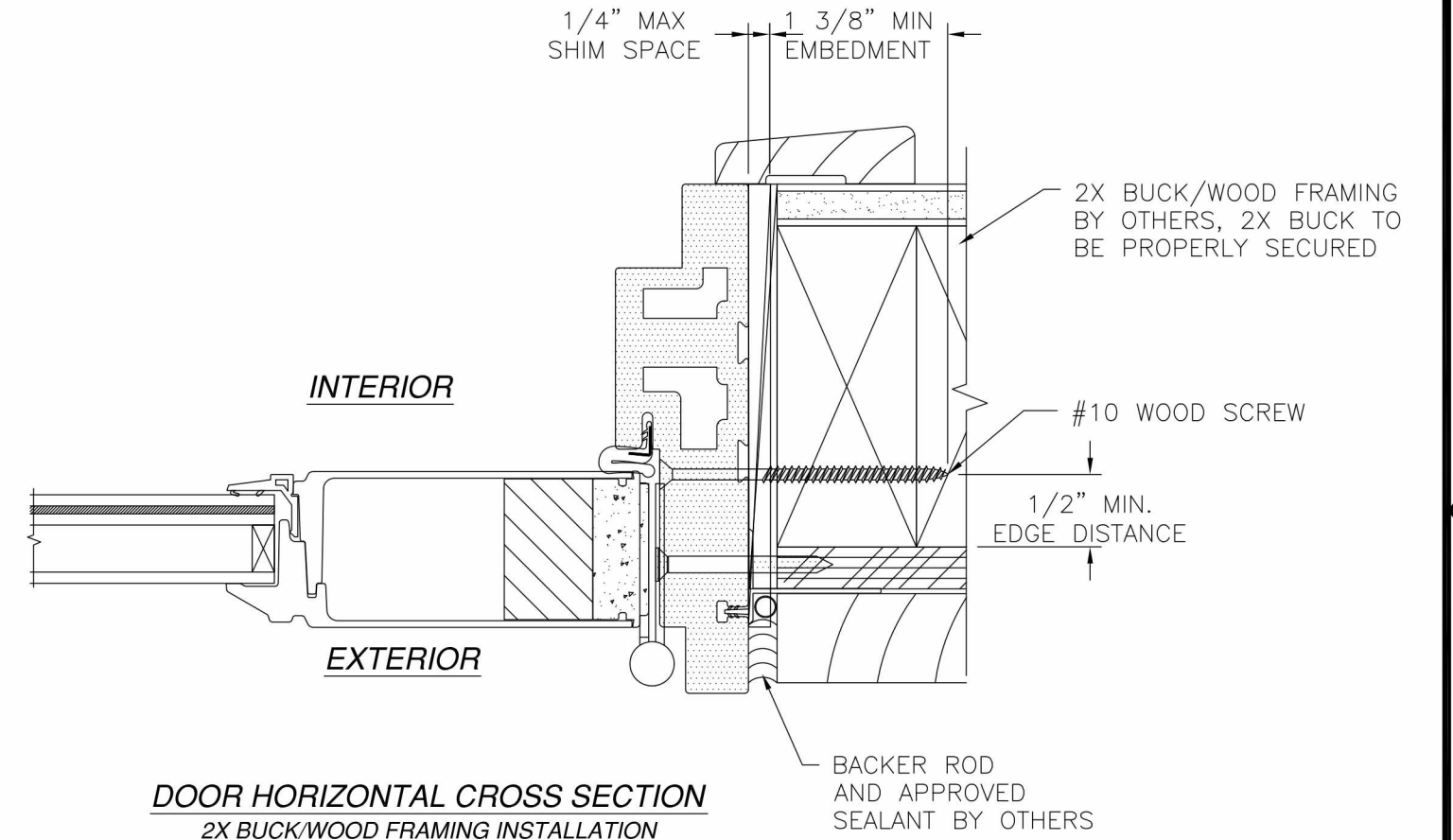
DRAWN: V.L.	DWG NO. 08-01888	REV B
SCALE NTS	DATE 01/07/13	SHEET 7 OF 9





**DOOR VERTICAL CROSS SECTION**  
2X BUCK/WOOD FRAMING INSTALLATION

REVISIONS			
REV	DESCRIPTION	DATE	APPROVED
A	ADDED EDGE DISTANCES	11/05/14	R.L
B	REVISED SIDELITE INSTALLATION DETAILS	05/14/15	R.L



**DOOR HORIZONTAL CROSS SECTION**  
2X BUCK/WOOD FRAMING INSTALLATION

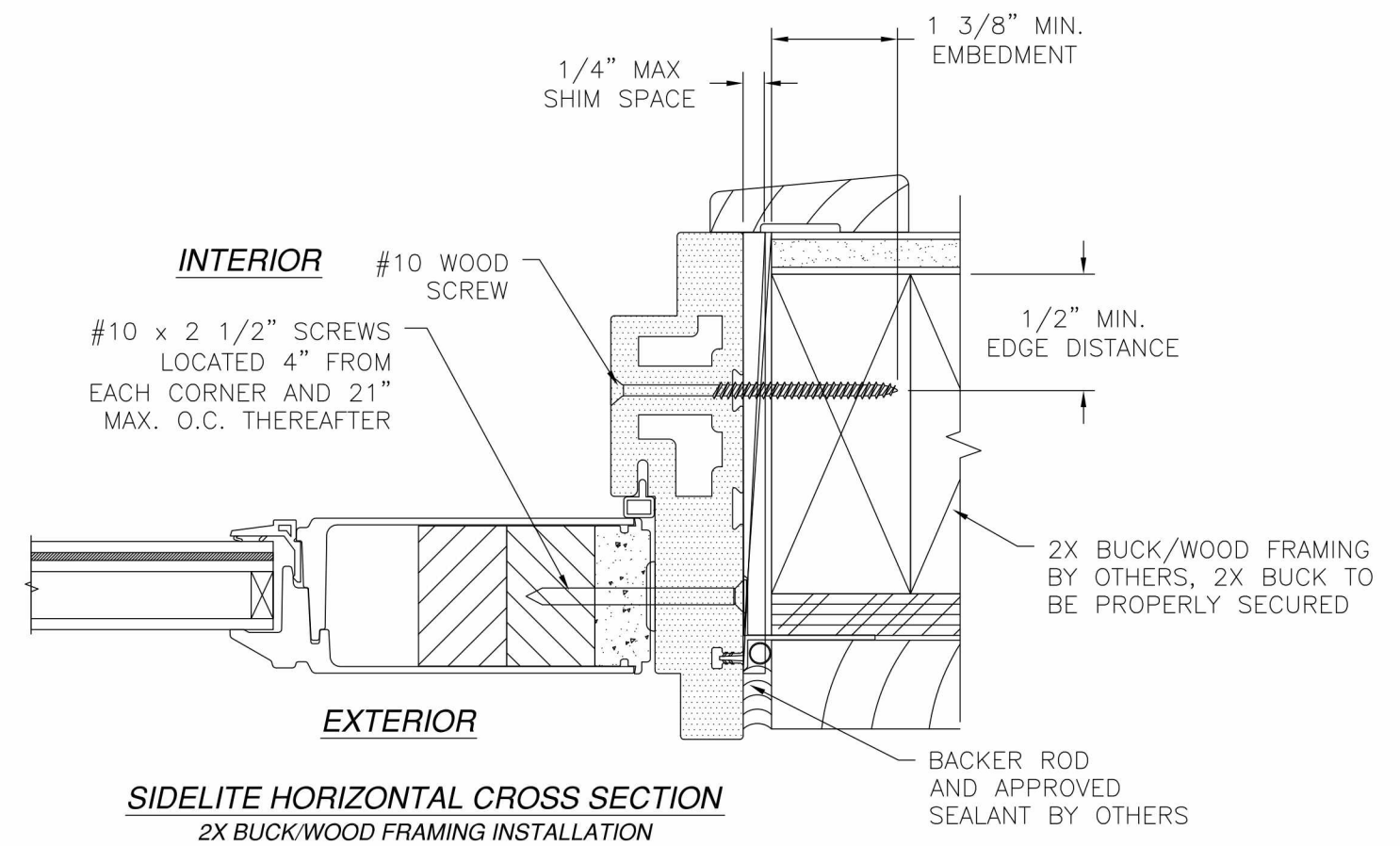
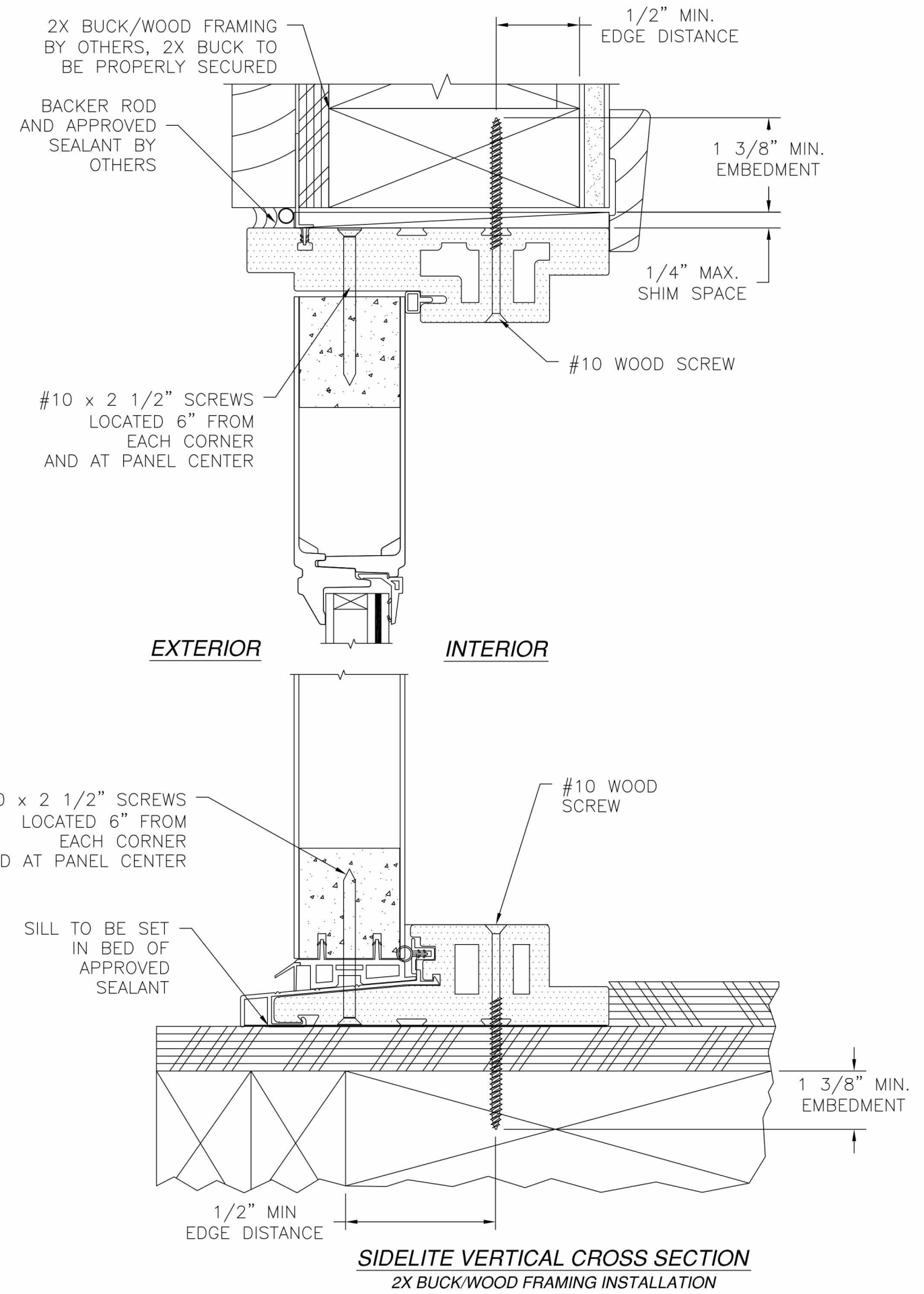
- NOTES:**
1. INTERIOR AND EXTERIOR FINISHES, BY OTHERS, NOT SHOWN FOR CLARITY.
  2. PERIMETER AND JOINT SEALANT BY OTHERS TO BE DESIGNED IN ACCORDANCE WITH ASTM E2112

SIGNED: 05/14/2015

<p>NAN YA PLASTICS CORP. USA 8989 NORTH LOOP EAST HOUSTON, TX 77029</p>		
<p>OUT-SWING ENTRANCE DOOR (SLPS) W/ &amp; W/O SIDELITES FIBERGLASS CLAD INSTALLATION DETAILS</p>		
DRAWN: V.L.	DWG NO. 08-01888	REV B
SCALE NTS	DATE 01/07/13	SHEET 8 OF 9



REVISIONS			
REV	DESCRIPTION	DATE	APPROVED
A	ADDED EDGE DISTANCES	11/05/14	R.L
B	REVISED SIDELITE INSTALLATION DETAILS	05/14/15	R.L



NOTES:  
 1. INTERIOR AND EXTERIOR FINISHES, BY OTHERS, NOT SHOWN FOR CLARITY.  
 2. PERIMETER AND JOINT SEALANT BY OTHERS TO BE DESIGNED IN ACCORDANCE WITH ASTM E2112

SIGNED: 05/14/2015

NAN YA PLASTICS CORP. USA  
 8989 NORTH LOOP EAST  
 HOUSTON, TX 77029

OUT-SWING ENTRANCE DOOR (SLPS)  
 W/ & W/O SIDELITES FIBERGLASS CLAD  
 INSTALLATION DETAILS

DRAWN: V.L.	DWG NO. 08-01888	REV B
SCALE NTS	DATE 01/07/13	SHEET 9 OF 9

