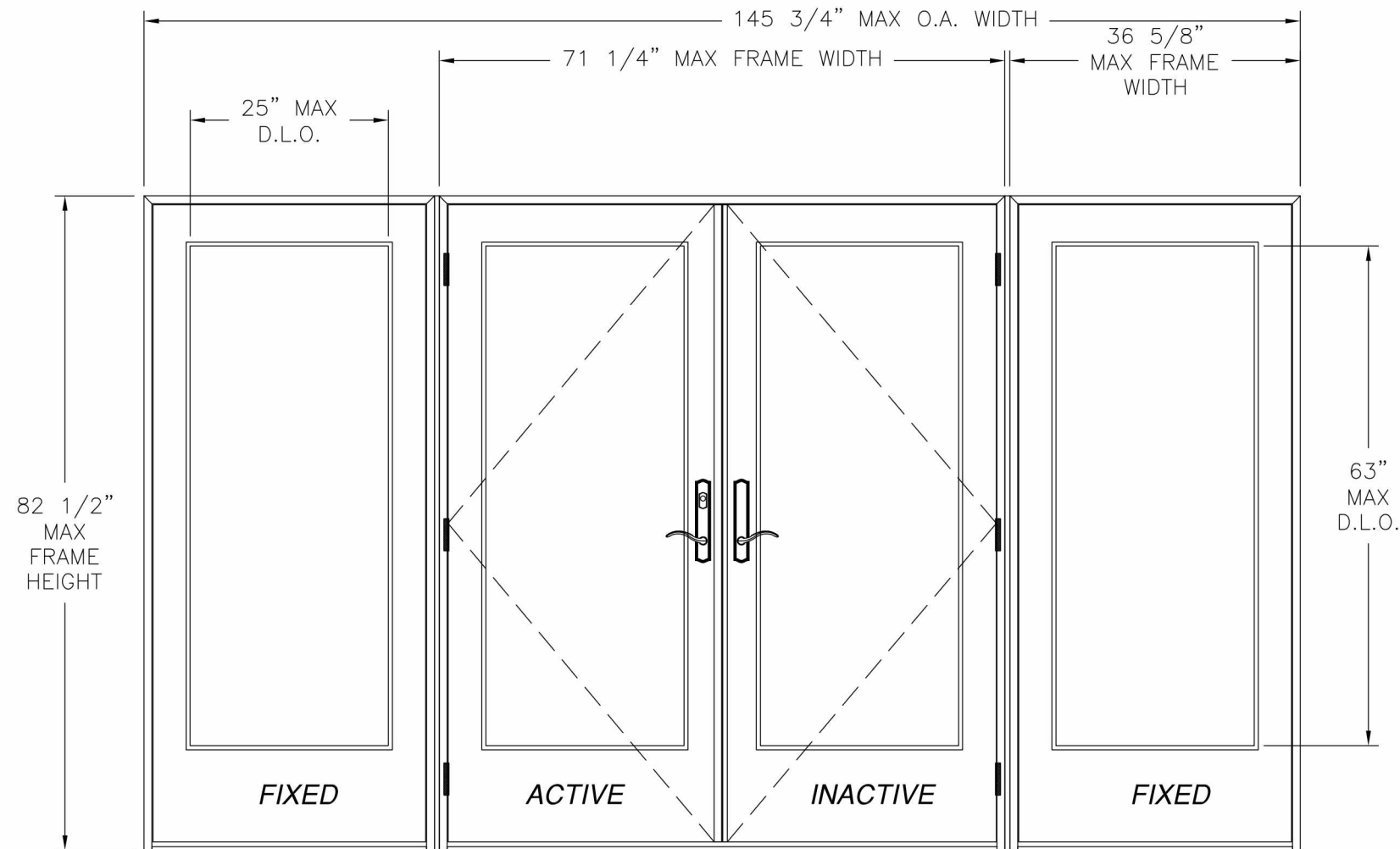


REVISIONS			
REV	DESCRIPTION	DATE	APPROVED
A	ADDED EDGE DISTANCES	11/05/14	R.L
B	REVISED SIDELITE INSTALLATION DETAILS	05/14/15	R.L



**OUT-SWING ENTRANCE DOUBLE DOOR (SLPS)
W/ SIDELITES FIBERGLASS CLAD
EXTERIOR VIEW**

DESIGN PRESSURE RATING	IMPACT RATING
±70PSF	NONE

NOTES:

- 1) THE PRODUCT SHOWN HEREIN IS DESIGNED AND MANUFACTURED TO COMPLY WITH REQUIREMENTS OF FLORIDA BUILDING CODE.
- 2) WOOD FRAMING AND MASONRY OPENING TO BE DESIGNED AND ANCHORED TO PROPERLY TRANSFER ALL LOADS TO STRUCTURE. WOOD FRAMING OPENING IS THE RESPONSIBILITY OF THE ARCHITECT OR ENGINEER OF RECORD.
- 3) 1X BUCK OVER MASONRY/CONCRETE IS OPTIONAL. WHERE 1X BUCK IS NOT USED DISSIMILAR MATERIALS MUST BE SEPARATED WITH APPROVED COATING OR MEMBRANE. SELECTION OF COATING OR MEMBRANE IS THE RESPONSIBILITY OF THE ARCHITECT OR ENGINEER OF RECORD.
- 4) APPROVED IMPACT PROTECTIVE SYSTEM IS REQUIRED FOR THIS PRODUCT IN WIND BORNE DEBRIS REGIONS.
- 5) UNITS MUST BE GLAZED PER ASTM E1300-04. SEE SHEET 5 FOR GLAZING DETAIL.
- 6) ALLOWABLE STRESS INCREASE OF 1/3 WAS NOT USED IN THE DESIGN OF THE PRODUCT SHOWN HEREIN. WIND LOAD DURATION FACTOR Cd=1.6 WAS USED FOR WOOD ANCHOR CALCULATIONS.
- 7) FRAME JAMB AND HEAD MATERIAL: CO-EXTRUDED PVC FOAM.
- 8) FRAME SILL MATERIAL: CO-EXTRUDED PVC FOAM WITH ALUMINUM CLADDING.
- 9) DOOR PANEL SIDELITE MATERIAL: FIBERGLASS SKIN WITH PVC FOAM TOP AND BOTTOM RAILS, AND PVC FOAM VERTICAL STILES WITH PINE REINFORCEMENTS AND POLYURETHANE FOAM CORE.
- 10) HINGE LOCATION: 9", 40 7/8" AND 72 1/2" FROM BOTTOM.
- 11) MAX PANEL SIZE: 34 1/2" X 80 5/16"

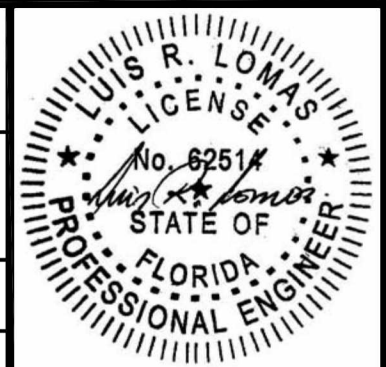
SIGNED: 05/14/2015

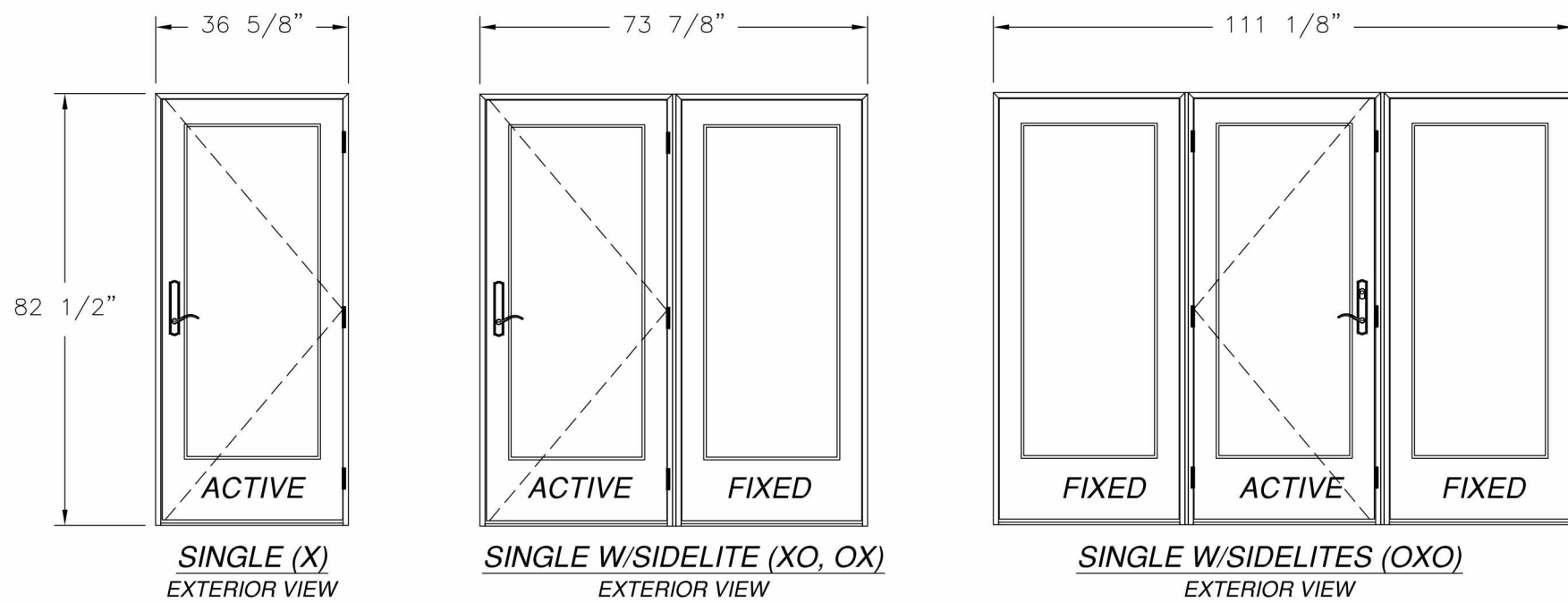
TABLE OF CONTENTS	
SHEET NO.	DESCRIPTION
1, 2	ELEVATION AND NOTES
3, 4	ANCHORING LAYOUTS
5 - 9	INSTALLATION DETAILS

NAN YA PLASTICS CORP. USA
8989 NORTH LOOP EAST
HOUSTON, TX 77029

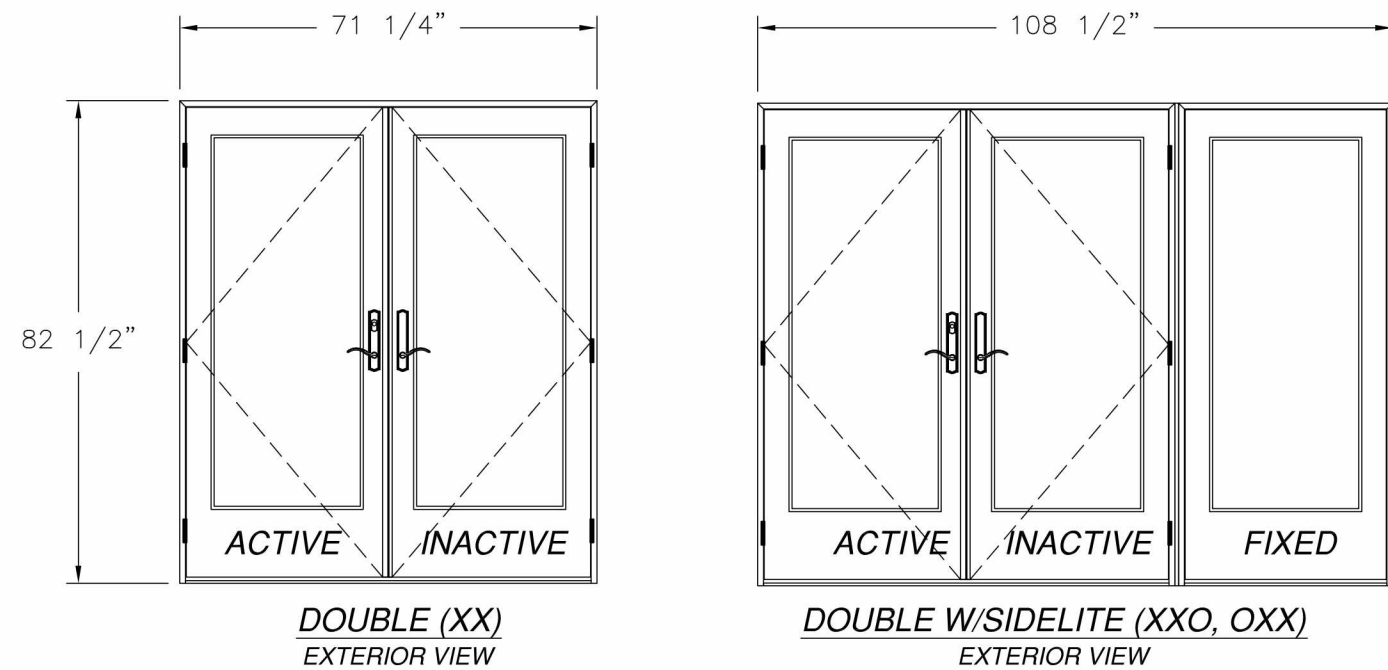
OUTSEING ENTRANCE DOOR (SLPS) NON-IMPACT
W/ & W/O SIDELITES FIBERGLASS CLAD
ELEVATION AND NOTES

DRAWN: V.L.	DWG NO. 08-01891	REV B
SCALE NTS	DATE 11/06/2014	SHEET 1 OF 9





REVISIONS			
REV	DESCRIPTION	DATE	APPROVED
A	ADDED EDGE DISTANCES	11/05/14	R.L
B	REVISED SIDELITE INSTALLATION DETAILS	05/14/15	R.L

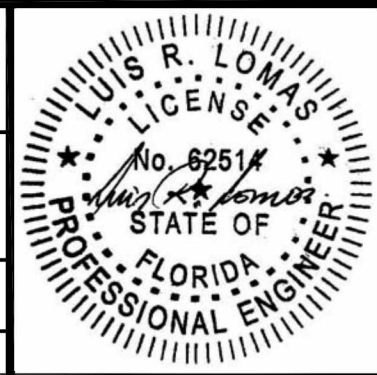


SIGNED: 05/14/2015

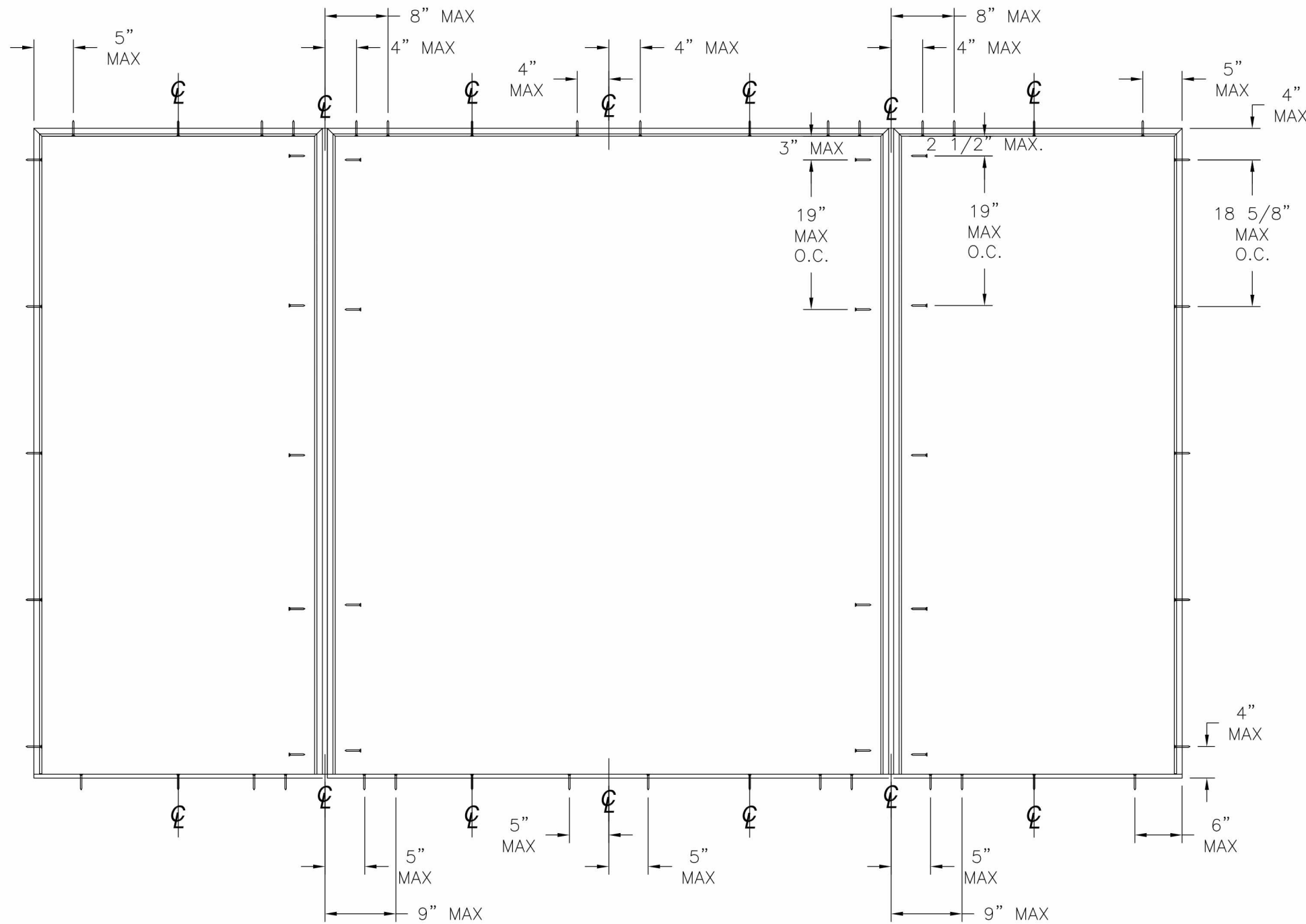
NAN YA PLASTICS CORP. USA
 8989 NORTH LOOP EAST
 HOUSTON, TX 77029

OUTSEING ENTRANCE DOOR (SLPS) NON-IMPACT
 W/ & W/O SIDELITES FIBERGLASS CLAD
 APPROVED ELEVATIONS

DRAWN: V.L.	DWG NO. 08-01891	REV B
SCALE NTS	DATE 11/06/2014	SHEET 2 OF 9



REVISIONS			
REV	DESCRIPTION	DATE	APPROVED
A	ADDED EDGE DISTANCES	11/05/14	R.L
B	REVISED SIDELITE INSTALLATION DETAILS	05/14/15	R.L



ANCHORING LAYOUT

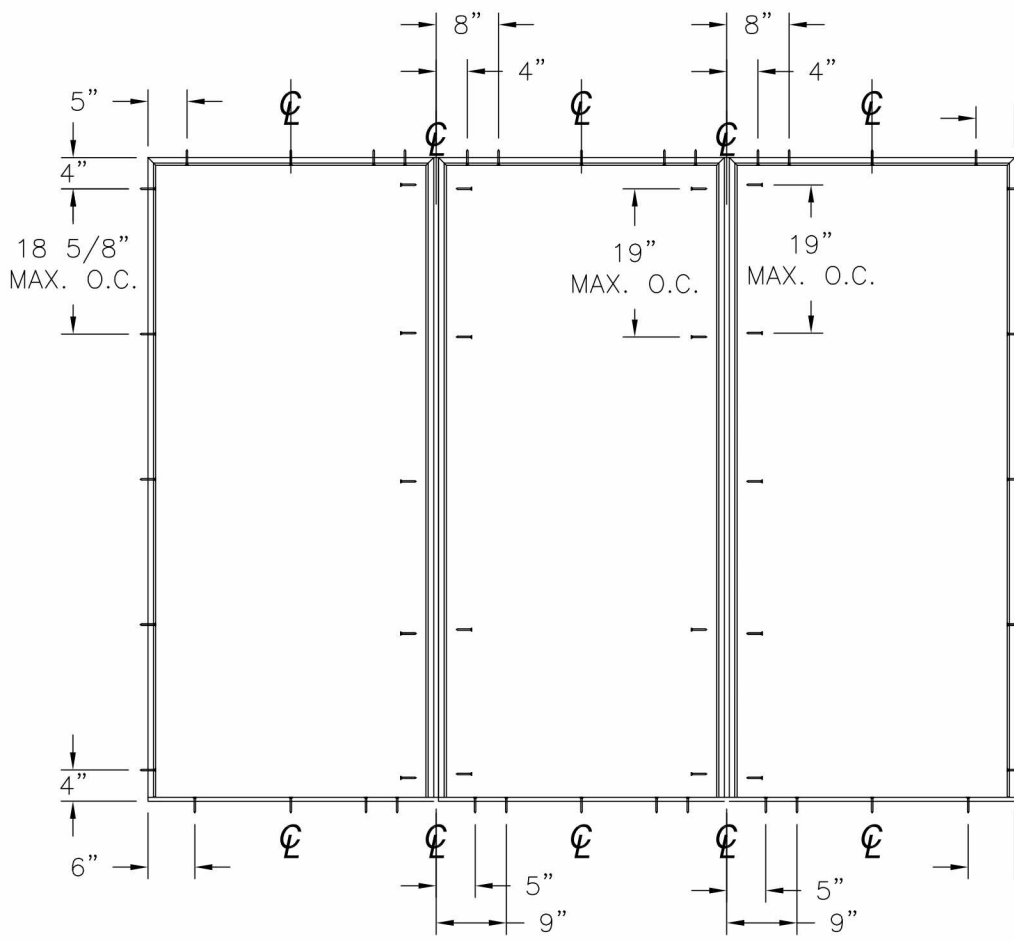
ANCHORING NOTES:

- 1) SHIM AS REQUIRED AT EACH INSTALLATION ANCHOR WITH LOAD BEARING SHIM. SHIM WHERE SPACE OF 1/16" OR GREATER OCCURS. MAXIMUM ALLOWABLE SHIM STACK TO BE 1/4".
- 2) FOR ANCHORING INTO MASONRY/CONCRETE USE 3/16" TAPCON OF SUFFICIENT LENGTH TO ACHIEVE A 1 1/4" MINIMUM EMBEDMENT INTO SUBSTRATE. LOCATE ANCHORS AS SHOWN IN ANCHORING LAYOUT AND INSTALLATION DETAILS.
- 3) FOR ANCHORING INTO 2X BUCK OR WOOD FRAMING USE #10 WOOD SCREW OF SUFFICIENT LENGTH TO ACHIEVE A 1 3/8" MINIMUM EMBEDMENT INTO SUBSTRATE. LOCATE ANCHORS AS SHOWN IN ANCHORING LAYOUT AND INSTALLATION DETAILS.
- 4) ALL FASTENERS TO BE CORROSION RESISTANT.
- 5) INSTALLATION ANCHORS SHALL BE INSTALLED IN ACCORDANCE WITH ANCHOR MANUFACTURER'S INSTALLATION INSTRUCTIONS, AND ANCHORS SHALL NOT BE USED IN SUBSTRATES WITH STRENGTHS LESS THAN THE MINIMUM STRENGTH SPECIFIED BELOW:
 - A. WOOD – MINIMUM SPECIFIC GRAVITY OF G=0.42
 - B. CONCRETE – MINIMUM COMPRESSIVE STRENGTH OF 3,200 PSI.
 - C. MASONRY – STRENGTH CONFORMANCE TO ASTM C-90, GRADE N, TYPE 1 (OR GREATER).

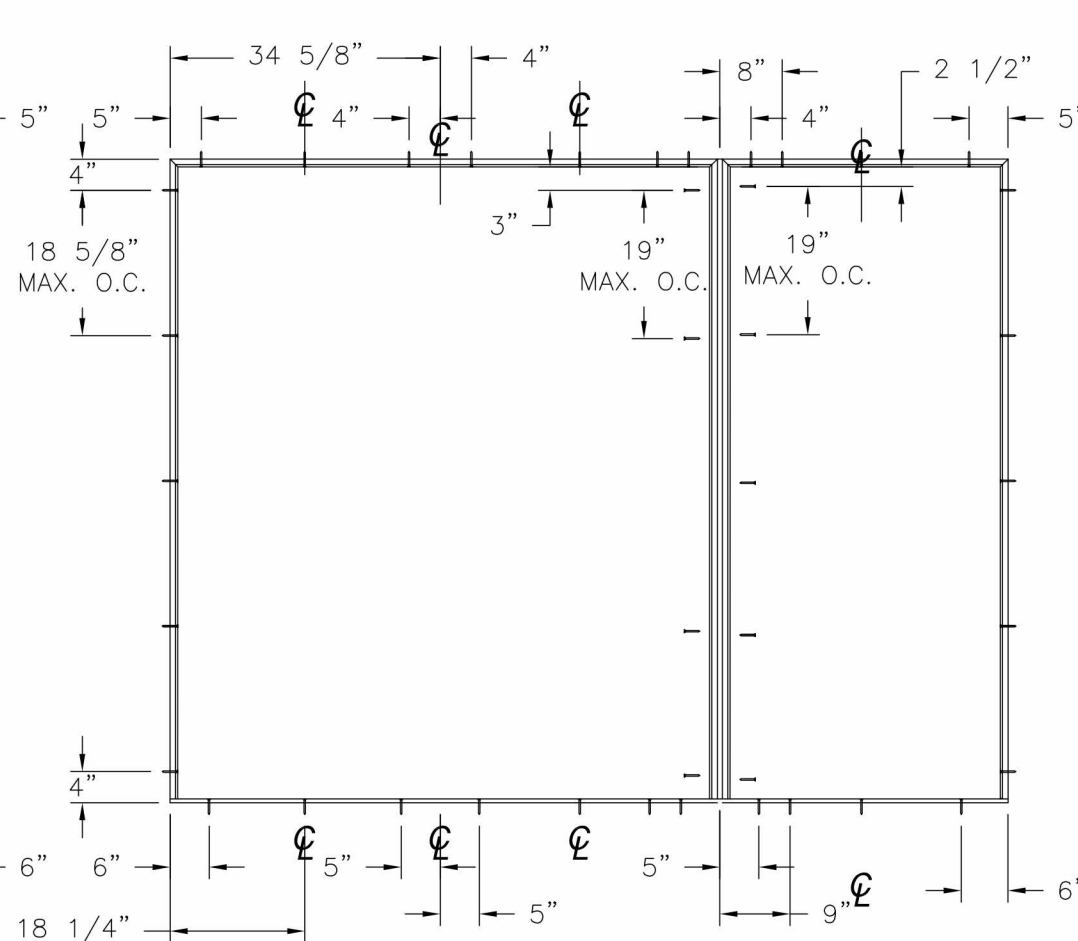
SIGNED: 05/14/2015

NAN YA PLASTICS CORP. USA 8989 NORTH LOOP EAST HOUSTON, TX 77029		
OUTSEING ENTRANCE DOOR (SLPS) NON-IMPACT W/ & W/O SIDELITES FIBERGLASS CLAD ANCHORING LAYOUT		
DRAWN: V.L.	DWG NO. 08-01891	REV B
SCALE NTS	DATE 11/06/2014	SHEET 3 OF 9

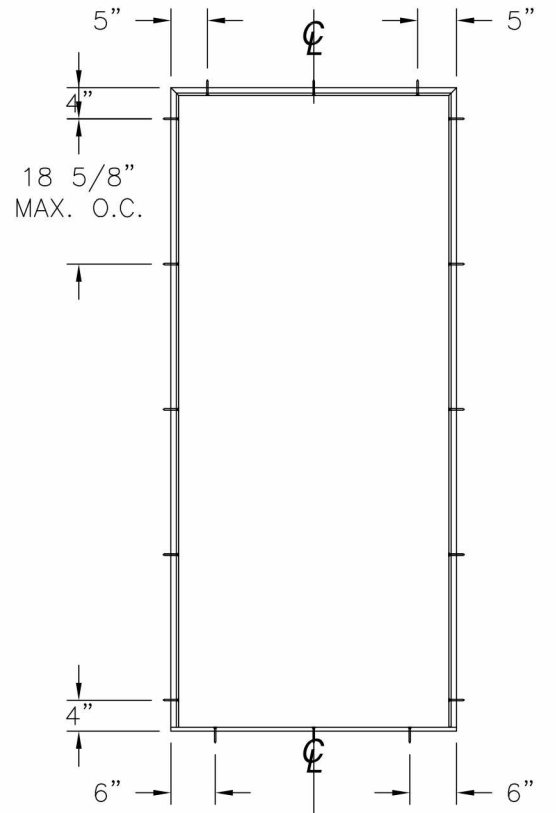




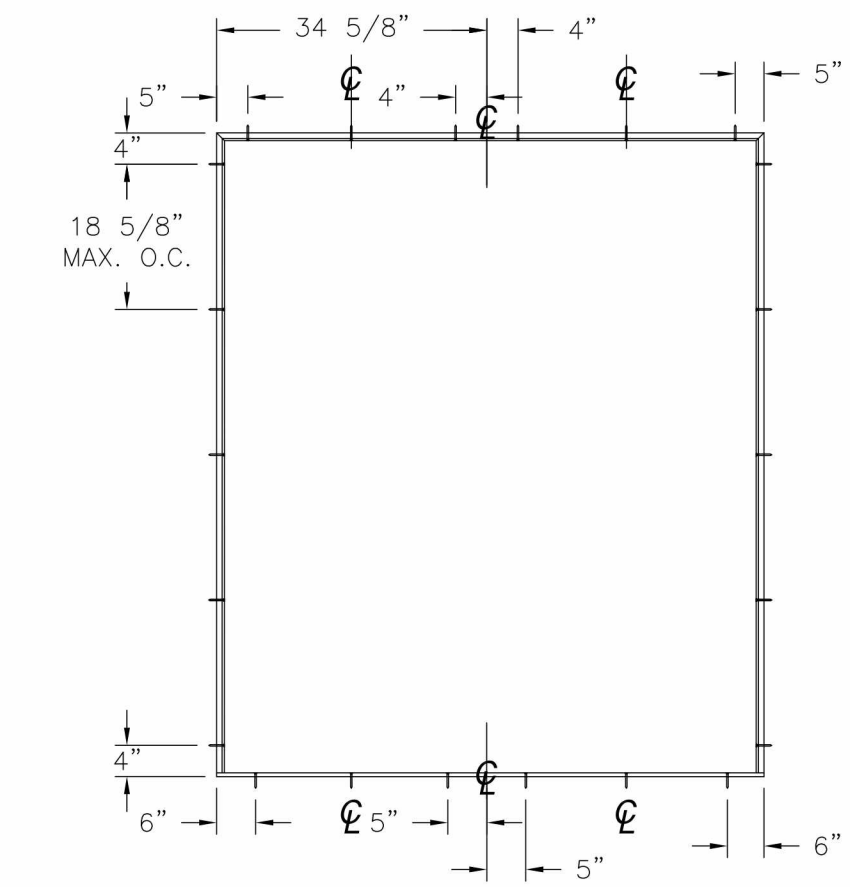
ANCHORING LAYOUT FOR OXO



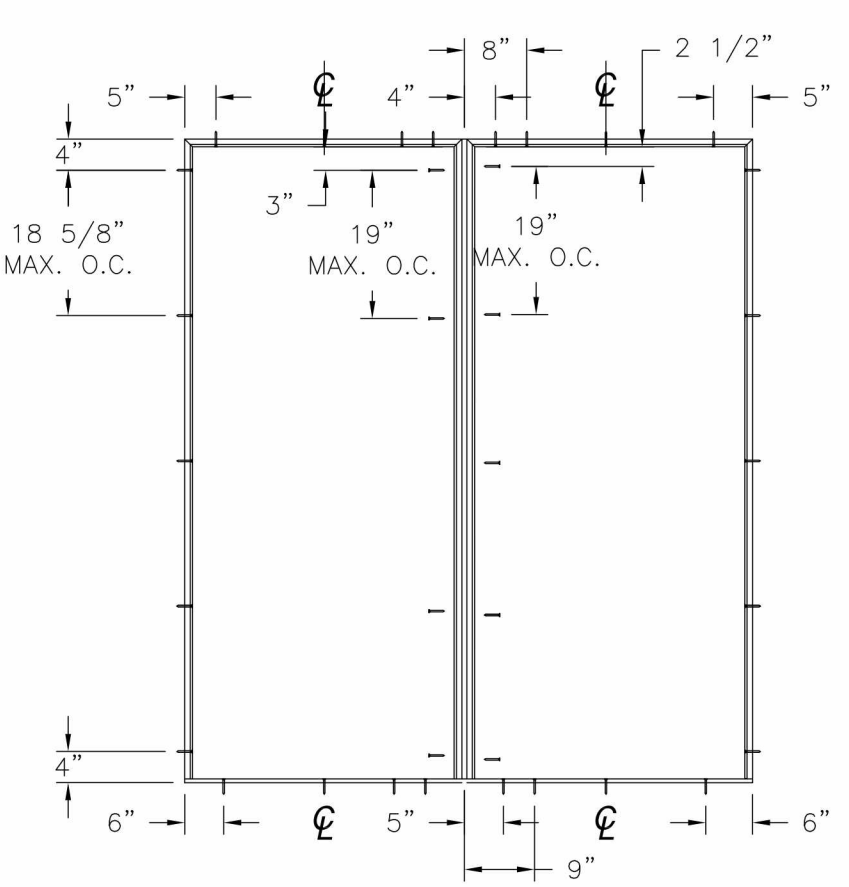
ANCHORING LAYOUT FOR XXO AND OXX



ANCHORING LAYOUT FOR X



ANCHORING LAYOUT FOR XX



ANCHORING LAYOUT FOR OX AND XO

REVISIONS			
REV	DESCRIPTION	DATE	APPROVED
A	ADDED EDGE DISTANCES	11/05/14	R.L
B	REVISED SIDELITE INSTALLATION DETAILS	05/14/15	R.L

NAN YA PLASTICS CORP. USA
 8989 NORTH LOOP EAST
 HOUSTON, TX 77029

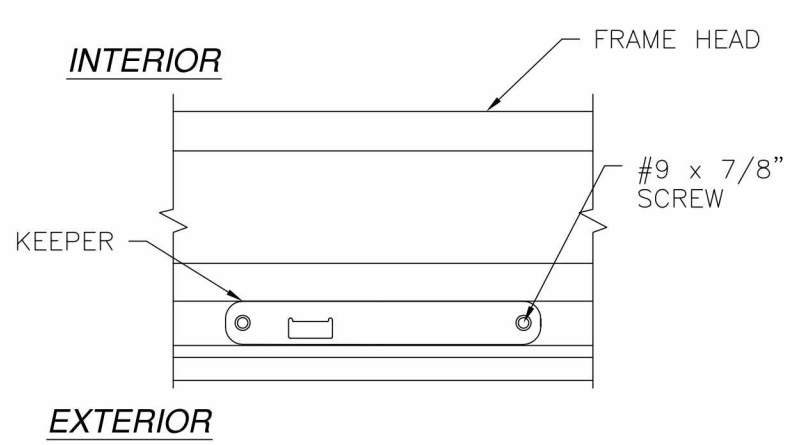
OUTSEING ENTRANCE DOOR (SLPS) NON-IMPACT
 W/ & W/O SIDELITES FIBERGLASS CLAD
 ANCHORING LAYOUTS

DRAWN: V.L.	DWG NO. 08-01891	REV B
SCALE NTS	DATE 11/06/2014	SHEET 4 OF 9

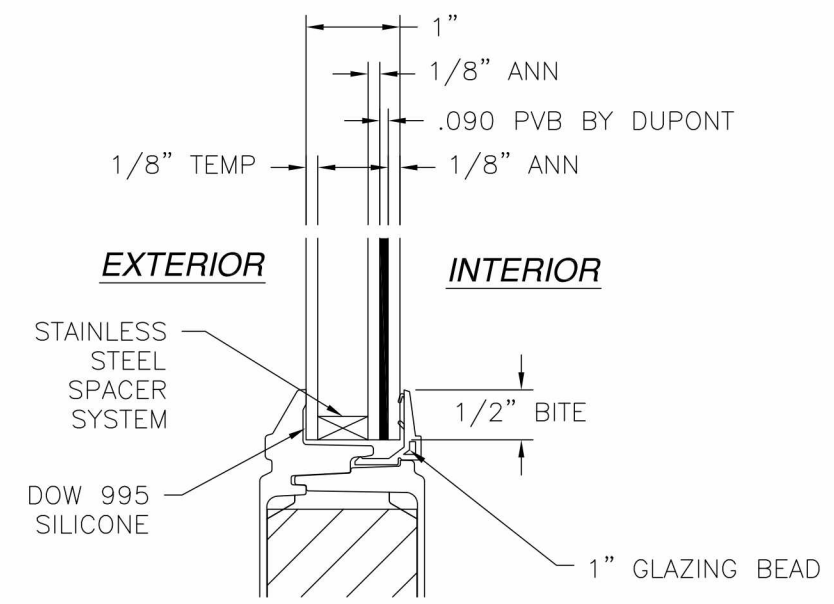
SIGNED: 05/14/2015



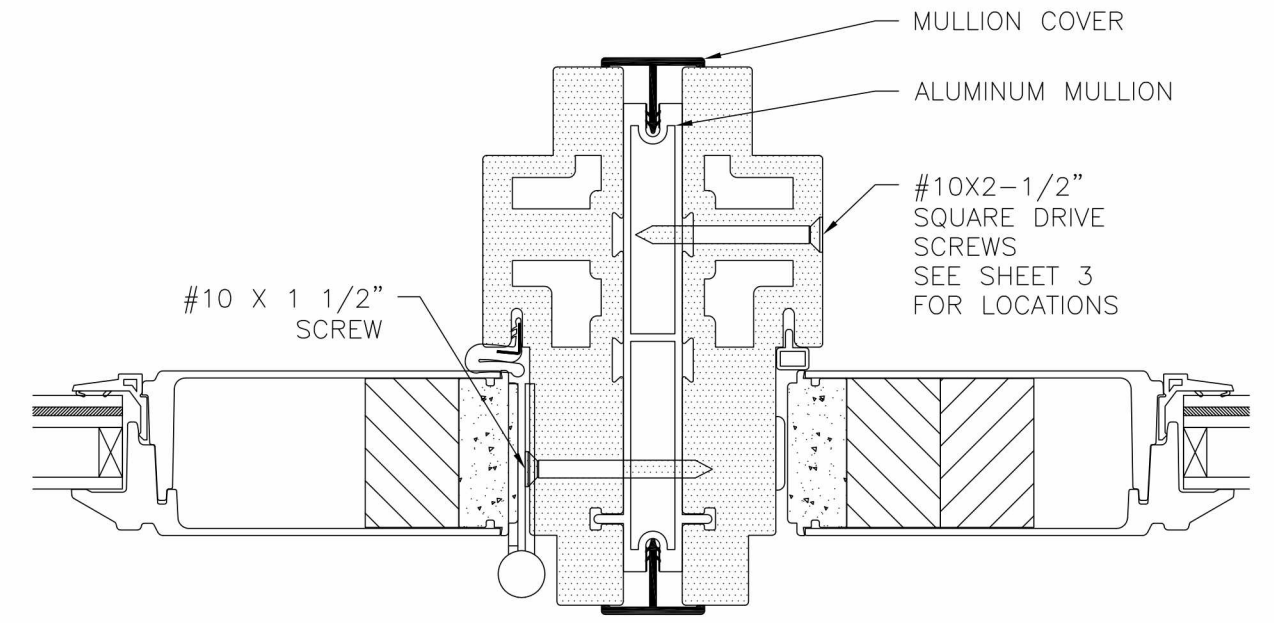
REVISIONS			
REV	DESCRIPTION	DATE	APPROVED
A	ADDED EDGE DISTANCES	11/05/14	R.L
B	REVISED SIDELITE INSTALLATION DETAILS	05/14/15	R.L



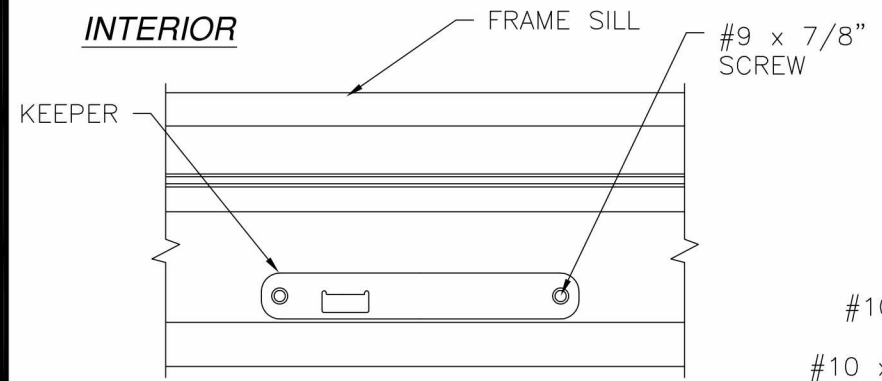
HEAD KEEPER DETAIL



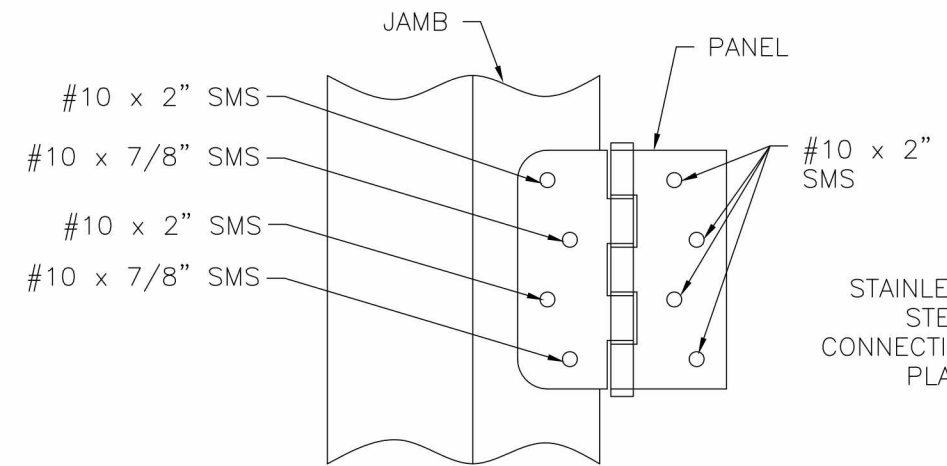
GLAZING DETAIL



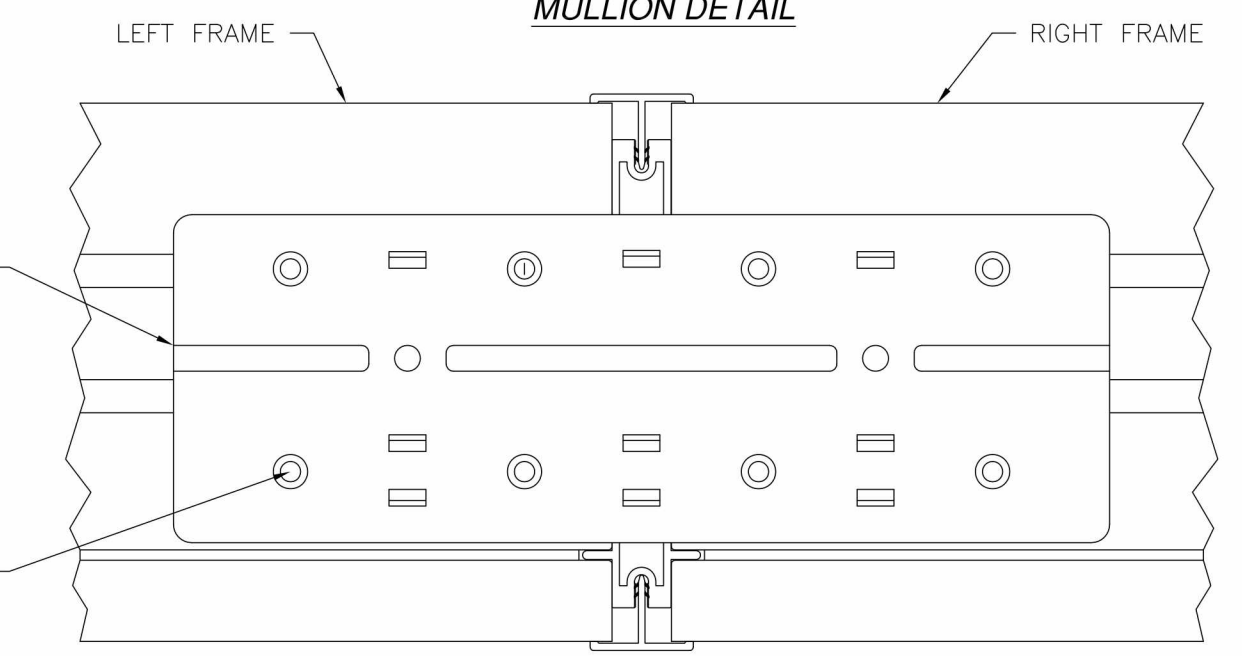
MULLION DETAIL



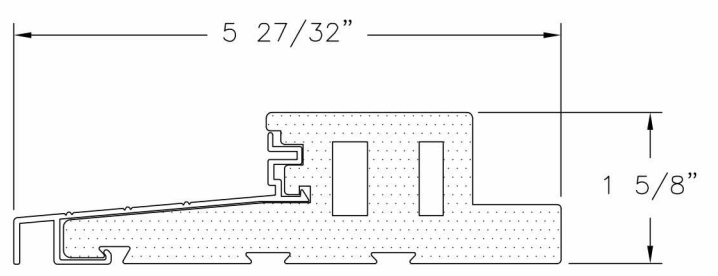
SILL KEEPER DETAIL



HINGE INSTALLATION DETAIL



FRAME CONNECTION DETAIL



OUTSWING DOOR SILL DETAIL

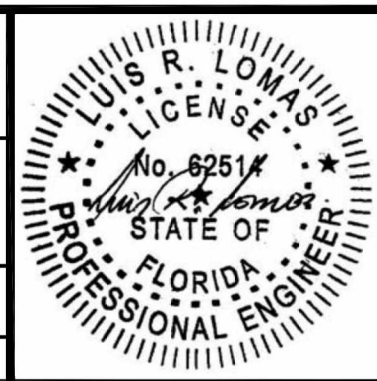
SIGNED: 05/14/2015

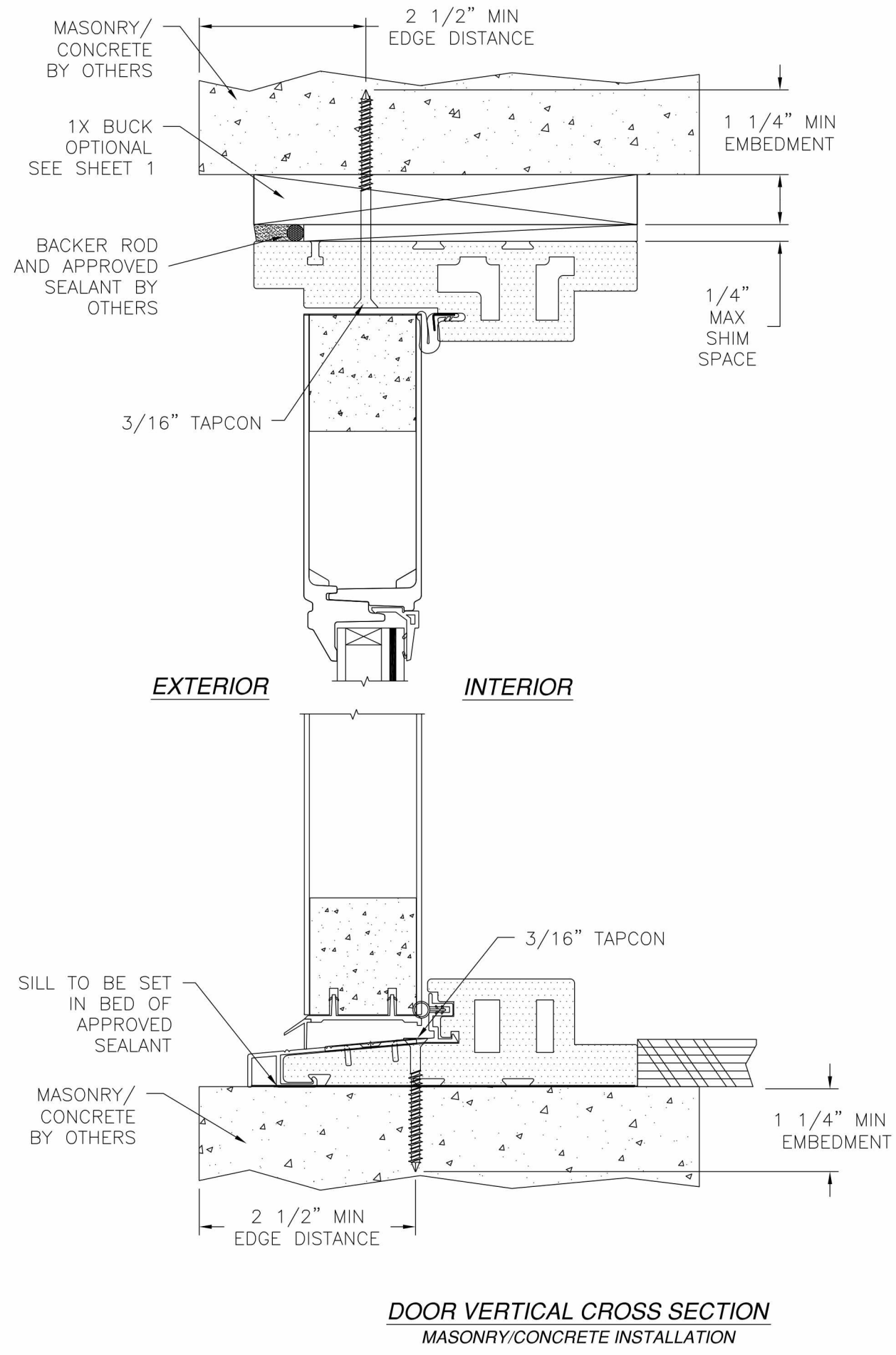
HARDWARE SCHEDULE	
A.	(3) 4" BUTT HINGE
B.	2 POINT LOCK SYSTEM
C.	RIGID PVC ASTRAGAL WITH ALUMINUM REINFORCEMENT

NAN YA PLASTICS CORP. USA
 8989 NORTH LOOP EAST
 HOUSTON, TX 77029

OUTSEING ENTRANCE DOOR (SLPS) NON-IMPACT
 W/ & W/O SIDELITES FIBERGLASS CLAD
 INSTALLATION DETAILS

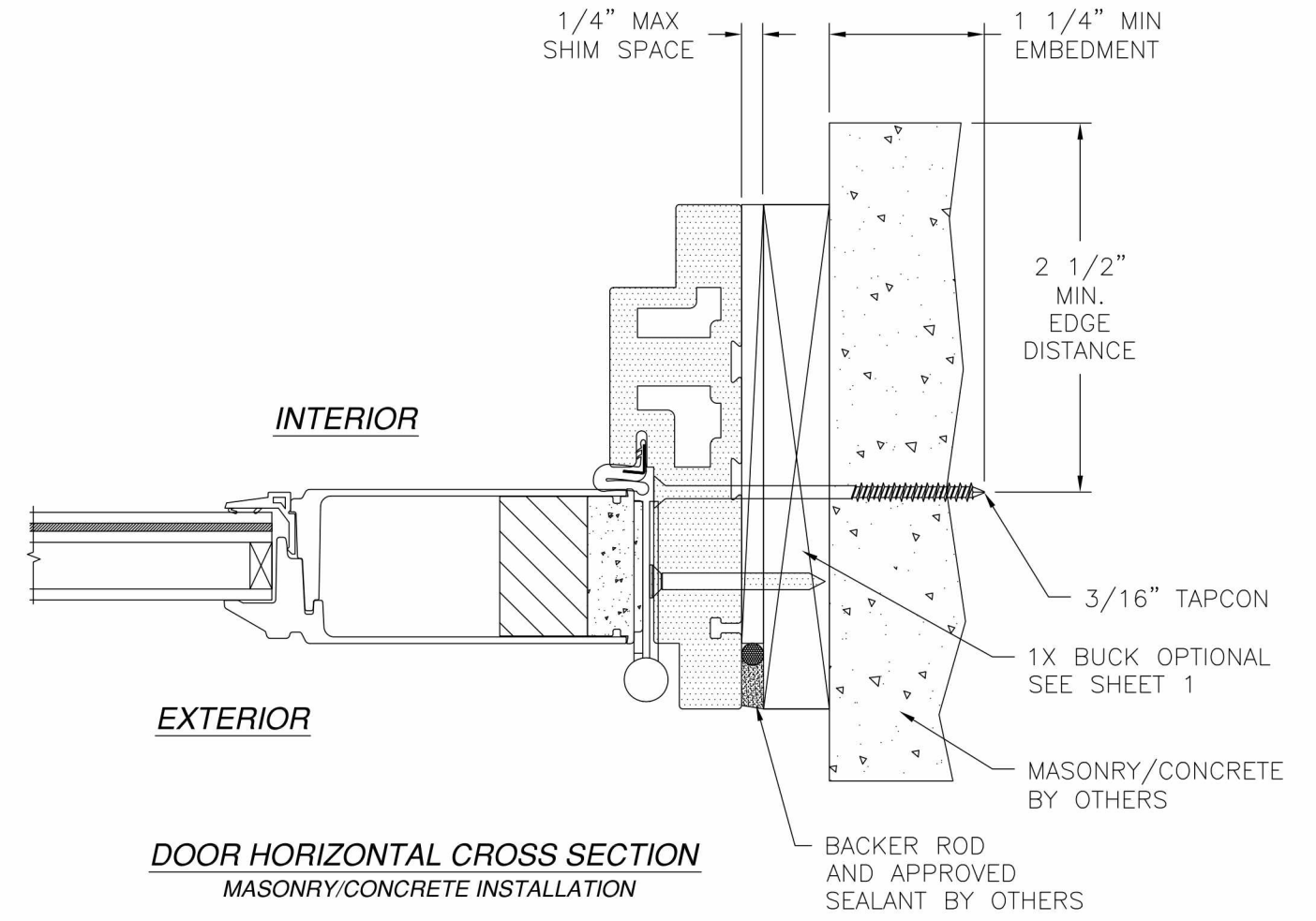
DRAWN: V.L.	DWG NO. 08-01891	REV B
SCALE NTS	DATE 11/06/2014	SHEET 5 OF 9





DOOR VERTICAL CROSS SECTION
MASONRY/CONCRETE INSTALLATION

REVISIONS			
REV	DESCRIPTION	DATE	APPROVED
A	ADDED EDGE DISTANCES	11/05/14	R.L
B	REVISED SIDELITE INSTALLATION DETAILS	05/14/15	R.L



DOOR HORIZONTAL CROSS SECTION
MASONRY/CONCRETE INSTALLATION

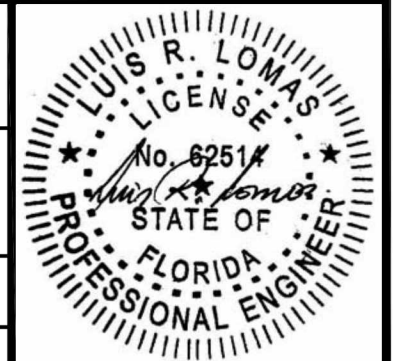
- NOTES:**
1. INTERIOR AND EXTERIOR FINISHES, BY OTHERS, NOT SHOWN FOR CLARITY.
 2. PERIMETER AND JOINT SEALANT BY OTHERS TO BE DESIGNED IN ACCORDANCE WITH ASTM E2112

SIGNED: 05/14/2015

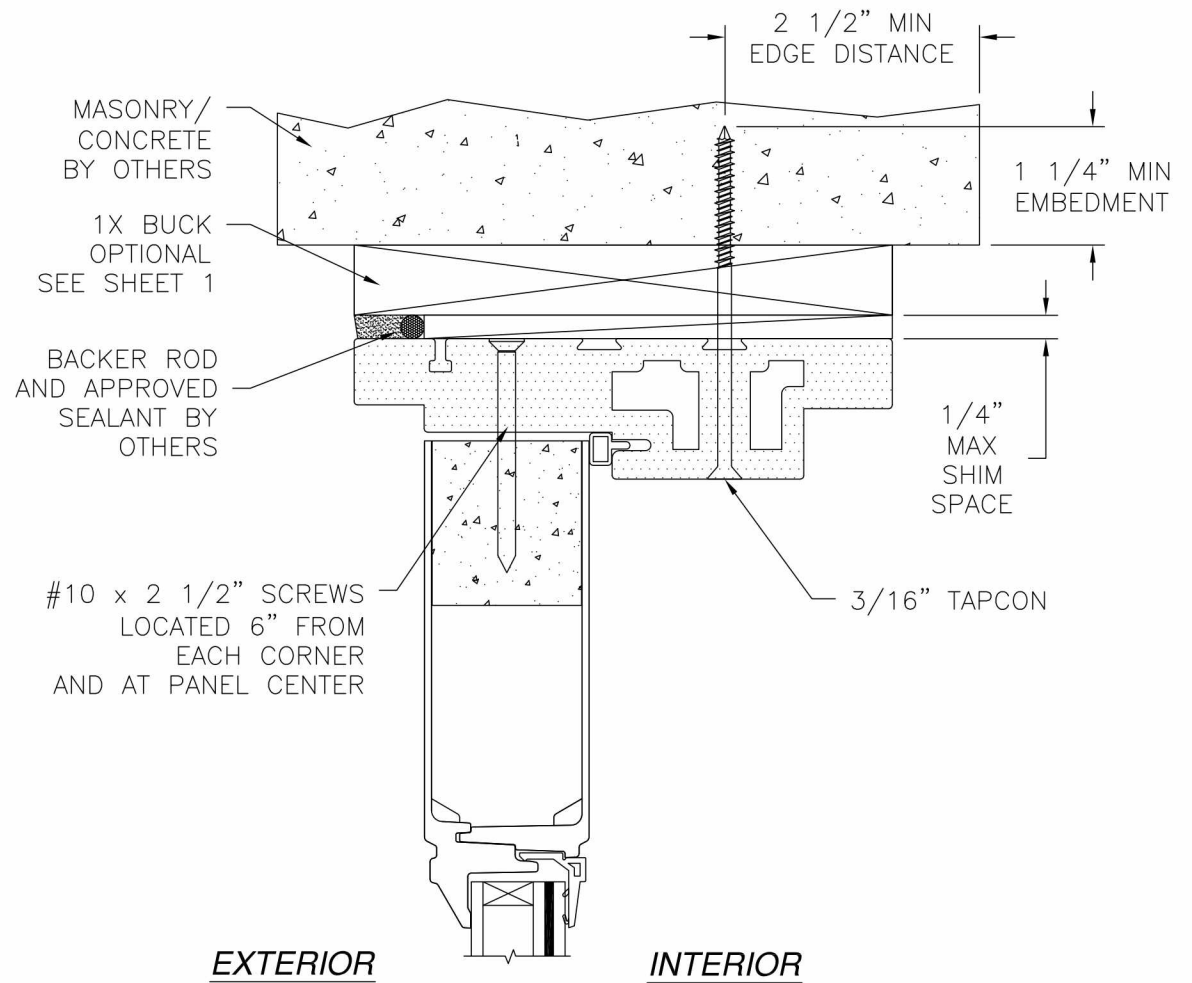
NAN YA PLASTICS CORP. USA
8989 NORTH LOOP EAST
HOUSTON, TX 77029

OUTSEING ENTRANCE DOOR (SLPS) NON-IMPACT
W/ & W/O SIDELITES FIBERGLASS CLAD
INSTALLATION DETAILS

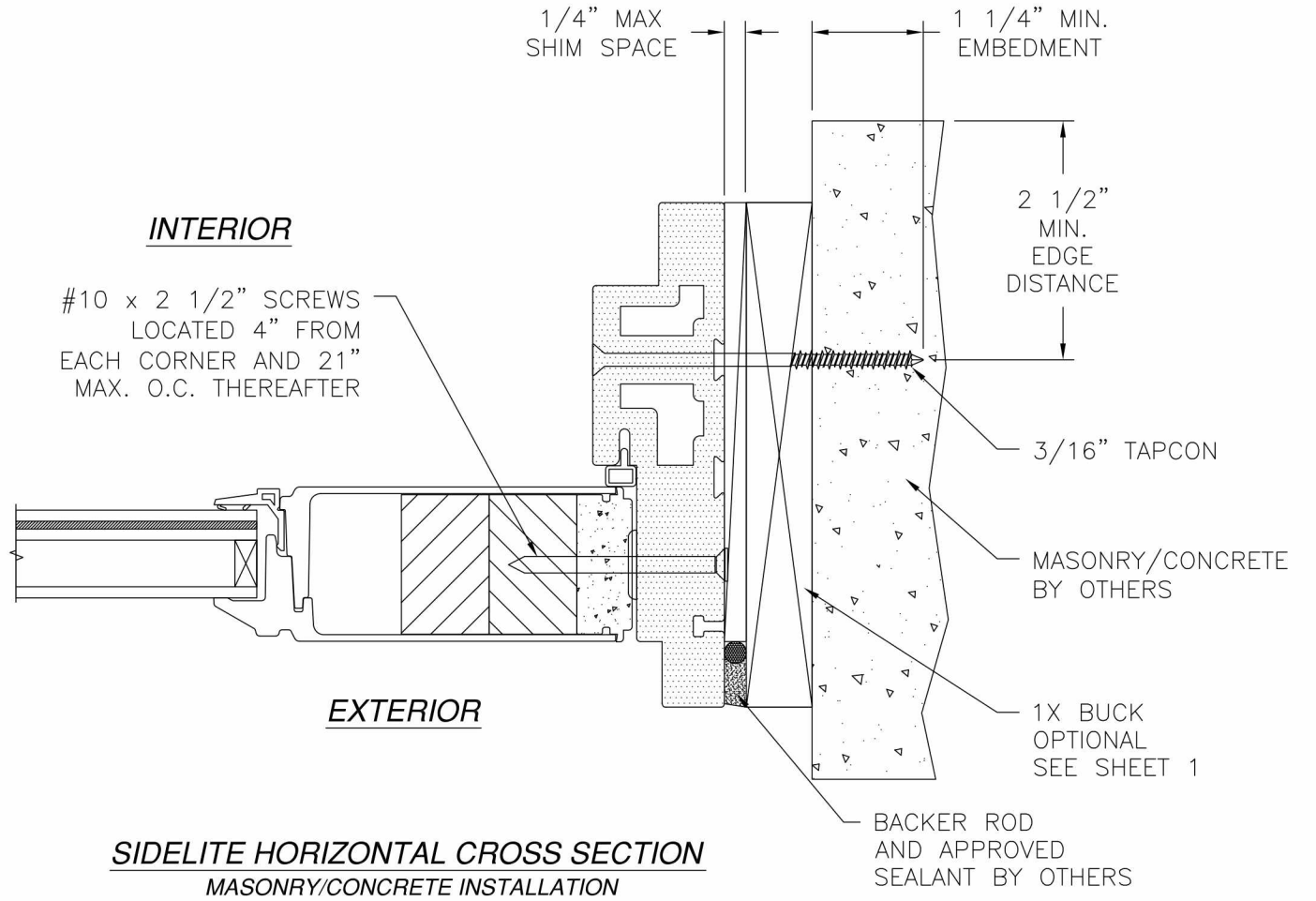
DRAWN: V.L.	DWG NO. 08-01891	REV B
SCALE NTS	DATE 11/06/2014	SHEET 6 OF 9



REVISIONS			
REV	DESCRIPTION	DATE	APPROVED
A	ADDED EDGE DISTANCES	11/05/14	R.L.
B	REVISED SIDELITE INSTALLATION DETAILS	05/14/15	R.L.

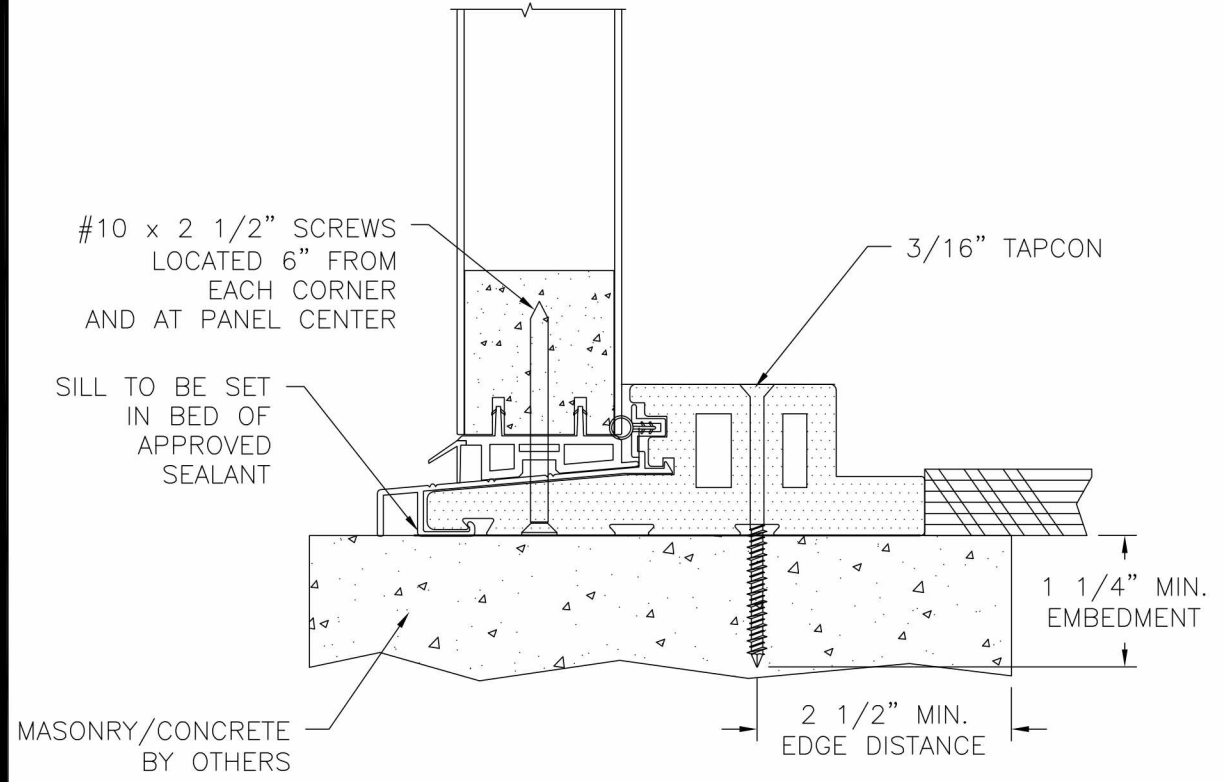


SIDELITE VERTICAL CROSS SECTION
MASONRY/CONCRETE INSTALLATION



SIDELITE HORIZONTAL CROSS SECTION
MASONRY/CONCRETE INSTALLATION

- NOTES:**
1. INTERIOR AND EXTERIOR FINISHES, BY OTHERS, NOT SHOWN FOR CLARITY.
 2. PERIMETER AND JOINT SEALANT BY OTHERS TO BE DESIGNED IN ACCORDANCE WITH ASTM E2112

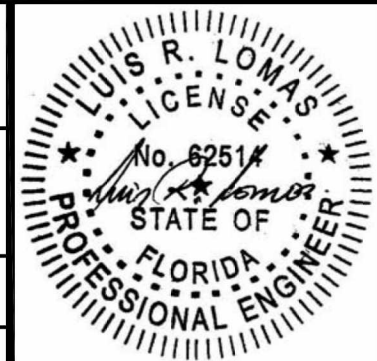


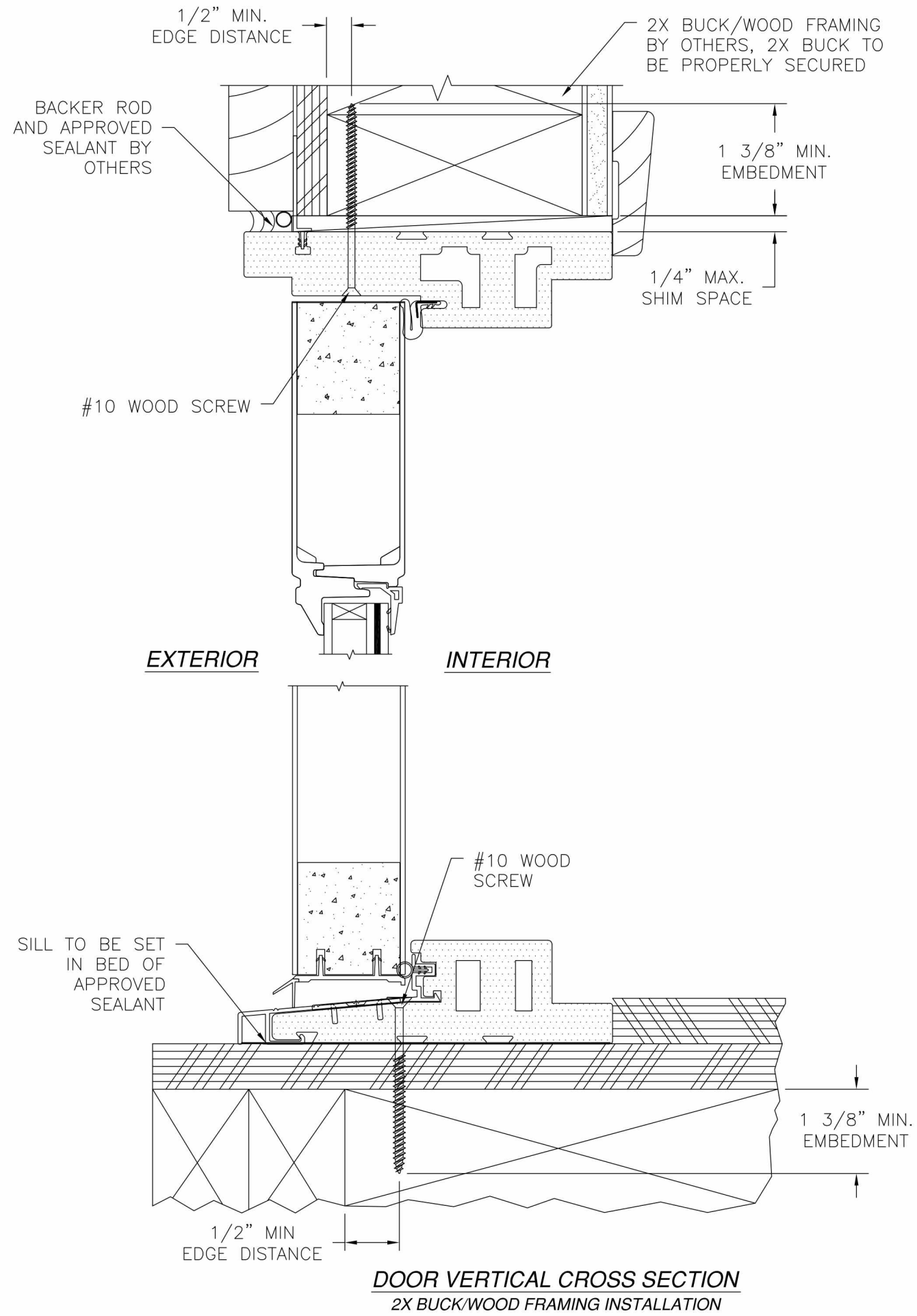
SIGNED: 05/14/2015

NAN YA PLASTICS CORP. USA
8989 NORTH LOOP EAST
HOUSTON, TX 77029

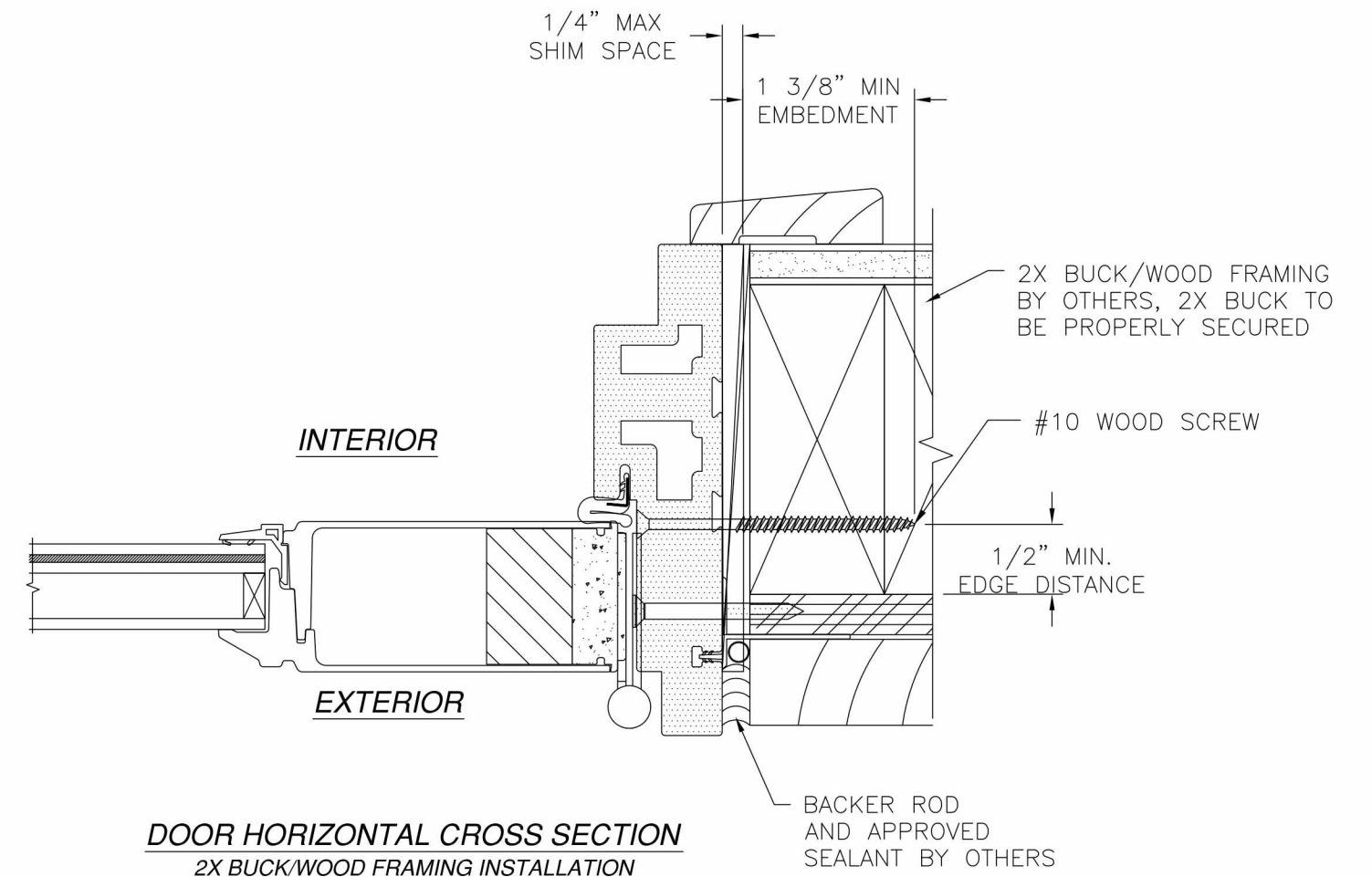
OUTSEING ENTRANCE DOOR (SLPS) NON-IMPACT
W/ & W/O SIDELITES FIBERGLASS CLAD
INSTALLATION DETAILS

DRAWN: V.L.	DWG NO. 08-01891	REV B
SCALE NTS	DATE 11/06/2014	SHEET 7 OF 9





REVISIONS			
REV	DESCRIPTION	DATE	APPROVED
A	ADDED EDGE DISTANCES	11/05/14	R.L
B	REVISED SIDELITE INSTALLATION DETAILS	05/14/15	R.L



DOOR HORIZONTAL CROSS SECTION
2X BUCK/WOOD FRAMING INSTALLATION

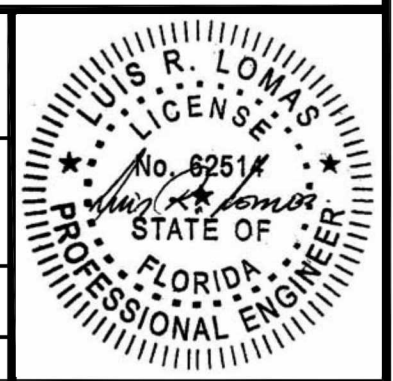
- NOTES:**
1. INTERIOR AND EXTERIOR FINISHES, BY OTHERS, NOT SHOWN FOR CLARITY.
 2. PERIMETER AND JOINT SEALANT BY OTHERS TO BE DESIGNED IN ACCORDANCE WITH ASTM E2112

SIGNED: 05/14/2015

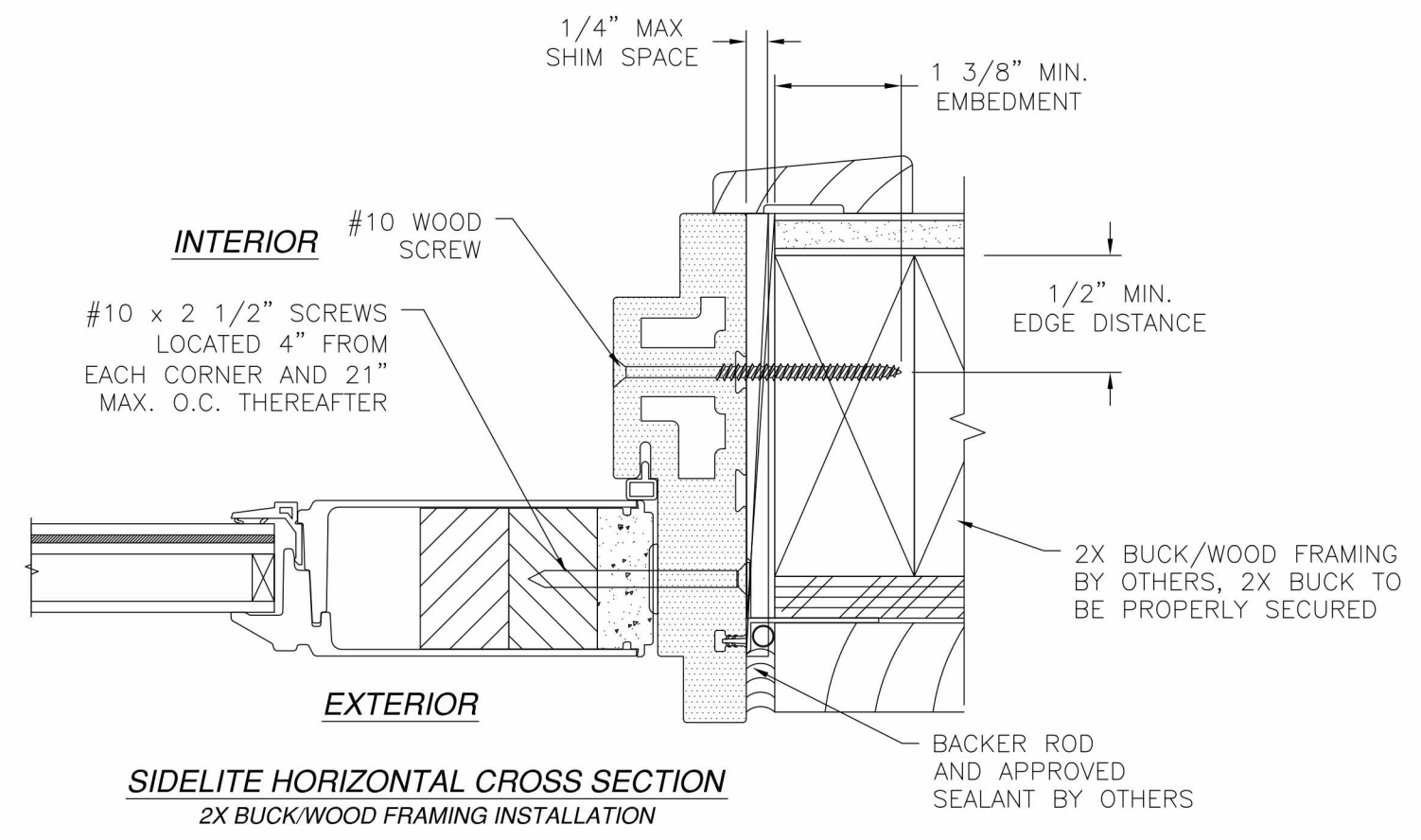
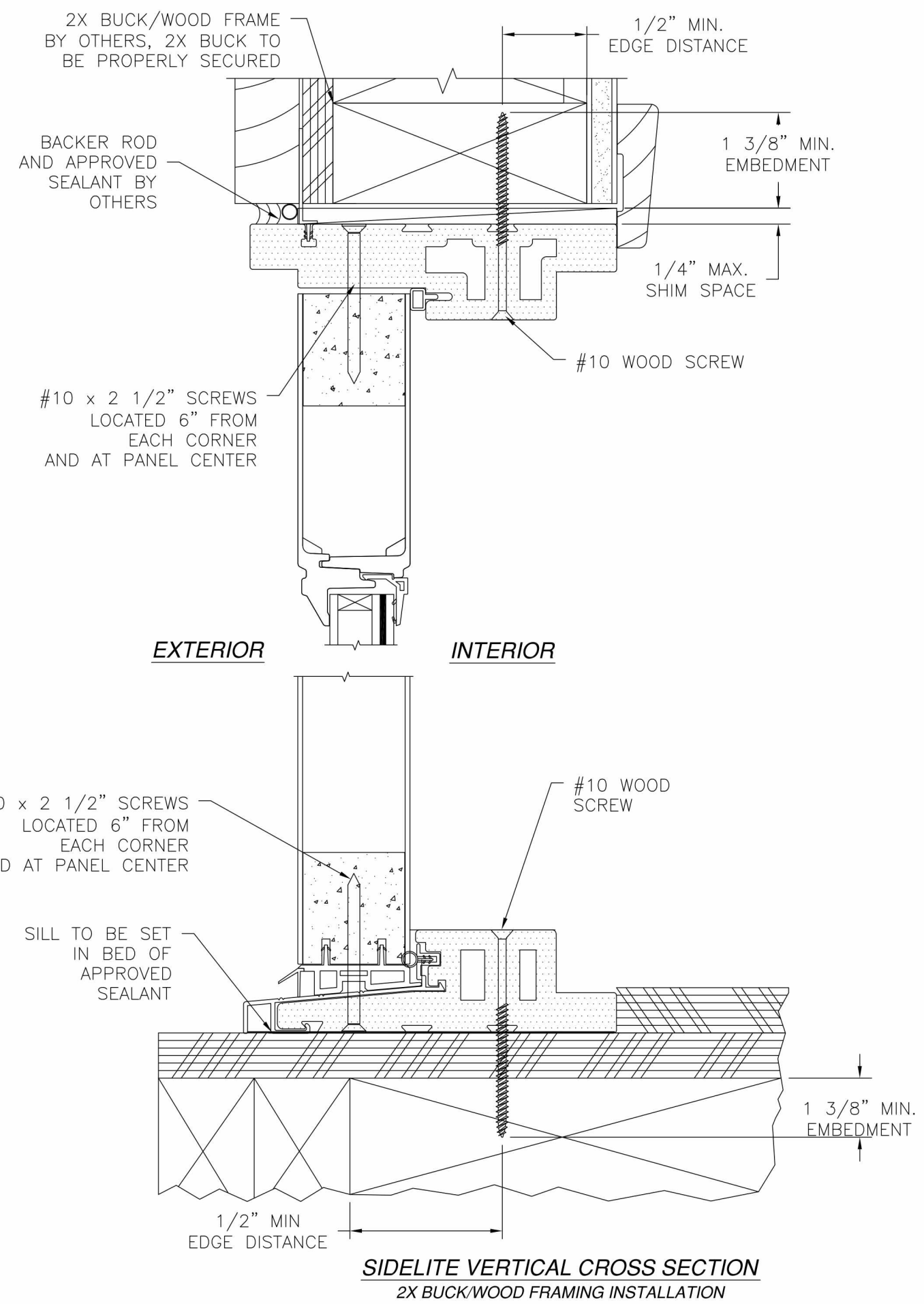
NAN YA PLASTICS CORP. USA
8989 NORTH LOOP EAST
HOUSTON, TX 77029

OUTSEING ENTRANCE DOOR (SLPS) NON-IMPACT
W/ & W/O SIDELITES FIBERGLASS CLAD
INSTALLATION DETAILS

DRAWN: V.L.	DWG NO. 08-01891	REV B
SCALE NTS	DATE 11/06/2014	SHEET 8 OF 9



REVISIONS			
REV	DESCRIPTION	DATE	APPROVED
A	ADDED EDGE DISTANCES	11/05/14	R.L
B	REVISED SIDELITE INSTALLATION DETAILS	05/14/15	R.L



NOTES:
 1. INTERIOR AND EXTERIOR FINISHES, BY OTHERS, NOT SHOWN FOR CLARITY.
 2. PERIMETER AND JOINT SEALANT BY OTHERS TO BE DESIGNED IN ACCORDANCE WITH ASTM E2112

SIGNED: 05/14/2015

NAN YA PLASTICS CORP. USA
 8989 NORTH LOOP EAST
 HOUSTON, TX 77029

OUTSEING ENTRANCE DOOR (SLPS) NON-IMPACT
 W/ & W/O SIDELITES FIBERGLASS CLAD
 INSTALLATION DETAILS

DRAWN: V.L.	DWG NO. 08-01891	REV B
SCALE NTS	DATE 11/06/2014	SHEET 9 OF 9

