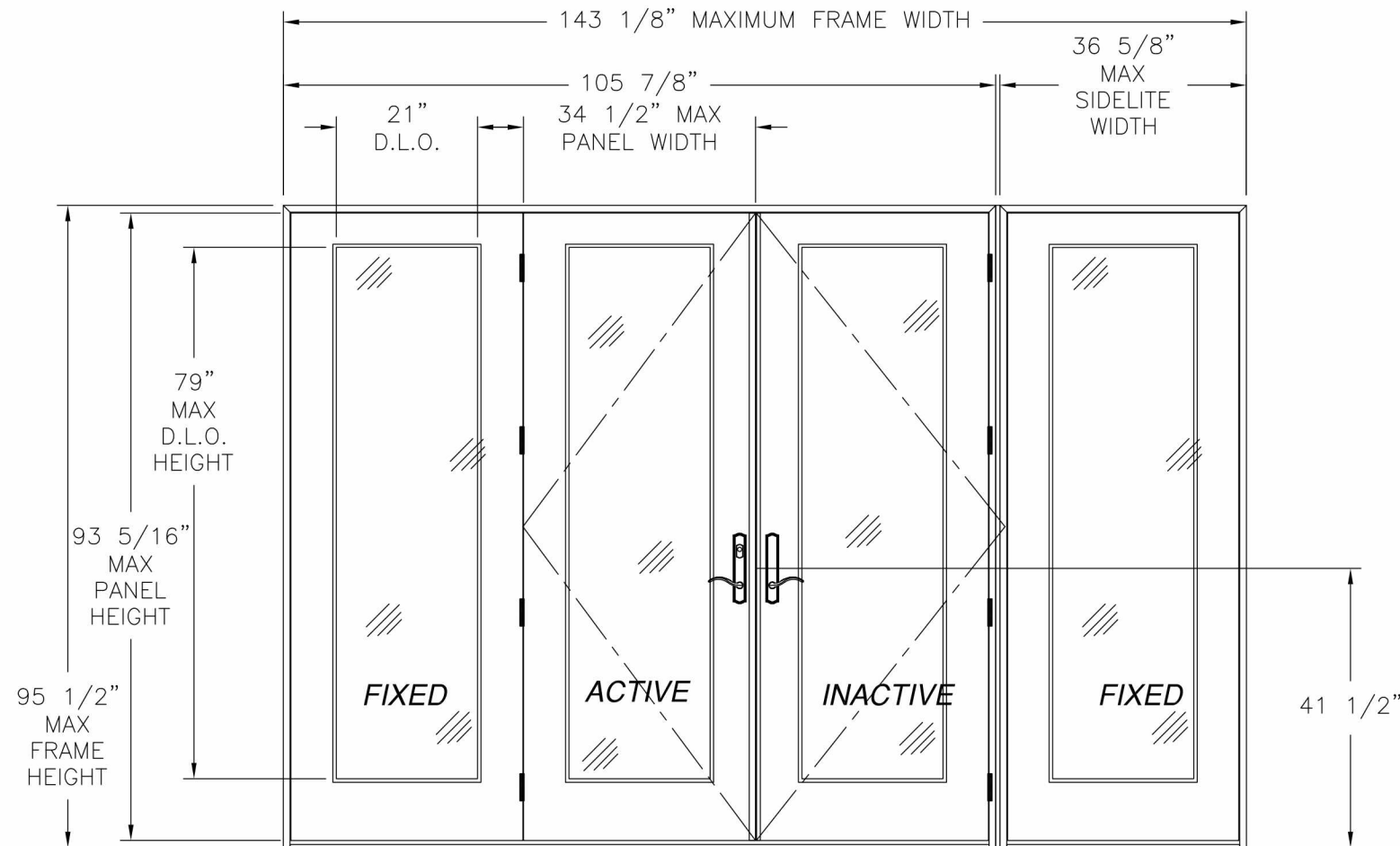


REVISIONS			
REV	DESCRIPTION	DATE	APPROVED
A	ADDED EDGE DISTANCES	11/05/14	R.L.
B	REVISED SIDELITE INSTALLATION DETAILS	05/12/15	R.L.



NOTES:

1. THE PRODUCT SHOWN HEREIN IS DESIGNED AND MANUFACTURED TO COMPLY WITH REQUIREMENTS OF THE FLORIDA BUILDING CODE.
2. WOOD FRAMING AND MASONRY OPENING TO BE DESIGNED AND ANCHORED TO PROPERLY TRANSFER ALL LOADS TO STRUCTURE. FRAMING AND MASONRY OPENING IS THE RESPONSIBILITY OF THE ARCHITECT OR ENGINEER OF RECORD.
3. 1X BUCK OVER MASONRY/CONCRETE IS OPTIONAL. WHERE 1X BUCK IS NOT USED DISSIMILAR MATERIALS MUST BE SEPARATED WITH APPROVED COATING OR MEMBRANE. SELECTION OF COATING OR MEMBRANE IS THE RESPONSIBILITY OF THE ARCHITECT OR ENGINEER OF RECORD.
4. UNITS MUST BE GLAZED PER ASTM E1300-04, SEE SHEET 5 FOR GLASS DETAILS.
5. APPROVED IMPACT PROTECTIVE SYSTEM IS NOT REQUIRED FOR THIS PRODUCT IN WIND BORNE DEBRIS REGIONS.
6. FRAME JAMB AND HEAD MATERIAL: CO-EXTRUDED PVC FOAM 1 1/2" THICK.
7. FRAME SILL MATERIAL: CO-EXTRUDED PVC FOAM 2" THICK WITH ALUMINUM CLADDING .063" THICK.
8. DOOR PANEL AND SIDELITE MATERIAL: .075" THICK FIBERGLASS SKIN WITH PVC FOAM TOP AND BOTTOM RAILS, AND PVC FOAM VERTICAL STILES WITH PINE REINFORCEMENTS AND POLYURETHANE FOAM CORE.
9. APPROVED CONFIGURATIONS: O, X, OX, XO, XX, OXO, XXO, OXX AND OXXO. SEE SHEET 2.
10. HINGES LOCATED AT 8", 33 1/2", 59" AND 84 1/2" FROM BOTTOM OF PANEL

SERIES SLPS 8'0 HEIGHT OUT-SWING PATIO DOOR W/ SIDELITES
EXTERIOR VIEW

DESIGN PRESSURE RATING	IMPACT RATING
±50.0PSF	LARGE AND SMALL MISSILE IMPACT

MISSILE LEVEL D, WIND ZONE 4

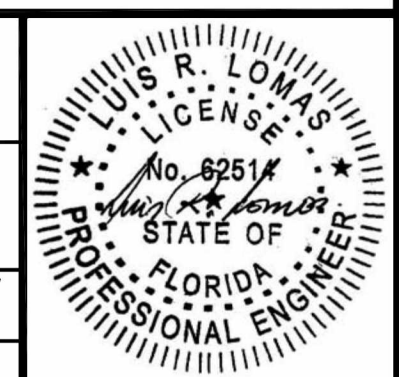
SIGNED: 05/12/2015

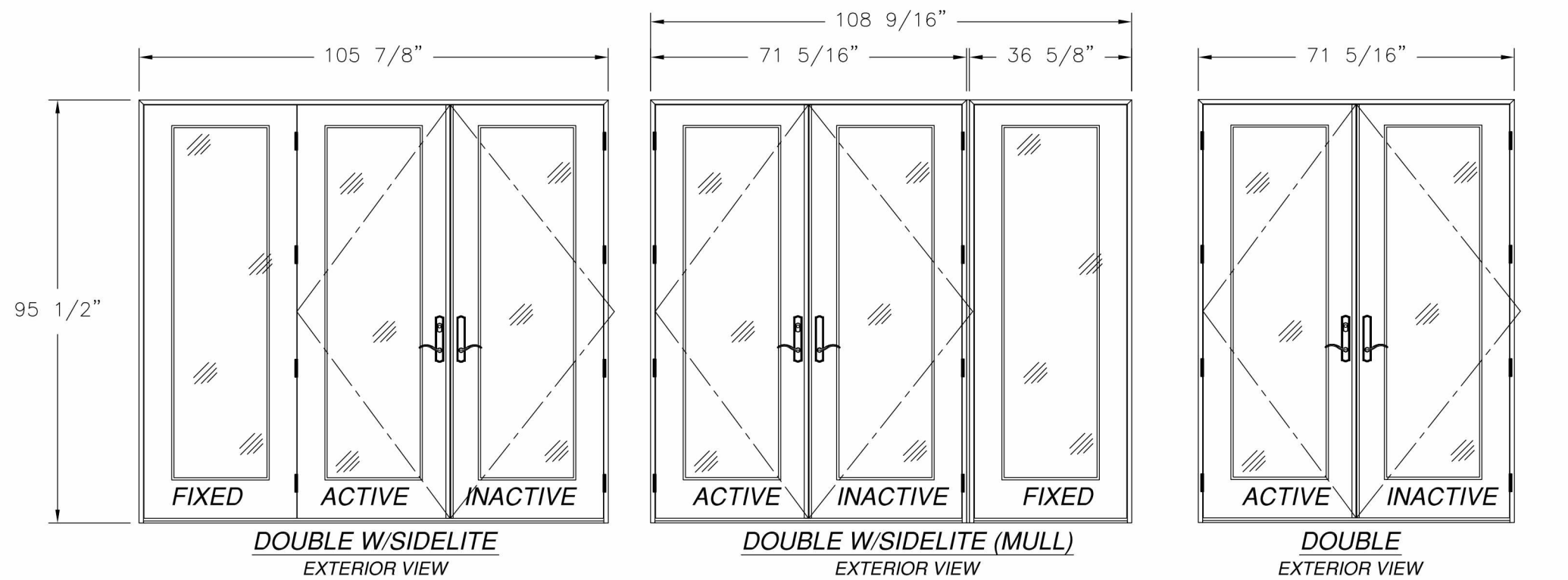
TABLE OF CONTENTS	
SHEET NO.	DESCRIPTION
1, 2	ELEVATION AND NOTES
3, 4	ANCHORING LAYOUTS
5 - 9	INSTALLATION DETAILS

NAN YA PLASTICS CORP. USA
8989 NORTH LOOP EAST
HOUSTON, TX 77029

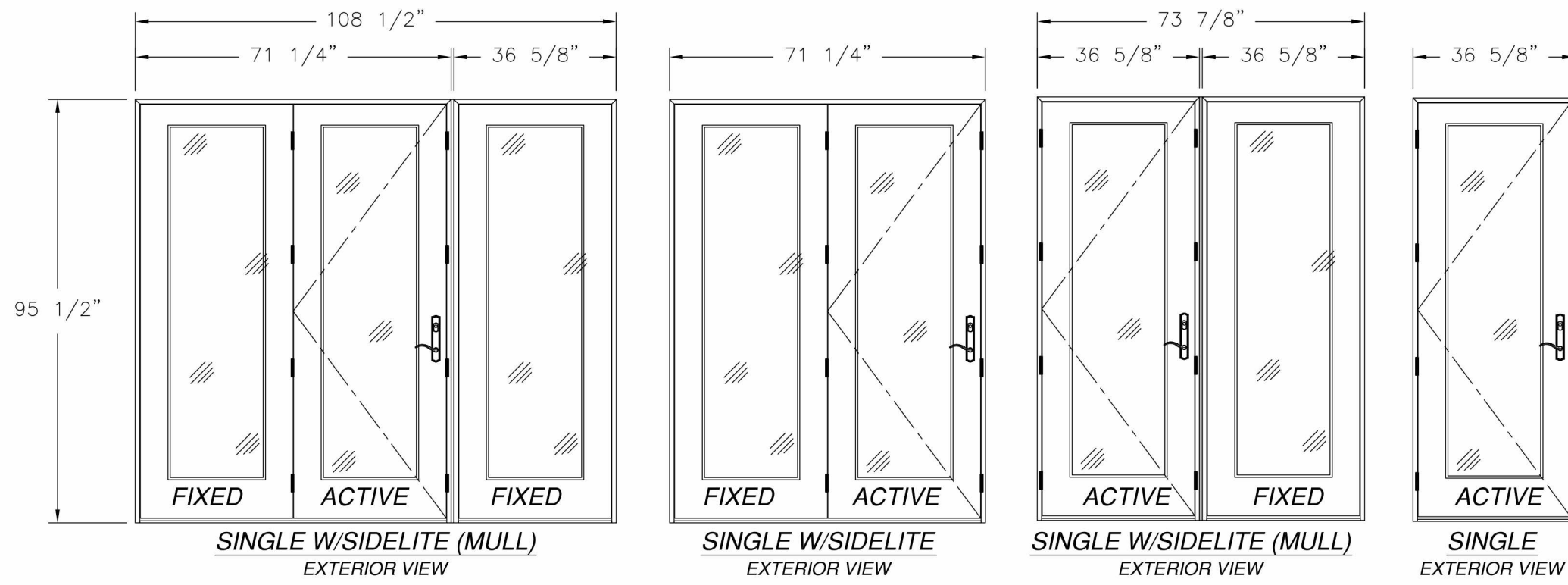
SERIES SLPS 8'0" HEIGHT OS PATIO DOOR
FIBERGLASS SIDE HINGED DOOR W/ SIDELITES
ELEVATION AND NOTES

DRAWN: V.L.	DWG NO. 08-02135	REV B
SCALE NTS	DATE 07/11/13	SHEET 1 OF 9





REVISIONS			
REV	DESCRIPTION	DATE	APPROVED
A	ADDED EDGE DISTANCES	11/05/14	R.L.
B	REVISED SIDELITE INSTALLATION DETAILS	05/12/15	R.L.



SIGNED: 05/12/2015

NOTE:
ALL APPROVED CONFIGURATIONS ARE SHOWN AS LEFT HAND ACTIVE, RIGHT HAND ACTIVE IS ALSO APPROVED.

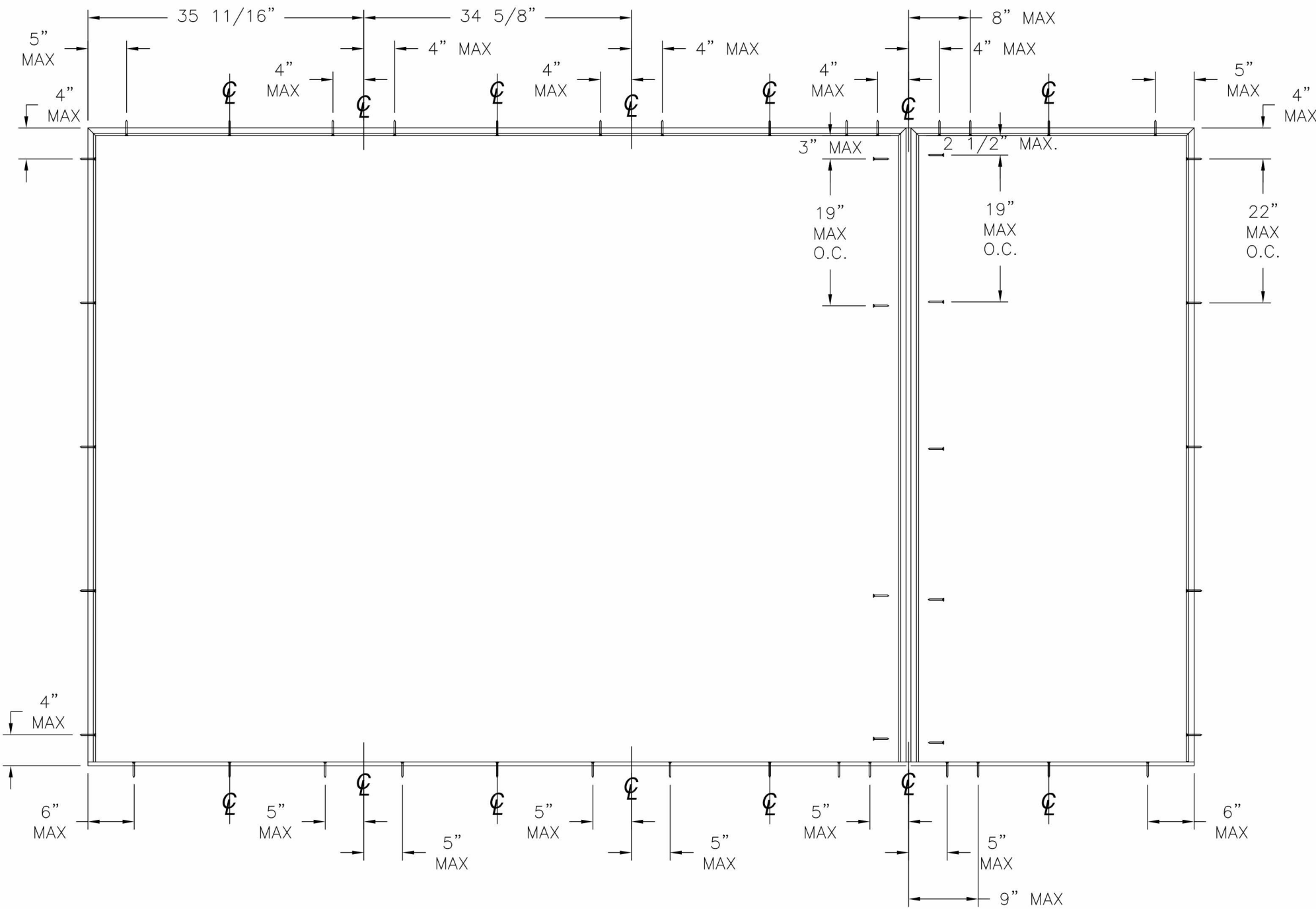
NAN YA PLASTICS CORP. USA
 8989 NORTH LOOP EAST
 HOUSTON, TX 77029

SERIES SLPS 8'0" HEIGHT OS PATIO DOOR
 FIBERGLASS SIDE HINGED DOOR W/ SIDELITES
 APPROVED ELEVATIONS

DRAWN: V.L.	DWG NO. 08-02135	REV B
SCALE NTS	DATE 07/11/13	SHEET 2 OF 9



REVISIONS			
REV	DESCRIPTION	DATE	APPROVED
A	ADDED EDGE DISTANCES	11/05/14	R.L.
B	REVISED SIDELITE INSTALLATION DETAILS	05/12/15	R.L.



ANCHORING NOTES:

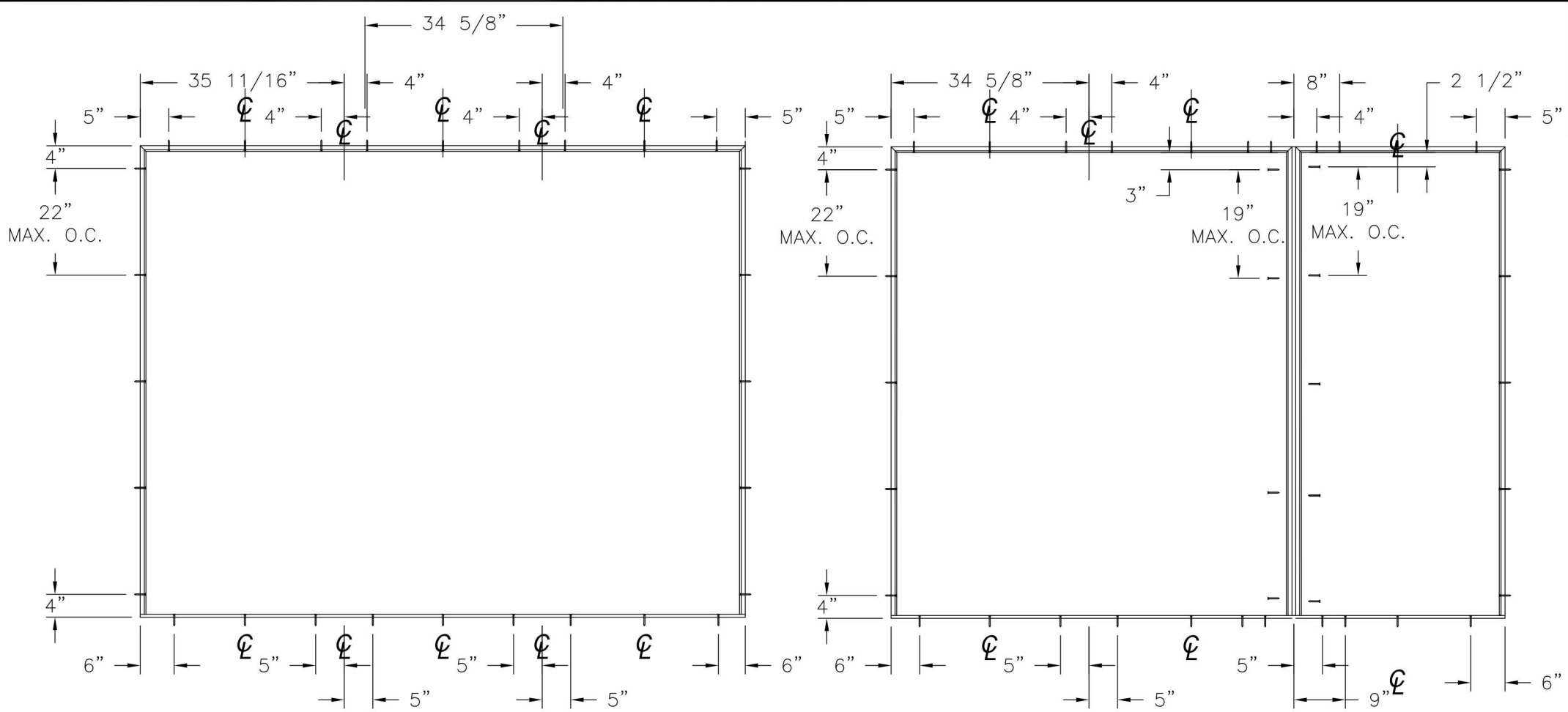
- 1) SHIM AS REQUIRED AT EACH INSTALLATION ANCHOR WITH LOAD BEARING SHIM. SHIM WHERE SPACE OF 1/16" OR GREATER OCCURS. MAXIMUM ALLOWABLE SHIM STACK TO BE 1/4".
- 2) FOR ANCHORING INTO MASONRY/CONCRETE USE 3/16" TAPCON OF SUFFICIENT LENGTH TO ACHIEVE A 1 1/4" MINIMUM EMBEDMENT INTO SUBSTRATE. LOCATE ANCHORS AS SHOWN IN ANCHORING LAYOUT AND INSTALLATION DETAILS.
- 3) FOR ANCHORING INTO 2X BUCK OR WOOD FRAMING USE #10 WOOD SCREW OF SUFFICIENT LENGTH TO ACHIEVE A 1 3/8" MINIMUM EMBEDMENT INTO SUBSTRATE. LOCATE ANCHORS AS SHOWN IN ANCHORING LAYOUT AND INSTALLATION DETAILS.
- 4) ALL FASTENERS TO BE CORROSION RESISTANT.
- 5) INSTALLATION ANCHORS SHALL BE INSTALLED IN ACCORDANCE WITH ANCHOR MANUFACTURER'S INSTALLATION INSTRUCTIONS, AND ANCHORS SHALL NOT BE USED IN SUBSTRATES WITH STRENGTHS LESS THAN THE MINIMUM STRENGTH SPECIFIED BELOW:
 A. WOOD – MINIMUM SPECIFIC GRAVITY OF G=0.42
 B. CONCRETE – MINIMUM COMPRESSIVE STRENGTH OF 3,200 PSI.
 C. MASONRY – STRENGTH CONFORMANCE TO ASTM C-90, GRADE N, TYPE 1 (OR GREATER).

ANCHORING LAYOUT

SIGNED: 05/12/2015

NAN YA PLASTICS CORP. USA 8989 NORTH LOOP EAST HOUSTON, TX 77029		
SERIES SLPS 8'0" HEIGHT OS PATIO DOOR FIBERGLASS SIDE HINGED DOOR W/ SIDELITES ANCHORING LAYOUT		
DRAWN: V.L.	DWG NO. 08-02135	REV B
SCALE NTS	DATE 07/11/13	SHEET 3 OF 9

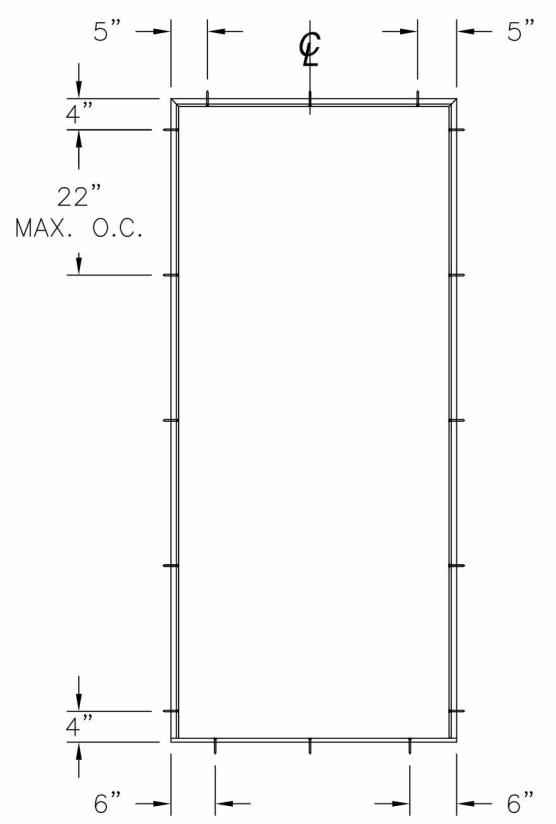




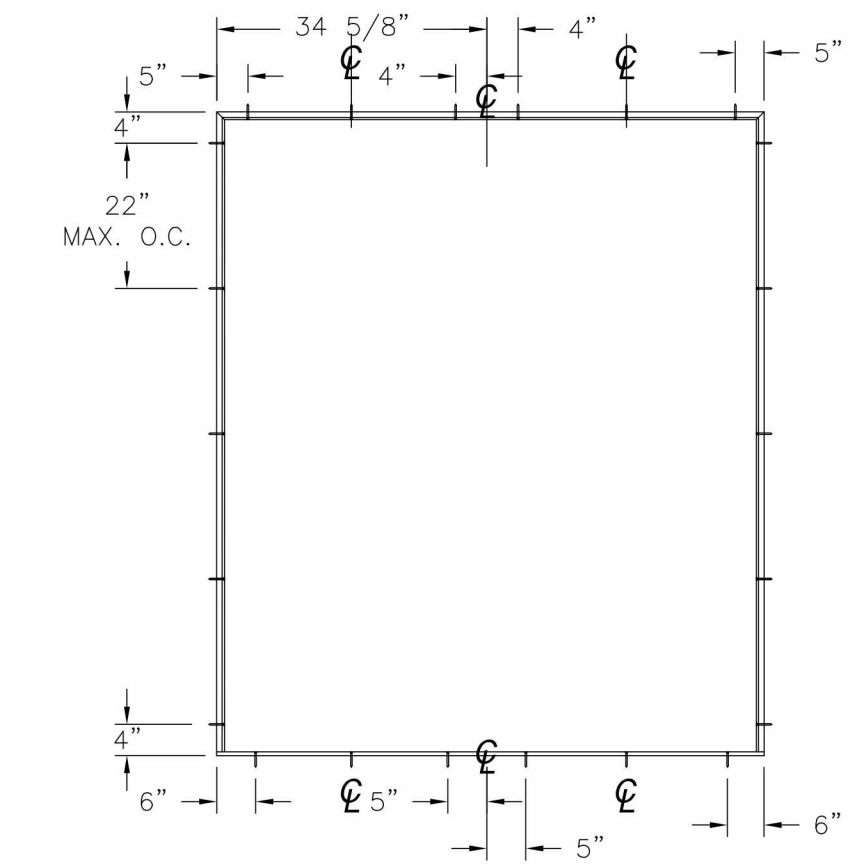
ANCHORING LAYOUT FOR OXO, XXO AND OXX

ANCHORING LAYOUT FOR OXO, XXO AND OXX (MULL)

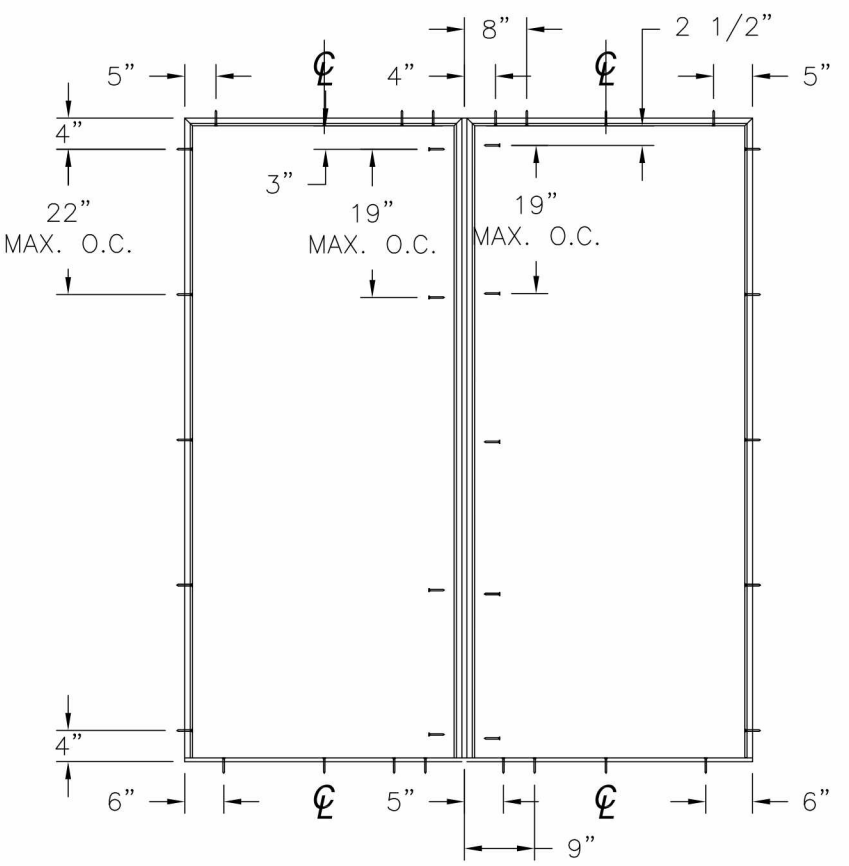
REVISIONS			
REV	DESCRIPTION	DATE	APPROVED
A	ADDED EDGE DISTANCES	11/05/14	R.L.
B	REVISED SIDELITE INSTALLATION DETAILS	05/12/15	R.L.



ANCHORING LAYOUT FOR X



ANCHORING LAYOUT FOR XX, OX AND XO



ANCHORING LAYOUT FOR OX AND XO (MULL)

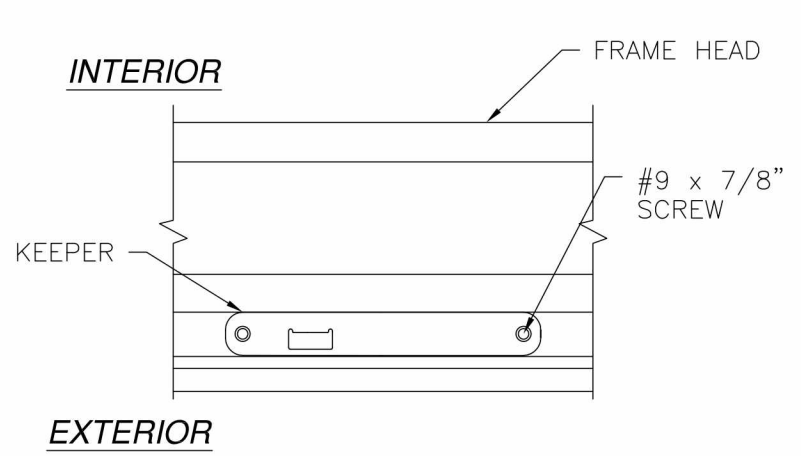
NAN YA PLASTICS CORP. USA
 8989 NORTH LOOP EAST
 HOUSTON, TX 77029

SERIES SLPS 8'0" HEIGHT OS PATIO DOOR
 FIBERGLASS SIDE HINGED DOOR W/ SIDELITES
 ANCHORING LAYOUTS

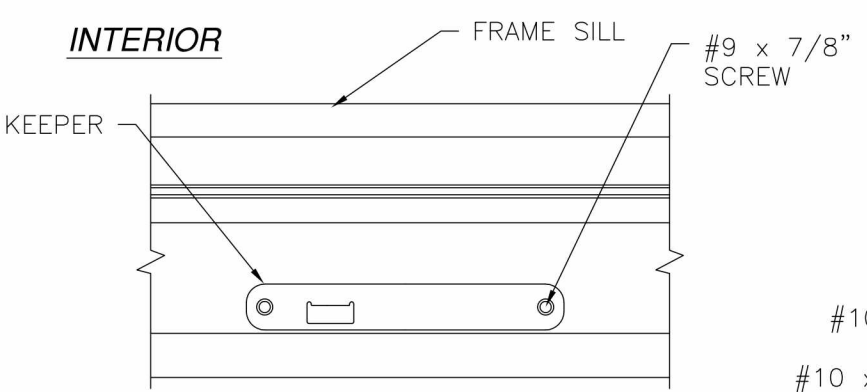
DRAWN: V.L.	DWG NO. 08-02135	REV B
SCALE NTS	DATE 07/11/13	SHEET 4 OF 9

SIGNED: 05/12/2015

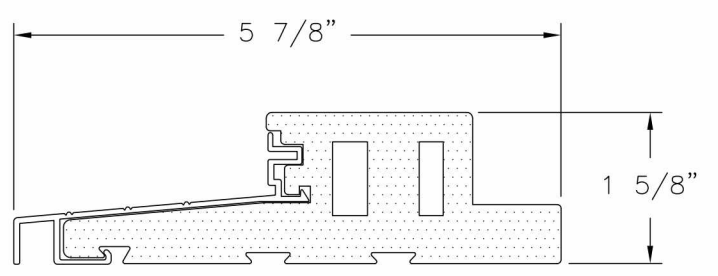




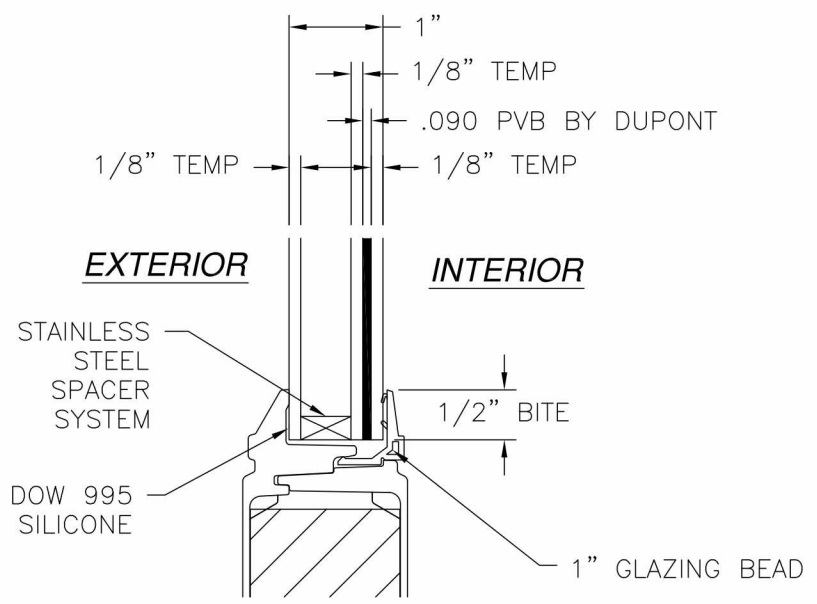
HEAD KEEPER DETAIL



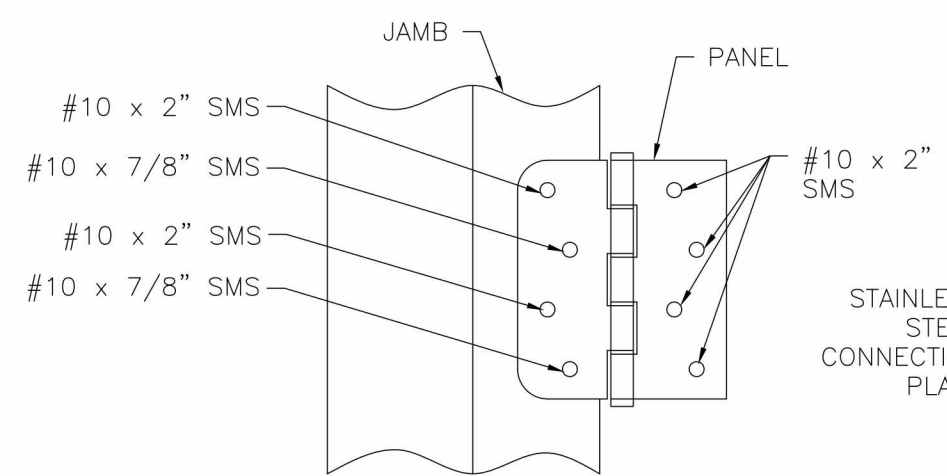
SILL KEEPER DETAIL



OUTSWING DOOR SILL DETAIL

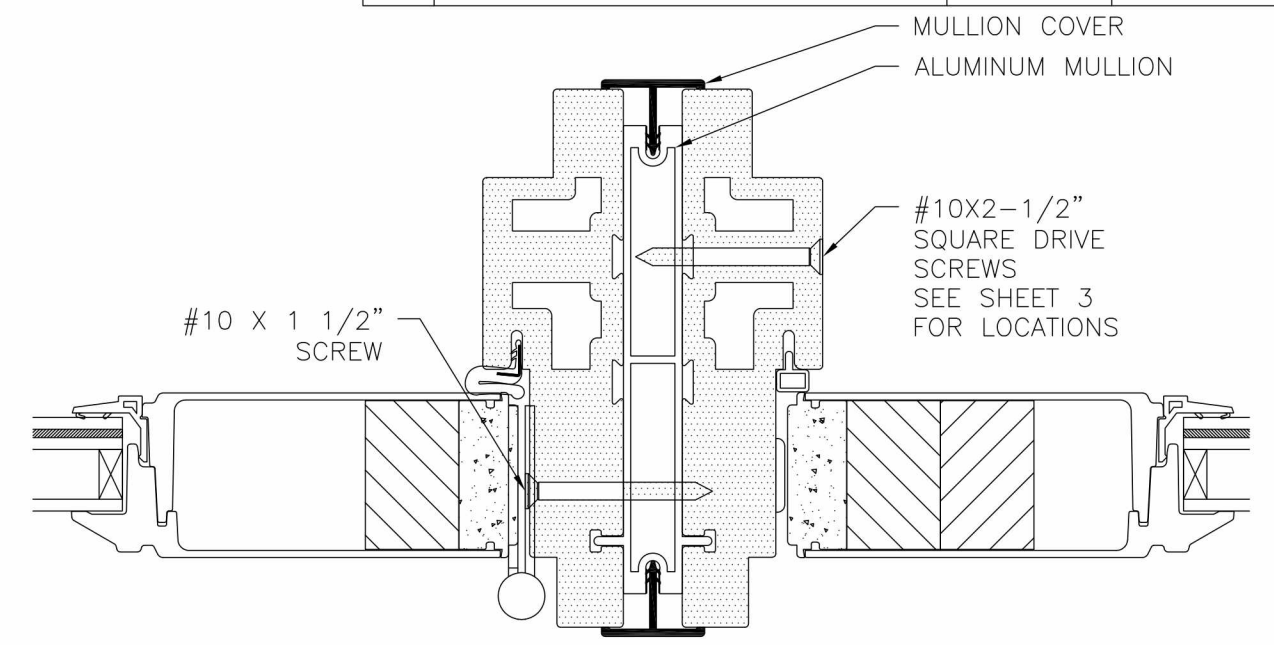


GLAZING DETAIL

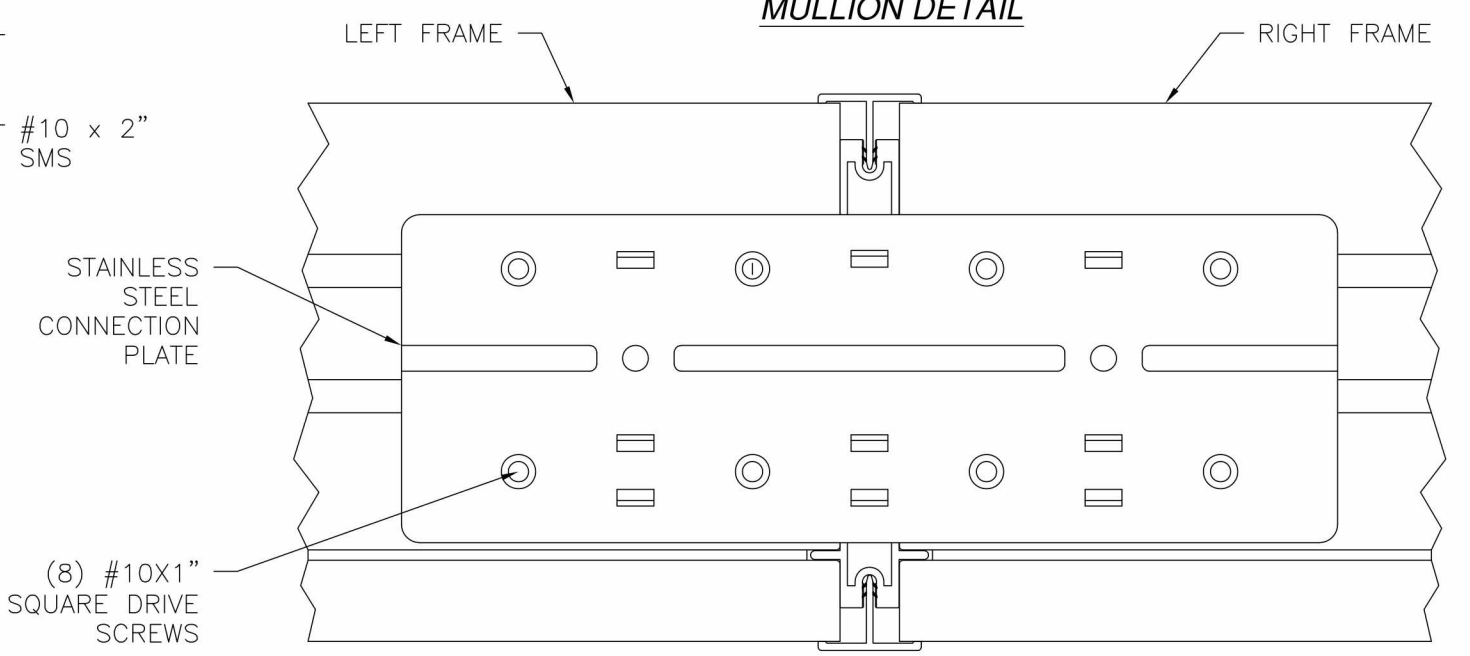


HINGE INSTALLATION DETAIL

REVISIONS			
REV	DESCRIPTION	DATE	APPROVED
A	ADDED EDGE DISTANCES	11/05/14	R.L.
B	REVISED SIDELITE INSTALLATION DETAILS	05/12/15	R.L.



MULLION DETAIL



FRAME CONNECTION DETAIL

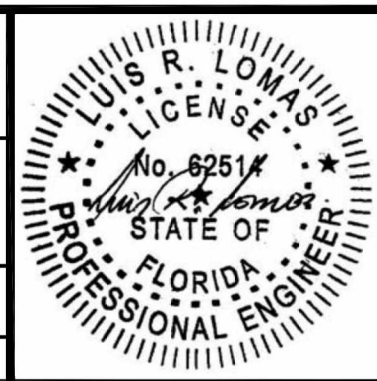
SIGNED: 05/12/2015

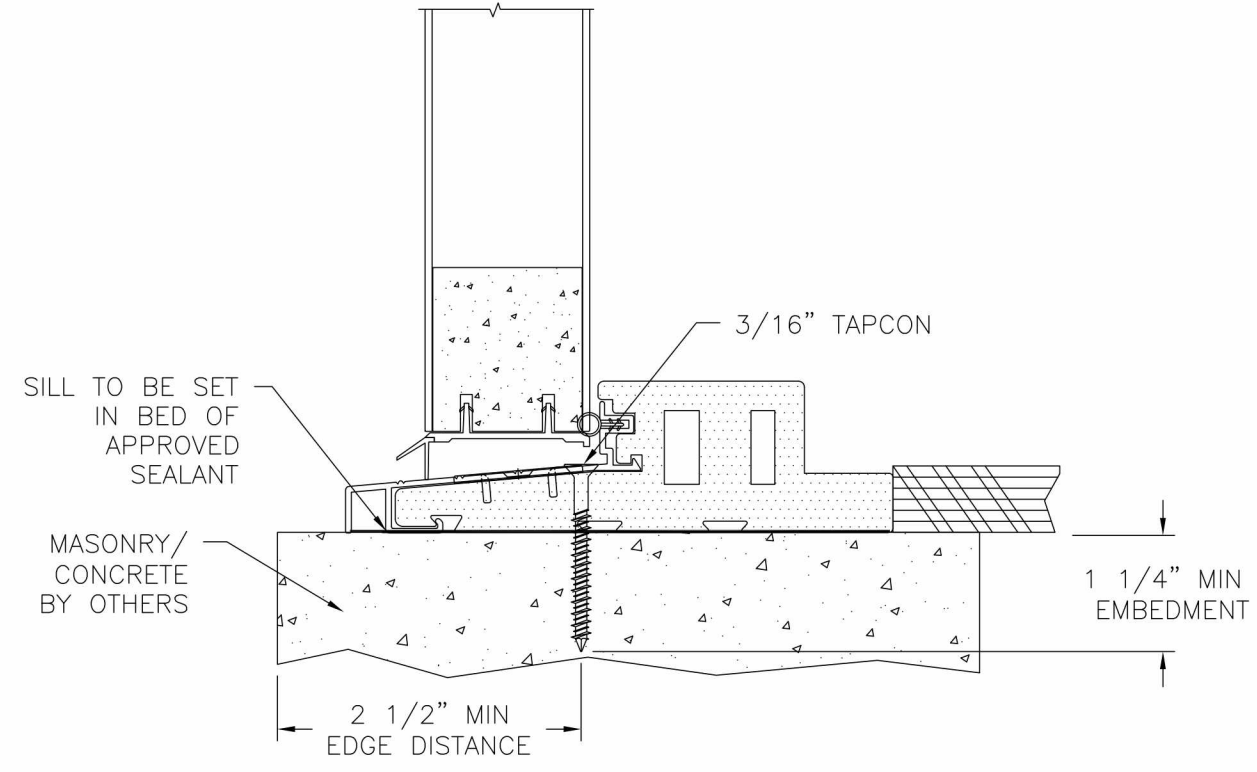
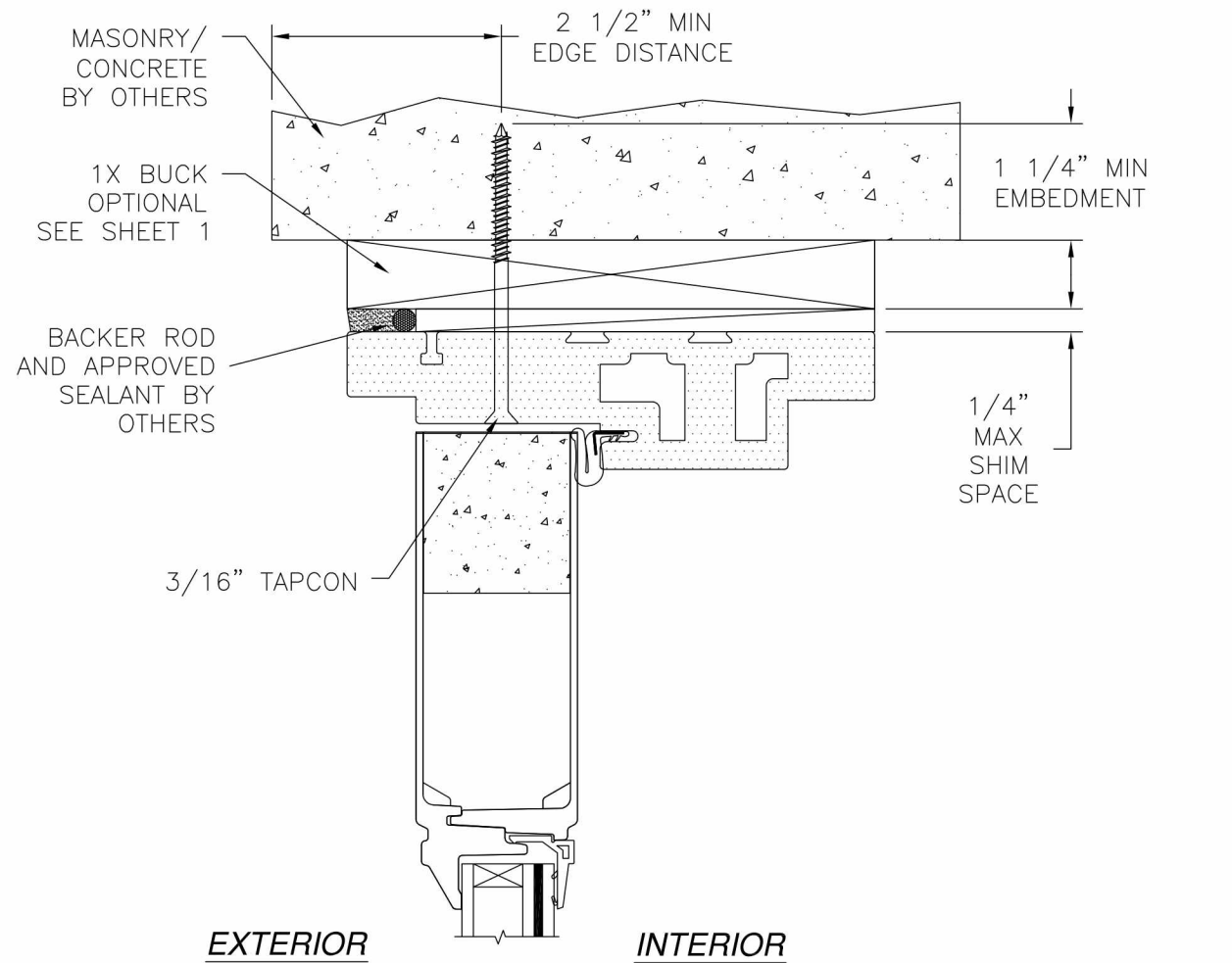
HARDWARE SCHEDULE	
A.	(3) 4" BUTT HINGE
B.	2 POINT LOCK SYSTEM
C.	RIGID PVC ASTRAGAL WITH ALUMINUM REINFORCEMENT

NAN YA PLASTICS CORP. USA
 8989 NORTH LOOP EAST
 HOUSTON, TX 77029

SERIES SLPS 8'0" HEIGHT OS PATIO DOOR
 FIBERGLASS SIDE HINGED DOOR W/ SIDELITES
 INSTALLATION DETAILS

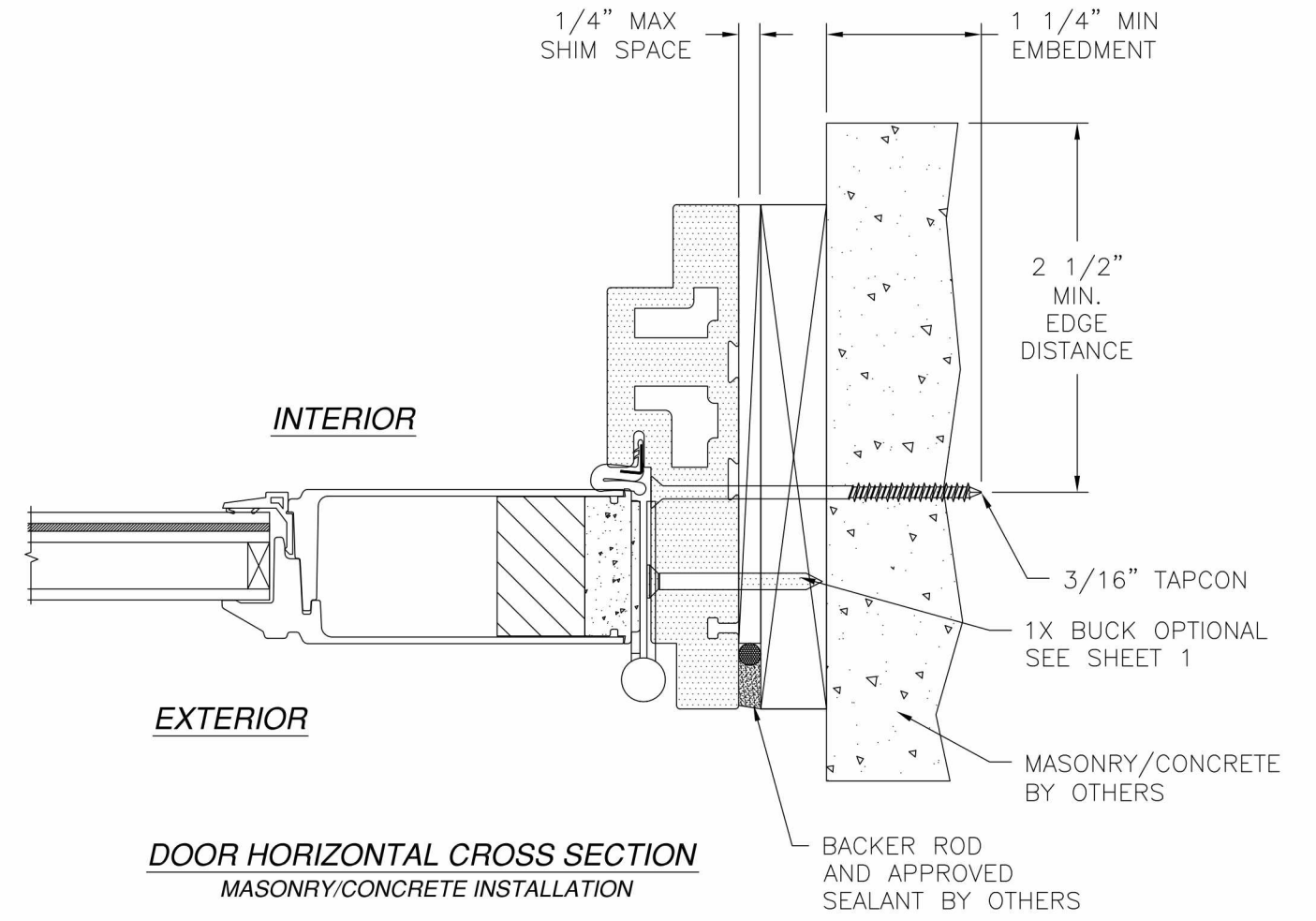
DRAWN: V.L.	DWG NO. 08-02135	REV B
SCALE NTS	DATE 07/11/13	SHEET 5 OF 9





DOOR VERTICAL CROSS SECTION
MASONRY/CONCRETE INSTALLATION

REVISIONS			
REV	DESCRIPTION	DATE	APPROVED
A	ADDED EDGE DISTANCES	11/05/14	R.L.
B	REVISED SIDELITE INSTALLATION DETAILS	05/12/15	R.L.



DOOR HORIZONTAL CROSS SECTION
MASONRY/CONCRETE INSTALLATION

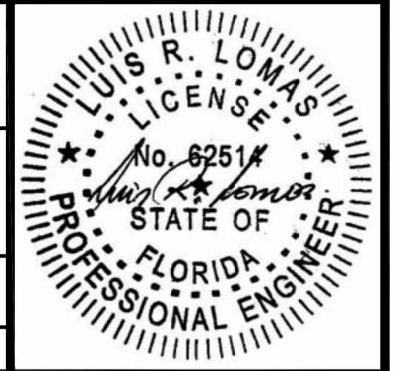
- NOTES:**
1. INTERIOR AND EXTERIOR FINISHES, BY OTHERS, NOT SHOWN FOR CLARITY.
 2. PERIMETER AND JOINT SEALANT BY OTHERS TO BE DESIGNED IN ACCORDANCE WITH ASTM E2112

SIGNED: 05/12/2015

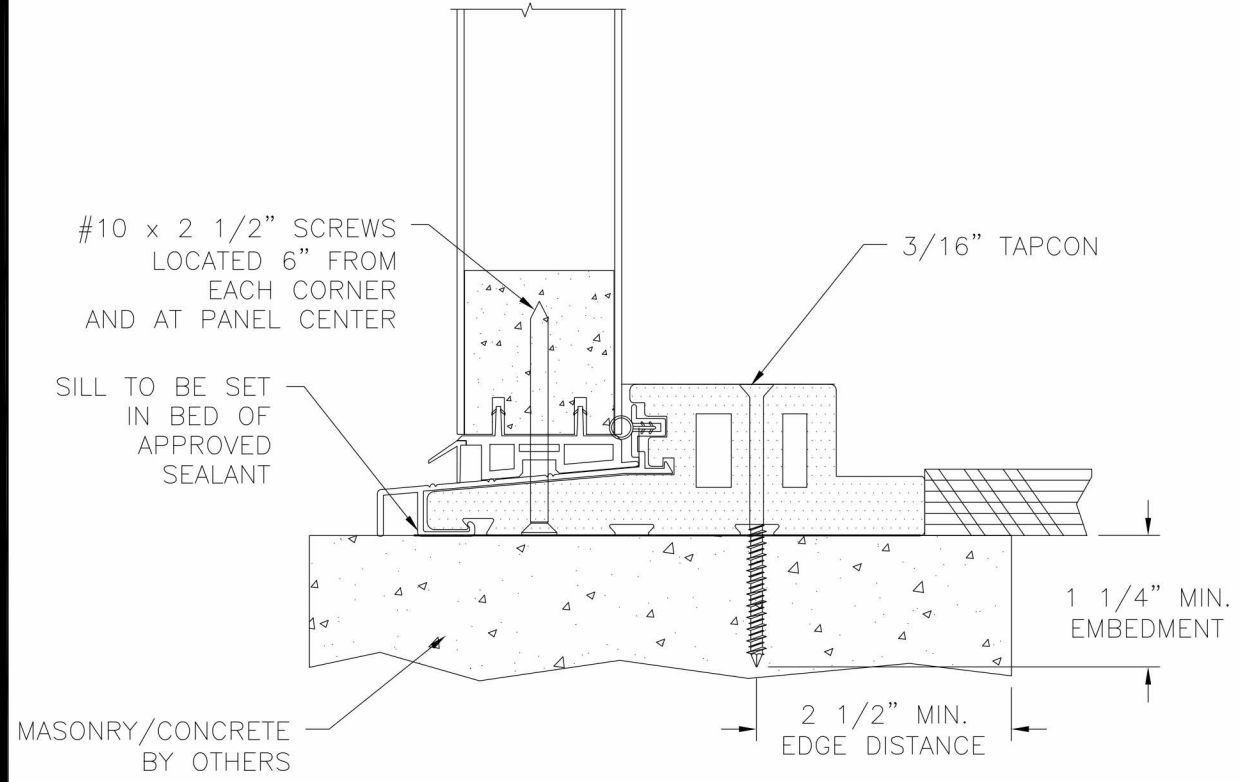
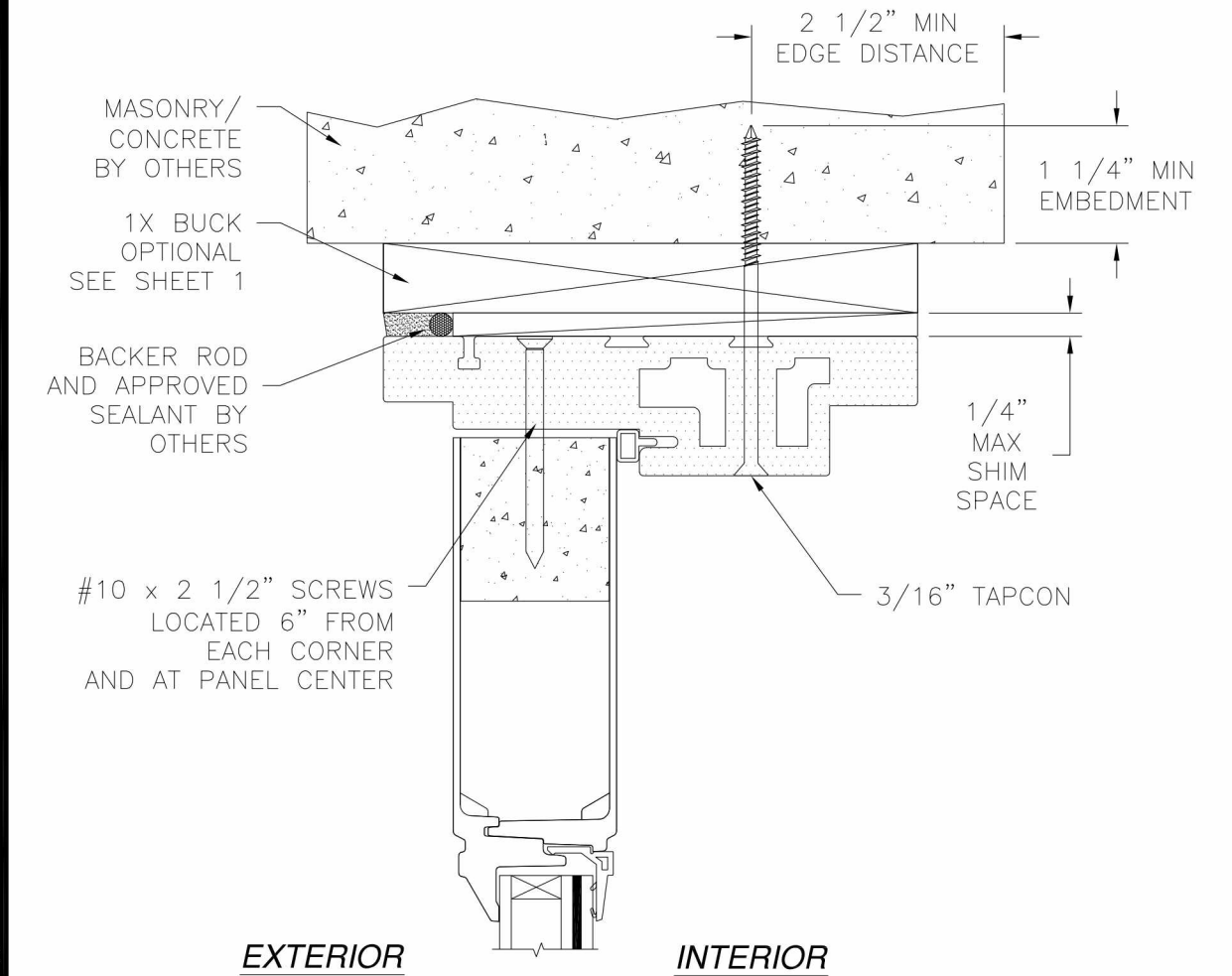
NAN YA PLASTICS CORP. USA
8989 NORTH LOOP EAST
HOUSTON, TX 77029

SERIES SLPS 8'0" HEIGHT OS PATIO DOOR
FIBERGLASS SIDE HINGED DOOR W/ SIDELITES
INSTALLATION DETAILS

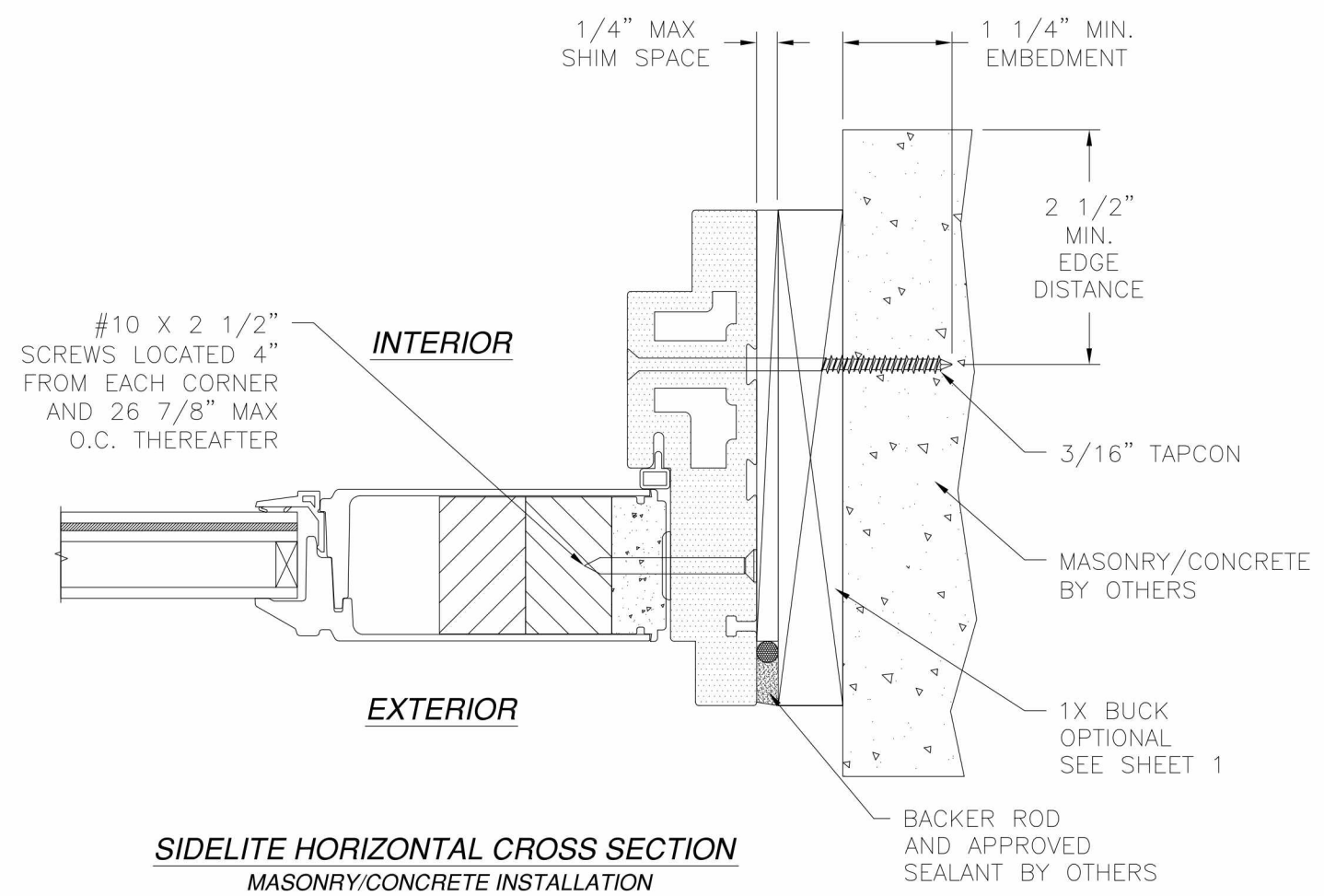
DRAWN: V.L.	DWG NO. 08-02135	REV B
SCALE NTS	DATE 07/11/13	SHEET 6 OF 9



REVISIONS			
REV	DESCRIPTION	DATE	APPROVED
A	ADDED EDGE DISTANCES	11/05/14	R.L.
B	REVISED SIDELITE INSTALLATION DETAILS	05/12/15	R.L.



SIDELITE VERTICAL CROSS SECTION
MASONRY/CONCRETE INSTALLATION



SIDELITE HORIZONTAL CROSS SECTION
MASONRY/CONCRETE INSTALLATION

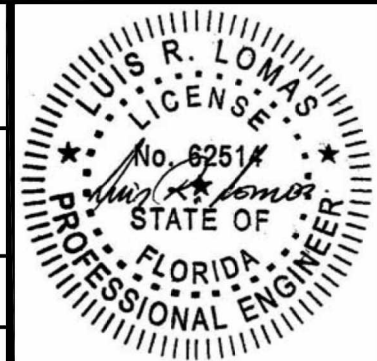
- NOTES:**
1. INTERIOR AND EXTERIOR FINISHES, BY OTHERS, NOT SHOWN FOR CLARITY.
 2. PERIMETER AND JOINT SEALANT BY OTHERS TO BE DESIGNED IN ACCORDANCE WITH ASTM E2112

SIGNED: 05/12/2015

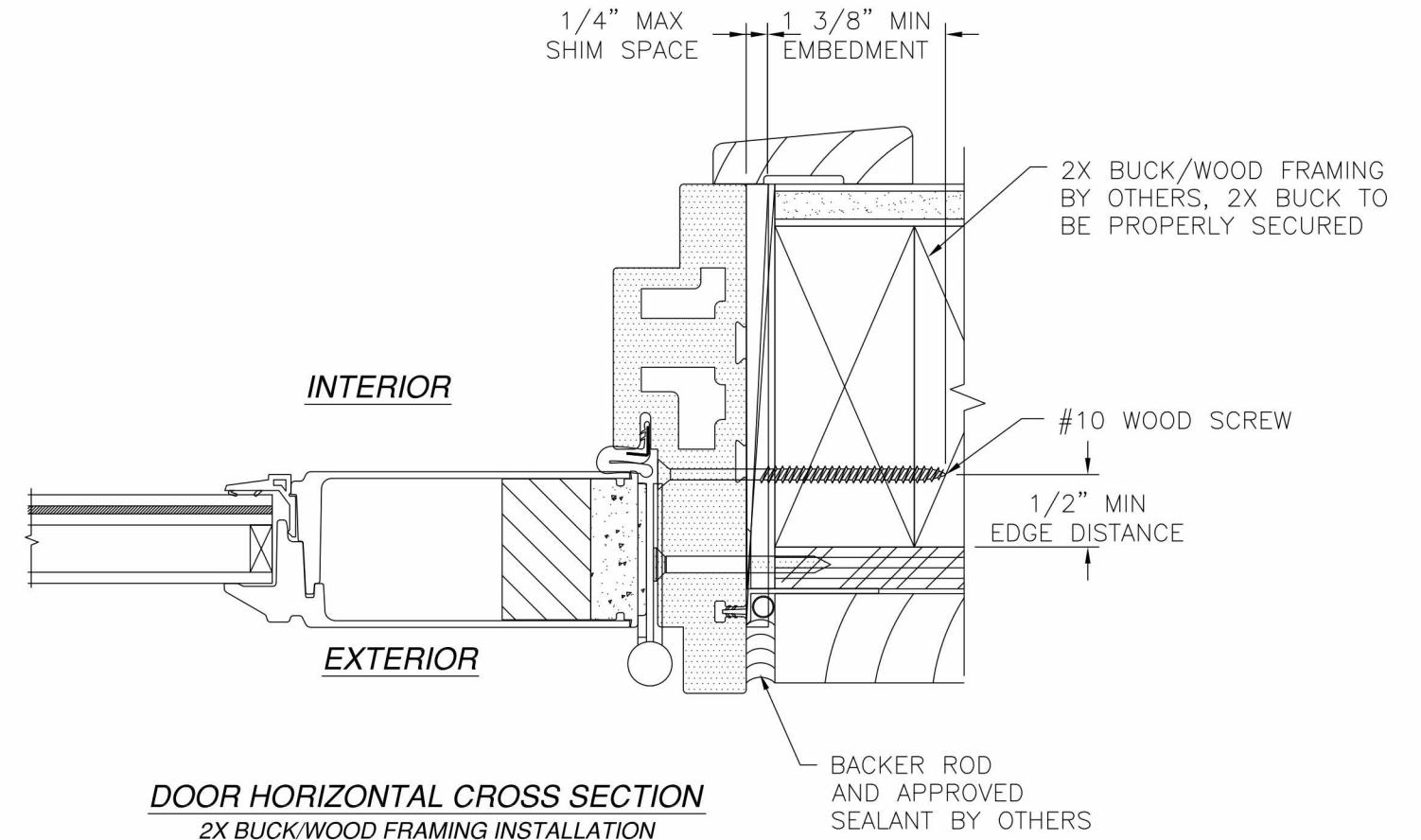
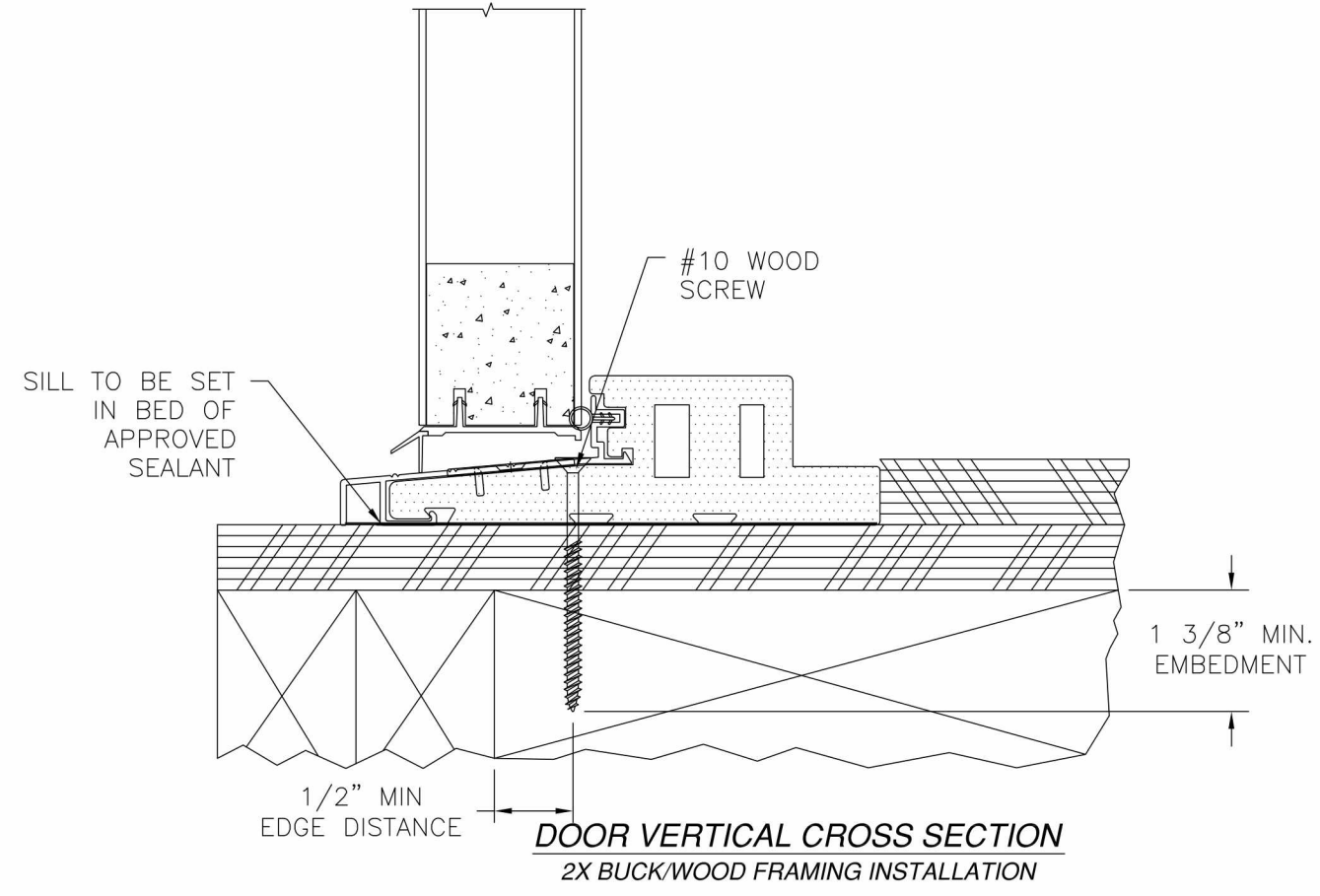
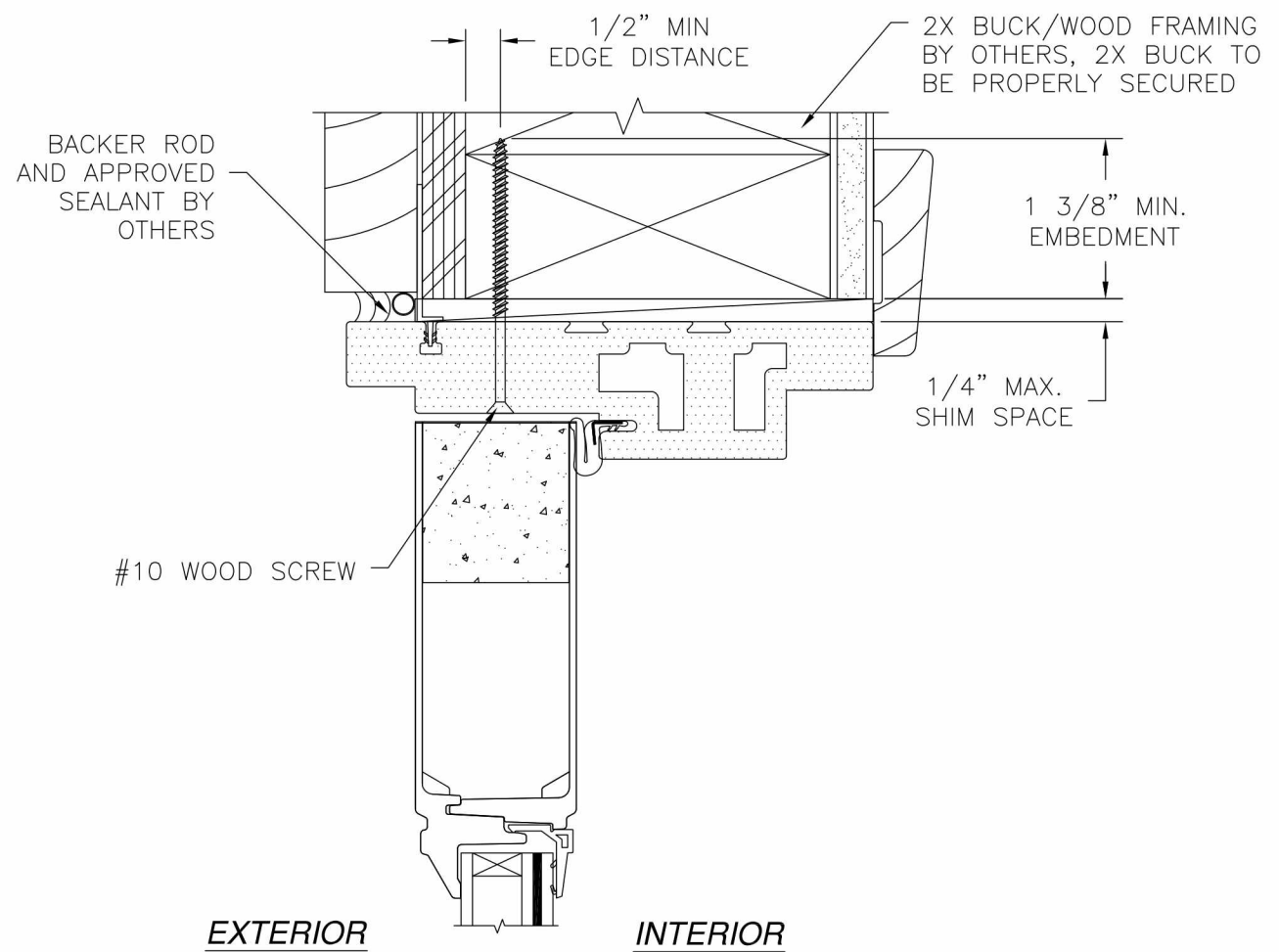
NAN YA PLASTICS CORP. USA
8989 NORTH LOOP EAST
HOUSTON, TX 77029

SERIES SLPS 8'0" HEIGHT OS PATIO DOOR
FIBERGLASS SIDE HINGED DOOR W/ SIDELITES
INSTALLATION DETAILS

DRAWN: V.L.	DWG NO. 08-02135	REV B
SCALE NTS	DATE 07/11/13	SHEET 7 OF 9



REVISIONS			
REV	DESCRIPTION	DATE	APPROVED
A	ADDED EDGE DISTANCES	11/05/14	R.L.
B	REVISED SIDELITE INSTALLATION DETAILS	05/12/15	R.L.



DOOR HORIZONTAL CROSS SECTION
2X BUCKWOOD FRAMING INSTALLATION

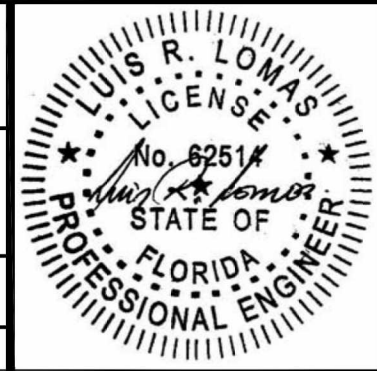
- NOTES:**
1. INTERIOR AND EXTERIOR FINISHES, BY OTHERS, NOT SHOWN FOR CLARITY.
 2. PERIMETER AND JOINT SEALANT BY OTHERS TO BE DESIGNED IN ACCORDANCE WITH ASTM E2112

SIGNED: 05/12/2015

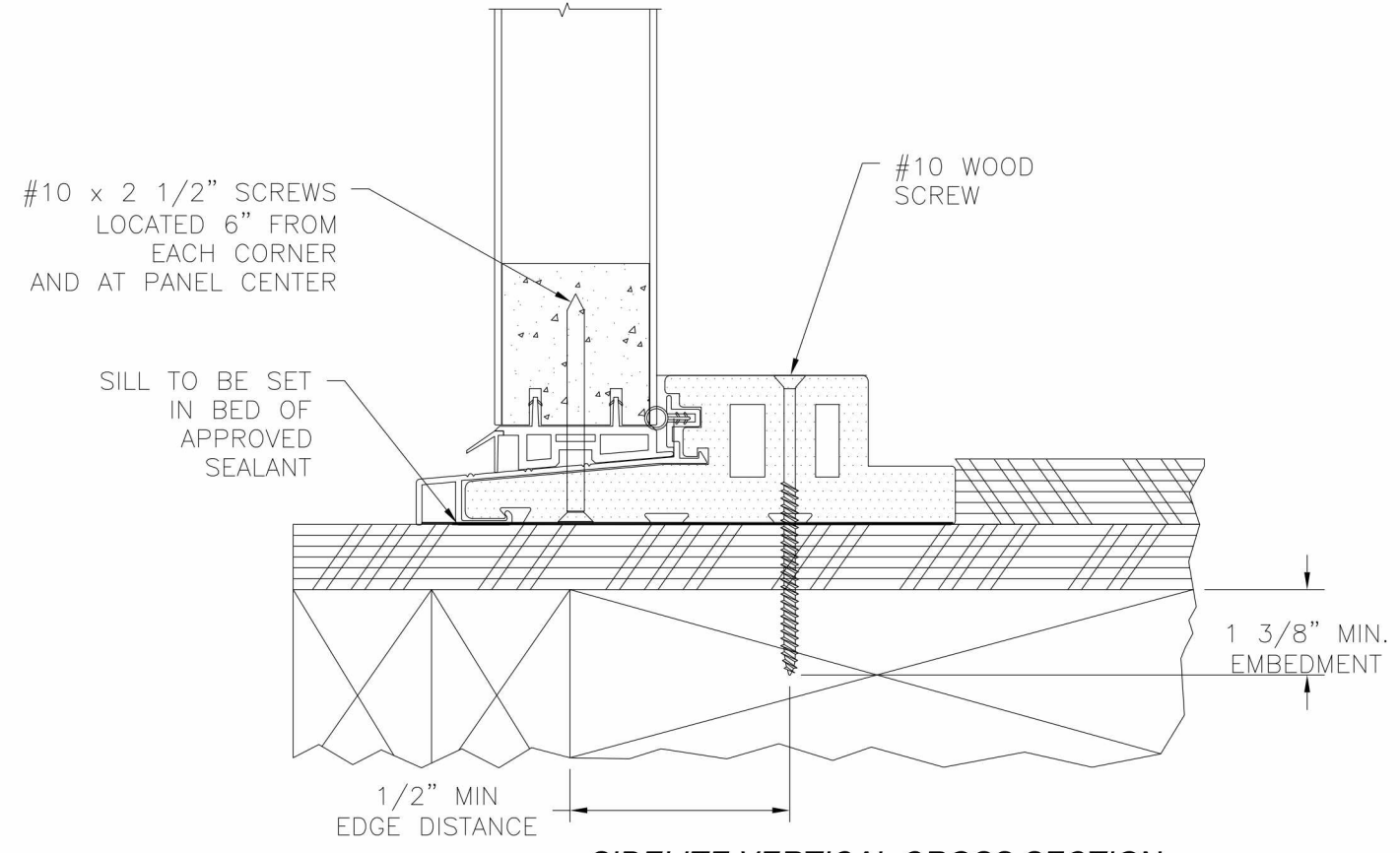
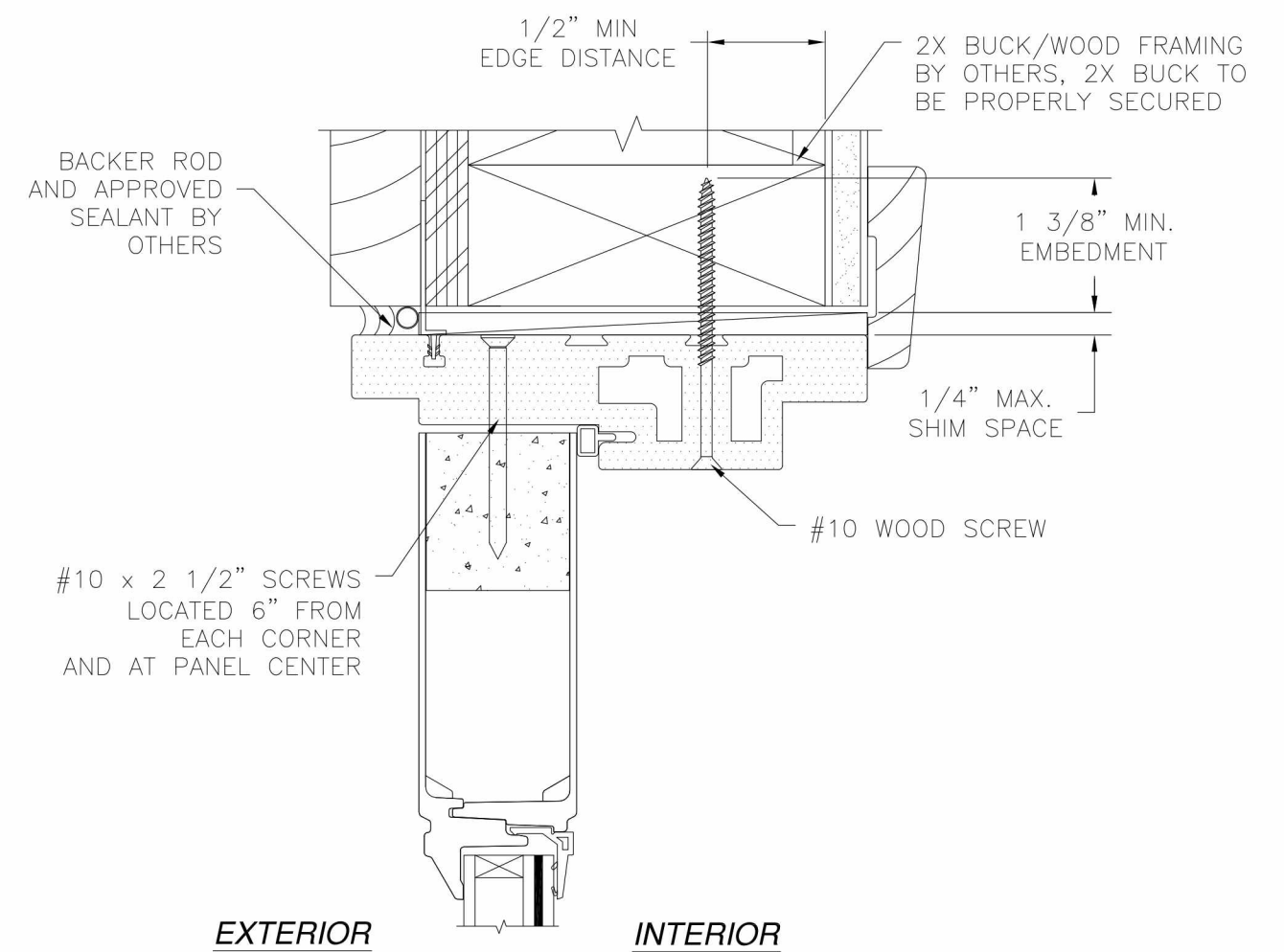
NAN YA PLASTICS CORP. USA
8989 NORTH LOOP EAST
HOUSTON, TX 77029

SERIES SLPS 8'0" HEIGHT OS PATIO DOOR
FIBERGLASS SIDE HINGED DOOR W/ SIDELITES
INSTALLATION DETAILS

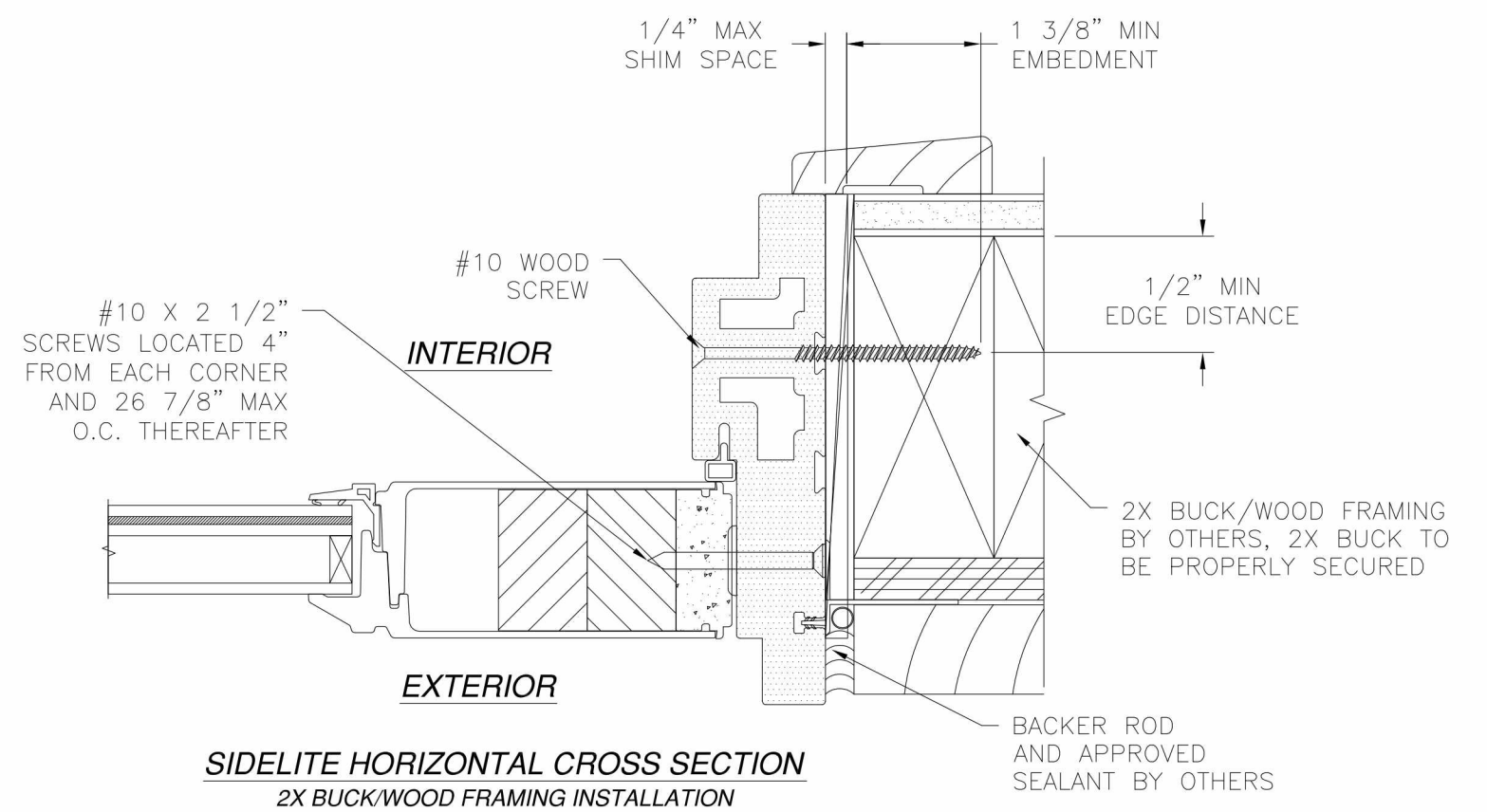
DRAWN: V.L.	DWG NO. 08-02135	REV B
SCALE NTS	DATE 07/11/13	SHEET 8 OF 9



REVISIONS			
REV	DESCRIPTION	DATE	APPROVED
A	ADDED EDGE DISTANCES	11/05/14	R.L.
B	REVISED SIDELITE INSTALLATION DETAILS	05/12/15	R.L.



SIDELITE VERTICAL CROSS SECTION
2X BUCK/WOOD FRAMING INSTALLATION



SIDELITE HORIZONTAL CROSS SECTION
2X BUCK/WOOD FRAMING INSTALLATION

- NOTES:
1. INTERIOR AND EXTERIOR FINISHES, BY OTHERS, NOT SHOWN FOR CLARITY.
 2. PERIMETER AND JOINT SEALANT BY OTHERS TO BE DESIGNED IN ACCORDANCE WITH ASTM E2112

SIGNED: 05/12/2015

NAN YA PLASTICS CORP. USA
8989 NORTH LOOP EAST
HOUSTON, TX 77029

SERIES SLPS 8'0" HEIGHT OS PATIO DOOR
FIBERGLASS SIDE HINGED DOOR W/ SIDELITES
INSTALLATION DETAILS

DRAWN: V.L.	DWG NO. 08-02135	REV B
SCALE NTS	DATE 07/11/13	SHEET 9 OF 9

