

REVISIONS			
REV	DESCRIPTION	DATE	APPROVED
A	ADDED EDGE DISTANCES	11/05/14	R.L.
B	REVISED SIDELITE INSTALLATION DETAILS	05/14/15	R.L.

NOTES:

1. THE PRODUCT SHOWN HEREIN IS DESIGNED AND MANUFACTURED TO COMPLY WITH REQUIREMENTS OF THE FLORIDA BUILDING CODE.
2. WOOD FRAMING AND MASONRY OPENING TO BE DESIGNED AND ANCHORED TO PROPERLY TRANSFER ALL LOADS TO STRUCTURE. FRAMING AND MASONRY OPENING IS THE RESPONSIBILITY OF THE ARCHITECT OR ENGINEER OF RECORD.
3. 1X BUCK OVER MASONRY/CONCRETE IS OPTIONAL.
4. WHERE SHIM OR BUCK THICKNESS IS LESS THAN 1-1/2" WINDOW UNITS MUST BE ANCHORED THROUGH THE FRAME IN ACCORDANCE WITH MANUFACTURER'S PUBLISHED INSTALLATION INSTRUCTIONS. ANCHORS SHALL BE SECURELY FASTENED DIRECTLY INTO MASONRY, CONCRETE OR OTHER STRUCTURAL SUBSTRATE MATERIAL.
5. WHERE WOOD BUCK THICKNESS IS 1-1/2" OR GREATER, BUCK SHALL BE SECURELY FASTENED TO MASONRY, CONCRETE OR OTHER STRUCTURAL SUBSTRATE. WINDOW UNITS MAY BE ANCHORED THROUGH FRAME TO SECURED WOOD BUCK IN ACCORDANCE WITH MANUFACTURER'S PUBLISHED INSTALLATION INSTRUCTIONS.
6. WHERE 1X BUCK IS NOT USED DISSIMILAR MATERIALS MUST BE SEPARATED WITH APPROVED COATING OR MEMBRANE. SELECTION OF COATING OR MEMBRANE IS THE RESPONSIBILITY OF THE ARCHITECT OR ENGINEER OF RECORD.
7. BUCKS SHALL EXTEND BEYOND WINDOW INTERIOR FACE SO THAT FULL FRAME SUPPORT IS PROVIDED.
8. SHIMS SHALL BE LOCATED, APPLIED AND MADE FROM MATERIALS AND THICKNESS CAPABLE OF SUSTAINING APPLICABLE LOADS.
9. WIND LOAD DURATION FACTOR Cd=1.6 WAS USED FOR WOOD ANCHOR CALCULATIONS.
10. FRAME JAMB AND HEAD MATERIAL: CO-EXTRUDED PVC FOAM.
11. FRAME SILL MATERIAL: CO-EXTRUDED PVC FOAM WITH ALUMINUM CLADDING.
12. DOOR PANEL SIDELITE MATERIAL: FIBERGLASS SKIN WITH PVC FOAM TOP AND BOTTOM RAILS, AND PVC FOAM VERTICAL STILES WITH PINE REINFORCEMENTS AND POLYURETHANE FOAM CORE.
13. UNITS MUST BE GLAZED PER ASTM E1300-04. SEE SHEET 5 FOR GLAZING DETAIL.
14. APPROVED IMPACT PROTECTIVE SYSTEM IS NOT REQUIRED FOR THIS PRODUCT IN WIND BORNE DEBRIS REGIONS.
15. FOR ANCHORING INTO WOOD FRAMING OR 2X BUCK USE #10 WOOD SCREWS WITH SUFFICIENT LENGTH TO ACHIEVE A 1 3/8" MINIMUM EMBEDMENT INTO SUBSTRATE. LOCATE ANCHORS AS SHOWN IN ELEVATIONS AND INSTALLATION DETAILS.

16. FOR ANCHORING INTO MASONRY/CONCRETE USE 3/16" TAPCONS WITH SUFFICIENT LENGTH TO ACHIEVE A 1 1/4" MINIMUM EMBEDMENT INTO SUBSTRATE WITH 2 1/2" MINIMUM EDGE DISTANCE. LOCATE ANCHORS AS SHOWN IN ELEVATIONS AND INSTALLATION DETAILS.
17. ALL FASTENERS TO BE CORROSION RESISTANT.
18. INSTALLATION ANCHORS SHALL BE INSTALLED IN ACCORDANCE WITH ANCHOR MANUFACTURER'S INSTALLATION INSTRUCTIONS AND ANCHORS SHALL NOT BE USED IN SUBSTRATES WITH STRENGTHS LESS THAN THE MINIMUM STRENGTH SPECIFIED BELOW:
  - A. WOOD - MINIMUM SPECIFIC GRAVITY OF G=0.42
  - B. CONCRETE - MINIMUM COMPRESSIVE STRENGTH OF 3,192 PSI.
  - C. MASONRY - STRENGTH CONFORMANCE TO ASTM C-90, GRADE N, TYPE 1 (OR GREATER).
19. HINGE LOCATION: 9", 40 7/8" AND 72 1/2" FROM BOTTOM.
20. MAX PANEL SIZE: 35 1/4" X 80 5/16"

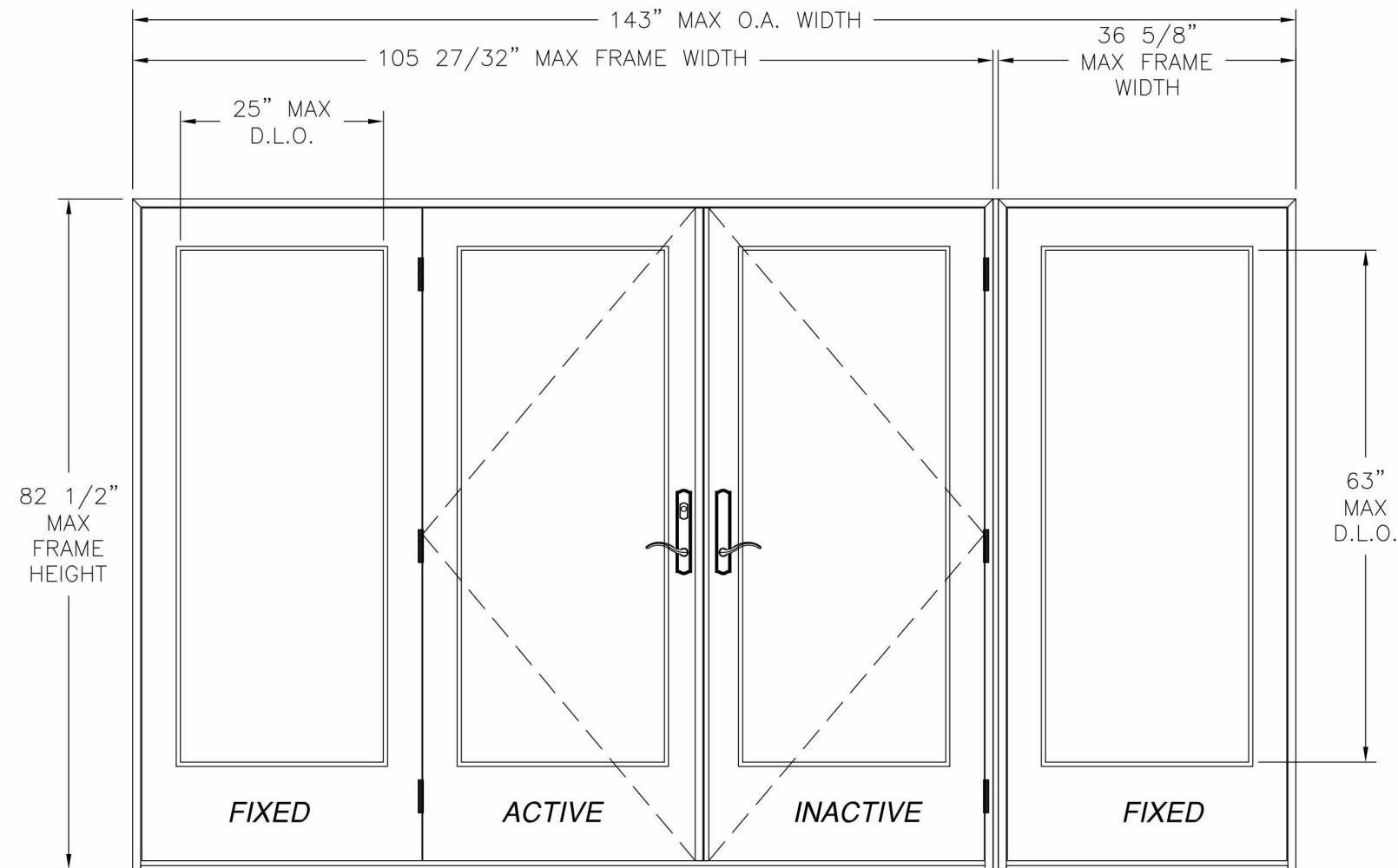
SIGNED: 02/02/2016

TABLE OF CONTENTS	
SHEET NO.	DESCRIPTION
1	NOTES
2 - 3	ELEVATIONS
4 - 5	ANCHORING LAYOUTS
6 - 10	INSTALLATION DETAILS

<b>NAN YA PLASTICS CORP. USA</b> 8989 NORTH LOOP EAST HOUSTON, TX 77029		
OUT-SWING ENTRANCE DOOR W/ & W/O SIDELITES FIBERGLASS CLAD ELEVATION AND NOTES		
DRAWN: N.G.	DWG NO. 08-02313	REV B
SCALE NTS	DATE 04/09/14	SHEET 1 OF 10



REVISIONS			
REV	DESCRIPTION	DATE	APPROVED
A	ADDED EDGE DISTANCES	11/05/14	R.L.
B	REVISED SIDELITE INSTALLATION DETAILS	05/14/15	R.L.



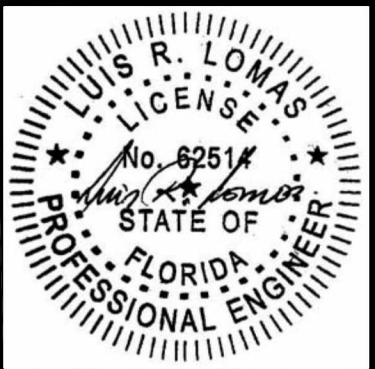
**OUT-SWING ENTRANCE DOUBLE DOOR W/ SIDELITES**  
**FIBERGLASS CLAD**  
 EXTERIOR VIEW

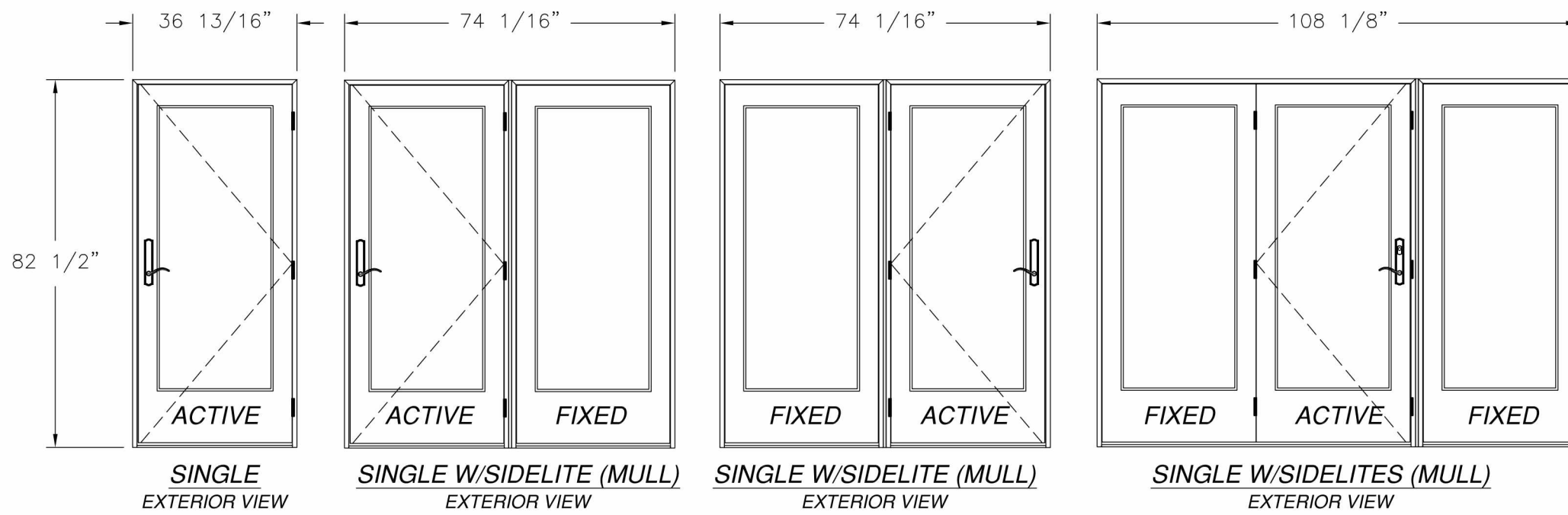
DESIGN PRESSURE RATING	IMPACT RATING
±50.0PSF	LARGE AND SMALL MISSILE IMPACT

MISSILE LEVEL D, WIND ZONE 4

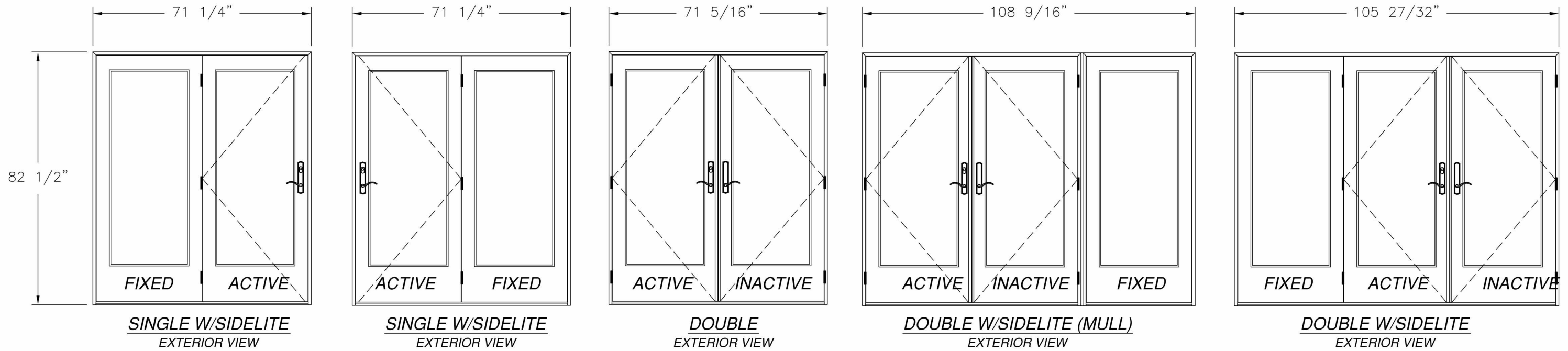
SIGNED: 02/02/2016

NAN YA PLASTICS CORP. USA 8989 NORTH LOOP EAST HOUSTON, TX 77029		
OUT-SWING ENTRANCE DOOR W/ & W/O SIDELITES FIBERGLASS CLAD ELEVATION		
DRAWN: N.G.	DWG NO. 08-02313	REV B
SCALE NTS	DATE 04/09/14	SHEET 2 OF 10





REVISIONS			
REV	DESCRIPTION	DATE	APPROVED
A	ADDED EDGE DISTANCES	11/05/14	R.L.
B	REVISED SIDELITE INSTALLATION DETAILS	05/14/15	R.L.

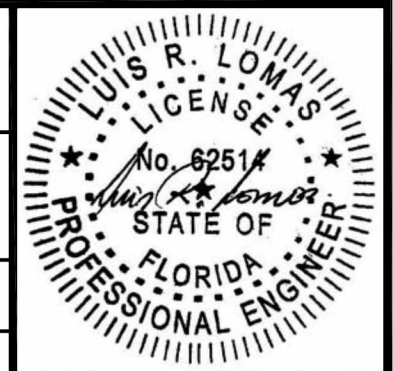


SIGNED: 02/02/2016

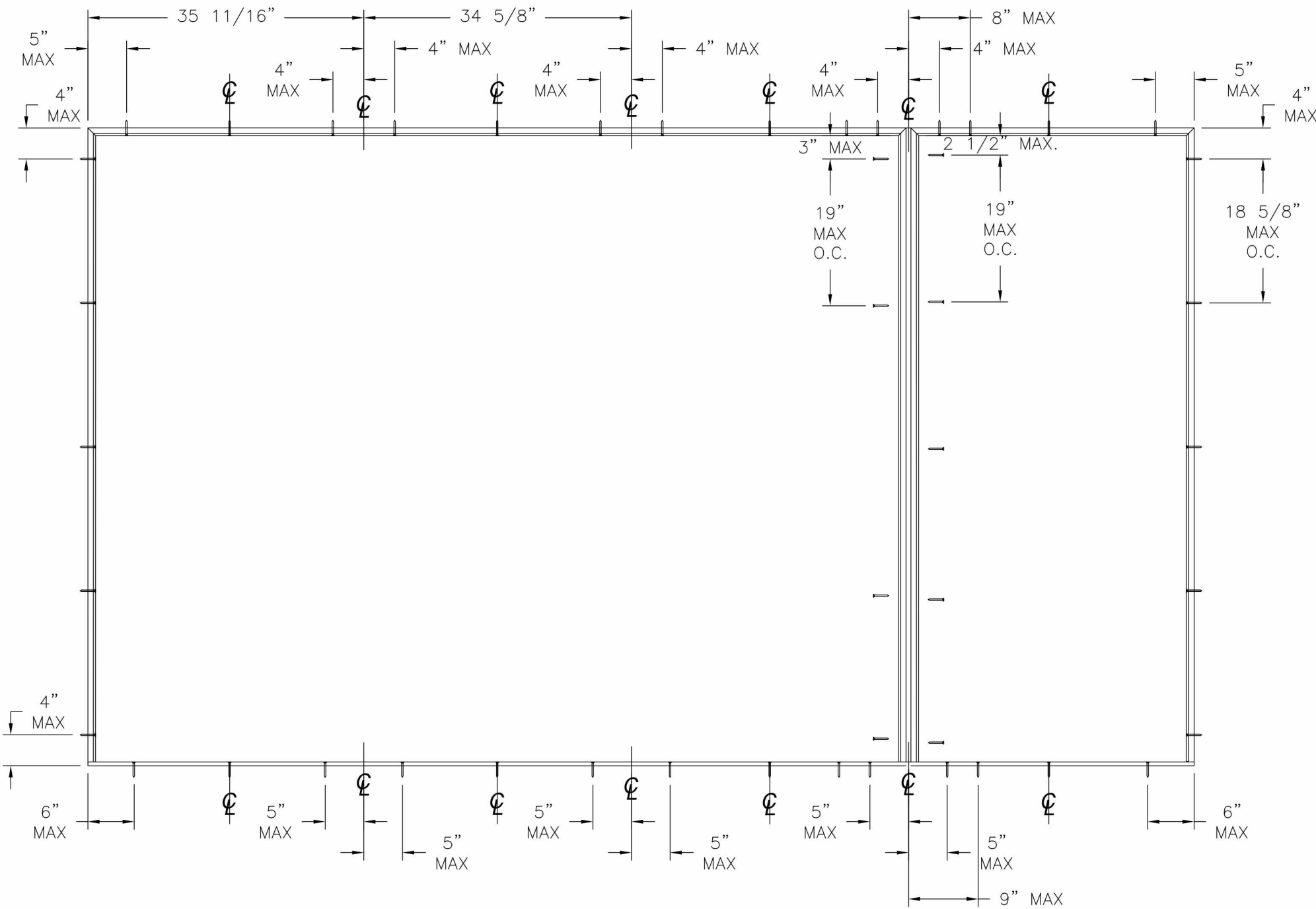
**NAN YA PLASTICS CORP. USA**  
 8989 NORTH LOOP EAST  
 HOUSTON, TX 77029

OUT-SWING ENTRANCE DOOR W/ & W/O SIDELITES  
 FIBERGLASS CLAD  
 APPROVED ELEVATIONS

DRAWN: N.G.	DWG NO. 08-02313	REV B
SCALE NTS	DATE 04/09/14	SHEET 3 OF 10



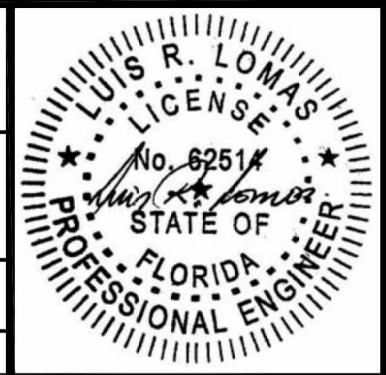
REVISIONS			
REV	DESCRIPTION	DATE	APPROVED
A	ADDED EDGE DISTANCES	11/05/14	R.L.
B	REVISED SIDELITE INSTALLATION DETAILS	05/14/15	R.L.



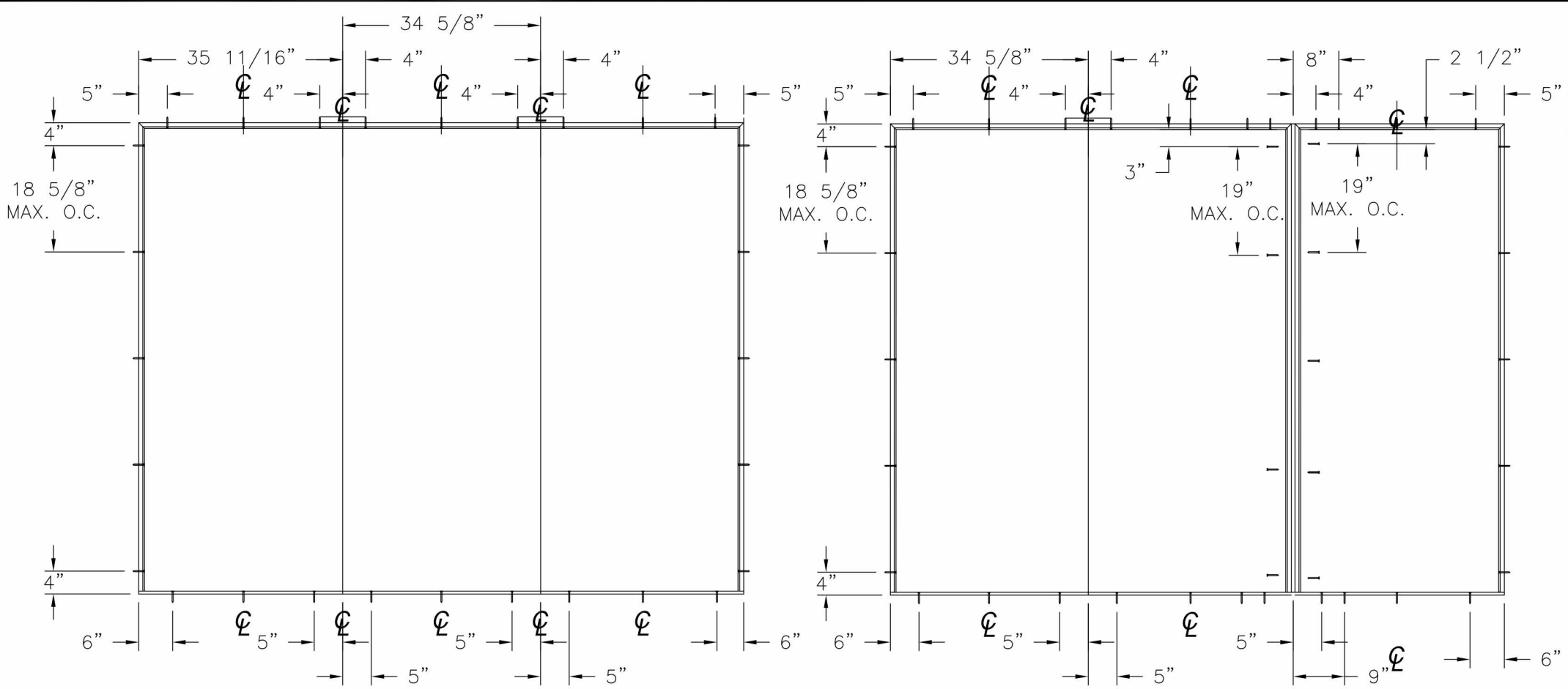
ANCHORING LAYOUT

SIGNED: 02/02/2016

<p>NAN YA PLASTICS CORP. USA          8989 NORTH LOOP EAST          HOUSTON, TX 77029</p>		
<p>OUT-SWING ENTRANCE DOOR W/ &amp; W/O SIDELITES          FIBERGLASS CLAD          ANCHORING LAYOUT</p>		
<p>DRAWN: N.G.</p>	<p>DWG NO. 08-02313</p>	<p>REV B</p>
<p>SCALE NTS</p>	<p>DATE 04/09/14</p>	<p>SHEET 4 OF 10</p>



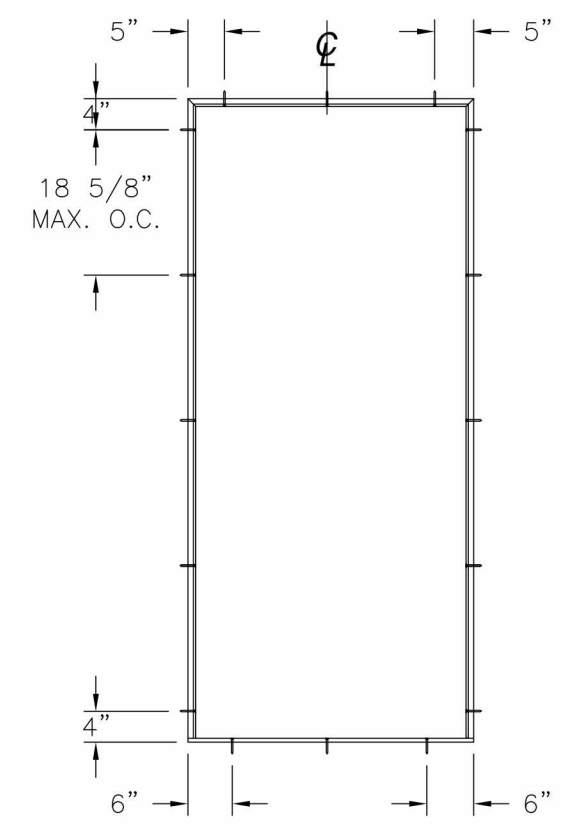




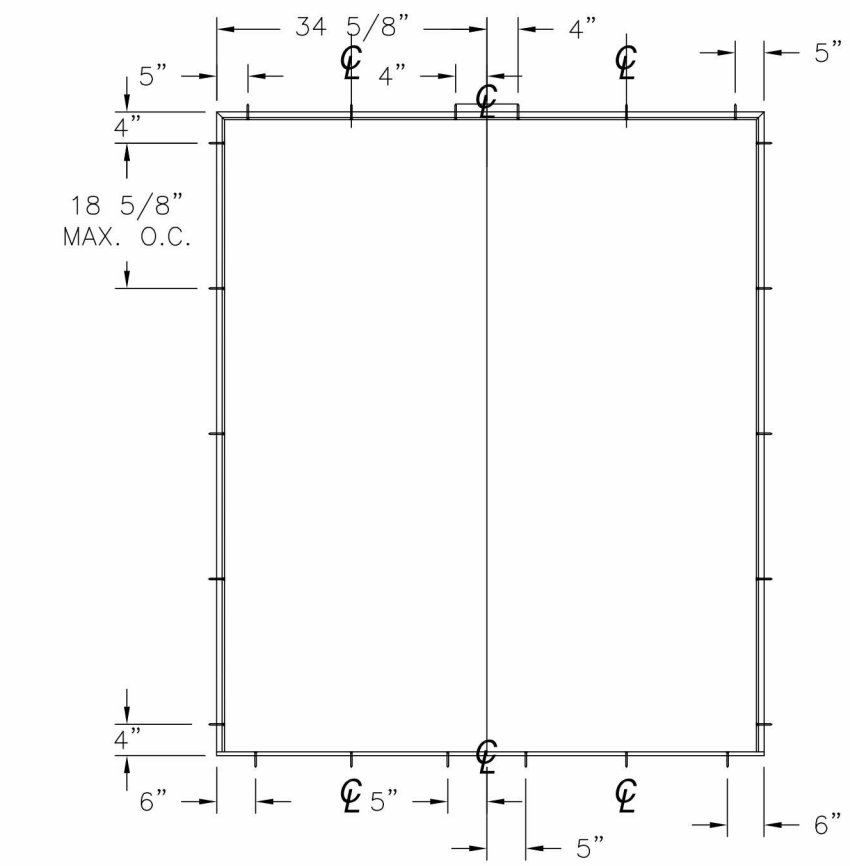
ANCHORING LAYOUT FOR OXO, XXO AND OXX

ANCHORING LAYOUT FOR OXO, XXO AND OXX (MULL)

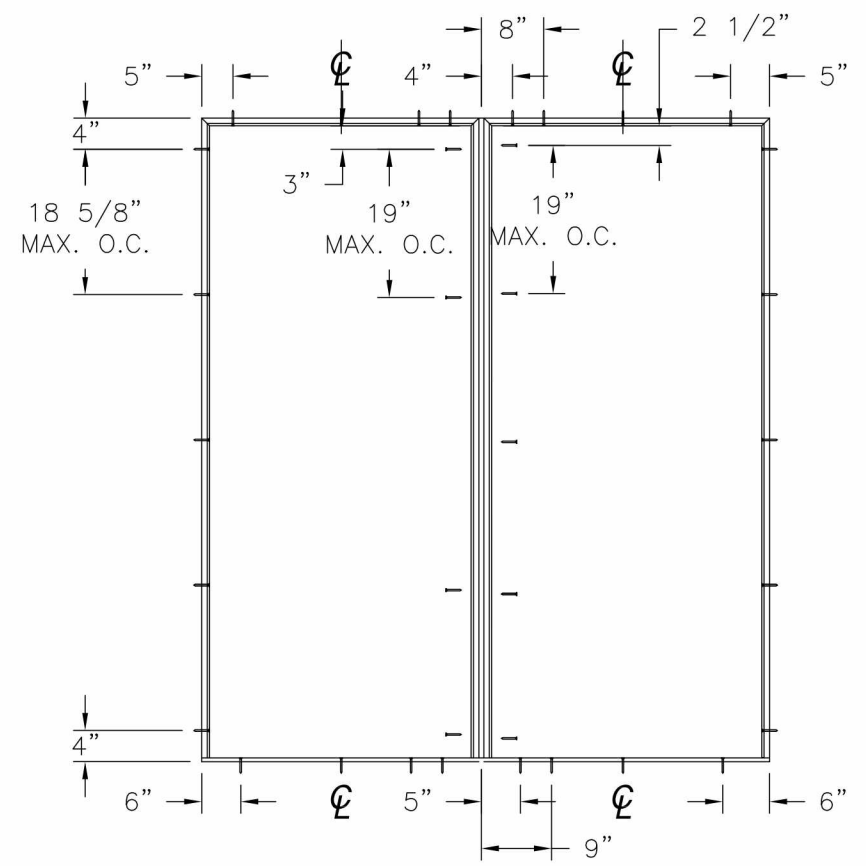
REVISIONS			
REV	DESCRIPTION	DATE	APPROVED
A	ADDED EDGE DISTANCES	11/05/14	R.L.
B	REVISED SIDELITE INSTALLATION DETAILS	05/14/15	R.L.



ANCHORING LAYOUT FOR X



ANCHORING LAYOUT FOR XX, OX AND XO



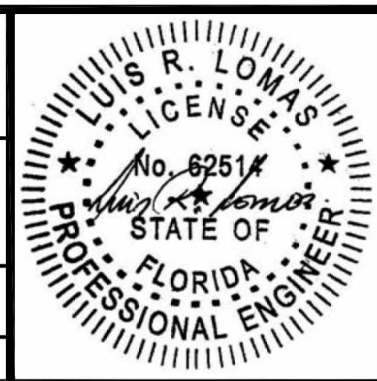
ANCHORING LAYOUT FOR OX AND XO (MULL)

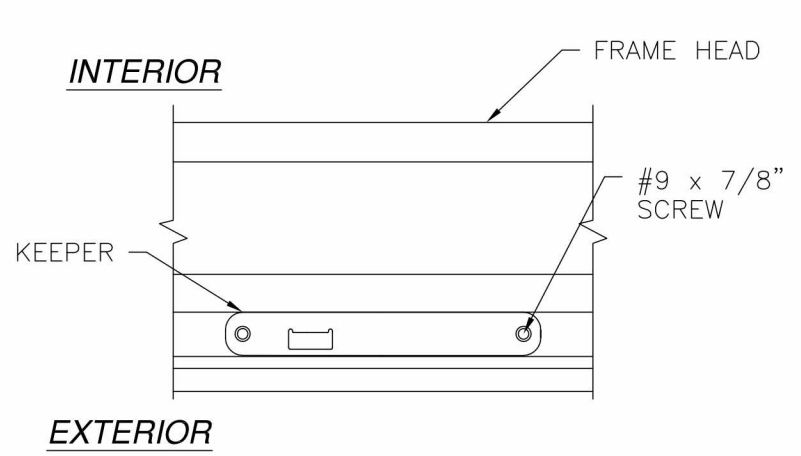
SIGNED: 02/02/2016

NAN YA PLASTICS CORP. USA  
 8989 NORTH LOOP EAST  
 HOUSTON, TX 77029

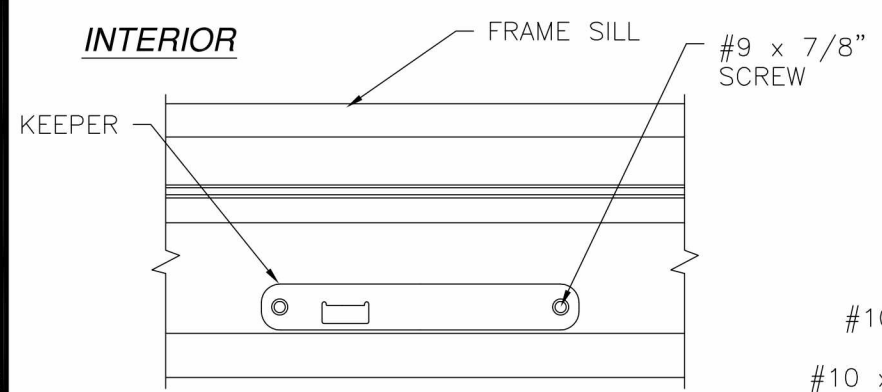
OUT-SWING ENTRANCE DOOR W/ & W/O SIDELITES  
 FIBERGLASS CLAD  
 ANCHORING LAYOUTS

DRAWN: N.G.	DWG NO. 08-02313	REV B
SCALE NTS	DATE 04/09/14	SHEET 5 OF 10

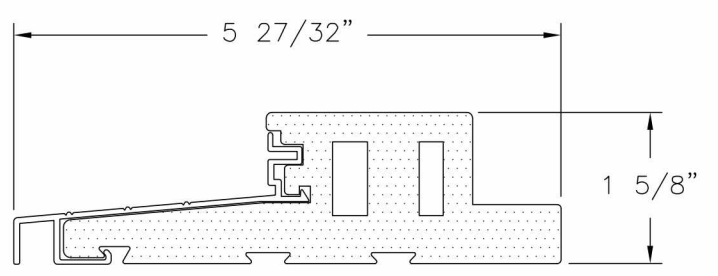




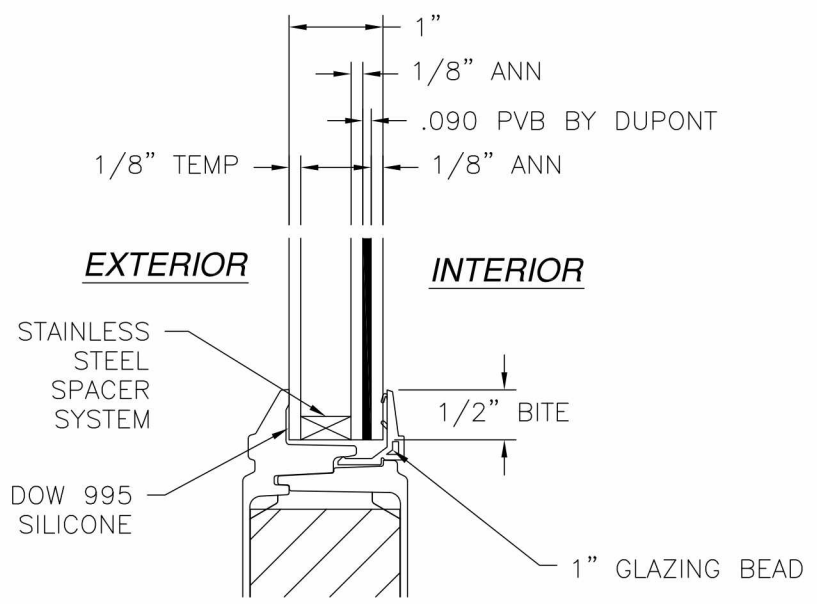
**HEAD KEEPER DETAIL**



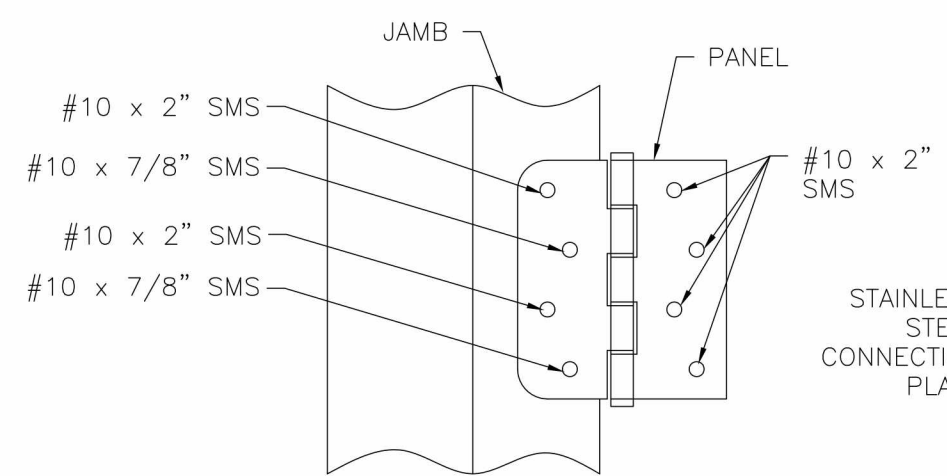
**SILL KEEPER DETAIL**



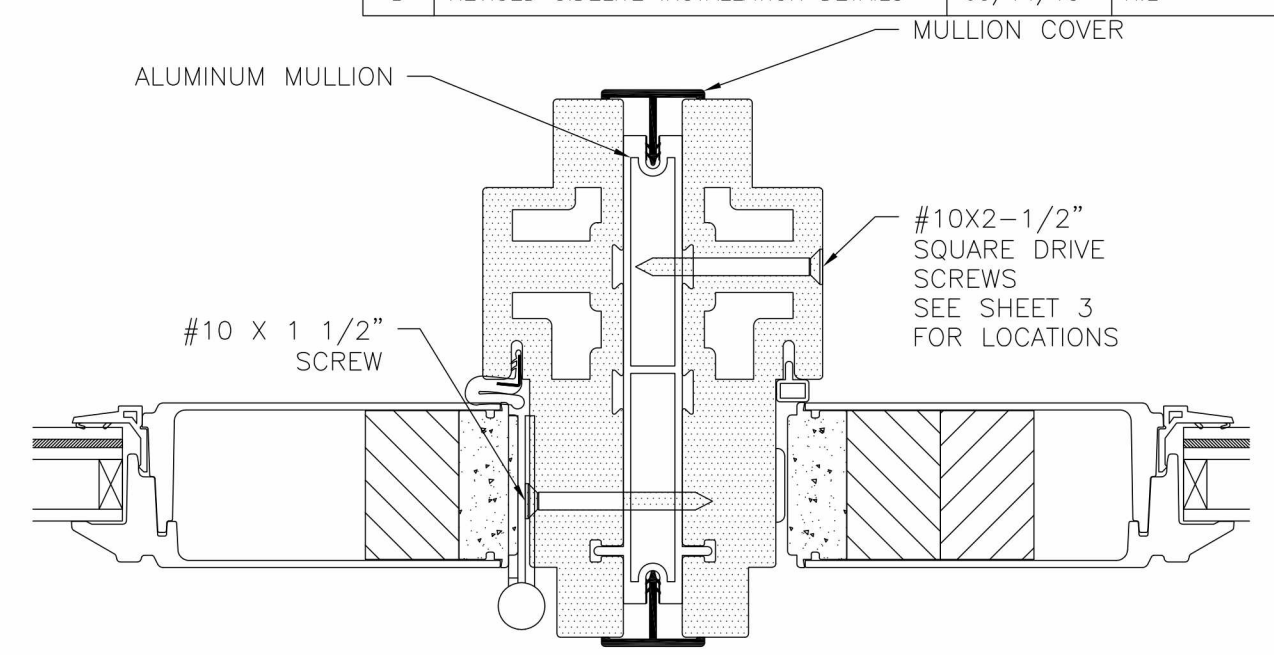
**OUTSWING DOOR SILL DETAIL**



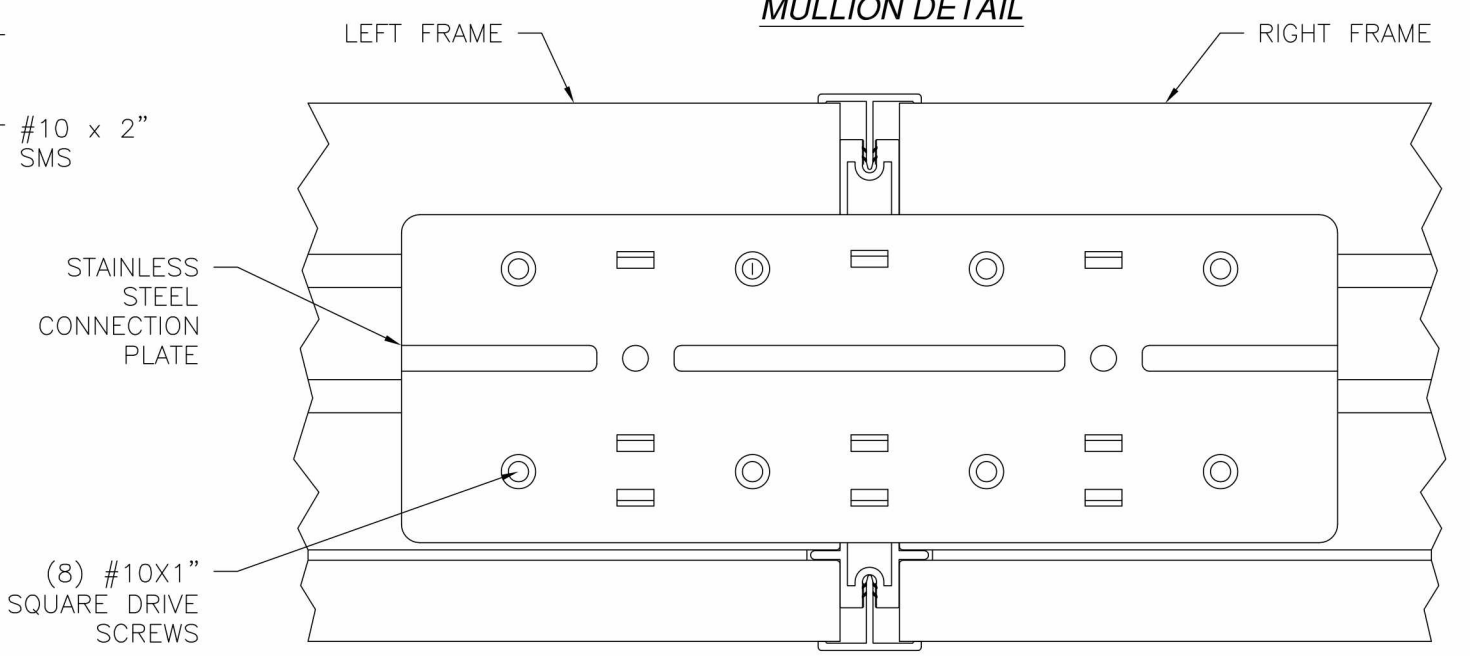
**GLAZING DETAIL**



**HINGE INSTALLATION DETAIL**



**MULLION DETAIL**



**FRAME CONNECTION DETAIL**

REVISIONS			
REV	DESCRIPTION	DATE	APPROVED
A	ADDED EDGE DISTANCES	11/05/14	R.L.
B	REVISED SIDELITE INSTALLATION DETAILS	05/14/15	R.L.

HARDWARE SCHEDULE	
A.	(3) 4" BUTT HINGE
B.	2 POINT LOCK SYSTEM
C.	RIGID PVC ASTRAGAL WITH ALUMINUM REINFORCEMENT

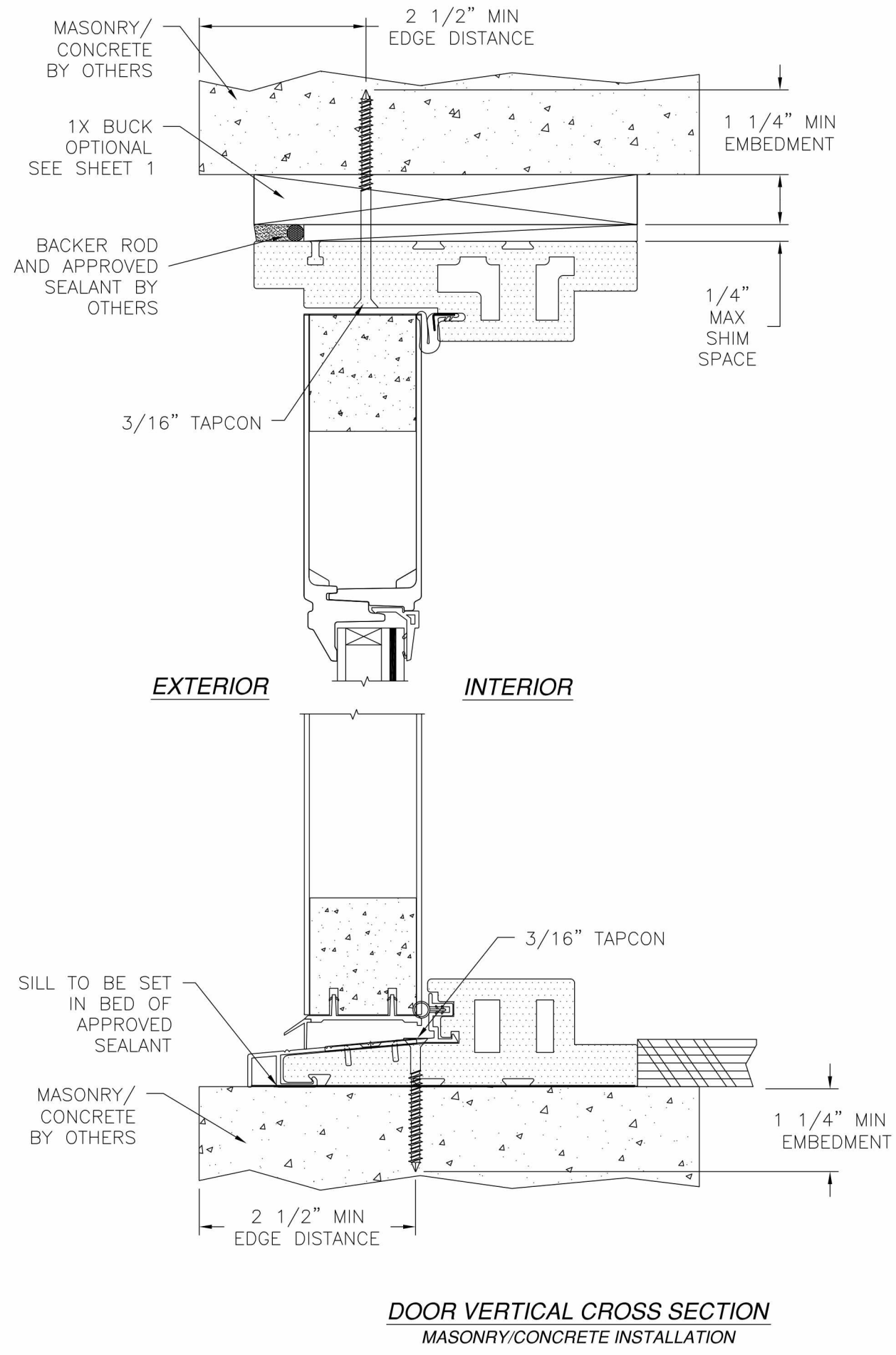
**NAN YA PLASTICS CORP. USA**  
 8989 NORTH LOOP EAST  
 HOUSTON, TX 77029

OUT-SWING ENTRANCE DOOR W/ & W/O SIDELITES  
 FIBERGLASS CLAD  
 INSTALLATION DETAILS

DRAWN: N.G.	DWG NO. 08-02313	REV B
SCALE NTS	DATE 04/09/14	SHEET 6 OF 10

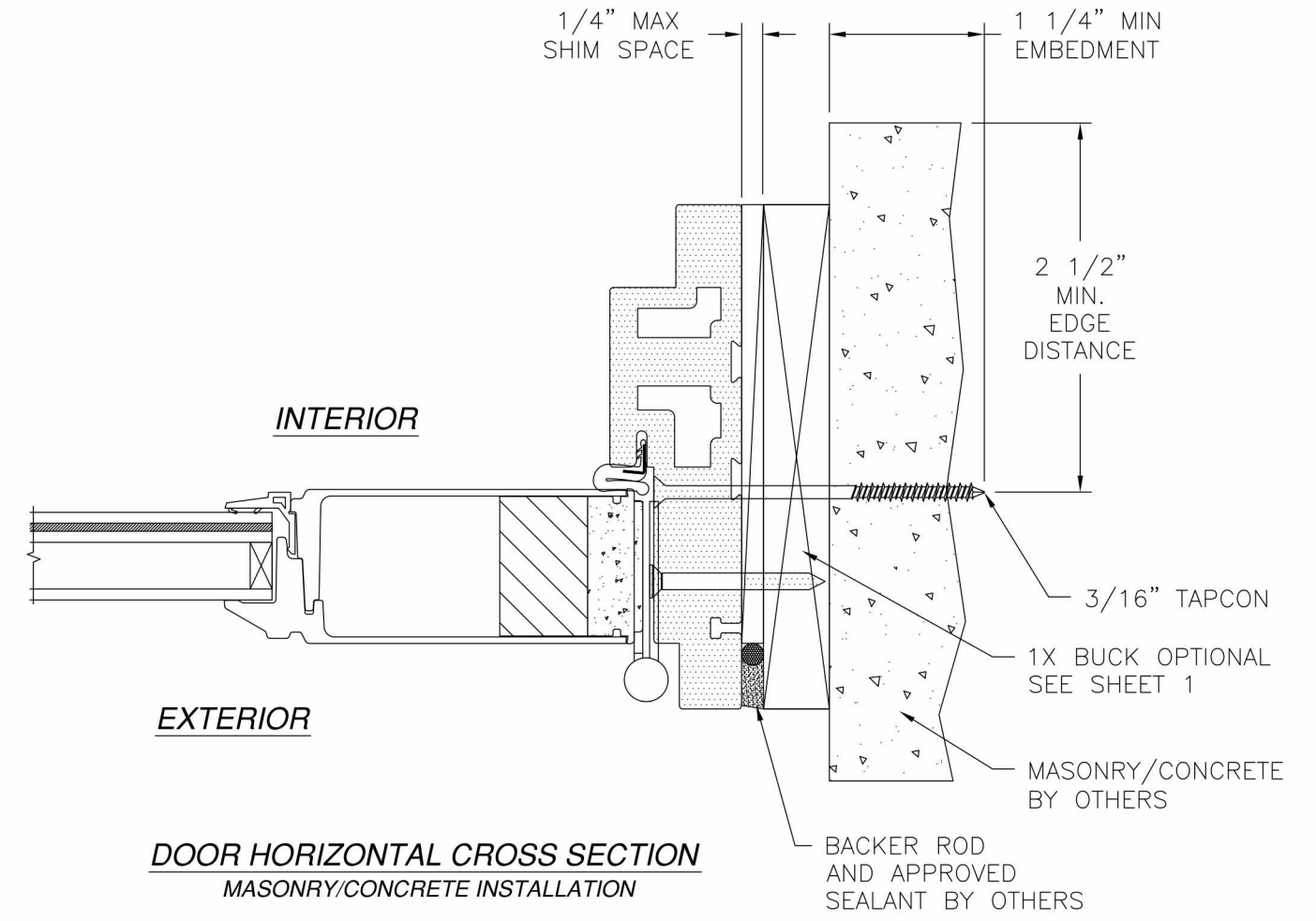
SIGNED: 02/02/2016





**DOOR VERTICAL CROSS SECTION**  
MASONRY/CONCRETE INSTALLATION

REVISIONS			
REV	DESCRIPTION	DATE	APPROVED
A	ADDED EDGE DISTANCES	11/05/14	R.L.
B	REVISED SIDELITE INSTALLATION DETAILS	05/14/15	R.L.



**DOOR HORIZONTAL CROSS SECTION**  
MASONRY/CONCRETE INSTALLATION

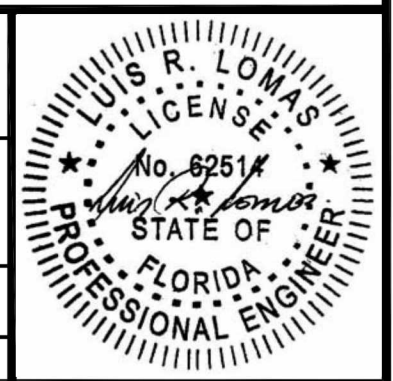
- NOTES:**
1. INTERIOR AND EXTERIOR FINISHES, BY OTHERS, NOT SHOWN FOR CLARITY.
  2. PERIMETER AND JOINT SEALANT BY OTHERS TO BE DESIGNED IN ACCORDANCE WITH ASTM E2112

SIGNED: 02/02/2016

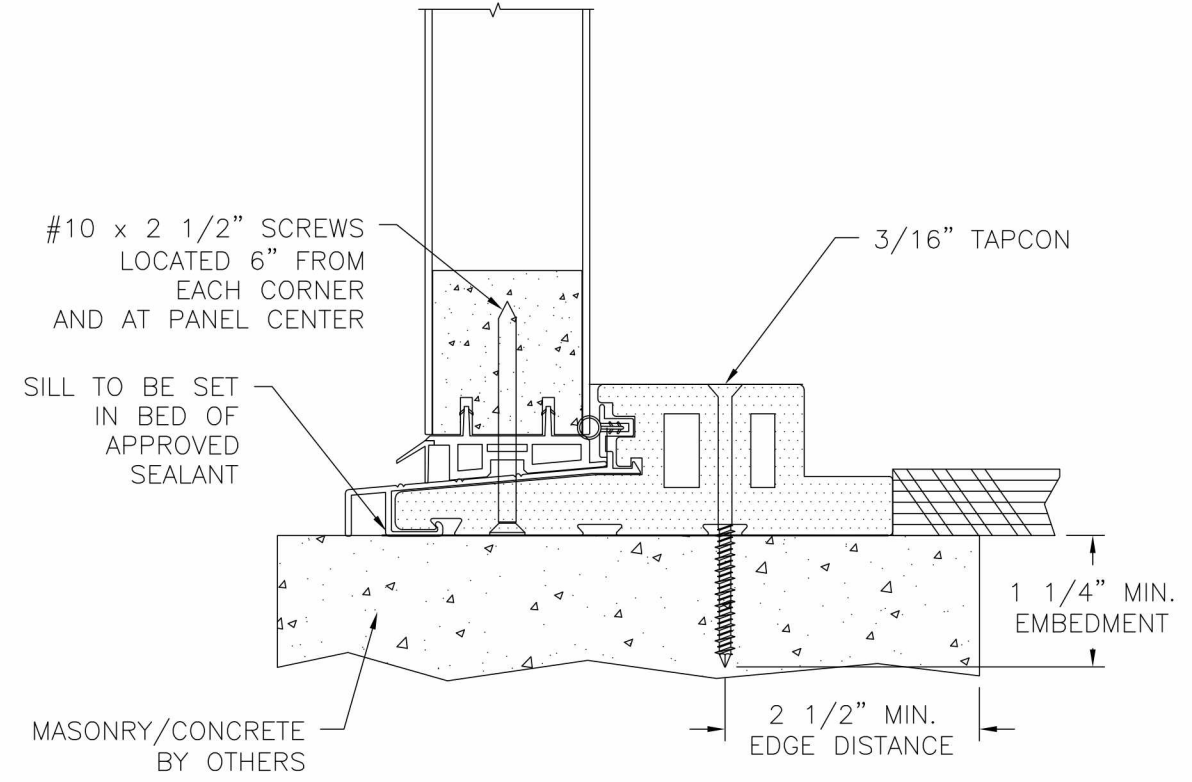
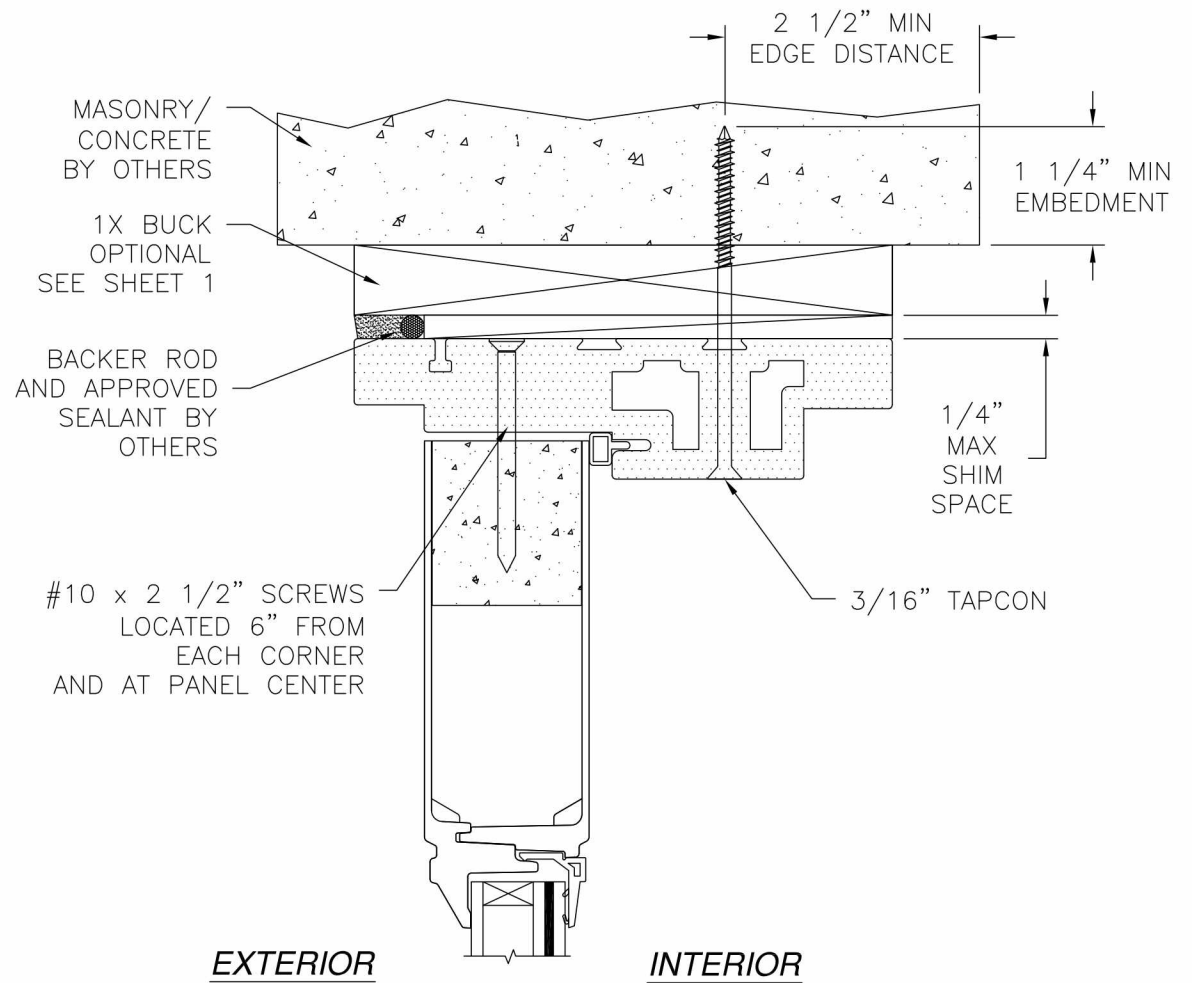
**NAN YA PLASTICS CORP. USA**  
8989 NORTH LOOP EAST  
HOUSTON, TX 77029

OUT-SWING ENTRANCE DOOR W/ & W/O SIDELITES  
FIBERGLASS CLAD  
INSTALLATION DETAILS

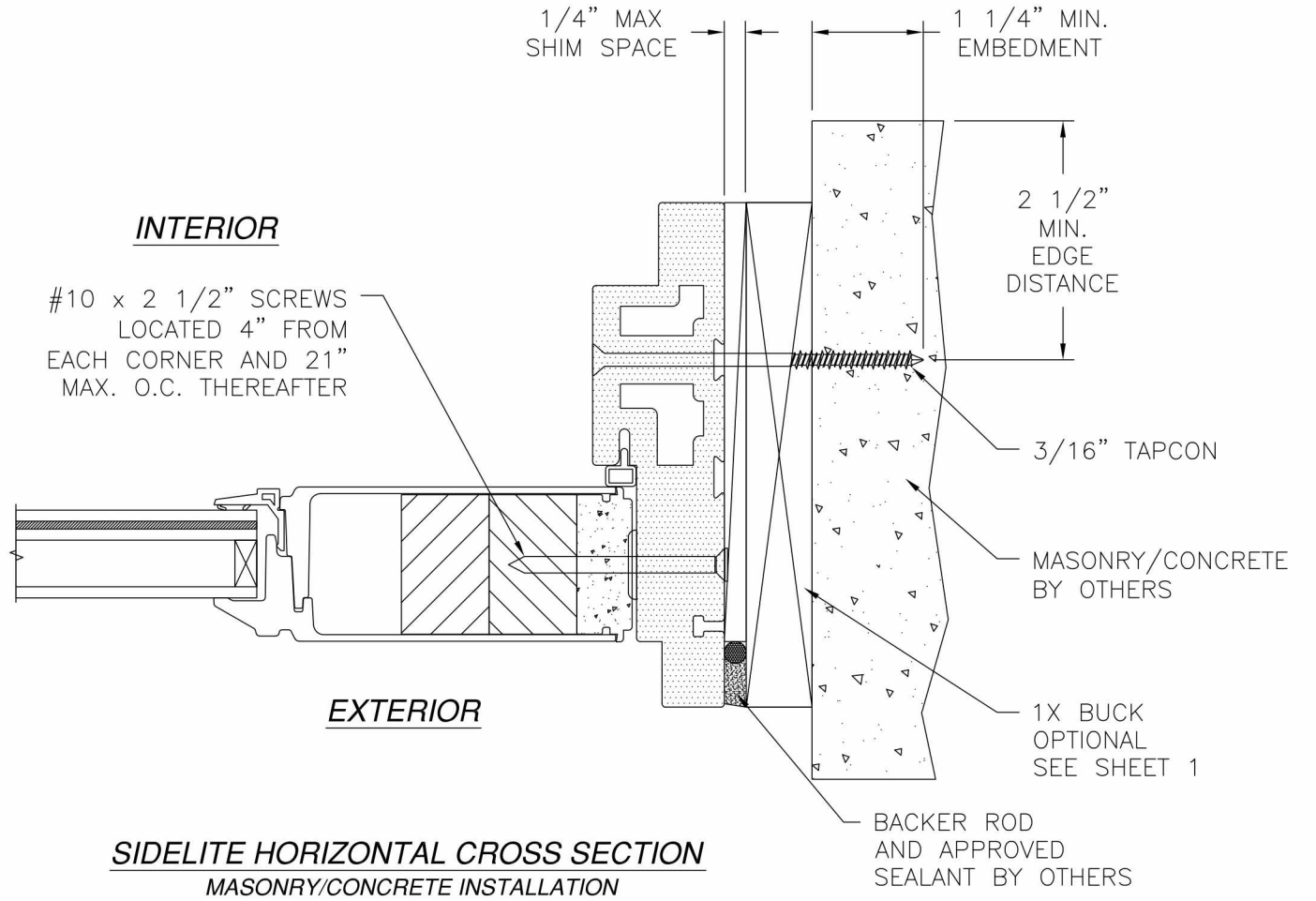
DRAWN: N.G.	DWG NO. 08-02313	REV B
SCALE NTS	DATE 04/09/14	SHEET 7 OF 10



REVISIONS			
REV	DESCRIPTION	DATE	APPROVED
A	ADDED EDGE DISTANCES	11/05/14	R.L.
B	REVISED SIDELITE INSTALLATION DETAILS	05/14/15	R.L.



**SIDELITE VERTICAL CROSS SECTION**  
MASONRY/CONCRETE INSTALLATION



**SIDELITE HORIZONTAL CROSS SECTION**  
MASONRY/CONCRETE INSTALLATION

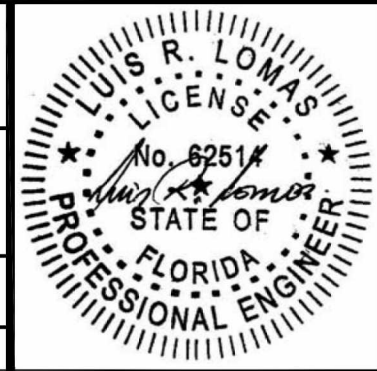
- NOTES:**
1. INTERIOR AND EXTERIOR FINISHES, BY OTHERS, NOT SHOWN FOR CLARITY.
  2. PERIMETER AND JOINT SEALANT BY OTHERS TO BE DESIGNED IN ACCORDANCE WITH ASTM E2112

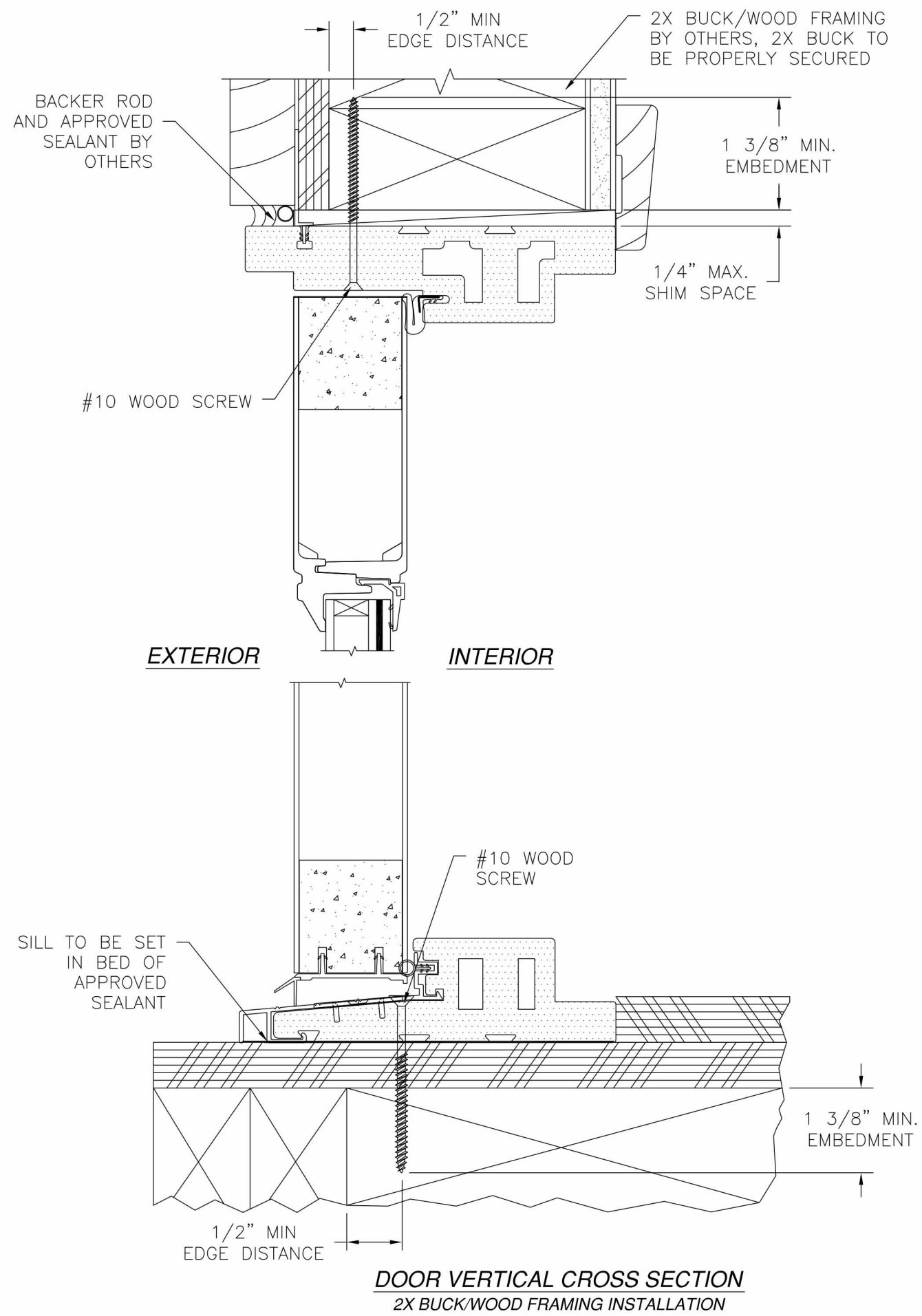
SIGNED: 02/02/2016

**NAN YA PLASTICS CORP. USA**  
8989 NORTH LOOP EAST  
HOUSTON, TX 77029

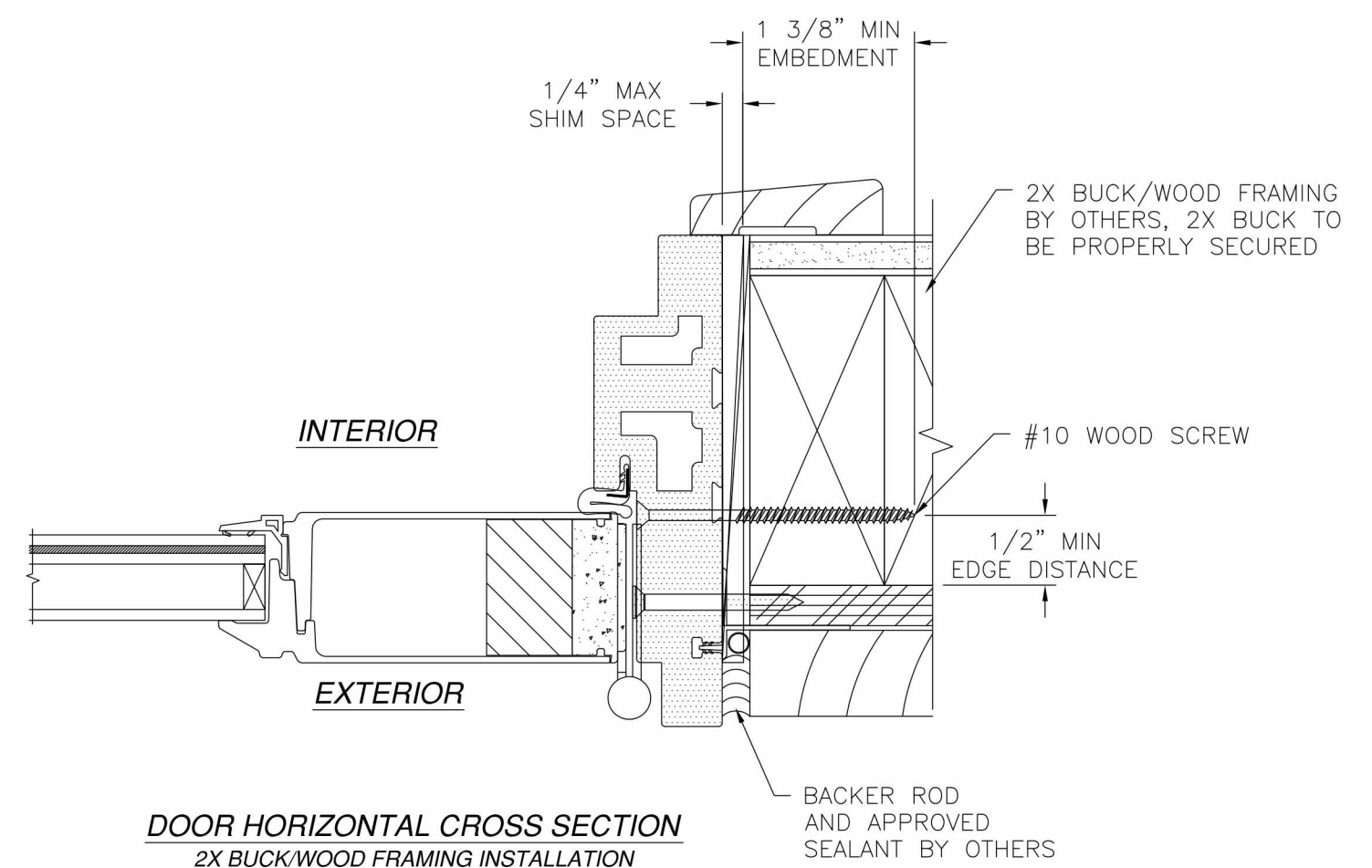
OUT-SWING ENTRANCE DOOR W/ & W/O SIDELITES  
FIBERGLASS CLAD  
INSTALLATION DETAILS

DRAWN: N.G.	DWG NO. 08-02313	REV B
SCALE NTS	DATE 04/09/14	SHEET 8 OF 10





REVISIONS			
REV	DESCRIPTION	DATE	APPROVED
A	ADDED EDGE DISTANCES	11/05/14	R.L.
B	REVISED SIDELITE INSTALLATION DETAILS	05/14/15	R.L.



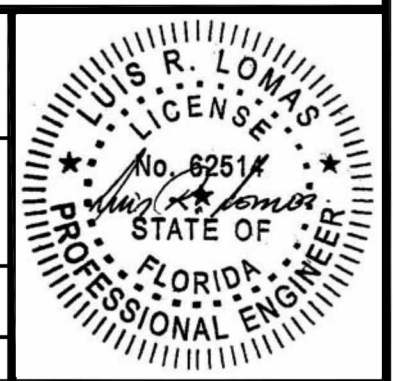
NOTES:  
 1. INTERIOR AND EXTERIOR FINISHES, BY OTHERS,  
 NOT SHOWN FOR CLARITY.  
 2. PERIMETER AND JOINT SEALANT BY OTHERS TO BE  
 DESIGNED IN ACCORDANCE WITH ASTM E2112

SIGNED: 02/02/2016

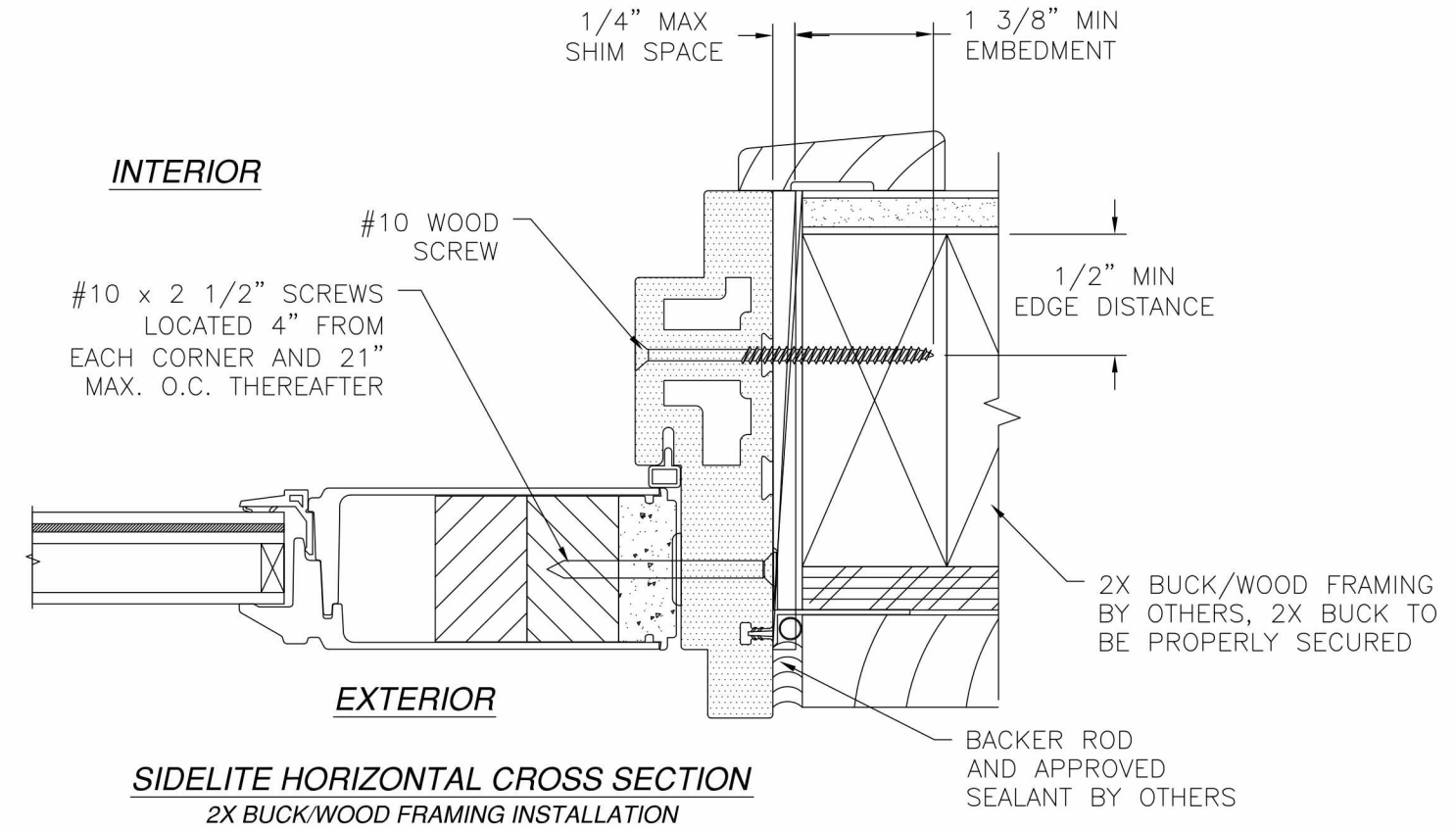
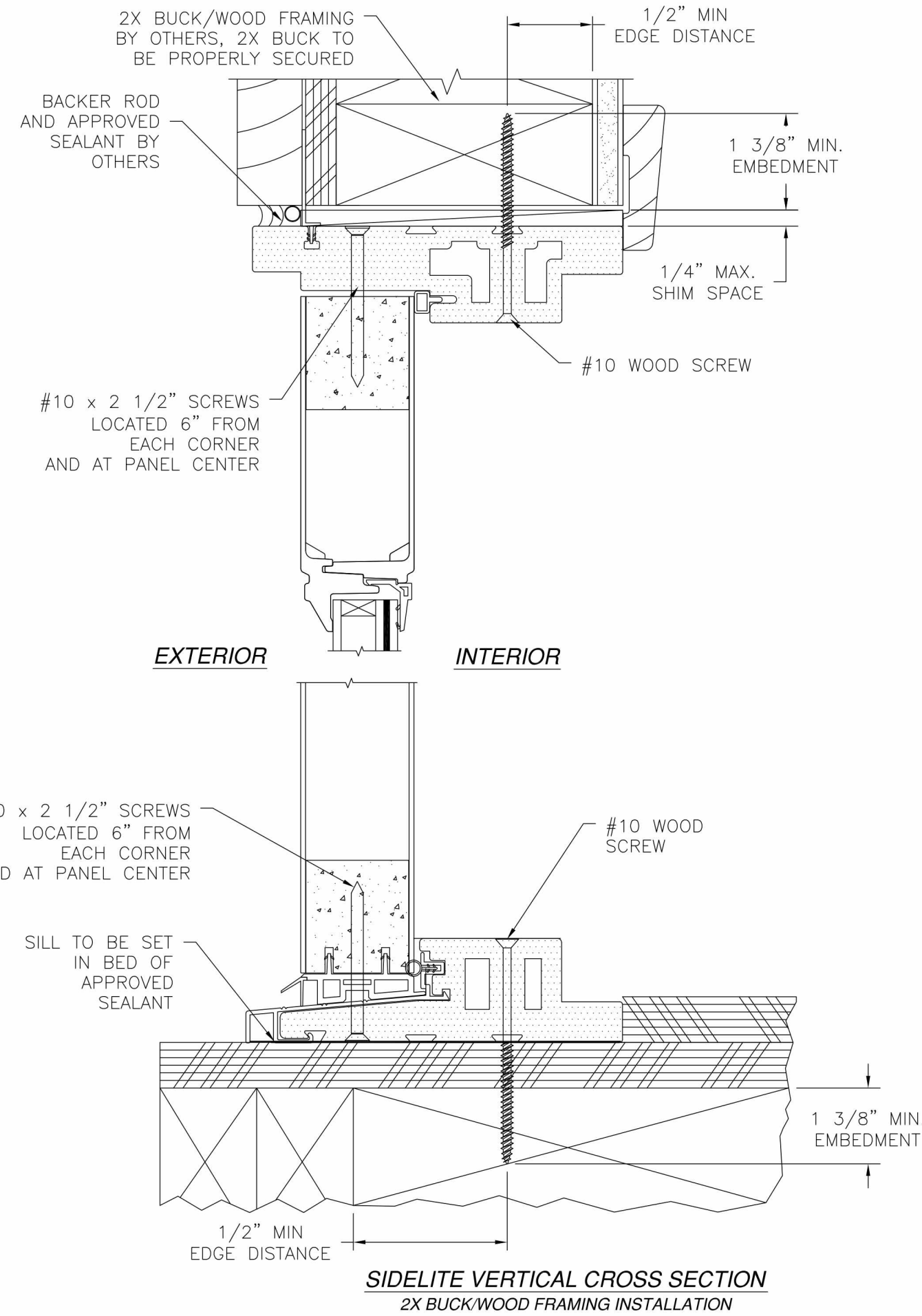
NAN YA PLASTICS CORP. USA  
 8989 NORTH LOOP EAST  
 HOUSTON, TX 77029

OUT-SWING ENTRANCE DOOR W/ & W/O SIDELITES  
 FIBERGLASS CLAD  
 INSTALLATION DETAILS

DRAWN: N.G.	DWG NO. 08-02313	REV B
SCALE NTS	DATE 04/09/14	SHEET 9 OF 10



REVISIONS			
REV	DESCRIPTION	DATE	APPROVED
A	ADDED EDGE DISTANCES	11/05/14	R.L.
B	REVISED SIDELITE INSTALLATION DETAILS	05/14/15	R.L.



- NOTES:**
1. INTERIOR AND EXTERIOR FINISHES, BY OTHERS, NOT SHOWN FOR CLARITY.
  2. PERIMETER AND JOINT SEALANT BY OTHERS TO BE DESIGNED IN ACCORDANCE WITH ASTM E2112

SIGNED: 02/02/2016

**NAN YA PLASTICS CORP. USA**  
 8989 NORTH LOOP EAST  
 HOUSTON, TX 77029

OUT-SWING ENTRANCE DOOR W/ & W/O SIDELITES  
 FIBERGLASS CLAD  
 INSTALLATION DETAILS

DRAWN: N.G.	DWG NO. 08-02313	REV B
SCALE NTS	DATE 04/09/14	SHEET 10 OF 10

