

REVISIONS			
REV	DESCRIPTION	DATE	APPROVED

NOTES:

1. THE PRODUCT SHOWN HEREIN IS DESIGNED AND MANUFACTURED TO COMPLY WITH REQUIREMENTS OF THE FLORIDA BUILDING CODE.
2. WOOD FRAMING AND MASONRY OPENING TO BE DESIGNED AND ANCHORED TO PROPERLY TRANSFER ALL LOADS TO STRUCTURE. FRAMING AND MASONRY OPENING IS THE RESPONSIBILITY OF THE ARCHITECT OR ENGINEER OF RECORD.
3. 1X BUCK OVER MASONRY/CONCRETE IS OPTIONAL.
4. WHERE SHIM OR BUCK THICKNESS IS LESS THAN 1-1/2" UNITS MUST BE ANCHORED THROUGH THE FRAME IN ACCORDANCE WITH MANUFACTURER'S PUBLISHED INSTALLATION INSTRUCTIONS. ANCHORS SHALL BE SECURELY FASTENED DIRECTLY INTO MASONRY, CONCRETE OR OTHER STRUCTURAL SUBSTRATE MATERIAL.
5. WHERE WOOD BUCK THICKNESS IS 1-1/2" OR GREATER, BUCK SHALL BE SECURELY FASTENED TO MASONRY, CONCRETE OR OTHER STRUCTURAL SUBSTRATE. UNITS MAY BE ANCHORED THROUGH FRAME TO SECURED WOOD BUCK IN ACCORDANCE WITH MANUFACTURER'S PUBLISHED INSTALLATION INSTRUCTIONS.
6. WHERE 1X BUCK IS NOT USED DISSIMILAR MATERIALS MUST BE SEPARATED WITH APPROVED COATING OR MEMBRANE. SELECTION OF COATING OR MEMBRANE IS THE RESPONSIBILITY OF THE ARCHITECT OR ENGINEER OF RECORD.
7. BUCKS SHALL EXTEND BEYOND UNIT FRAME INTERIOR FACE SO THAT FULL FRAME SUPPORT IS PROVIDED.
8. SHIM AS REQUIRED AT EACH ANCHOR LOCATION WITH LOAD BEARING SHIM. SHIM WHERE SPACE OF 1/16" OR GREATER OCCURS. MAXIMUM ALLOWABLE SHIM STACK TO BE 1/4".
9. SHIMS SHALL BE LOCATED, APPLIED AND MADE FROM MATERIALS AND THICKNESS CAPABLE OF SUSTAINING APPLICABLE LOADS.
10. WIND LOAD DURATION FACTOR Cd=1.6 WAS USED FOR WOOD ANCHOR CALCULATIONS.
11. FRAME JAMB AND HEAD MATERIAL: CO-EXTRUDED PVC FOAM 1 1/2" THICK.
12. FRAME SILL MATERIAL: CO-EXTRUDED PVC FOAM 2" THICK WITH ALUMINUM CLADDING .063" THICK.
13. DOOR PANEL AND SIDELITE MATERIAL: .075" THICK FIBERGLASS SKIN WITH PVC FOAM TOP AND BOTTOM RAILS, AND PVC FOAM VERTICAL STILES WITH PINE REINFORCEMENTS AND POLYURETHANE FOAM CORE.
14. UNITS MUST BE GLAZED PER ASTM E1300-04/09, WITH SAFETY GLAZING.

15. APPROVED IMPACT PROTECTIVE SYSTEM IS REQUIRED FOR THIS PRODUCT IN WIND BORNE DEBRIS REGIONS.
16. FOR ANCHORING THROUGH FRAME INTO WOOD FRAMING OR 2X BUCK USE #10 WOOD SCREWS WITH SUFFICIENT LENGTH TO ACHIEVE A 1 3/8" MINIMUM EMBEDMENT INTO SUBSTRATE. LOCATE ANCHORS AS SHOWN IN ELEVATIONS AND INSTALLATION DETAILS.
17. FOR ANCHORING THROUGH FRAME INTO MASONRY/CONCRETE USE 3/16" TAPCON WITH SUFFICIENT LENGTH TO ACHIEVE A 1 1/4" MINIMUM EMBEDMENT INTO SUBSTRATE WITH 2" MINIMUM EDGE DISTANCE. LOCATE ANCHORS AS SHOWN IN ELEVATIONS AND INSTALLATION DETAILS.
18. FOR ANCHORING THROUGH FRAME INTO METAL STRUCTURE USE #10 SMS OR SELF DRILLING SCREWS WITH SUFFICIENT LENGTH TO ACHIEVE 3 THREADS MINIMUM BEYOND STRUCTURE INTERIOR WALL. LOCATE ANCHORS AS SHOWN IN ELEVATIONS AND INSTALLATION DETAILS.
19. ALL FASTENERS TO BE CORROSION RESISTANT.
20. INSTALLATION ANCHORS SHALL BE INSTALLED IN ACCORDANCE WITH ANCHOR MANUFACTURER'S INSTALLATION INSTRUCTIONS AND ANCHORS SHALL NOT BE USED IN SUBSTRATES WITH STRENGTHS LESS THAN THE MINIMUM STRENGTH SPECIFIED BELOW:
  - A. WOOD: MINIMUM SPECIFIC GRAVITY OF G=0.42
  - B. CONCRETE: MINIMUM COMPRESSIVE STRENGTH OF 2,000 PSI.
  - C. MASONRY: HOLLOW/FILLED BLOCK PER ASTM C90 WITH Fm=2,000PSI MINIMUM.
  - D. METAL STRUCTURE: STEEL 18GA (.048") FY=33KSI/FU=52KSI OR ALUMINUM 6063-T5 FU=30KSI .048" THICK MINIMUM
21. APPROVED CONFIGURATIONS: O, X, O/X, XX, O/X/O, XX/O, O/XX AND O/XX/O. SEE SHEET 3.
22. HINGES LOCATED AT 8 3/4", 39 1/2", AND 71 3/8" FROM TOP OF PANEL.

TABLE OF CONTENTS	
SHEET NO.	DESCRIPTION
1	NOTES
2	ELEVATION
3	APPROVED CONFIGURATIONS
4 - 5	ANCHORING LAYOUTS
6 - 12	INSTALLATION DETAILS
13	COMPONENTS

**NAN YA PLASTICS CORP. USA**  
8989 NORTH LOOP EAST  
HOUSTON, TX 77029

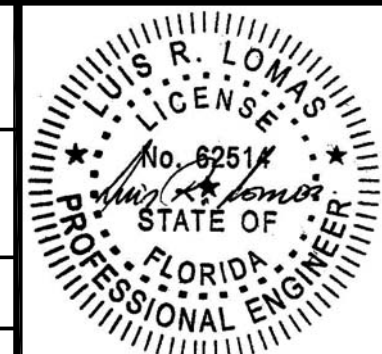
---

IN-SWING ENTRANCE DOOR W/SIDELITES  
FIBERGLASS NON-IMPACT GLAZED  
NOTES

DRAWN: A.R.	DWG NO. 08-03400	REV -
SCALE NTS	DATE 03/28/19	SHEET 1 OF 13

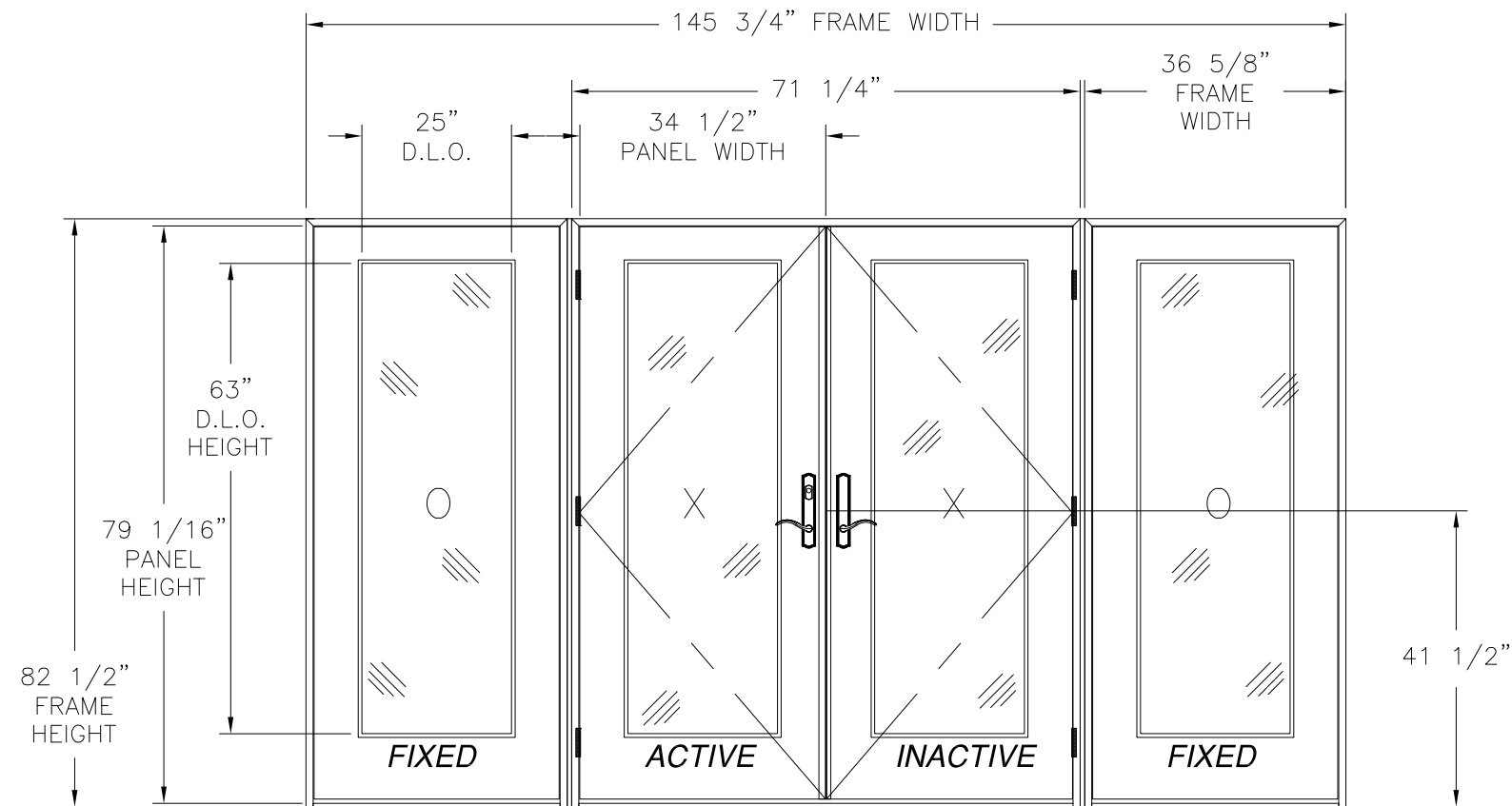
L. ROBERTO LOMAS P.E.  
1432 WOODFORD RD LEWISVILLE, NC 27023  
434-688-0609 rllomas@rlomaspe.com

SIGNED: 04/22/2019



Luis R. Lomas P.E.  
FL No.: 62514

REVISIONS			
REV	DESCRIPTION	DATE	APPROVED



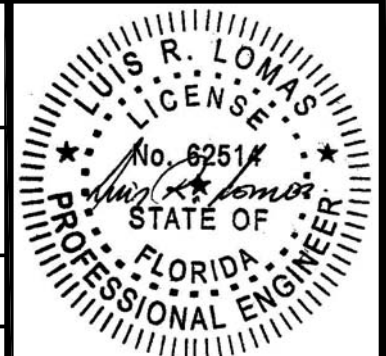
**IN-SWING ENTRANCE DOOR  
DOUBLE DOOR W/ SIDELITES (SLPS)  
EXTERIOR VIEW**

DESIGN PRESSURE RATING	IMPACT RATING
±40.0PSF	NONE

34 1/2" X 79 1/16" PANELS SHOWN. OTHER PANEL SIZES ARE APPROVED AS LONG AS PANEL AREA DOES NOT EXCEED 18.94 FT<sup>2</sup>

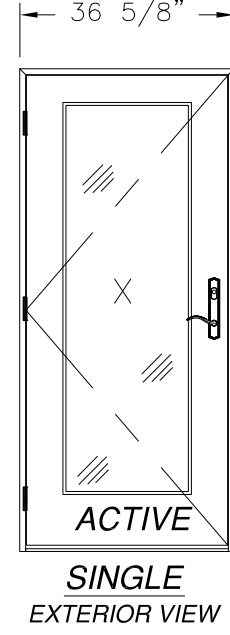
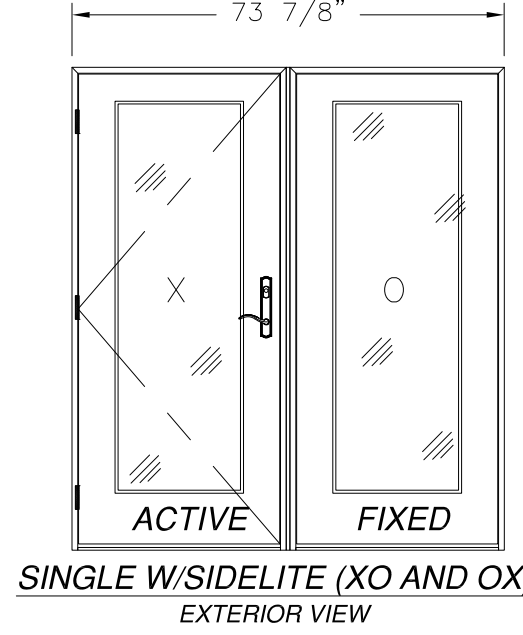
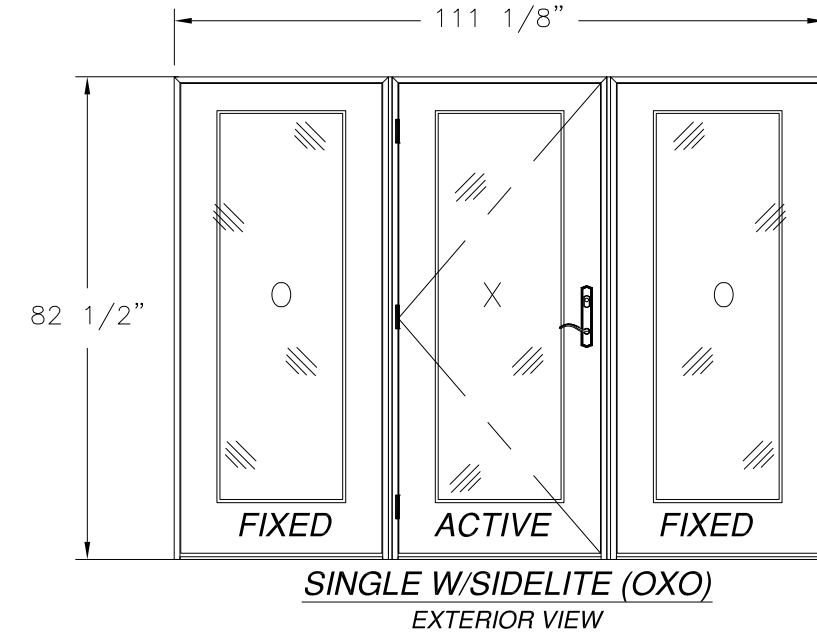
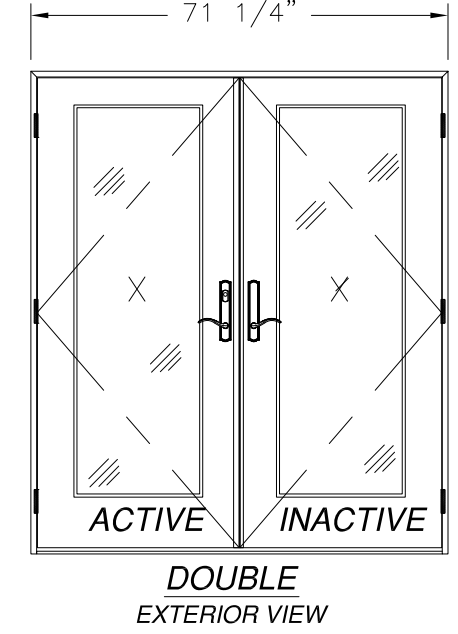
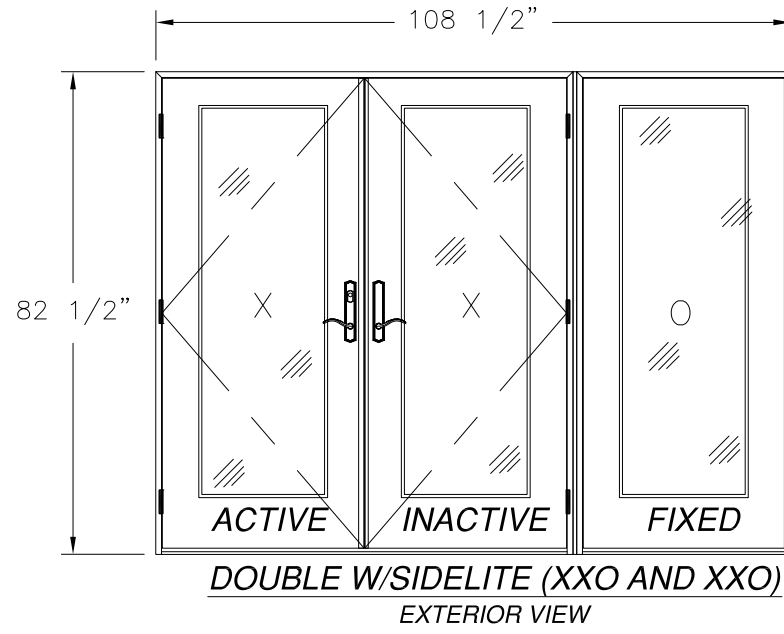
SIGNED: 04/22/2019

<p>NAN YA PLASTICS CORP. USA 8989 NORTH LOOP EAST HOUSTON, TX 77029</p>		
<p>IN-SWING ENTRANCE DOOR W/SIDELITES FIBERGLASS NON-IMPACT GLAZED ELEVATION</p>		
DRAWN: A.R.	DWG NO. 08-03400	REV -
SCALE NTS	DATE 03/28/19	SHEET 2 OF 13
<p>L. ROBERTO LOMAS P.E. 1432 WOODFORD RD LEWISVILLE, NC 27023 434-688-0609 rllomas@rlomaspe.com</p>		



Luis R. Lomas P.E.  
FL No.: 62514

REVISIONS			
REV	DESCRIPTION	DATE	APPROVED



HARDWARE SCHEDULE	
A.	2 POINT LOCK BY NINGBO MICOTA (INACTIVE PANEL)
B.	3 POINT LOCK BY NINGBO MICOTA (ACTIVE PANEL)
C.	(4) 4"x4" BUTT HINGES BY WENZHOU LONGTAI (PER PANEL)
D.	ALUMINUM & PVC FOAM ASTRAGAL BY NAN YA PLASTICS
E.	ALUMINUM & PVC FOAM MULLION BY NAN YA PLASTICS

NOTE:  
ALL APPROVED CONFIGURATIONS ARE SHOWN AS LEFT HAND ACTIVE, RIGHT HAND ACTIVE IS ALSO APPROVED.

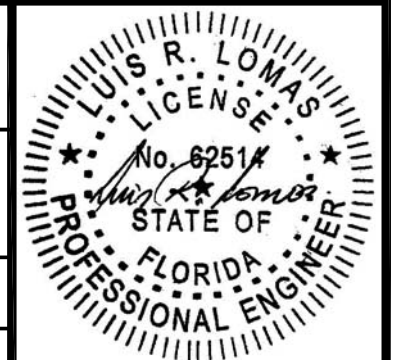
NAN YA PLASTICS CORP. USA  
8989 NORTH LOOP EAST  
HOUSTON, TX 77029

IN-SWING ENTRANCE DOOR W/SIDELITES  
FIBERGLASS NON-IMPACT GLAZED  
ADDITIONAL CONFIGURATIONS AND HARDWARE

DRAWN: A.R.	DWG NO. 08-03400	REV -
SCALE NTS	DATE 03/28/19	SHEET 3 OF 13

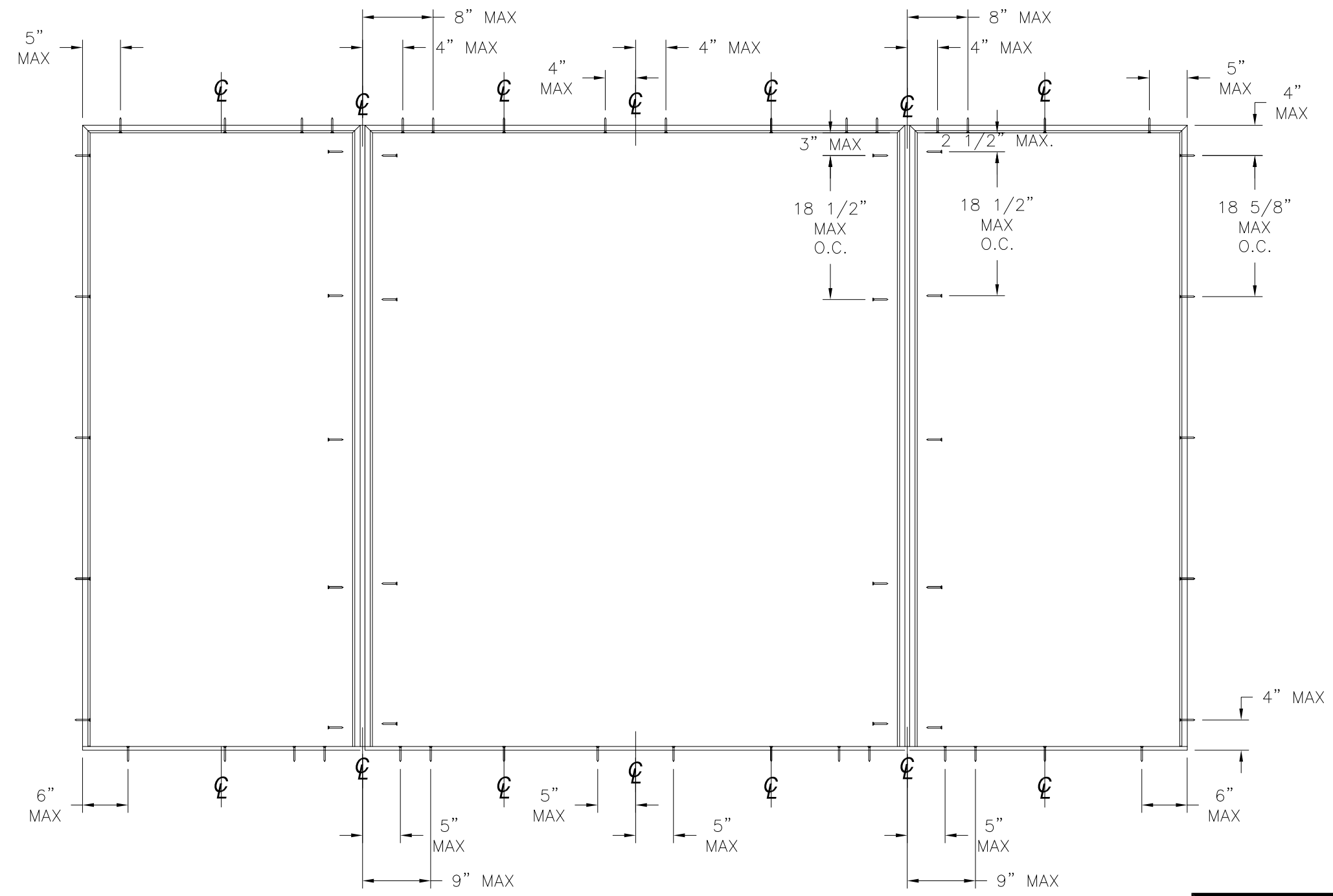
L. ROBERTO LOMAS P.E.  
1432 WOODFORD RD LEWISVILLE, NC 27023  
434-688-0609 rllomas@lrlomaspe.com

SIGNED: 04/22/2019



Luis R. Lomas P.E.  
FL No.: 62514

REVISIONS			
REV	DESCRIPTION	DATE	APPROVED
ANCHORING NOTES:			



ANCHORING LAYOUT FOR OXXO

SIGNED: 04/22/2019

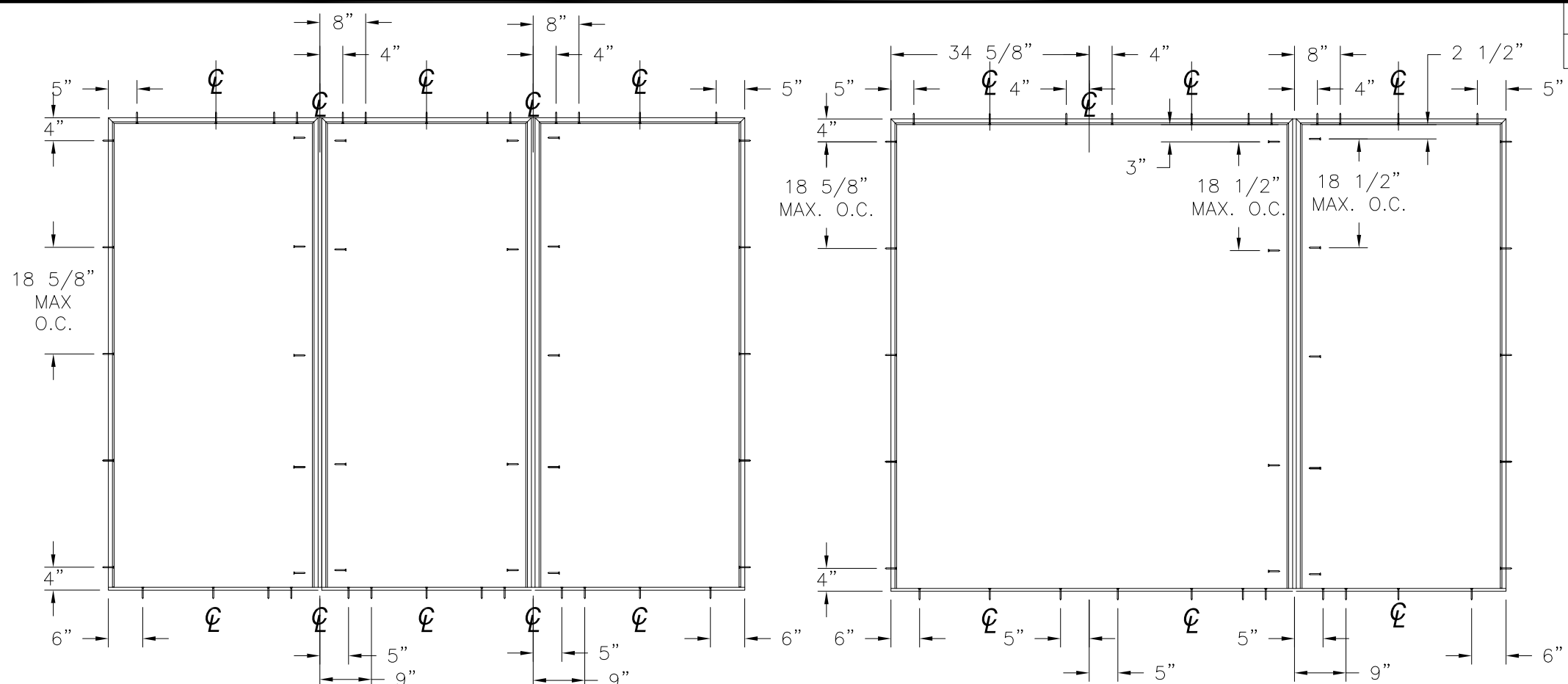
NAN YA PLASTICS CORP. USA  
 8989 NORTH LOOP EAST  
 HOUSTON, TX 77029

IN-SWING ENTRANCE DOOR W/SIDELITES  
 FIBERGLASS NON-IMPACT GLAZED  
 ANCHORING LAYOUT

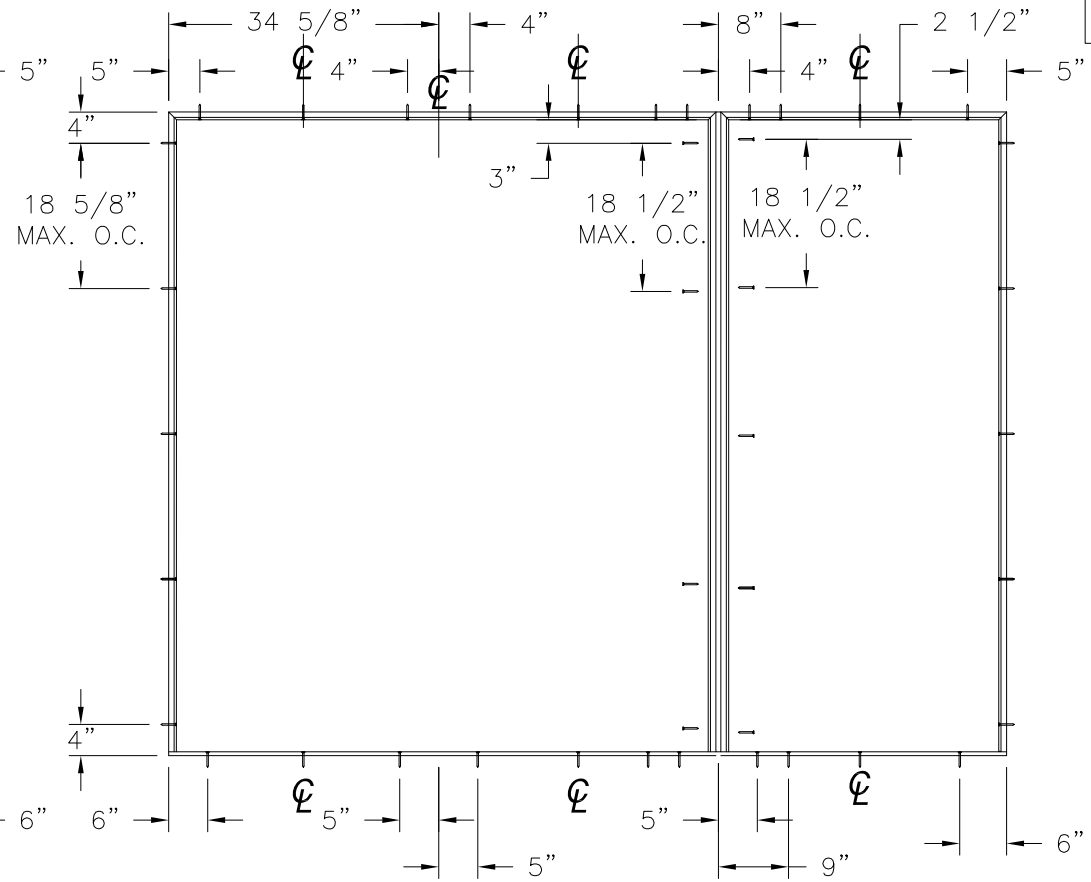
DRAWN: A.R.	DWG NO. 08-03400	REV -
SCALE NTS	DATE 03/28/19	SHEET 4 OF 13

L. ROBERTO LOMAS P.E.  
 1432 WOODFORD RD LEWISVILLE, NC 27023  
 434-688-0609 rllomas@rlomaspe.com

Luis R. Lomas P.E.  
 FL No.: 62514

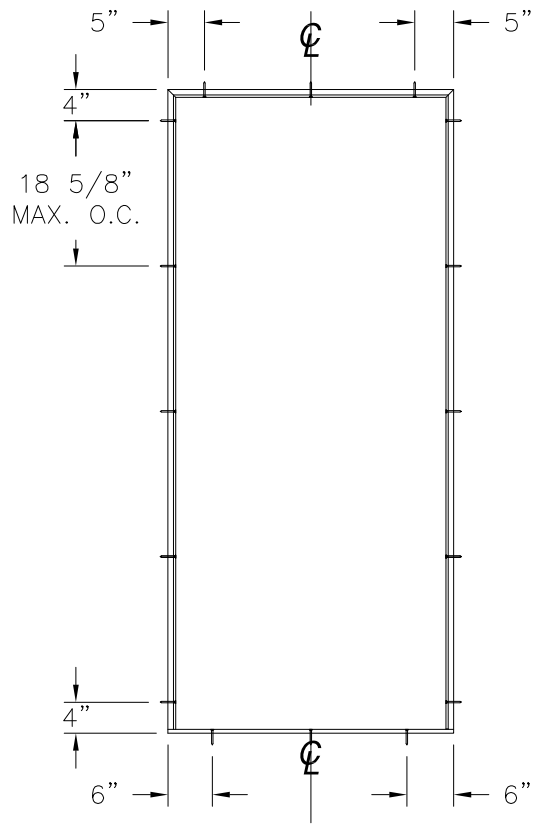


ANCHORING LAYOUT FOR OXO

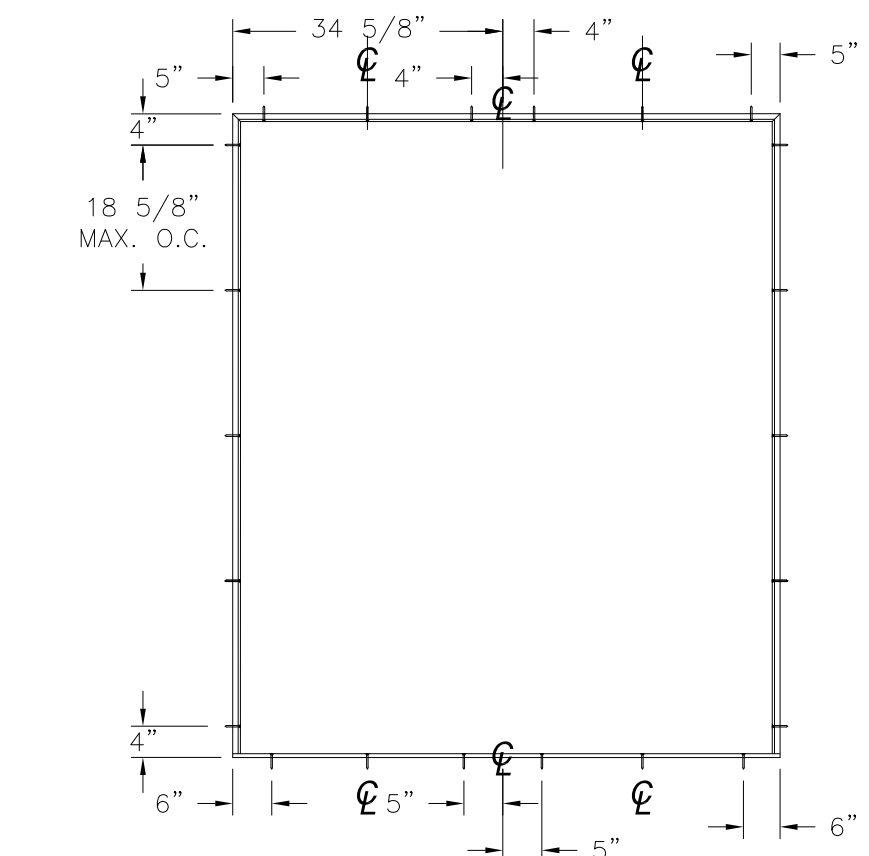


ANCHORING LAYOUT FOR XXO AND OXX

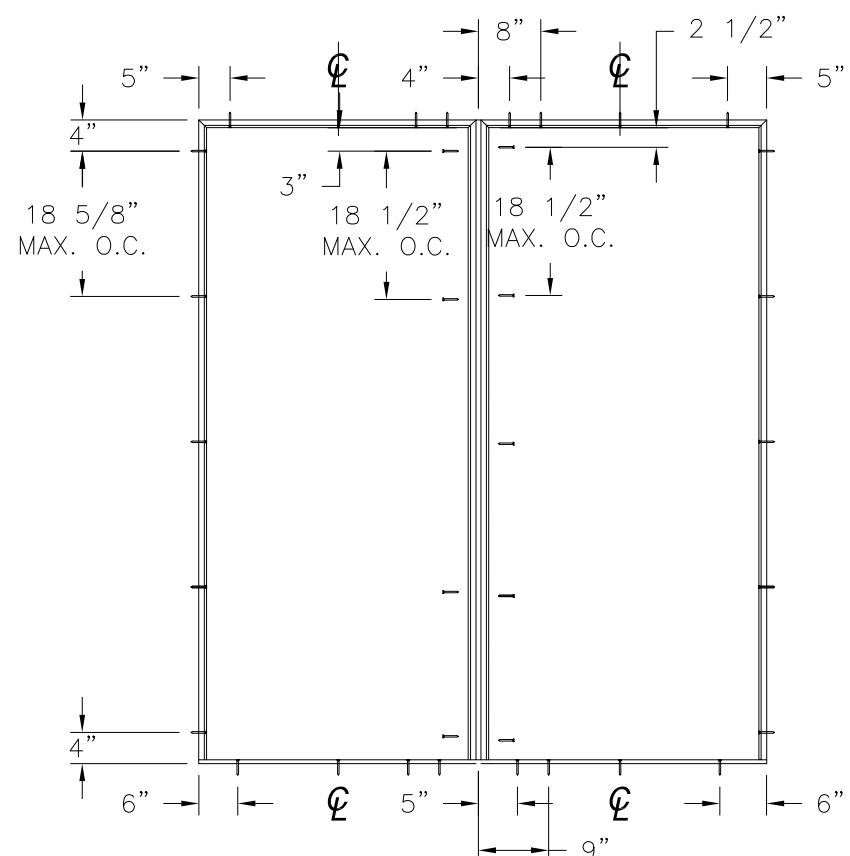
REVISIONS			
REV	DESCRIPTION	DATE	APPROVED



ANCHORING LAYOUT FOR X



ANCHORING LAYOUT FOR XX



ANCHORING LAYOUT FOR OX AND XO

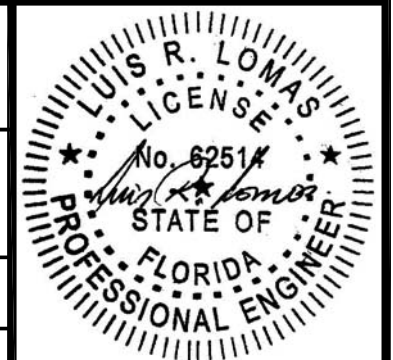
NAN YA PLASTICS CORP. USA  
 8989 NORTH LOOP EAST  
 HOUSTON, TX 77029

IN-SWING ENTRANCE DOOR W/SIDELITES  
 FIBERGLASS NON-IMPACT GLAZED  
 ANCHORING LAYOUTS

DRAWN: A.R.	DWG NO. 08-03400	REV -
SCALE NTS	DATE 03/28/19	SHEET 5 OF 13

L. ROBERTO LOMAS P.E.  
 1432 WOODFORD RD LEWISVILLE, NC 27023  
 434-688-0609 rllomas@rlomaspe.com

SIGNED: 04/22/2019



Luis R. Lomas P.E.  
 FL No.: 62514

2X BUCK/WOOD FRAMING BY OTHERS, 2X BUCK TO BE PROPERLY SECURED

1/2" MIN EDGE DISTANCE

1 3/8" MIN. EMBEDMENT

BACKER ROD AND APPROVED SEALANT BY OTHERS

#10 WOOD SCREW

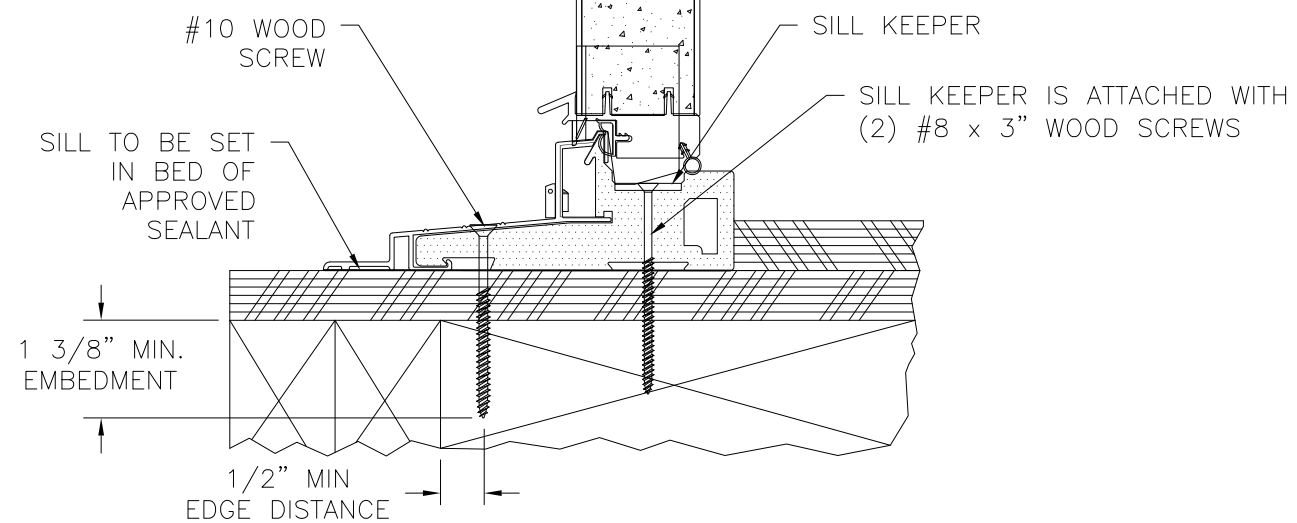
1/4" MAX. SHIM SPACE

HEAD KEEPER

HEAD KEEPER IS ATTACHED WITH (2) #8 x 3" WOOD SCREWS

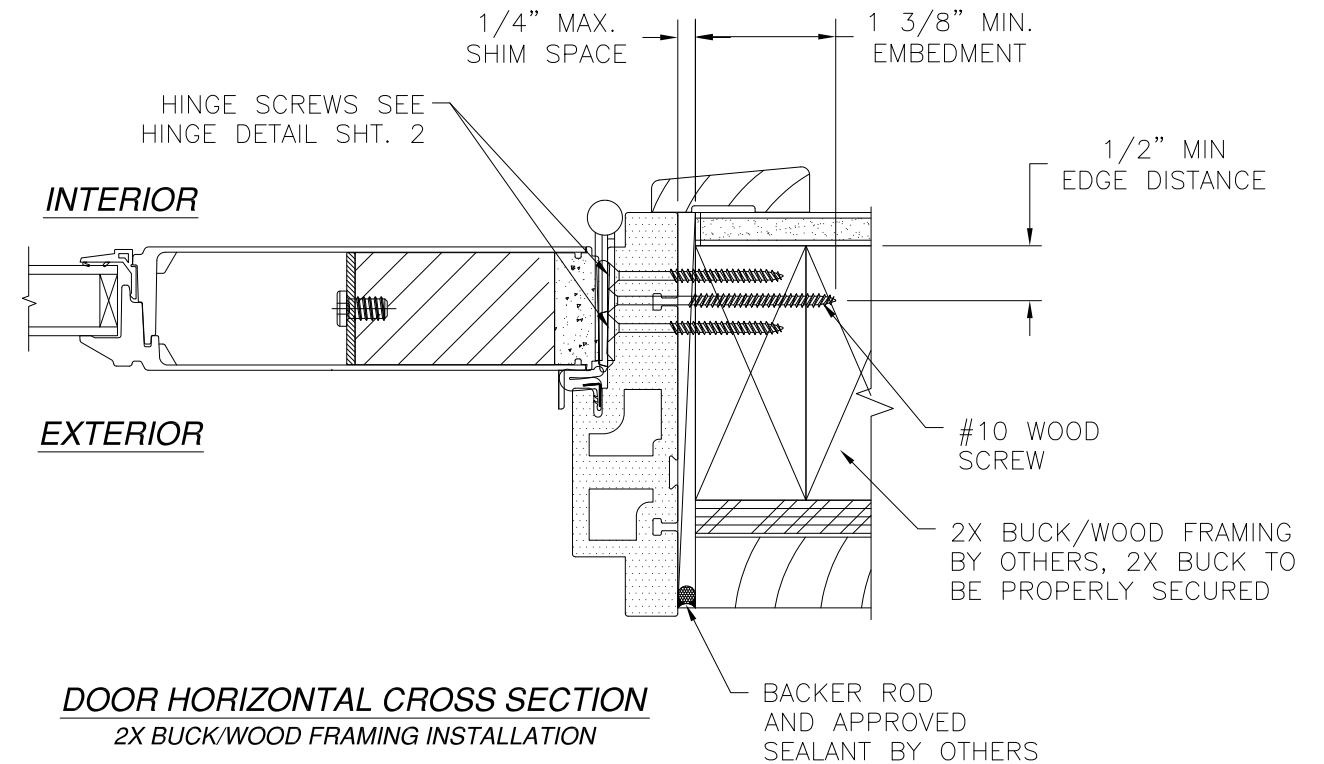
EXTERIOR

INTERIOR



**DOOR VERTICAL CROSS SECTION**  
2X BUCK/WOOD FRAMING INSTALLATION

REVISIONS			
REV	DESCRIPTION	DATE	APPROVED

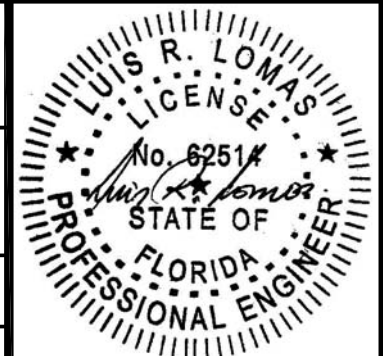


**DOOR HORIZONTAL CROSS SECTION**  
2X BUCK/WOOD FRAMING INSTALLATION

- NOTES:**
1. INTERIOR AND EXTERIOR FINISHES, BY OTHERS, NOT SHOWN FOR CLARITY.
  2. PERIMETER AND JOINT SEALANT BY OTHERS TO BE DESIGNED IN ACCORDANCE WITH ASTM E2112

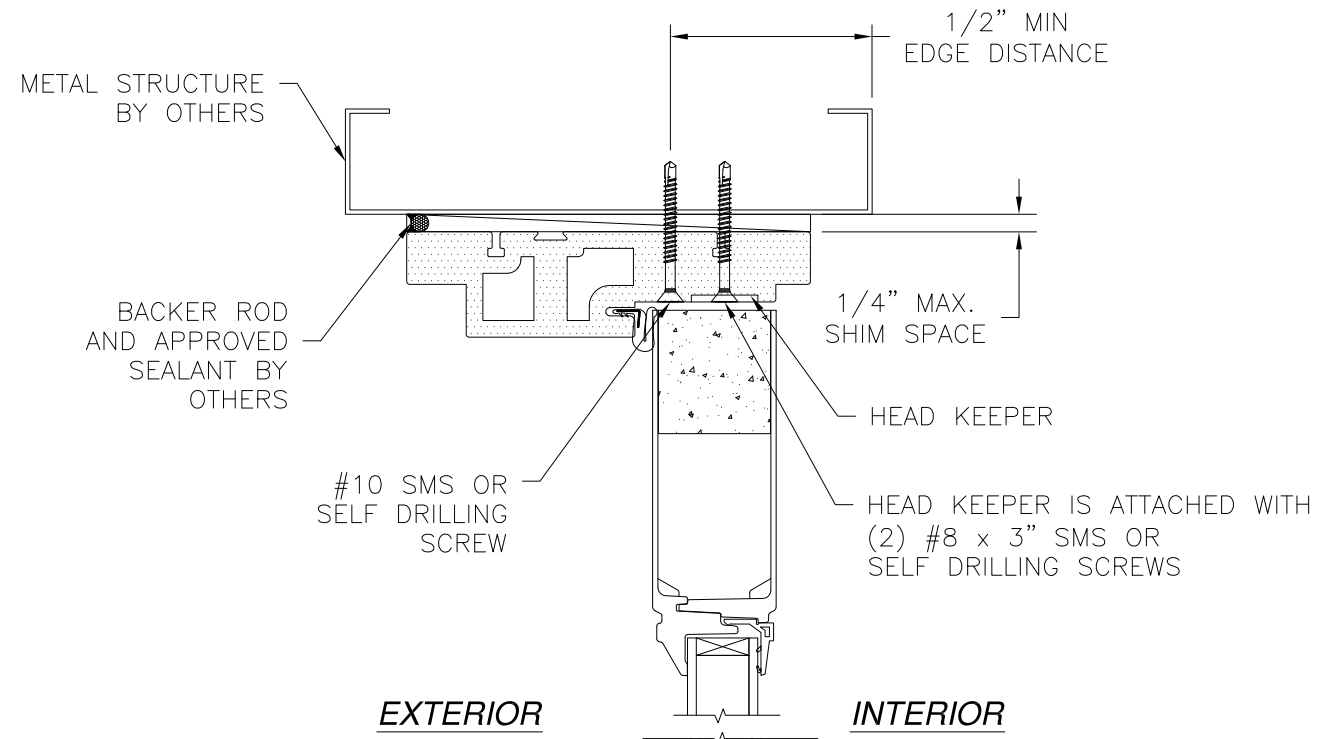
SIGNED: 04/22/2019

<p>NAN YA PLASTICS CORP. USA 8989 NORTH LOOP EAST HOUSTON, TX 77029</p>		
<p>IN-SWING ENTRANCE DOOR W/SIDELITES FIBERGLASS NON-IMPACT GLAZED DOOR INSTALLATION DETAILS</p>		
<p>DRAWN: A.R.</p>	<p>DWG NO. 08-03400</p>	<p>REV -</p>
<p>SCALE NTS</p>	<p>DATE 03/28/19</p>	<p>SHEET 6 OF 13</p>
<p>L. ROBERTO LOMAS P.E. 1432 WOODFORD RD LEWISVILLE, NC 27023 434-688-0609 rllomas@rlomaspe.com</p>		

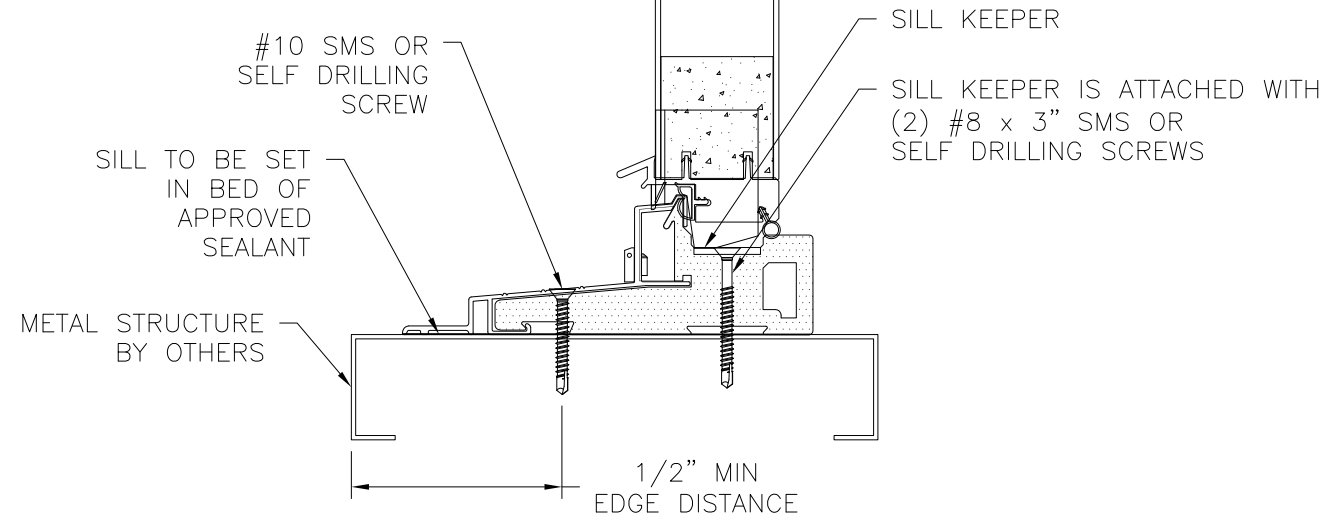


Luis R. Lomas P.E.  
FL No.: 62514

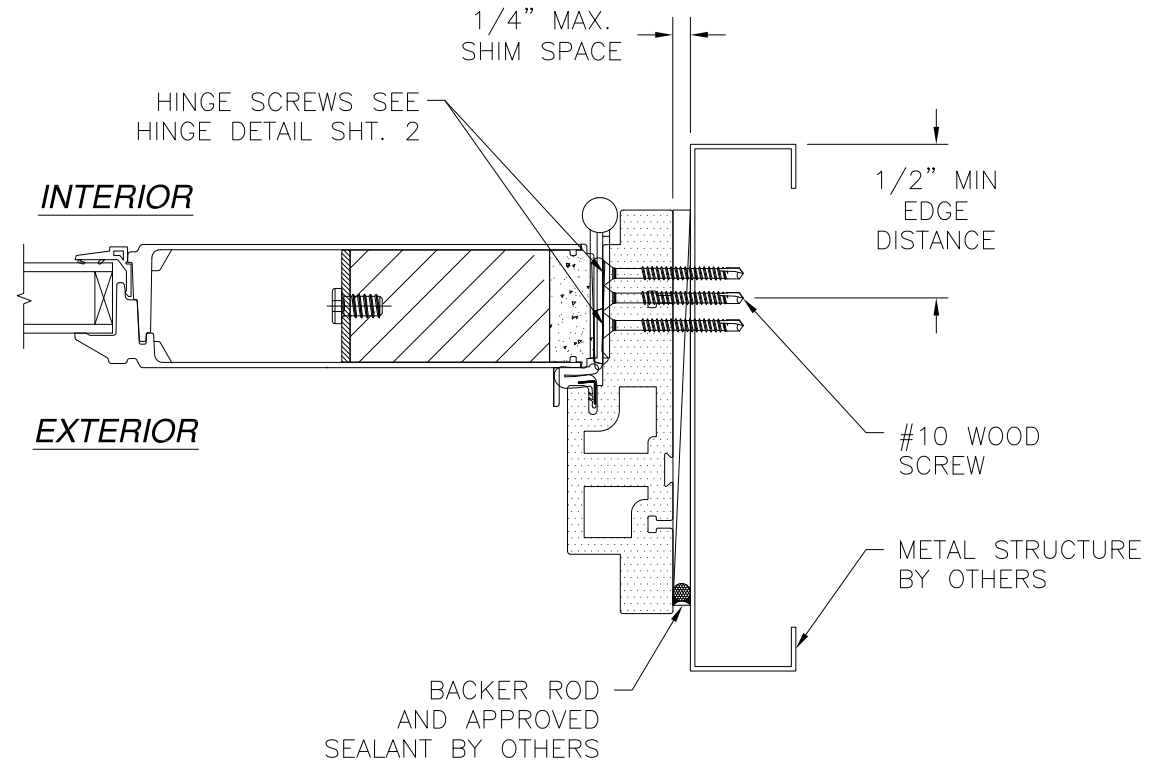
REVISIONS			
REV	DESCRIPTION	DATE	APPROVED



**EXTERIOR**                      **INTERIOR**



**DOOR VERTICAL CROSS SECTION**  
METAL STRUCTURE INSTALLATION



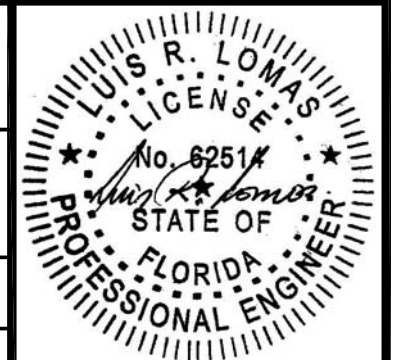
**INTERIOR**  
**EXTERIOR**

**DOOR HORIZONTAL CROSS SECTION**  
METAL STRUCTURE INSTALLATION

- NOTES:**
1. INTERIOR AND EXTERIOR FINISHES, BY OTHERS, NOT SHOWN FOR CLARITY.
  2. PERIMETER AND JOINT SEALANT BY OTHERS TO BE DESIGNED IN ACCORDANCE WITH ASTM E2112

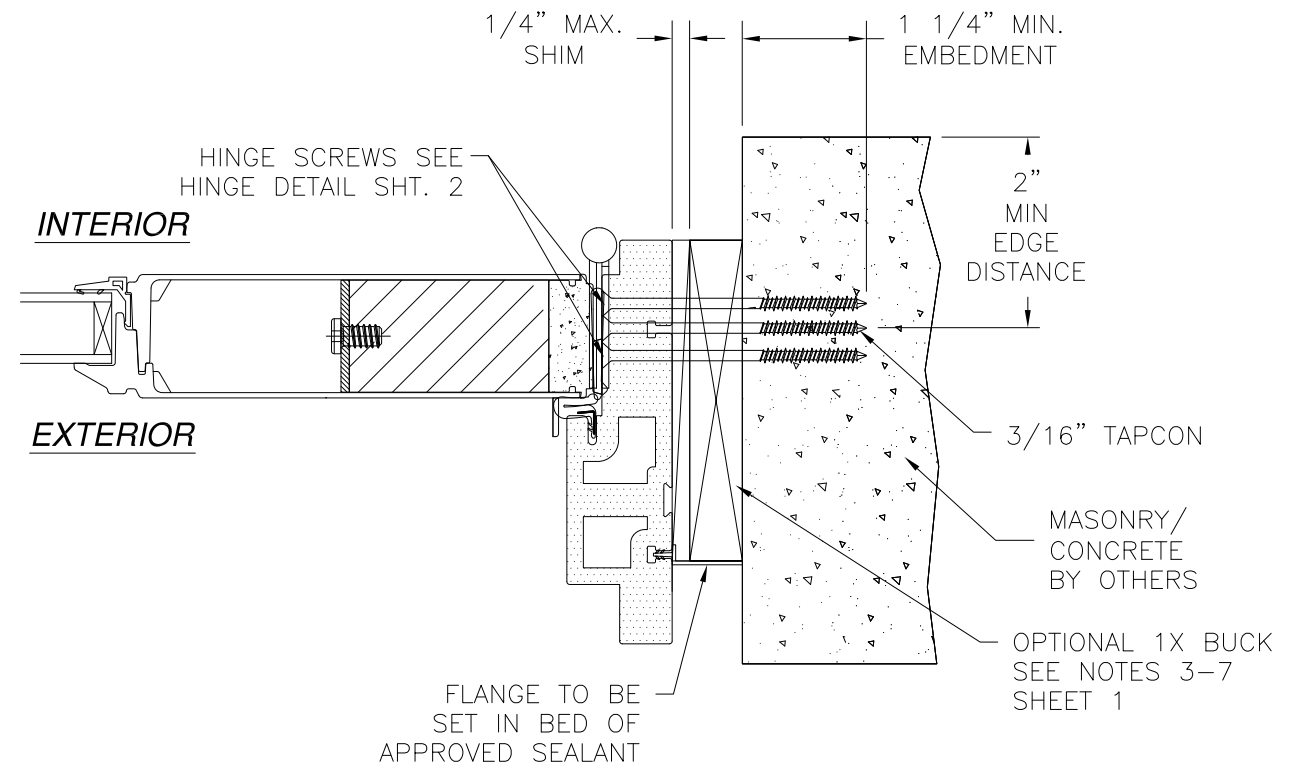
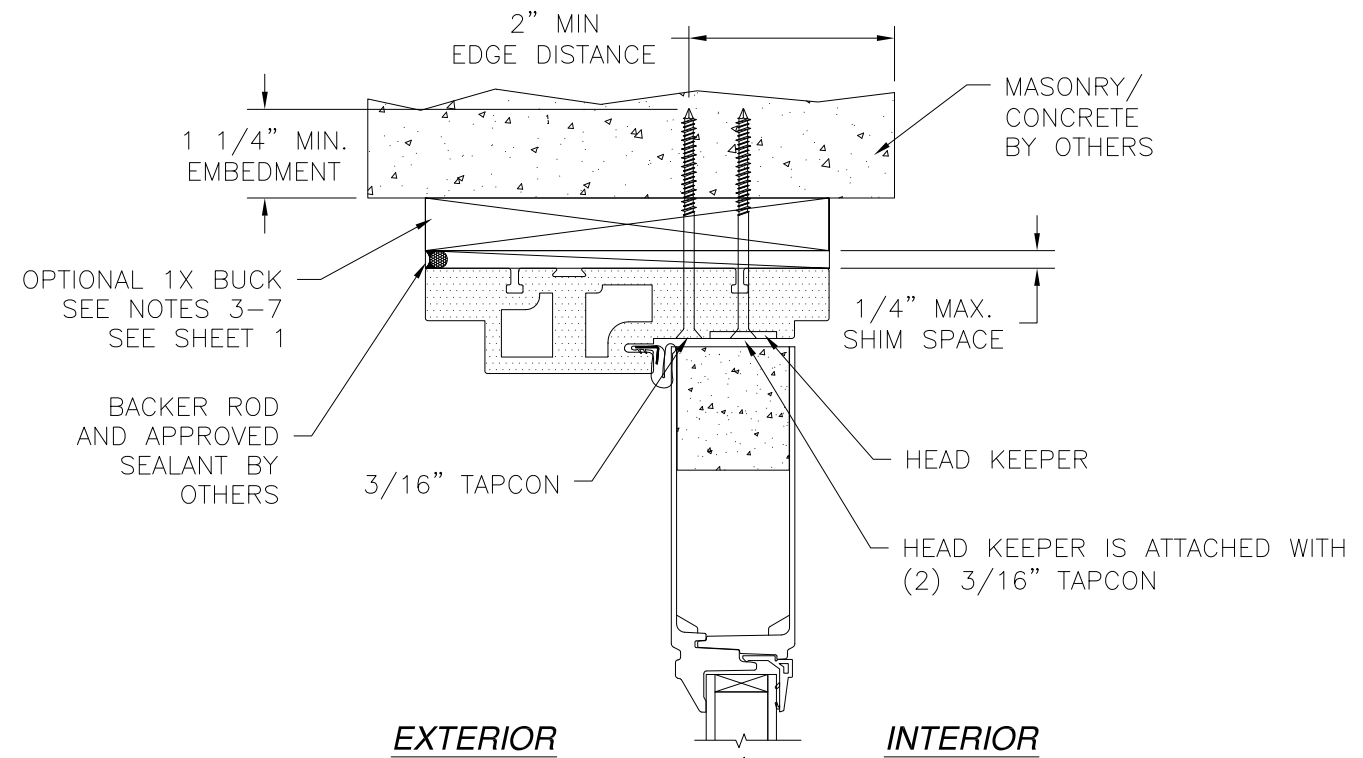
SIGNED: 04/22/2019

<p>NAN YA PLASTICS CORP. USA 8989 NORTH LOOP EAST HOUSTON, TX 77029</p>		
<p>IN-SWING ENTRANCE DOOR W/SIDELITES FIBERGLASS NON-IMPACT GLAZED DOOR INSTALLATION DETAILS</p>		
<p>DRAWN: A.R.</p>	<p>DWG NO. 08-03400</p>	<p>REV -</p>
<p>SCALE NTS</p>	<p>DATE 03/28/19</p>	<p>SHEET 7 OF 13</p>
<p>L. ROBERTO LOMAS P.E. 1432 WOODFORD RD LEWISVILLE, NC 27023 434-688-0609 rllomas@rlomaspe.com</p>		

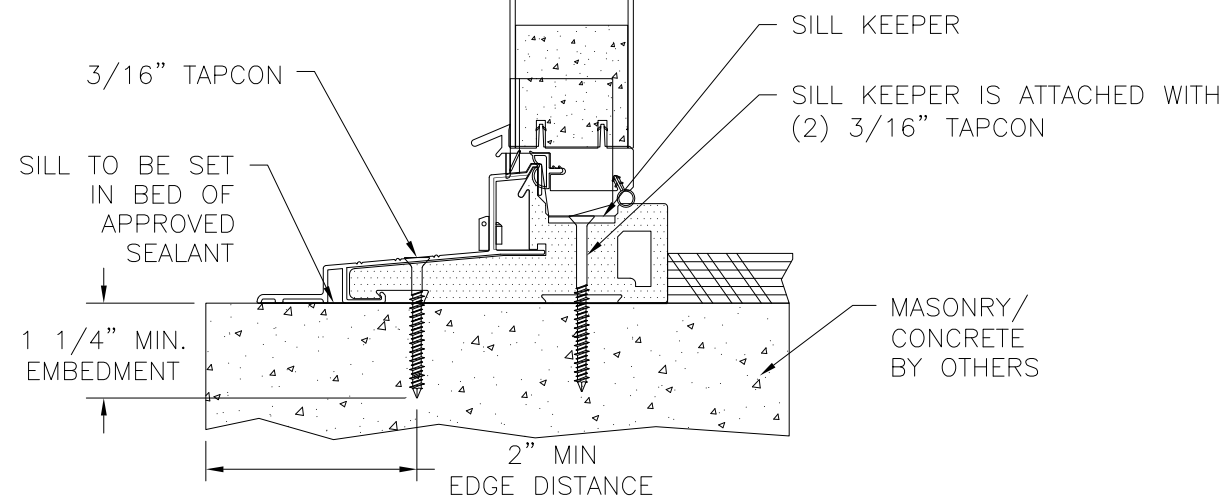


Luis R. Lomas P.E.  
FL No.: 62514

REVISIONS			
REV	DESCRIPTION	DATE	APPROVED



**DOOR HORIZONTAL CROSS SECTION**  
MASONRY/CONCRETE INSTALLATION

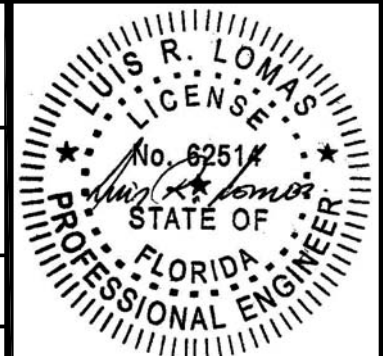


**DOOR VERTICAL CROSS SECTION**  
MASONRY/CONCRETE INSTALLATION

- NOTES:**
1. INTERIOR AND EXTERIOR FINISHES, BY OTHERS, NOT SHOWN FOR CLARITY.
  2. PERIMETER AND JOINT SEALANT BY OTHERS TO BE DESIGNED IN ACCORDANCE WITH ASTM E2112

SIGNED: 04/22/2019

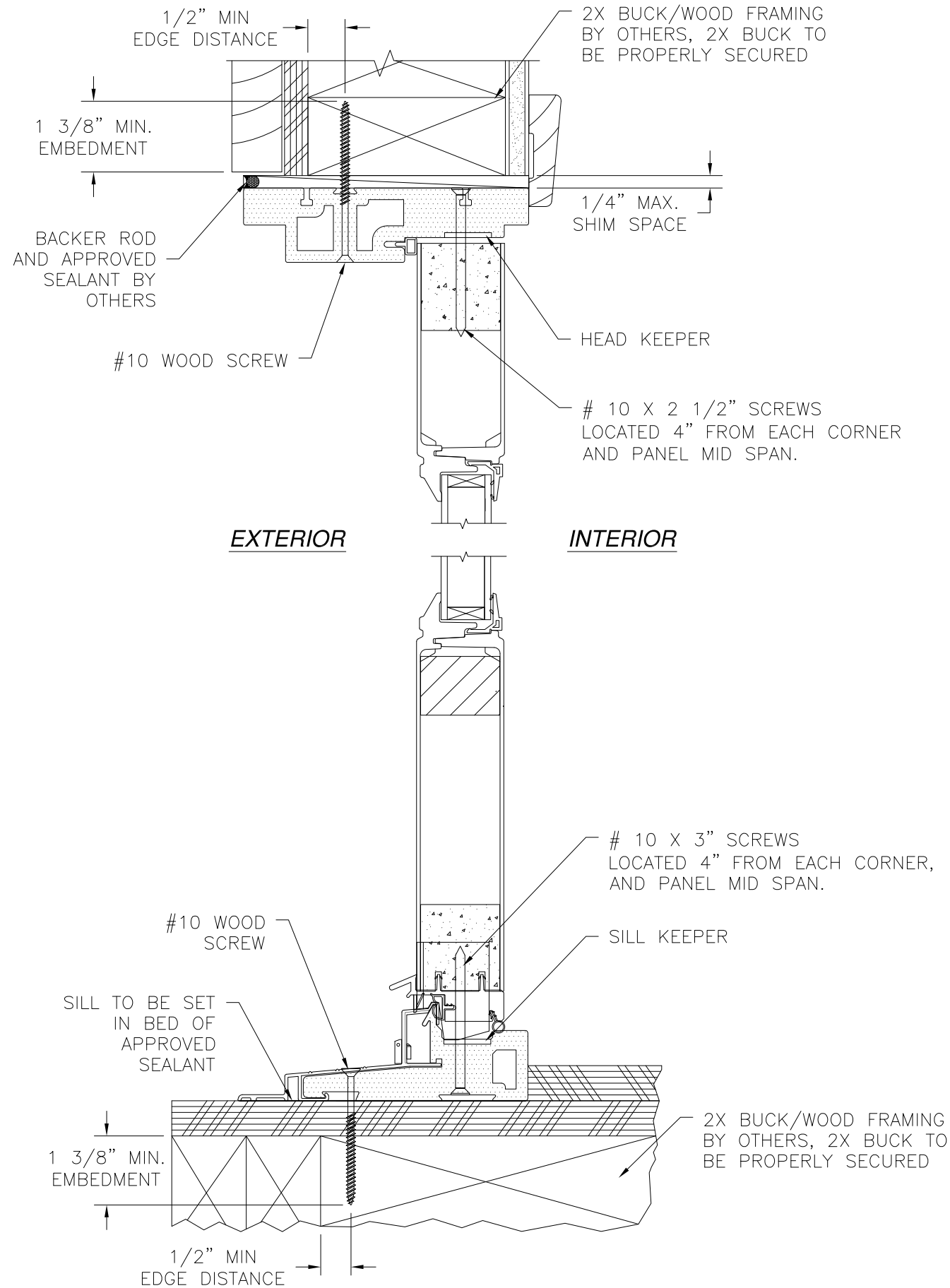
<p>NAN YA PLASTICS CORP. USA 8989 NORTH LOOP EAST HOUSTON, TX 77029</p>		
<p>IN-SWING ENTRANCE DOOR W/SIDELITES FIBERGLASS NON-IMPACT GLAZED DOOR INSTALLATION DETAILS</p>		
DRAWN: A.R.	DWG NO. 08-03400	REV -
SCALE NTS	DATE 03/28/19	SHEET 8 OF 13
<p>L. ROBERTO LOMAS P.E. 1432 WOODFORD RD LEWISVILLE, NC 27023 434-688-0609 rllomas@rlomaspe.com</p>		



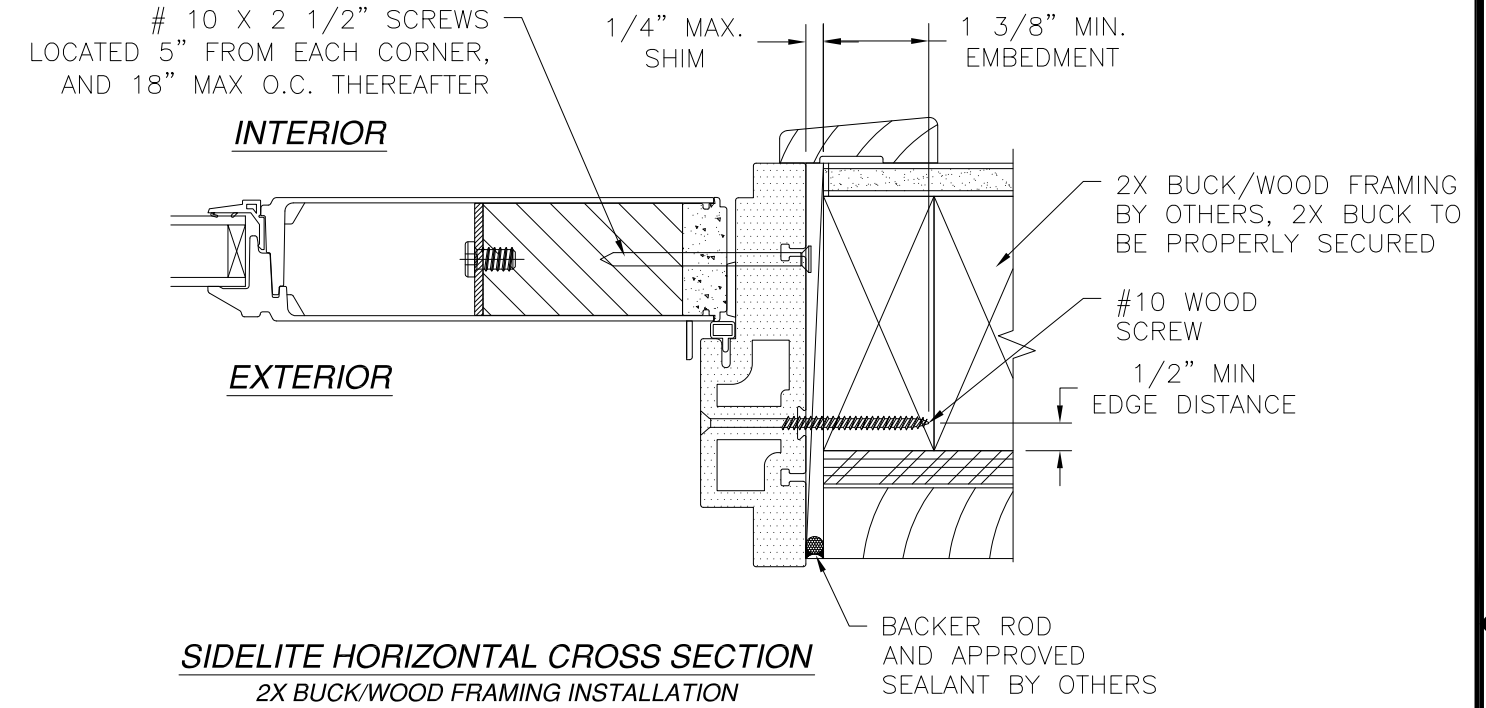
Luis R. Lomas P.E.  
FL No.: 62514



REVISIONS			
REV	DESCRIPTION	DATE	APPROVED



**SIDELITE VERTICAL CROSS SECTION**  
2X BUCK/WOOD FRAMING INSTALLATION



**SIDELITE HORIZONTAL CROSS SECTION**  
2X BUCK/WOOD FRAMING INSTALLATION

- NOTES:**
1. INTERIOR AND EXTERIOR FINISHES, BY OTHERS, NOT SHOWN FOR CLARITY.
  2. PERIMETER AND JOINT SEALANT BY OTHERS TO BE DESIGNED IN ACCORDANCE WITH ASTM E2112

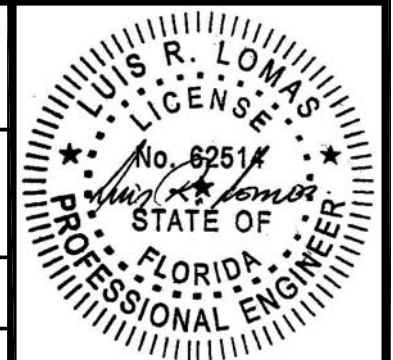
SIGNED: 04/22/2019

NAN YA PLASTICS CORP. USA  
8989 NORTH LOOP EAST  
HOUSTON, TX 77029

IN-SWING ENTRANCE DOOR W/SIDELITES  
FIBERGLASS NON-IMPACT GLAZED  
SIDELITES INSTALLATION DETAILS

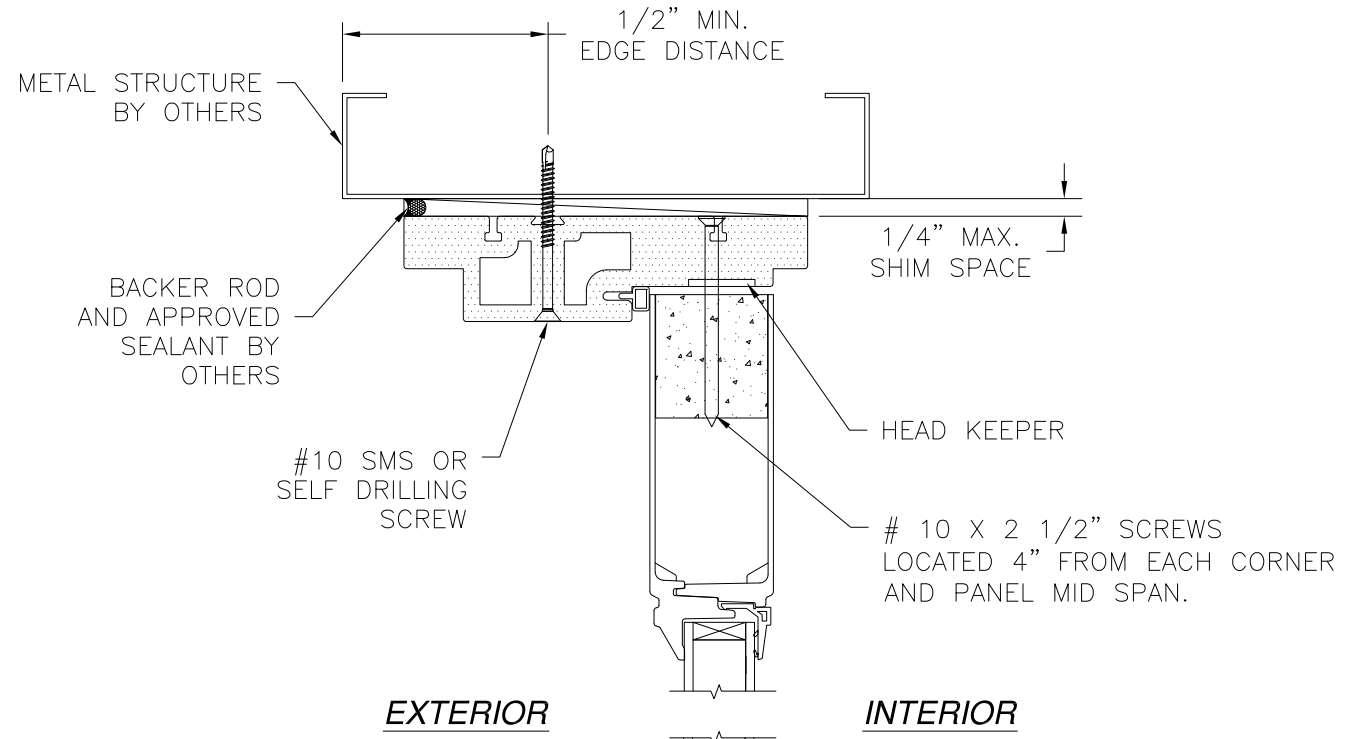
DRAWN: A.R.	DWG NO. 08-03400	REV -
SCALE NTS	DATE 03/28/19	SHEET 9 OF 13

L. ROBERTO LOMAS P.E.  
1432 WOODFORD RD LEWISVILLE, NC 27023  
434-688-0609 rllomas@rlomaspe.com

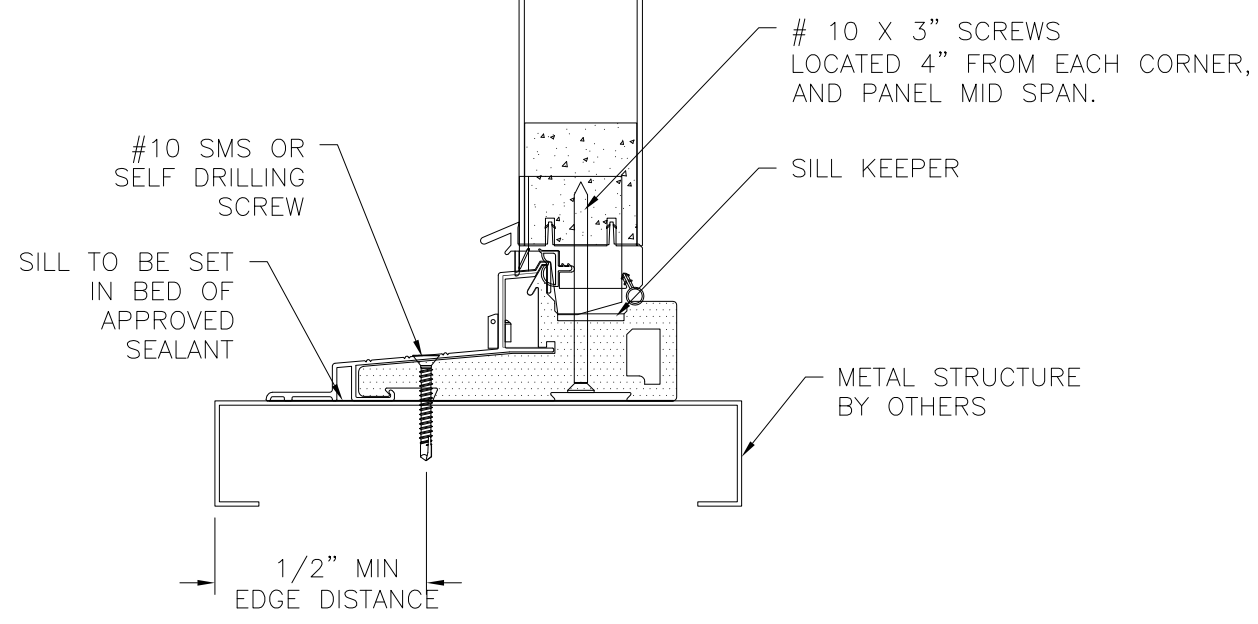


Luis R. Lomas P.E.  
FL No.: 62514

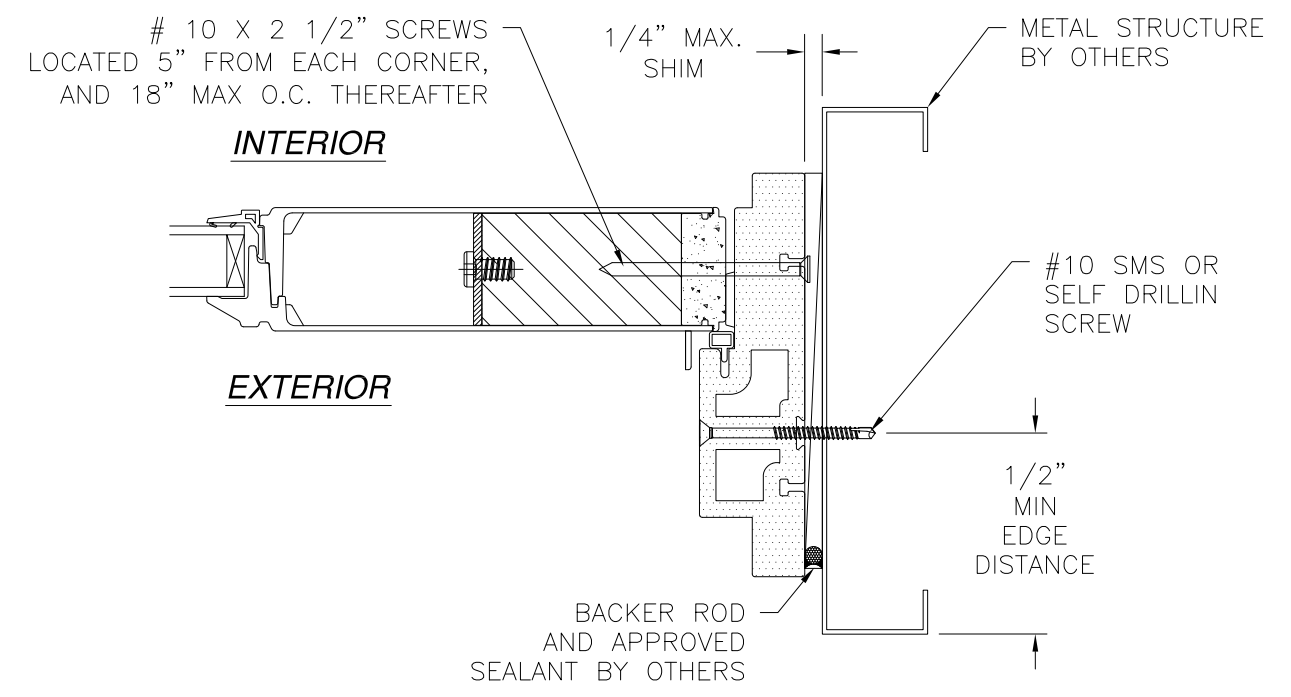
REVISIONS			
REV	DESCRIPTION	DATE	APPROVED



**EXTERIOR**                      **INTERIOR**



**SIDELITE VERTICAL CROSS SECTION**  
METAL STRUCTURE INSTALLATION



**INTERIOR**  
  
**EXTERIOR**

**SIDELITE HORIZONTAL CROSS SECTION**  
METAL STRUCTURE INSTALLATION

- NOTES:**  
1. INTERIOR AND EXTERIOR FINISHES, BY OTHERS, NOT SHOWN FOR CLARITY.  
2. PERIMETER AND JOINT SEALANT BY OTHERS TO BE DESIGNED IN ACCORDANCE WITH ASTM E2112

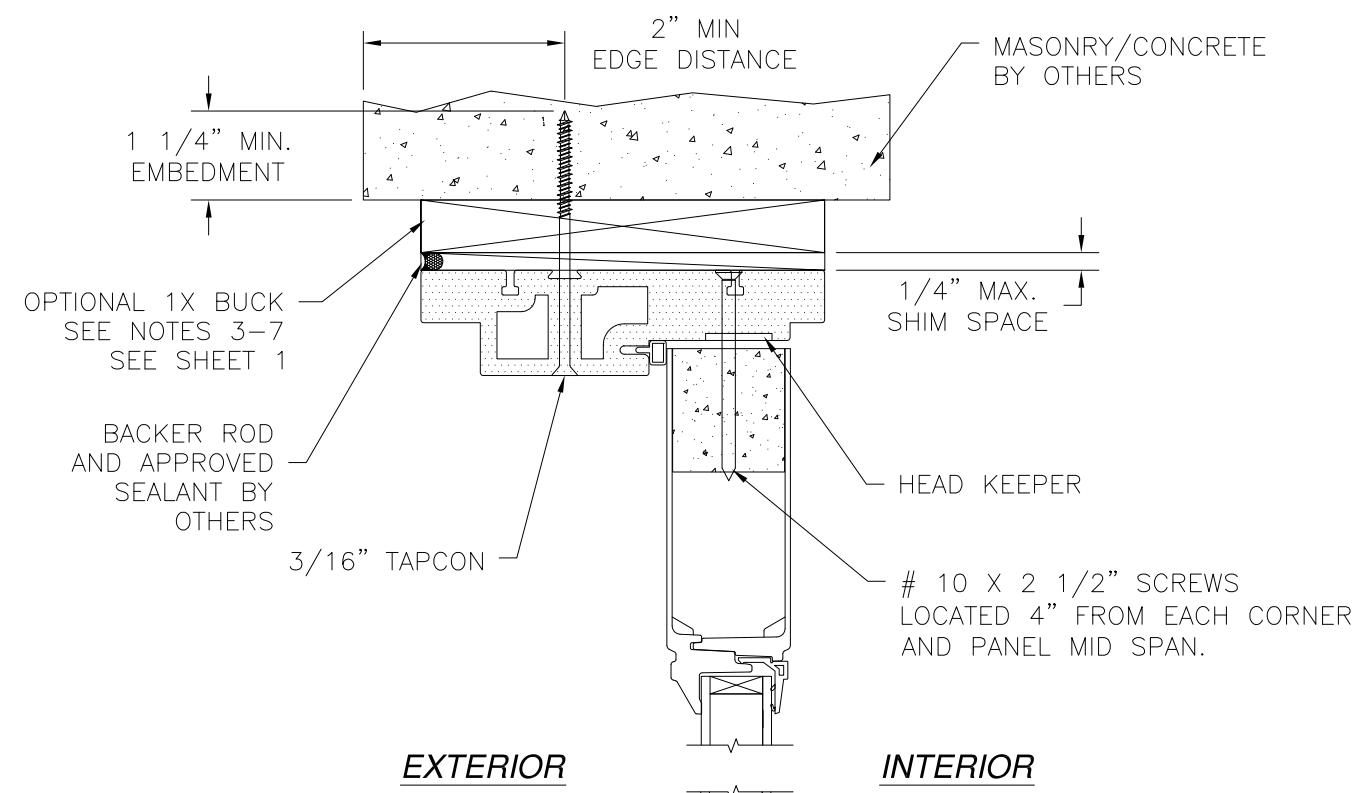
SIGNED: 04/22/2019

<b>NAN YA PLASTICS CORP. USA</b> 8989 NORTH LOOP EAST HOUSTON, TX 77029		
IN-SWING ENTRANCE DOOR W/SIDELITES FIBERGLASS NON-IMPACT GLAZED SIDELITES INSTALLATION DETAILS		
DRAWN: A.R.	DWG NO. 08-03400	REV -
SCALE NTS	DATE 03/28/19	SHEET 10 OF 13
L. ROBERTO LOMAS P.E. 1432 WOODFORD RD LEWISVILLE, NC 27023 434-688-0609 rllomas@rlomaspe.com		

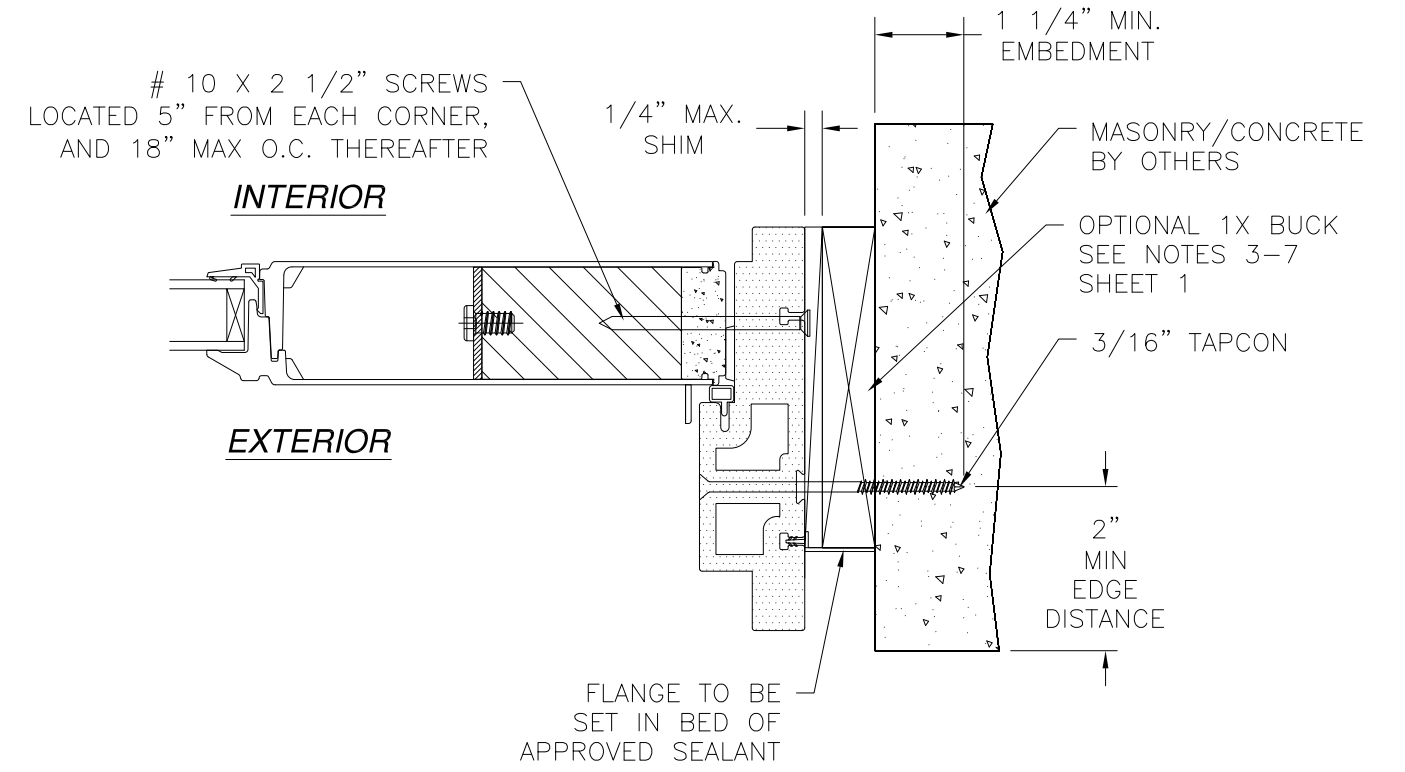


Luis R. Lomas P.E.  
FL No.: 62514

REVISIONS			
REV	DESCRIPTION	DATE	APPROVED



**SIDELITE VERTICAL CROSS SECTION**  
MASONRY/CONCRETE INSTALLATION

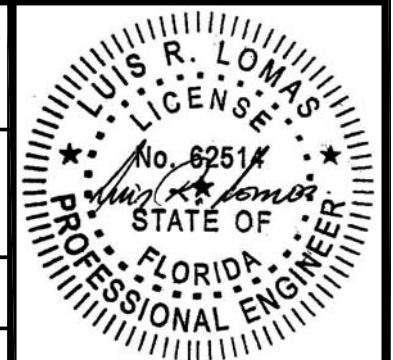


**SIDELITE HORIZONTAL CROSS SECTION**  
MASONRY/CONCRETE INSTALLATION

- NOTES:**
1. INTERIOR AND EXTERIOR FINISHES, BY OTHERS, NOT SHOWN FOR CLARITY.
  2. PERIMETER AND JOINT SEALANT BY OTHERS TO BE DESIGNED IN ACCORDANCE WITH ASTM E2112

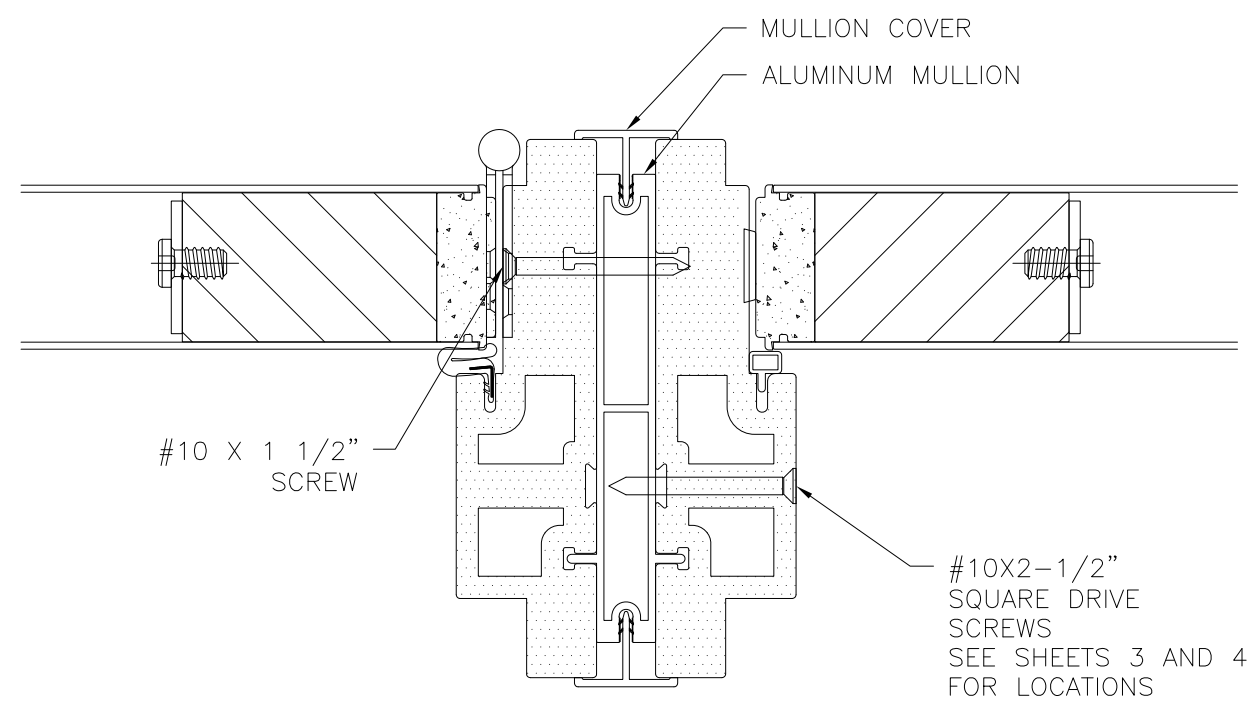
SIGNED: 04/22/2019

<p>NAN YA PLASTICS CORP. USA 8989 NORTH LOOP EAST HOUSTON, TX 77029</p>		
<p>IN-SWING ENTRANCE DOOR W/SIDELITES FIBERGLASS NON-IMPACT GLAZED SIDELITES INSTALLATION DETAILS</p>		
DRAWN: A.R.	DWG NO. 08-03400	REV -
SCALE NTS	DATE 03/28/19	SHEET 11 OF 13
<p>L. ROBERTO LOMAS P.E. 1432 WOODFORD RD LEWISVILLE, NC 27023 434-688-0609 rllomas@rlomaspe.com</p>		

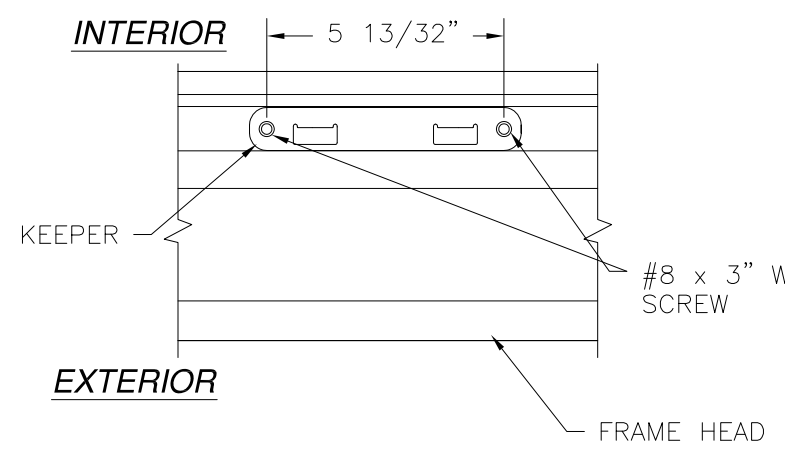


Luis R. Lomas P.E.  
FL No.: 62514

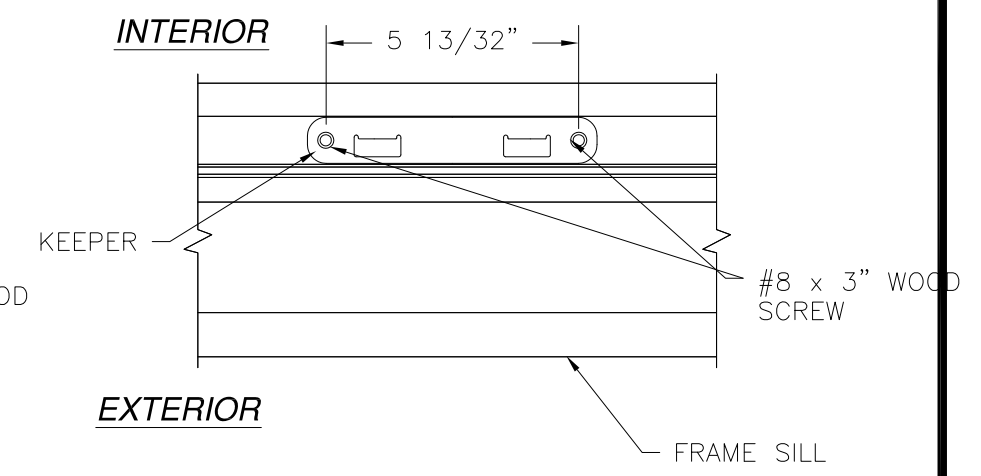
REVISIONS			
REV	DESCRIPTION	DATE	APPROVED



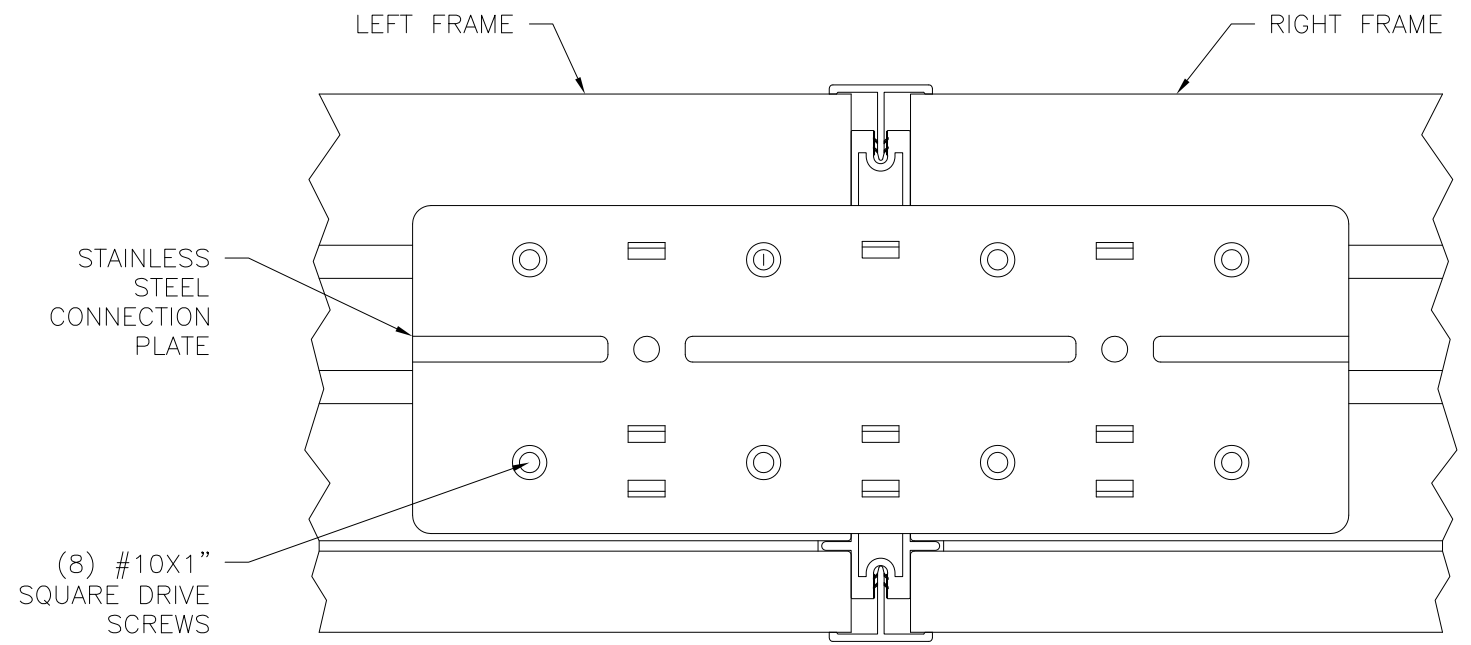
**MULLION DETAIL**



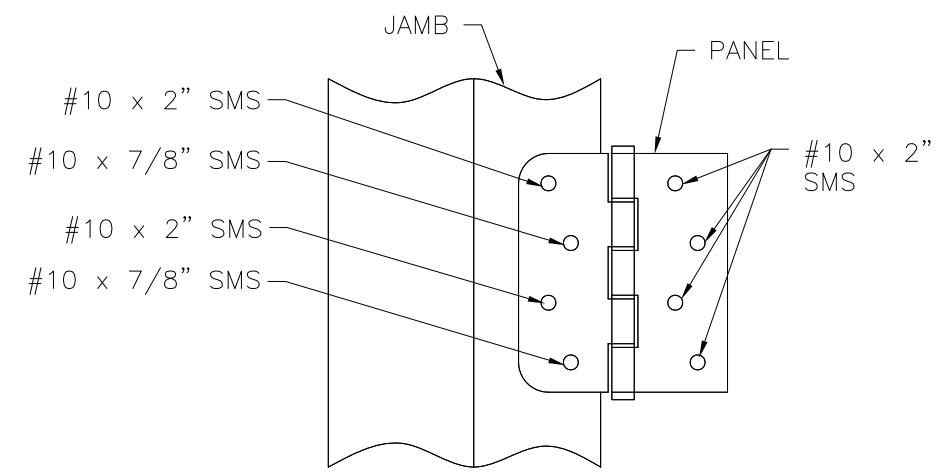
**HEAD KEEPER DETAIL**



**SILL KEEPER DETAIL**



**FRAME CONNECTION DETAIL**



**HINGE INSTALLATION DETAIL**

SIGNED: 04/22/2019

**NAN YA PLASTICS CORP. USA**  
 8989 NORTH LOOP EAST  
 HOUSTON, TX 77029

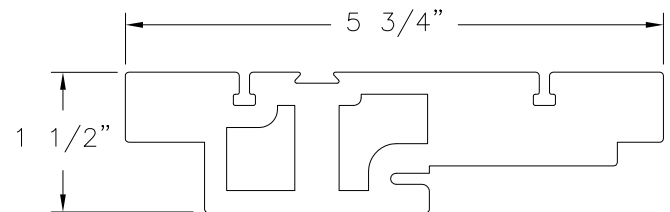
IN-SWING ENTRANCE DOOR W/SIDELITES  
 FIBERGLASS NON-IMPACT GLAZED  
 INSTALLATION DETAILS

DRAWN: A.R.	DWG NO. 08-03400	REV -
SCALE NTS	DATE 03/28/19	SHEET 12 OF 13

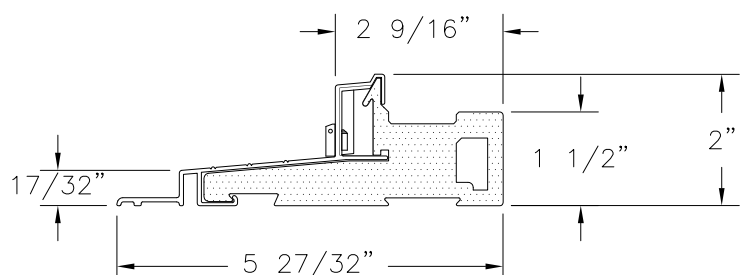
L. ROBERTO LOMAS P.E.  
 1432 WOODFORD RD LEWISVILLE, NC 27023  
 434-688-0609 rllomas@rlomaspe.com

Luis R. Lomas P.E.  
 FL No.: 62514

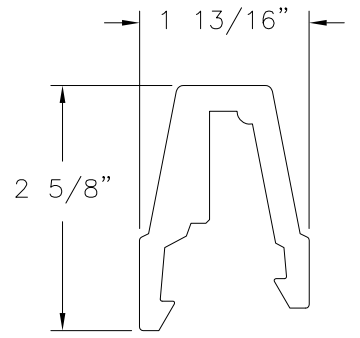
REVISIONS			
REV	DESCRIPTION	DATE	APPROVED



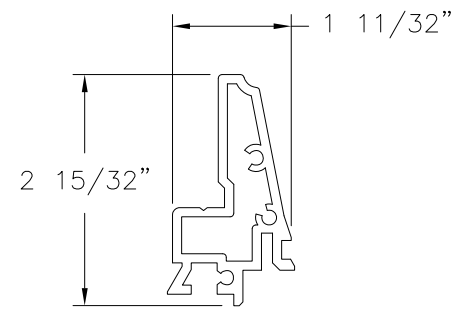
**HEAD FRAME & JAMB**  
FOAM PVC CO-EX



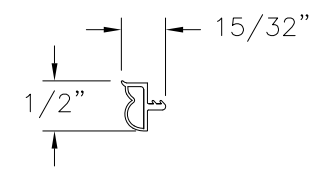
**INSWING DOOR SILL DETAIL**



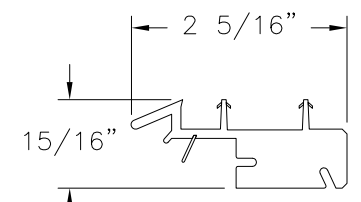
**MULLION COVER (B)**  
FOAM PVC



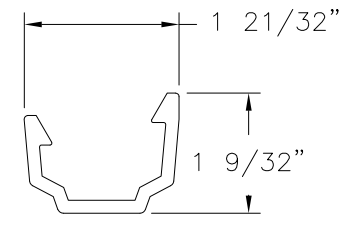
**REINFORCEMENT (B)**  
ALUMINUM



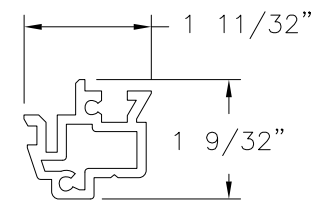
**WEATHER STRIP (C)**  
EPDM



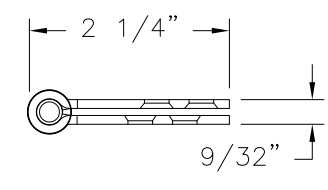
**DOOR BOTTOM**  
FOAM & RIGID PVC



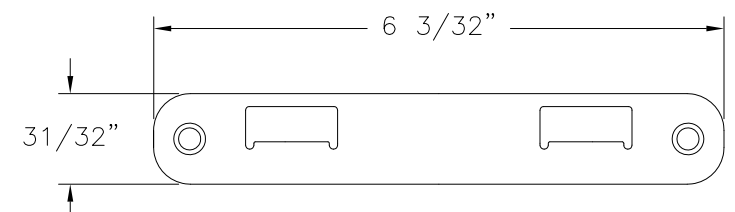
**T-ASTRAGAL (A)**  
RIGID PVC



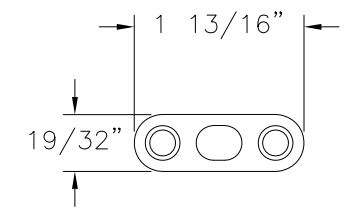
**REINFORCEMENT (A)**  
ALUMINUM



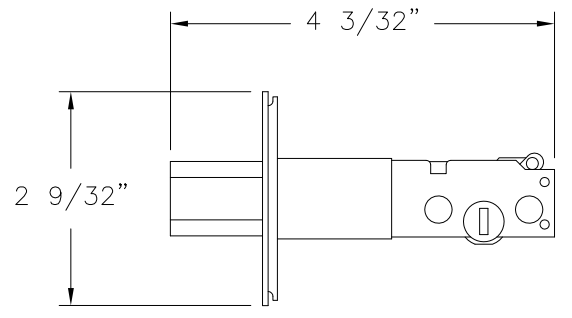
**4\"/>**



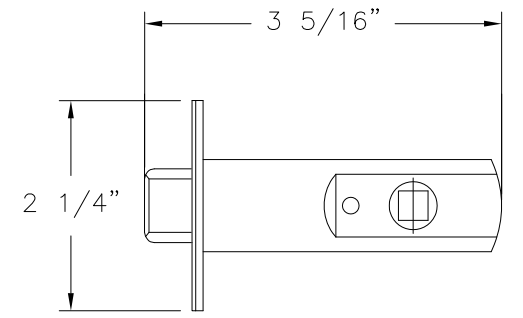
**TOP/BOTTOM BAR KEEPER**  
STAINLESS STEEL BY JAM YUAN ENTERPRISES CO., LTD.



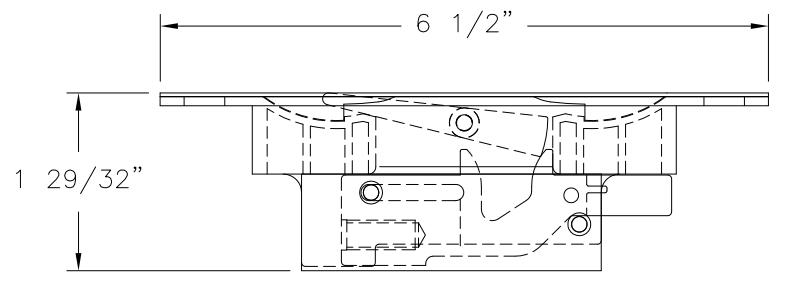
**DRIVE BAR PLATE**  
STAINLESS STEEL  
BY JAM YUAN ENTERPRISES CO., LTD.



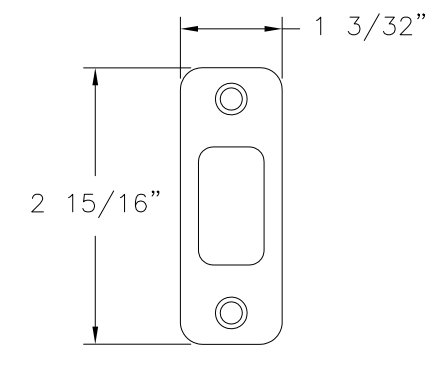
**DOOR DEADBOLT**  
STEEL (SS92Y  
BY JAM YUAN ENTERPRISES CO.,LTD)



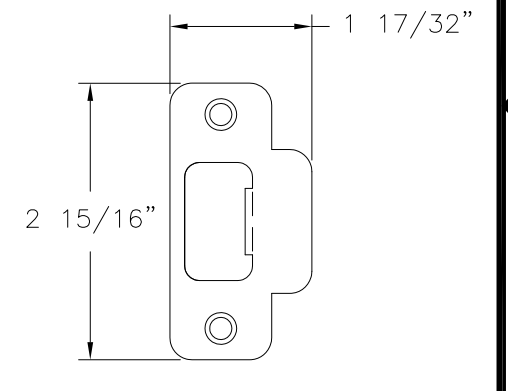
**DOOR LATCH**  
STEEL (SS92Y  
BY JAM YUAN ENTERPRISES CO.,LTD)



**FLUSH BOLT MECHANISM**  
DIE CAST, STEEL, POM (SS93X  
BY JAM YUAN ENTERPRISES CO., LTD)



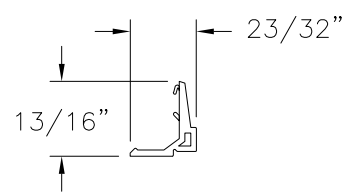
**DEADBOLT KEEPER**  
STAINLESS STEEL  
BY JAM YUAN ENTERPRISES CO., LTD



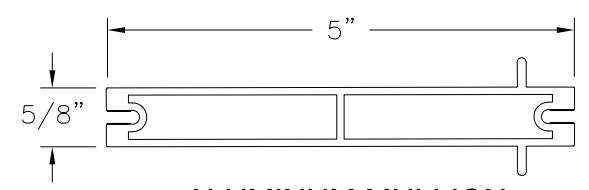
**LATCH KEEPER**  
STAINLESS STEEL  
BY JAM YUAN ENTERPRISES CO., LTD



**FLUSH BOLT BAR**  
STAINLESS STEEL  
BY JAM YUAN ENTERPRISES CO., LTD



**GLAZING BEAD**  
PVC



**ALUMINUM MULLION**  
ALUMINUM

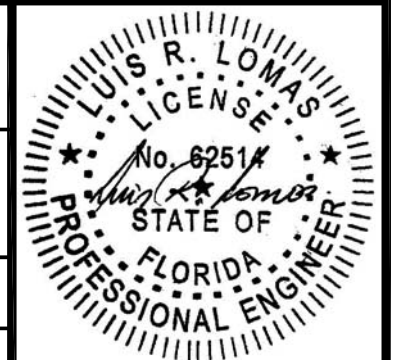
NAN YA PLASTICS CORP. USA  
8989 NORTH LOOP EAST  
HOUSTON, TX 77029

IN-SWING ENTRANCE DOOR W/SIDELITES  
FIBERGLASS NON-IMPACT GLAZED  
COMPONENTS

DRAWN: A.R.	DWG NO. 08-03400	REV -
SCALE NTS	DATE 03/28/19	SHEET 13 OF 13

L. ROBERTO LOMAS P.E.  
1432 WOODFORD RD LEWISVILLE, NC 27023  
434-688-0609 rllomas@rlomaspe.com

SIGNED: 04/22/2019



Luis R. Lomas P.E.  
FL No.: 62514