

REVISIONS			
REV	DESCRIPTION	DATE	APPROVED

NOTES:

1. THE PRODUCT SHOWN HEREIN IS DESIGNED AND MANUFACTURED TO COMPLY WITH REQUIREMENTS OF THE FLORIDA BUILDING CODE.
2. WOOD FRAMING AND MASONRY OPENING TO BE DESIGNED AND ANCHORED TO PROPERLY TRANSFER ALL LOADS TO STRUCTURE. FRAMING AND MASONRY OPENING IS THE RESPONSIBILITY OF THE ARCHITECT OR ENGINEER OF RECORD.
3. 1X BUCK OVER MASONRY/CONCRETE IS OPTIONAL.
4. WHERE SHIM OR BUCK THICKNESS IS LESS THAN 1-1/2" UNITS MUST BE ANCHORED THROUGH THE FRAME IN ACCORDANCE WITH MANUFACTURER'S PUBLISHED INSTALLATION INSTRUCTIONS. ANCHORS SHALL BE SECURELY FASTENED DIRECTLY INTO MASONRY, CONCRETE OR OTHER STRUCTURAL SUBSTRATE MATERIAL.
5. WHERE WOOD BUCK THICKNESS IS 1-1/2" OR GREATER, BUCK SHALL BE SECURELY FASTENED TO MASONRY, CONCRETE OR OTHER STRUCTURAL SUBSTRATE. UNITS MAY BE ANCHORED THROUGH FRAME TO SECURED WOOD BUCK IN ACCORDANCE WITH MANUFACTURER'S PUBLISHED INSTALLATION INSTRUCTIONS.
6. WHERE 1X BUCK IS NOT USED DISSIMILAR MATERIALS MUST BE SEPARATED WITH APPROVED COATING OR MEMBRANE. SELECTION OF COATING OR MEMBRANE IS THE RESPONSIBILITY OF THE ARCHITECT OR ENGINEER OF RECORD.
7. BUCKS SHALL EXTEND BEYOND UNIT FRAME INTERIOR FACE SO THAT FULL FRAME SUPPORT IS PROVIDED.
8. SHIM AS REQUIRED AT EACH ANCHOR LOCATION WITH LOAD BEARING SHIM. SHIM WHERE SPACE OF 1/16" OR GREATER OCCURS. MAXIMUM ALLOWABLE SHIM STACK TO BE 1/4".
9. SHIMS SHALL BE LOCATED, APPLIED AND MADE FROM MATERIALS AND THICKNESS CAPABLE OF SUSTAINING APPLICABLE LOADS.
10. WIND LOAD DURATION FACTOR Cd=1.6 WAS USED FOR WOOD ANCHOR CALCULATIONS.
11. FRAME JAMB AND HEAD MATERIAL: CO-EXTRUDED PVC FOAM 1 1/2" THICK.
12. FRAME SILL MATERIAL: CO-EXTRUDED PVC FOAM 2" THICK WITH ALUMINUM CLADDING .063" THICK.
13. DOOR PANEL AND SIDELITE MATERIAL: .075" THICK FIBERGLASS SKIN WITH PVC FOAM TOP AND BOTTOM RAILS, AND PVC FOAM VERTICAL STILES WITH PINE REINFORCEMENTS AND POLYURETHANE FOAM CORE.
14. UNITS MUST BE GLAZED PER ASTM E1300-04/09, WITH SAFETY GLAZING.
15. APPROVED IMPACT PROTECTIVE SYSTEM IS REQUIRED FOR THIS PRODUCT IN WIND BORNE DEBRIS REGIONS.
16. FOR ANCHORING THROUGH FRAME INTO WOOD FRAMING OR 2X BUCK USE #10 WOOD SCREWS WITH SUFFICIENT LENGTH TO ACHIEVE A 1 1/4" MINIMUM EMBEDMENT INTO SUBSTRATE. LOCATE ANCHORS AS SHOWN IN ELEVATIONS AND INSTALLATION DETAILS.
17. FOR ANCHORING THROUGH FRAME INTO MASONRY/CONCRETE USE 3/16" TAPCON WITH SUFFICIENT LENGTH TO ACHIEVE A 1 1/4" MINIMUM EMBEDMENT INTO SUBSTRATE WITH 2" MINIMUM EDGE DISTANCE. LOCATE ANCHORS AS SHOWN IN ELEVATIONS AND INSTALLATION DETAILS.
18. FOR ANCHORING THROUGH FRAME INTO METAL STRUCTURE USE #10 SMS OR SELF DRILLING SCREWS WITH SUFFICIENT LENGTH TO ACHIEVE 3 THREADS MINIMUM BEYOND STRUCTURE INTERIOR WALL. LOCATE ANCHORS AS SHOWN IN ELEVATIONS AND INSTALLATION DETAILS.
19. ALL FASTENERS TO BE CORROSION RESISTANT.
20. INSTALLATION ANCHORS SHALL BE INSTALLED IN ACCORDANCE WITH ANCHOR MANUFACTURER'S INSTALLATION INSTRUCTIONS AND ANCHORS SHALL NOT BE USED IN SUBSTRATES WITH STRENGTHS LESS THAN THE MINIMUM STRENGTH SPECIFIED BELOW:
 - A. WOOD: MINIMUM SPECIFIC GRAVITY OF G=0.42
 - B. CONCRETE: MINIMUM COMPRESSIVE STRENGTH OF 2,000 PSI.
 - C. MASONRY: HOLLOW/FILLED BLOCK PER ASTM C90 WITH Fm=2,000PSI MINIMUM.
 - D. METAL STRUCTURE: STEEL 18GA (.048") FY=33KSI/FU=52KSI OR ALUMINUM 6063-T5 FU=30KSI .075" THICK MINIMUM
21. APPROVED CONFIGURATIONS: O, X, OX, XO, XX, OXO, XXO, OXX AND OXXO. SEE SHEET 3.
22. HINGES LOCATED AT 9", 34 1/2", 60" AND 85 5/8" FROM BOTTOM OF PANEL.

TABLE OF CONTENTS	
SHEET NO.	DESCRIPTION
1	NOTES
2	ELEVATION
3	APPROVED CONFIGURATIONS
4 - 5	ANCHORING LAYOUTS
6 - 12	INSTALLATION DETAILS
13	COMPONENTS

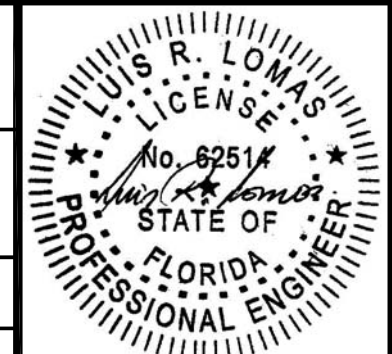
NAN YA PLASTICS CORP. USA
8989 NORTH LOOP EAST
HOUSTON, TX 77029

OUT-SWING PATIO DOOR W/SIDELITES
FIBERGLASS GLAZED NON-IMPACT
NOTES

DRAWN: A.R.	DWG NO. 08-03402	REV -
SCALE NTS	DATE 04/01/19	SHEET 1 OF 13

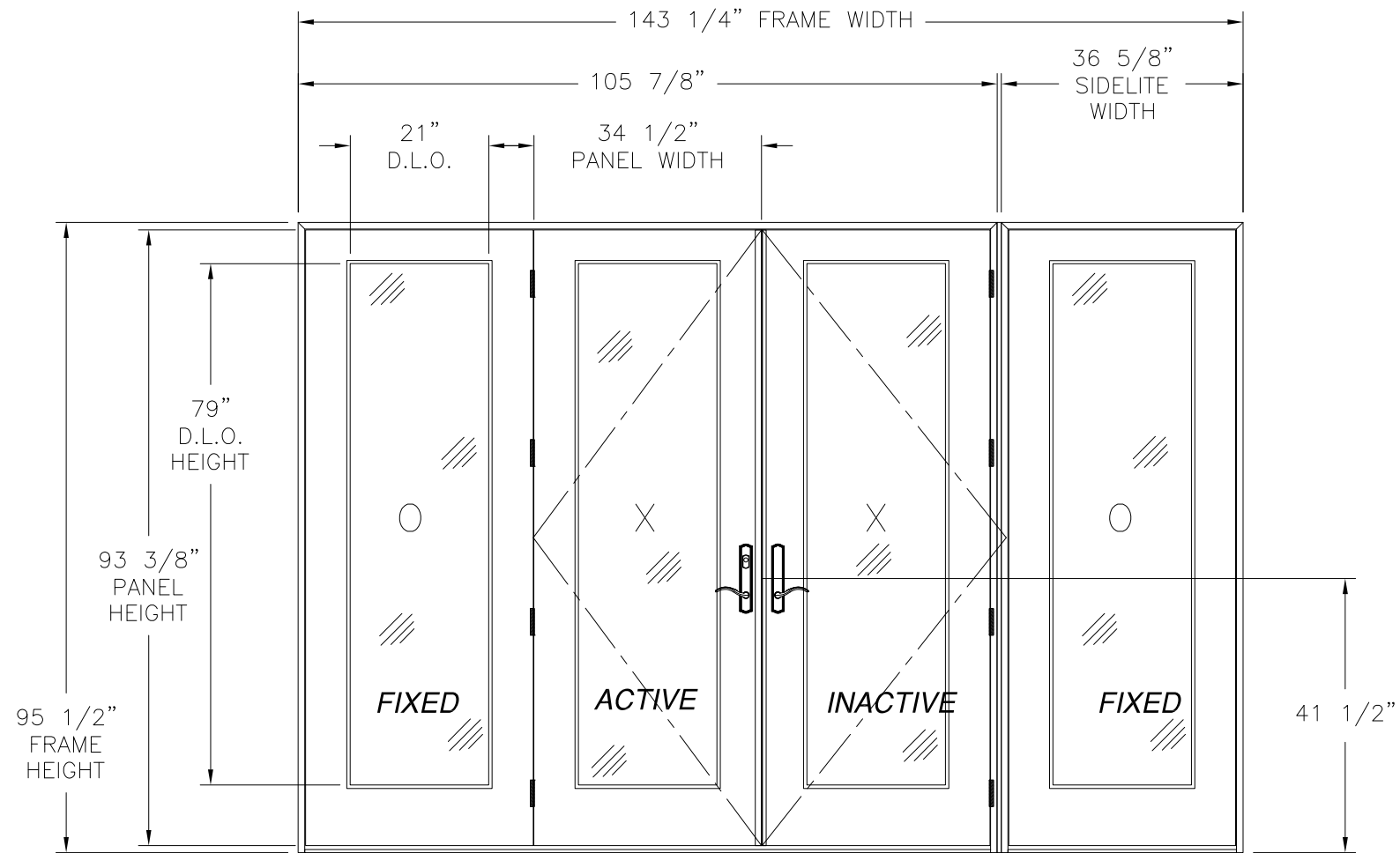
L. ROBERTO LOMAS P.E.
1432 WOODFORD RD LEWISVILLE, NC 27023
434-688-0609 rllomas@rlomaspe.com

SIGNED: 04/22/2019



Luis R. Lomas P.E.
FL No.: 62514

REVISIONS			
REV	DESCRIPTION	DATE	APPROVED



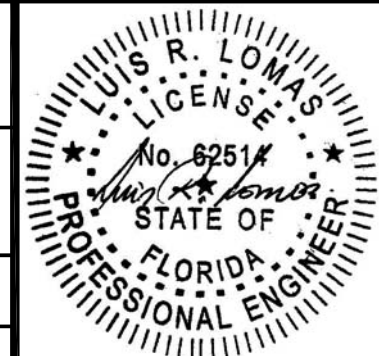
OUT-SWING PATIO DOUBLE DOOR W/ SIDELITES
EXTERIOR VIEW

DESIGN PRESSURE RATING	IMPACT RATING
±65.0PSF	NONE

34 1/2" X 93 3/8" PANELS SHOWN. OTHER PANEL SIZES ARE APPROVED AS LONG AS PANEL AREA DOES NOT EXCEED 22.37 FT²

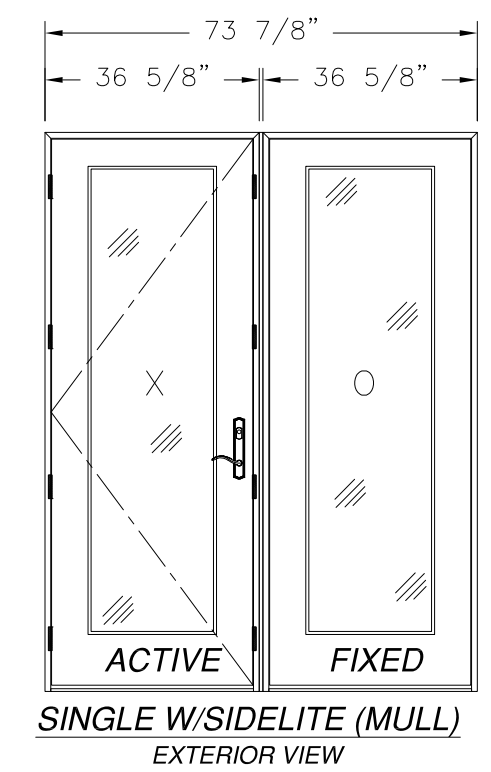
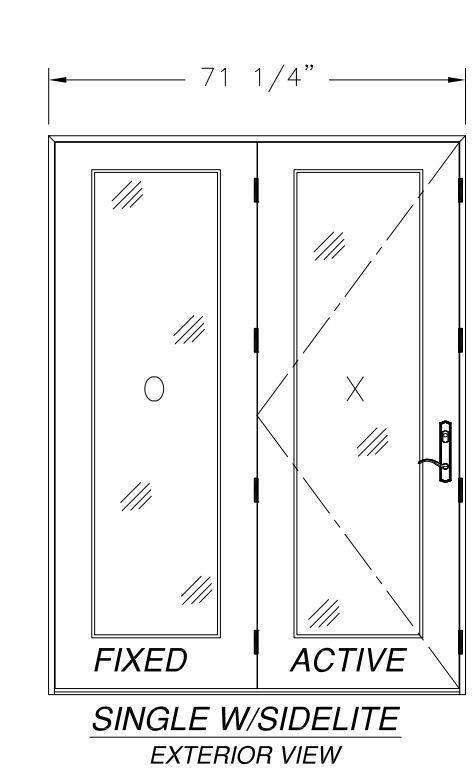
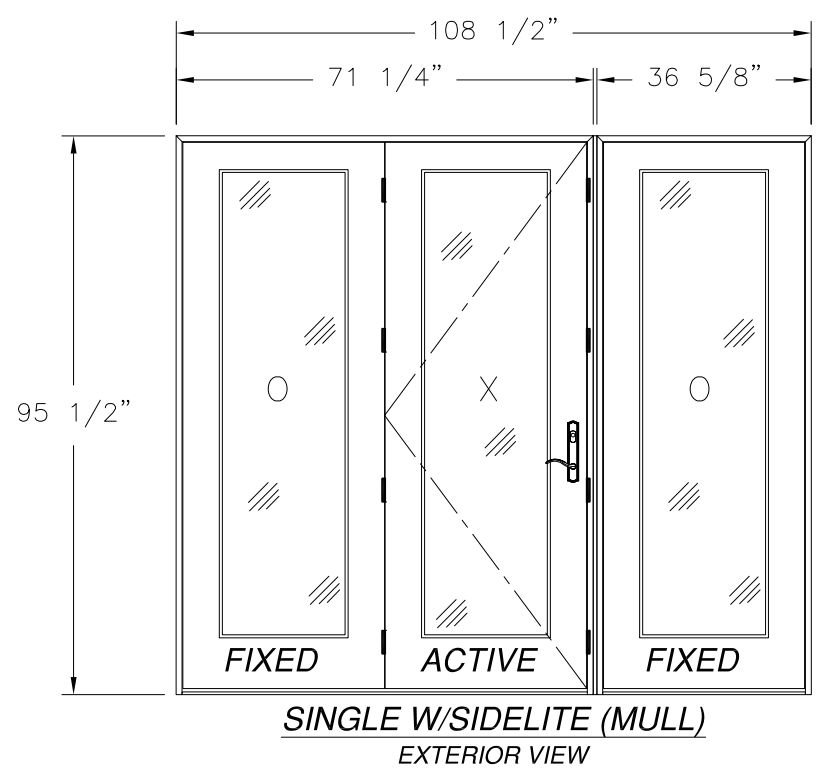
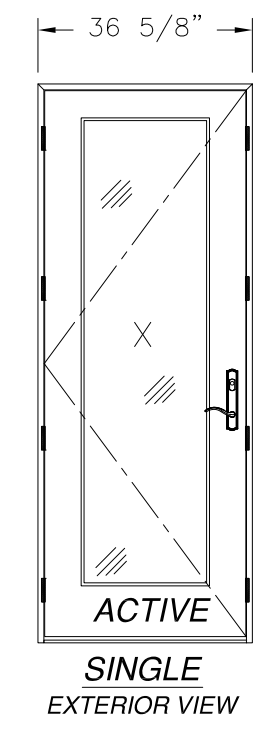
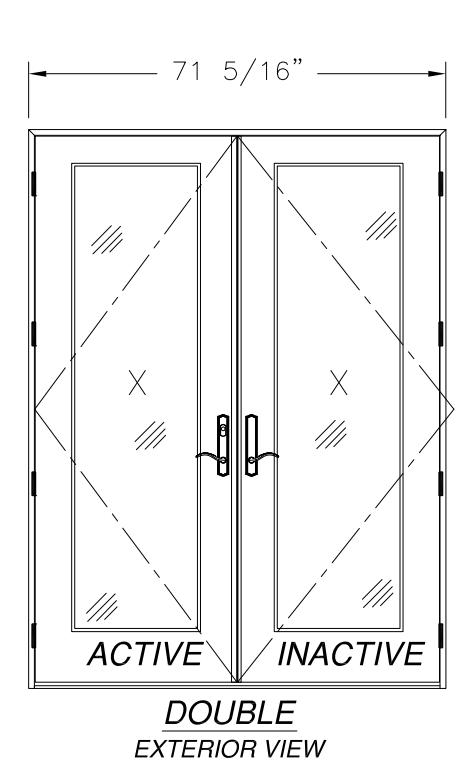
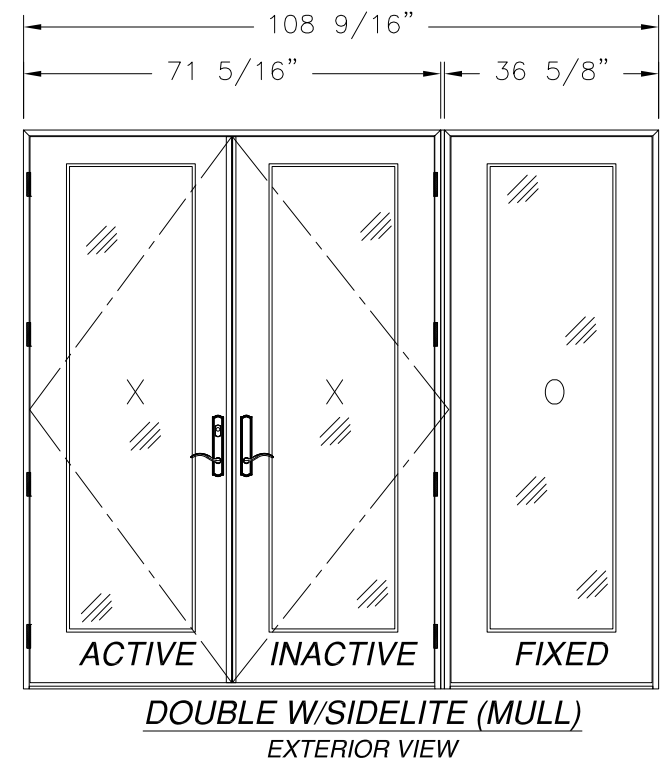
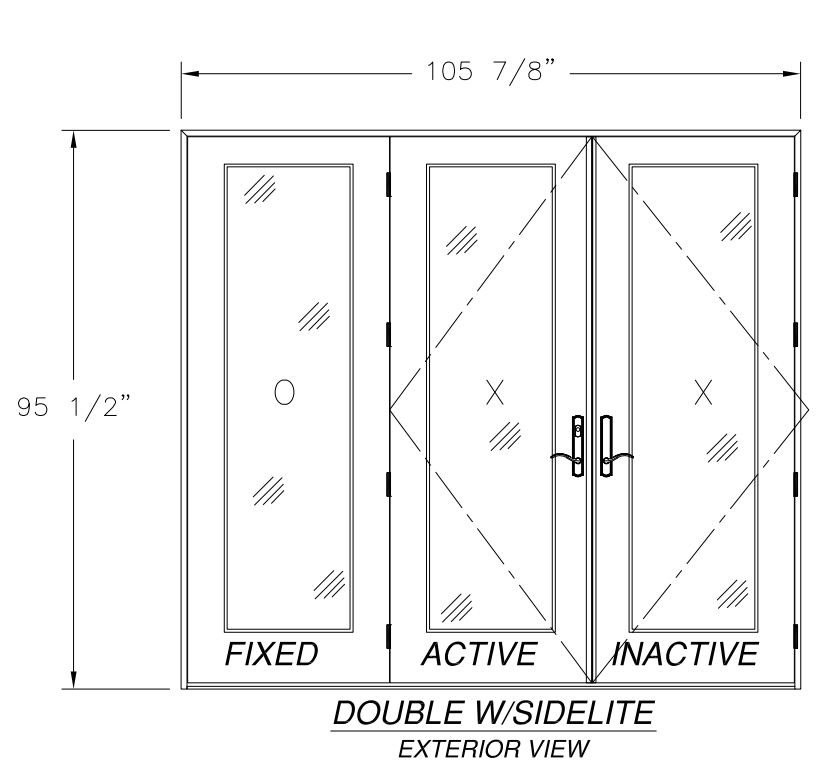
SIGNED: 04/22/2019

NAN YA PLASTICS CORP. USA 8989 NORTH LOOP EAST HOUSTON, TX 77029		
OUT-SWING PATIO DOOR W/SIDELITES FIBERGLASS GLAZED NON-IMPACT ELEVATION 2		
DRAWN: A.R.	DWG NO. 08-03402	REV -
SCALE NTS	DATE 04/01/19	SHEET 1 OF 13
L. ROBERTO LOMAS P.E. 1432 WOODFORD RD LEWISVILLE, NC 27023 434-688-0609 rllomas@lrlomaspe.com		



Luis R. Lomas P.E.
FL No.: 62514

REVISIONS			
REV	DESCRIPTION	DATE	APPROVED



NOTE:
ALL APPROVED CONFIGURATIONS ARE SHOWN AS LEFT HAND ACTIVE, RIGHT HAND ACTIVE IS ALSO APPROVED.

HARDWARE SCHEDULE	
A.	(3) 4" BUTT HINGE
B.	3 POINT LOCK SYSTEM (ACTIVE PANEL)
C.	RIGID PVC ASTRAGAL WITH ALUMINUM REINFORCEMENT

NAN YA PLASTICS CORP. USA
8989 NORTH LOOP EAST
HOUSTON, TX 77029

OUT-SWING PATIO DOOR W/SIDELITES
FIBERGLASS GLAZED NON-IMPACT
APPROVED CONFIGURATIONS

DRAWN: A.R.	DWG NO. 08-03402	REV -
SCALE NTS	DATE 04/01/19	SHEET 3 OF 13

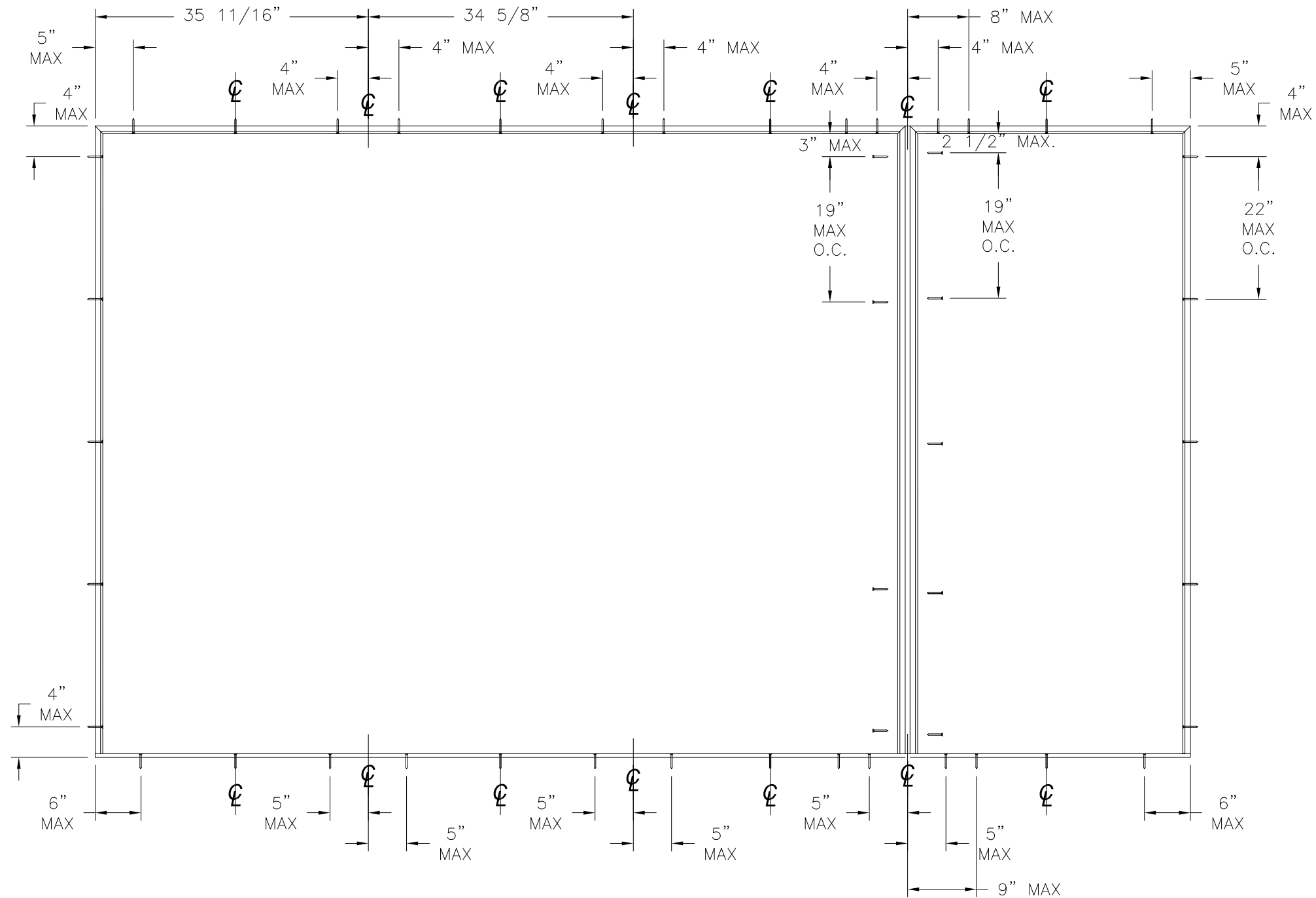
L. ROBERTO LOMAS P.E.
1432 WOODFORD RD LEWISVILLE, NC 27023
434-688-0609 rllomas@lrlomaspe.com

SIGNED: 04/22/2019



Luis R. Lomas P.E.
FL No.: 62514

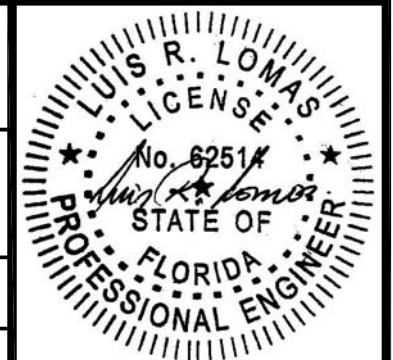
REVISIONS			
REV	DESCRIPTION	DATE	APPROVED



ANCHORING LAYOUT

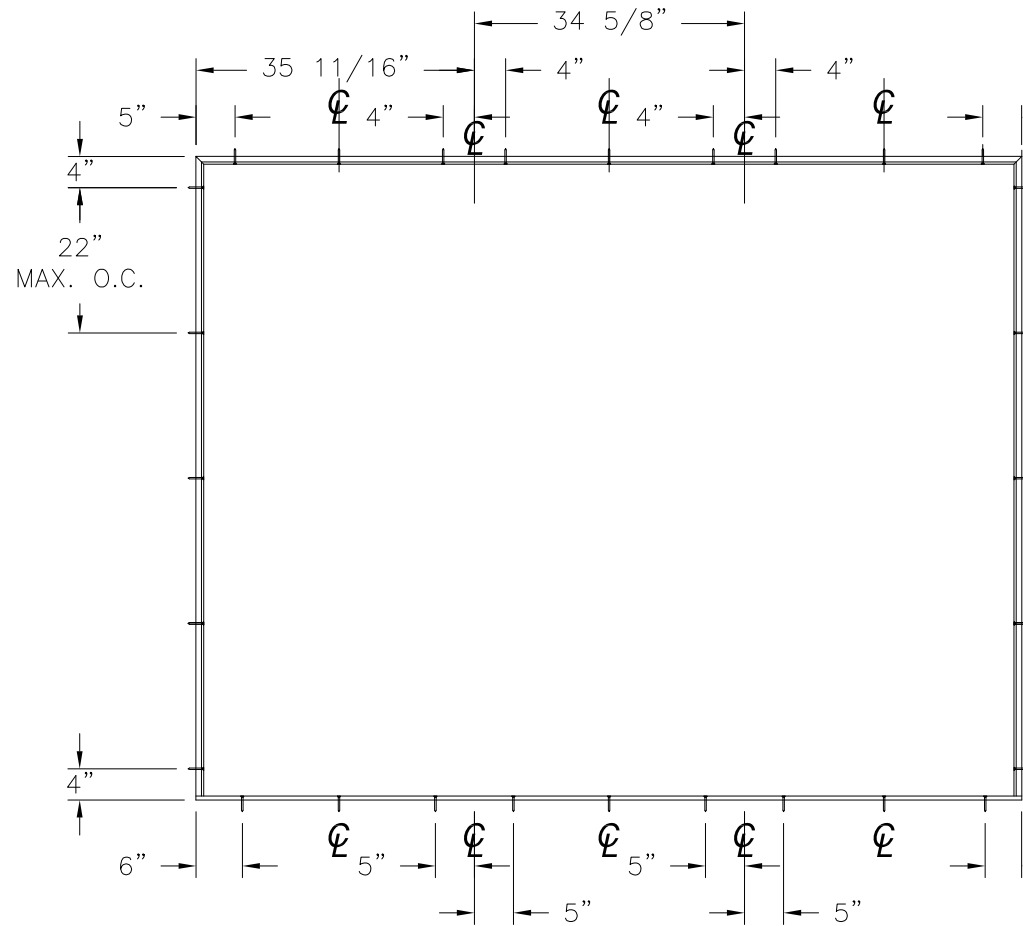
SIGNED: 04/22/2019

<p>NAN YA PLASTICS CORP. USA 8989 NORTH LOOP EAST HOUSTON, TX 77029</p>		
<p>OUT-SWING PATIO DOOR W/SIDELITES FIBERGLASS GLAZED NON-IMPACT ANCHORING LAYOUT</p>		
<p>DRAWN: A.R.</p>	<p>DWG NO. 08-03402</p>	<p>REV -</p>
<p>SCALE NTS</p>	<p>DATE 04/01/19</p>	<p>SHEET 4 OF 13</p>
<p>L. ROBERTO LOMAS P.E. 1432 WOODFORD RD LEWISVILLE, NC 27023 434-688-0609 rllomas@lrlomaspe.com</p>		

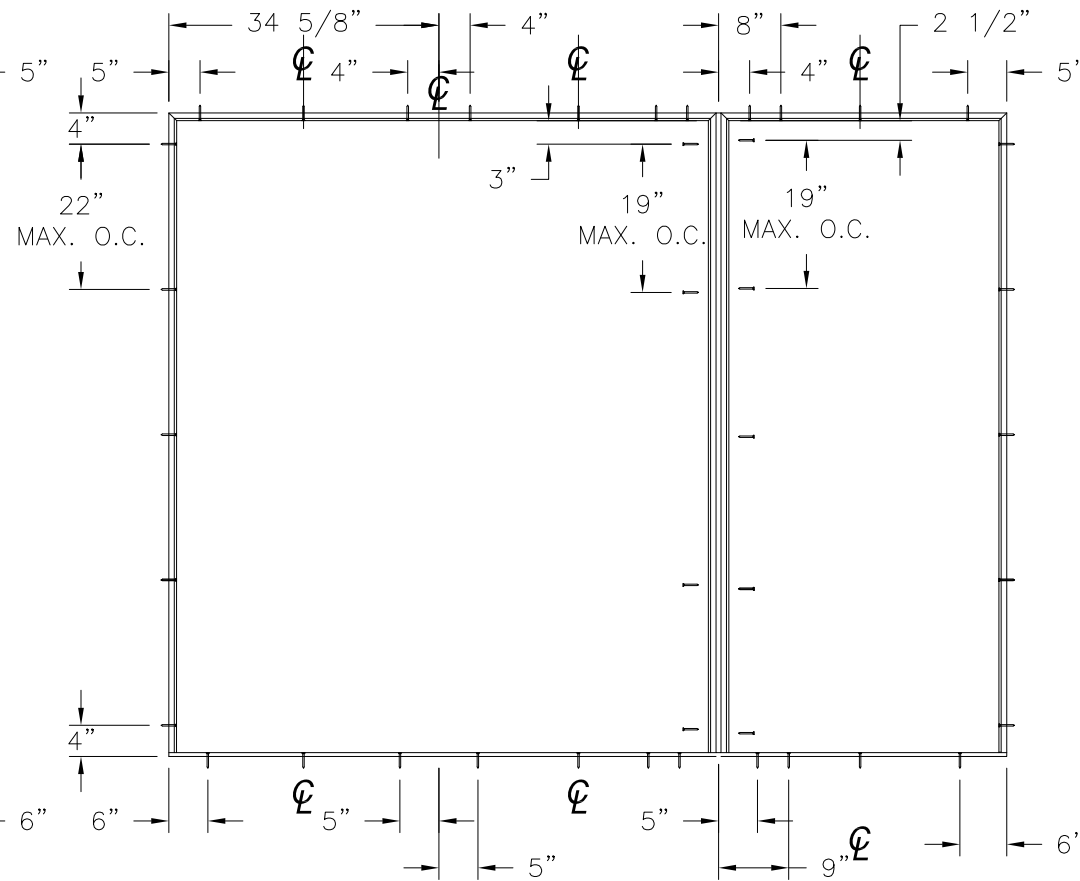


Luis R. Lomas P.E.
 FL No.: 62514

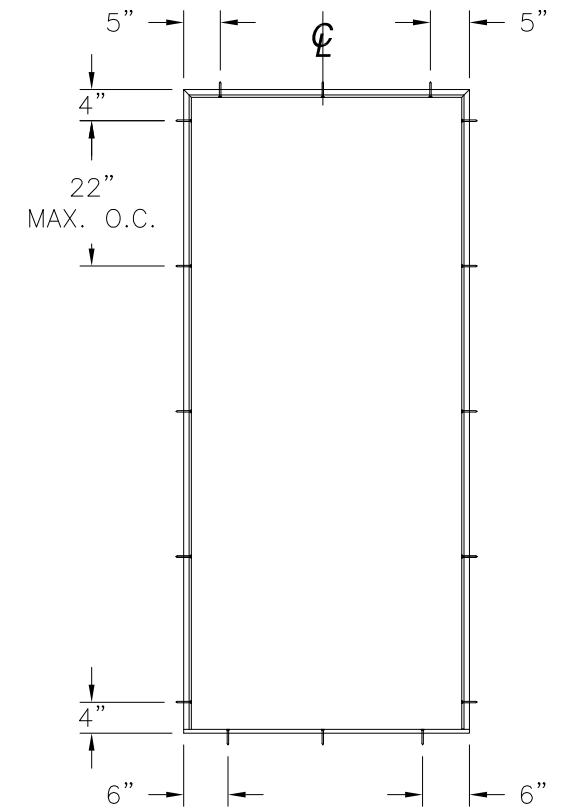
REVISIONS			
REV	DESCRIPTION	DATE	APPROVED



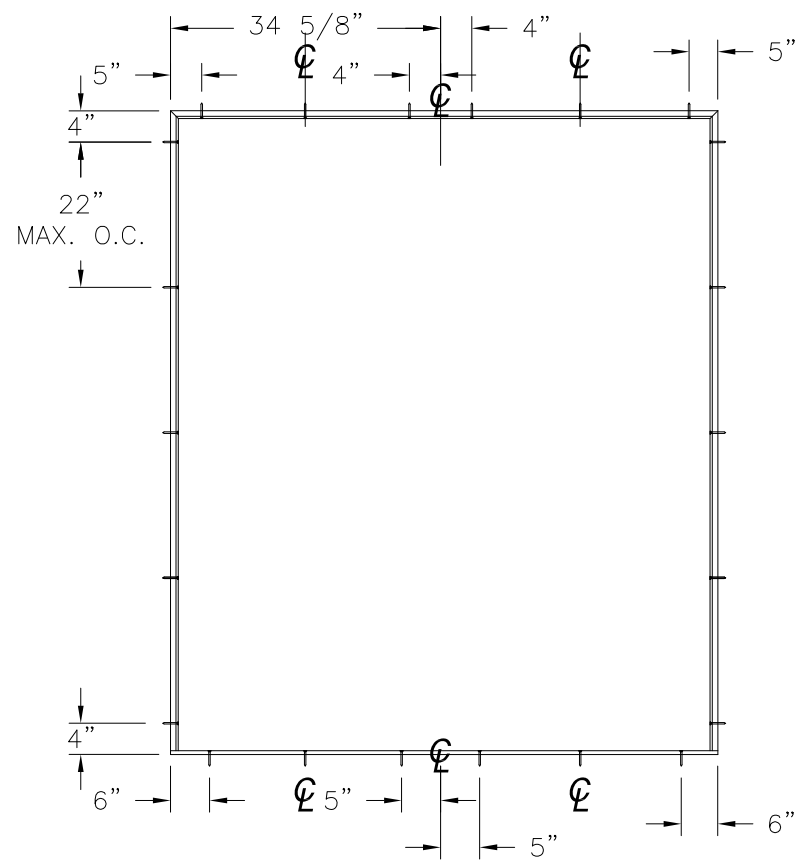
ANCHORING LAYOUT FOR OXO, XXO AND OXX



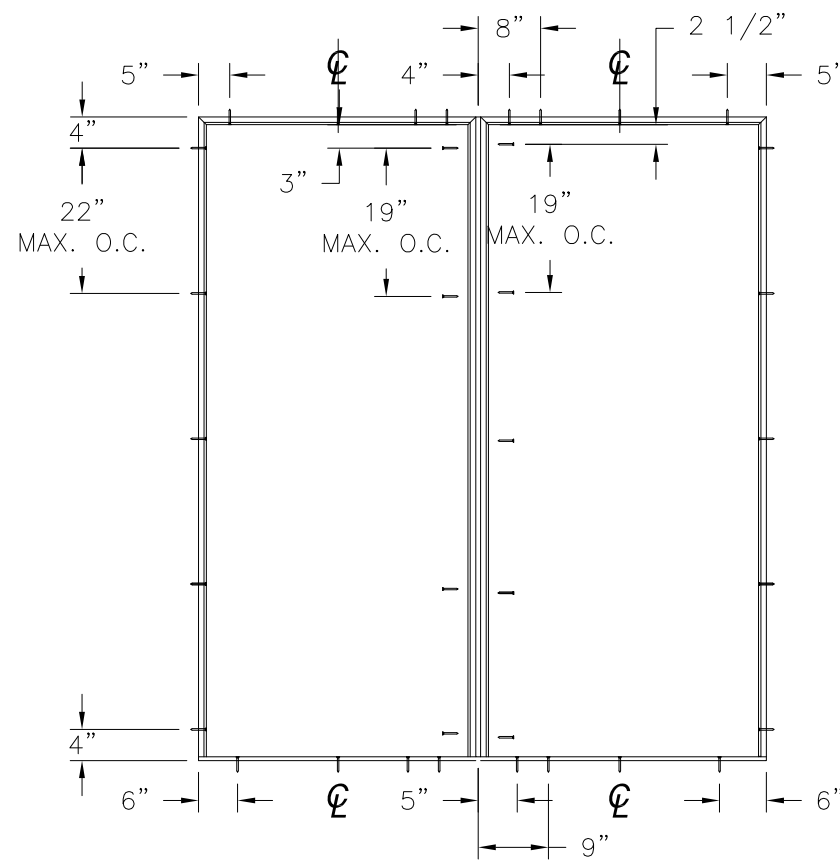
ANCHORING LAYOUT FOR OXO, XXO AND OXX (MULL)



ANCHORING LAYOUT FOR X



ANCHORING LAYOUT FOR XX, OX AND XO



ANCHORING LAYOUT FOR OX AND XO (MULL)

NAN YA PLASTICS CORP. USA
 8989 NORTH LOOP EAST
 HOUSTON, TX 77029

OUT-SWING PATIO DOOR W/SIDELITES
 FIBERGLASS GLAZED NON-IMPACT
 ANCHORING LAYOUTS

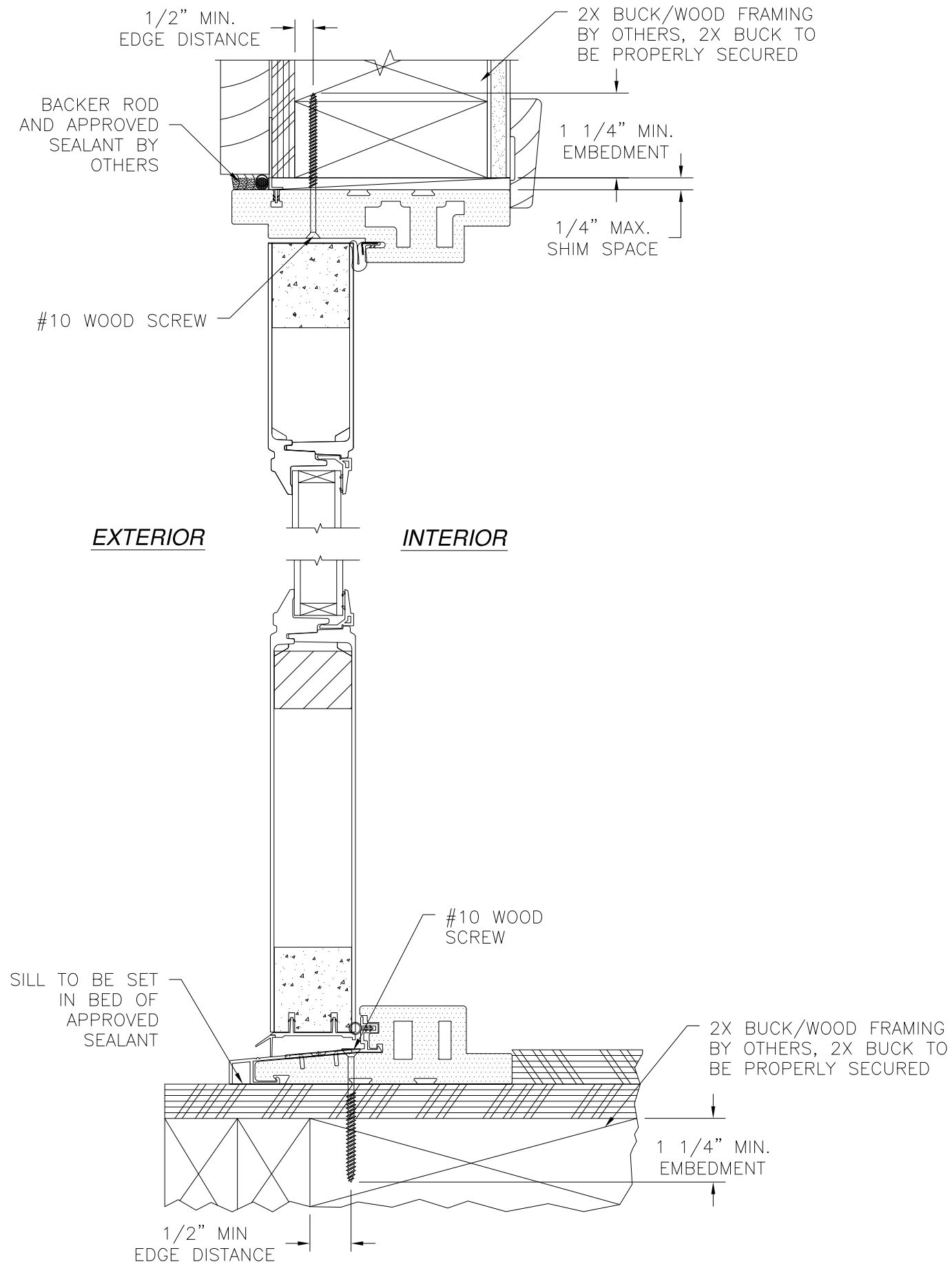
DRAWN: A.R.	DWG NO. 08-03402	REV -
SCALE NTS	DATE 04/01/19	SHEET 5 OF 13

L. ROBERTO LOMAS P.E.
 1432 WOODFORD RD LEWISVILLE, NC 27023
 434-688-0609 rllomas@rlomaspe.com

SIGNED: 04/22/2019

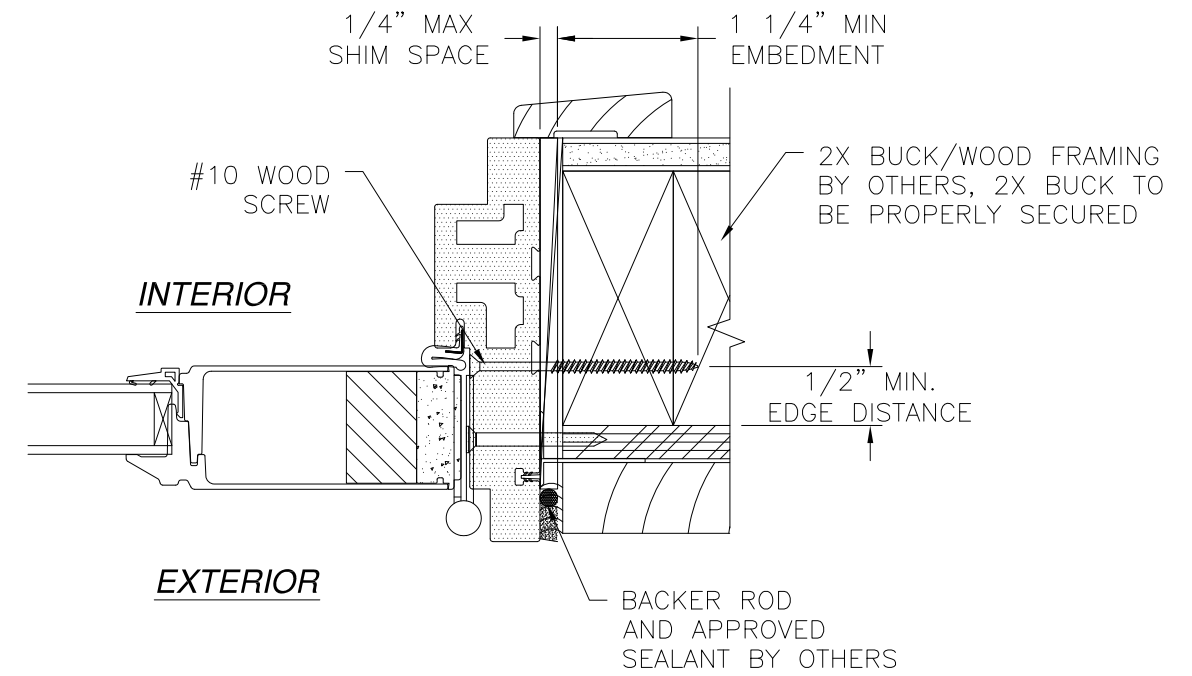


Luis R. Lomas P.E.
 FL No.: 62514



DOOR VERTICAL CROSS SECTION
2X BUCK/WOOD FRAMING INSTALLATION

REVISIONS			
REV	DESCRIPTION	DATE	APPROVED

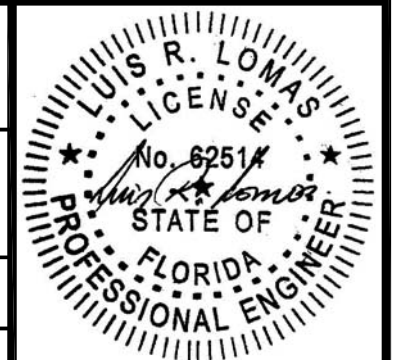


DOOR HORIZONTAL CROSS SECTION
2X BUCK/WOOD FRAMING INSTALLATION

- NOTES:**
1. INTERIOR AND EXTERIOR FINISHES, BY OTHERS, NOT SHOWN FOR CLARITY.
 2. PERIMETER AND JOINT SEALANT BY OTHERS TO BE DESIGNED IN ACCORDANCE WITH ASTM E2112

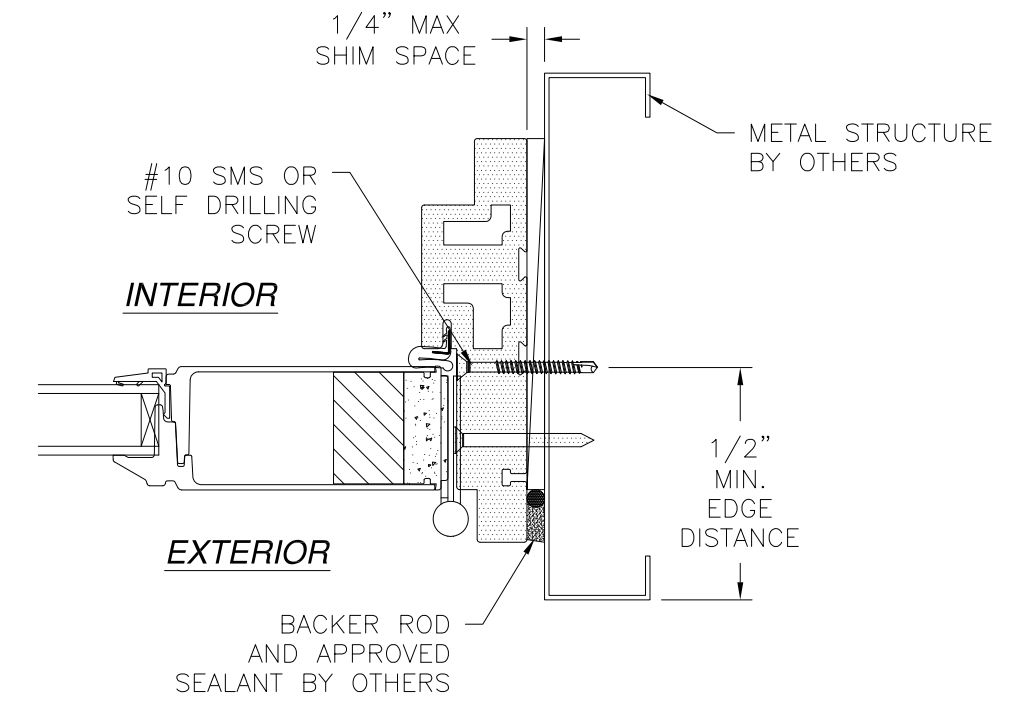
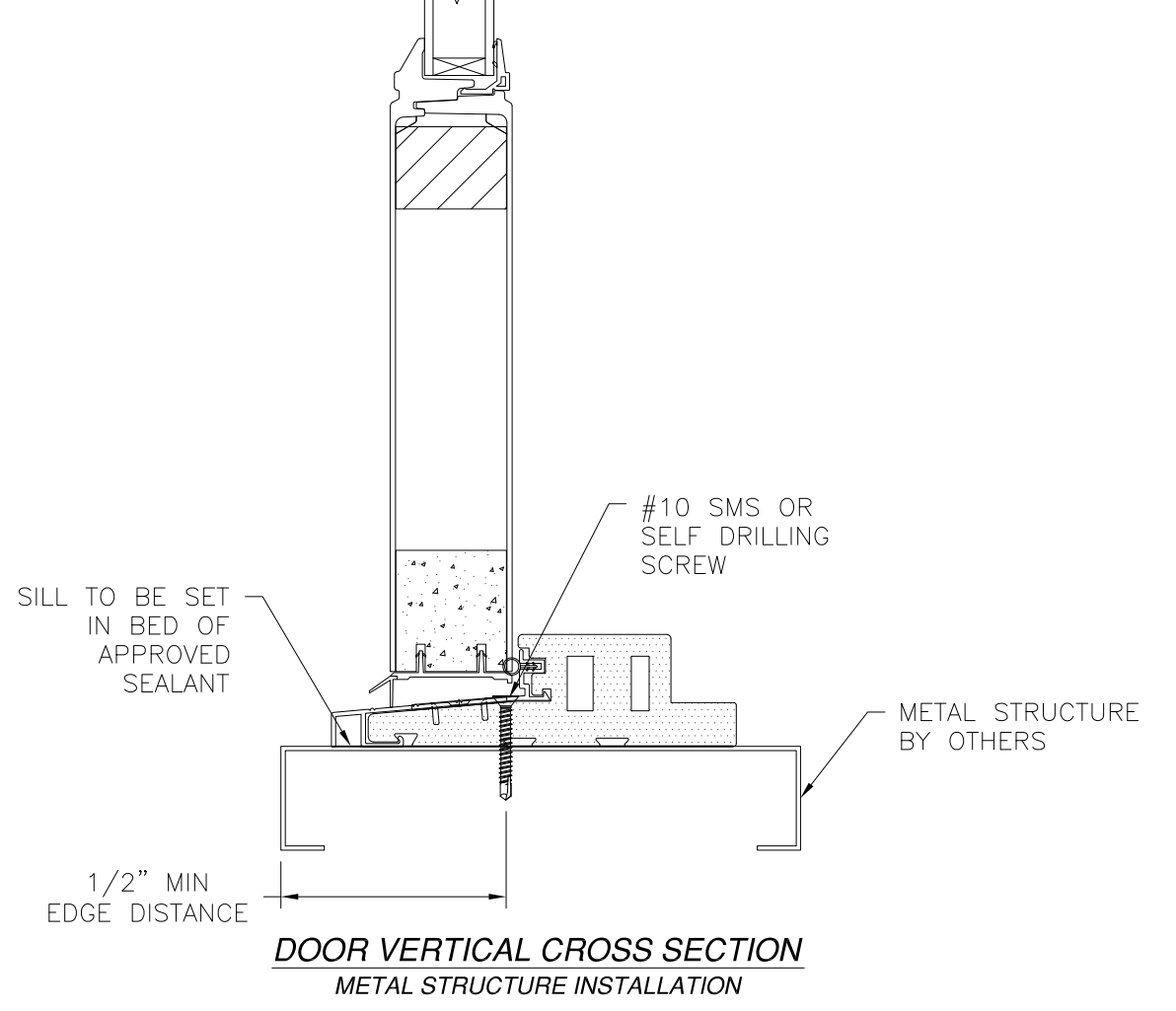
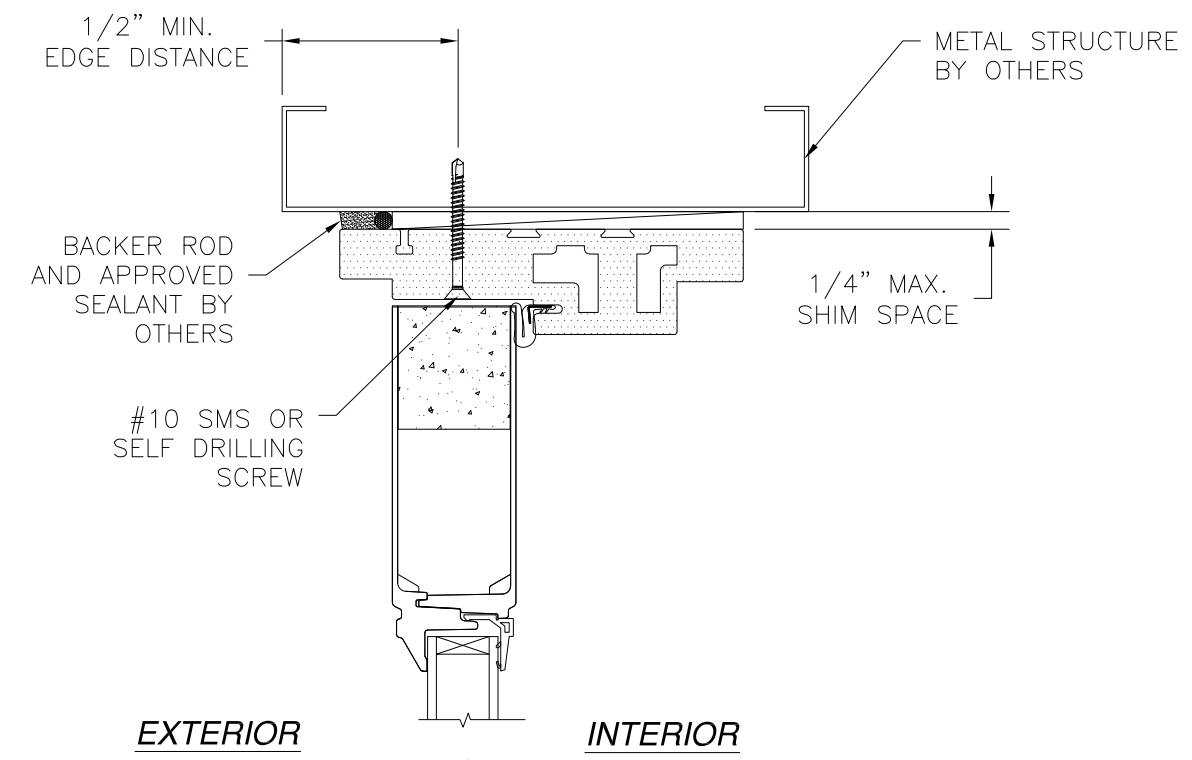
SIGNED: 04/22/2019

NAN YA PLASTICS CORP. USA 8989 NORTH LOOP EAST HOUSTON, TX 77029		
OUT-SWING PATIO DOOR W/SIDELITES FIBERGLASS GLAZED NON-IMPACT DOOR INSTALLATION DETAILS		
DRAWN: A.R.	DWG NO. 08-03402	REV -
SCALE NTS	DATE 04/01/19	SHEET 6 OF 13
L. ROBERTO LOMAS P.E. 1432 WOODFORD RD LEWISVILLE, NC 27023 434-688-0609 rllomas@rlomaspe.com		



Luis R. Lomas P.E.
FL No.: 62514

REVISIONS			
REV	DESCRIPTION	DATE	APPROVED



DOOR HORIZONTAL CROSS SECTION
METAL STRUCTURE INSTALLATION

- NOTES:**
1. INTERIOR AND EXTERIOR FINISHES, BY OTHERS, NOT SHOWN FOR CLARITY.
 2. PERIMETER AND JOINT SEALANT BY OTHERS TO BE DESIGNED IN ACCORDANCE WITH ASTM E2112

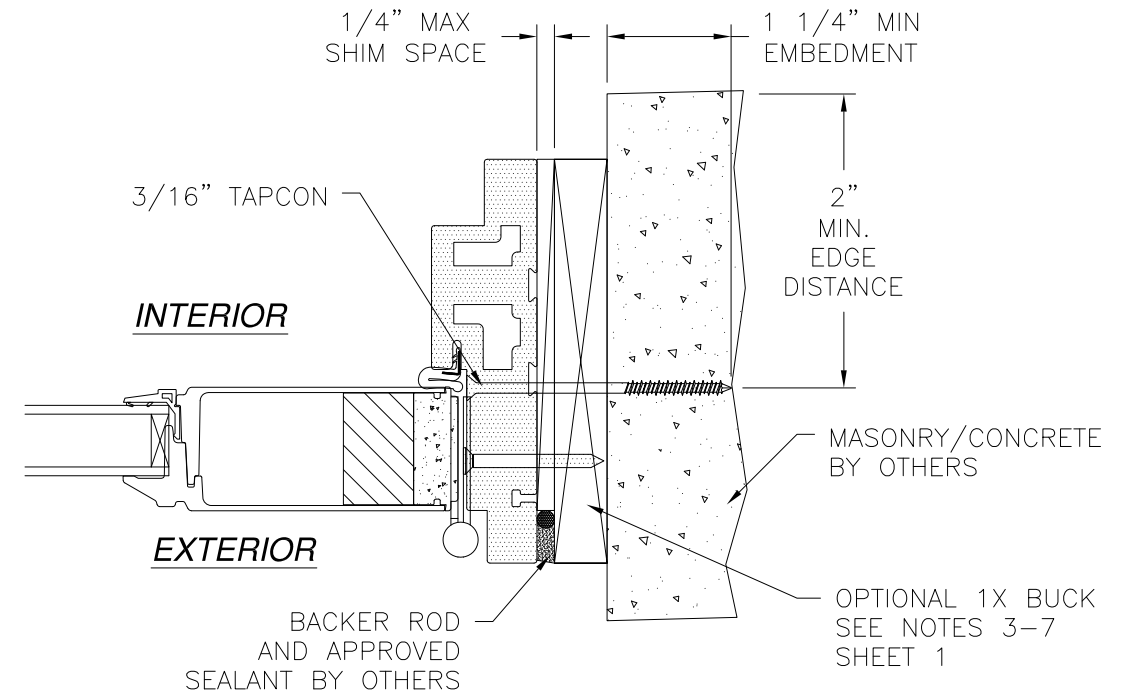
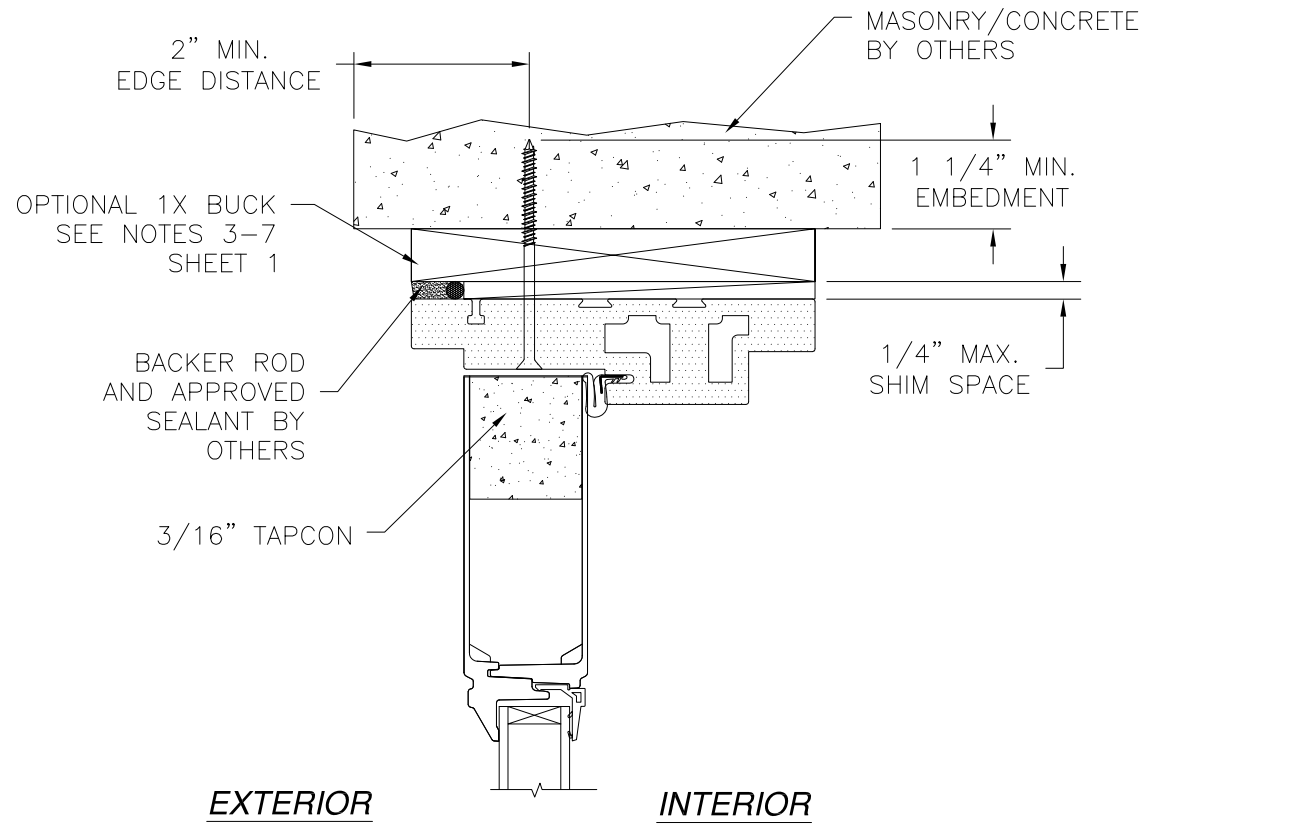
SIGNED: 04/22/2019

<p>NAN YA PLASTICS CORP. USA 8989 NORTH LOOP EAST HOUSTON, TX 77029</p>		
<p>OUT-SWING PATIO DOOR W/SIDELITES FIBERGLASS GLAZED NON-IMPACT DOOR INSTALLATION DETAILS</p>		
DRAWN: A.R.	DWG NO. 08-03402	REV -
SCALE NTS	DATE 04/01/19	SHEET 7 OF 13
<p>L. ROBERTO LOMAS P.E. 1432 WOODFORD RD LEWISVILLE, NC 27023 434-688-0609 rllomas@rlomaspe.com</p>		

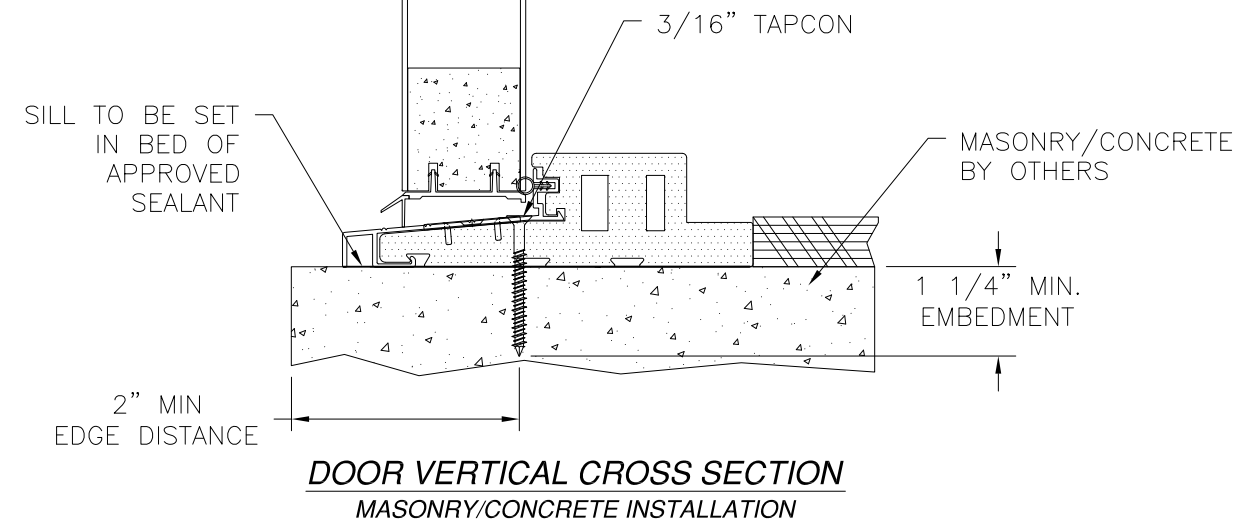


Luis R. Lomas P.E.
FL No.: 62514

REVISIONS			
REV	DESCRIPTION	DATE	APPROVED



DOOR HORIZONTAL CROSS SECTION
MASONRY/CONCRETE INSTALLATION

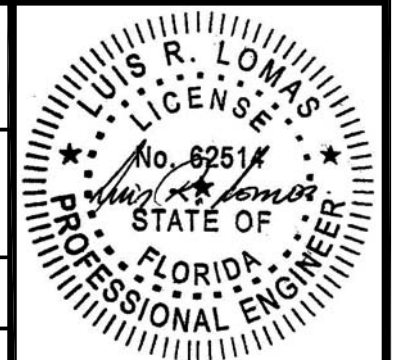


DOOR VERTICAL CROSS SECTION
MASONRY/CONCRETE INSTALLATION

- NOTES:**
1. INTERIOR AND EXTERIOR FINISHES, BY OTHERS, NOT SHOWN FOR CLARITY.
 2. PERIMETER AND JOINT SEALANT BY OTHERS TO BE DESIGNED IN ACCORDANCE WITH ASTM E2112

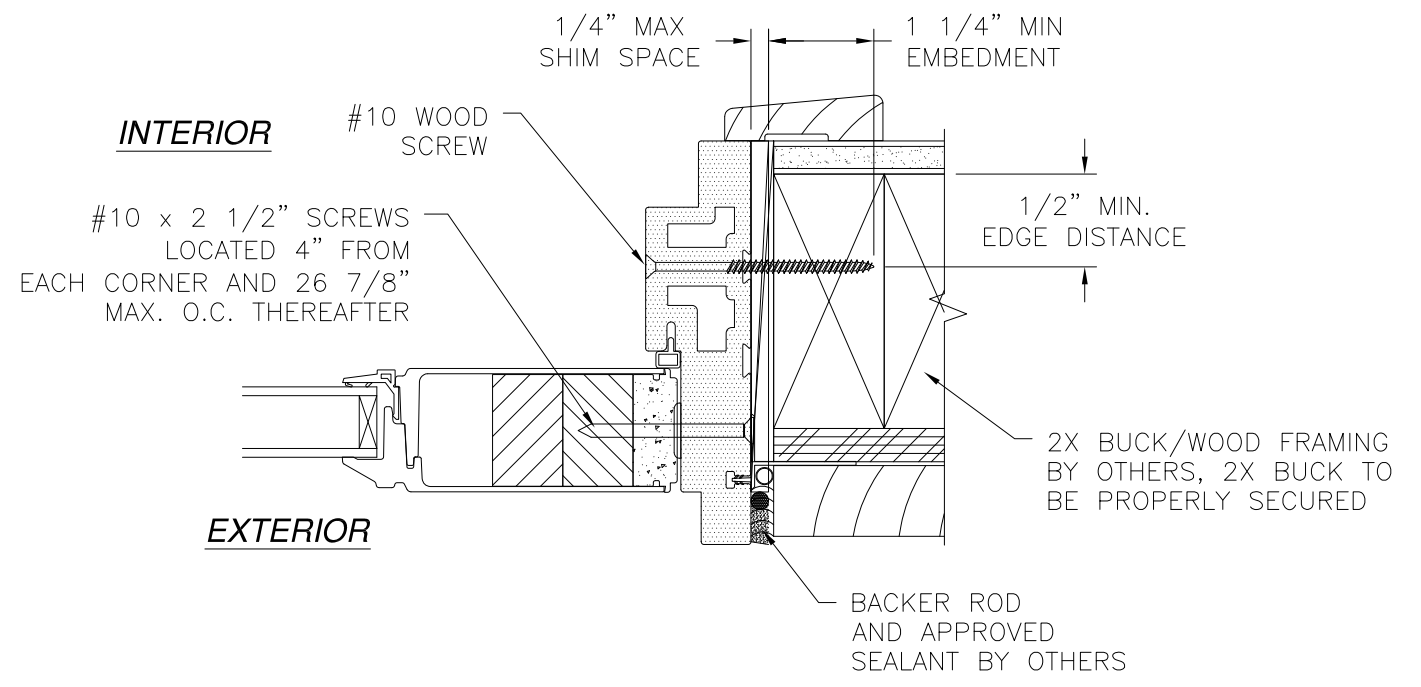
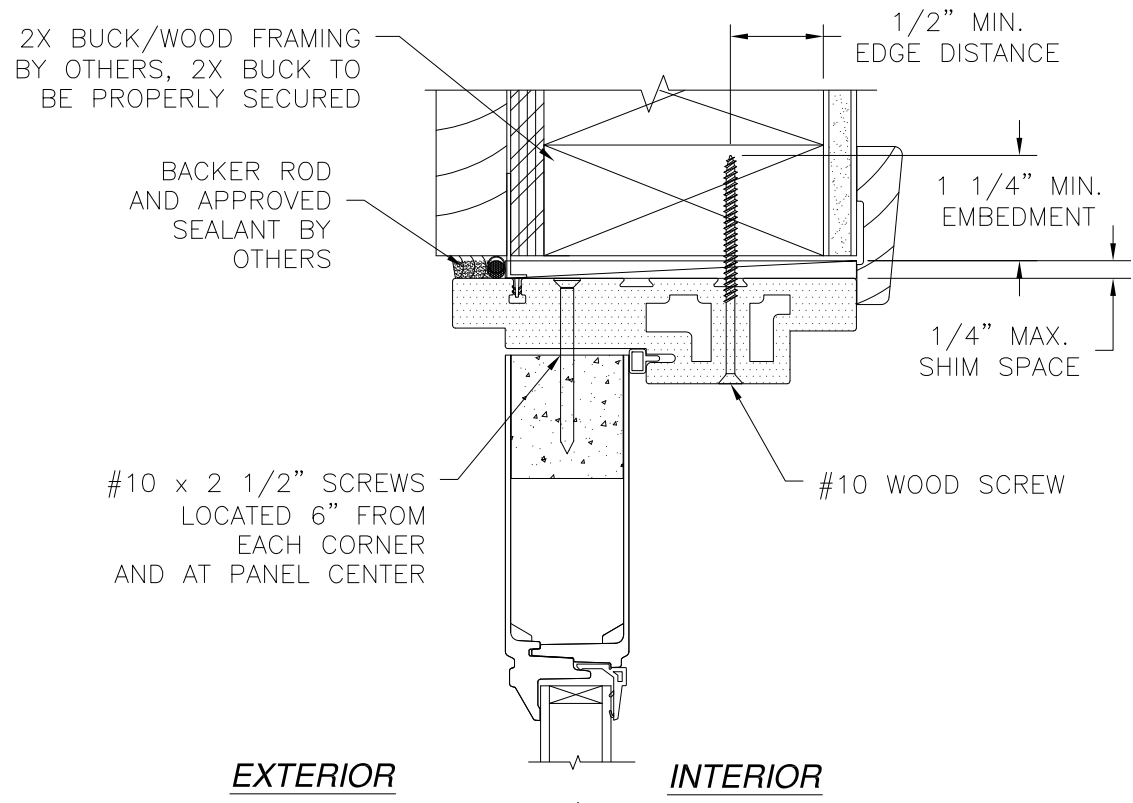
SIGNED: 04/22/2019

<p>NAN YA PLASTICS CORP. USA 8989 NORTH LOOP EAST HOUSTON, TX 77029</p>		
<p>OUT-SWING PATIO DOOR W/SIDELITES FIBERGLASS GLAZED NON-IMPACT DOOR INSTALLATION DETAILS</p>		
<p>DRAWN: A.R.</p>	<p>DWG NO. 08-03402</p>	<p>REV -</p>
<p>SCALE NTS</p>	<p>DATE 04/01/19</p>	<p>SHEET 8 OF 13</p>
<p>L. ROBERTO LOMAS P.E. 1432 WOODFORD RD LEWISVILLE, NC 27023 434-688-0609 rllomas@lrlomaspe.com</p>		

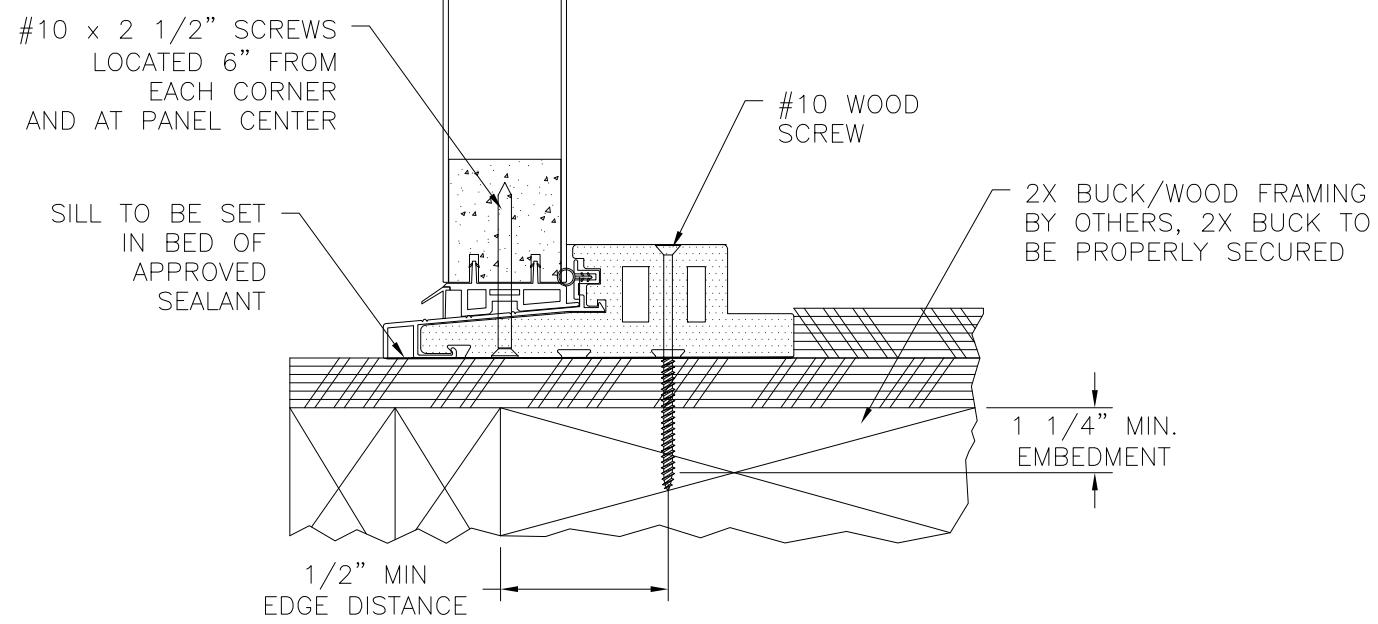


Luis R. Lomas P.E.
FL No.: 62514

REVISIONS			
REV	DESCRIPTION	DATE	APPROVED



SIDELITE HORIZONTAL CROSS SECTION
2X BUCK/WOOD FRAMING INSTALLATION



SIDELITE VERTICAL CROSS SECTION
2X BUCK/WOOD FRAMING INSTALLATION

- NOTES:**
1. INTERIOR AND EXTERIOR FINISHES, BY OTHERS, NOT SHOWN FOR CLARITY.
 2. PERIMETER AND JOINT SEALANT BY OTHERS TO BE DESIGNED IN ACCORDANCE WITH ASTM E2112

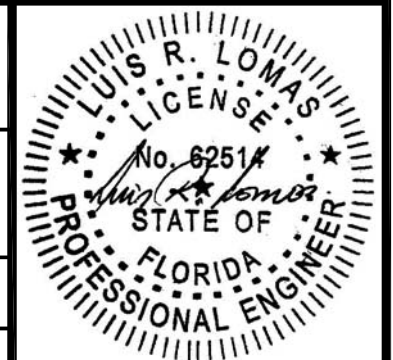
SIGNED: 04/22/2019

NAN YA PLASTICS CORP. USA
8989 NORTH LOOP EAST
HOUSTON, TX 77029

OUT-SWING PATIO DOOR W/SIDELITES
FIBERGLASS GLAZED NON-IMPACT
SIDELITE INSTALLATION DETAILS

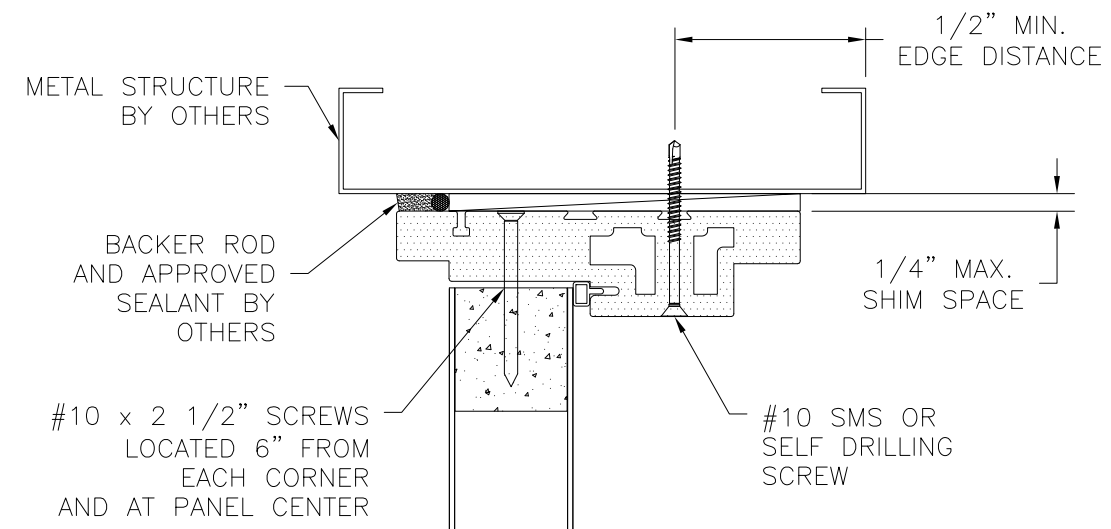
DRAWN: A.R.	DWG NO. 08-03402	REV -
SCALE NTS	DATE 04/01/19	SHEET 9 OF 13

L. ROBERTO LOMAS P.E.
1432 WOODFORD RD LEWISVILLE, NC 27023
434-688-0609 rllomas@rlomaspe.com

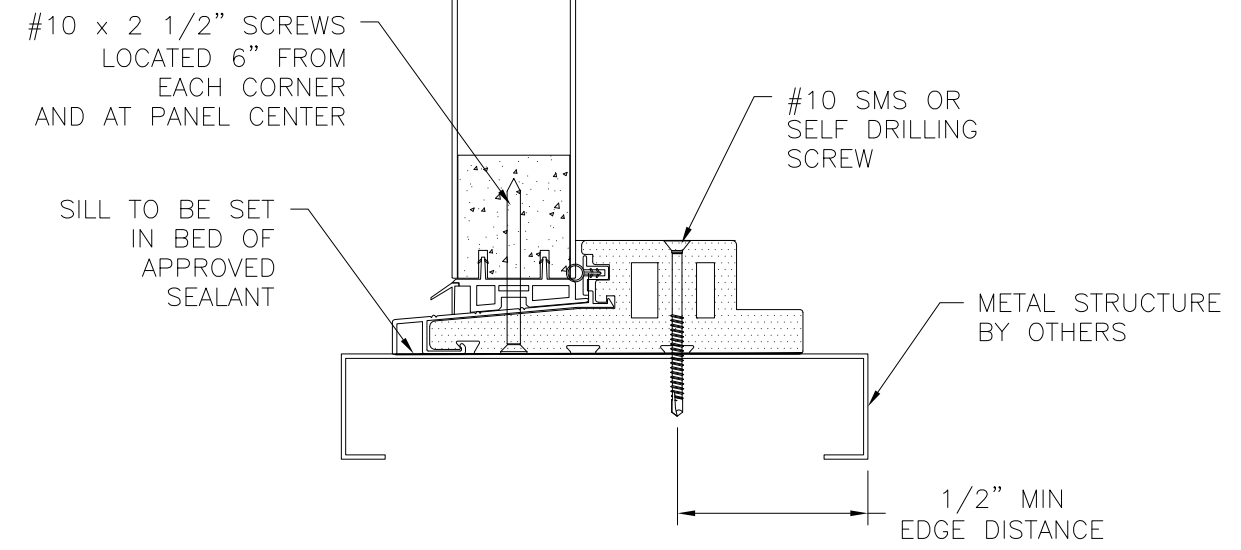


Luis R. Lomas P.E.
FL No.: 62514

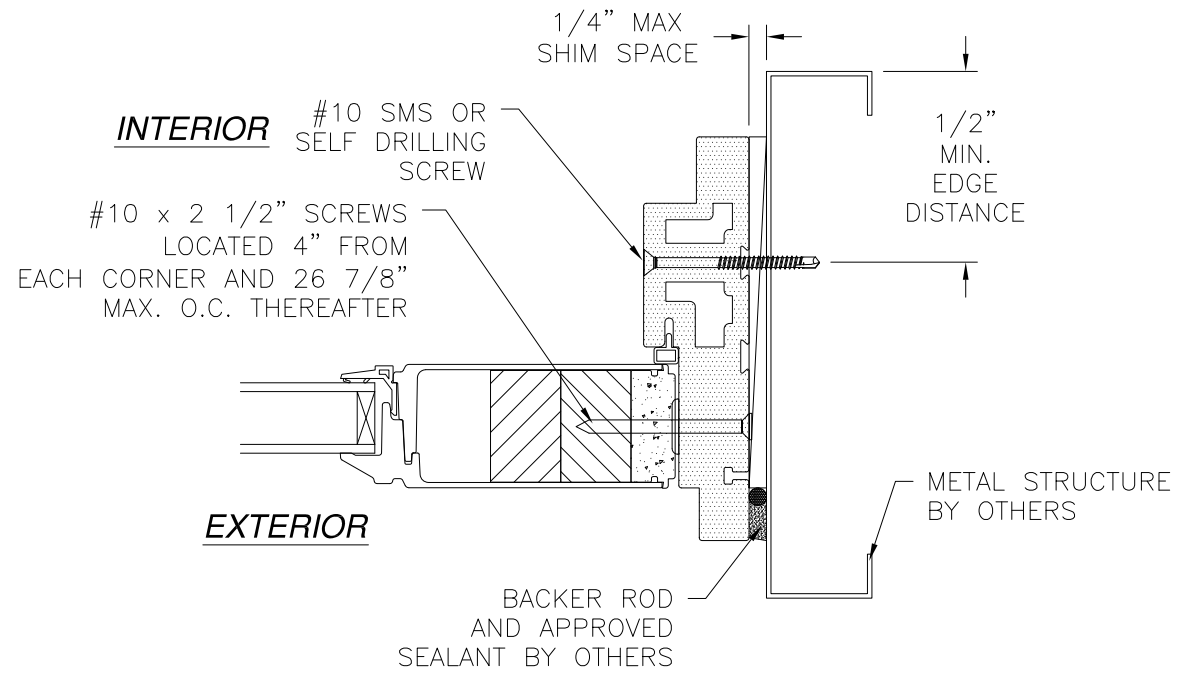
REVISIONS			
REV	DESCRIPTION	DATE	APPROVED



EXTERIOR **INTERIOR**



SIDELITE VERTICAL CROSS SECTION
METAL STRUCTURE INSTALLATION

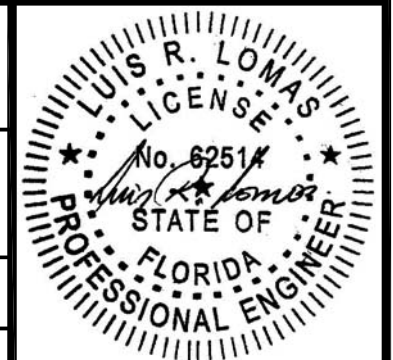


SIDELITE HORIZONTAL CROSS SECTION
METAL STRUCTURE INSTALLATION

- NOTES:**
1. INTERIOR AND EXTERIOR FINISHES, BY OTHERS, NOT SHOWN FOR CLARITY.
 2. PERIMETER AND JOINT SEALANT BY OTHERS TO BE DESIGNED IN ACCORDANCE WITH ASTM E2112

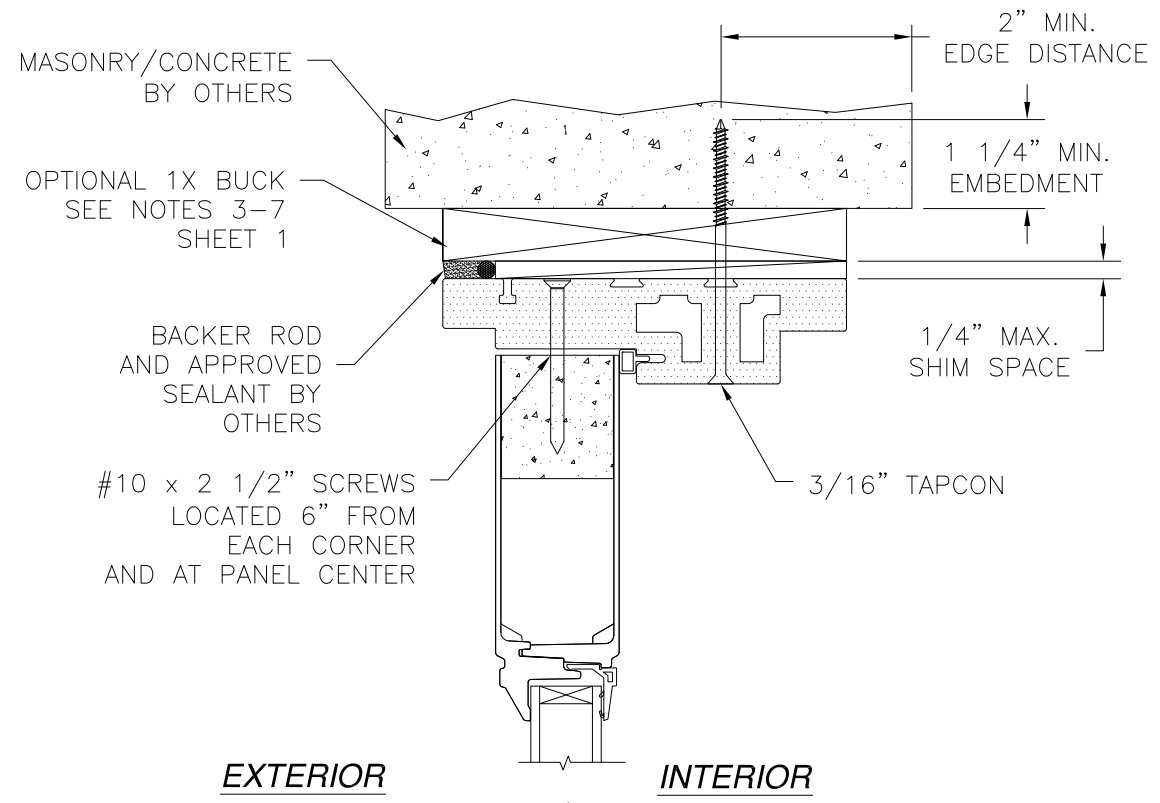
SIGNED: 04/22/2019

<p>NAN YA PLASTICS CORP. USA 8989 NORTH LOOP EAST HOUSTON, TX 77029</p>		
<p>OUT-SWING PATIO DOOR W/SIDELITES FIBERGLASS GLAZED NON-IMPACT SIDELITE INSTALLATION DETAILS</p>		
<p>DRAWN: A.R.</p>	<p>DWG NO. 08-03402</p>	<p>REV -</p>
<p>SCALE NTS</p>	<p>DATE 04/01/19</p>	<p>SHEET 10 OF 13</p>
<p>L. ROBERTO LOMAS P.E. 1432 WOODFORD RD LEWISVILLE, NC 27023 434-688-0609 rllomas@rlomaspe.com</p>		

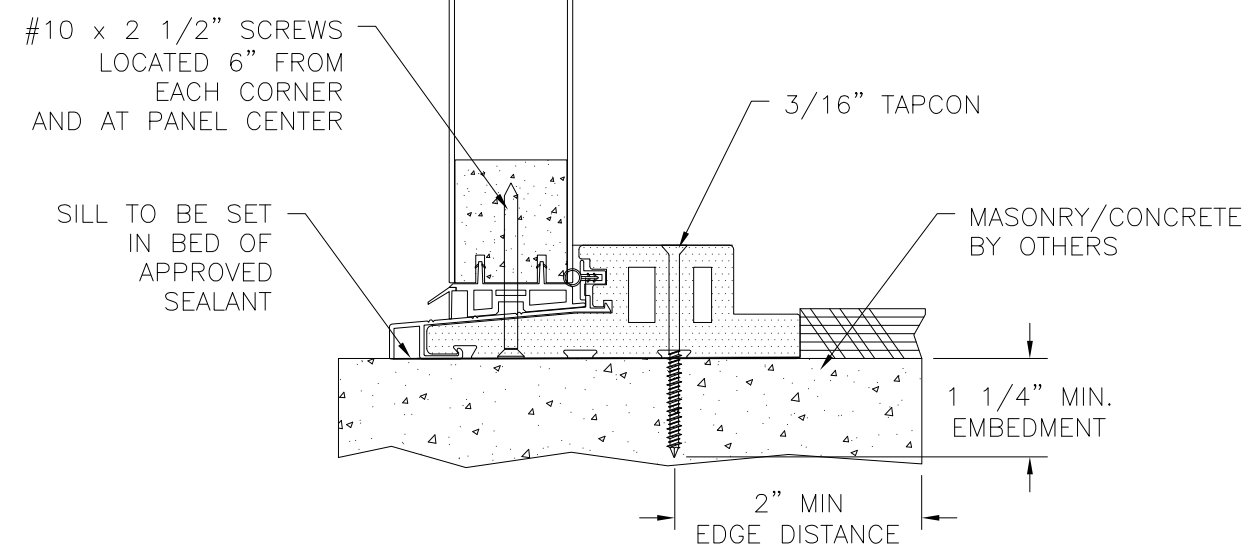


Luis R. Lomas P.E.
FL No.: 62514

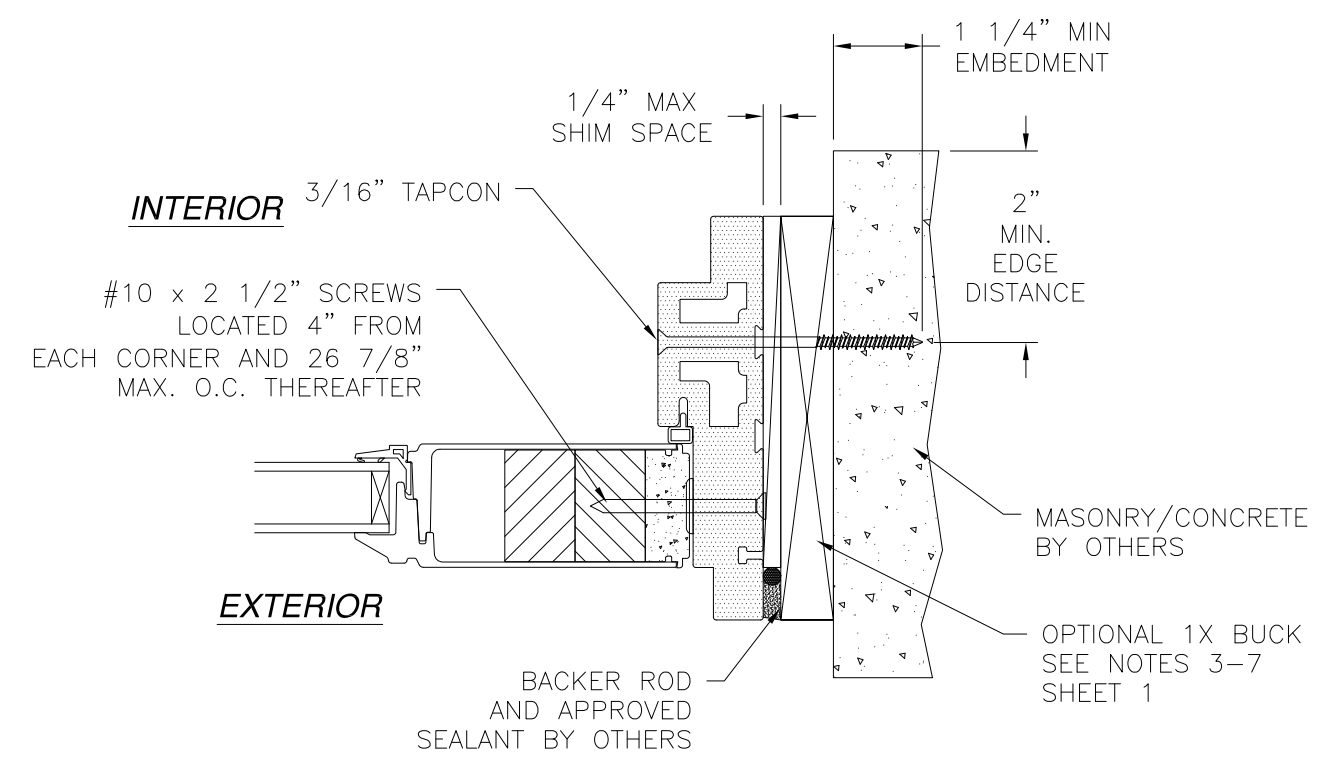
REVISIONS			
REV	DESCRIPTION	DATE	APPROVED



EXTERIOR **INTERIOR**



SIDELITE VERTICAL CROSS SECTION
MASONRY/CONCRETE INSTALLATION

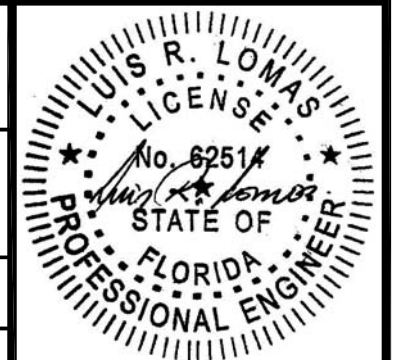


SIDELITE HORIZONTAL CROSS SECTION
MASONRY/CONCRETE INSTALLATION

- NOTES:**
 1. INTERIOR AND EXTERIOR FINISHES, BY OTHERS, NOT SHOWN FOR CLARITY.
 2. PERIMETER AND JOINT SEALANT BY OTHERS TO BE DESIGNED IN ACCORDANCE WITH ASTM E2112

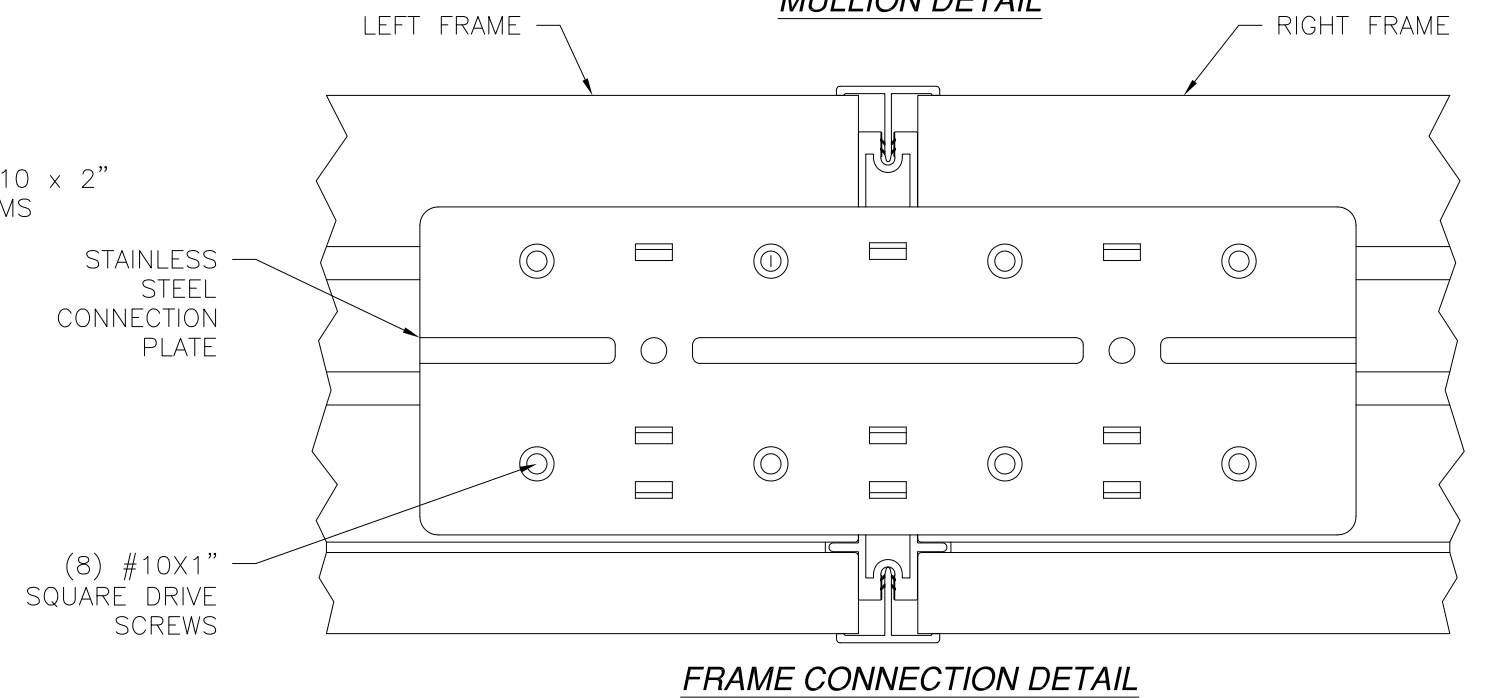
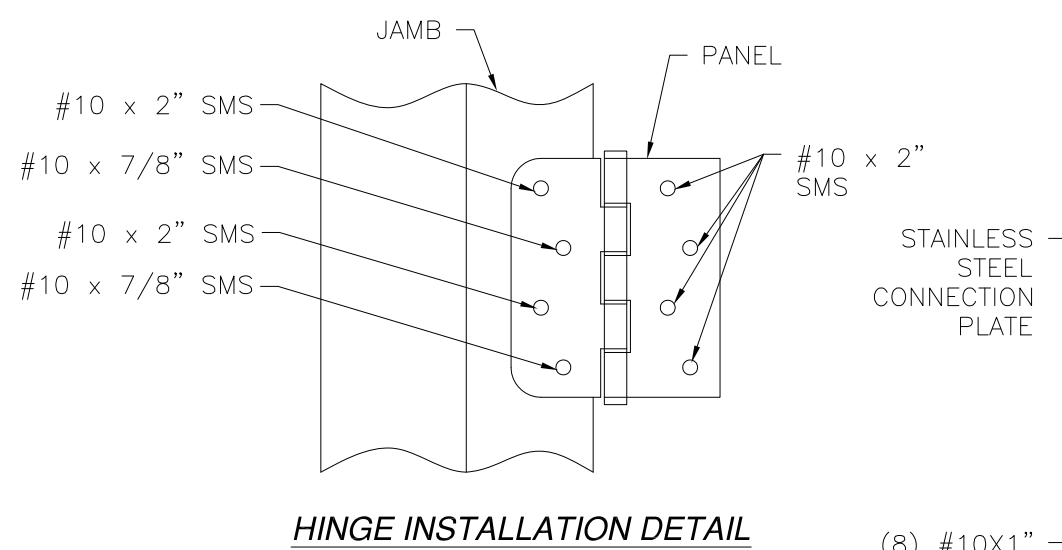
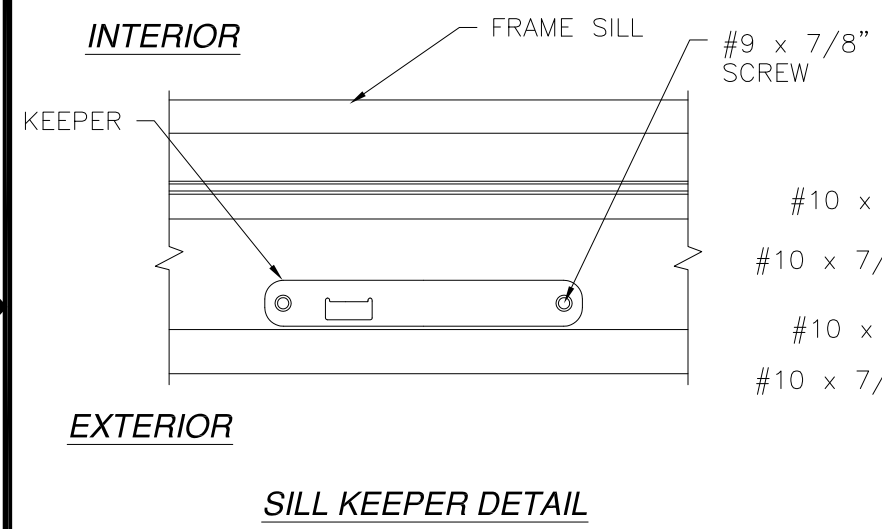
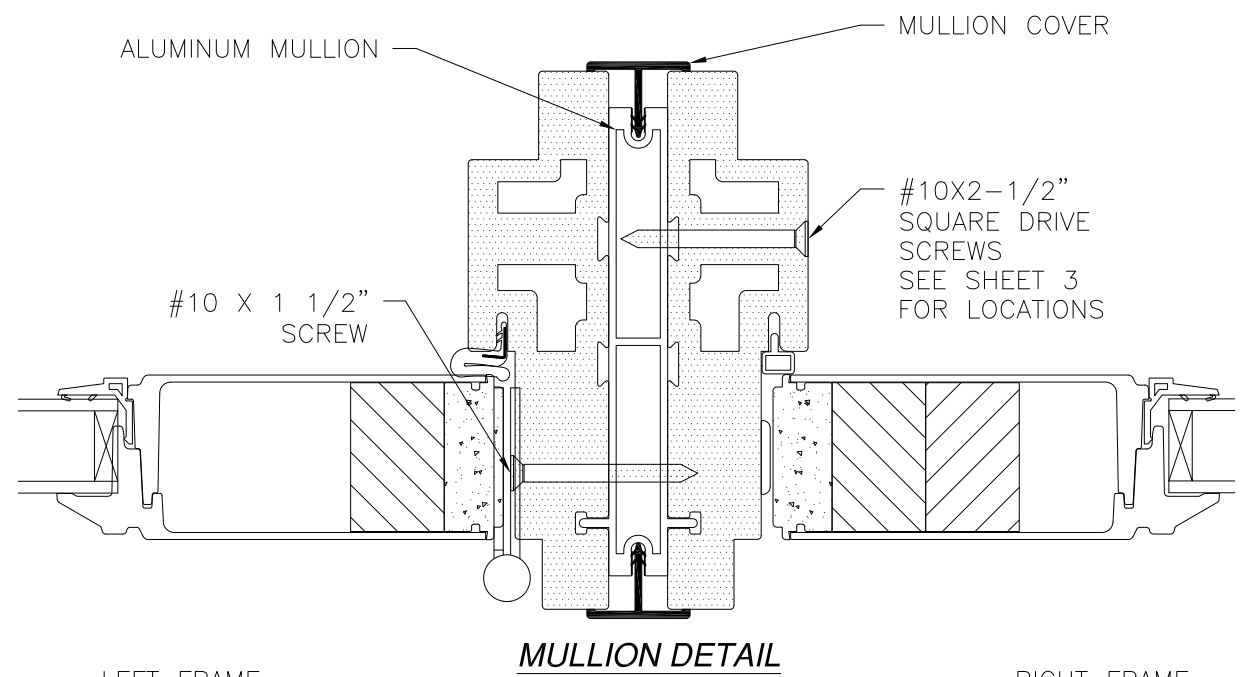
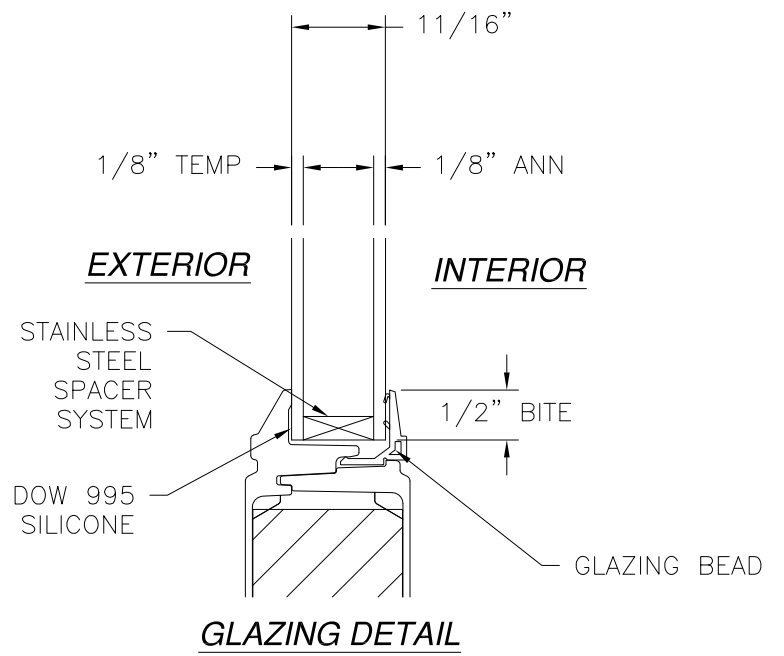
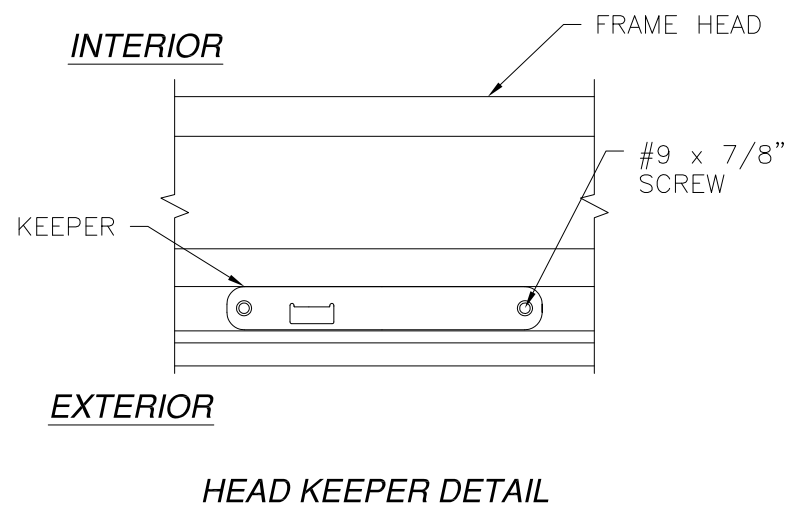
SIGNED: 04/22/2019

NAN YA PLASTICS CORP. USA 8989 NORTH LOOP EAST HOUSTON, TX 77029		
OUT-SWING PATIO DOOR W/SIDELITES FIBERGLASS GLAZED NON-IMPACT SIDELITE INSTALLATION DETAILS		
DRAWN: A.R.	DWG NO. 08-03402	REV -
SCALE NTS	DATE 04/01/19	SHEET 11 OF 13
L. ROBERTO LOMAS P.E. 1432 WOODFORD RD LEWISVILLE, NC 27023 434-688-0609 rllomas@rlomaspe.com		



Luis R. Lomas P.E.
FL No.: 62514

REVISIONS			
REV	DESCRIPTION	DATE	APPROVED



SIGNED: 04/22/2019

NAN YA PLASTICS CORP. USA
8989 NORTH LOOP EAST
HOUSTON, TX 77029

OUT-SWING PATIO DOOR W/SIDELITES
FIBERGLASS GLAZED NON-IMPACT
INSTALLATION DETAILS

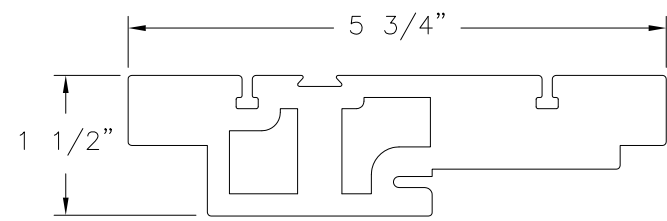


HARDWARE SCHEDULE	
A.	(3) 4" BUTT HINGE
B.	3 POINT LOCK SYSTEM (ACTIVE PANEL)
C.	RIGID PVC ASTRAGAL WITH ALUMINUM REINFORCEMENT

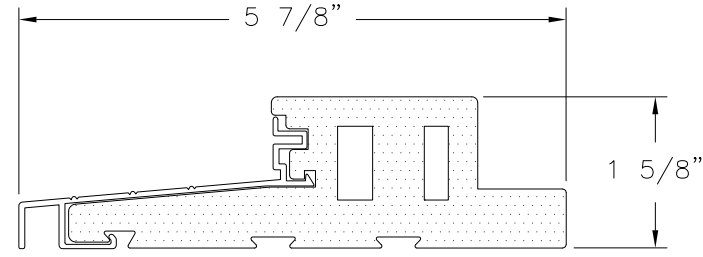
DRAWN: A.R.	DWG NO. 08-03402	REV -
SCALE NTS	DATE 04/01/19	SHEET 12 OF 13

L. ROBERTO LOMAS P.E.
1432 WOODFORD RD LEWISVILLE, NC 27023
434-688-0609 rllomas@rlomaspe.com

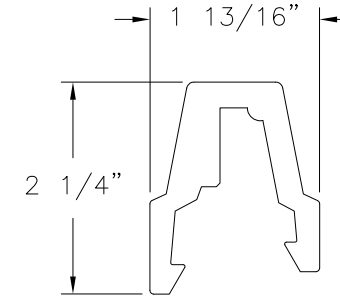
Luis R. Lomas P.E.
FL No.: 62514



HEAD FRAME & JAMB
FOAM PVC CO-EX

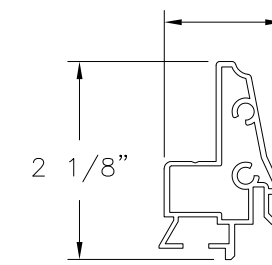


OUTSWING DOOR SILL DETAIL

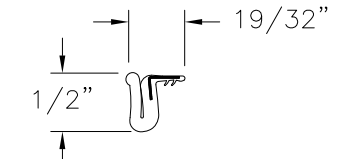


T-ASTRAGAL (B)
FOAM PVC

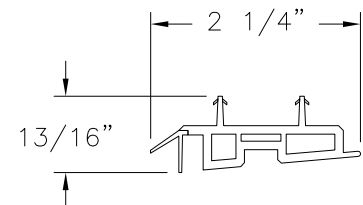
REVISIONS			
REV	DESCRIPTION	DATE	APPROVED



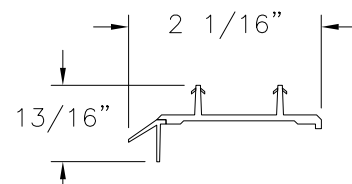
REINFORCEMENT (B)
ALUMINUM



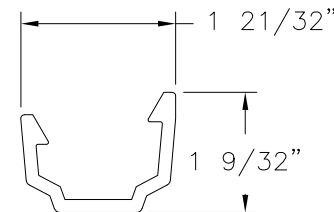
Q-LON WEATHER STRIP
FOAM PU, PE FILM



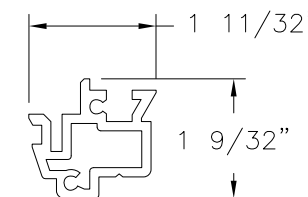
DOOR BOTTOM-A
FOAM & RIGID PVC



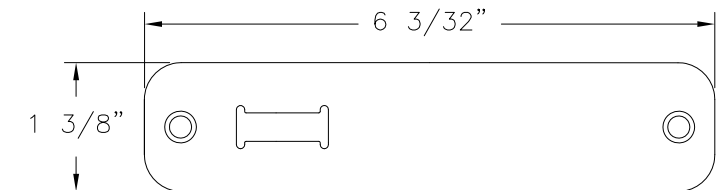
DOOR BOTTOM-B
RIGID PVC CO-EX



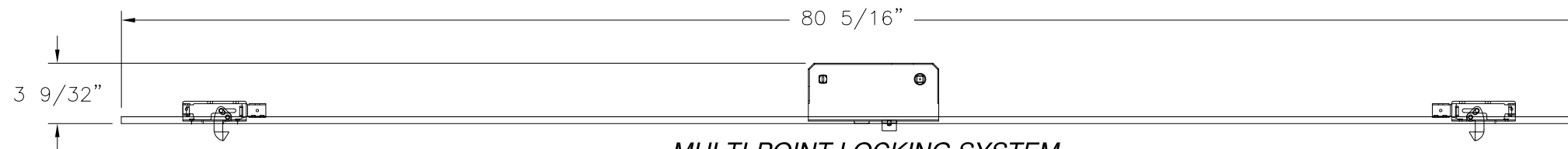
T-ASTRAGAL (A)
RIGID PVC



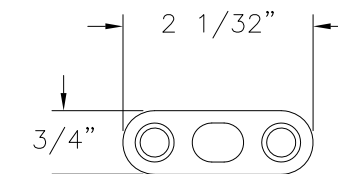
REINFORCEMENT (A)
ALUMINUM



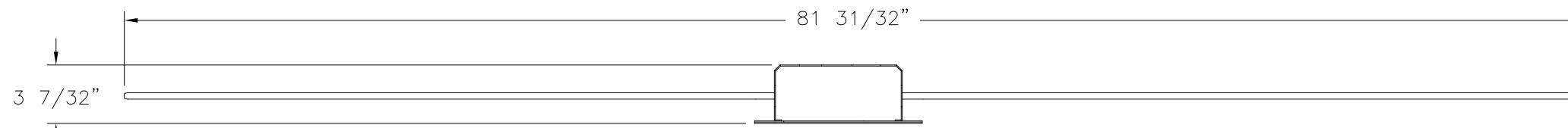
TOP/BOTTOM BAR KEEPER
STAINLESS STEEL BY JAM YUAN ENTERPRISES CO., LTD.



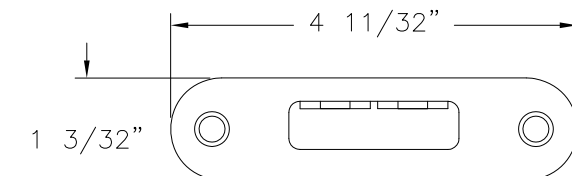
MULTI-POINT LOCKING SYSTEM
STAINLESS STEEL BY JAM YUAN ENTERPRISES CO., LTD.



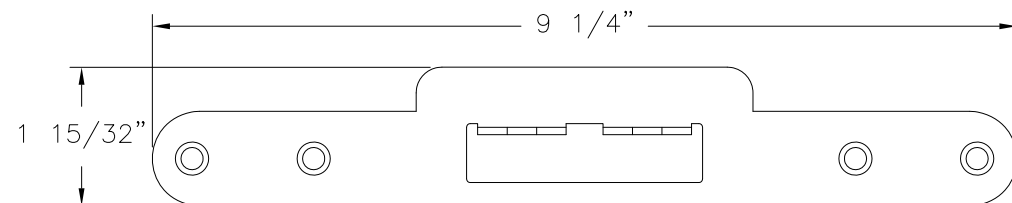
DRIVE BAR PLATE
STAINLESS STEEL
BY JAM YUAN ENTERPRISES CO., LTD.



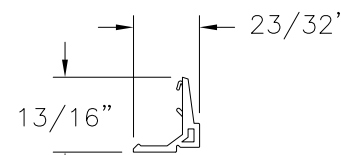
TOP/BOTTOM BAR SYSTEM
STAINLESS STEEL BY JAM YUAN ENTERPRISES CO., LTD.



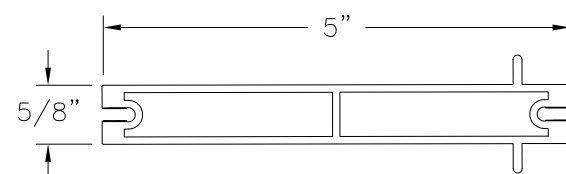
HOOK KEEPER
STAINLESS STEEL
BY JAM YUAN ENTERPRISES CO., LTD.



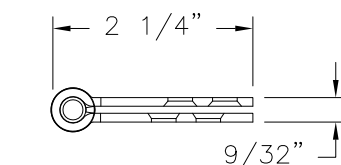
SLAB MULTI-POINT LOCK KEEPER
STAINLESS STEEL BY JAM YUAN ENTERPRISES CO., LTD.



GLAZING BEAD
PVC



ALUMINUM MULLION
ALUMINUM



4" X 4" DOOR HINGE
STEEL

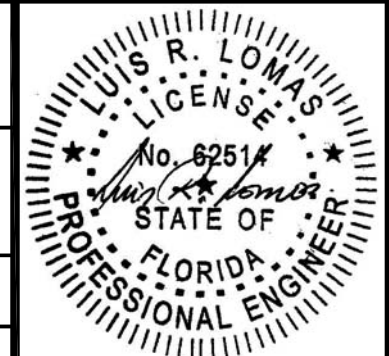
SIGNED: 04/22/2019

NAN YA PLASTICS CORP. USA
8989 NORTH LOOP EAST
HOUSTON, TX 77029

OUT-SWING PATIO DOOR W/SIDELITES
FIBERGLASS GLAZED NON-IMPACT
COMPONENTS

DRAWN: A.R.	DWG NO. 08-03402	REV -
SCALE NTS	DATE 04/01/19	SHEET 13 OF 13

L. ROBERTO LOMAS P.E.
1432 WOODFORD RD LEWISVILLE, NC 27023
434-688-0609 rllomas@rlomaspe.com



Luis R. Lomas P.E.
FL No.: 62514