

# AMERICAN CRAFTSMAN WINDOWS SILVER LINE WINDOWS AND DOORS

## 70 SERIES / V1 SERIES / (2802 & 2803) GLIDING WINDOWS (NON-IMPACT) (NON-HVHZ)

### GENERAL NOTES:

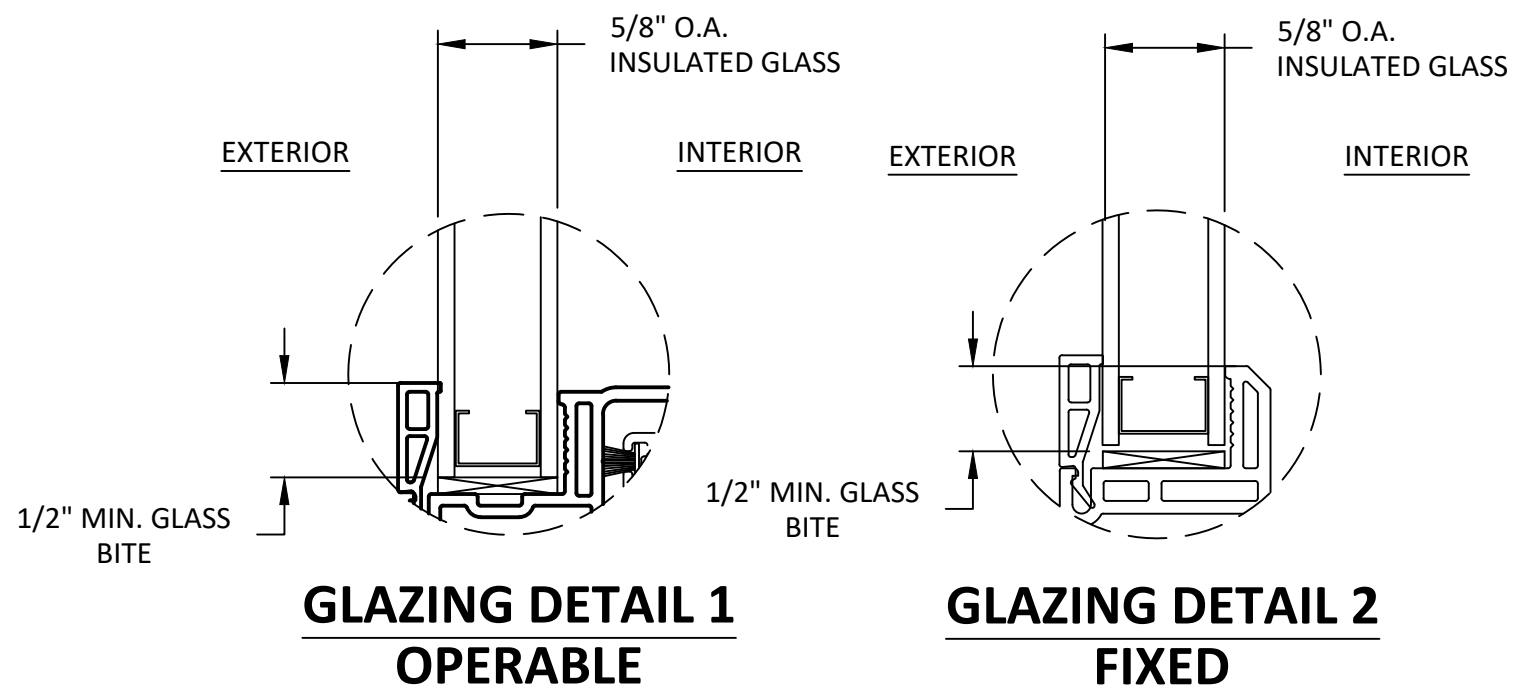
- THE PRODUCT SHOWN HEREIN IS DESIGNED AND MANUFACTURED TO COMPLY WITH THE CURRENT EDITION FLORIDA BUILDING CODE (FBC), EXCLUDING HVHZ AND HAS BEEN EVALUATED ACCORDING TO THE FOLLOWING:
  - AAMA/WDMA/CSA 101/I.S.2/A440-17
- ADEQUACY OF THE EXISTING STRUCTURAL CONCRETE/MASONRY, 2X FRAMING, AND METAL FRAMING AS A MAIN WIND FORCE RESISTING SYSTEM CAPABLE OF WITHSTANDING AND TRANSFERRING APPLIED PRODUCT LOADS TO THE FOUNDATION IS THE RESPONSIBILITY OF THE ENGINEER OR ARCHITECT OF RECORD FOR THE PROJECT OF INSTALLATION.
- 1X AND 2X BUCKS (WHEN USED) SHALL BE DESIGNED AND ANCHORED TO PROPERLY TRANSFER ALL LOADS TO THE STRUCTURE. BUCK DESIGN AND INSTALLATION IS THE RESPONSIBILITY OF THE ENGINEER OR ARCHITECT OF RECORD FOR THE PROJECT OF INSTALLATION.
- THE INSTALLATION DETAILS DESCRIBED HEREIN ARE GENERIC AND MAY NOT REFLECT ACTUAL CONDITIONS FOR A SPECIFIC SITE. IF SITE CONDITIONS CAUSE INSTALLATION TO DEVIATE FROM THE REQUIREMENTS DETAILED HEREIN, A LICENSED ENGINEER OR ARCHITECT SHALL PREPARE SITE SPECIFIC DOCUMENTS FOR USE WITH THIS DOCUMENT IN NON-HVHZ AREAS.
- APPROVED IMPACT PROTECTIVE SYSTEM **IS REQUIRED** ON THIS PRODUCT IN AREAS REQUIRING IMPACT RESISTANCE.
- WINDOW FRAME MATERIAL: PVC
- GLASS SHALL MEET THE REQUIREMENTS OF ASTM E 1300 GLASS CHARTS. SEE SHEET 1 FOR GLAZING DETAILS.

DESIGN PRESSURE TABLE				
MODEL	SIZE	CONFIGURATION	DESIGN PRESSURE	MISSILE IMPACT RATING
2802	73.0" X 50.0"	XO	+35/-35 PSF	NON-IMPACT
2802	73.0" X 63.0"	XO	+20/-20 PSF	NON-IMPACT
2803	108.0" X 59.0"	XOX	+15/-15 PSF	NON-IMPACT
2803	90.0" X 48.0"	XOX	+30/-30 PSF	NON-IMPACT

TABLE OF CONTENTS		
SHEET	REVISION	SHEET DESCRIPTION
1	C	GENERAL NOTES & GLAZING DETAILS
2	C	ELEVATIONS & ANCHOR LAYOUTS
3	C	VERTICAL SECTIONS
4	C	HORIZONTAL SECTIONS
5	C	ANCHOR DETAIL & SCHEDULE

### GLAZING NOTES:

- GLASS TYPE & THICKNESS SHALL COMPLY WITH ASTM E1300 REQUIREMENTS AS WELL AS APPLICABLE SAFETY GLAZING REQUIREMENTS PER THE FBC. TEMPER AND SAFETY GLAZING REQUIREMENTS SHALL BE REVIEWED ON A SITE SPECIFIC BASIS.
- SETTING BLOCK DUROMETER HARDNESS OF 70-90 (SHORE A) AS REFERENCED IN FBC CHAPTER 24.
- SETTING BLOCKS TO BE LOCATED AT 1/4 SPAN LENGTH FOR GLASS WIDER THAN 36" AS PER FBC CHAPTER 24.
- D.L.O. AND DESIGN PRESSURES MAY NOT EXCEED MAX VALUES IN GLASS CHARTS.



AMERICAN CRAFTSMAN WINDOWS  
SILVER LINE WINDOWS AND DOORS

ONE SILVERLINE DRIVE  
NORTH BRUNSWICK, NJ 08902  
PH: (888) 741-0354

TITLE:  
70 SERIES/V1 SERIES/(2802 & 2803)  
GLIDING WINDOWS

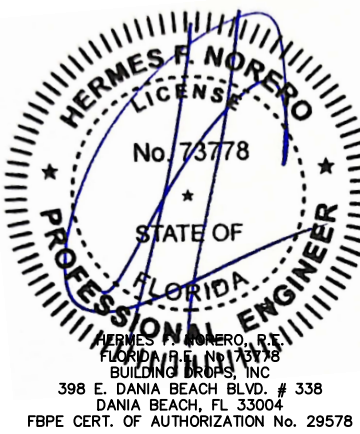
GENERAL NOTES & GLAZING DETAIL

PREPARED BY:  
BUILDING DROPS, INC.  
398 E. DANIA BEACH BLVD., STE. 338  
DANIA BEACH, FL 33004  
PH: (954) 399-8478  
FAX: (954) 744-4738  
WEB: www.buildingdrops.com



REMARKS	BY	DATE
6TH FBC EDITION	FM	10/17
7TH FBC EDITION	LH	10/20
8th FBC EDITION	LH	09/23

THE INSTALLATION DETAILS DESCRIBED HEREIN ARE GENERIC AND MAY NOT REFLECT ACTUAL CONDITIONS FOR A SPECIFIC SITE. IF SITE CONDITIONS CAUSE INSTALLATION TO DEVIATE FROM THE REQUIREMENTS DETAILED HEREIN, A LICENSED ENGINEER OR ARCHITECT SHALL PREPARE SITE SPECIFIC DOCUMENTS FOR USE WITH THIS DOCUMENT.



FL #:  
**FL 14994**

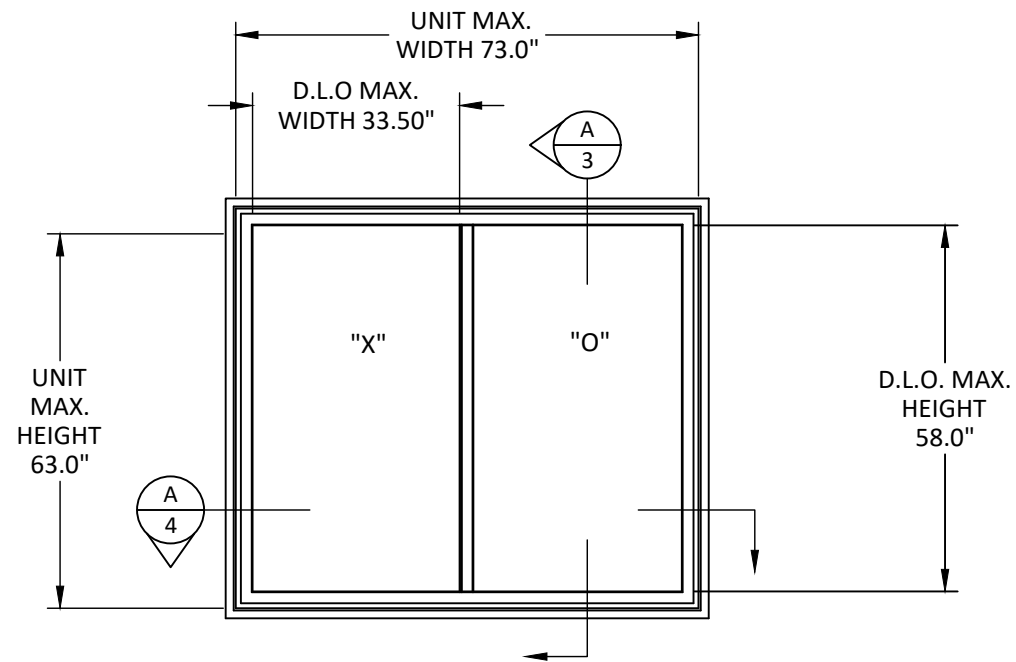
DATE: **09.26.17**

DWG. BY: <b>CL</b>	CHK. BY: <b>HFN</b>
-----------------------	------------------------

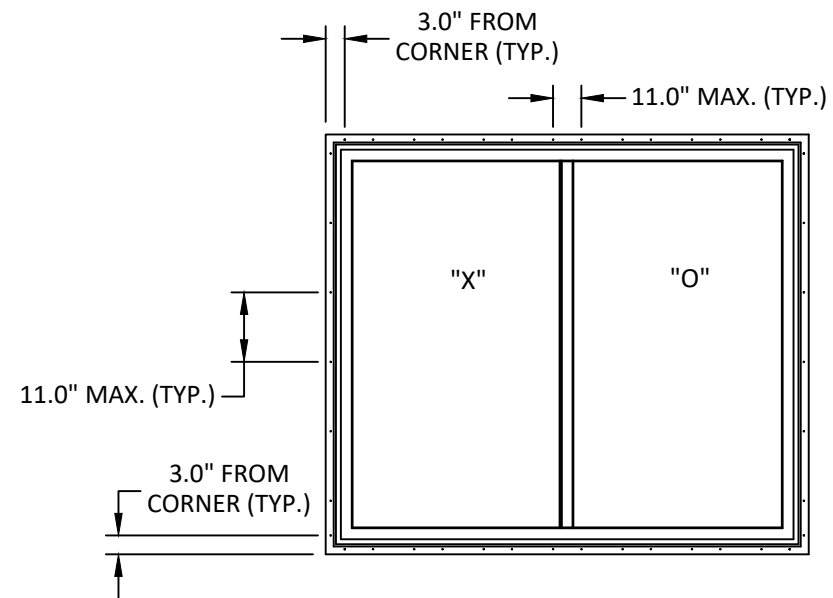
SCALE: **NTS**

DWG. #: **SWD027**

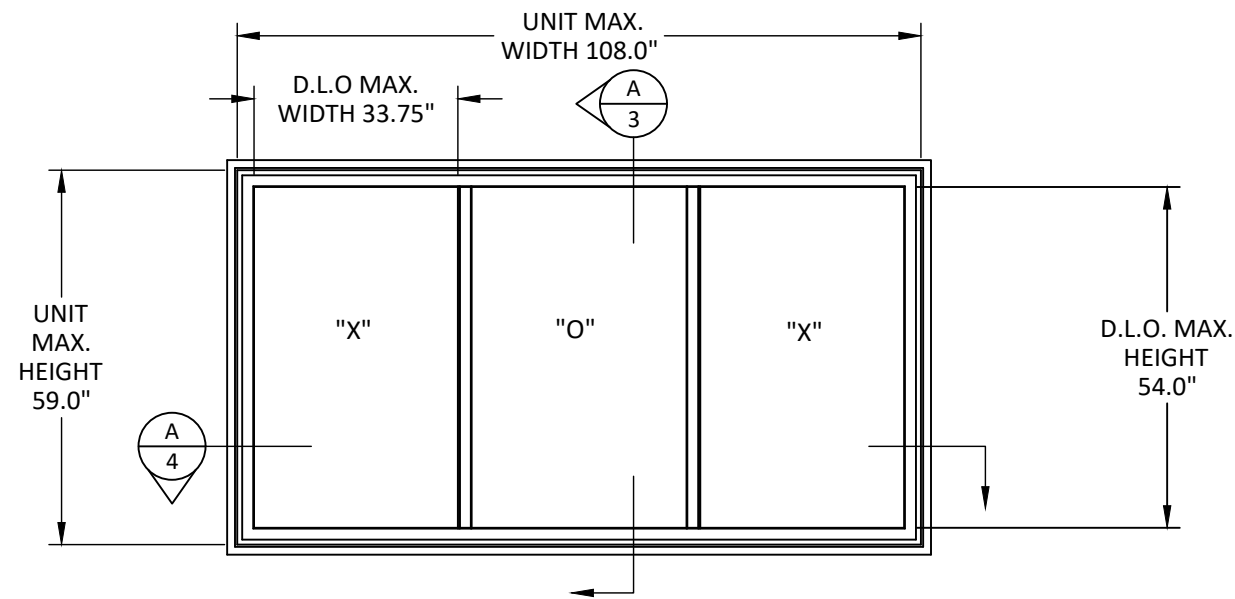
SHEET:  
**1**  
OF 5



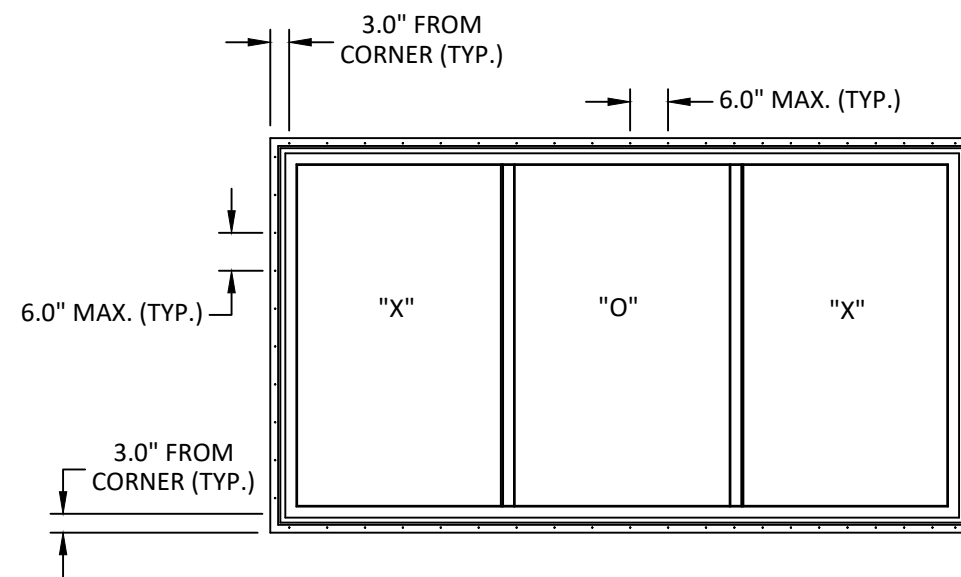
**ELEVATION**



**ANCHOR LAYOUT  
NAIL FIN**



**ELEVATION**



**ANCHOR LAYOUT  
NAIL FIN**

TITLE:  
70 SERIES/V1 SERIES/(2802 & 2803)  
GLIDING WINDOWS

ELEVATIONS & ANCHOR LAYOUTS

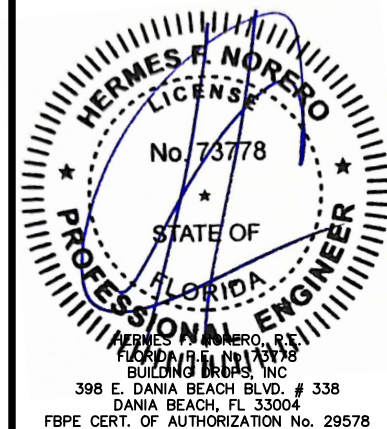
PREPARED BY:

**BUILDING DROPS, INC.**  
398 E. DANIA BEACH BLVD., STE. 338  
DANIA BEACH, FL 33004  
PH: (954) 359-8478  
FAX: (954) 744-4738  
WEB: www.buildingdrops.com



REMARKS	BY	DATE
6TH FBC EDITION	FM	10/17
7TH FBC EDITION	LH	10/20
8th FBC EDITION	LH	09/23

THE INSTALLATION DETAILS DESCRIBED HEREIN ARE GENERIC AND MAY NOT REFLECT ACTUAL CONDITIONS FOR A SPECIFIC SITE. IF SITE CONDITIONS CAUSE INSTALLATION TO DEVIATE FROM THE REQUIREMENTS DETAILED HEREIN, A LICENSED ENGINEER OR ARCHITECT SHALL PREPARE SITE SPECIFIC DOCUMENTS FOR USE WITH THIS DOCUMENT.



FL #:  
**FL 14994**

DATE: **09.26.17**

DWG. BY: **CL**      CHK. BY: **HFN**

SCALE: **NTS**

DWG. #: **SWD027**

SHEET:  
**2**  
OF 5

AMERICAN CRAFTSMAN WINDOWS  
SILVER LINE WINDOWS AND DOORS

ONE SILVERLINE DRIVE  
NORTH BRUNSWICK, NJ 08902  
PH: (888) 741-0354

TITLE:  
70 SERIES/V1 SERIES/(2802 & 2803)  
GLIDING WINDOWS

VERTICAL SECTIONS

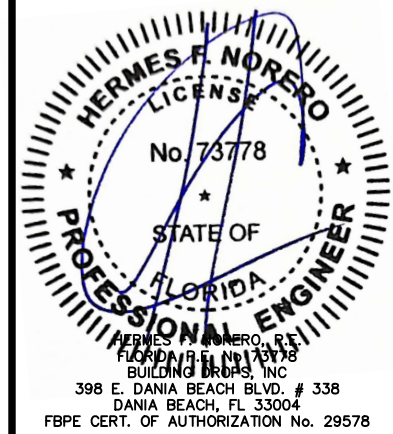
PREPARED BY:  
BUILDING DROPS, INC.  
398 E. DANIA BEACH BLVD., STE. 338  
DANIA BEACH, FL 33004

PH: (954) 399-8478  
FAX: (954) 744-4738  
WEB: www.buildingdrops.com



REMARKS	BY	DATE
6TH FBC EDITION	FM	10/17
7TH FBC EDITION	LH	10/20
8th FBC EDITION	LH	09/23

THE INSTALLATION DETAILS DESCRIBED HEREIN ARE GENERIC AND MAY NOT REFLECT ACTUAL CONDITIONS FOR A SPECIFIC SITE. IF SITE CONDITIONS CAUSE INSTALLATION TO DEVIATE FROM THE REQUIREMENTS DETAILED HEREIN, A LICENSED ENGINEER OR ARCHITECT SHALL PREPARE SITE SPECIFIC DOCUMENTS FOR USE WITH THIS DOCUMENT.



FL #: **FL 14994**

DATE: **09.26.17**

DWG. BY: **CL**      CHK. BY: **HFN**

SCALE: **NTS**

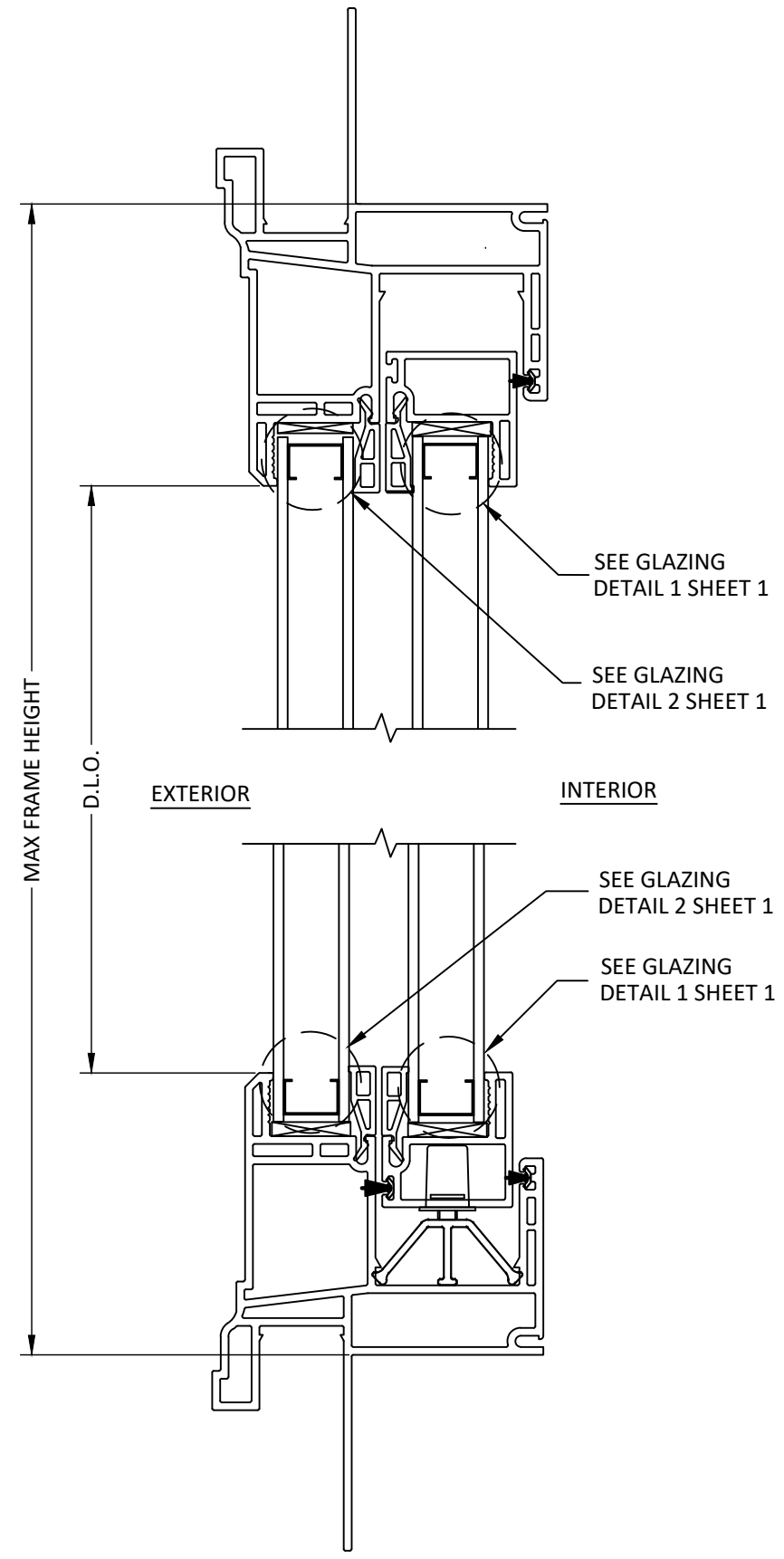
DWG. #: **SWD027**

SHEET:

**3**

OF 5

**A**  
**3**      **VERTICAL SECTION**



AMERICAN CRAFTSMAN WINDOWS  
SILVER LINE WINDOWS AND DOORS

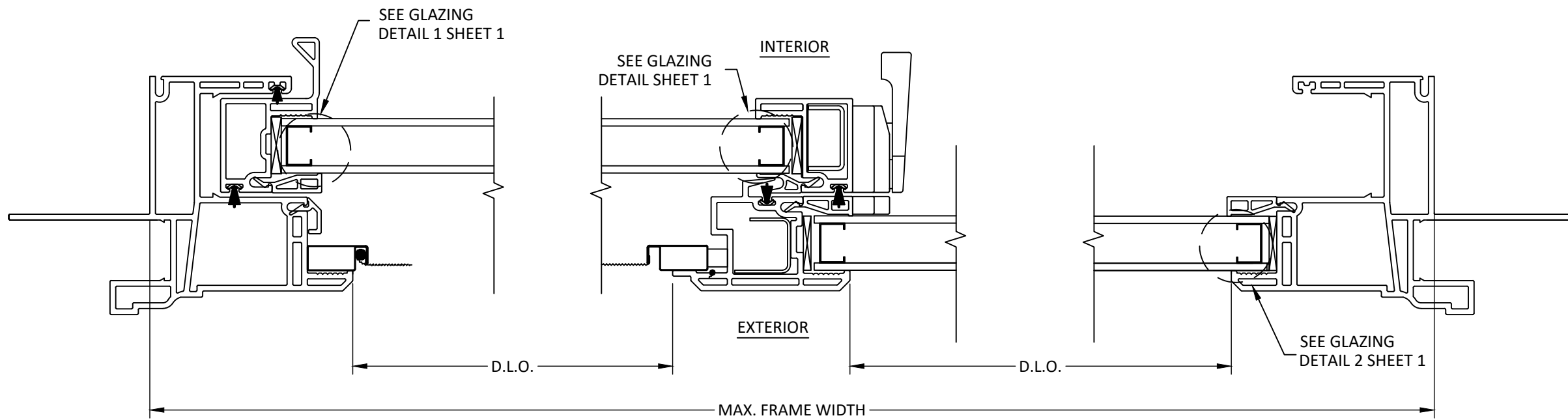
ONE SILVERLINE DRIVE  
NORTH BRUNSWICK, NJ 08902  
PH: (888) 741-0354

TITLE:  
70 SERIES/V1 SERIES/(2802 & 2803)  
GLIDING WINDOWS

HORIZONTAL SECTION

PREPARED BY:

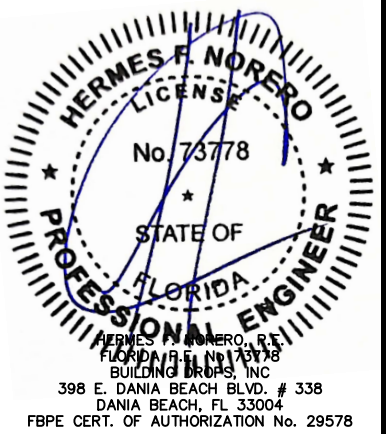
**BUILDING DROPS, INC.**  
398 E. DANIA BEACH BLVD., STE. 338  
DANIA BEACH, FL 33004  
PH: (954) 399-8478  
FAX: (954) 744-4738  
WEB: www.buildingdrops.com



**A**  
**4** HORIZONTAL SECTION

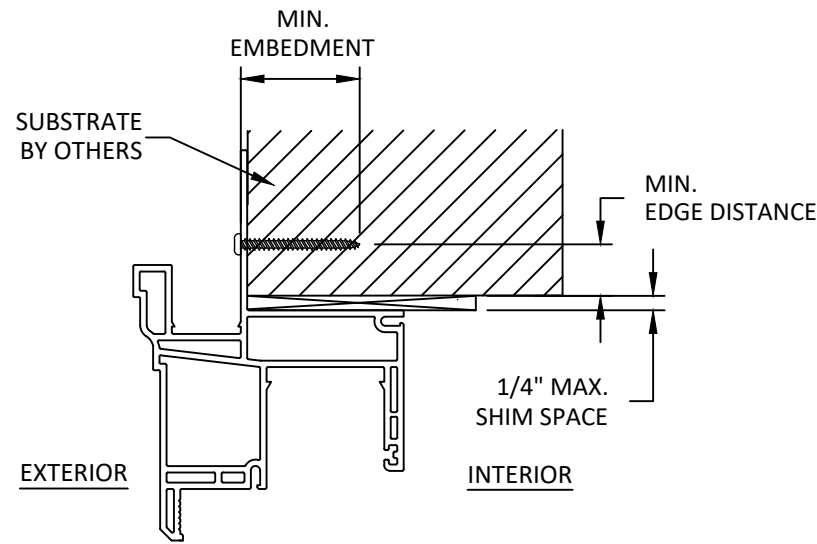
REMARKS	BY	DATE
6TH FBC EDITION	FM	10/17
7TH FBC EDITION	LH	10/20
8th FBC EDITION	LH	09/23

THE INSTALLATION DETAILS DESCRIBED HEREIN ARE GENERIC AND MAY NOT REFLECT ACTUAL CONDITIONS FOR A SPECIFIC SITE. IF SITE CONDITIONS CAUSE INSTALLATION TO DEVIATE FROM THE REQUIREMENTS DETAILED HEREIN, A LICENSED ENGINEER OR ARCHITECT SHALL PREPARE SITE SPECIFIC DOCUMENTS FOR USE WITH THIS DOCUMENT.



FL #: **FL 14994**  
DATE: **09.26.17**  
DWG. BY: **CL** | CHK. BY: **HFN**  
SCALE: **NTS**  
DWG. #: **SWD027**  
SHEET:

**4**



NOTE:  
SILL AND JAMB HAVE  
SIMILAR DETAILS

**A**  
**5**

**ANCHOR DETAIL**

NAIL FIN (HEAD)

**INSTALLATION NOTES:**

- ONE (1) INSTALLATION ANCHOR IS REQUIRED AT EACH ANCHOR LOCATION SHOWN.
- THE NUMBER OF INSTALLATION ANCHORS DEPICTED IS THE MINIMUM NUMBER OF ANCHORS TO BE USED FOR PRODUCT INSTALLATION OF THE MAXIMUM SIZE LISTED.
- INSTALL INDIVIDUAL INSTALLATION ANCHORS WITHIN A TOLERANCE OF  $\pm 1/2$  INCH THE DEPICTED LOCATION & SPACING IN THE ANCHOR LAYOUT DETAILS (I.E., WITHOUT CONSIDERATION OF TOLERANCES). TOLERANCES ARE NOT CUMULATIVE FROM ONE INSTALLATION ANCHOR TO THE NEXT.
- SHIM AS REQUIRED AT EACH INSTALLATION ANCHOR WITH LOAD BEARING SHIM(S). MAXIMUM ALLOWABLE SHIM STACK TO BE 1/4 INCH. SHIM WHERE SPACE OF 1/16 INCH OR GREATER OCCURS. SHIM(S) SHALL BE CONSTRUCTED OF HIGH DENSITY PLASTIC OR BETTER.
- FOR MASONRY OR CONCRETE OPENINGS, A 1X WOOD BUCK MAY BE USED (OPTIONAL) AS LONG AS THE MINIMUM EMBEDMENT AND EDGE DISTANCE REQUIREMENTS ARE STILL MET WITHIN THE CORRESPONDING HOST SUBSTRATE. SEE GENERAL NOTE #3 ON SHEET 1 FOR MORE INFORMATION.
- MINIMUM EMBEDMENT AND EDGE DISTANCE EXCLUDE WALL FINISHES, INCLUDING BUT NOT LIMITED TO STUCCO, FOAM, BRICK VENEER, AND SIDING.
- INSTALLATION ANCHORS AND ASSOCIATED HARDWARE MUST BE MADE OF CORROSION RESISTANT MATERIAL OR HAVE A CORROSION RESISTANT COATING.
- FOR HOLLOW BLOCK AND GROUT FILLED BLOCK, DO NOT INSTALL INSTALLATION ANCHORS INTO MORTAR JOINTS. EDGE DISTANCE IS MEASURED FROM FREE EDGE OF BLOCK OR EDGE OF MORTAR JOINT INTO FACE SHELL OF BLOCK.
- INSTALLATION ANCHORS SHALL BE INSTALLED IN ACCORDANCE WITH ANCHOR MANUFACTURER'S INSTALLATION INSTRUCTIONS, AND ANCHORS SHALL NOT BE USED IN SUBSTRATES WITH STRENGTHS LESS THAN THE MINIMUM STRENGTH SPECIFIED BY THE ANCHOR MANUFACTURER.

ANCHOR SCHEDULE				
METHOD	SUBSTRATE	ANCHOR SCHEDULE	MIN EMBEDMENT	MIN. EDGE DISTANCE
NAIL FIN	WOOD: MIN. SG = 0.55	#8 WOOD SCREW	1.5"	0.75"
	METAL: 18 GAUGE Steel, MIN. Fy = 33KSI	#8 TEK SCREW	3 THREADS MIN PENETRATION BEYOND METAL	0.75"

TITLE:  
70 SERIES/V1 SERIES/(2802 & 2803)  
GLIDING WINDOWS

ANCHOR DETAIL & SCHEDULE

PREPARED BY:  
BUILDING DROPS, INC.

398 E. DANIA BEACH BLVD., STE. 338  
DANIA BEACH, FL 33004  
PH: (954) 399-8478  
FAX: (954) 744-4738  
WEB: www.buildingdrops.com



REMARKS	BY	DATE
6TH FBC EDITION	FM	10/17
7TH FBC EDITION	LH	10/20
8th FBC EDITION	LH	09/23

THE INSTALLATION DETAILS DESCRIBED HEREIN ARE GENERIC AND MAY NOT REFLECT ACTUAL CONDITIONS FOR A SPECIFIC SITE. IF SITE CONDITIONS CAUSE INSTALLATION TO DEVIATE FROM THE REQUIREMENTS DETAILED HEREIN, A LICENSED ENGINEER OR ARCHITECT SHALL PREPARE SITE SPECIFIC DOCUMENTS FOR USE WITH THIS DOCUMENT.



FL #:  
**FL 14994**

DATE: **09.26.17**

DWG. BY: **CL**      CHK. BY: **HFN**

SCALE: **NTS**

DWG. #: **SWD027**

SHEET:  
**5**  
OF 5