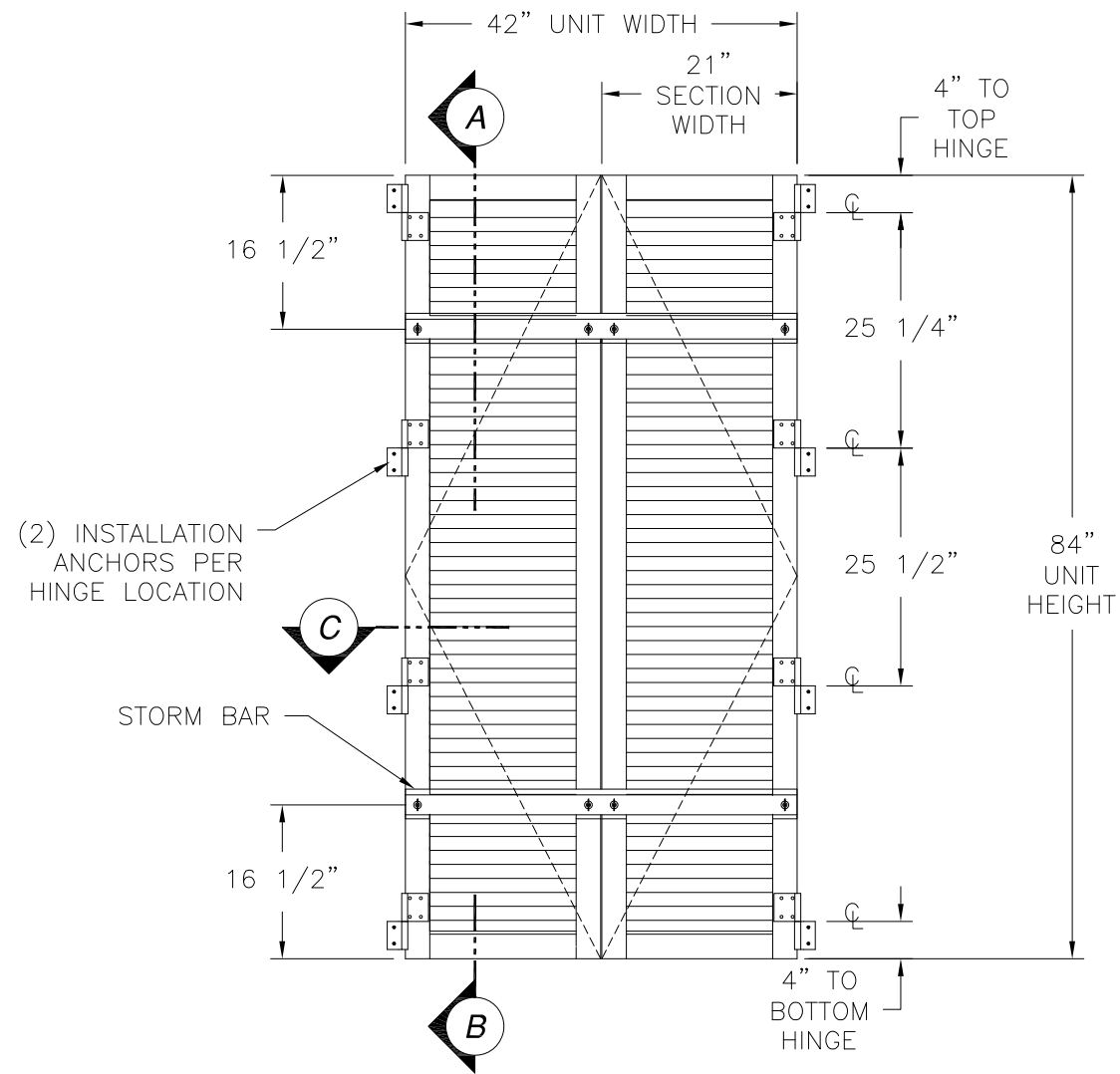


REVISIONS			
REV	DESCRIPTION	DATE	APPROVED
B	REVISED PER NEW CODE	08/16/2023	R.L.



**COLONIAL STANDARD SHUTTER**  
EXTERIOR VIEW

DESIGN PRESSURE RATING	IMPACT RATING
±40.0PSF	NONE

**NOTES:**

1. THE PRODUCT SHOWN HEREIN IS DESIGNED AND MANUFACTURED TO COMPLY WITH REQUIREMENTS OF THE FLORIDA BUILDING CODE.
2. WOOD FRAMING AND MASONRY OPENING TO BE DESIGNED AND ANCHORED TO PROPERLY TRANSFER ALL LOADS TO STRUCTURE. FRAMING AND MASONRY OPENING IS THE RESPONSIBILITY OF THE ARCHITECT OR ENGINEER OF RECORD.
3. ALLOWABLE STRESS INCREASE OF 1/3 WAS NOT USED IN THE DESIGN OF THE PRODUCT SHOWN HEREIN. WIND LOAD DURATION FACTOR  $C_d=1.6$  WAS USED FOR WOOD ANCHOR CALCULATIONS.
4. SHUTTER FRAME AND BLADES MATERIAL: ALUMINUM 6063-T6.
5. APPROVED IMPACT PROTECTIVE SYSTEM IS REQUIRED FOR THIS PRODUCT IN WIND BORNE DEBRIS REGIONS.
6. FOR ANCHORING INTO MASONRY USE 1/4" ITW TAPCONS WITH SUFFICIENT LENGTH TO ACHIEVE A 1 1/4" MINIMUM EMBEDMENT INTO SUBSTRATE WITH 2 5/16" MINIMUM EDGE DISTANCE AND 1 3/4" MINIMUM SEPARATION. LOCATE ANCHORS AS SHOWN IN ELEVATIONS AND INSTALLATION DETAILS.
7. FOR ANCHORING INTO WOOD FRAMING OR 2X BUCK OR THROUGH BRICK VEENER INTO WOOD FRAMING OR 2X BUCK USE #10 WOOD SCREW WITH SUFFICIENT LENGTH TO ACHIEVE A 1 3/4" MINIMUM EMBEDMENT INTO SUBSTRATE. LOCATE ANCHORS AS SHOWN IN ELEVATIONS AND INSTALLATION DETAILS.
8. FOR ANCHORING INTO MASONRY/CONCRETE USE 1/4" TAPCON WITH SUFFICIENT LENGTH TO ACHIEVE A 1 1/4" MINIMUM EMBEDMENT INTO SUBSTRATE. LOCATE ANCHORS AS SHOWN IN ELEVATIONS AND INSTALLATION DETAILS.
9. ALL FASTENERS TO BE CORROSION RESISTANT.
10. INSTALLATION ANCHORS SHALL BE INSTALLED IN ACCORDANCE WITH ANCHOR MANUFACTURER'S INSTALLATION INSTRUCTIONS, AND ANCHORS SHALL NOT BE USED IN SUBSTRATES WITH STRENGTHS LESS THAN THE MINIMUM STRENGTH SPECIFIED BELOW:
  - 10.1. WOOD – MINIMUM SPECIFIC GRAVITY OF  $G=0.42$
  - 10.2. CONCRETE – MINIMUM COMPRESSIVE STRENGTH OF 2,000 PSI.
  - 10.3. MASONRY – STRENGTH CONFORMANCE TO ASTM C-90, GRADE N, TYPE 1 (OR GREATER).

TABLE OF CONTENTS	
SHEET NO.	DESCRIPTION
1 - 2	ELEVATIONS, ANCHORING AND NOTES
3 - 4	BILL OF MATERIALS AND COMPONENTS
4 - 5	CROSS SECTIONS
6 - 7	INSTALLATION DETAILS

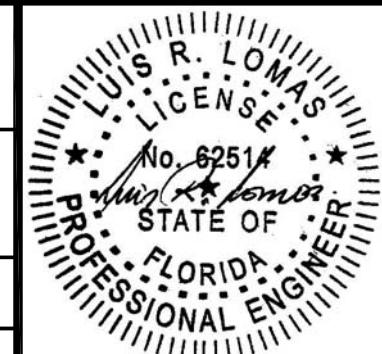
**LAS ENTERPRISES**  
2413 L & A ROAD  
METAIRIE, LA 70001

COLONIAL SERIES B NON-IMPACT  
STANDARD ALUMINUM SHUTTER  
STANDARD ELEVATION, ANCHORING AND NOTES

DRAWN: V.L.	DWG NO. 08-01488	REV B
SCALE NTS	DATE 02/13/12	SHEET 1 OF 6

L. ROBERTO LOMAS P.E.  
208 7th Ave, INDIALANTIC, FL 32903  
434-688-0609 rllomas@rlomaspe.com

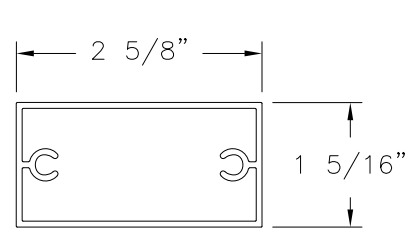
SIGNED: 10/26/2023



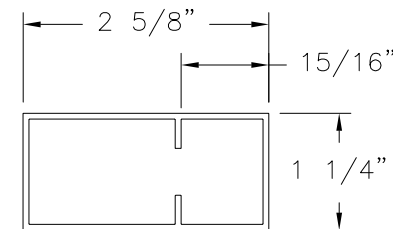
Luis R. Lomas P.E.  
FL No.: 62514

PARTS LIST				
NO.	PART NUMBER	DESCRIPTION	MANUFACTURER	MATERIAL
1	11504A	FRAME TOP/BOTTOM	LAS ENTERPRISES	ALUMINUM 6063-T6
2	11761ALT	FRAME SIDE	LAS ENTERPRISES	ALUMINUM 6063-T6
3		NOT USED		
4		NOT USED		
5		NOT USED		
6	AF3136	D/N COLBL W/O SCREW COGS	LAS ENTERPRISES	ALUMINUM 6063-T6
7	11404	STANDARD WALL HINGE	LAS ENTERPRISES	ALUMINUM 6063-T6
8		NOT USED		
9	11405	INTERIOR HINGE	LAS ENTERPRISES	ALUMINUM 6063-T6
10	12115	F-TRACK	LAS ENTERPRISES	ALUMINUM 6063-T6
11		#14 x 2" PAN HEAD SMS		

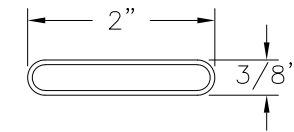
REVISIONS			
REV	DESCRIPTION	DATE	APPROVED
B	REVISED PER NEW CODE	08/16/2023	R.L.



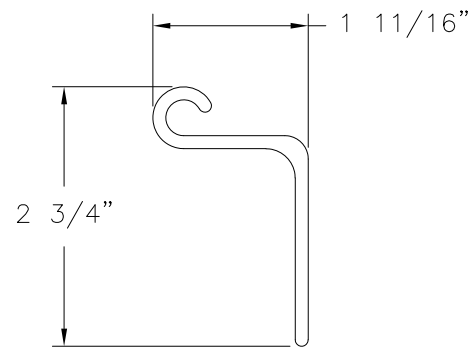
① **FRAME TOP/BOTTOM**  
ALUMINUM 6063-T6 .063" THICK



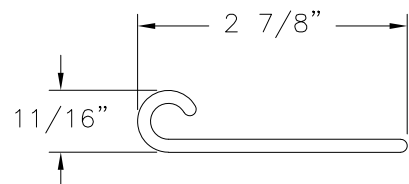
② **FRAME SIDE**  
ALUMINUM 6063-T6 .063" THICK



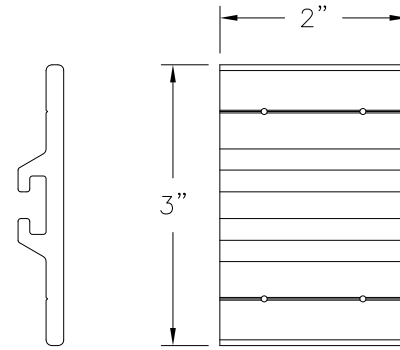
⑥ **D/N COLBL W/O SCREW COGS**  
ALUMINUM 6063-T6 .040" THICK



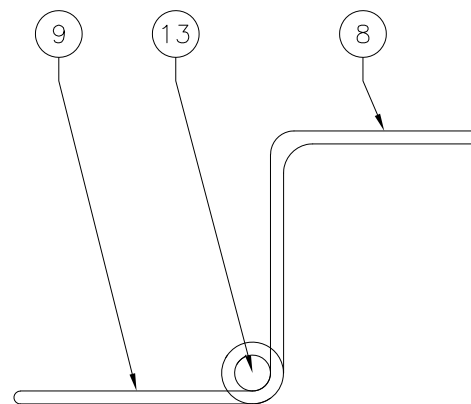
⑦ **STANDARD WALL HINGE**  
**STANDARD SHUTTER TIE DOWN**  
ALUMINUM 6063-T6 .139" THICK



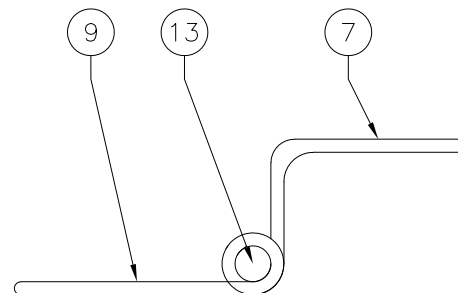
⑨ **INTERIOR HINGE**  
ALUMINUM 6063-T6 .139" THICK



⑩ **F-TRACK**  
ALUMINUM 6063-T6 .1875" THICK



**DOUBLE WALL HINGE ASSY**



**STANDARD WALL HINGE**

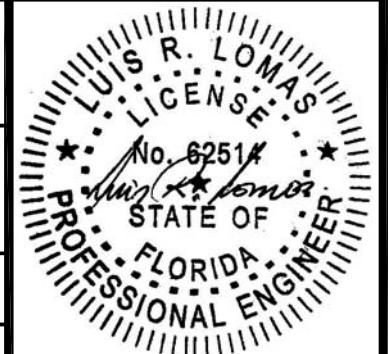
LAS ENTERPRISES  
2413 L & A ROAD  
METAIRIE, LA 70001

COLONIAL SERIES B NON-IMPACT  
STANDARD ALUMINUM SHUTTER  
BILL OF MATERIALS AND COMPONENTS

DRAWN: V.L.	DWG NO. 08-01488	REV B
SCALE NTS	DATE 02/13/12	SHEET 2 OF 6

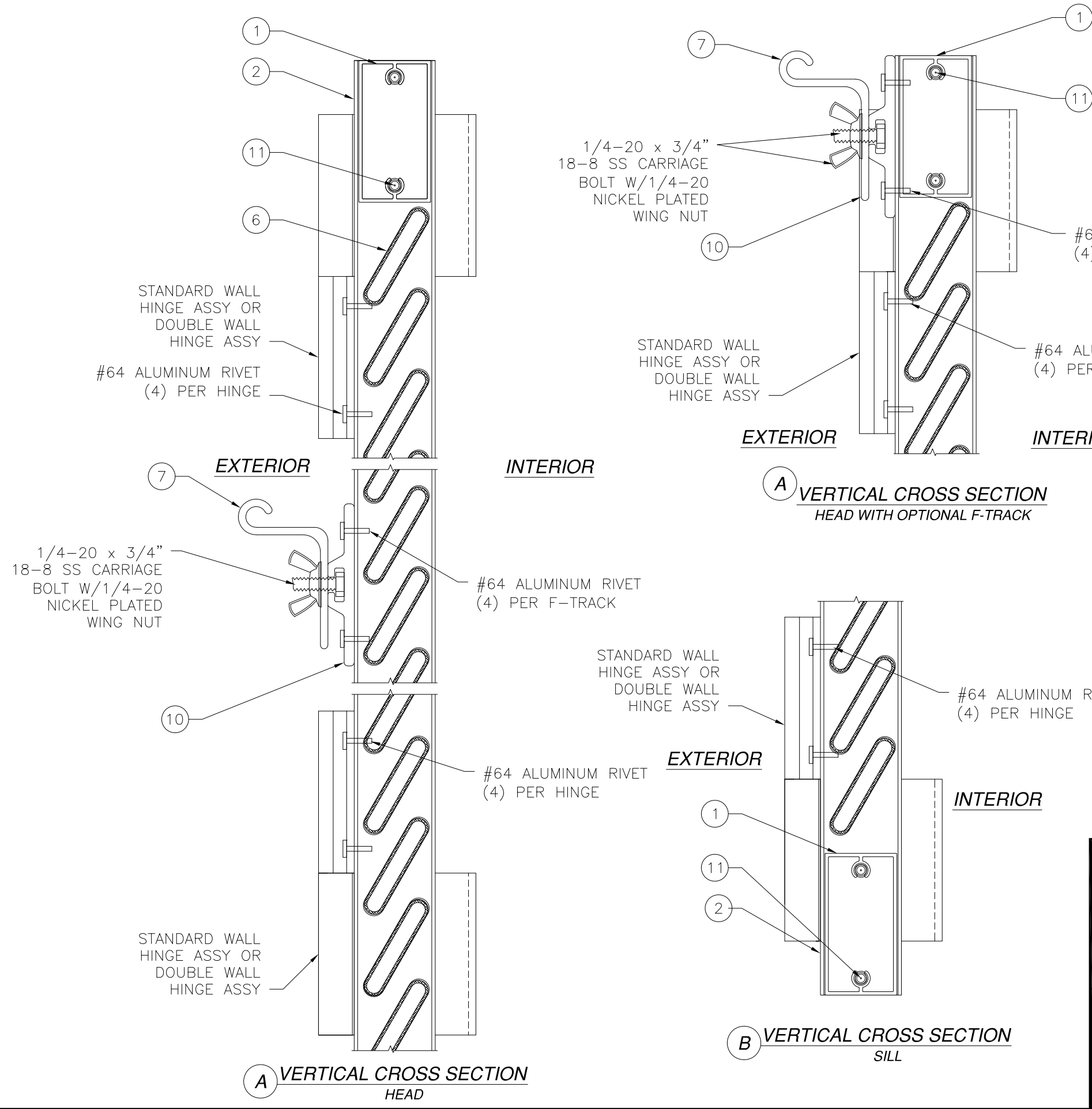
L. ROBERTO LOMAS P.E.  
208 7th Ave, INDIALANTIC, FL 32903  
434-688-0609 rllomas@rlomaspe.com

SIGNED: 10/26/2023



Luis R. Lomas P.E.  
FL No.: 62514

REVISIONS			
REV	DESCRIPTION	DATE	APPROVED
B	REVISED PER NEW CODE	08/16/2023	R.L.



**A** VERTICAL CROSS SECTION  
HEAD WITH OPTIONAL F-TRACK

**B** VERTICAL CROSS SECTION  
SILL

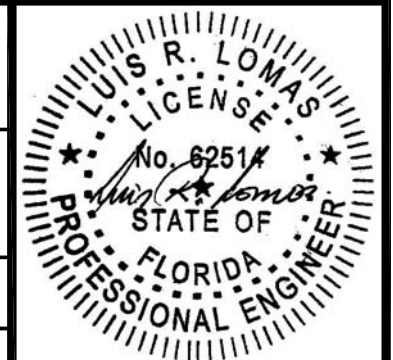
**LAS ENTERPRISES**  
2413 L & A ROAD  
METAIRIE, LA 70001

COLONIAL SERIES B NON-IMPACT  
STANDARD ALUMINUM SHUTTER  
VERTICAL CROSS SECTIONS

DRAWN: V.L.	DWG NO. 08-01488	REV B
SCALE NTS	DATE 02/13/12	SHEET 3 OF 6

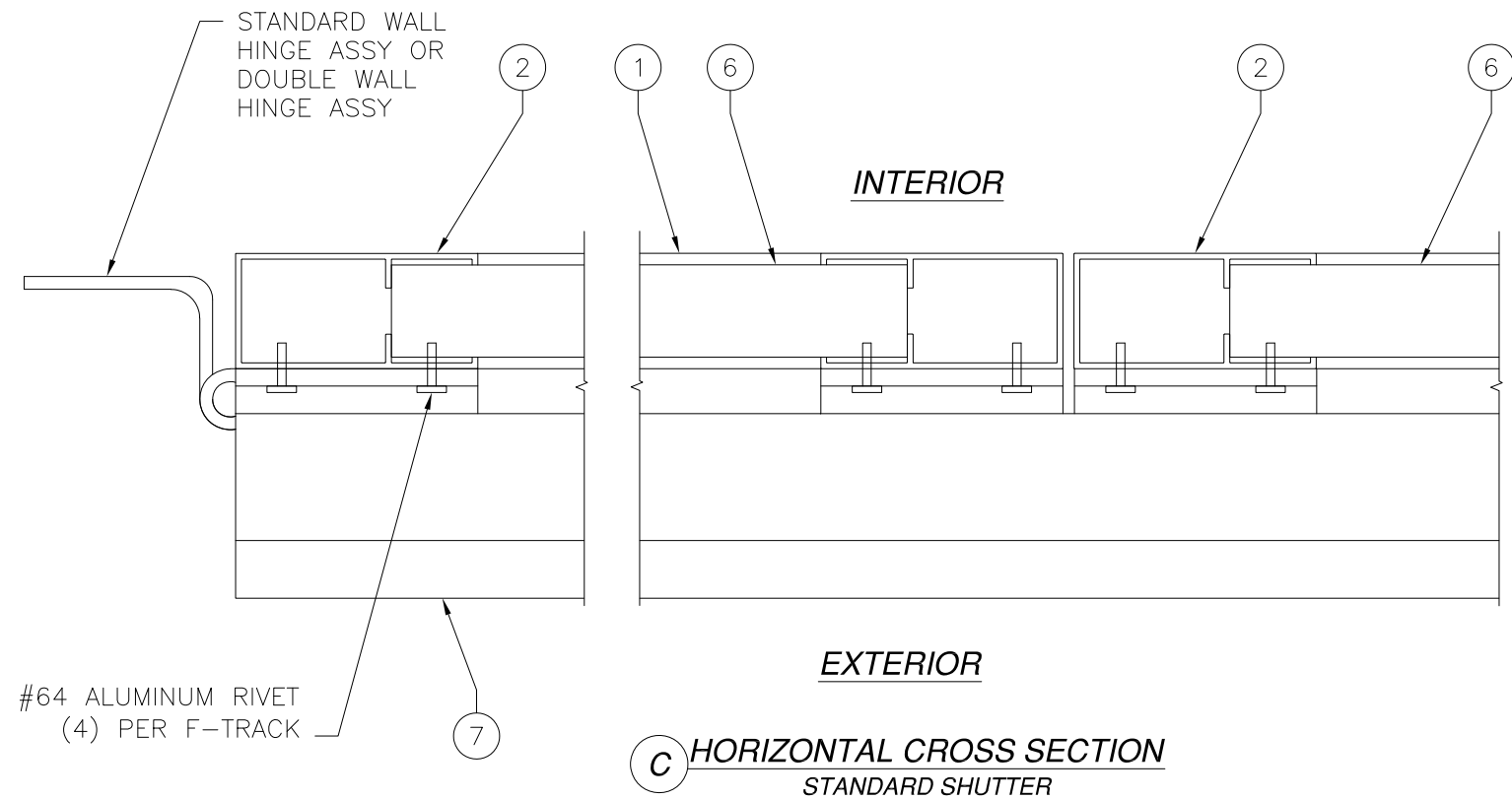
L. ROBERTO LOMAS P.E.  
208 7th Ave, INDIALANTIC, FL 32903  
434-688-0609 rllomas@lrlomaspe.com

SIGNED: 10/26/2023



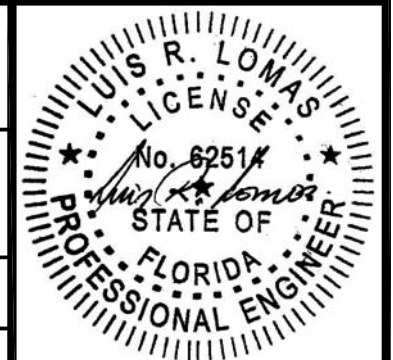
Luis R. Lomas P.E.  
FL No.: 62514

REVISIONS			
REV	DESCRIPTION	DATE	APPROVED
B	REVISED PER NEW CODE	08/16/2023	R.L.



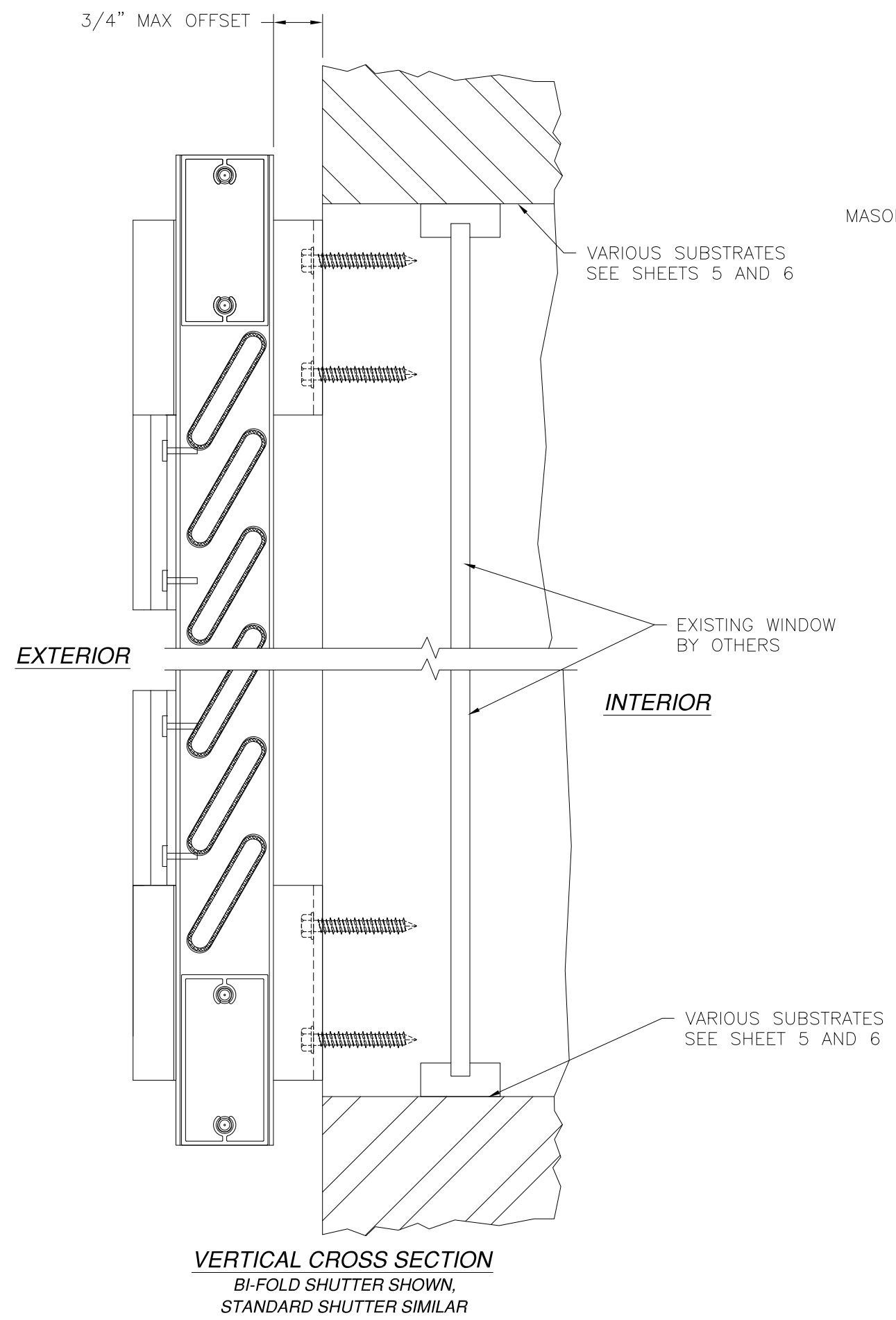
SIGNED: 10/26/2023

<b>LAS ENTERPRISES</b> 2413 L & A ROAD METAIRIE, LA 70001		
COLONIAL SERIES B NON-IMPACT STANDARD ALUMINUM SHUTTER HORIZONTAL CROSS SECTIONS		
DRAWN: V.L.	DWG NO. 08-01488	REV B
SCALE NTS	DATE 02/13/12	SHEET 4 OF 6
L. ROBERTO LOMAS P.E. 208 7th Ave, INDIALANTIC, FL 32903 434-688-0609 rllomas@lrlomaspe.com		

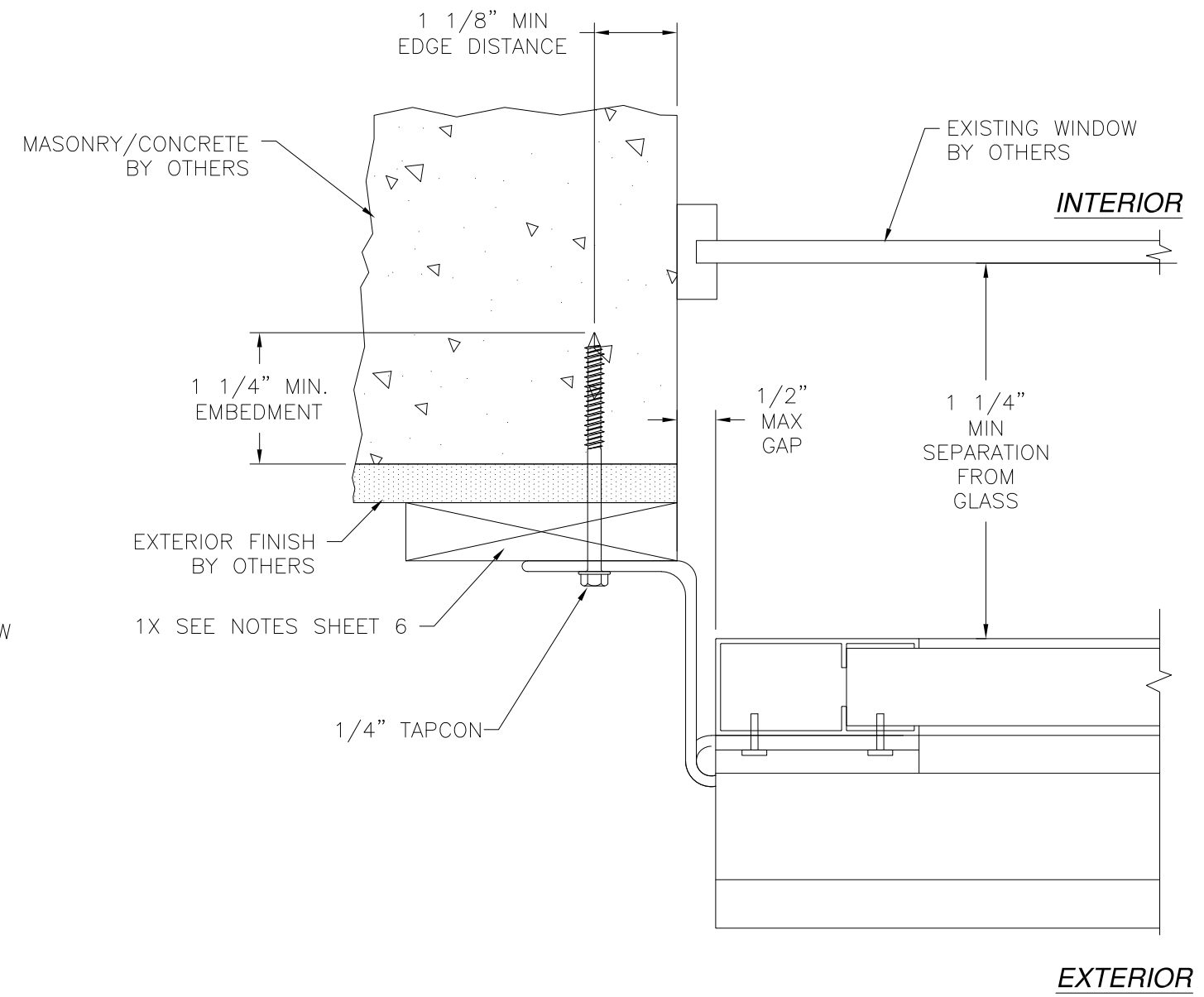


Luis R. Lomas P.E.  
FL No.: 62514

REVISIONS			
REV	DESCRIPTION	DATE	APPROVED
B	REVISED PER NEW CODE	08/16/2023	R.L.



**VERTICAL CROSS SECTION**  
 BI-FOLD SHUTTER SHOWN,  
 STANDARD SHUTTER SIMILAR



**HORIZONTAL CROSS SECTION**  
 MASONRY/CONCRETE INSTALLATION

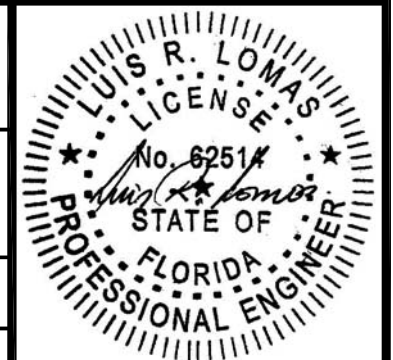
**LAS ENTERPRISES**  
 2413 L & A ROAD  
 METAIRIE, LA 70001

COLONIAL SERIES B NON-IMPACT  
 STANDARD ALUMINUM SHUTTER  
 INSTALLATION DETAILS

DRAWN: V.L.	DWG NO. 08-01488	REV B
SCALE NTS	DATE 02/13/12	SHEET 5 OF 6

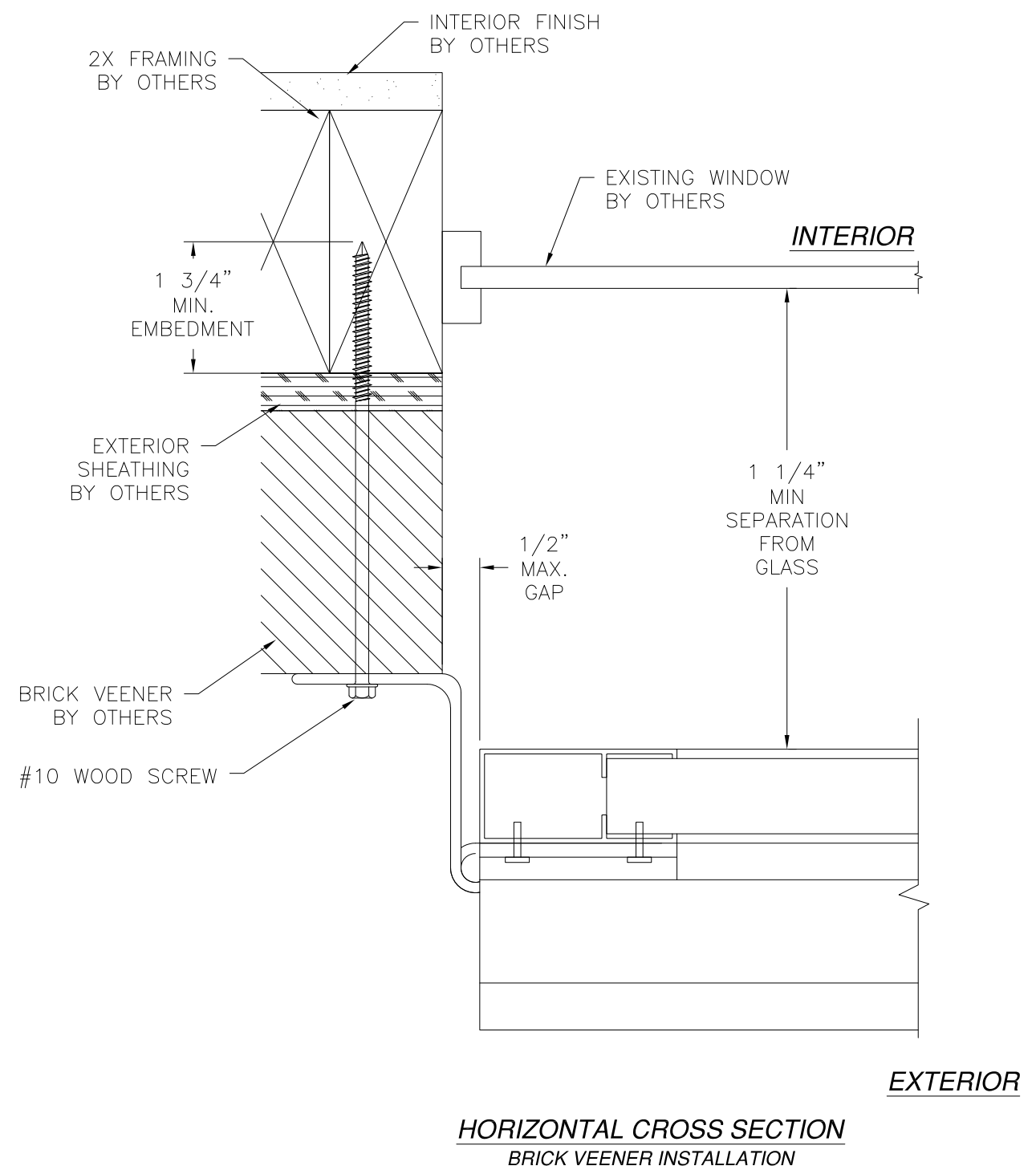
L. ROBERTO LOMAS P.E.  
 208 7th Ave, INDIALANTIC, FL 32903  
 434-688-0609 rllomas@rlomaspe.com

SIGNED: 10/26/2023



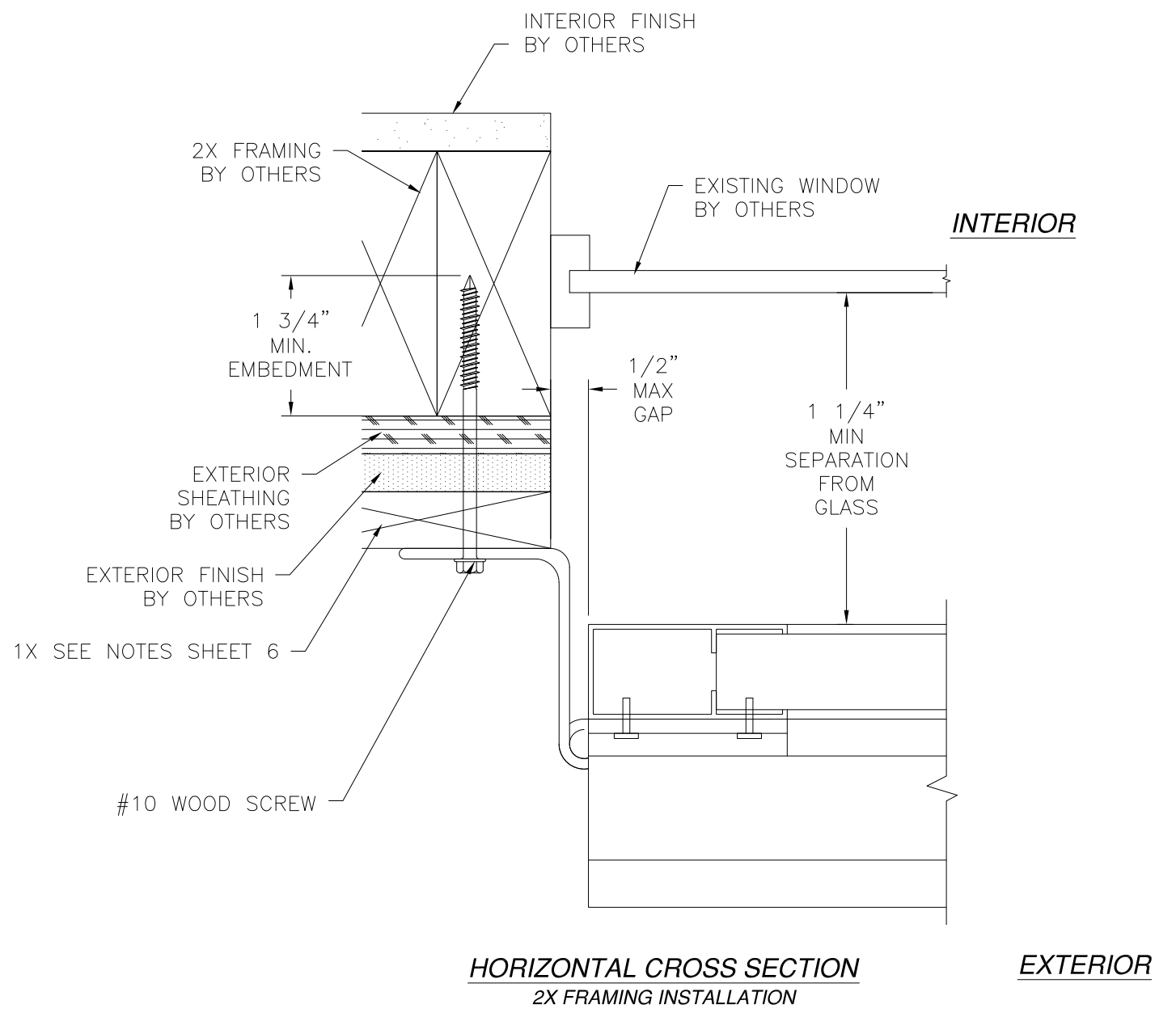
Luis R. Lomas P.E.  
 FL No.: 62514

REVISIONS			
REV	DESCRIPTION	DATE	APPROVED
B	REVISED PER NEW CODE	08/16/2023	R.L.



**HORIZONTAL CROSS SECTION**  
BRICK VEENER INSTALLATION

EXTERIOR



**HORIZONTAL CROSS SECTION**  
2X FRAMING INSTALLATION

EXTERIOR

- NOTES:
- 1) 1X BUCK TO BE INSTALLED WHEN EXTERIOR FINISH IS NOT ABLE TO WITHSTAND LOAD FROM SHUTTER.
  - 2) ANCHOR 1X BUCK TO 2X FRAMING USING #10 WOOD SCREWS WITH SUFFICIENT LENGTH TO ACHIEVE A 1 3/8" MINIMUM EMBEDMENT. LOCATE ANCHORS 4" FROM EACH CORNER AND 16" MAXIMUM O.C. THEREAFTER.
  - 3) ANCHOR 1X BUCK TO MASONRY USING 3/16" TAPCONS WITH SUFFICIENT LENGTH TO ACHIEVE A 1 1/4" MINIMUM EMBEDMENT. LOCATE ANCHORS 4" FROM EACH CORNER AND 16" MAXIMUM O.C. THEREAFTER.

SIGNED: 10/26/2023

LAS ENTERPRISES  
2413 L & A ROAD  
METAIRIE, LA 70001

COLONIAL SERIES B NON-IMPACT  
STANDARD ALUMINUM SHUTTER  
INSTALLATION DETAILS

DRAWN: V.L.	DWG NO. 08-01488	REV B
SCALE NTS	DATE 02/13/12	SHEET 6 OF 6

L. ROBERTO LOMAS P.E.  
208 7th Ave, INDIALANTIC, FL 32903  
434-688-0609 rllomas@rlomaspe.com

Luis R. Lomas P.E.  
FL No.: 62514