

REVISIONS			
REV	DESCRIPTION	DATE	APPROVED
B	REVISED PER NEW CODE	08/16/2023	R.L.

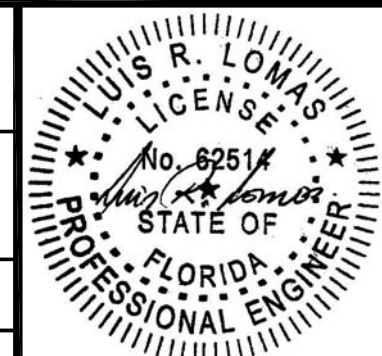
NOTES:

1. THE PRODUCT SHOWN HEREIN IS DESIGNED AND MANUFACTURED TO COMPLY WITH REQUIREMENTS OF THE FLORIDA BUILDING CODE.
2. WOOD FRAMING AND MASONRY OPENING TO BE DESIGNED AND ANCHORED TO PROPERLY TRANSFER ALL LOADS TO STRUCTURE. FRAMING AND MASONRY OPENING IS THE RESPONSIBILITY OF THE ARCHITECT OR ENGINEER OF RECORD.
3. ALLOWABLE STRESS INCREASE OF 1/3 WAS NOT USED IN THE DESIGN OF THE PRODUCT SHOWN HEREIN. WIND LOAD DURATION FACTOR $C_d=1.6$ WAS USED FOR WOOD ANCHOR CALCULATIONS.
4. SHUTTER FRAME AND BLADES MATERIAL: ALUMINUM 6063-T6.
5. APPROVED IMPACT PROTECTIVE SYSTEM IS REQUIRED FOR THIS PRODUCT IN WIND BORNE DEBRIS REGIONS.
6. FOR ANCHORING INTO MASONRY USE 1/4" ITW TAPCONS WITH SUFFICIENT LENGTH TO ACHIEVE A 1 1/4" MINIMUM EMBEDMENT INTO SUBSTRATE WITH 2 5/16" MINIMUM EDGE DISTANCE AND 1 3/4" MINIMUM SEPARATION. LOCATE ANCHORS AS SHOWN IN ELEVATIONS AND INSTALLATION DETAILS.
7. FOR ANCHORING INTO WOOD FRAMING OR 2X BUCK OR THROUGH BRICK VEENER INTO WOOD FRAMING OR 2X BUCK USE #10 WOOD SCREW WITH SUFFICIENT LENGTH TO ACHIEVE A 1 3/4" MINIMUM EMBEDMENT INTO SUBSTRATE. LOCATE ANCHORS AS SHOWN IN ELEVATIONS AND INSTALLATION DETAILS.
8. FOR ANCHORING INTO MASONRY/CONCRETE USE 1/4" TAPCON WITH SUFFICIENT LENGTH TO ACHIEVE A 1 1/4" MINIMUM EMBEDMENT INTO SUBSTRATE. LOCATE ANCHORS AS SHOWN IN ELEVATIONS AND INSTALLATION DETAILS.
9. ALL FASTENERS TO BE CORROSION RESISTANT.
10. INSTALLATION ANCHORS SHALL BE INSTALLED IN ACCORDANCE WITH ANCHOR MANUFACTURER'S INSTALLATION INSTRUCTIONS, AND ANCHORS SHALL NOT BE USED IN SUBSTRATES WITH STRENGTHS LESS THAN THE MINIMUM STRENGTH SPECIFIED BELOW:
 - 10.1. WOOD - MINIMUM SPECIFIC GRAVITY OF $G=0.42$
 - 10.2. CONCRETE - MINIMUM COMPRESSIVE STRENGTH OF 2,000 PSI.
 - 10.3. MASONRY - STRENGTH CONFORMANCE TO ASTM C-90, GRADE N, TYPE 1 (OR GREATER).

SIGNED: 10/26/2023

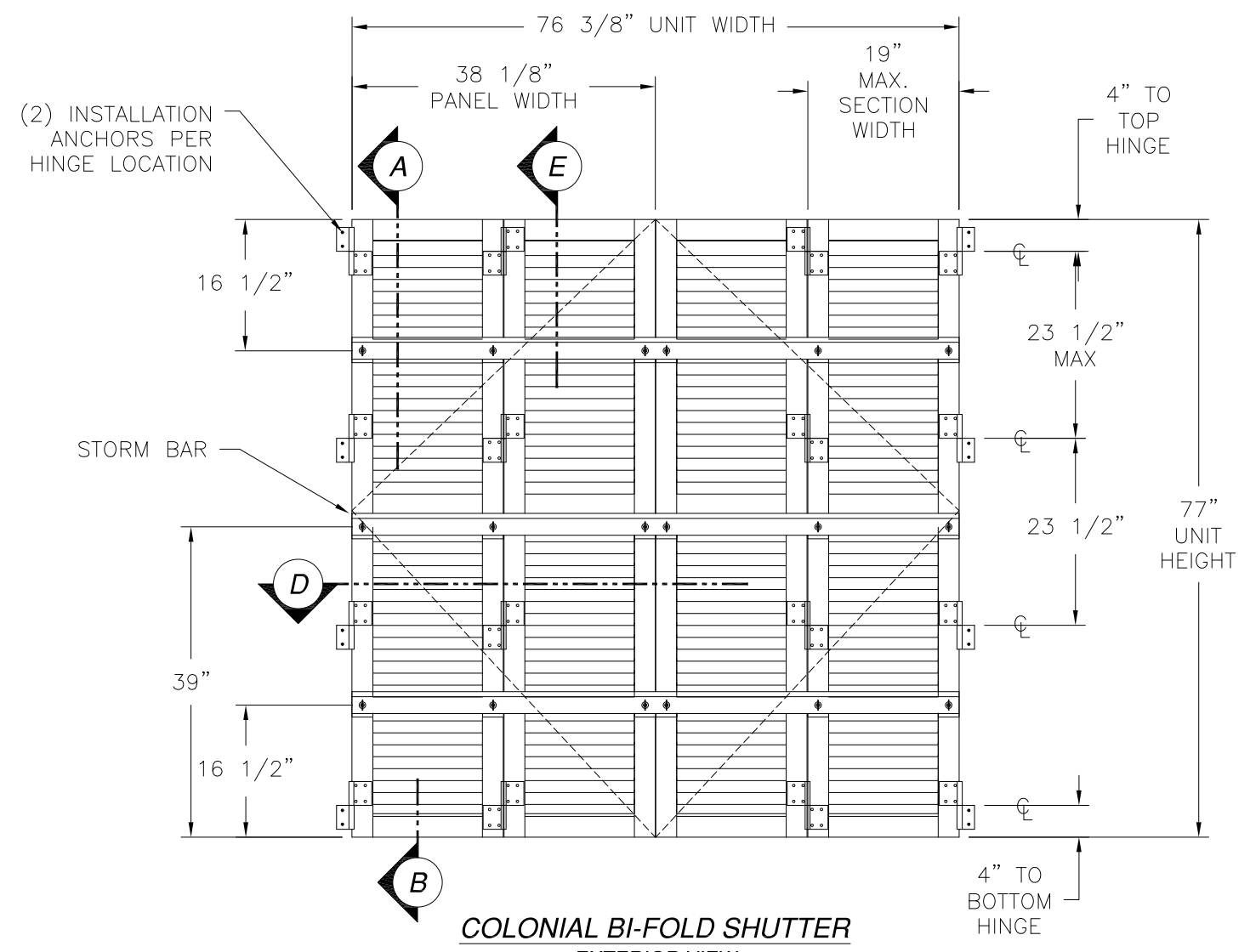
TABLE OF CONTENTS	
SHEET NO.	DESCRIPTION
1	NOTES
2 - 4	BILL OF MATERIALS AND COMPONENTS
4 - 5	CROSS SECTIONS
6 - 7	INSTALLATION DETAILS

LAS ENTERPRISES 2413 L & A ROAD METAIRIE, LA 70001		
COLONIAL SHUTTER BI-FOLD NON-IMPACT NOTES		
DRAWN: A.P.	DWG NO. 08-01681	REV B
SCALE NTS	DATE 10/08/12	SHEET 1 OF 7
L. ROBERTO LOMAS P.E. 208 7th Ave, INDIALANTIC, FL 32903 434-688-0609 rllomas@lrlomaspe.com		

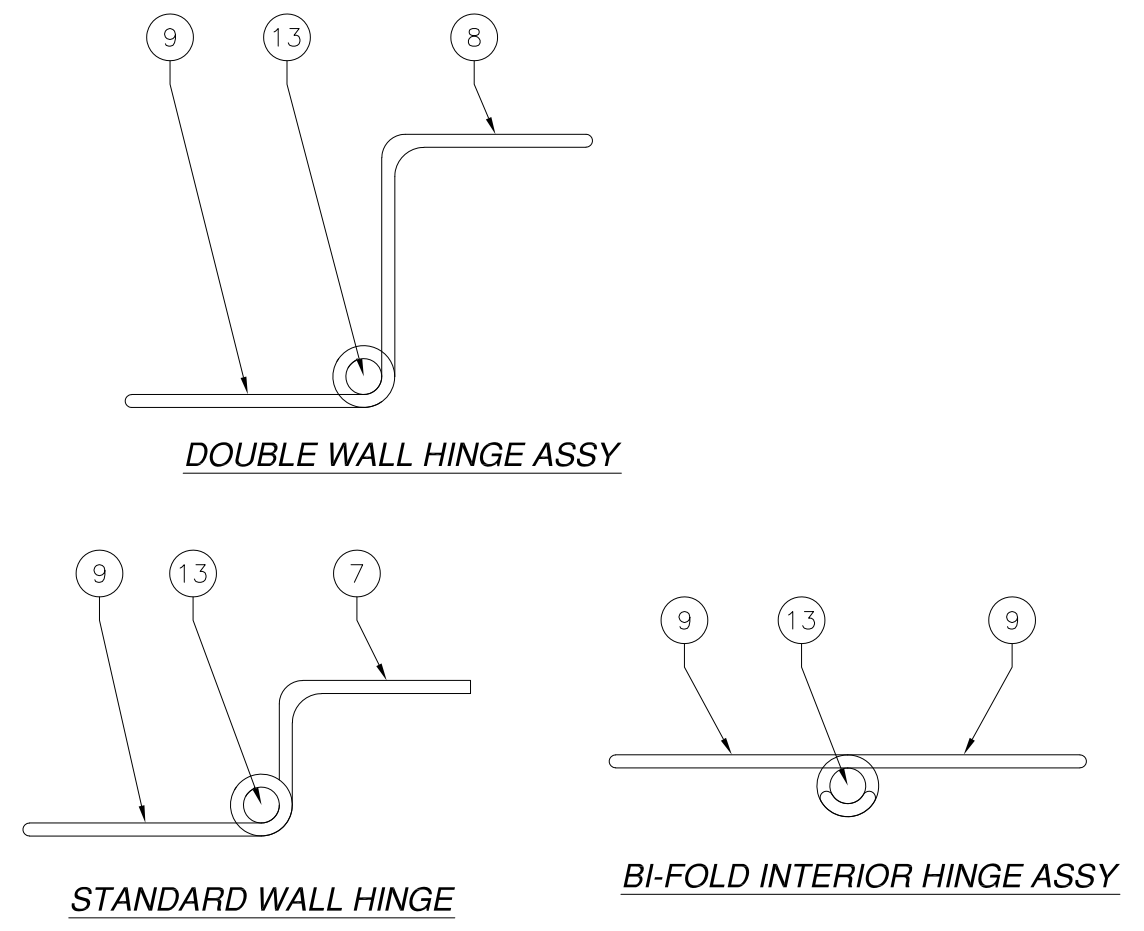


Luis R. Lomas P.E.
FL No.: 62514

REVISIONS			
REV	DESCRIPTION	DATE	APPROVED
B	REVISED PER NEW CODE	08/16/2023	R.L.



DESIGN PRESSURE RATING	IMPACT RATING
±40.0PSF	NONE



SIGNED: 10/26/2023

LAS ENTERPRISES
2413 L & A ROAD
METAIRIE, LA 70001

COLONIAL SHUTTER
BI-FOLD NON-IMPACT
ELEVATION AND COMPONENTS

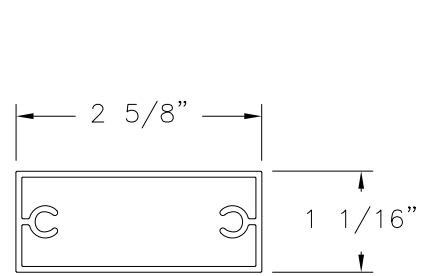
DRAWN: A.P.	DWG NO. 08-01681	REV B
SCALE NTS	DATE 10/08/12	SHEET 2 OF 7

L. ROBERTO LOMAS P.E.
208 7th Ave, INDIALANTIC, FL 32903
434-688-0609 rllomas@lrlomaspe.com

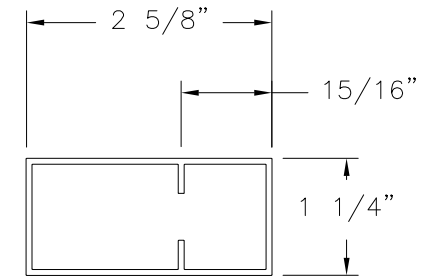
Luis R. Lomas P.E.
FL No.: 62514

PARTS LIST				
NO.	PART NUMBER	DESCRIPTION	MANUFACTURER	MATERIAL
1	12118	FRAME TOP/BOTTOM	LAS ENTERPRISES	ALUMINUM 6063-T6
2	12117	FRAME SIDE	LAS ENTERPRISES	ALUMINUM 6063-T6
3		CLIP	GENESIS TEK, LLC	DELIN POM
4		BULLIT	GENESIS TEK, LLC	DELIN POM
5	AF3142	D/N COLBL W/SCREW COGS	LAS ENTERPRISES	ALUMINUM 6063-T6
6	AF3136	D/N COLBL W/O SCREW COGS	LAS ENTERPRISES	ALUMINUM 6063-T6
7	11404	STANDARD WALL HINGE	LAS ENTERPRISES	ALUMINUM 6063-T6
8	11403	BI-FOLD WALL HINGE	LAS ENTERPRISES	ALUMINUM 6063-T6
9	11405	BI-FOLD INTERMEDIATE HINGE	LAS ENTERPRISES	ALUMINUM 6063-T6
10	12115	F-TRACK	LAS ENTERPRISES	ALUMINUM 6063-T6
11		#14 x 2" PAN HEAD SMS		

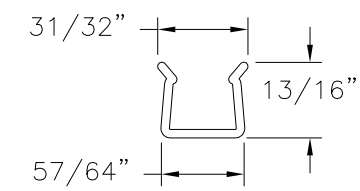
REVISIONS			
REV	DESCRIPTION	DATE	APPROVED
B	REVISED PER NEW CODE	08/16/2023	R.L.



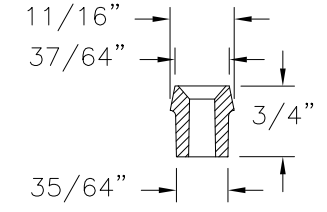
① **FRAME TOP/BOTTOM**
ALUMINUM 6063-T6 .063" THICK



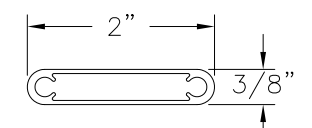
② **FRAME SIDE**
ALUMINUM 6063-T6 .063" THICK



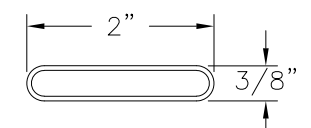
③ **CLIP**
DELIN POM .091" THICK



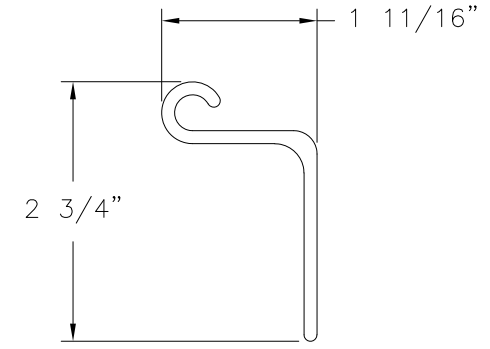
④ **BULLIT**
DELIN POM



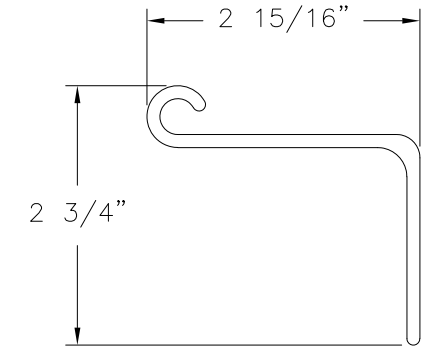
⑤ **D/N COLBL W/SCREW COGS**
ALUMINUM 6063-T6 .050" THICK



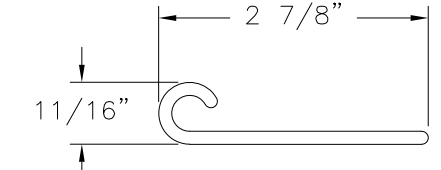
⑥ **D/N COLBL W/O SCREW COGS**
ALUMINUM 6063-T6 .040" THICK



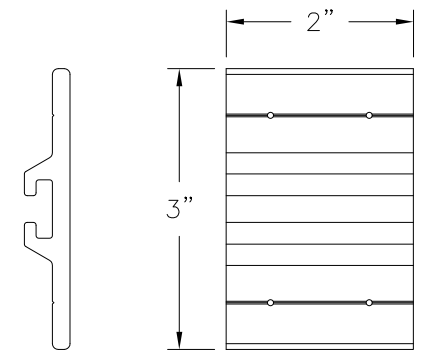
⑦ **STANDARD WALL HINGE**
ALUMINUM 6063-T6 .139" THICK



⑧ **DOUBLE WALL HINGE**
ALUMINUM 6063-T6 .139" THICK



⑨ **BI-FOLD INTERIOR HINGE**
ALUMINUM 6063-T6 .139" THICK



⑩ **F-TRACK**
ALUMINUM 6063-T6 .1875" THICK

LAS ENTERPRISES
2413 L & A ROAD
METAIRIE, LA 70001

COLONIAL SHUTTER
BI-FOLD NON-IMPACT
BILL OF MATERIAL AND COMPONENTS

DRAWN: A.P.	DWG NO. 08-01681	REV B
SCALE NTS	DATE 10/08/12	SHEET 3 OF 7

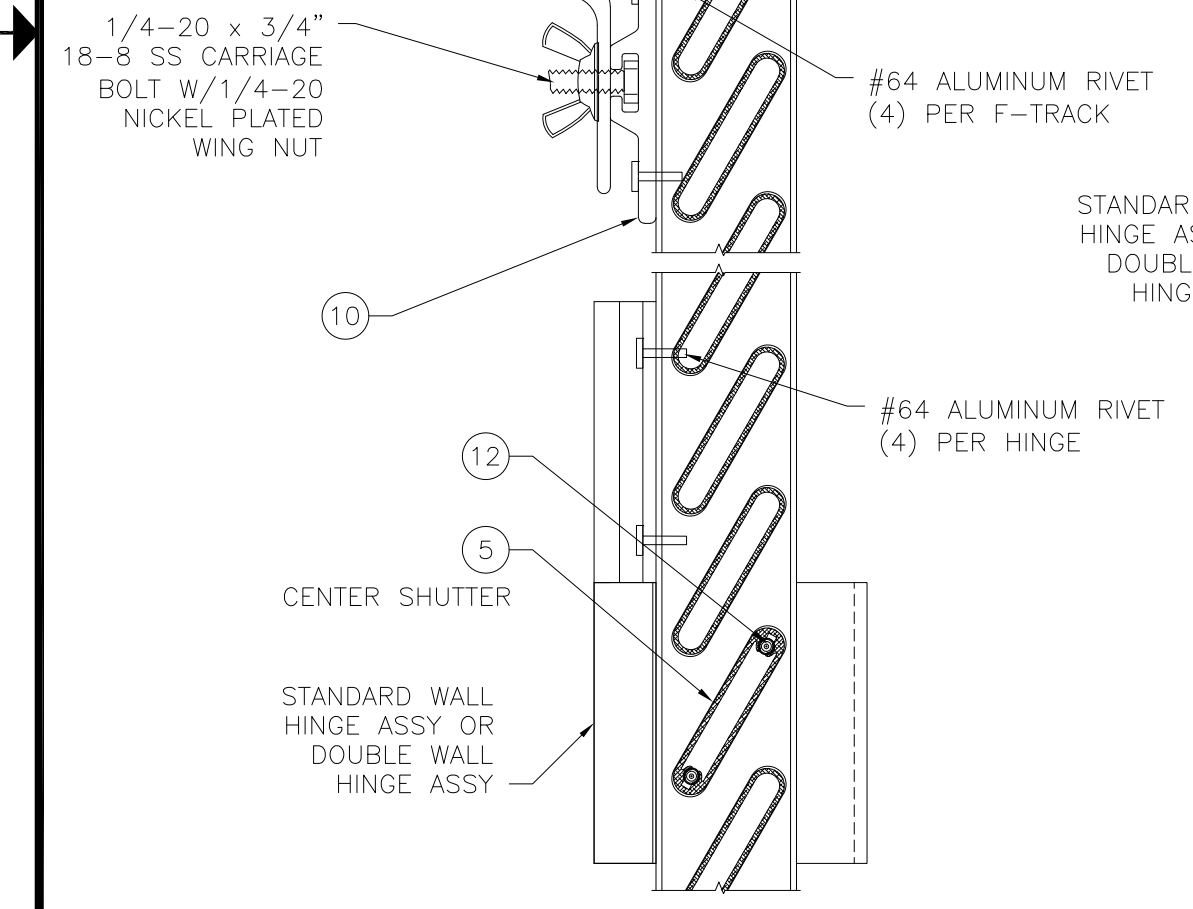
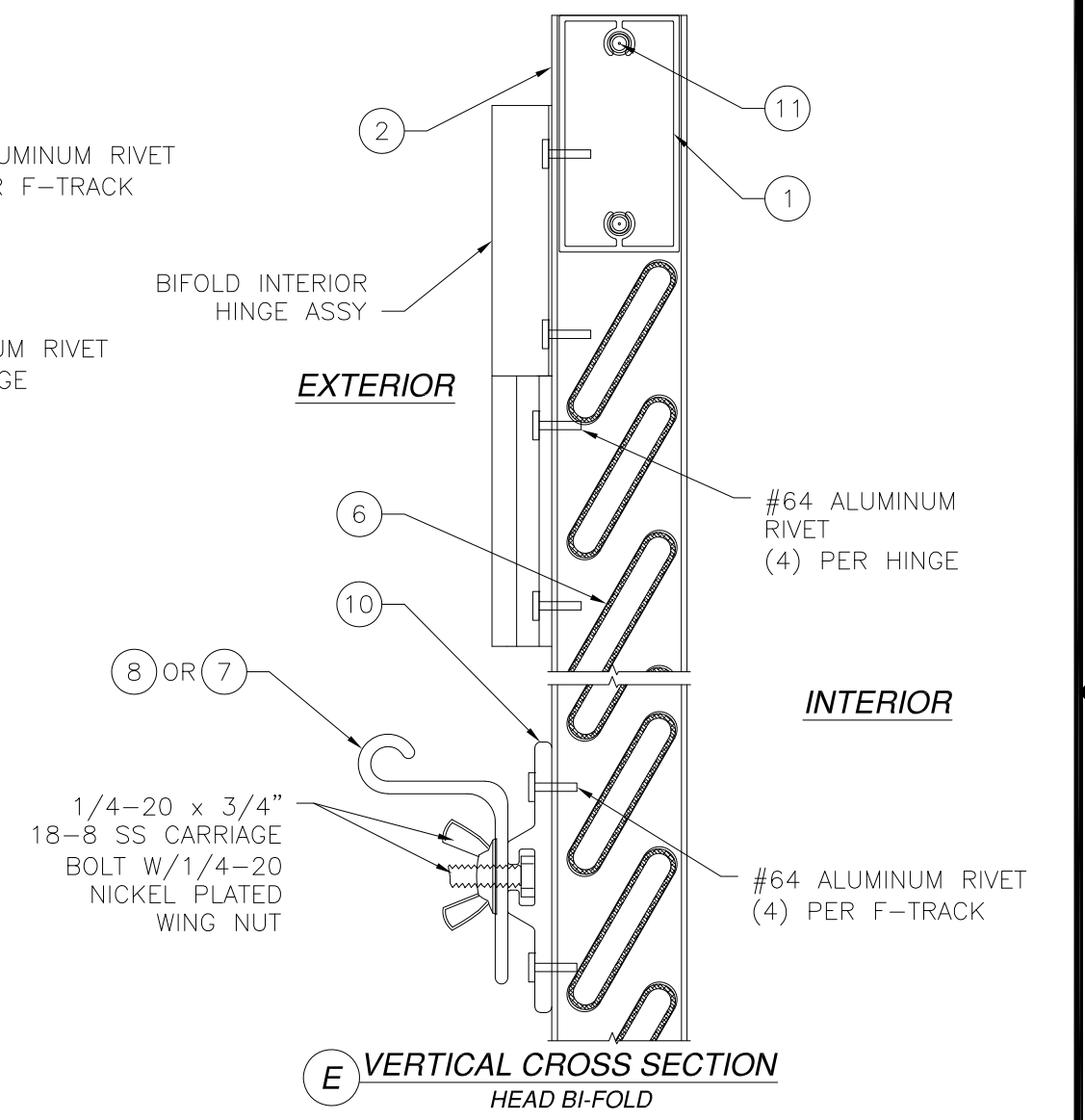
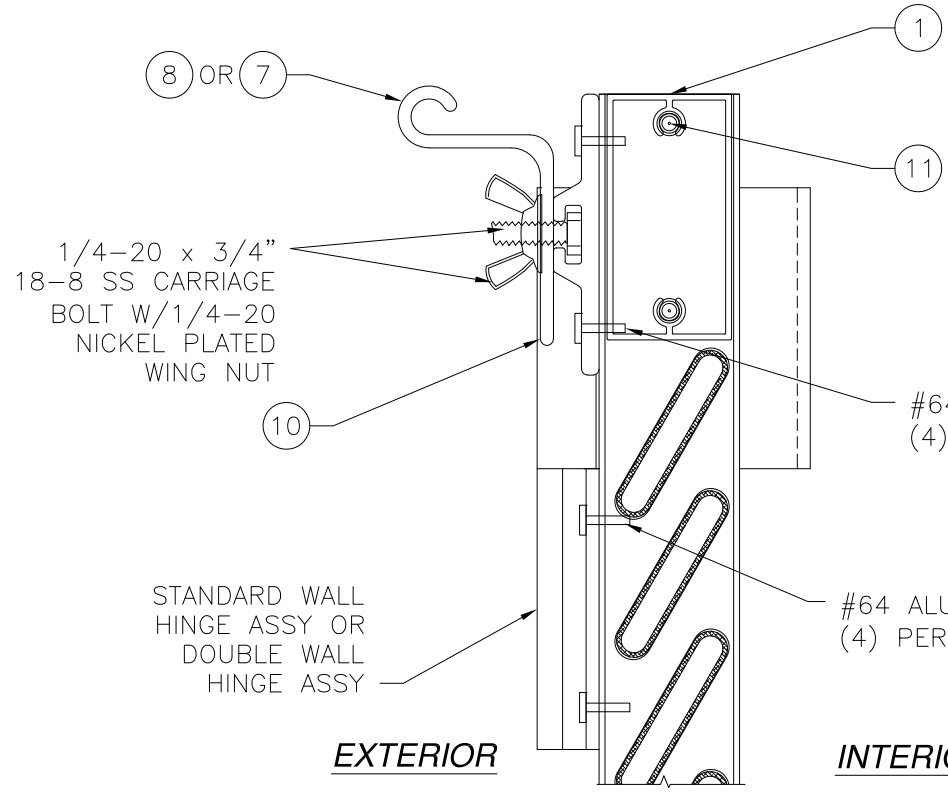
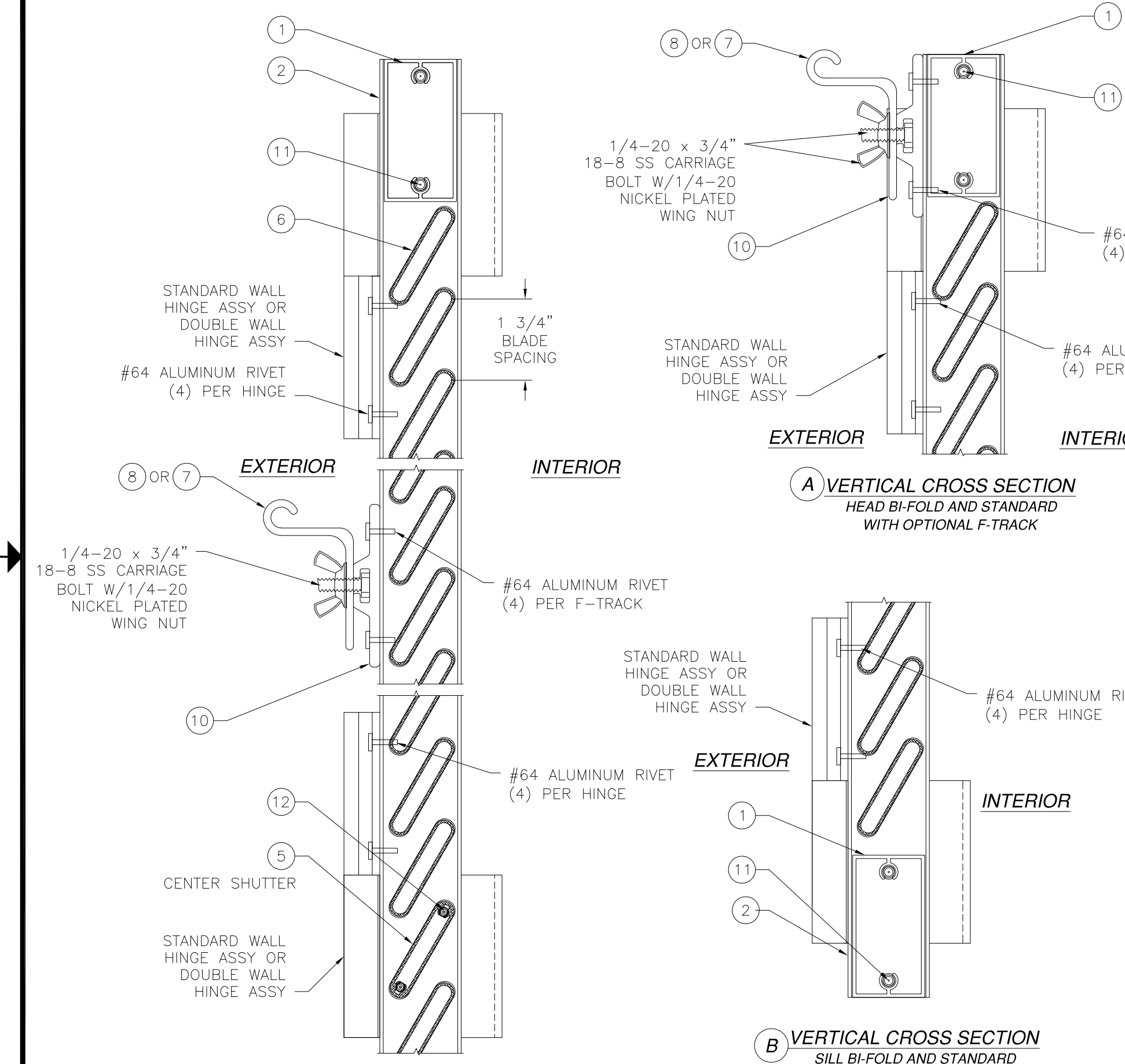
L. ROBERTO LOMAS P.E.
208 7th Ave, INDIALANTIC, FL 32903
434-688-0609 rllomas@lrlomaspe.com

SIGNED: 10/26/2023



Luis R. Lomas P.E.
FL No.: 62514

REVISIONS			
REV	DESCRIPTION	DATE	APPROVED
B	REVISED PER NEW CODE	08/16/2023	R.L.



LAS ENTERPRISES
2413 L & A ROAD
METAIRIE, LA 70001

COLONIAL SHUTTER
BI-FOLD NON-IMPACT
VERTICAL CROSS SECTIONS

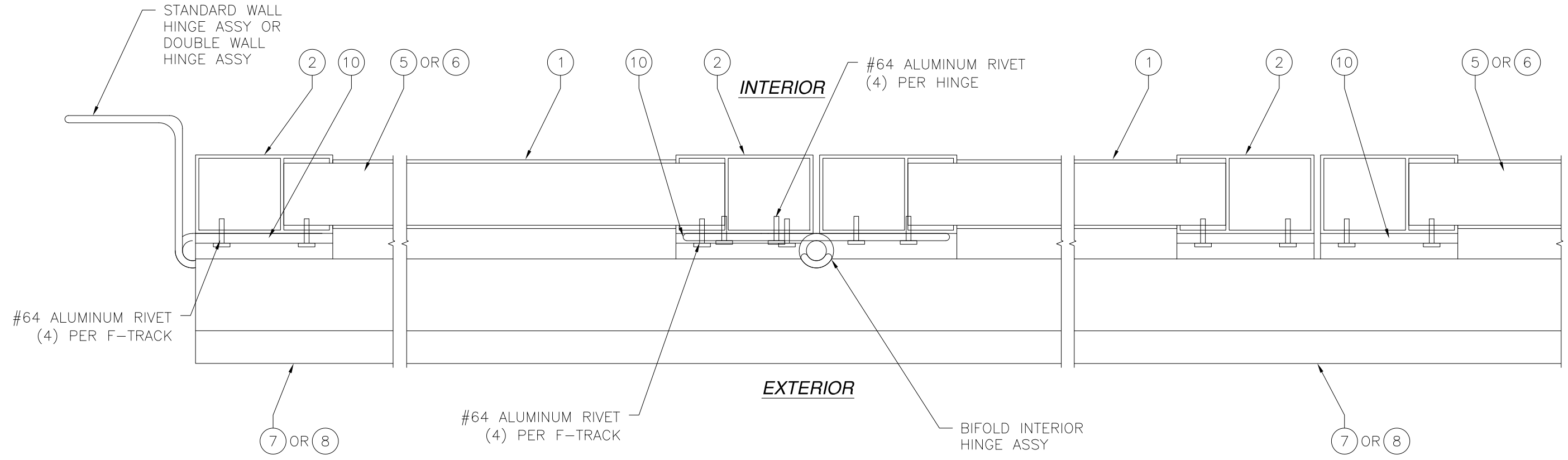
DRAWN: A.P.	DWG NO. 08-01681	REV B
SCALE NTS	DATE 10/08/12	SHEET 4 OF 7

L. ROBERTO LOMAS P.E.
208 7th Ave, INDIALANTIC, FL 32903
434-688-0609 rllomas@rlomaspe.com

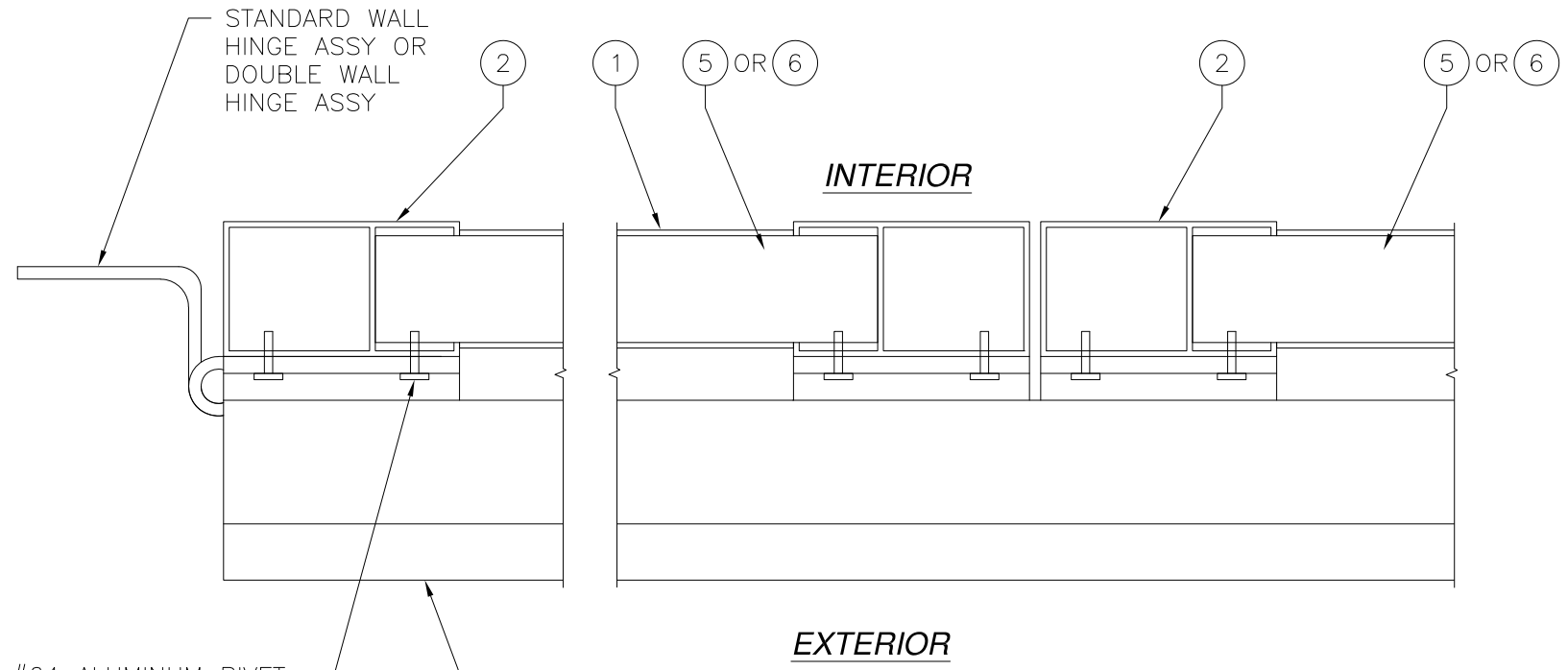
SIGNED: 10/26/2023

Luis R. Lomas P.E.
FL No.: 62514

REVISIONS			
REV	DESCRIPTION	DATE	APPROVED
B	REVISED PER NEW CODE	08/16/2023	R.L.



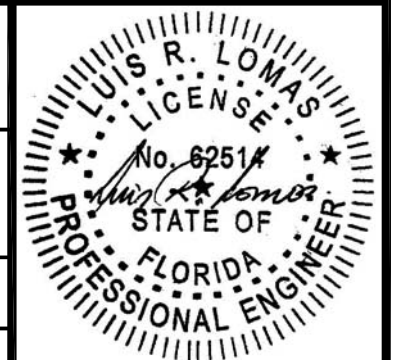
D HORIZONTAL CROSS SECTION
BI-FOLD SHUTTER



C HORIZONTAL CROSS SECTION
STANDARD SHUTTER

SIGNED: 10/26/2023

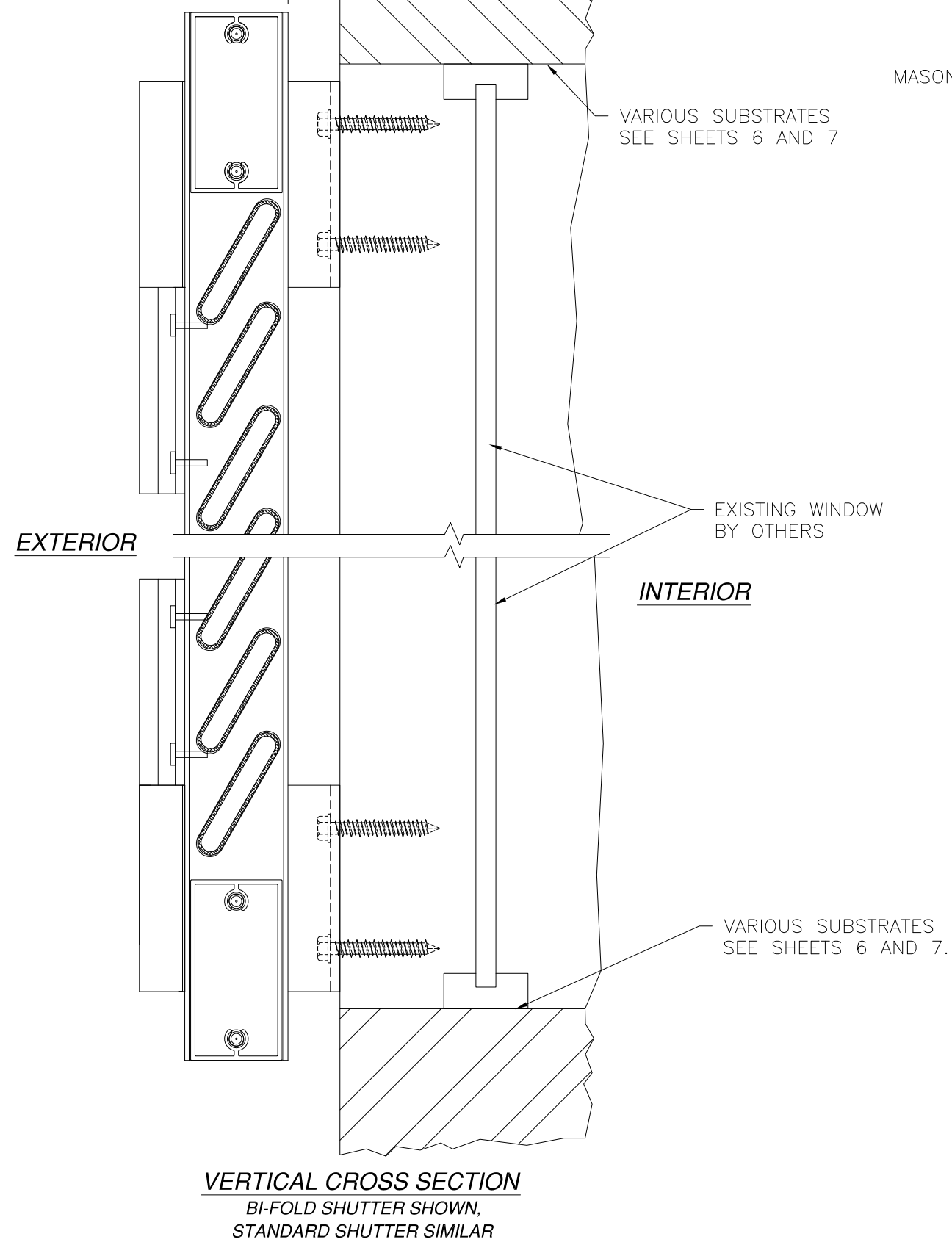
LAS ENTERPRISES 2413 L & A ROAD METAIRIE, LA 70001		
COLONIAL SHUTTER BI-FOLD NON-IMPACT HORIZONTAL CROSS SECTIONS		
DRAWN: A.P.	DWG NO. 08-01681	REV B
SCALE NTS	DATE 10/08/12	SHEET 5 OF 7
L. ROBERTO LOMAS P.E. 208 7th Ave, INDIALANTIC, FL 32903 434-688-0609 rllomas@lrlomaspe.com		



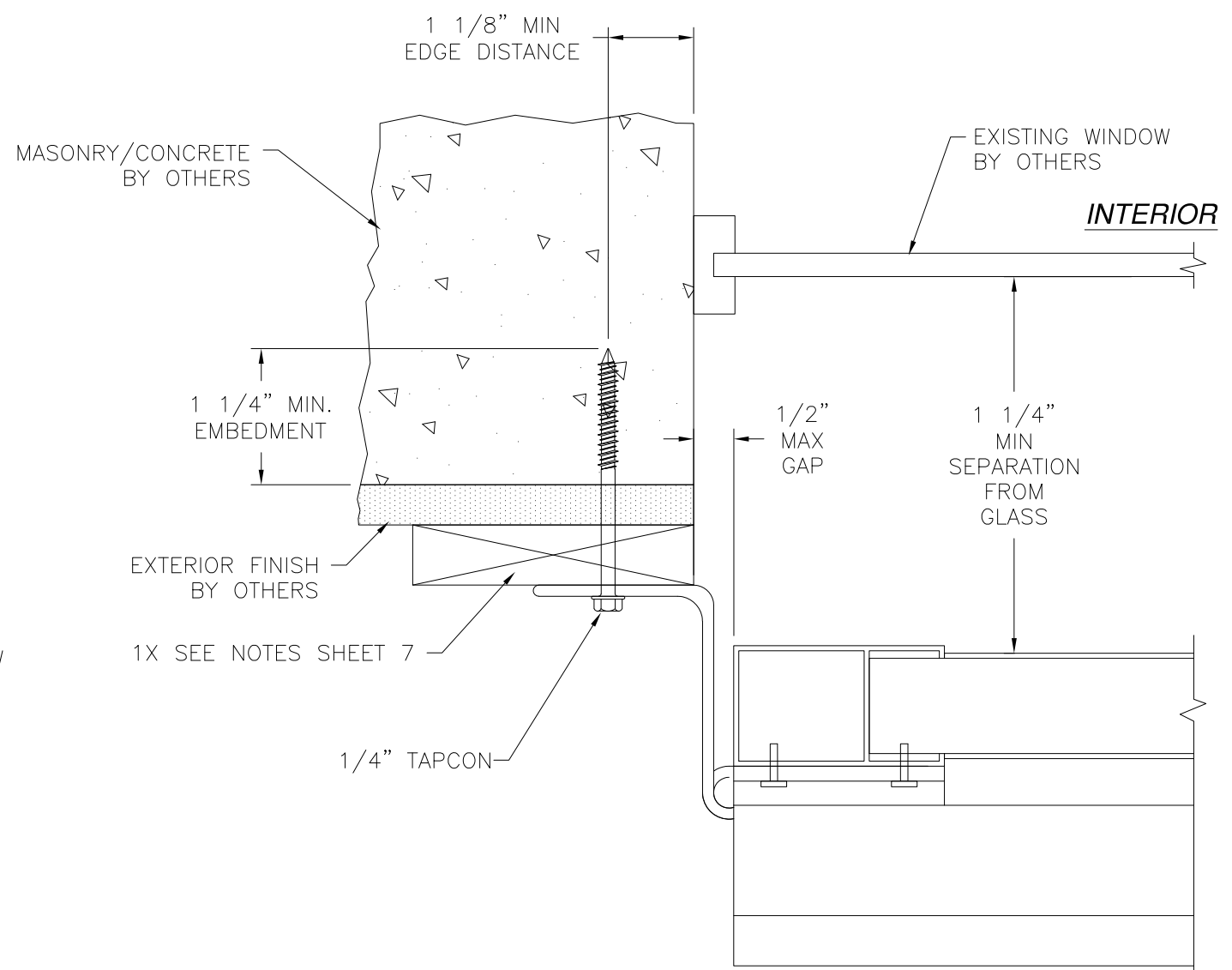
Luis R. Lomas P.E.
FL No.: 62514

3/4" OFFSET BI-FOLD SHUTTER
STANDARD SHUTTER IS FLUSH

REVISIONS			
REV	DESCRIPTION	DATE	APPROVED
B	REVISED PER NEW CODE	08/16/2023	R.L.



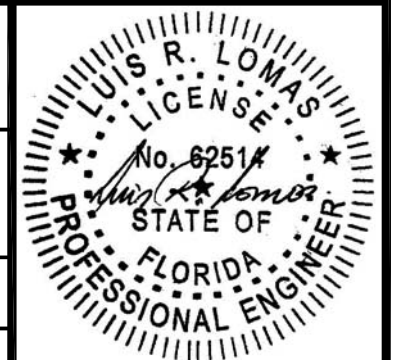
VERTICAL CROSS SECTION
BI-FOLD SHUTTER SHOWN,
STANDARD SHUTTER SIMILAR



HORIZONTAL CROSS SECTION
MASONRY/CONCRETE INSTALLATION

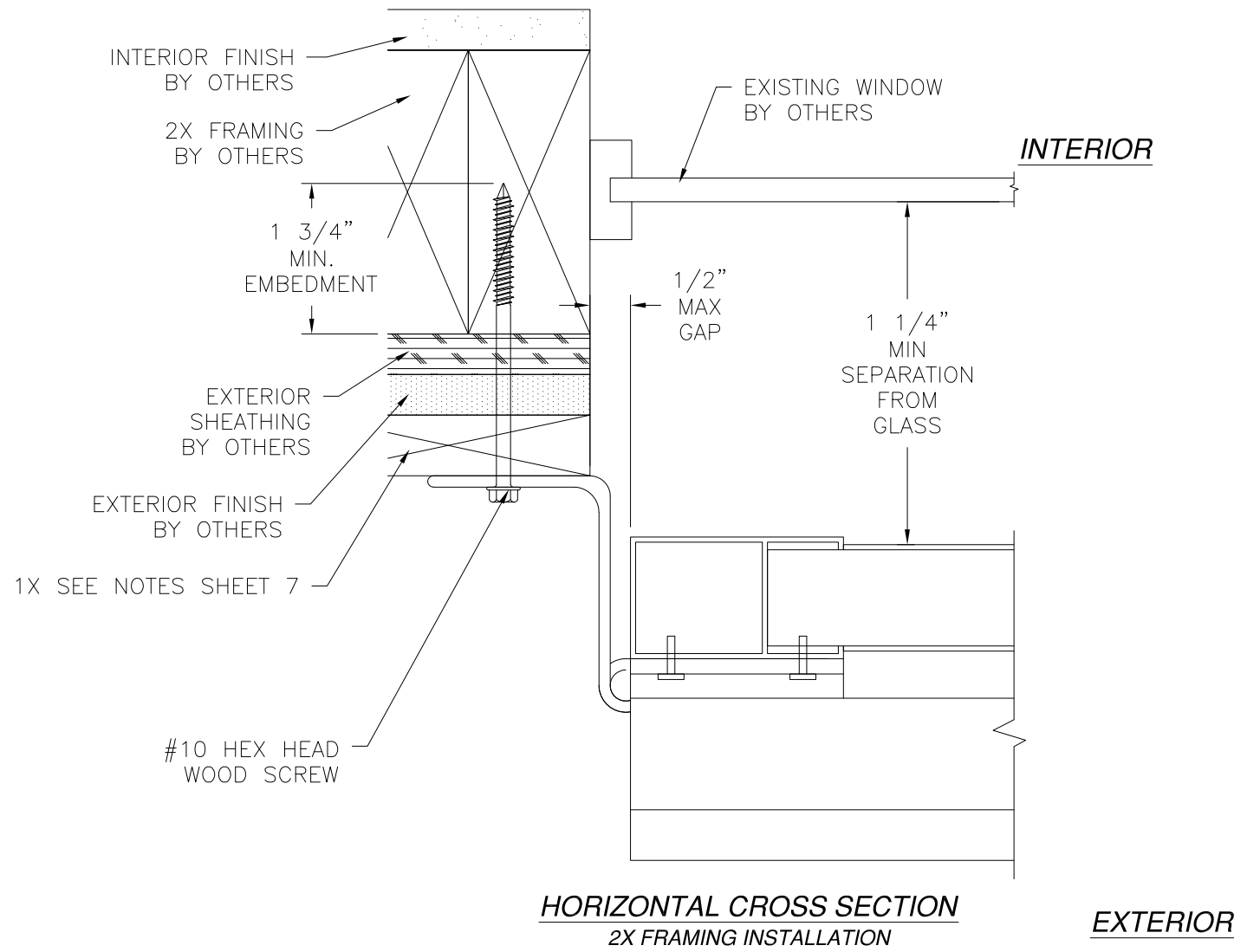
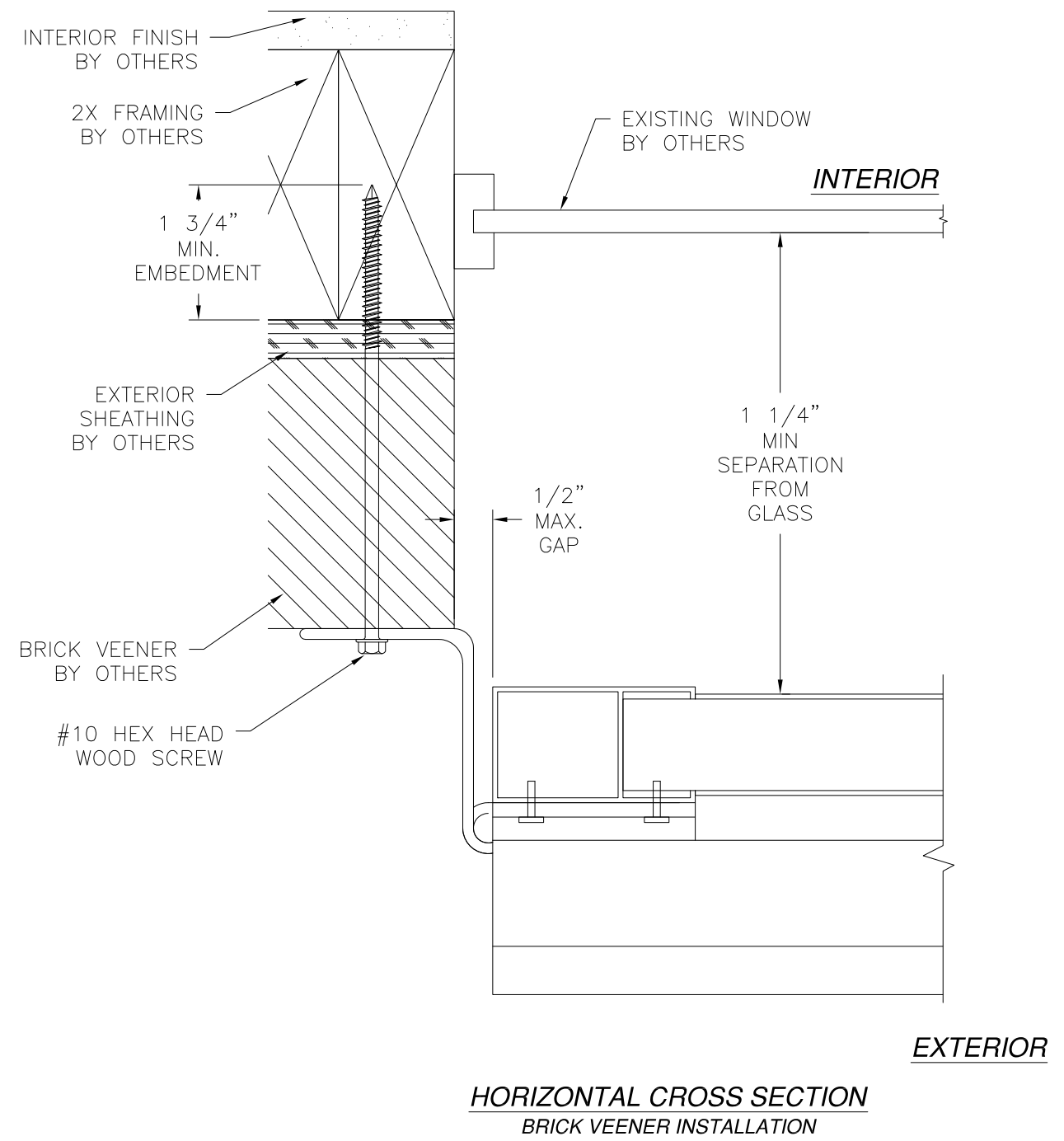
SIGNED: 10/26/2023

<p>LAS ENTERPRISES 2413 L & A ROAD METAIRIE, LA 70001</p>		
<p>COLONIAL SHUTTER BI-FOLD NON-IMPACT INSTALLATION DETAILS</p>		
<p>DRAWN: A.P.</p>	<p>DWG NO. 08-01681</p>	<p>REV B</p>
<p>SCALE NTS</p>	<p>DATE 10/08/12</p>	<p>SHEET 6 OF 7</p>
<p>L. ROBERTO LOMAS P.E. 208 7th Ave, INDIALANTIC, FL 32903 434-688-0609 rllomas@lrlomaspe.com</p>		



Luis R. Lomas P.E.
FL No.: 62514

REVISIONS			
REV	DESCRIPTION	DATE	APPROVED
B	REVISED PER NEW CODE	08/16/2023	R.L.



- NOTES:
- 1) 1X BUCK TO BE INSTALLED WHEN EXTERIOR FINISH IS NOT ABLE TO WITHSTAND LOAD FROM SHUTTER.
 - 2) ANCHOR 1X BUCK TO 2X FRAMING USING #10 WOOD SCREWS WITH SUFFICIENT LENGTH TO ACHIEVE A 1 3/8" MINIMUM EMBEDMENT. LOCATE ANCHORS 4" FROM EACH CORNER AND 16" MAXIMUM O.C. THEREAFTER.
 - 3) ANCHOR 1X BUCK TO MASONRY USING 3/16" TAPCONS WITH SUFFICIENT LENGTH TO ACHIEVE A 1 1/4" MINIMUM EMBEDMENT. LOCATE ANCHORS 4" FROM EACH CORNER AND 16" MAXIMUM O.C. THEREAFTER.

LAS ENTERPRISES
2413 L & A ROAD
METAIRIE, LA 70001

COLONIAL SHUTTER
BI-FOLD NON-IMPACT
INSTALLATION DETAILS

DRAWN: A.P.	DWG NO. 08-01681	REV B
SCALE NTS	DATE 10/08/12	SHEET 7 OF 7

L. ROBERTO LOMAS P.E.
208 7th Ave, INDIALANTIC, FL 32903
434-688-0609 rllomas@rlomaspe.com

SIGNED: 10/26/2023

Luis R. Lomas P.E.
FL No.: 62514