

INSTALLATION NOTES:

- ONE (1) INSTALLATION ANCHOR IS REQUIRED AT EACH ANCHOR LOCATION SHOWN.
- THE NUMBER OF INSTALLATION ANCHORS DEPICTED IS THE MINIMUM NUMBER OF ANCHORS TO BE USED FOR PRODUCT INSTALLATION.
- INSTALL INDIVIDUAL INSTALLATION ANCHORS WITHIN A TOLERANCE OF ±1/2 INCH OF THE DEPICTED LOCATION IN THE ANCHOR LAYOUT DETAIL (I.E., WITHOUT CONSIDERATION OF TOLERANCES). TOLERANCES ARE NOT CUMULATIVE FROM ONE INSTALLATION ANCHOR TO THE NEXT.
- SHIM AS REQUIRED AT EACH INSTALLATION ANCHOR WITH LOAD BEARING SHIM(S). MAXIMUM ALLOWABLE SHIM STACK TO BE 1/4 INCH. SHIM WHERE SPACE OF 1/16 INCH OR GREATER OCCURS. SHIM(S) SHALL BE CONSTRUCTED OF HIGH DENSITY PLASTIC OR BETTER.
- FOR INSTALLATION INTO WOOD FRAMING USE #14 WOOD SCREWS OF SUFFICIENT LENGTH TO ACHIEVE 1-1/2 INCH MINIMUM EMBEDMENT INTO WOOD SUBSTRATE.
- FOR INSTALLATION THROUGH 1X BUCK TO CONCRETE/MASONRY, OR DIRECTLY INTO CONCRETE/MASONRY, USE 1/4 INCH DIAMETER ITW TAPCONS OF SUFFICIENT LENGTH TO ACHIEVE 1-1/4 INCH MINIMUM EMBEDMENT.
- MINIMUM EMBEDMENT AND EDGE DISTANCE EXCLUDE WALL FINISHES, INCLUDING BUT NOT LIMITED TO STUCCO, FOAM, BRICK VENEER, AND SIDING.
- INSTALLATION ANCHORS, ALUMINUM FRAMING, AND ASSOCIATED HARDWARE MUST BE MADE OF CORROSION RESISTANT MATERIAL OR HAVE A CORROSION RESISTANT COATING IN ACCORDANCE WITH CURRENT FBC PROTECTION STANDARDS.
- FOR GROUT FILLED BLOCK, DO NOT INSTALL INSTALLATION ANCHORS INTO MORTAR JOINTS. EDGE DISTANCE IS MEASURED FROM FREE EDGE OF BLOCK OR EDGE OF MORTAR JOINT INTO FACE SHELL OF BLOCK.
- INSTALLATION ANCHORS SHALL BE INSTALLED IN ACCORDANCE WITH ANCHOR MANUFACTURER'S INSTALLATION INSTRUCTIONS, AND ANCHORS SHALL NOT BE USED IN SUBSTRATES WITH STRENGTHS LESS THAN THE MINIMUM STRENGTH SPECIFIED BY THE ANCHOR MANUFACTURER.
- INSTALLATION ANCHOR CAPACITIES FOR PRODUCTS HEREIN ARE BASED ON SUBSTRATE MATERIALS WITH THE FOLLOWING PROPERTIES:
 - WOOD - MINIMUM SPECIFIC GRAVITY OF 0.55.
 - CONCRETE - MINIMUM COMPRESSIVE STRENGTH OF 3152 PSI.
 - MASONRY - STRENGTH CONFORMANCE TO ASTM C-90, (OR GREATER). MINIMUM COMPRESSIVE STRENGTH OF 2000 PSI.

JELD-WEN, inc.

CUSTOM COLLECTION ALUMINUM CLAD DIRECT SET WINDOW

GENERAL NOTES:

- THE PRODUCT SHOWN HEREIN IS DESIGNED AND MANUFACTURED TO COMPLY WITH THE CURRENT FLORIDA BUILDING CODE (FBC), INCLUDING HVHZ AND HAS BEEN EVALUATED ACCORDING TO THE FOLLOWING:
 - TAS 201-94
 - TAS 202-94
 - TAS 203-94
- ADEQUACY OF THE EXISTING STRUCTURAL CONCRETE/MASONRY AND 2X FRAMING AS A MAIN WIND FORCE RESISTING SYSTEM CAPABLE OF WITHSTANDING AND TRANSFERRING APPLIED PRODUCT LOADS TO THE FOUNDATION IS THE RESPONSIBILITY OF THE ENGINEER OR ARCHITECT OF RECORD FOR THE PROJECT OF INSTALLATION.
- 1X AND 2X BUCKS (WHEN USED) SHALL BE DESIGNED AND ANCHORED TO PROPERLY TRANSFER ALL LOADS TO THE STRUCTURE. BUCK DESIGN AND INSTALLATION IS THE RESPONSIBILITY OF THE ENGINEER OR ARCHITECT OF RECORD FOR THE PROJECT OF INSTALLATION.
- THE INSTALLATION DETAILS DESCRIBED HEREIN ARE GENERIC AND MAY NOT REFLECT ACTUAL CONDITIONS FOR A SPECIFIC SITE. IF SITE CONDITIONS CAUSE INSTALLATION TO DEVIATE FROM THE REQUIREMENTS DETAILED HEREIN, A LICENSED ENGINEER OR ARCHITECT SHALL PREPARE SITE SPECIFIC DOCUMENTS FOR USE WITH THIS DOCUMENT IN NON-HVHZ AREAS AND TO BE REVIEWED BY A.H.J (AUTHORITY HAVING JURISDICTION).
- DEVIATION FROM THIS APPROVAL WITHIN THE HVHZ REQUIRES ONE-TIME APPROVAL FROM MIAMI-DADE COUNTY (PERA).
- APPROVED IMPACT PROTECTIVE SYSTEM **IS NOT REQUIRED** ON THIS PRODUCT IN AREAS REQUIRING IMPACT RESISTANCE.
- WINDOW FRAME MATERIAL: WOOD AURALAST
CLADDING MATERIAL: ALUMINUM 6063-T5
- IN ACCORDANCE WITH CURRENT FBC, DISSIMILAR METALS INCLUDING FASTENERS THAT MAY COME INTO CONTACT WITH ALUMINUM UNIT FRAME SHALL BE PROTECTED AS DEFINED IN SEC 2003.
- IN ACCORDANCE WITH CURRENT FBC, SECTION 2411 WOOD COMPONENTS SHALL HAVE BEEN PRESERVATIVE TREATED OR SHALL BE OF A DURABLE SPECIES AS DEFINED IN SECTION 2326.
- GLASS MEETS THE REQUIREMENTS OF ASTM E 1300-04 GLASS CHARTS. SEE SHEET 4 FOR GLAZING DETAILS.

TABLE OF CONTENTS		
SHEET	REVISION	SHEET DESCRIPTION
1	-	INSTALLATION & GENERAL NOTES
2	-	ELEVATION & QUALIFIED SHAPES
3	-	ELEVATIONS & ANCHOR LAYOUTS
4	-	DESIGN SCHEDULE
5	-	ASSEMBLY SECTIONS
6	-	NAIL FIN INSTALLATION DETAILS
7	-	THROUGH FRAME INSTALLATION DETAILS
8	-	STRAP INSTALLATION DETAILS
9	-	GLAZING DETAILS
10	-	COMPONENTS & BILL OF MATERIALS

DESIGN PRESSURE RATING		
GLAZING TYPE	MAX. DESIGN PRESSURE	MISSILE IMPACT RATING
GLAZING TYPE - A	+/- 100 PSF	SMALL AND LARGE MISSILE IMPACT RATED
GLAZING TYPE - B	+/- 100 PSF	
GLAZING TYPE - C	+ 60/- 65 PSF	
GLAZING TYPE - D	+ 60/- 65 PSF	
GLAZING TYPE - E	+ 60/- 65 PSF	

NOTE: REFER TO SHEET 4 FOR SIZE LIMITATIONS

3737 Lakeport Blvd
Klamath Falls, OR. 97601
Phone: (541) 882-3451

JELD-WEN

DATE: 08/21/12
SCALE: NTS
TITLE:

PROJECT ENGINEER:
DRAWN BY: D. Vezo
CHECKED BY:
APPROVED BY:
PART/PROJECT No.:
IDENTIFIER No. N/A

CAD DWG. No.: JW026

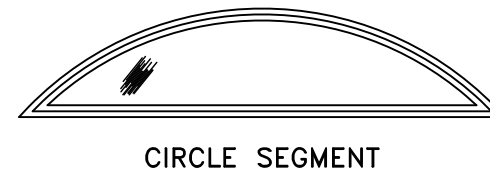
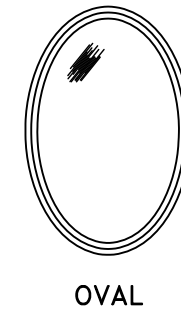
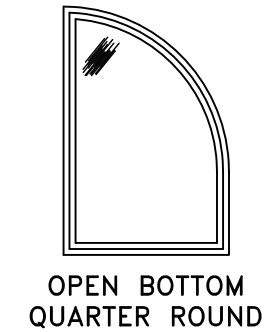
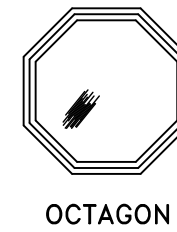
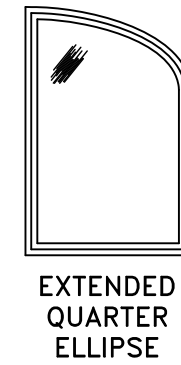
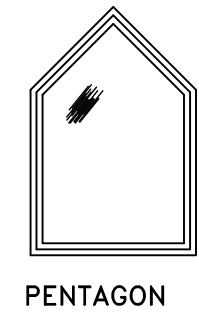
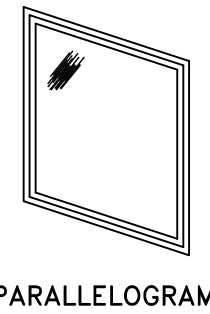
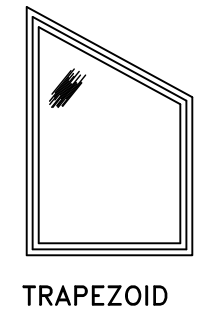
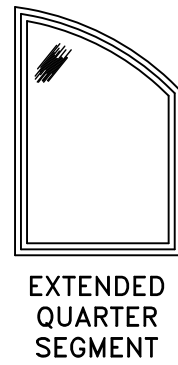
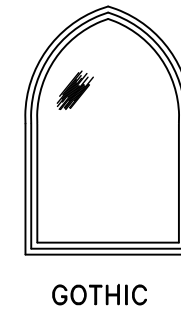
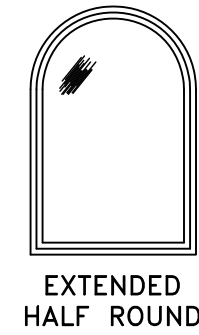
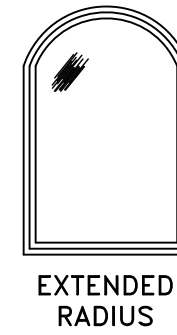
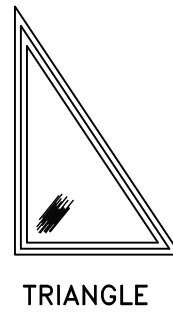
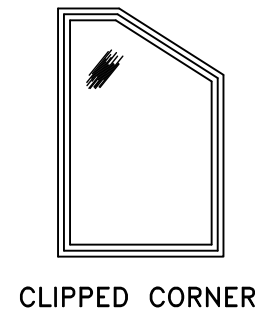
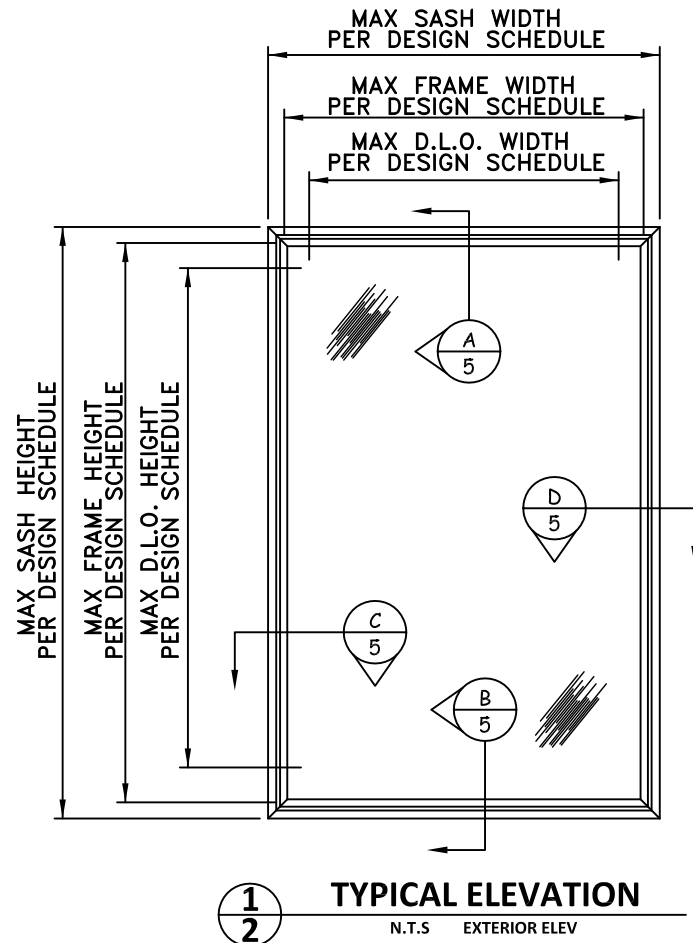
PLANT NAME AND LOCATION:
Bend, Oregon

REV: 01

SHEET 1 OF 10

Custom Clad Direct Set Window
Installation & General Notes

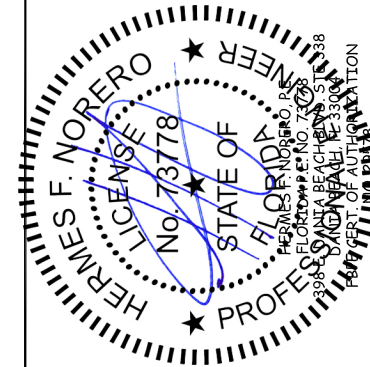
QUALIFIED SHAPED UNITS

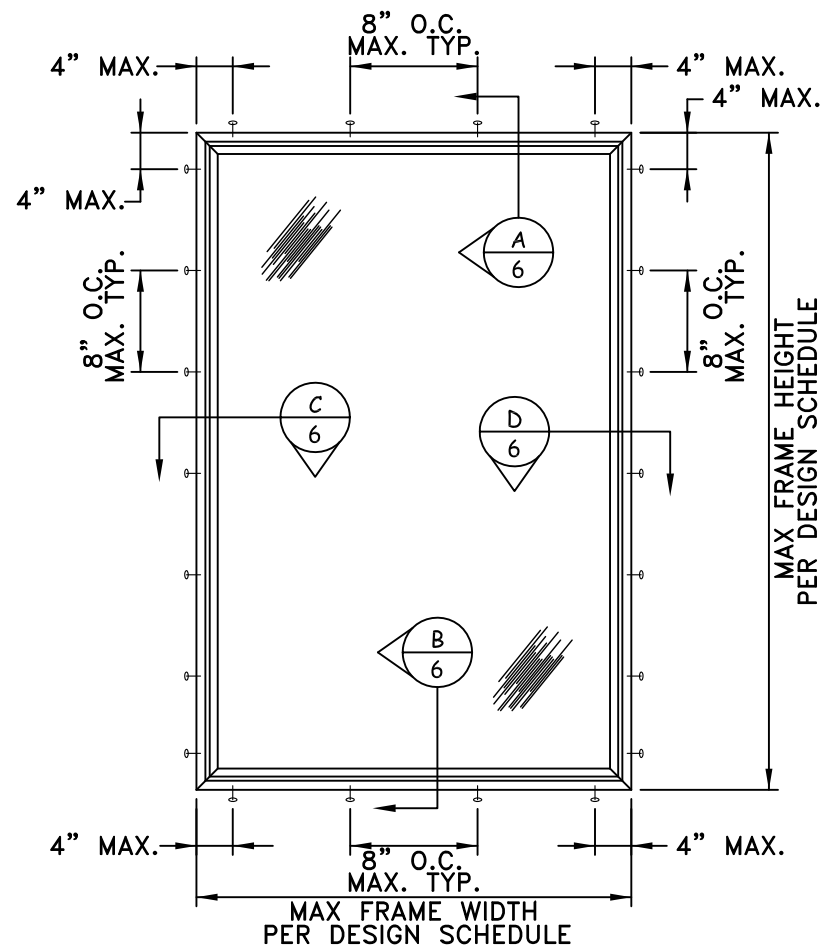


SHAPED UNITS NOTES

1. UNITS OF ANY SHAPE ARE ALLOWED PROVIDED CONSTRUCTION, GLAZING, & ANCHORAGE ARE PER DETAILS SHOWN HEREIN.
2. ALL SHAPED UNITS SHALL FIT WITHIN THE RECTANGULAR AREA SHOWN IN DESIGN SCHEDULE.

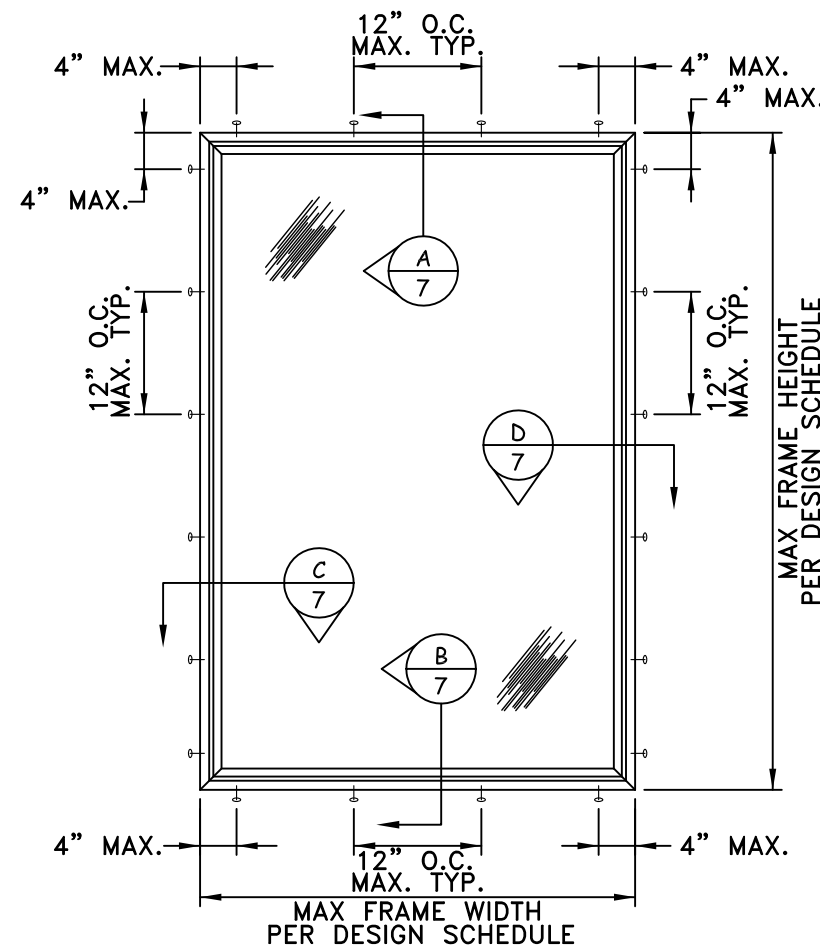
JELD-WEN		3737 Lakeport Blvd Klamath Falls, OR. 97601 Phone: (541) 882-3451	
PROJECT ENGINEER: --	DATE: 08/21/12	SCALE: NTS	TITLE: Custom Clad Direct Set Window Elevation & Qualified Shapes
DRAWN BY: D. Vezo			
CHECKED BY:			
APPROVED BY:			
PART/PROJECT No.:			
IDENTIFIER No.:			
PLANT NAME AND LOCATION: Bend, Oregon		CAD DWG. No.: JW026	REV: 01 SHEET 2 OF 10





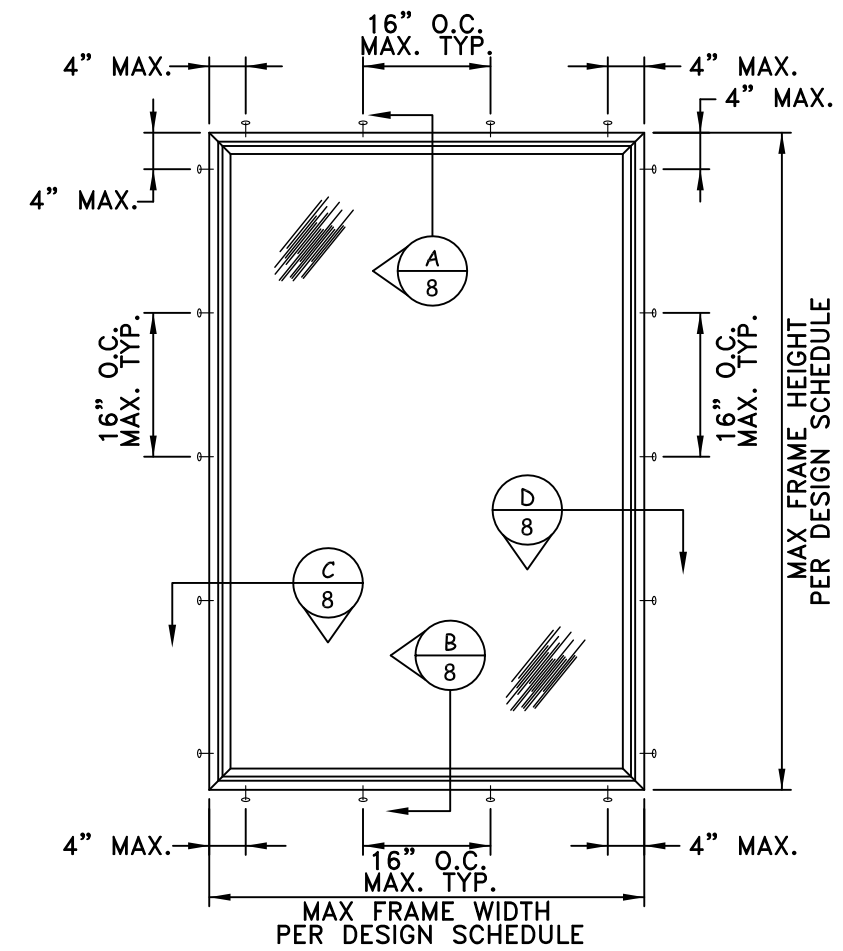
1 ANCHOR ELEVATION FOR
INSTALLATION WITH NAIL FIN

3 N.T.S. EXTERIOR ELEV



2 ANCHOR ELEVATION FOR
INSTALLATION THROUGH FRAME

3 N.T.S. EXTERIOR ELEV



3 ANCHOR ELEVATION FOR
INSTALLATION WITH STRAP

3 N.T.S. EXTERIOR ELEV

ANCHOR SCHEDULE

TO HOLLOW BLOCK OR 3192 PSI MIN
CONCRETE HOST STRUCTURE

1/4" TAPCONS (ITW) THRU 1X OR
DIRECTLY INTO
MASONRY/CONCRETE WITH 1-1/4" MIN.
EMBEDMENT.

TO WOOD BUCK OR HOST STRUCTURE
(MIN S.G. = 0.55)

#14 WOOD SCREWS WITH 1-1/2" MIN.
THREAD PENETRATION.

ANCHOR NOTES

1. SEE ANCHOR ELEVATIONS FOR ANCHOR LOCATIONS AND/OR SPACING.
2. ANCHORAGE METHODS, INCLUDING ANCHOR TYPES SHOW MAXIMUM SPACING, ARE APPLICABLE TO ALL SHAPED UNIT SHOWN ON SHEET 2.
3. ANCHORS SHALL BE INSTALLED IN ACCORDANCE WITH MANUFACTURERS' RECOMMENDATIONS.
4. TAPCONS MANUFACTURED BY ITW.
5. ENSURE MINIMUM 2-1/2" EDGE DISTANCE FOR ALL ANCHORS INTO CONCRETE AND INTO HOLLOW BLOCK.
6. WHERE ANCHORS FASTEN TO NARROW FACE OF STUD FRAMING, ANCHOR SHALL BE LOCATED IN CENTER OF NOMINAL 2X (MIN) WOOD STUD (i.e. 3/4" EDGE DISTANCE IS ACCEPTABLE FOR ANCHORS TO WOOD FRAMING).
7. WOOD HOST STRUCTURE SHALL BE "SOUTHERN PINES G=0.55 OR GREATER DENSITY.
8. MINIMUM EMBEDMENT SHALL BE AS NOTED IN ANCHOR SCHEDULE. MINIMUM EMBEDMENT AND EDGE DISTANCE EXCLUDE STUCCO, FOAM, BRICK, AND OTHER WALL FINISHES.
9. ANCHOR SCHEDULE APPLIES TO ALL PRODUCTS CERTIFIED HEREIN.
10. WHERE EXISTING STRUCTURE IS WOOD FRAMING, EXISTING CONDITIONS MAY VARY. FIELD VERIFY THAT FASTENERS ARE INTO ADEQUATE WOOD FRAMING MEMBERS, NOT INTO PLYWOOD.
11. WOOD BUCKS (BY OTHERS) SHALL BE ANCHORED PROPERLY TO TRANSFER LOADS TO THE EXISTING STRUCTURE.

3737 Lakeport Blvd
Klamath Falls, OR. 97601
Phone: (541) 882-3451

JELD-WEN

Custom Clad Direct Set Window
Elevations and Anchor Layouts

DATE: 08/21/12

SCALE: NTS

TITLE:

PROJECT ENGINEER:

DRAWN BY: D. Vezo

CHECKED BY:

APPROVED BY:

PART/PROJECT No.:

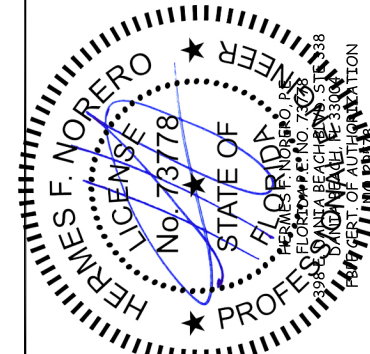
IDENTIFIER No. N/A

PLANT NAME AND LOCATION:
Bend, Oregon

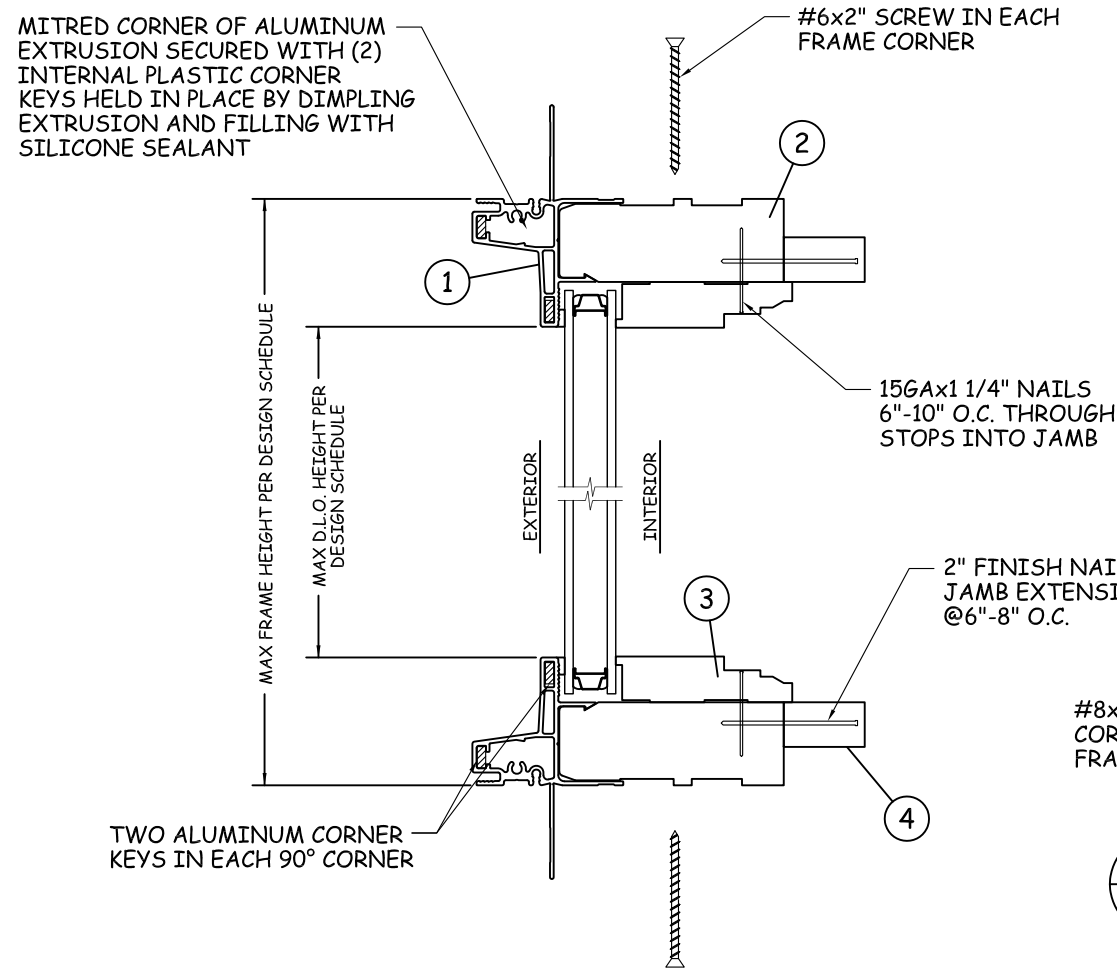
CAD DWG. No.: JW026

REV: 01

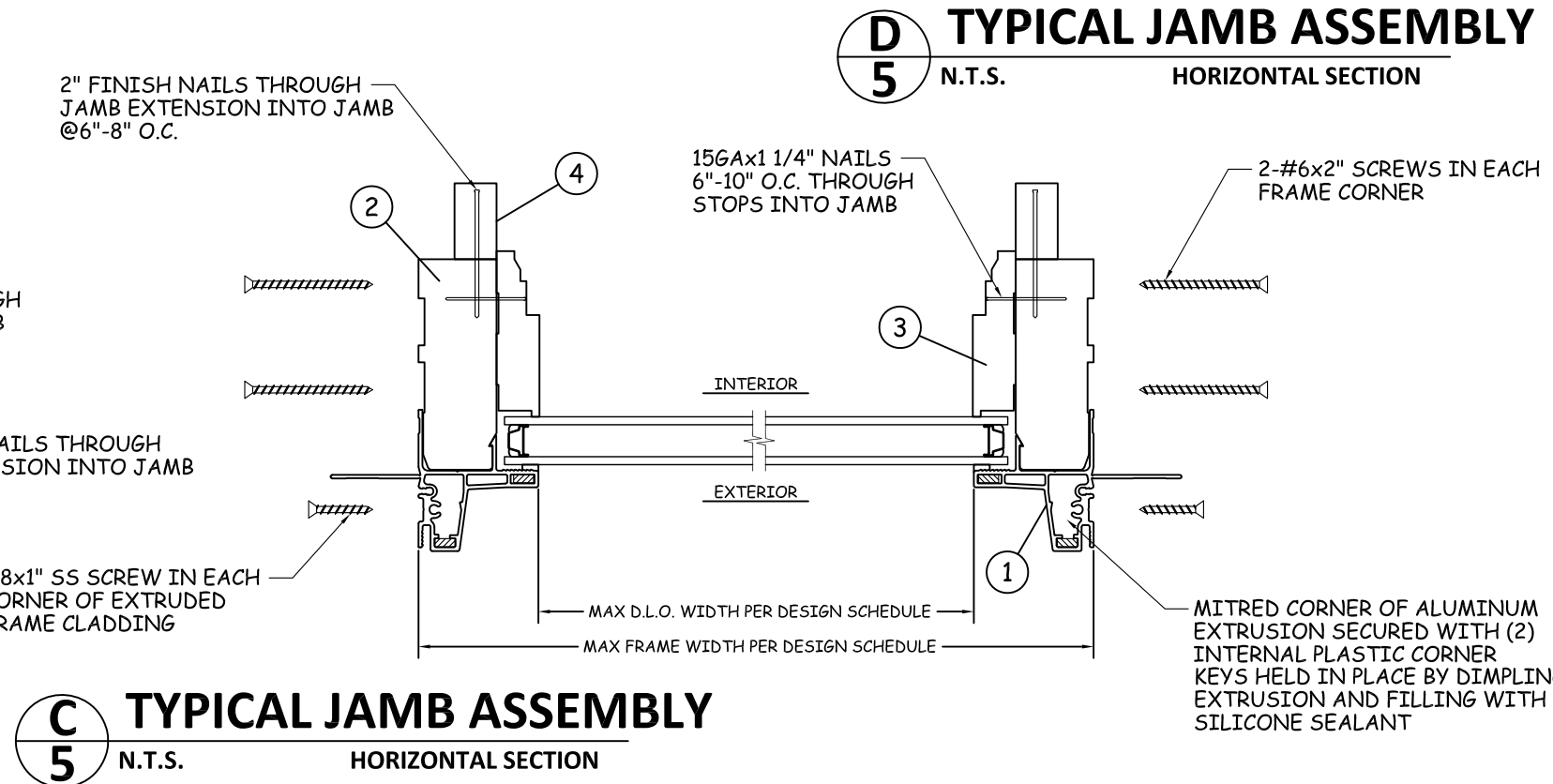
SHEET 3 OF 10



A **TYPICAL HEAD ASSEMBLY**
5 N.T.S. VERTICAL SECTION



B **TYPICAL SILL ASSEMBLY**
5 N.T.S. VERTICAL SECTION



C **TYPICAL JAMB ASSEMBLY**
5 N.T.S. HORIZONTAL SECTION

D **TYPICAL JAMB ASSEMBLY**
5 N.T.S. HORIZONTAL SECTION

JELD-WEN
 3737 Lakeport Blvd
 Klamath Falls, OR. 97601
 Phone: (541) 882-3451

Custom Clad Direct Set Window
 Assembly Sections

DATE: 08/21/12
 SCALE: NTS
 TITLE:

PROJECT ENGINEER: --
 DRAWN BY: D. Vezo
 CHECKED BY: --
 APPROVED BY: --
 PART/PROJECT No.: --
 IDENTIFIER No. N/A

PLANT NAME AND LOCATION:
 Bend, Oregon

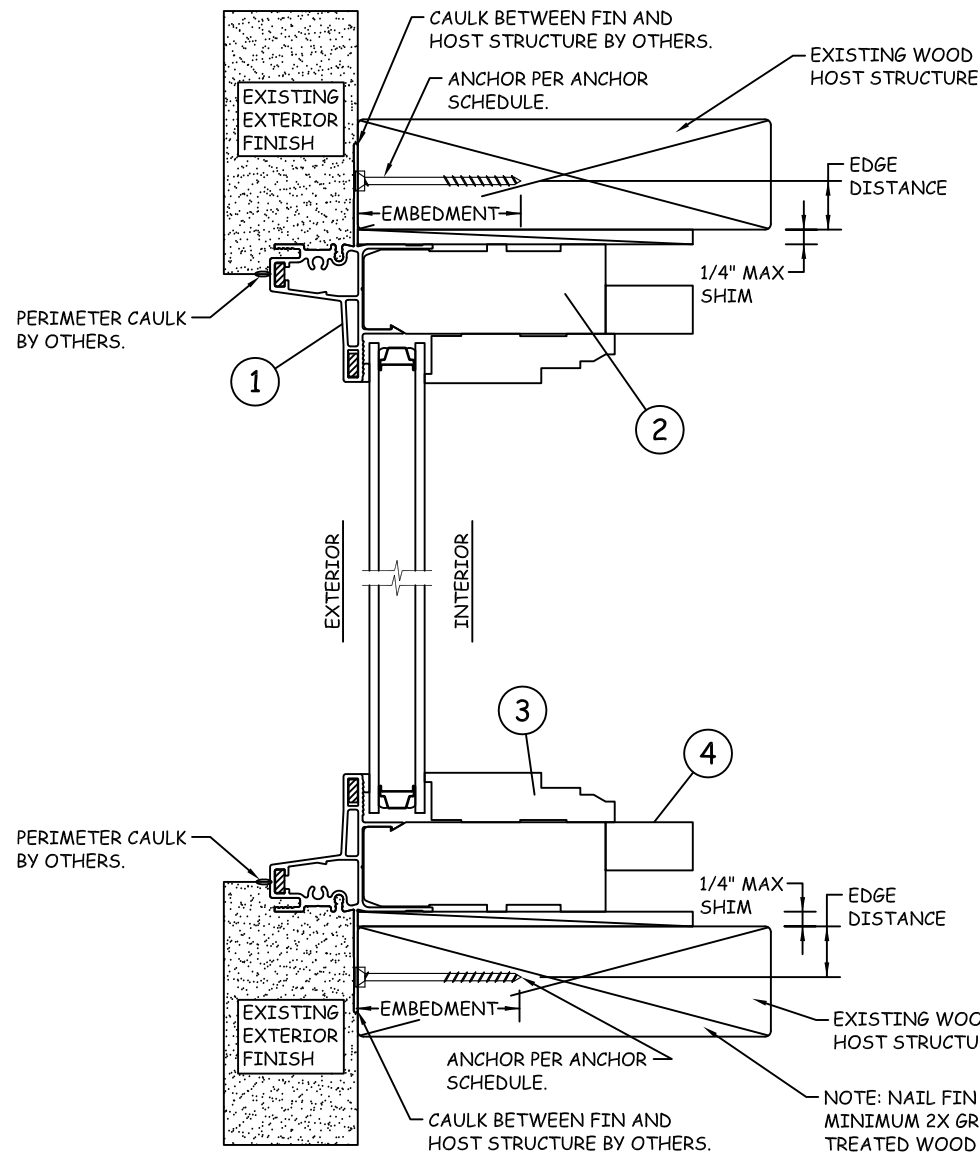
CAD DWG. No.: JW026
 REV: 01
 SHEET 5 OF 10

INSTALLATION WITH FIN AT FRAME HEAD

A
6

N.T.S.

VERTICAL SECTION

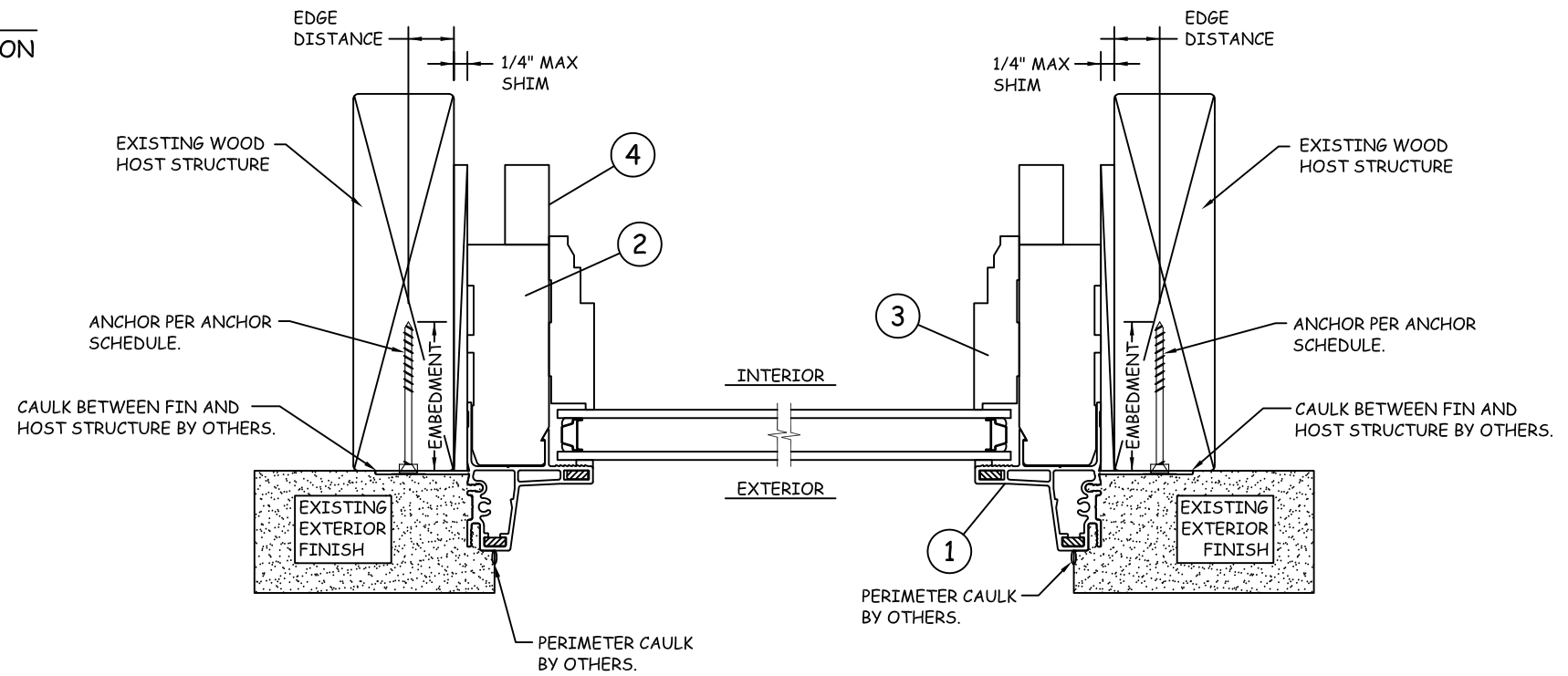


INSTALLATION WITH FIN AT FRAME JAMB

D
6

N.T.S.

HORIZONTAL SECTION

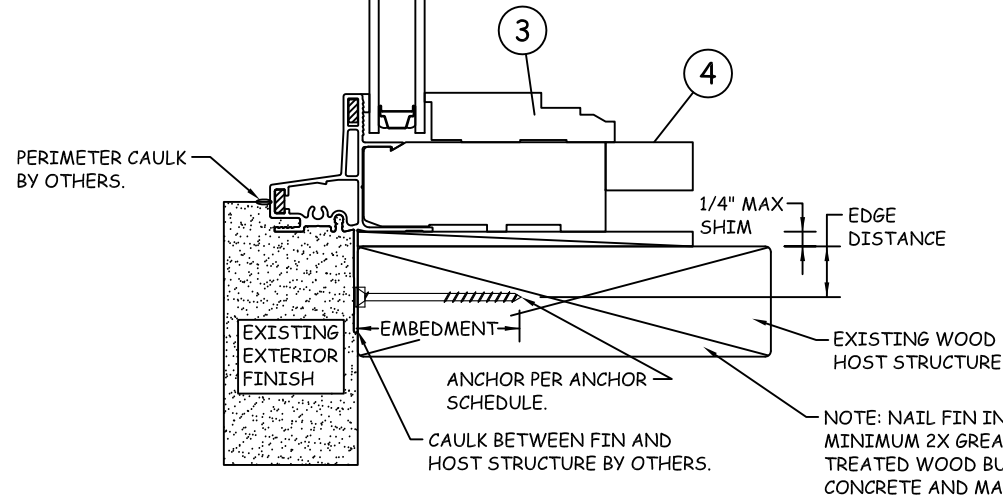


INSTALLATION WITH FIN AT FRAME JAMB

C
6

N.T.S.

HORIZONTAL SECTION



NOTE: SEE ANCHOR SCHEDULE AND ANCHOR NOTES FOR REQUIRED EDGE DISTANCES AND EMBEDMENTS.

NOTE: NAIL FIN INSTALLATION REQUIRES MINIMUM 2X GREATER PRESSURE TREATED WOOD BUCK (BY OTHERS) IN CONCRETE AND MASONRY HOST STRUCTURE.

INSTALLATION WITH FIN AT FRAME SILL

B
6

N.T.S.

VERTICAL SECTION

3737 Lakeport Blvd
Klamath Falls, OR. 97601
Phone: (541) 882-3451

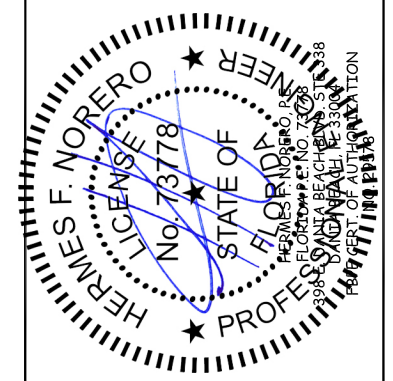
JELD-WEN

Custom Clad Direct Set Window
Nail Fin Installation Details

DATE: 08/21/12
SCALE: NTS
TITLE:

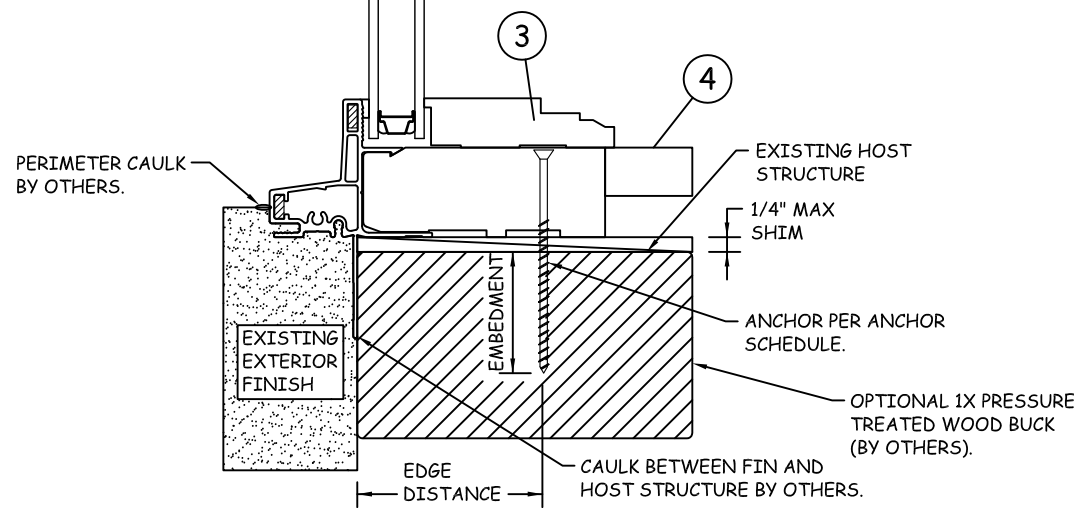
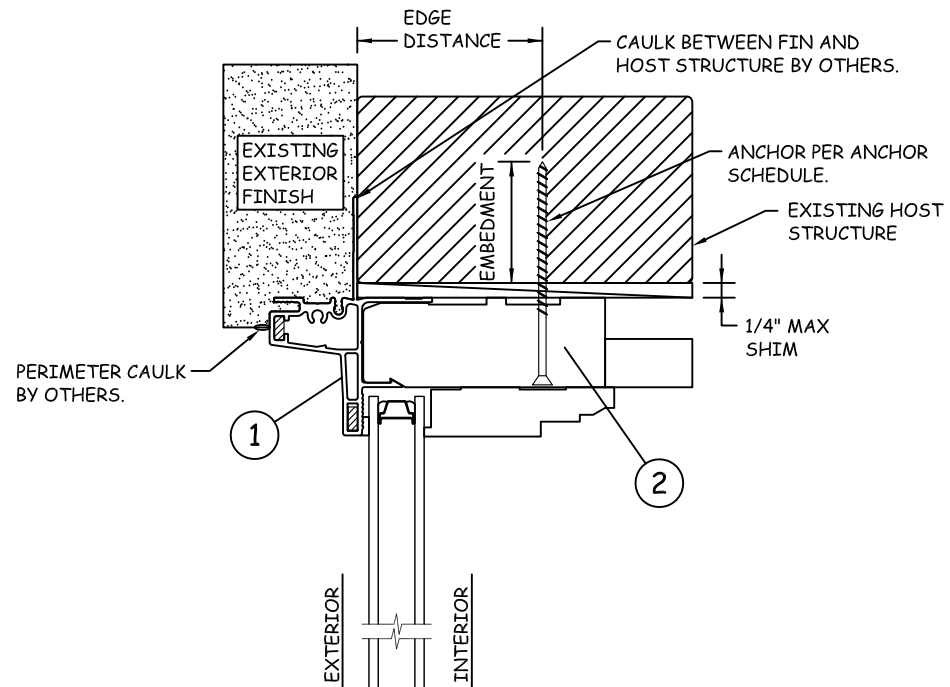
PROJECT ENGINEER: --
DRAWN BY: D. Vezo
CHECKED BY: --
APPROVED BY: --
PART/PROJECT No.: --
IDENTIFIER No. N/A

CAD DWG. No.: JW026
REV: 01
SHEET 6 OF 10
PLANT NAME AND LOCATION: Bend, Oregon



INSTALLATION THROUGH FRAME HEAD

A
7 N.T.S. VERTICAL SECTION

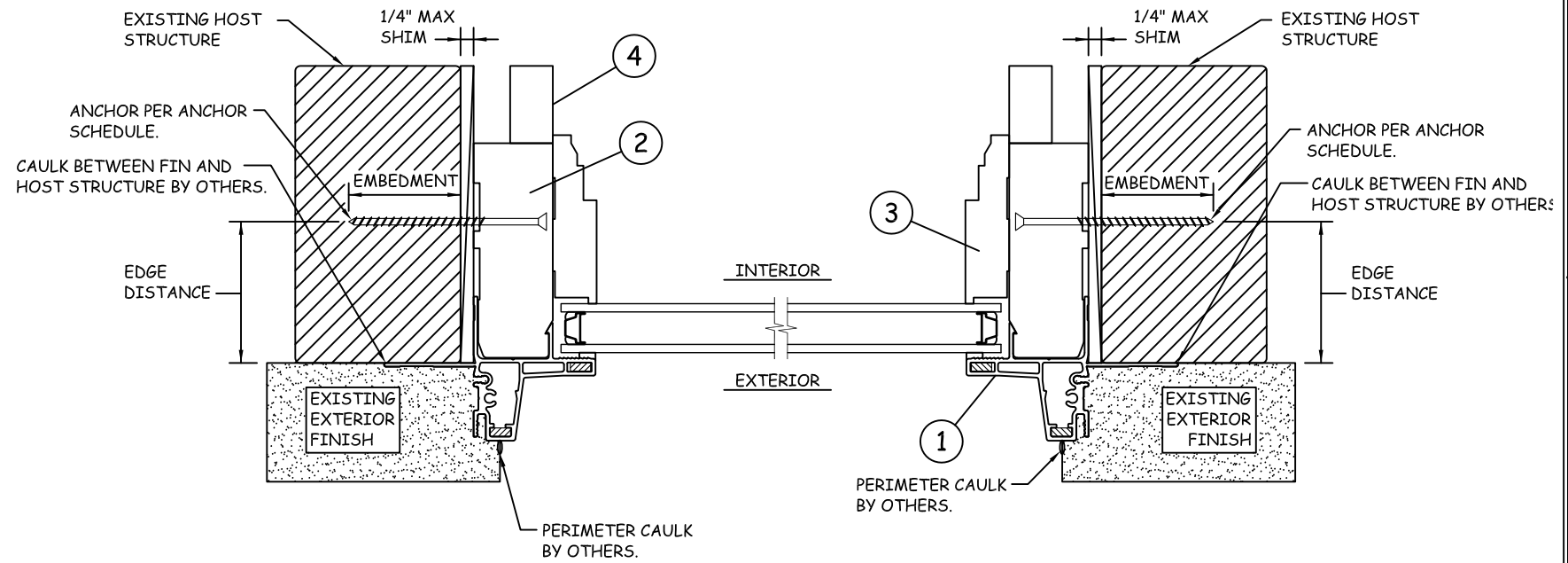


INSTALLATION THROUGH FRAME SILL

B
7 N.T.S. VERTICAL SECTION

INSTALLATION THROUGH FRAME JAMB

D
7 N.T.S. HORIZONTAL SECTION

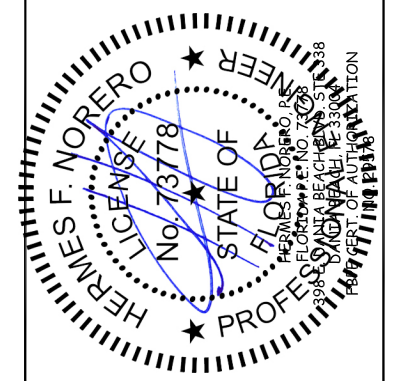


INSTALLATION THROUGH FRAME JAMB

C
7 N.T.S. HORIZONTAL SECTION

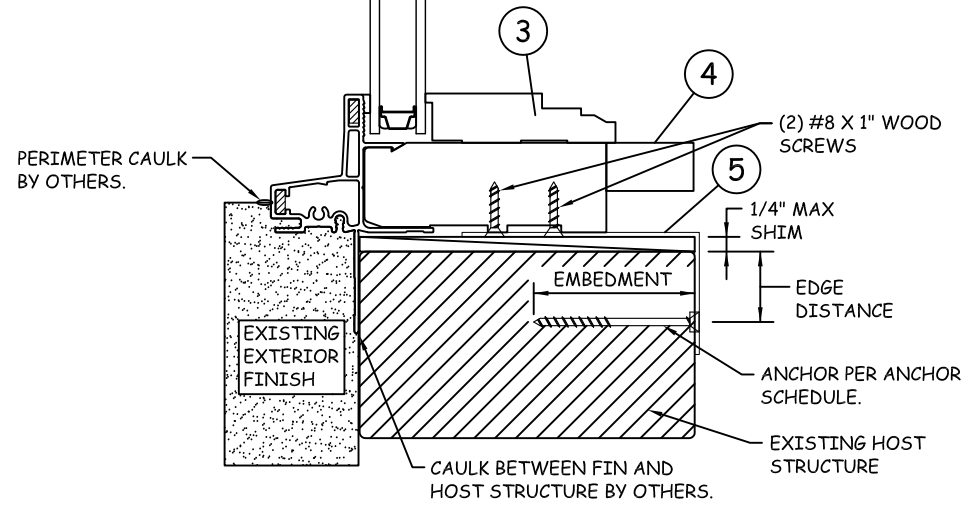
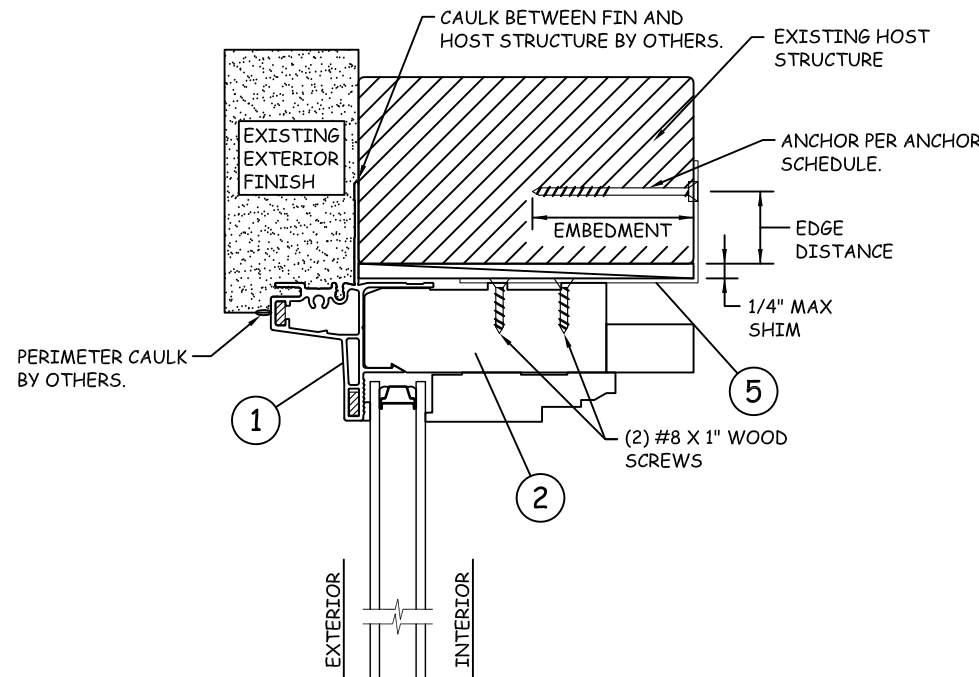
NOTE: SEE ANCHOR SCHEDULE AND ANCHOR NOTES FOR REQUIRED EDGE DISTANCES AND EMBEDMENTS.

3737 Lakeport Blvd Klamath Falls, OR. 97601 Phone: (541) 882-3451		JELD-WEN		Custom Clad Direct Set Window Through Frame Installation Details	
DATE: 08/21/12	SCALE: NTS	TITLE:	CAD DWG. No.: JW026	REV: 01	SHEET 7 OF 10
PROJECT ENGINEER:	DRAWN BY: D. Vezo	CHECKED BY:	APPROVED BY:	PLANT NAME AND LOCATION: Bend, Oregon	
			PART/PROJECT No.:	IDENTIFIER No. N/A	



INSTALLATION WITH STRAP AT FRAME HEAD

A
8 N.T.S. VERTICAL SECTION

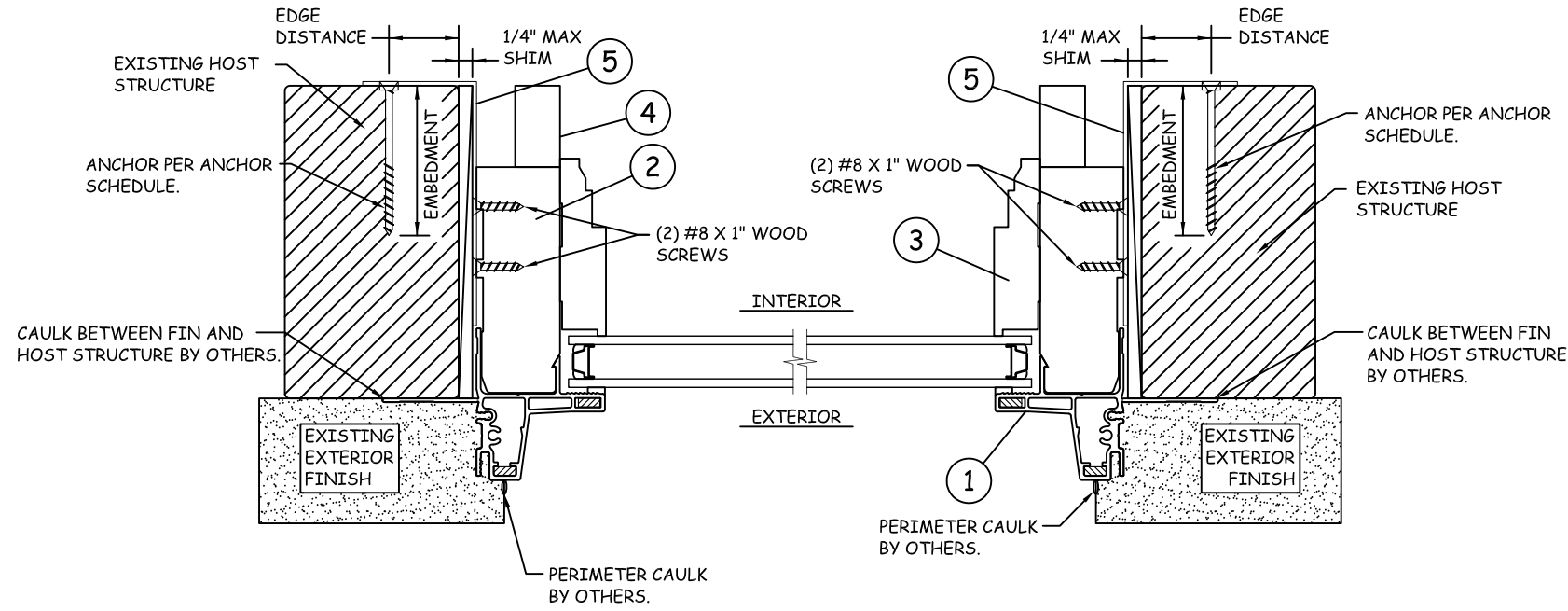


INSTALLATION WITH STRAP AT FRAME SILL

B
8 N.T.S. VERTICAL SECTION

INSTALLATION WITH STRAP AT FRAME JAMB

D
8 N.T.S. HORIZONTAL SECTION



INSTALLATION WITH STRAP AT FRAME JAMB

C
8 N.T.S. HORIZONTAL SECTION

NOTE: SEE ANCHOR SCHEDULE AND ANCHOR NOTES FOR REQUIRED EDGE DISTANCES AND EMBEDMENTS.

3737 Lakeport Blvd
Klamath Falls, OR. 97601
Phone: (541) 882-3451

JELD-WEN

Custom Clad Direct Set Window
Strap Installation Details

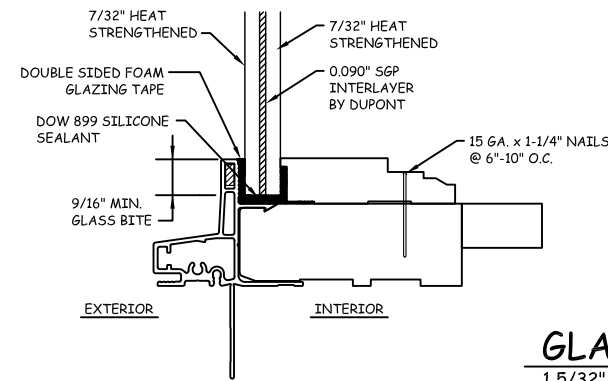
DATE: 08/21/12
SCALE: NTS
TITLE:

PROJECT ENGINEER: --
DRAWN BY: D. Vezo
CHECKED BY: --
APPROVED BY: --
PART/PROJECT No.: --
IDENTIFIER No. N/A

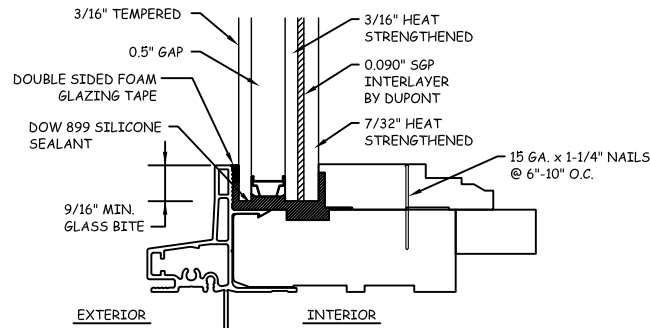
CAD DWG. No.: JW026
REV: 01
SHEET 8 OF 10

PLANT NAME AND LOCATION:
Bend, Oregon

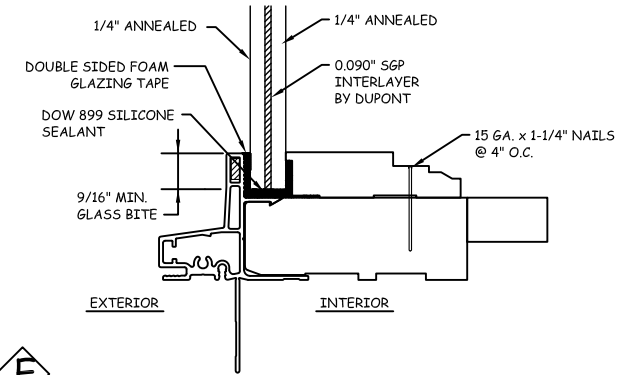
GLAZING TYPE A
9/16" LAMINATED, LMI



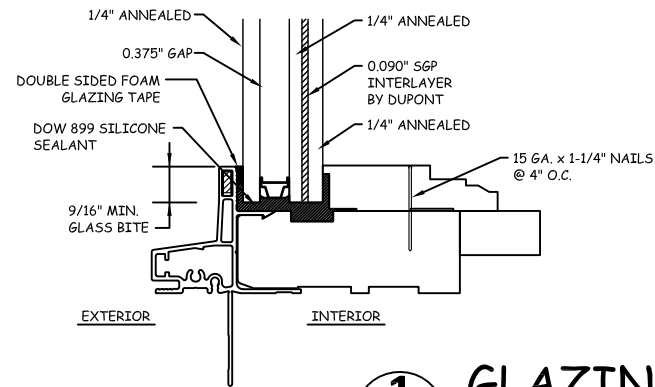
GLAZING TYPE B
1 5/32" INSULATED LAMINATED, LMI



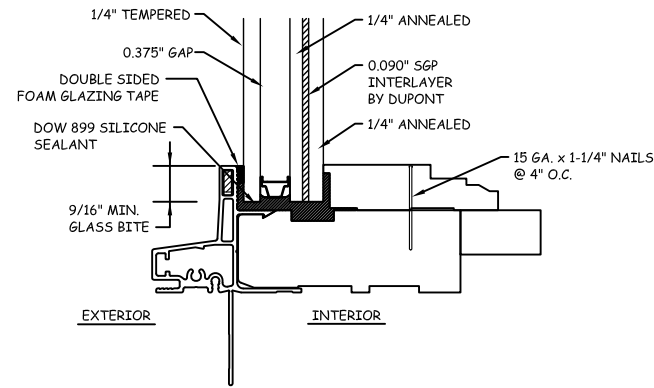
GLAZING TYPE C
9/16" LAMINATED, LMI



GLAZING TYPE D
1 5/32" INSULATED LAMINATED, LMI



GLAZING TYPE E
1 5/32" INSULATED LAMINATED, LMI



1
9 **GLAZING DETAILS**
N.T.S. VERTICAL SECTION

3737 Lakeport Blvd
Klamath Falls, OR. 97601
Phone: (541) 882-3451

JELD-WEN

Custom Clad Direct Set Window
Glazing Details

DATE: 08/21/12

SCALE: NTS

TITLE:

PROJECT ENGINEER:

DRAWN BY: D. Vezo

CHECKED BY:

APPROVED BY:

PART/PROJECT No.:

IDENTIFIER No. N/A

PLANT NAME AND LOCATION:
Bend, Oregon

CAD DWG. No.: JW026

REV: 01

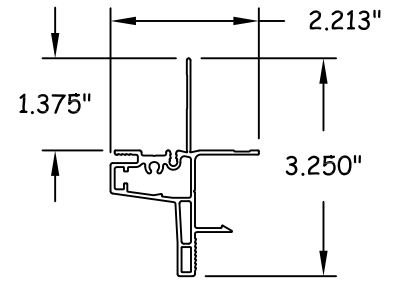
SHEET 9 OF 10



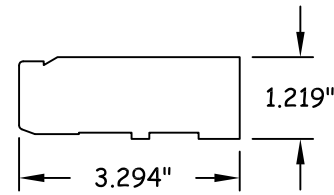
BILL OF MATERIALS

ITEM NO.	DESCRIPTION	PART NUMBER	MATERIAL	MANUFACTURER
1	FRAME CLADDING	VH-53639	ALUMINUM	INDALEX
2	JAMB	CA0176SJ	WOOD	
3	SASH STOP	CA0284SP	WOOD	
4	JAMB EXTENDER	CA260AJE	WOOD	
5	20 GA. INSTALL STRAP		GALV. STEEL	20 GA.
6	SILICONE SEALANT		SEALANT	DOW CORNING 899

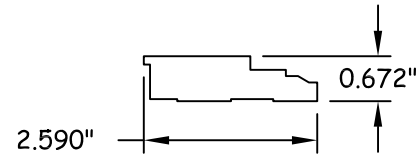
NOTE: ALL WOOD COMPONENTS ARE PRESSURE TREATED AURALAST.



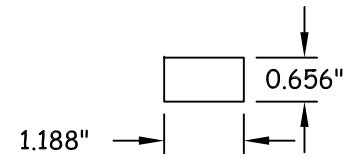
1 FRAME CLADDING
FULL SCALE ALUMINUM



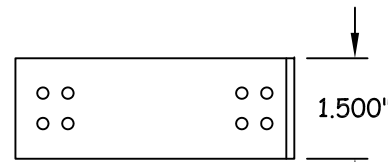
2 JAMB
FULL SCALE WOOD



3 SASH STOP
FULL SCALE WOOD



4 JAMB EXTENDER
FULL SCALE WOOD



5 21 GA. INSTALL STRAP
FULL SCALE STEEL

3737 Lakeport Blvd
Klamath Falls, OR. 97601
Phone: (541) 882-3451

JELD-WEN

Custom Clad Direct Set Window
Components and Bill of Materials

DATE: 08/21/12

SCALE: NTS

TITLE:

PROJECT ENGINEER:

DRAWN BY: D. Vezo

CHECKED BY:

APPROVED BY:

PART/PROJECT No.:

IDENTIFIER No. N/A

CAD DWG. No.: JW026

PLANT NAME AND LOCATION:
Bend, Oregon

SHEET 10 OF 10

REV: 01

