

JELD-WEN, inc.

CUSTOM CLAD IN-SASH FIXED CASEMENT WINDOW (IMPACT)

INSTALLATION NOTES:

1. ONE (1) INSTALLATION ANCHOR IS REQUIRED AT EACH ANCHOR LOCATION SHOWN.
2. THE NUMBER OF INSTALLATION ANCHORS DEPICTED IS THE MINIMUM NUMBER OF ANCHORS TO BE USED FOR PRODUCT INSTALLATION OF THE MAXIMUM SIZE LISTED.
3. INSTALL INDIVIDUAL INSTALLATION ANCHORS WITHIN A TOLERANCE OF ±1/2 INCH (I.E., WITHOUT CONSIDERATION OF TOLERANCES). TOLERANCES ARE NOT CUMULATIVE FROM ONE INSTALLATION ANCHOR TO THE NEXT.
4. SHIM AS REQUIRED AT EACH ANCHOR LOCATION WHERE SPACE BETWEEN PRODUCT AND STRUCTURE IS 1/16 INCH OR GREATER. MAXIMUM ALLOWABLE SHIM STACK IS NOT TO EXCEED 1/4". ALL SHIMS ARE TO BE LOAD BEARING, HIGH DENSITY PLASTIC OR BETTER.
5. **THROUGH FRAME:** FOR INSTALLATION INTO 2X WOOD FRAMING USE #10 WOOD SCREWS OF SUFFICIENT LENGTH TO ACHIEVE 1 1/2 INCH MINIMUM EMBEDMENT INTO WOOD SUBSTRATE.
6. **THROUGH FRAME:** FOR INSTALLATION THROUGH 1X BUCK TO CONCRETE/MASONRY, OR DIRECTLY INTO CONCRETE/MASONRY, USE 3/16 INCH DIAMETER ITW TAPCONS OF SUFFICIENT LENGTH TO ACHIEVE 1 1/4 INCH MINIMUM EMBEDMENT.
7. **STRAP INSTALLATION:** FOR INSTALLATION INTO 2X WOOD FRAMING USE TWO (2) #8 WOOD SCREWS PER STRAP OF SUFFICIENT LENGTH TO ACHIEVE 1 1/2 INCH MINIMUM EMBEDMENT INTO WOOD SUBSTRATE.
8. **NAIL FIN:** FOR INSTALLATION INTO 2X WOOD FRAMING USE #8 WOOD SCREWS OF SUFFICIENT LENGTH TO ACHIEVE 1 1/2 INCH MINIMUM EMBEDMENT INTO WOOD SUBSTRATE.
9. MINIMUM EMBEDMENT AND EDGE DISTANCE EXCLUDE WALL FINISHES, INCLUDING BUT NOT LIMITED TO STUCCO, FOAM, BRICK VENEER, AND SIDING.
10. INSTALLATION ANCHORS AND ASSOCIATED HARDWARE MUST BE MADE OF CORROSION RESISTANT MATERIAL OR HAVE A CORROSION RESISTANT COATING.
11. FOR HOLLOW BLOCK AND GROUT FILLED BLOCK, DO NOT INSTALL INSTALLATION ANCHORS INTO MORTAR JOINTS. EDGE DISTANCE IS MEASURED FROM FREE EDGE OF BLOCK OR EDGE OF MORTAR JOINT INTO FACE SHELL OF BLOCK.
12. INSTALLATION ANCHORS SHALL BE INSTALLED IN ACCORDANCE WITH ANCHOR MANUFACTURER'S INSTALLATION INSTRUCTIONS, AND ANCHORS SHALL NOT BE USED IN SUBSTRATES WITH STRENGTHS LESS THAN THE MINIMUM STRENGTH SPECIFIED BY THE ANCHOR MANUFACTURER.
13. INSTALLATION ANCHOR CAPACITIES FOR PRODUCTS HEREIN ARE BASED ON SUBSTRATE MATERIALS WITH THE FOLLOWING PROPERTIES:
 - A. WOOD - MINIMUM SPECIFIC GRAVITY OF 0.55.
 - B. CONCRETE - MINIMUM COMPRESSIVE STRENGTH OF 3000 PSI.
 - C. GROUT-FILLED CMU- UNIT STRENGTH CONFORMS TO ASTM C-90 WITH MINIMUM COMPRESSIVE STRENGTH OF 2000 PSI AND GROUT CONFORMS TO ASTM C 476, MINIMUM GROUT COMPRESSIVE STRENGTH OF 2000 PSI.
 - D. HOLLOW BLOCK CMU - UNIT STRENGTH CONFORMS TO ASTM C-90 WITH MINIMUM COMPRESSIVE STRENGTH OF 2000 PSI.

GENERAL NOTES:

1. THE PRODUCT SHOWN HEREIN IS DESIGNED AND MANUFACTURED TO COMPLY WITH THE CURRENT FLORIDA BUILDING CODE (FBC), INCLUDING HVHZ AND HAS BEEN EVALUATED ACCORDING TO THE FOLLOWING:
 - TAS 201-94
 - TAS 202-94
 - TAS 203-94
2. ADEQUACY OF THE EXISTING STRUCTURAL CONCRETE/MASONRY AND 2X FRAMING AS A MAIN WIND FORCE RESISTING SYSTEM CAPABLE OF WITHSTANDING AND TRANSFERRING APPLIED PRODUCT LOADS TO THE FOUNDATION IS THE RESPONSIBILITY OF THE ENGINEER OR ARCHITECT OF RECORD FOR THE PROJECT OF INSTALLATION.
3. 1X AND 2X BUCKS (WHEN USED) SHALL BE DESIGNED AND ANCHORED TO PROPERLY TRANSFER ALL LOADS TO THE STRUCTURE. BUCK DESIGN AND INSTALLATION IS THE RESPONSIBILITY OF THE ENGINEER OR ARCHITECT OF RECORD FOR THE PROJECT OF INSTALLATION.
4. THE INSTALLATION DETAILS DESCRIBED HEREIN ARE GENERIC AND MAY NOT REFLECT ACTUAL CONDITIONS FOR A SPECIFIC SITE. IF SITE CONDITIONS CAUSE INSTALLATION TO DEVIATE FROM THE REQUIREMENTS DETAILED HEREIN, A LICENSED ENGINEER OR ARCHITECT SHALL PREPARE SITE SPECIFIC DOCUMENTS FOR USE WITH THIS DOCUMENT IN NON-HVHZ AREAS. IN HVHZ AREAS, ONE TIME PRODUCT APPROVAL TO BE OBTAINED FROM MIAMI-DADE PERA.
5. APPROVED IMPACT PROTECTIVE SYSTEM **IS NOT REQUIRED** ON THIS PRODUCT IN AREAS REQUIRING IMPACT RESISTANCE.
6. WINDOW FRAME MATERIAL: AURALAST® WOOD
7. WINDOW CLADDING MATERIAL: ALUMINUM 6063-T5
8. IN ACCORDANCE WITH THE CURRENT FBC, DISSIMILAR METALS INCLUDING FASTENERS THAT MAY COME INTO CONTACT WITH ALUMINUM UNIT FRAMING SHALL BE PROTECTED AS DEFINED IN SEC 2003.
9. IN ACCORDANCE WITH CURRENT FBC, SECTION 2411 WOOD COMPONENTS SHALL HAVE BEEN PRESERVATIVE TREATED OR SHALL BE OF A DURABLE SPECIES AS DEFINED IN SECTION 2326.
10. GLASS MEETS THE REQUIREMENTS OF ASTM E 1300-04 GLASS CHARTS. SEE SHEET 4 FOR GLAZING DETAILS.

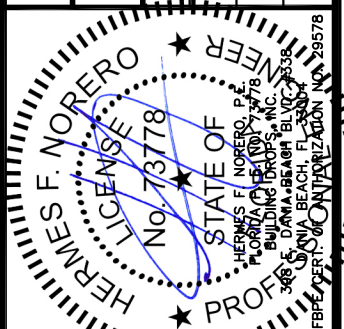
TABLE OF CONTENTS		
SHEET	REVISION	SHEET DESCRIPTION
1	B	INSTALLATION & GENERAL NOTES
2	B	ELEVATION & ANCHOR LAYOUTS
3	B	VERTICAL & HORIZONTAL SECTIONS
4	B	GLAZING DETAILS
5	B	COMPONENTS & BILL OF MATERIALS

OVERALL SIZE		GLAZING TYPE	DESIGN PRESSURE	MISSILE IMPACT RATING
WIDTH	HEIGHT			
60"	72"	G1 OR G5	+60/- 70 PSF	SMALL & LARGE MISSILE IMPACT
96"	72"	G2, G3 OR G4	+60/- 65 PSF	

TITLE: CUSTOM CLAD IN-SASH FIXED CASEMENT WINDOW
INSTALLATION & GENERAL NOTES
PREPARED BY: BUILDING DROPS, INC.
398 E. DANIA BEACH BLVD. #338
DANIA BEACH, FL 33004
PH: (954) 399-8478 FX: (954) 744-4738

REVISIONS

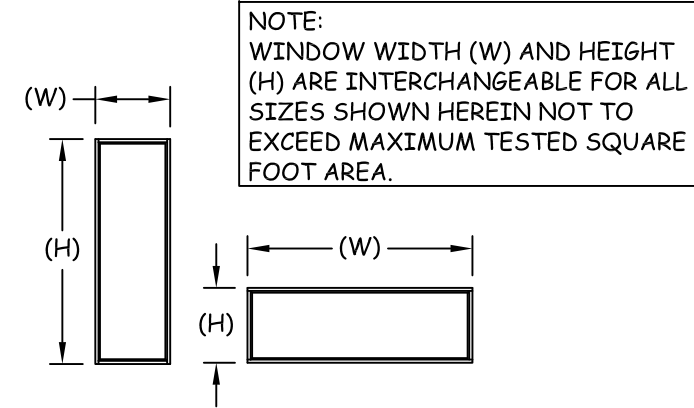
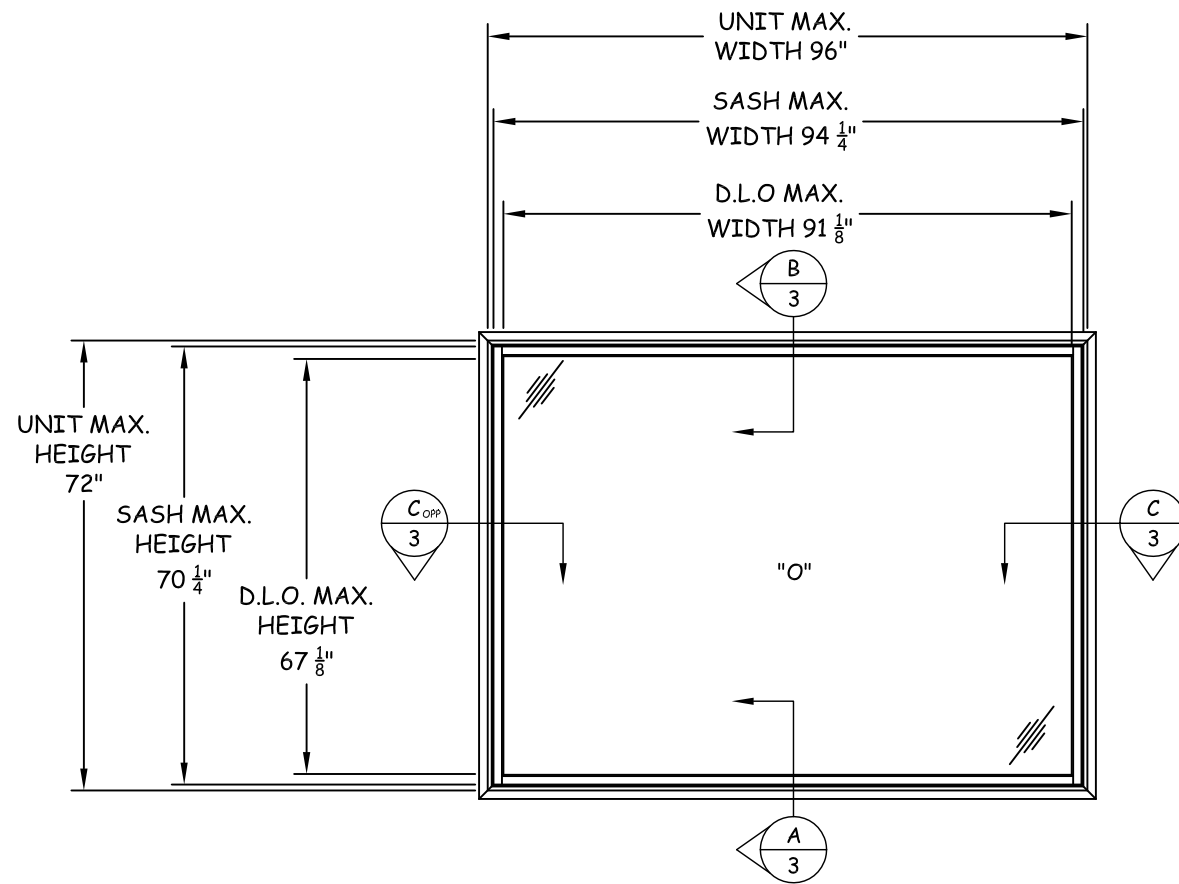
NO.	DESCRIPTION	BY	DATE
A	REV. PER LATEST TESTING	MS	8.21.12
B	UPDATED GLAZING TYPES	JLA	11.26.12



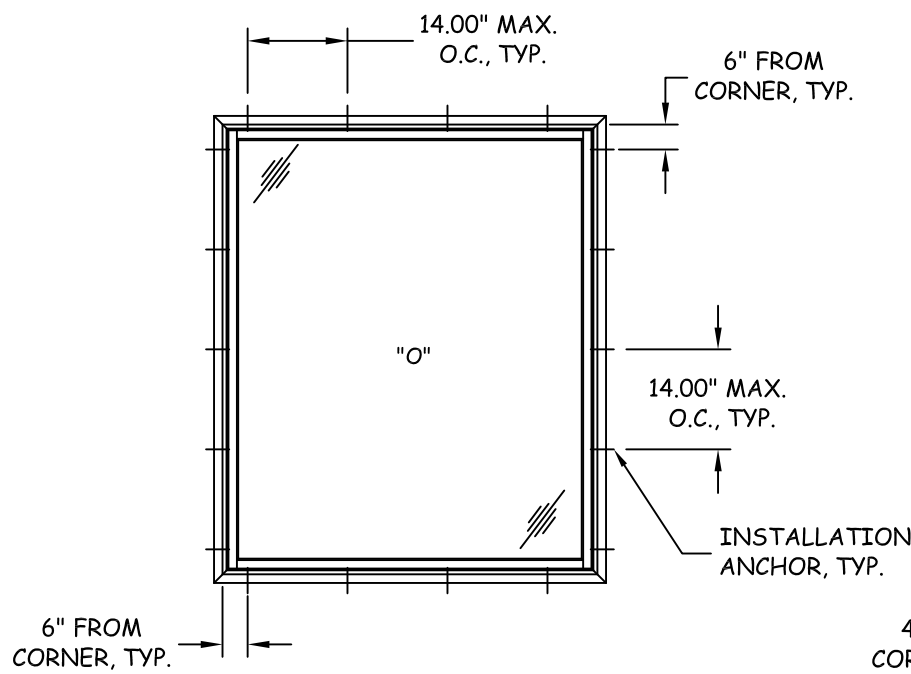
DATE: 08.21.12
DWN BY: JLA
CHK BY: HFN
SCALE: NTS

DWG #: **JW014**

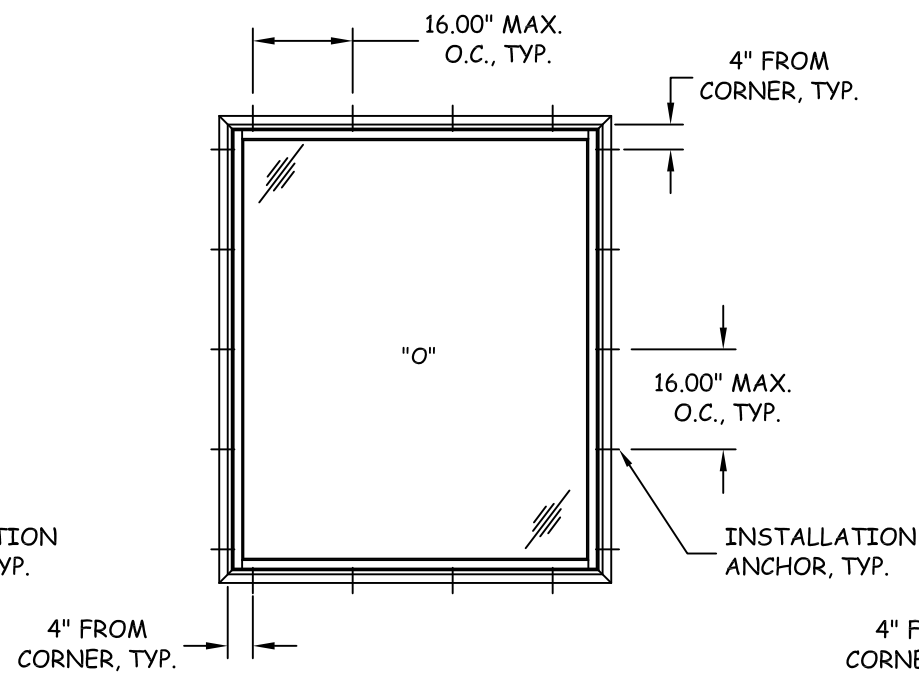
SHEET: **1 OF 5**



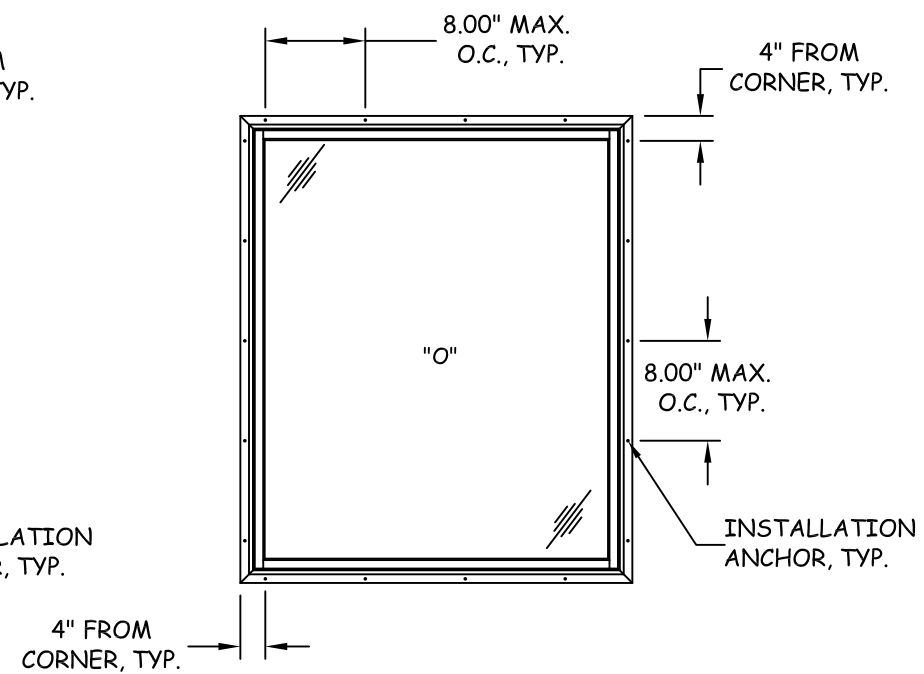
TYPICAL ELEVATION



ANCHOR LAYOUT
STRAP INSTALLATION



ANCHOR LAYOUT
THROUGH FRAME INSTALLATION

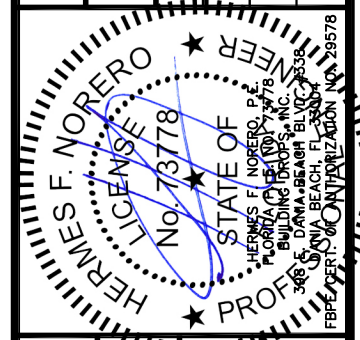


ANCHOR LAYOUT
NAIL FIN INSTALLATION

TITLE: CUSTOM CLAD IN-SASH
FIXED CASEMENT WINDOW
ELEVATION & ANCHOR LAYOUTS

PREPARED BY:
BUILDING DROPS, INC.
398 E. DANIA BEACH BLVD. #338
DANIA BEACH, FL 33004
PH: (954) 399-8478 FX: (954) 744-4738

REVISIONS	
NO.	DESCRIPTION
A	REV. PER LATEST TESTING
B	UPDATED GLAZING TYPES

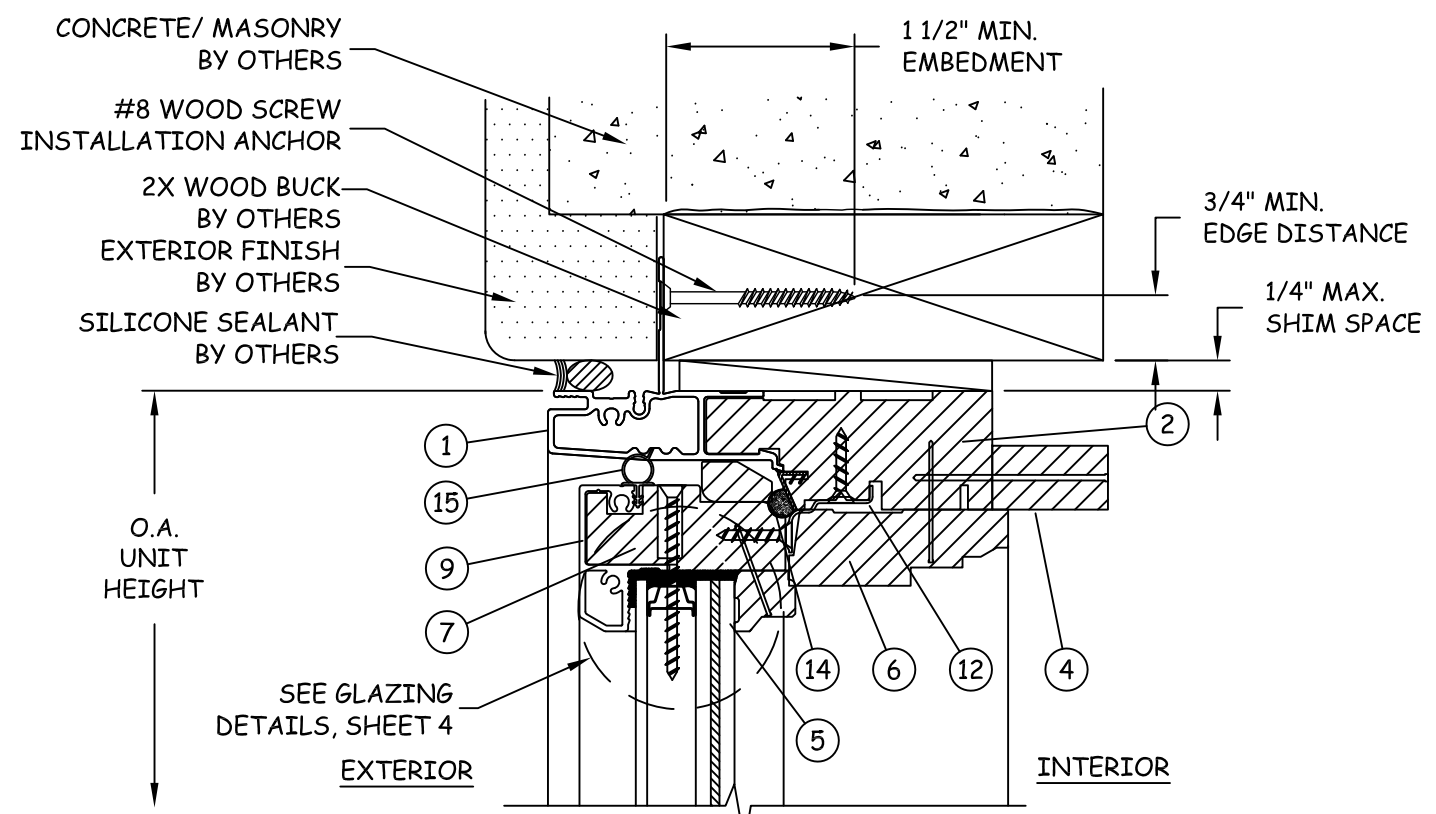


DATE: 08.21.12
DWN BY: JLA
CHK BY: HFN
SCALE: NTS

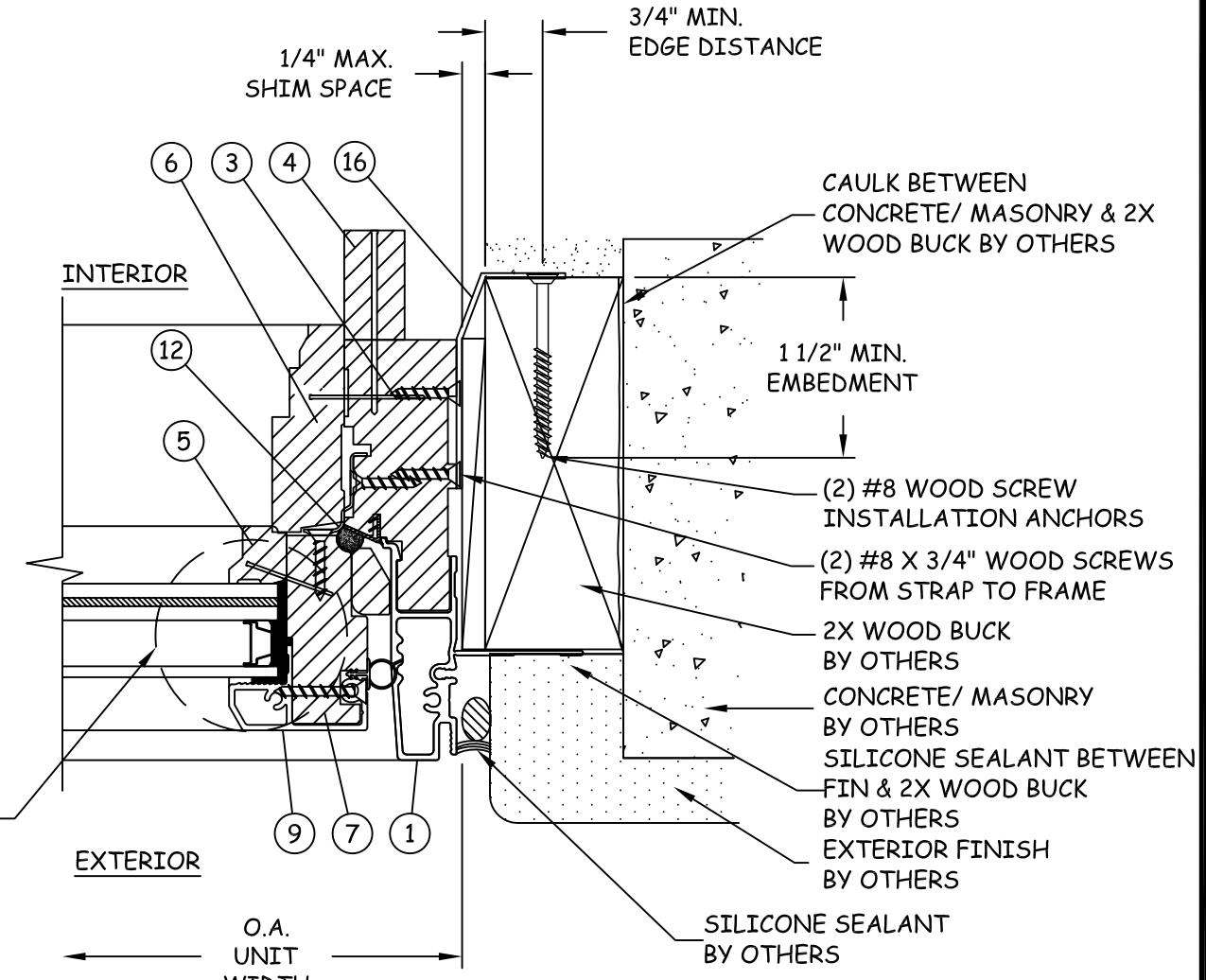
DWG #: **JW014**
SHEET: **2 OF 5**

TITLE: CUSTOM CLAD IN-SASH
FIXED CASEMENT WINDOW
VERTICAL & HORIZONTAL
SECTIONS

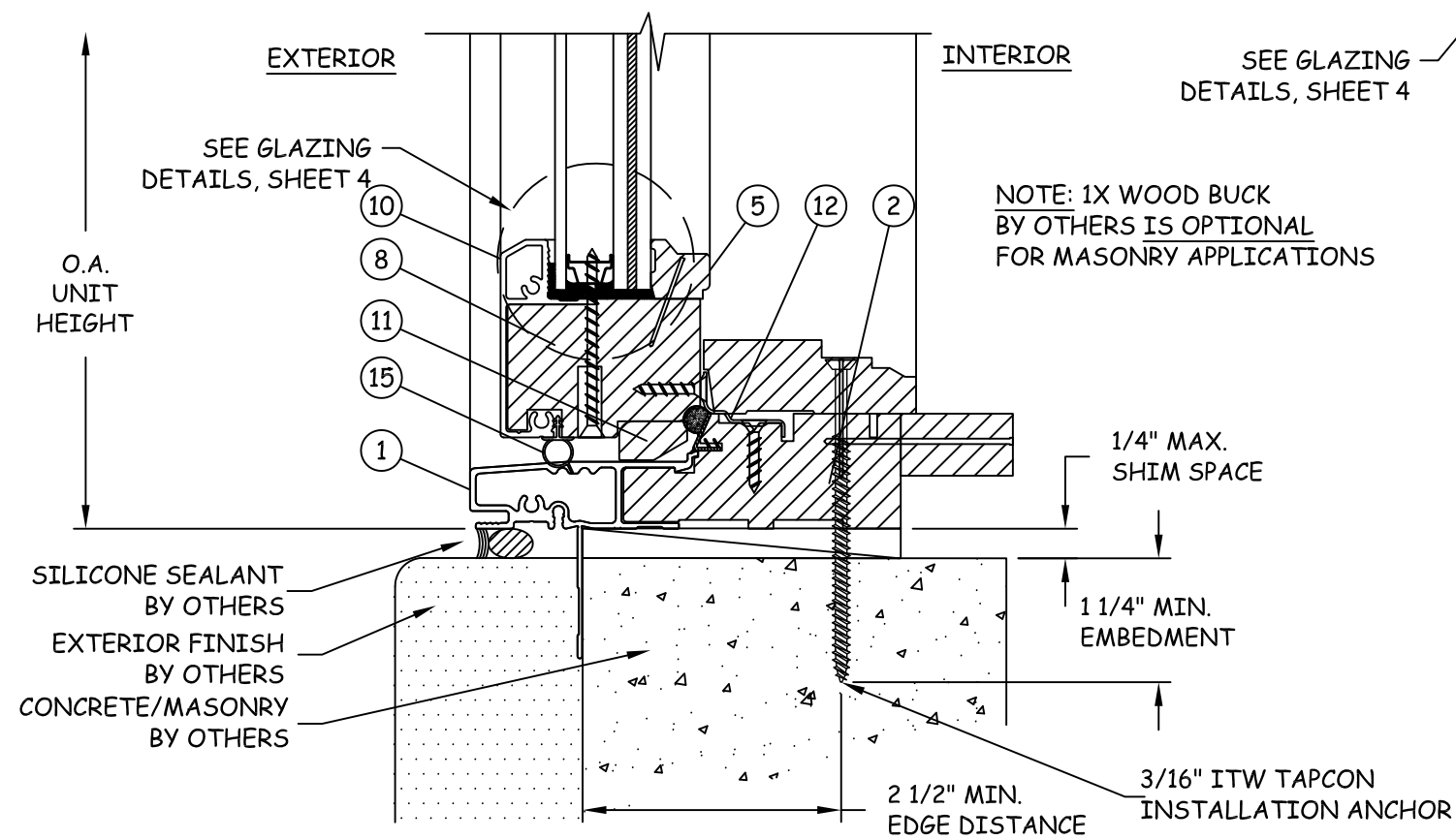
PREPARED BY:
BUILDING DROPS, INC.
398 E. DANIA BEACH BLVD. #338
DANIA BEACH, FL 33004
PH: (954) 399-8478 FX: (954) 744-4738



B
3
VERTICAL SECTION
HEAD - 2X WOOD BUCK
NAIL FIN INSTALLATION, TYP.



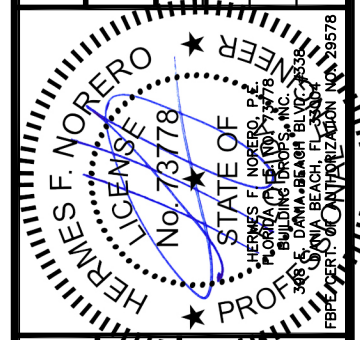
C
3
HORIZONTAL SECTION
JAMB-2X WOOD BUCK
STRAP INSTALLATION, TYP.



A
3
VERTICAL SECTION
SILL - CONCRETE/MASONRY
THROUGH FRAME INSTALLATION, TYP.

REVISIONS

NO.	DESCRIPTION	BY	DATE
A	REV. PER LATEST TESTING	MS	8.21.12
B	UPDATED GLAZING TYPES	JLA	11.26.12



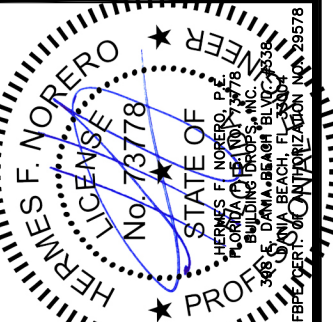
DATE: 08.21.12
DWN BY: JLA
CHK BY: HFN
SCALE: NTS

DWG #: **JW014**
SHEET: **3 OF 5**

TITLE: CUSTOM CLAD IN-SASH
FIXED CASEMENT WINDOW
GLAZING DETAILS

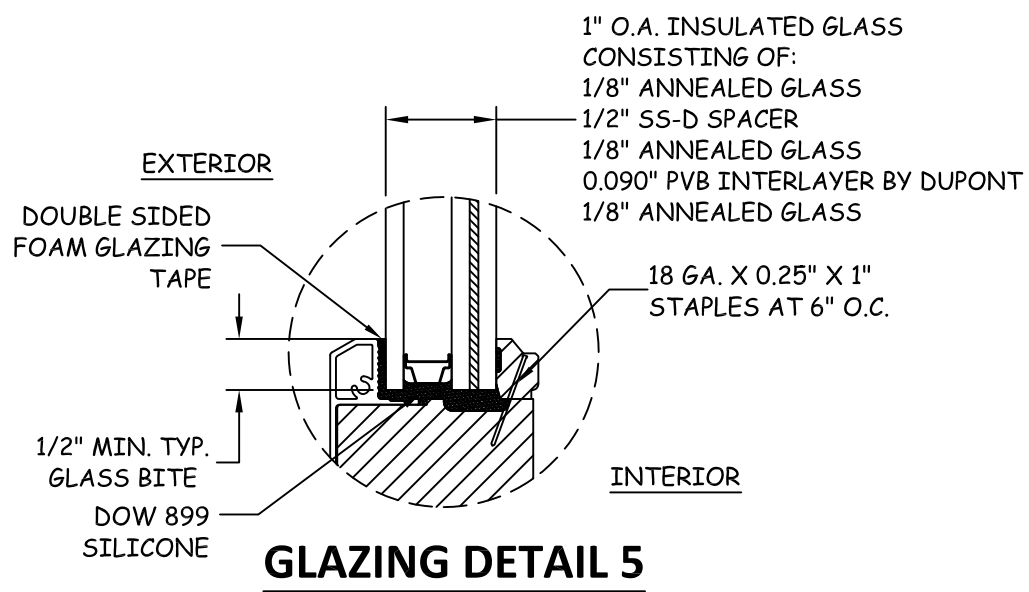
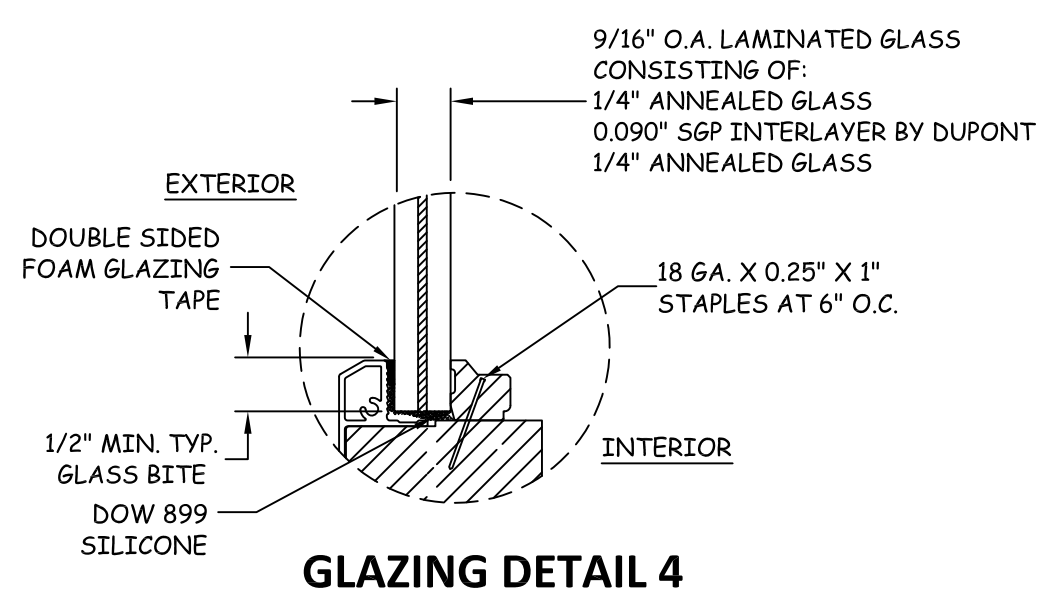
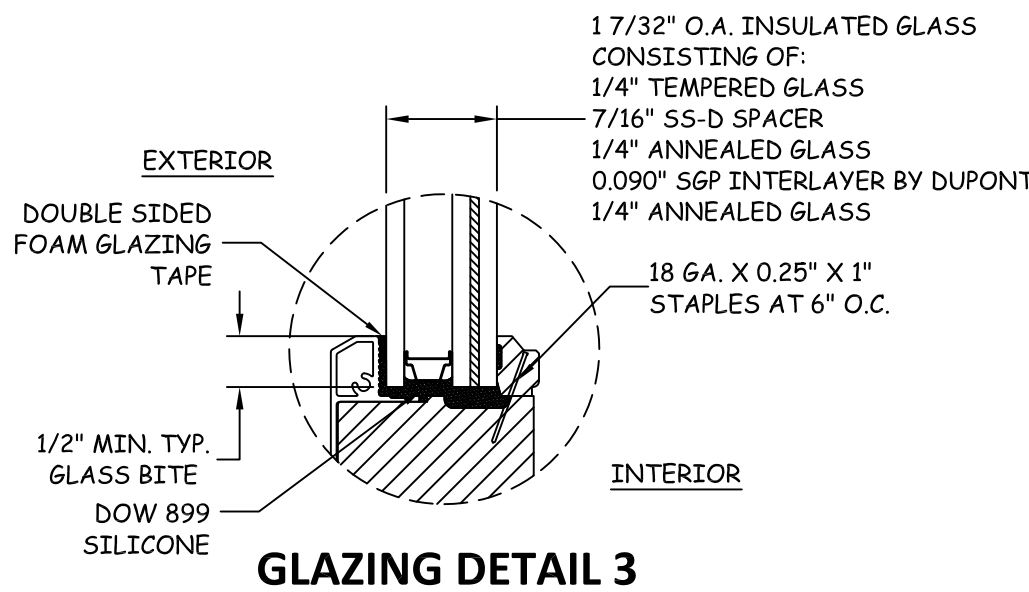
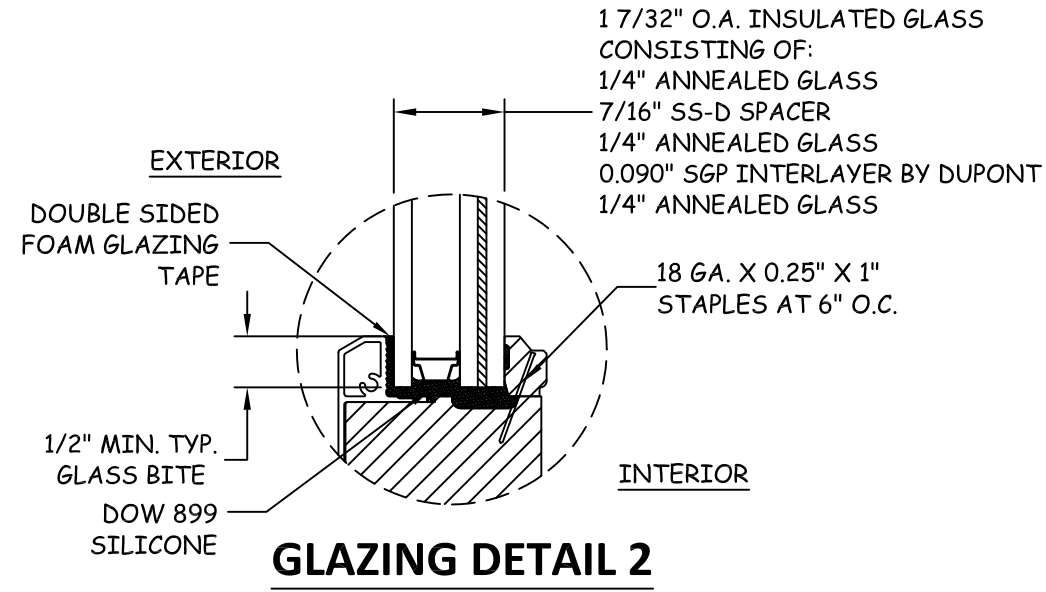
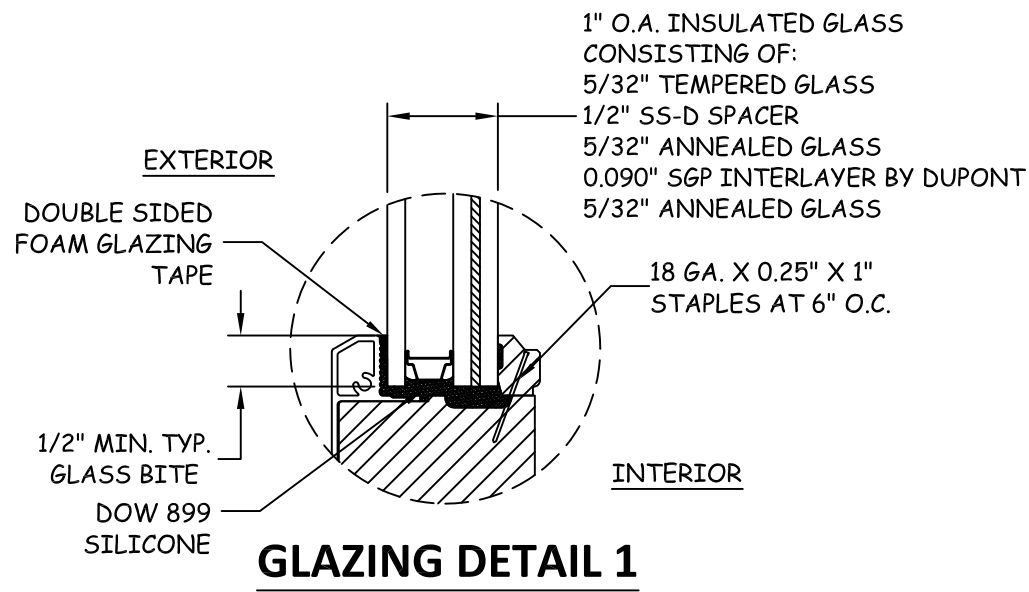
PREPARED BY:
BUILDING DROPS, INC.
398 E. DANIA BEACH BLVD. #338
DANIA BEACH, FL 33004
PH: (954) 399-8478 FX: (954) 744-4738

REVISIONS		NO.	DESCRIPTION	BY	DATE
A	REV. PER LATEST TESTING	MS	8.21.12		
B	UPDATED GLAZING TYPES	JLA	11.26.12		



DATE: 08.21.12
DWN BY: JLA
CHK BY: HFN
SCALE: NTS

DWG #: **JW014**
SHEET: **4 OF 5**



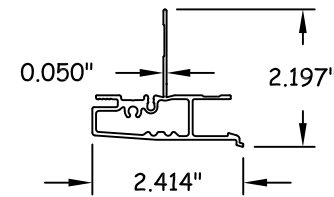
FOR INSTALLATION ABOVE 30 FT. ABOVE GRADE IN
AREAS REQUIRING IMPACT RESISTANCE, ALL UNITS
MUST BE SAFETY GLAZED OR COVERED BY AN IMPACT
PROTECTIVE SYSTEM PER FBC SECTION 2411.3.3.7.

BILL OF MATERIALS

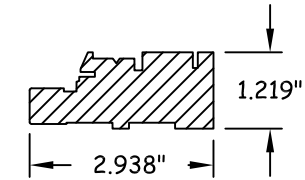
ITEM NO.	DESCRIPTION	PART NUMBER	MATERIAL	MANUFACTURER
1	FRAME CLADDING	VH-53639	ALUMINUM	JELD-WEN
2	HEAD/SILL	CA0153HJ	WOOD	JELD-WEN
3	SIDE JAMB	CA0177SJ	WOOD	JELD-WEN
4	JAMB EXTENDER	CA260AJE	WOOD	JELD-WEN
5	GLAZING STOP	CA0278SP	WOOD	JELD-WEN
6	SASH STOP	CA0311SP	WOOD	JELD-WEN
7	RAIL/STILE	CA0152RA	WOOD	JELD-WEN
8	BOTTOM RAIL	---	WOOD	JELD-WEN
9	TOP RAIL/STILE CLADDING	VH-49545	ALUMINUM	JELD-WEN
10	BOTTOM RAIL CLADDING	---	ALUMINUM	JELD-WEN
11	SASH SETTING BLOCK	CA0106MS	WOOD	JELD-WEN
12	SASH BRACKET	AC-258	STEEL	JELD-WEN
13	NOT USED	---	---	---
14	FRAME WEATHERSTRIP	12261	POLYETHYLENE	JELD-WEN
15	SASH WEATHERSTRIP	50468A	POLYETHYLENE	JELD-WEN
16	20 GA. INSTALL STRAP (10" X 1.5")	---	GALV. STEEL	JELD-WEN

NOTE: ALL WOOD COMPONENTS ARE PRESSURE TREATED AURALAST.

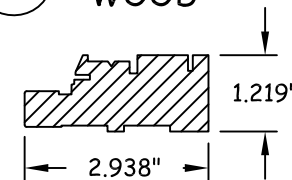
① FRAME CLADDING
ALUMINUM 6063-T5



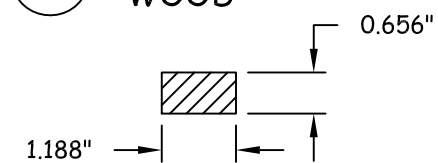
② HEAD & SILL
WOOD



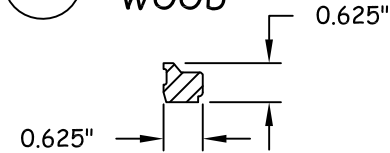
③ SIDE JAMB
WOOD



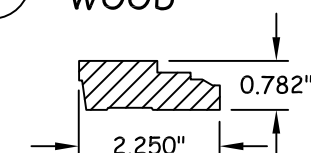
④ JAMB EXTENDER
WOOD



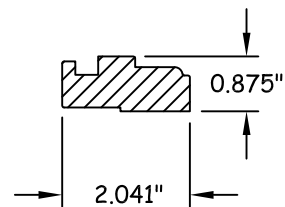
⑤ GLAZING STOP
WOOD



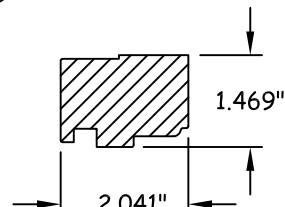
⑥ SASH STOP
WOOD



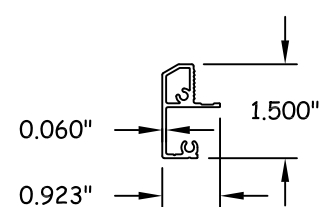
⑦ TOP RAIL/STILE
WOOD



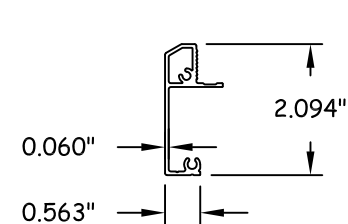
⑧ BOTTOM RAIL
WOOD



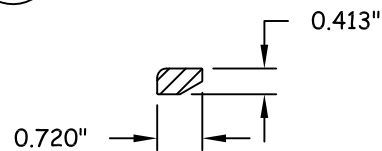
⑨ TOP RAIL/STILE CLADDING
ALUMINUM 6063-T5



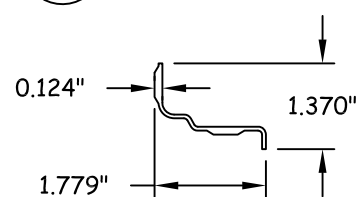
⑩ BOTTOM RAIL CLADDING
ALUMINUM 6063-T5



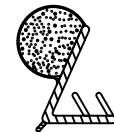
⑪ SASH SETTING BLOCK
WOOD



⑫ SASH BRACKET
STEEL



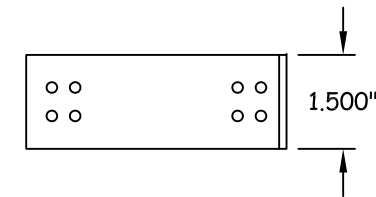
⑬ FRAME WEATHERSTRIP
POLYETHYLENE



⑭ SASH WEATHERSTRIP
POLYETHYLENE



⑮ 20 GA. INSTALL STRAP
GALV. STEEL

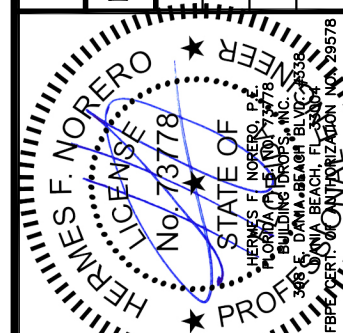


TITLE: CUSTOM CLAD-IN-SASH
FIXED CASEMENT WINDOW
COMPONENTS
& BILL OF MATERIALS

PREPARED BY:
BUILDING DROPS, INC.
398 E. DANIA BEACH BLVD. #338
DANIA BEACH, FL 33004
PH: (954) 399-8478 FX: (954) 744-4738

REVISIONS

NO.	DESCRIPTION	BY	DATE
A	REV. PER LATEST TESTING	MS	8.21.12
B	UPDATED GLAZING TYPES	JLA	11.26.12



DATE: 08.21.12
DWN BY: JLA
CHK BY: HFN
SCALE: NTS

DWG #: **JW014**
SHEET: **5 OF 5**