



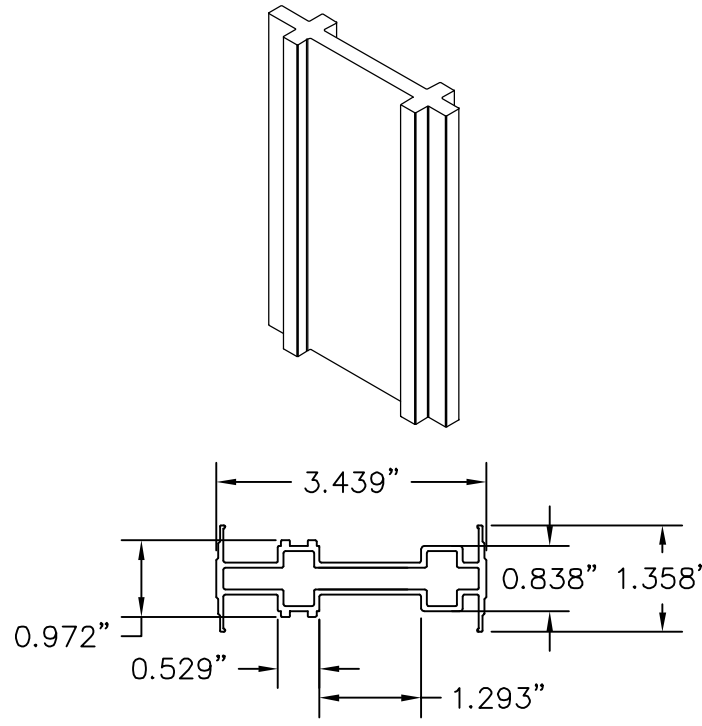
1 COCHRANE AVE. PENNSBORO, WV 26415 PH.
800-426-2249

**STORMBREAKER PLUS 300VL SERIES
EXTRUDED IMPACT RESISTANT VINYL
MULLIONS WITH MEDIUM ALUMINUM
REINFORCEMENT – HVHZ**

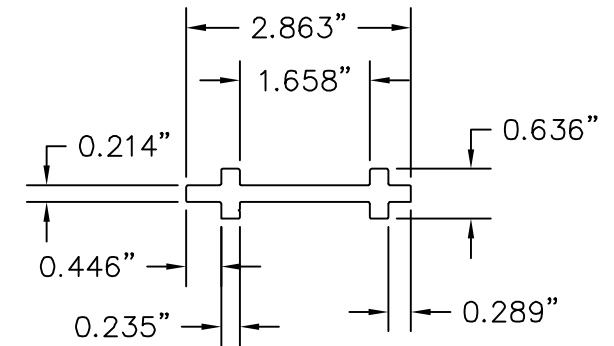
REV. #:	REVISIONS:	REVISED BY:	DATE:
2	REVISED PER 2010 FBC	C.P.	01-24-12
3	REVISED PER 5TH ED. (2014) FBC	L.T.	04-25-15
4	UPDATED NOTE 1, SHEET 1	LMH	10/04/17
.	.	.	.
.	.	.	.

GENERAL NOTES:

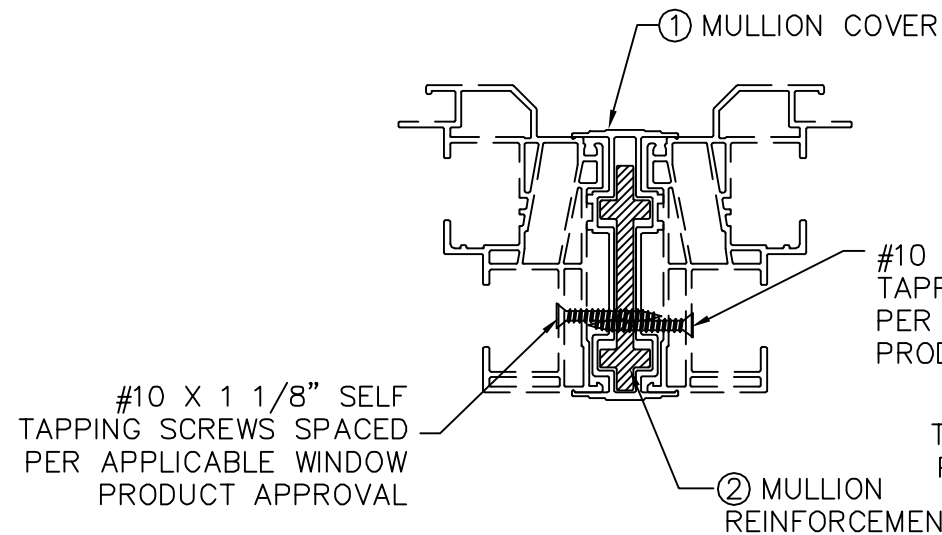
1. THE PRODUCT SHOWN HEREIN IS DESIGNED AND MANUFACTURED TO COMPLY WITH THE 6TH EDITION (2017) FLORIDA BUILDING CODE REQUIREMENTS INCLUDING HVHZ.
2. THIS MULLION IS ONLY VALID WHEN USED IN CONJUNCTION WITH APPLICABLE WINDOW SYSTEMS.
3. ALL WINDOWS USED WITH THIS MULLION SHALL BE QUALIFIED UNDER SEPARATE APPROVAL. ALL GLAZING PRODUCTS USED WITH THESE MULLIONS MUST MEET THE APPLICABLE FLORIDA BUILDING CODE REQUIREMENTS.
4. ADEQUACY OF EXISTING STRUCTURAL CONCRETE/MASONRY, 2X AND STEEL STUD FRAMING AS A MAIN WIND FORCE RESISTING SYSTEM CAPABLE OF WITHSTANDING AND TRANSFERRING APPLIED PRODUCT LOADS TO THE FOUNDATION IS THE RESPONSIBILITY OF THE ENGINEER OR ARCHITECT OF RECORD FOR THE PROJECT INSTALLATION.
5. 2X BUCKS (WHEN USED) SHALL BE DESIGNED AND ANCHORED TO PROPERLY TRANSFER ALL LOADS TO THE STRUCTURE. BUCK DESIGN AND INSTALLATION IS THE RESPONSIBILITY OF THE ENGINEER OR ARCHITECT OF RECORD FOR THE PROJECT INSTALLATION.
6. THE INSTALLATION DETAILS DESCRIBED HEREIN ARE GENERIC AND MAY NOT REFLECT ACTUAL CONDITIONS FOR A SPECIFIC SITE. IF SITE CONDITIONS CAUSE INSTALLATION TO DEVIATE FROM THE REQUIREMENTS DETAILED HEREIN, A LICENSED ENGINEER OR ARCHITECT SHALL PREPARE SITE SPECIFIC DOCUMENTS FOR USE WITH THIS DOCUMENT.
7. THIS PRODUCT DOES NOT REQUIRE AN EXTERNAL IMPACT PROTECTIVE SYSTEM IN WINDBORNE DEBRIS REGIONS, AND IS APPROVED FOR USE IN WIND ZONE 4.



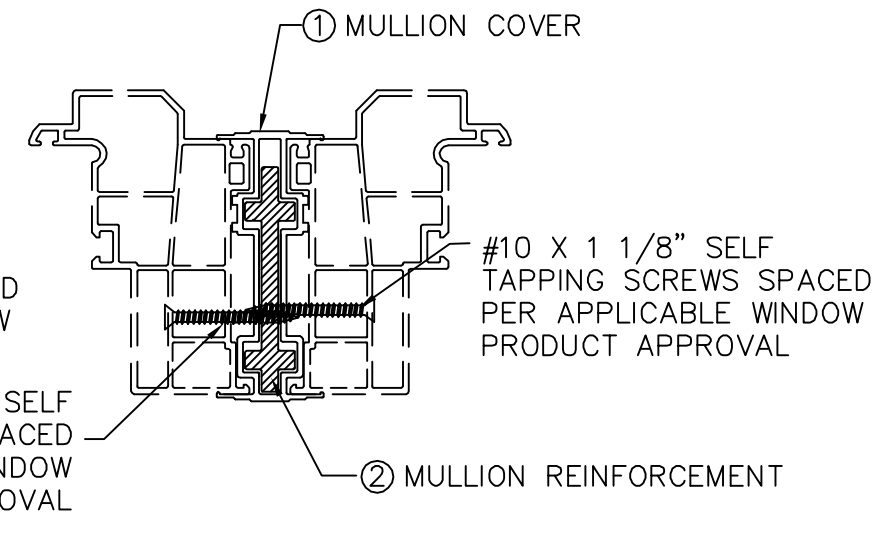
RETROFIT FRAME MULLION
① MEDIUM VINYL MULLION COVER #VPI - 436
EXTRUDED VINYL .070" MIN.



② MEDIUM MULLION REINFORCEMENT #20634
ALUMINUM 6063-T6



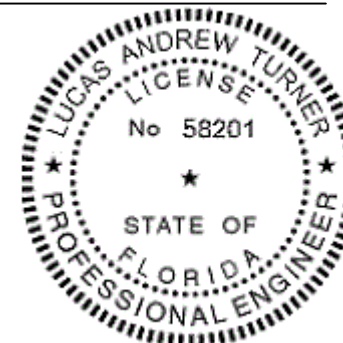
DOUBLE HUNG HORIZONTAL CROSS SECTION



PICTURE (FIXED) HORIZONTAL CROSS SECTION

PARTS LIST			
NUMBER	DESCRIPTION	PART NO	MATERIAL
1	MEDIUM MULLION COVER	VPI-436	PVC
2	MEDIUM MULLION REINFORCEMENT	20634	6063-T6
3	BASE PLATE		STEEL
4	MULLION L-BRACKET		STAINLESS STEEL

TABLE OF CONTENTS	
PAGE NO	DESCRIPTION
1	GENERAL NOTES, PARTS LIST AND CROSS SECTIONS
2	ELEVATION AND DESIGN PRESSURE CHARTS
3	MULLION DETAILS & SILL CROSS SECTIONS



 1 Cochrane Avenue Pennsboro, WV 26415	SIZE: DRAWING NO.: B RM0052HVHZ 4	REV. #: 4
	DRAWN BY: GLS	DATE: 12/18/08
CHECKED BY: C.P.	DATE: 01-24-12	
SCALE: FIT	SHEET: 1 of 3	APPR'VD BY: C.P.
SERIES: STORMBREAKER PLUS 300VL MULLION		
TITLE: GENERAL NOTES & CROSS SECTIONS		

10/04/2017

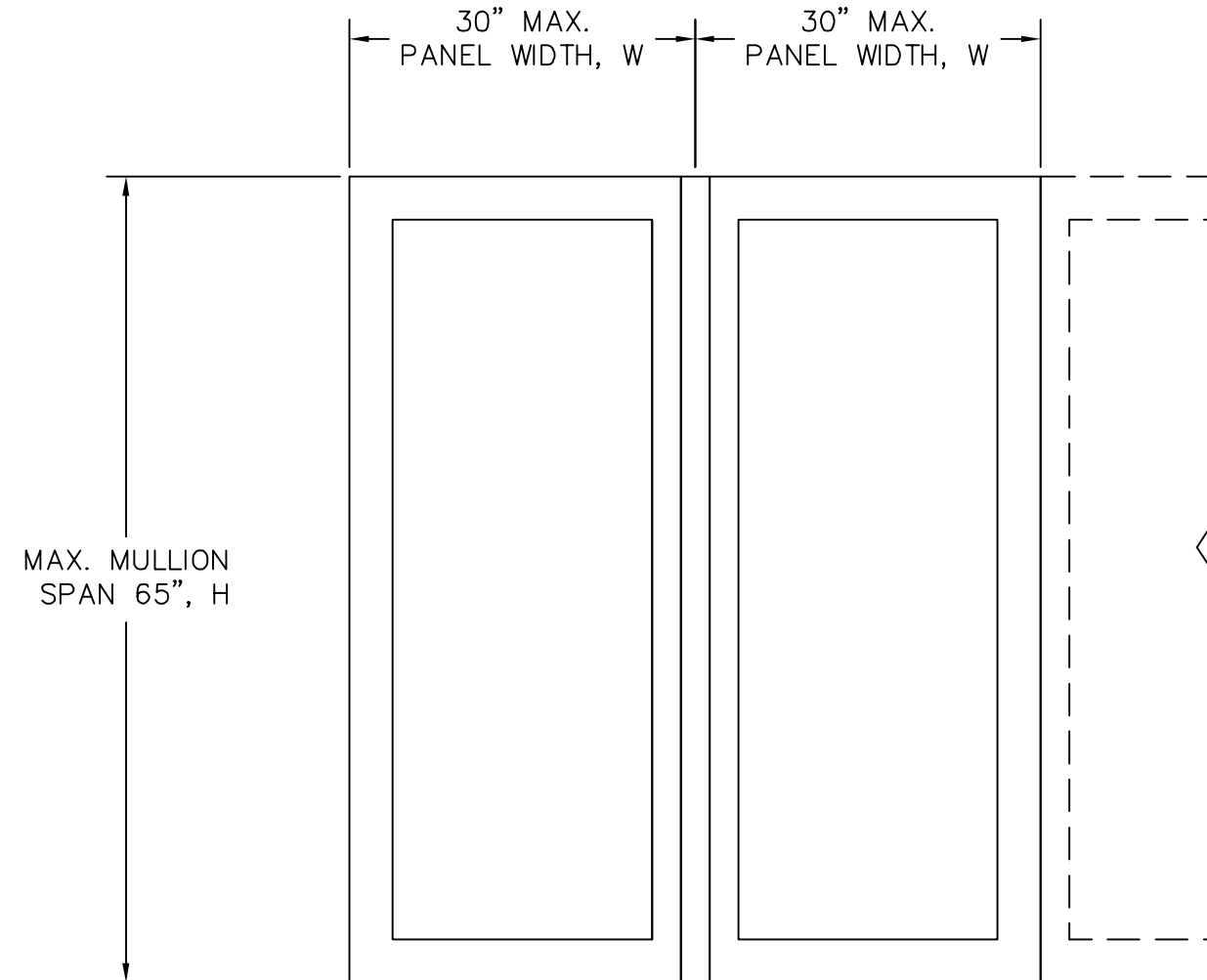
LUCAS A. TURNER, P.E. FL PE #58201
TURNER ENGINEERING & CONSULTING, INC.
FBPE C.O.A. #29779 Ph. 941-380-1574
1239 JABARA AVE, NORTH PORT, FL 34288



1 COCHRANE AVE. PENNSBORO, WV 26415 PH.
800-426-2249

STORMBREAKER PLUS 300VL SERIES
EXTRUDED IMPACT RESISTANT VINYL
MULLIONS WITH MEDIUM ALUMINUM
REINFORCEMENT – HVHZ

REV. #:	REVISIONS:	REVISED BY:	DATE:
2	REVISED PER 2010 FBC	C.P.	01-24-12
3	REVISED PER 5TH ED. (2014) FBC	L.T.	04-25-15
4	UPDATED NOTE 1, SHEET 1	LMH	10/04/17
.	.	.	.
.	.	.	.



DESIGN PRESSURE RATING (PSF)	
±50.0	LARGE MISSILE

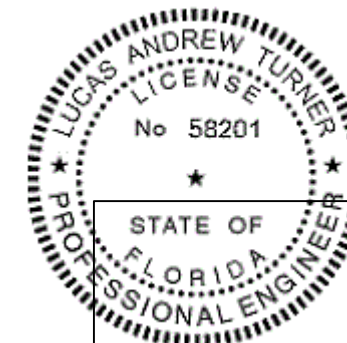
NOTE:

The pressure chart shows the design pressures for the selected mullion span and panel width for achieving bending capacity, deflection and concentrated load limits specified in the Florida Building Code, 6th Edition (2017) including HVHZ.

Adhere to fastening instructions provided in this document to achieve the tabulated design pressures.

Multiple mulled conditions are acceptable as long as load width is not exceeded.

MULLION ELEVATION
DOUBLE HUNG AND FIXED WINDOWS, UNITS IN PSF, MULLION #20634



ZZ

10/04/2017



SIZE: DRAWING NO.:	REV.:
B RM0052HVHZ	4
DRAWN BY:	DATE:
GLS	12/18/08
CHECKED BY:	DATE:
	01-24-12

LUCAS A. TURNER, P.E. FL PE #58201
TURNER ENGINEERING & CONSULTING, INC.
FBPE C.O.A. #29779 Ph. 941-380-1574
1239 JABARA AVE, NORTH PORT, FL 34288

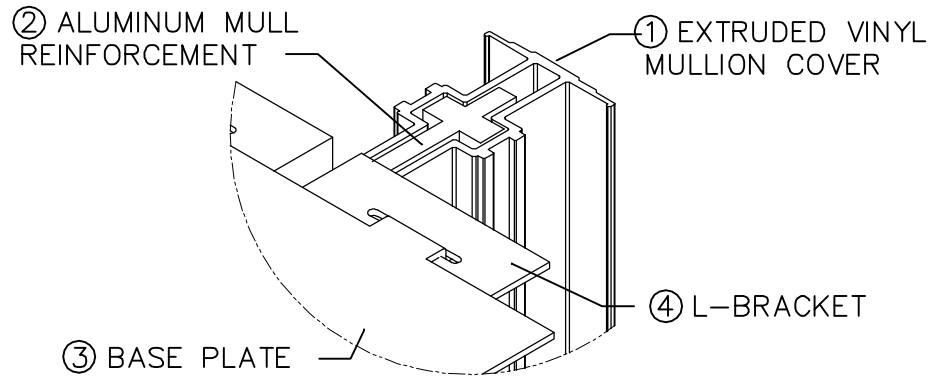
SCALE:	SHEET:	APPRVD BY:	DATE:
FIT	2 of 3	C.P.	
SERIES: STORMBREAKER PLUS 300VL MULLION			
TITLE: ELEVATION AND DESIGN PRESSURE CHARTS			



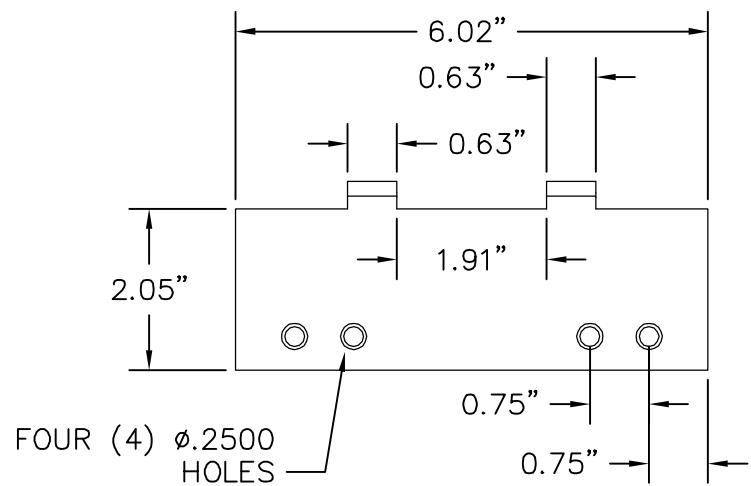
1 COCHRANE AVE. PENNSBORO, WV 26415 PH.
800-426-2249

STORMBREAKER PLUS 300VL SERIES
EXTRUDED IMPACT RESISTANT VINYL
MULLIONS WITH MEDIUM ALUMINUM
REINFORCEMENT - HVHZ

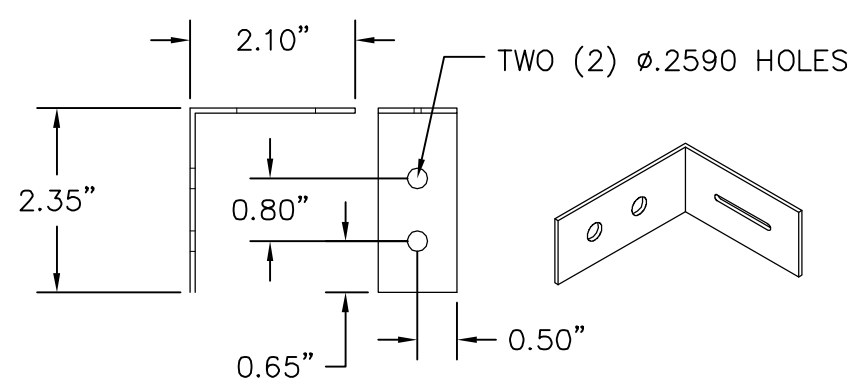
REV. #	REVISIONS:	REVISED BY:	DATE:
2	REVISED PER 2010 FBC	C.P.	01-24-12
3	REVISED PER 5TH ED. (2014) FBC	L.T.	04-25-15
4	UPDATED NOTE 1, SHEET 1	LMH	10/04/17
.	.	.	.
.	.	.	.



DETAIL A

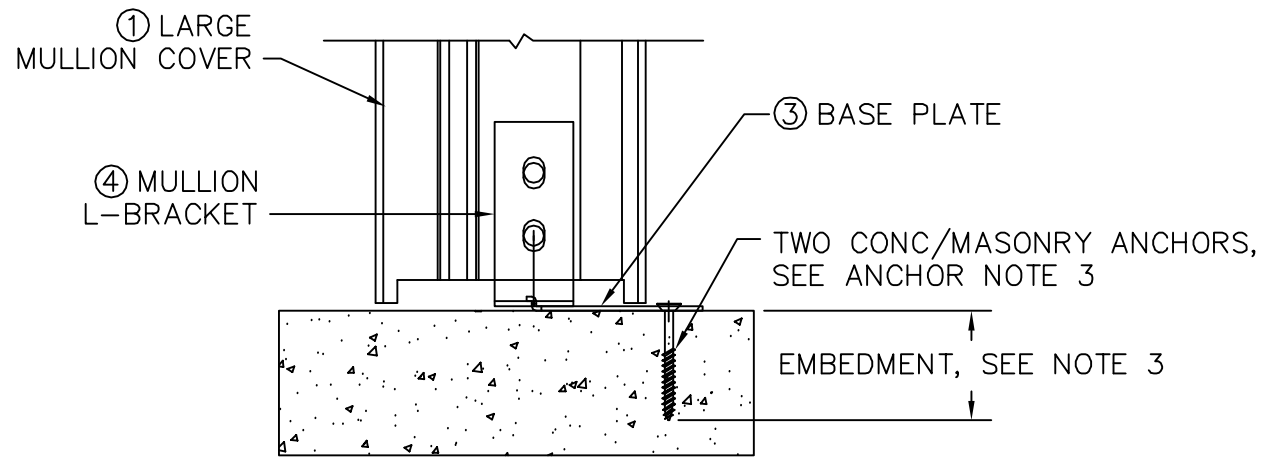


③ REINFORCEMENT BASE PLATE DETAIL
.060\"/>

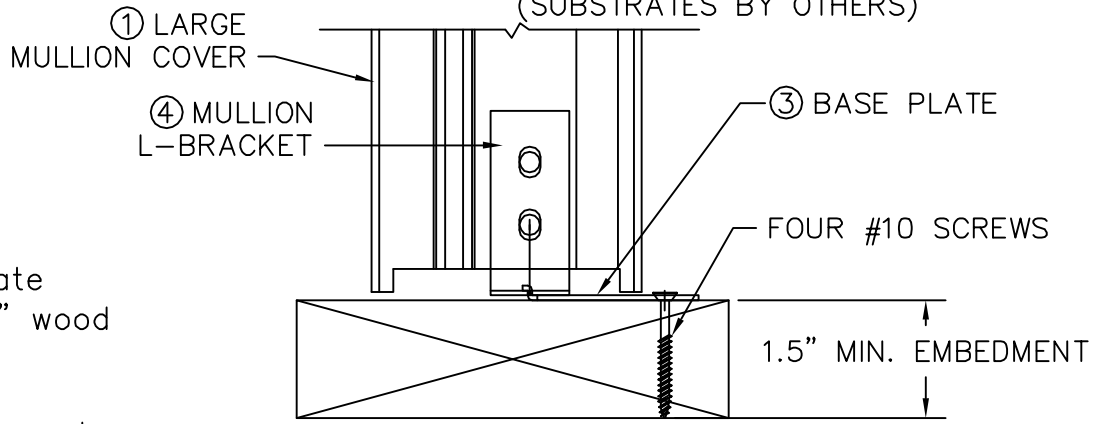


④ MULLION L-BRACKET
.076\"/>

ANCHOR NOTES:
1) To achieve the required design pressures, adhere to the fastener requirements below.
2) INSTALLATION TO WOOD (G=0.42 MIN):
Four (4) #10 wood screws for each base plate with min. 1-1/2\"/>

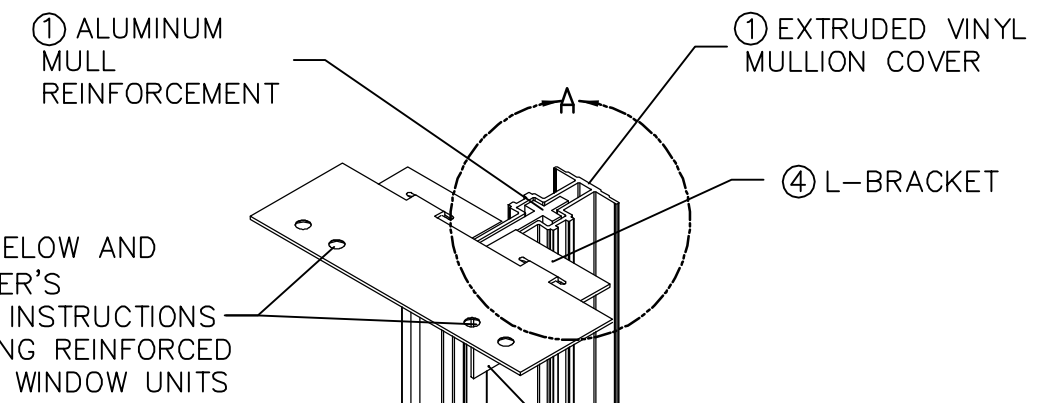


VERTICAL SECTION @ SILL
MASONRY APPLICATION
(SUBSTRATES BY OTHERS)



VERTICAL SECTION @ SILL
WOOD APPLICATION
(SUBSTRATES BY OTHERS)

FASTENER	DESCRIPTION
RIVET	.25 DIA. STEEL RIVET WITH A GRIP LENGTH OF .50 MAX.
BARREL NUT	#10-24 OR #10-32 STAINLESS STEEL BARREL NUT, .250 O.D. X .25\"/>



ASSEMBLED MULL AND ATTACHMENT VIEW

L-BRACKET IS ATTACHED TO VINYL MULL COVER & MULL REINFORCEMENT USING TWO (2) RIVETS OR BARREL NUTS (305 LB MAX SHEAR) 2 ON EACH L-BRACKET REFER TO TABLE 1

PAK-WIK SPACER 1\"/>

SEE NOTES BELOW AND MANUFACTURER'S ATTACHMENT INSTRUCTIONS FOR ATTACHING REINFORCED MULLIONS TO WINDOW UNITS



 1 Cochrane Avenue Pennsboro, WV 26415	SIZE: DRAWING NO.: B RM0052HVHZ 4	REV. # 4
	DRAWN BY: GLS	DATE: 12/18/08
10/04/2017	SCALE: FIT	SHEET: 3 of 3
LUCAS A. TURNER, P.E. FL PE #58201 TURNER ENGINEERING & CONSULTING, INC. FBPE C.O.A. #29779 Ph. 941-380-1574 1239 JABARA AVE, NORTH PORT, FL 34288	SERIES: STORMBREAKER PLUS 300VL MULLION	APPRVD BY: C.P.
TITLE: MULLION DETAILS AND SILL CROSS SECTIONS		DATE: 01-24-12