



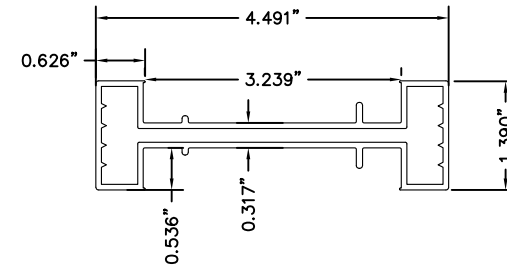
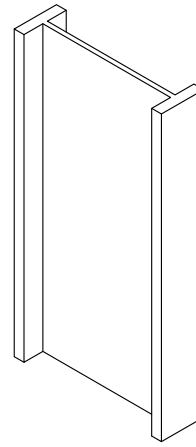
1 COCHRANE AVE. PENNSBORO, WV 26415 PH.
800-426-2249

STORMBREAKER PLUS 300VL SERIES
EXTRUDED IMPACT RESISTANT VINYL
MULLIONS WITH LARGE ALUMINUM
REINFORCEMENT (HVHZ)

GENERAL NOTES:

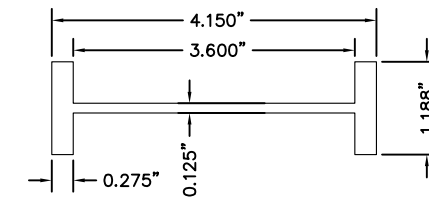
1. THE PRODUCT SHOWN HEREIN IS DESIGNED AND MANUFACTURED TO COMPLY WITH THE 7TH EDITION (2020) FLORIDA BUILDING CODE REQUIREMENTS INCLUDING HVHZ.
2. THIS MULLION IS ONLY VALID WHEN USED IN CONJUNCTION WITH APPLICABLE WINDOW SYSTEMS.
3. ALL WINDOWS USED WITH THIS MULLION SHALL BE QUALIFIED UNDER SEPARATE APPROVAL. ALL GLAZING PRODUCTS USED WITH THESE MULLIONS MUST MEET THE APPLICABLE FLORIDA BUILDING CODE REQUIREMENTS.
4. ADEQUACY OF EXISTING STRUCTURAL CONCRETE/MASONRY, 2X AND STEEL STUD FRAMING AS A MAIN WIND FORCE RESISTING SYSTEM CAPABLE OF WITHSTANDING AND TRANSFERRING APPLIED PRODUCT LOADS TO THE FOUNDATION IS THE RESPONSIBILITY OF THE ENGINEER OR ARCHITECT OF RECORD FOR THE PROJECT INSTALLATION.
5. 2X BUCKS (WHEN USED) SHALL BE DESIGNED AND ANCHORED TO PROPERLY TRANSFER ALL LOADS TO THE STRUCTURE. BUCK DESIGN AND INSTALLATION IS THE RESPONSIBILITY OF THE ENGINEER OR ARCHITECT OF RECORD FOR THE PROJECT INSTALLATION.
6. THE INSTALLATION DETAILS DESCRIBED HEREIN ARE GENERIC AND MAY NOT REFLECT ACTUAL CONDITIONS FOR A SPECIFIC SITE. IF SITE CONDITIONS CAUSE INSTALLATION TO DEVIATE FROM THE REQUIREMENTS DETAILED HEREIN, A LICENSED ENGINEER OR ARCHITECT SHALL PREPARE SITE SPECIFIC DOCUMENTS FOR USE WITH THIS DOCUMENT.
7. THIS PRODUCT DOES NOT REQUIRE AN EXTERNAL IMPACT PROTECTIVE SYSTEM IN WINDBORNE DEBRIS REGIONS, AND IS APPROVED FOR USE IN WIND ZONE 4.

REV. #	REVISIONS:	REVISED BY:	DATE:
3	UPDATED DRAWINGS TO 2010 FBC	C.P.	01-24-12
4	UPDATED DP CHARTS PER NEW TESTING	L.T.	04-26-12
5	UPDATED DESIGN PRESSURE CHART PER NEW TESTING.	T.D.D.	06/20/12
6	UPDATED DRAWINGS TO 5TH ED. (2014) FBC	L.T.	01-24-12
7	UPDATED NOTE 1, SHEET 1 AND NOTE ON SHEET 2 FOR 6TH ED (2017) FBC.	LMH	10-03-17
8	UPDATED NOTE 1, SHEET 1 AND NOTE ON SHEET 2 FOR 7TH ED (2020) FBC.	L.T.	9-28-20

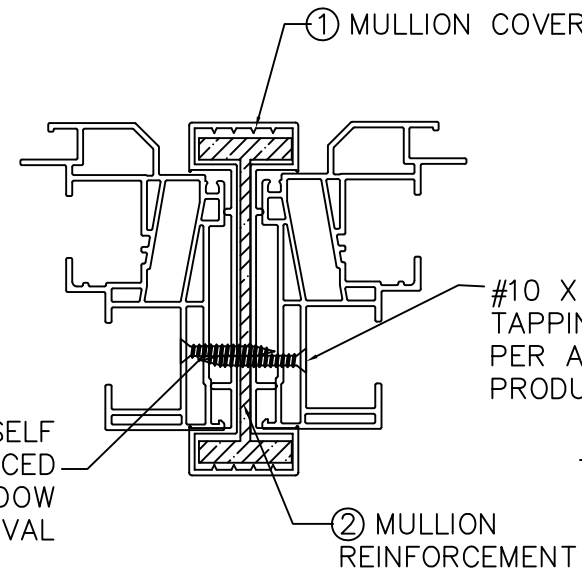


RETROFIT FRAME MULLION

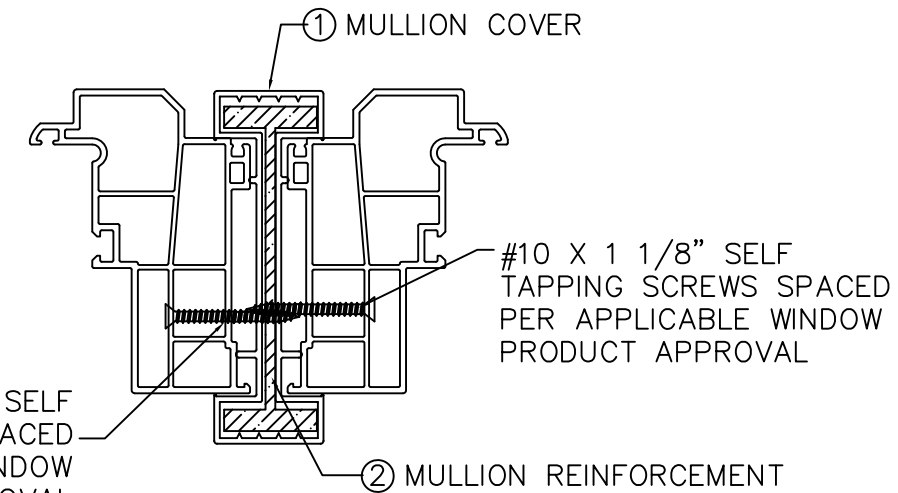
① LARGE VINYL MULLION COVER #VPI - 354 (MP0232)
EXTRUDED VINYL .070" MIN.



② LARGE MULLION REINFORCEMENT #16991
ALUMINUM 6063-T6



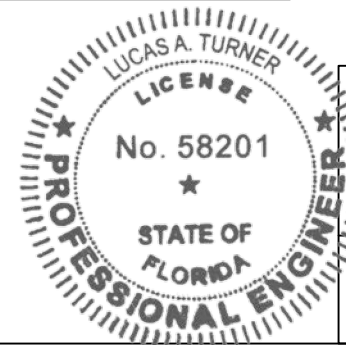
DOUBLE HUNG HORIZONTAL CROSS SECTION



PICTURE (FIXED) HORIZONTAL CROSS SECTION

PARTS LIST			
NUMBER	DESCRIPTION	PART NO	MATERIAL
1	LARGE MULLION COVER	VPI-354 (MP0232)	PVC
2	LARGE MULLION REINFORCEMENT	16991	6063-T6
3	BASE PLATE		STEEL
4	MULLION L-BRACKET		STAINLESS STEEL

TABLE OF CONTENTS	
PAGE NO	DESCRIPTION
1	GENERAL NOTES, PARTS LIST AND CROSS SECTIONS
2	ELEVATION AND DESIGN PRESSURE CHARTS
3	MULLION DETAILS & SILL CROSS SECTIONS



22
9/28/2020
LUCAS A. TURNER, P.E. FL PE #58201
TURNER ENGINEERING & CONSULTING, INC.
FBPE C.O.A. #29779 Ph. 941-380-1574
2428 OLD NATCHEZ TRC. TRL, CAMDEN, TN

SIMONTON® WINDOWS		SIZE: B	DRAWING NO.: RM0051	REV.: 8
1 Cochrane Avenue Pennsboro, WV 26415		DRAWN BY: GLS	DATE: 12/18/08	
		CHECKED BY:	DATE: 04-26-12	
SCALE: FIT	SHEET: 1 of 3	APPRVD BY: J.L.	DATE:	
SERIES: STORMBREAKER PLUS 300VL MULLION				
TITLE: GENERAL NOTES & CROSS SECTIONS				

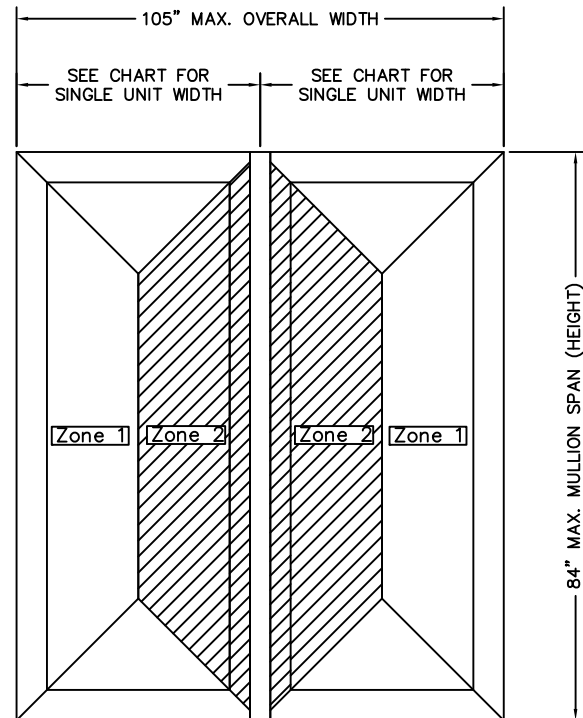


1 COCHRANE AVE. PENNSBORO, WV 26415 PH.
800-426-2249

STORMBREAKER PLUS 300VL SERIES
EXTRUDED IMPACT RESISTANT VINYL
MULLIONS WITH LARGE ALUMINUM
REINFORCEMENT (HVHZ)

REV. #	REVISIONS:	REVISED BY:	DATE:
3	UPDATED DRAWINGS TO 2010 FBC	C.P.	01-24-12
4	UPDATED DP CHARTS PER NEW TESTING	L.T.	04-26-12
5	UPDATED DESIGN PRESSURE CHART PER NEW TESTING.	T.D.D.	06/20/12
6	UPDATED DRAWINGS TO 5TH ED. (2014) FBC	L.T.	01-24-12
7	UPDATED NOTE 1, SHEET 1 AND NOTE ON SHEET 2 FOR 6TH ED (2017) FBC.	LMH	10-03-17
8	UPDATED NOTE 1, SHEET 1 AND NOTE ON SHEET 2 FOR 7TH ED (2020) FBC.	L.T.	9-28-20

DESIGN PRESSURE CHART FOR MULLING
UNITS IN PSF, MULLION #16991



Mullion Length	Individual Unit Width															
	24	28	30	32	34	35	36	37	39	40	44	47	48	50	53	
26	70	70	70	70	70	70	70	70	70	70	70	70	70	70	70	
36	70	70	70	70	70	70	70	70	70	70	70	70	70	70	70	
42	70	70	70	70	70	70	70	70	70	70	70	70	70	70	70	
52	70	70	70	70	70	70	70	70	70	70	70	70	70	70	70	
56	70	70	70	70	70	70	70	70	70	70	70	70	70	70	70	
58	70	70	70	70	70	70	70	70	70	70	70	70	70	65	65	
60	70	70	70	70	70	70	70	70	70	70	65	65	65	65	60	
62	70	70	70	70	70	70	70	70	65	65	65	60	60	60	60	
63	70	70	70	70	70	70	70	65	65	65	60	60	60	60	55	
65	70	70	70	70	70	65	65	65	60	60	60	55	55	55	55	
67	70	70	70	70	65	65	65	60	60	60	55	55	55	50	50	
68	70	70	70	65	65	60	60	60	60	55	55	50	50	50	50	
70	70	70	65	65	60	60	60	60	55	55	50	50	50	50	45	
71	70	70	65	65	60	60	60	55	55	55	50	50	50	45	45	
72	70	70	65	60	60	60	55	55	55	55	50	50	45	45	45	
74	70	65	60	60	55	55	55	55	50	50	50	45	45	45	45	
76	70	65	60	55	55	55	50	50	50	50	45	45	45	45	40	
78	70	60	60	55	55	50	50	50	50	45	45	40	40	40	40	
80	65	60	55	55	50	50	50	50	45	45	40	40	40	40	40	
82	65	60	55	50	50	50	45	45	45	45	40	40	40	40	35	
84	65	55	55	50	50	45	45	45	45	40	40	40	35	35	35	

note: for the HVHZ regions, a minimum of DP 50 is required; all DPs less than this are indicated in red

NOTE:

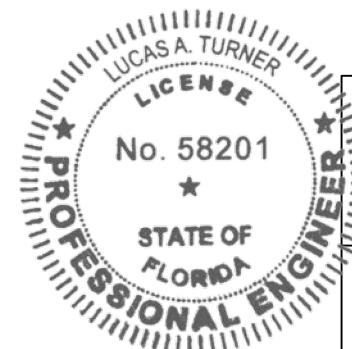
The pressure charts show the design pressures for the selected mullion span and panel width for achieving bending capacity, deflection and concentrated load limits specified in the Florida Building Code, 7th Ed. (2020) edition.

Adhere to fastening instructions provided in this document to achieve the tabulated design pressures.

DIRECTIONS:

Select the module width and mullion span from the chart to determine the allowable design pressure for the product. When panel sizes are not equal on both sizes of the mullion, use the larger of the panel widths from the chart.

THE LOWER OF THE WINDOW DESIGN PRESSURE (SEE SEPARATE APPROVAL) OR MULLION DESIGN PRESSURE SHALL APPLY TO THE ENTIRE ASSEMBLY.



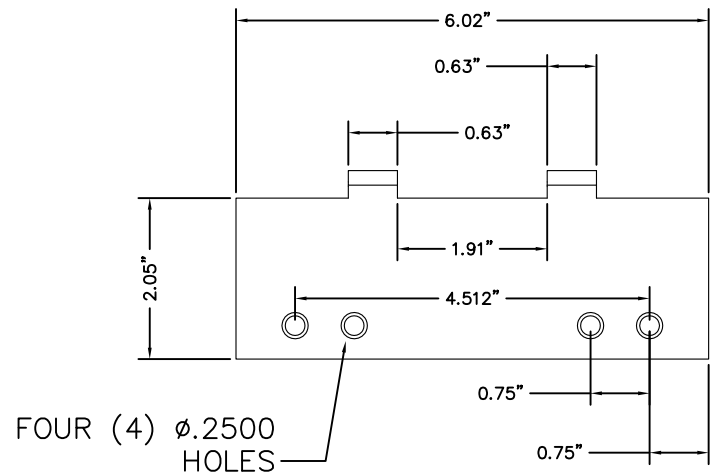
 9/28/2020	 1 Cochrane Avenue Pennsboro, WV 26415		SIZE: B DRAWING NO.: RM0051 REV.: 8
	SCALE: FIT SHEET: 2 of 3	APPRVD BY: J.L. DATE: 04-26-12	DRAWN BY: GLS DATE: 12/18/08 CHECKED BY: DATE:
LUCAS A. TURNER, P.E. FL PE #58201 TURNER ENGINEERING & CONSULTING, INC. FBPE C.O.A. #29779 Ph. 941-380-1574 2428 OLD NATCHEZ TRC. TRL, CAMDEN, TN		SERIES: STORMBREAKER PLUS 300VL MULLION TITLE: ELEVATION AND DESIGN PRESSURE CHARTS	



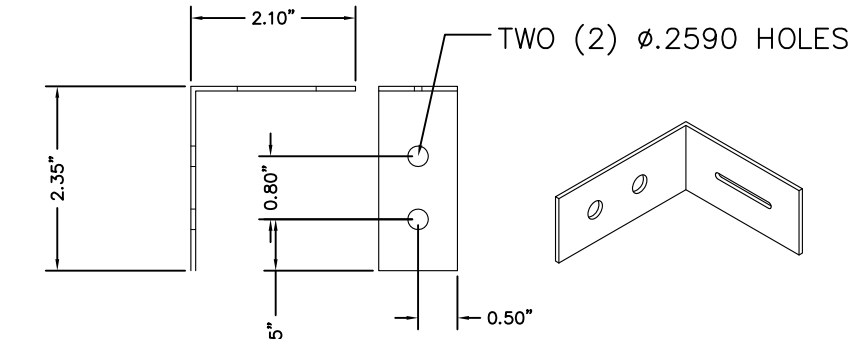
1 COCHRANE AVE. PENNSBORO, WV 26415 PH. 800-426-2249

**STORMBREAKER PLUS 300VL SERIES
EXTRUDED IMPACT RESISTANT VINYL
MULLIONS WITH LARGE ALUMINUM
REINFORCEMENT (HVHZ)**

REV. #	REVISIONS:	REVISED BY:	DATE:
3	UPDATED DRAWINGS TO 2010 FBC	C.P.	01-24-12
4	UPDATED DP CHARTS PER NEW TESTING	L.T.	04-26-12
5	UPDATED DESIGN PRESSURE CHART PER NEW TESTING.	T.D.D.	06/20/12
6	UPDATED DRAWINGS TO 5TH ED. (2014) FBC	L.T.	01-24-12
7	UPDATED NOTE 1, SHEET 1 AND NOTE ON SHEET 2 FOR 6TH ED (2017) FBC.	LMH	10-03-17
8	UPDATED NOTE 1, SHEET 1 AND NOTE ON SHEET 2 FOR 7TH ED (2020) FBC.	L.T.	9-28-20

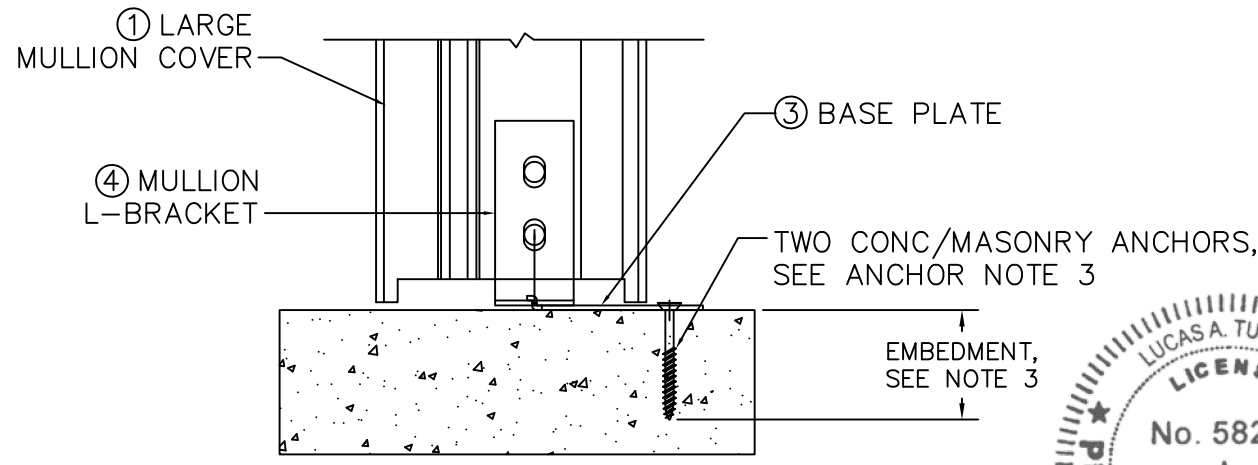
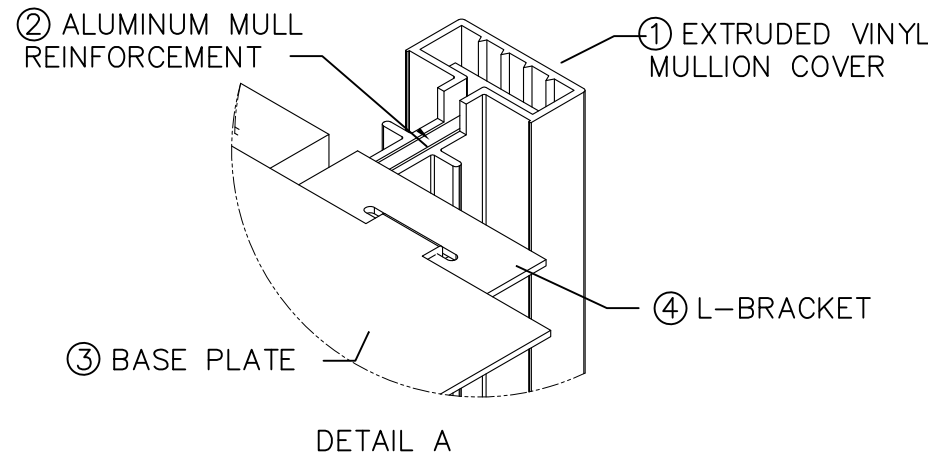


③ REINFORCEMENT BASE PLATE DETAIL
.060" MIN. STEEL

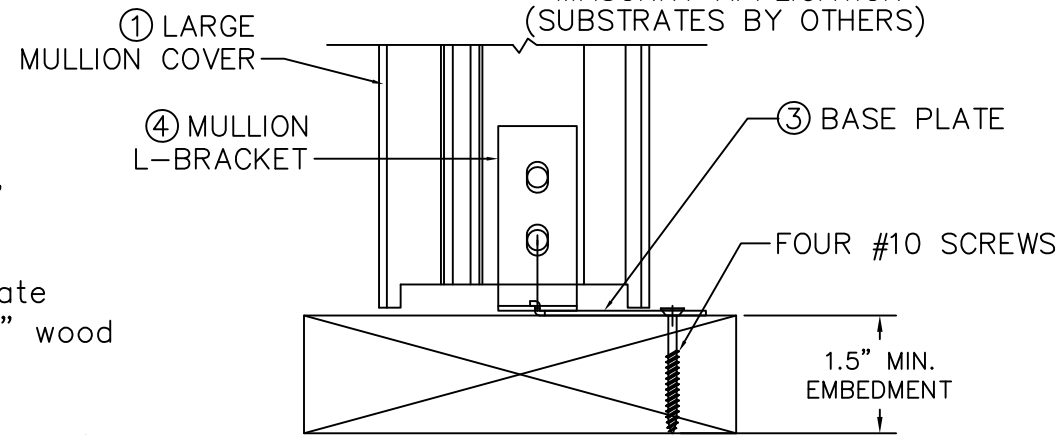


④ MULLION L-BRACKET
.076" MIN. STAINLESS STEEL

ANCHOR NOTES:
 1) To achieve the required design pressures, adhere to the fastener requirements below.
 2) INSTALLATION TO WOOD (G=0.42 MIN):
 Four (4) #10 wood screws for each base plate with min. 1-1/2" embedment and min. 7/8" wood edge distance.
 3) INSTALLATION TO CONCRETE/MASONRY:
 Two (2) screws for each base plate in outermost holes. In grout-filled CMU block (ASTM C-90 Compliant) use 1/4" Elco Ultracons with 1 3/8" min. embed. to block and 1" min. edge dist. with min. 1-1/4" embedment. In solid concrete (2.85 ksi min.) use 3/16" ITW Tapcons or 1/4" Elco Ultracons with 1 3/4" min. embed to concrete, and 1 1/8" min. edge dist.

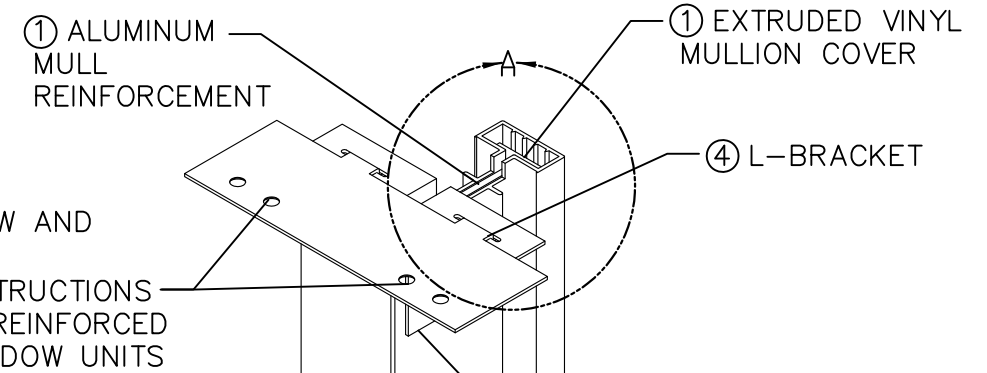


VERTICAL SECTION @ SILL
MASONRY APPLICATION
(SUBSTRATES BY OTHERS)

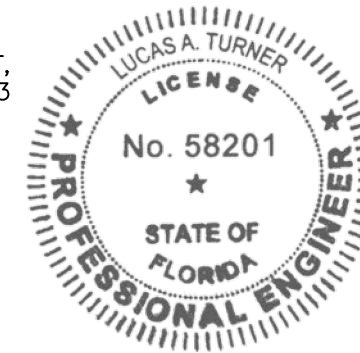


VERTICAL SECTION @ SILL
WOOD APPLICATION
(SUBSTRATES BY OTHERS)

TABLE 1 (MULLION ATTACHING HARDWARE)	
RIVET	5/16" DIA. STEEL RIVET WITH A GRIP LENGTH OF .50 MAX.
BARREL NUT	#10-24 OR #10-32 STAINLESS STEEL BARREL NUT, 5/16" O.D. X .25" LG WITH .125 MIN ENGAGEMENT



L-BRACKET IS ATTACHED TO VINYL MULL COVER & MULL REINFORCEMENT USING TWO (2) RIVETS OR BARREL NUTS, 2 ON EACH L-BRACKET REFER TO TABLE 1



SEE NOTES BELOW AND MANUFACTURER'S ATTACHMENT INSTRUCTIONS FOR ATTACHING REINFORCED MULLIONS TO WINDOW UNITS

ASSEMBLED MULL AND ATTACHMENT VIEW

22	9/28/2020		SCALE: FIT	SHEET: 3 of 3	APPRVD BY: J.L.	DATE: 04-26-12
	LUCAS A. TURNER, P.E. FL PE #58201 TURNER ENGINEERING & CONSULTING, INC. FBPE C.O.A. #29779 Ph. 941-380-1574 2428 OLD NATCHEZ TRC. TRL, CAMDEN, TN					
		SIZE: DRAWING NO.: B RM0051 DRAWN BY: GLS DATE: 12/18/08 CHECKED BY: DATE:		SERIES: STORMBREAKER PLUS 300VL MULLION TITLE: MULLION DETAILS AND SILL CROSS SECTIONS		