



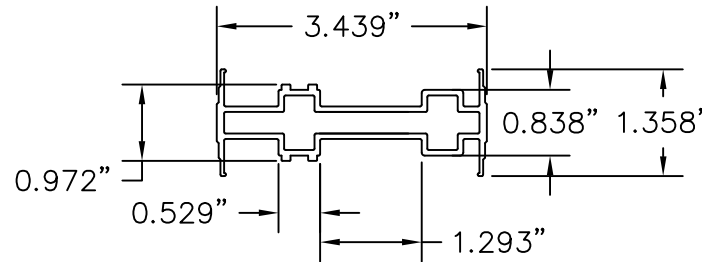
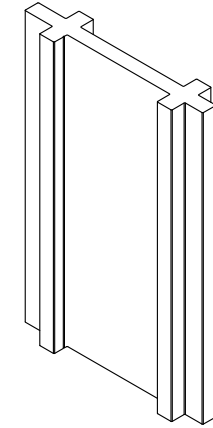
1 COCHRANE AVE. PENNSBORO, WV 26415 PH.
800-426-2249

STORMBREAKER PLUS 300VL SERIES
EXTRUDED IMPACT RESISTANT VINYL
MULLIONS WITH MEDIUM ALUMINUM
REINFORCEMENT - HVHZ

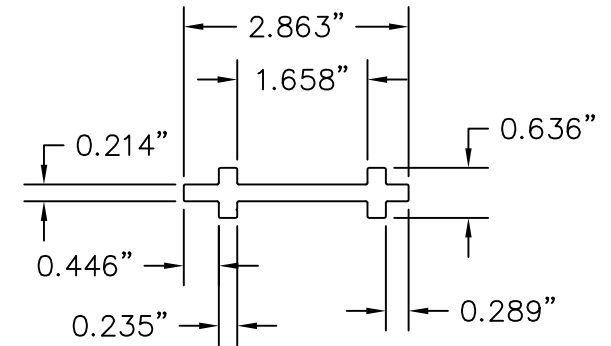
REV. #	REVISIONS:	REVISED BY:	DATE:
2	REVISED PER 2010 FBC	C.P.	01-24-12
3	REVISED PER 5TH ED. (2014) FBC	L.T.	04-25-15
4	UPDATE NOTE 1, SHEET 1, PER 6TH ED. FBC	LMH	10-4-17
5	UPDATE NOTE 1, SHEET 1, PER 7TH ED. FBC	L.T.	9-28-20

GENERAL NOTES:

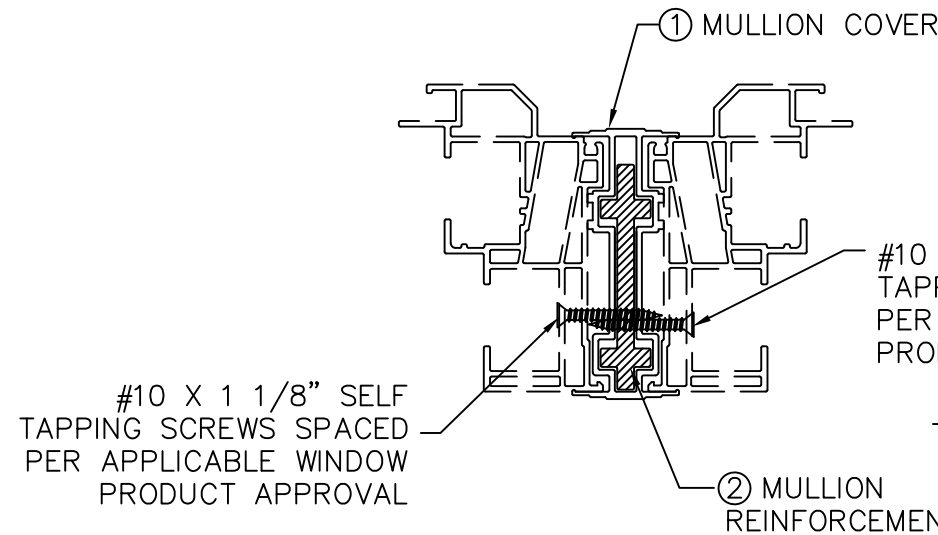
1. THE PRODUCT SHOWN HEREIN IS DESIGNED AND MANUFACTURED TO COMPLY WITH THE 7TH EDITION (2020) FLORIDA BUILDING CODE REQUIREMENTS INCLUDING HVHZ.
2. THIS MULLION IS ONLY VALID WHEN USED IN CONJUNCTION WITH APPLICABLE WINDOW SYSTEMS.
3. ALL WINDOWS USED WITH THIS MULLION SHALL BE QUALIFIED UNDER SEPARATE APPROVAL. ALL GLAZING PRODUCTS USED WITH THESE MULLIONS MUST MEET THE APPLICABLE FLORIDA BUILDING CODE REQUIREMENTS.
4. ADEQUACY OF EXISTING STRUCTURAL CONCRETE/MASONRY, 2X AND STEEL STUD FRAMING AS A MAIN WIND FORCE RESISTING SYSTEM CAPABLE OF WITHSTANDING AND TRANSFERRING APPLIED PRODUCT LOADS TO THE FOUNDATION IS THE RESPONSIBILITY OF THE ENGINEER OR ARCHITECT OF RECORD FOR THE PROJECT INSTALLATION.
5. 2X BUCKS (WHEN USED) SHALL BE DESIGNED AND ANCHORED TO PROPERLY TRANSFER ALL LOADS TO THE STRUCTURE. BUCK DESIGN AND INSTALLATION IS THE RESPONSIBILITY OF THE ENGINEER OR ARCHITECT OF RECORD FOR THE PROJECT INSTALLATION.
6. THE INSTALLATION DETAILS DESCRIBED HEREIN ARE GENERIC AND MAY NOT REFLECT ACTUAL CONDITIONS FOR A SPECIFIC SITE. IF SITE CONDITIONS CAUSE INSTALLATION TO DEVIATE FROM THE REQUIREMENTS DETAILED HEREIN, A LICENSED ENGINEER OR ARCHITECT SHALL PREPARE SITE SPECIFIC DOCUMENTS FOR USE WITH THIS DOCUMENT.
7. THIS PRODUCT DOES NOT REQUIRE AN EXTERNAL IMPACT PROTECTIVE SYSTEM IN WINDBORNE DEBRIS REGIONS, AND IS APPROVED FOR USE IN WIND ZONE 4.



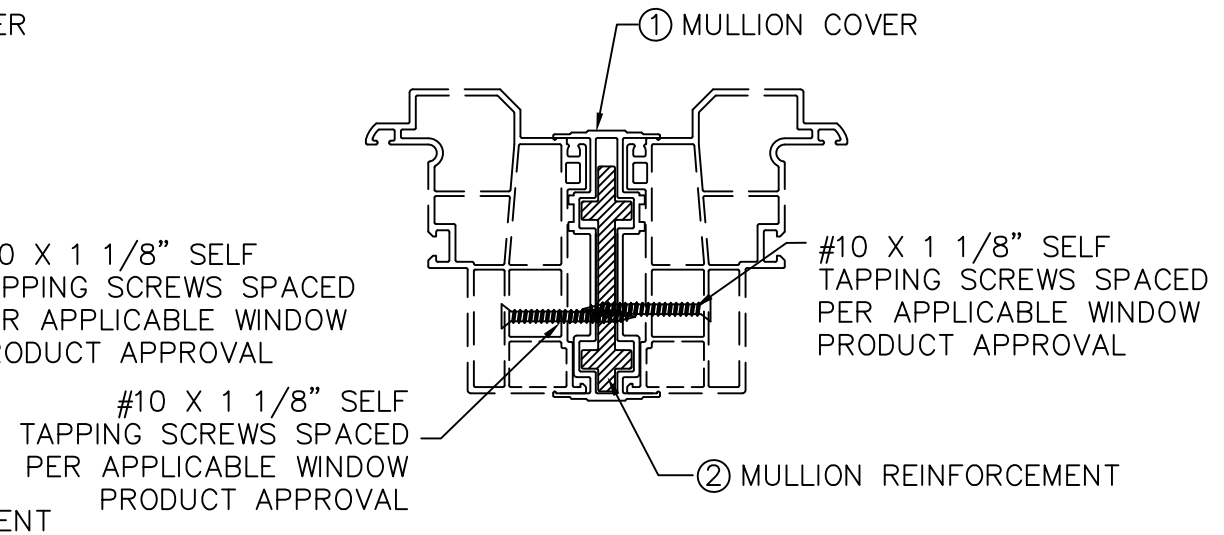
RETROFIT FRAME MULLION
① MEDIUM VINYL MULLION COVER #VPI - 436
EXTRUDED VINYL .070" MIN.



② MEDIUM MULLION REINFORCEMENT #20634
ALUMINUM 6063-T6



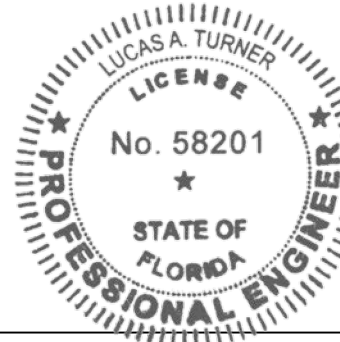
DOUBLE HUNG HORIZONTAL CROSS SECTION



PICTURE (FIXED) HORIZONTAL CROSS SECTION

PARTS LIST			
NUMBER	DESCRIPTION	PART NO	MATERIAL
1	MEDIUM MULLION COVER	VPI-436	PVC
2	MEDIUM MULLION REINFORCEMENT	20634	6063-T6
3	BASE PLATE		STEEL
4	MULLION L-BRACKET		STAINLESS STEEL

TABLE OF CONTENTS	
PAGE NO	DESCRIPTION
1	GENERAL NOTES, PARTS LIST AND CROSS SECTIONS
2	ELEVATION AND DESIGN PRESSURE CHARTS
3	MULLION DETAILS & SILL CROSS SECTIONS



22
9/28/2020
LUCAS A. TURNER, P.E. FL PE #58201
TURNER ENGINEERING & CONSULTING, INC.
FBPE C.O.A. #29779 Ph. 941-380-1574
2428 OLD NATCHEZ TRC. TRL, CAMDEN, TN

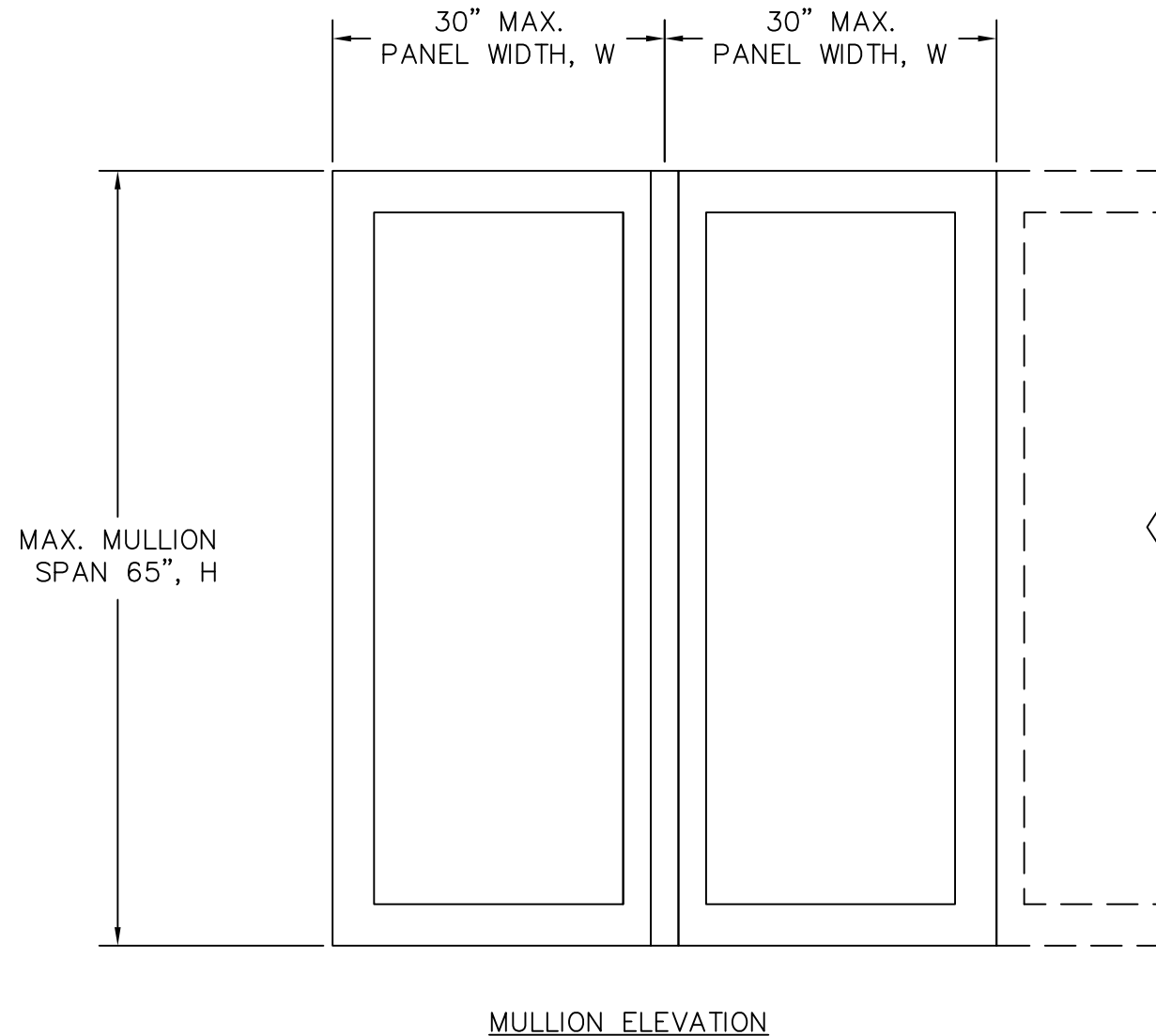
		SIZE: DRAWING NO.: B RM0052HVHZ 5	REV.: 5
1 Cochrane Avenue Pennsboro, WV 26415		DRAWN BY: GLS	DATE: 12/18/08
SCALE: FIT		CHECKED BY: C.P.	DATE: 01-24-12
SERIES: STORMBREAKER PLUS 300VL MULLION		SHEET: 1 of 3	APPR'VD BY: C.P.
TITLE: GENERAL NOTES & CROSS SECTIONS			



1 COCHRANE AVE. PENNSBORO, WV 26415 PH.
800-426-2249

STORMBREAKER PLUS 300VL SERIES
EXTRUDED IMPACT RESISTANT VINYL
MULLIONS WITH MEDIUM ALUMINUM
REINFORCEMENT - HVHZ

REV. #	REVISIONS:	REVISED BY:	DATE:
2	REVISED PER 2010 FBC	C.P.	01-24-12
3	REVISED PER 5TH ED. (2014) FBC	L.T.	04-25-15
4	UPDATE NOTE 1, SHEET 1, PER 6TH ED. FBC	LMH	10-4-17
5	UPDATE NOTE 1, SHEET 1, PER 7TH ED. FBC	L.T.	9-28-20
.	.	.	.



DESIGN PRESSURE RATING (PSF)	
±50.0	LARGE MISSILE

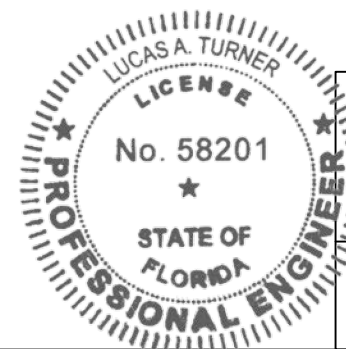
NOTE:

The pressure chart shows the design pressures for the selected mullion span and panel width for achieving bending capacity, deflection and concentrated load limits specified in the Florida Building Code, 7th Edition (2020) including HVHZ.

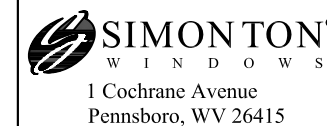
Adhere to fastening instructions provided in this document to achieve the tabulated design pressures.

Multiple mulled conditions are acceptable as long as load width is not exceeded.

MULLION ELEVATION
DOUBLE HUNG AND FIXED WINDOWS, UNITS IN PSF, MULLION #20634



22
9/28/2020
LUCAS A. TURNER, P.E. FL PE #58201
TURNER ENGINEERING & CONSULTING, INC.
FBPE C.O.A. #29779 Ph. 941-380-1574
2428 OLD NATCHEZ TRC. TRL, CAMDEN, TN



1 Cochrane Avenue
Pennsboro, WV 26415

SIZE: DRAWING NO.:	REV.:
B RM0052HVHZ	5
DRAWN BY:	DATE:
GLS	12/18/08
CHECKED BY:	DATE:
	01-24-12

SCALE:	SHEET:	APPRVD BY:	DATE:
FIT	2 of 3	C.P.	

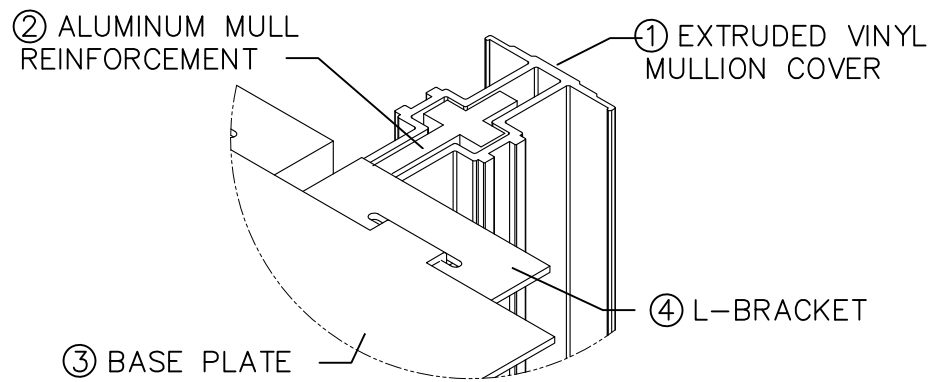
SERIES: STORMBREAKER PLUS 300VL MULLION
TITLE: ELEVATION AND DESIGN PRESSURE CHARTS



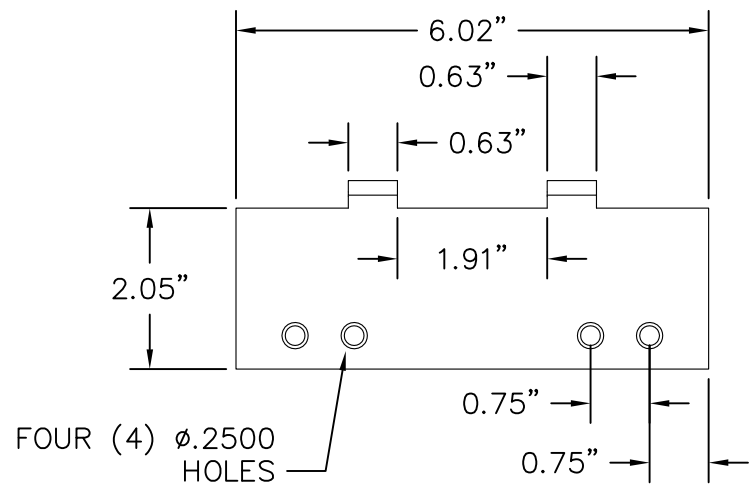
1 COCHRANE AVE. PENNSBORO, WV 26415 PH. 800-426-2249

STORMBREAKER PLUS 300VL SERIES
EXTRUDED IMPACT RESISTANT VINYL
MULLIONS WITH MEDIUM ALUMINUM
REINFORCEMENT - HVHZ

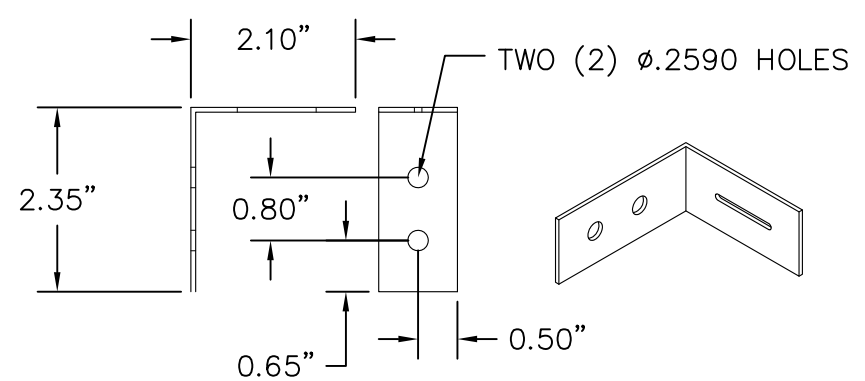
REV. #	REVISIONS:	REVISED BY:	DATE:
2	REVISED PER 2010 FBC	C.P.	01-24-12
3	REVISED PER 5TH ED. (2014) FBC	L.T.	04-25-15
4	UPDATE NOTE 1, SHEET 1, PER 6TH ED. FBC	LMH	10-4-17
5	UPDATE NOTE 1, SHEET 1, PER 7TH ED. FBC	L.T.	9-28-20



DETAIL A

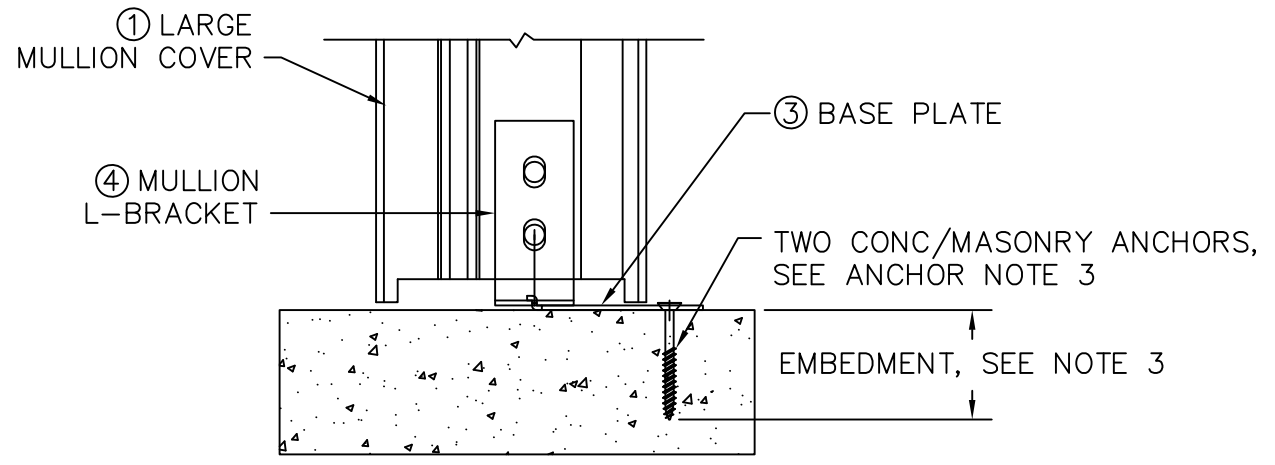


③ REINFORCEMENT BASE PLATE DETAIL
.060" MIN. STEEL

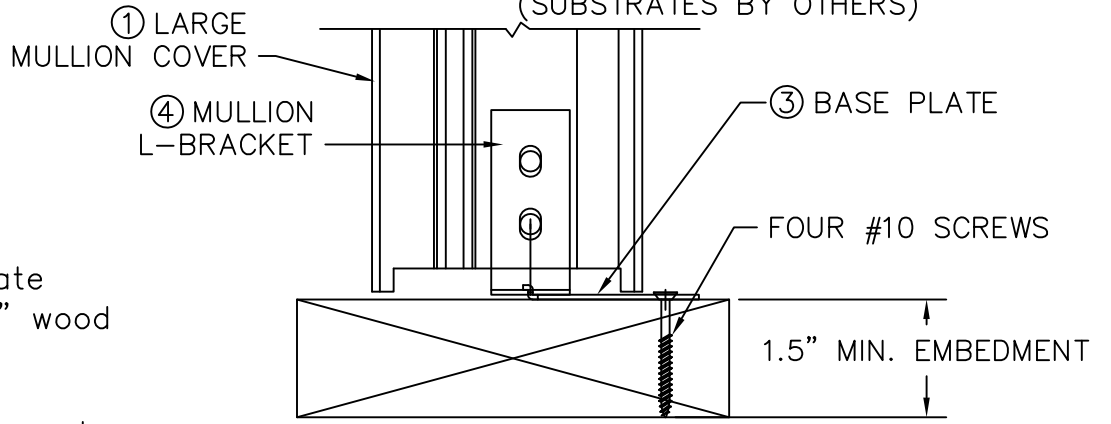


④ MULLION L-BRACKET
.076" MIN. STAINLESS STEEL

ANCHOR NOTES:
1) To achieve the required design pressures, adhere to the fastener requirements below.
2) INSTALLATION TO WOOD (G=0.42 MIN):
Four (4) #10 wood screws for each base plate with min. 1-1/2" embedment and min. 7/8" wood edge distance.
3) INSTALLATION TO CONCRETE/MASONRY:
Two (2) screws for each base plate in outermost holes. In grout-filled CMU block (ASTM C-90 Compliant) use 1/4" Elco Ultracons with 1 3/8" min. embed. to block and 1" min. edge dist. with min. 1-1/4" embedment. In solid concrete (2.85 ksi min.) use 3/16" ITW Tapcons or 1/4" Elco Ultracons with 1 3/4" min. embed to concrete, and 1 1/8" min. edge dist.

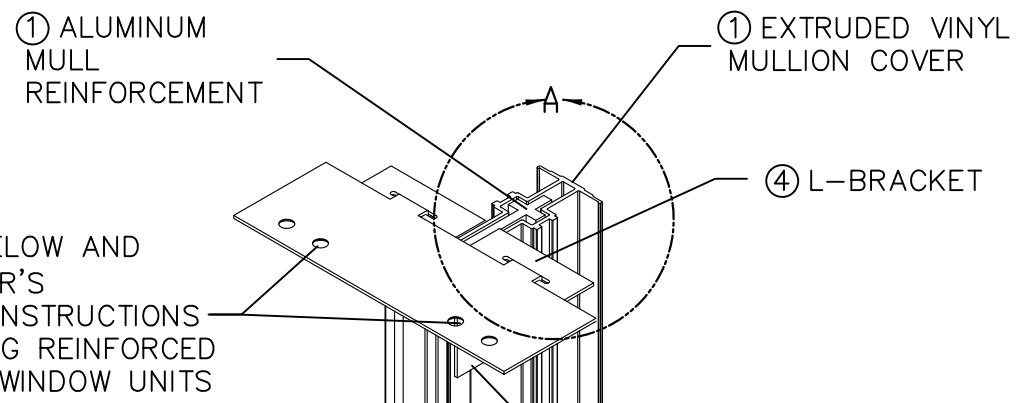


VERTICAL SECTION @ SILL
MASONRY APPLICATION
(SUBSTRATES BY OTHERS)



VERTICAL SECTION @ SILL
WOOD APPLICATION
(SUBSTRATES BY OTHERS)

FASTENER	DESCRIPTION
RIVET	.25 DIA. STEEL RIVET WITH A GRIP LENGTH OF .50 MAX.
BARREL NUT	#10-24 OR #10-32 STAINLESS STEEL BARREL NUT, .250 O.D. X .25" LG WITH .125 MIN ENGAGEMENT



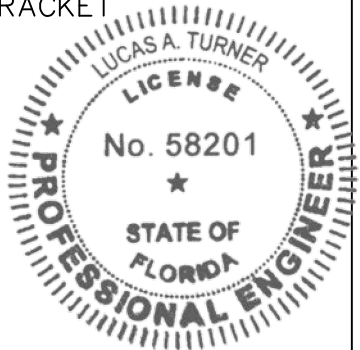
SEE NOTES BELOW AND MANUFACTURER'S ATTACHMENT INSTRUCTIONS FOR ATTACHING REINFORCED MULLIONS TO WINDOW UNITS

L-BRACKET IS ATTACHED TO VINYL MULL COVER & MULL REINFORCEMENT USING TWO (2) RIVETS OR BARREL NUTS (305 LB MAX SHEAR) 2 ON EACH L-BRACKET REFER TO TABLE 1

PAK-WIK SPACER 1" X 1/2" X 1/4" THK. MAX. (4) REQ. (2) AT TOP AND (2) AT BOTTOM

SEE NOTES BELOW AND MANUFACTURER'S ATTACHMENT INSTRUCTIONS FOR ATTACHING REINFORCED MULLIONS TO WINDOW UNITS

ASSEMBLED MULL AND ATTACHMENT VIEW



22
9/28/2020
LUCAS A. TURNER, P.E. FL PE #58201
TURNER ENGINEERING & CONSULTING, INC.
FBPE C.O.A. #29779 Ph. 941-380-1574
2428 OLD NATCHEZ TRC. TRL, CAMDEN, TN

SIMONTON WINDOWS
1 Cochrane Avenue
Pennsboro, WV 26415

SIZE: DRAWING NO.: B RM0052HVHZ
REV: 5
DRAWN BY: GLS DATE: 12/18/08
CHECKED BY: DATE:
APPRVD BY: C.P. DATE: 01-24-12
SCALE: FIT SHEET: 3 of 3
SERIES: STORMBREAKER PLUS 300VL MULLION
TITLE: MULLION DETAILS AND SILL CROSS SECTIONS