



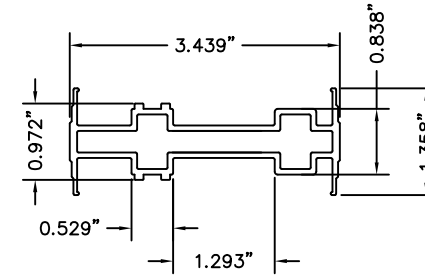
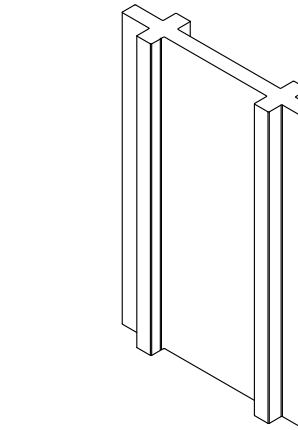
1 COCHRANE AVE. PENNSBORO, WV 26415 PH.  
800-426-2249

**STORMBREAKER PLUS 300VL SERIES  
MULLIONS WITH MEDIUM ALUMINUM  
REINFORCEMENT – NON-HVHZ  
FOR IMPACT RESISTANT ASSEMBLIES**

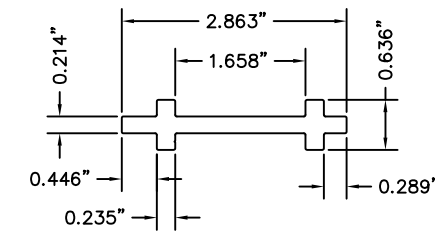
REV. #	REVISIONS:	REVISED BY:	DATE:
2	REVISED PER 2010 FBC	C.P.	01-24-12
3	UPDATED DESIGN PRESSURE RATINGS CHART PER NEW TESTING.	T.D.D.	06/20/12
4	REVISED PER 5TH ED. (2014) FBC	L.T.	04-25-15
5	UPDATE NOTE 1, SHEET 1, PER 6TH ED. FBC	LMH	10-04-17
6	UPDATE NOTE 1, SHEET 1, PER 7TH ED. FBC	L.T.	9-28-20

**GENERAL NOTES:**

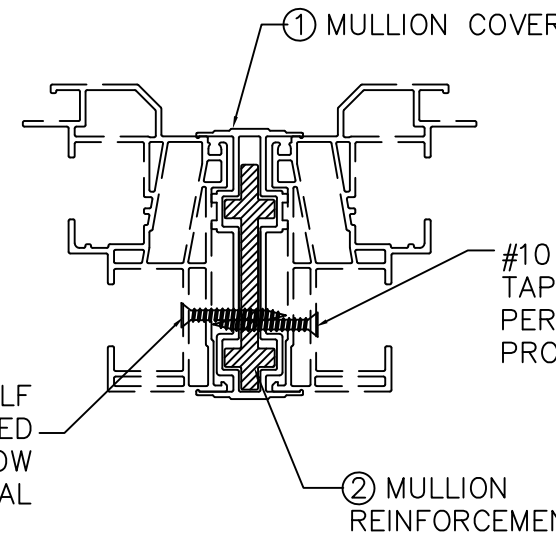
1. THE PRODUCT SHOWN HEREIN IS DESIGNED AND MANUFACTURED TO COMPLY WITH THE 7TH EDITION (2020) FLORIDA BUILDING CODE REQUIREMENTS EXCLUDING HVHZ.
2. THIS MULLION IS ONLY VALID WHEN USED IN CONJUNCTION WITH APPLICABLE SIMONTON WINDOW SYSTEMS.
3. ALL WINDOWS USED WITH THIS MULLION SHALL BE QUALIFIED UNDER SEPARATE APPROVAL. ALL GLAZING PRODUCTS USED WITH THESE MULLIONS MUST MEET THE APPLICABLE FLORIDA BUILDING CODE REQUIREMENTS.
4. ADEQUACY OF EXISTING STRUCTURAL CONCRETE/MASONRY, 2X AND STEEL STUD FRAMING AS A MAIN WIND FORCE RESISTING SYSTEM CAPABLE OF WITHSTANDING AND TRANSFERRING APPLIED PRODUCT LOADS TO THE FOUNDATION IS THE RESPONSIBILITY OF THE ENGINEER OR ARCHITECT OF RECORD FOR THE PROJECT INSTALLATION.
5. 2X BUCKS (WHEN USED) SHALL BE DESIGNED AND ANCHORED TO PROPERLY TRANSFER ALL LOADS TO THE STRUCTURE. BUCK DESIGN AND INSTALLATION IS THE RESPONSIBILITY OF THE ENGINEER OR ARCHITECT OF RECORD FOR THE PROJECT INSTALLATION.
6. THE INSTALLATION DETAILS DESCRIBED HEREIN ARE GENERIC AND MAY NOT REFLECT ACTUAL CONDITIONS FOR A SPECIFIC SITE. IF SITE CONDITIONS CAUSE INSTALLATION TO DEVIATE FROM THE REQUIREMENTS DETAILED HEREIN, A LICENSED ENGINEER OR ARCHITECT SHALL PREPARE SITE SPECIFIC DOCUMENTS FOR USE WITH THIS DOCUMENT.
7. THIS MULLION SYSTEM IS SUITABLE FOR ASSEMBLY OF IMPACT RESISTANT PRODUCTS AND DOES NOT REQUIRE AN EXTERNAL IMPACT PROTECTIVE DEVICE IN WINDBORNE DEBRIS REGIONS.



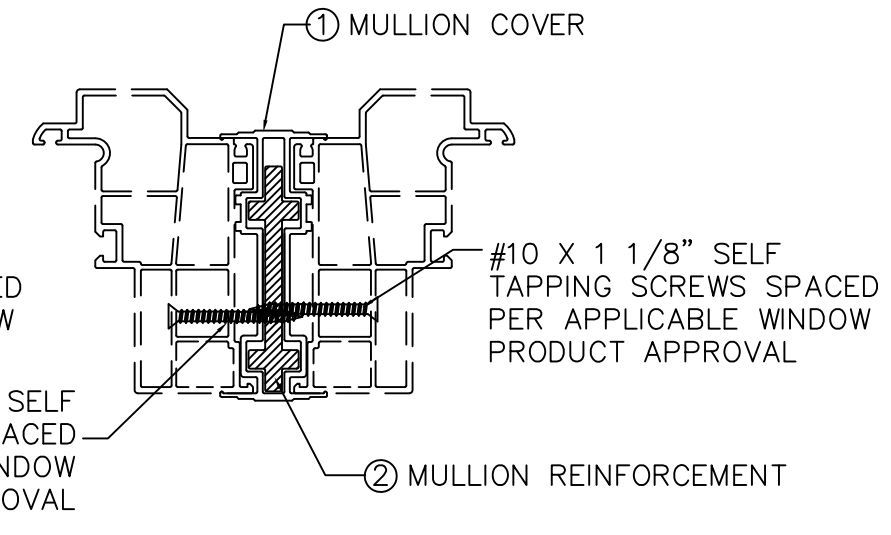
**RETROFIT FRAME MULLION**  
① MEDIUM VINYL MULLION COVER #VPI – 436  
EXTRUDED VINYL .070" MIN.



② MEDIUM MULLION REINFORCEMENT #20634  
ALUMINUM 6063-T6



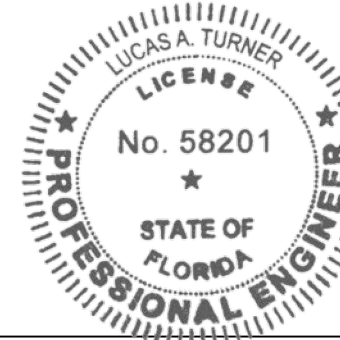
DOUBLE HUNG HORIZONTAL CROSS SECTION



PICTURE (FIXED) HORIZONTAL CROSS SECTION

PARTS LIST			
NUMBER	DESCRIPTION	PART NO	MATERIAL
1	MEDIUM MULLION COVER	VPI-436	PVC
2	MEDIUM MULLION REINFORCEMENT	20634	6063-T6
3	BASE PLATE		STEEL
4	MULLION L-BRACKET		STAINLESS STEEL

TABLE OF CONTENTS	
PAGE NO	DESCRIPTION
1	GENERAL NOTES, PARTS LIST AND CROSS SECTIONS
2	ELEVATION AND DESIGN PRESSURE CHARTS
3	MULLION DETAILS & SILL CROSS SECTIONS



22  
9/28/2020  
LUCAS A. TURNER, P.E. FL PE #58201  
TURNER ENGINEERING & CONSULTING, INC.  
FBPE C.O.A. #29779 Ph. 941-380-1574  
2428 OLD NATCHEZ TRC. TRL, CAMDEN, TN

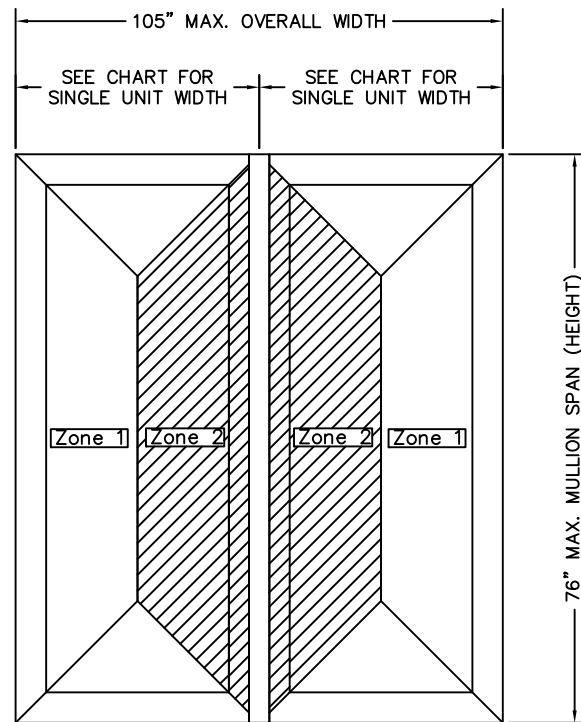
		SIZE: B DRAWN BY: GLS CHECKED BY:	DRAWING NO.: RM0052 DATE: 12/18/08 DATE: 01-24-12	REV.: 6 DATE: 01-24-12
SCALE: FIT	SHEET: 1 of 3	APPR'VD BY: C.P.	DATE:	
SERIES: STORMBREAKER PLUS 300VL MULLION				
TITLE: GENERAL NOTES & CROSS SECTIONS				



1 COCHRANE AVE. PENNSBORO, WV 26415 PH.  
800-426-2249

STORMBREAKER PLUS 300VL SERIES  
MULLIONS WITH MEDIUM ALUMINUM  
REINFORCEMENT – NON-HVHZ  
FOR IMPACT RESISTANT ASSEMBLIES

REV. #	REVISIONS:	REVISED BY:	DATE:
2	REVISED PER 2010 FBC	C.P.	01-24-12
3	UPDATED DESIGN PRESSURE RATINGS CHART PER NEW TESTING.	T.D.D.	06/20/12
4	REVISED PER 5TH ED. (2014) FBC	L.T.	04-25-15
5	UPDATE NOTE 1, SHEET 1, PER 6TH ED. FBC	LMH	10-04-17
6	UPDATE NOTE 1, SHEET 1, PER 7TH ED. FBC	L.T.	9-28-20



DESIGN PRESSURE CHART FOR MULLING  
UNITS IN PSF, MULLION #20634

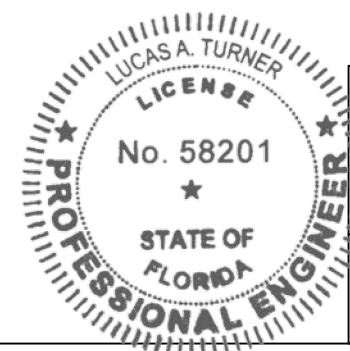
Mullion Length	Individual Unit Width													
	24	28	30	32	34	36	37	40	42	45	48	50	53	
26	50	50	50	50	50	50	50	50	50	50	50	50	50	50
36	50	50	50	50	50	50	50	50	50	50	50	50	50	50
42	50	50	50	50	50	50	50	50	50	50	50	50	50	50
52	50	50	50	50	50	50	50	50	50	50	50	50	50	50
56	50	50	50	50	50	50	50	50	50	50	50	50	50	50
58	50	50	50	50	50	50	50	50	50	50	50	50	50	50
60	50	50	50	50	50	50	50	50	50	45	45	45	45	45
62	50	50	50	50	50	50	45	45	45	40	40	40	40	40
63	50	50	50	50	50	45	45	40	40	40	40	35	35	35
65	50	50	50	45	45	40	40	40	35	35	35	35	30	30
67	50	45	45	40	40	35	35	35	35	30	30	30	30	30
68	50	45	40	40	35	35	35	30	30	30	30	30	30	25
70	45	40	35	35	35	30	30	30	30	25	25	25	25	25
71	45	40	35	35	30	30	30	30	25	25	25	25	25	25
72	40	35	35	30	30	30	30	25	25	25	25	20	20	20
74	40	35	30	30	25	25	25	25	25	20	20	20	20	20
76	35	30	30	25	25	25	25	20	20	20	20	20	20	20

NOTE:

The pressure chart shows the design pressures for the selected mullion span and panel width for achieving bending capacity, deflection and concentrated load limits specified in the Florida Building Code, 7th Edition (2020).

Adhere to fastening instructions provided in this document to achieve the tabulated design pressures.

Multiple mulled conditions are acceptable as long as load width is not exceeded.



22

9/28/2020

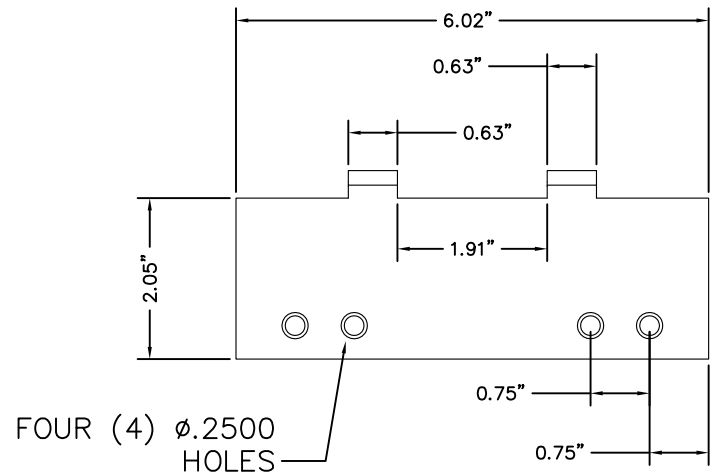
 1 Cochrane Avenue Pennsboro, WV 26415		SIZE: B	DRAWING NO.: RM0052	REV.: 6
		DRAWN BY: GLS	DATE: 12/18/08	CHECKED BY:
SCALE: FIT	SHEET: 2 of 3	APPRVD BY: C.P.	DATE:	
LUCAS A. TURNER, P.E. FL PE #58201 TURNER ENGINEERING & CONSULTING, INC. FBPE C.O.A. #29779 Ph. 941-380-1574 2428 OLD NATCHEZ TRC. TRL, CAMDEN, TN		SERIES: STORMBREAKER PLUS 300VL MULLION TITLE: ELEVATION AND DESIGN PRESSURE CHARTS		



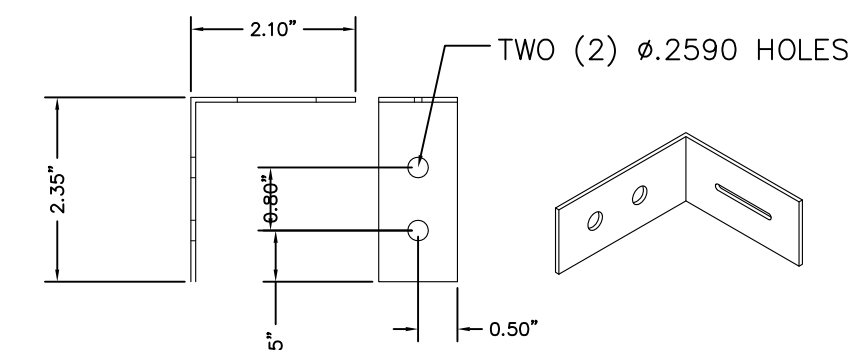
1 COCHRANE AVE. PENNSBORO, WV 26415 PH. 800-426-2249

STORMBREAKER PLUS 300VL SERIES MULLIONS WITH MEDIUM ALUMINUM REINFORCEMENT – NON-HVHZ FOR IMPACT RESISTANT ASSEMBLIES

REV. #	REVISIONS:	REVISED BY:	DATE:
2	REVISED PER 2010 FBC	C.P.	01-24-12
3	UPDATED DESIGN PRESSURE RATINGS CHART PER NEW TESTING.	T.D.D.	06/20/12
4	REVISED PER 5TH ED. (2014) FBC	L.T.	04-25-15
5	UPDATE NOTE 1, SHEET 1, PER 6TH ED. FBC	LMH	10-04-17
6	UPDATE NOTE 1, SHEET 1, PER 7TH ED. FBC	L.T.	9-28-20

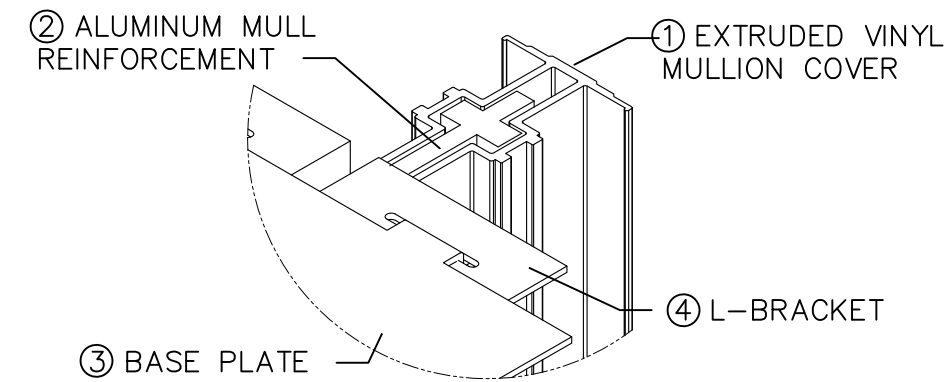


③ REINFORCEMENT BASE PLATE DETAIL  
.060" MIN. STEEL

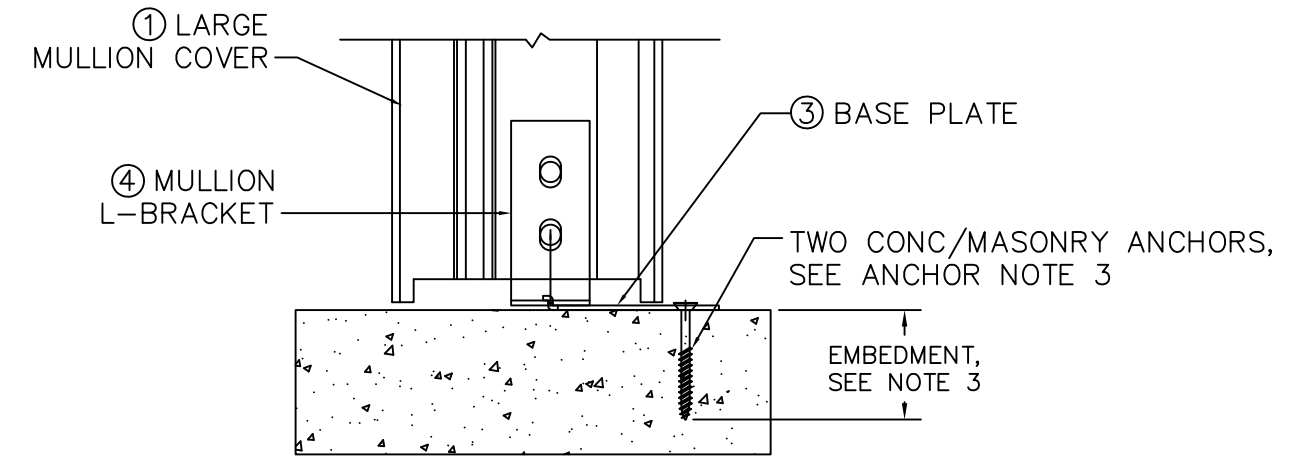


④ MULLION L-BRACKET  
.076" MIN. STAINLESS STEEL

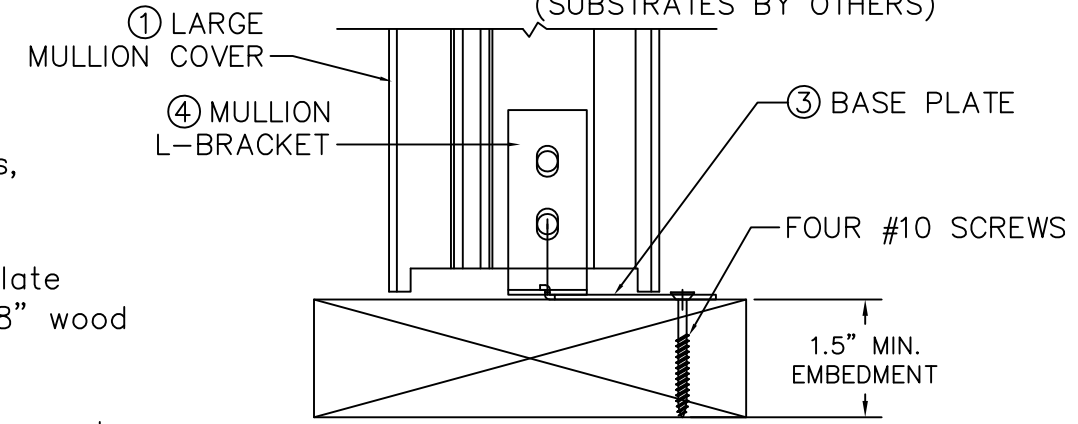
ANCHOR NOTES:  
 1) To achieve the required design pressures, adhere to the fastener requirements below.  
 2) INSTALLATION TO WOOD (G=0.42 MIN): Four (4) #10 wood screws for each base plate with min. 1-1/2" embedment and min. 7/8" wood edge distance.  
 3) INSTALLATION TO CONCRETE/MASONRY: Two (2) screws for each base plate in outermost holes. In grout-filled CMU block (ASTM C-90 Compliant) use 1/4" Elco Ultracons with 1 3/8" min. embed. to block and 1" min. edge dist. with min. 1-1/4" embedment. In solid concrete (2.85 ksi min.) use 3/16" ITW Tapcons or 1/4" Elco Ultracons with 1 3/4" min. embed to concrete, and 1 1/8" min. edge dist.



DETAIL A

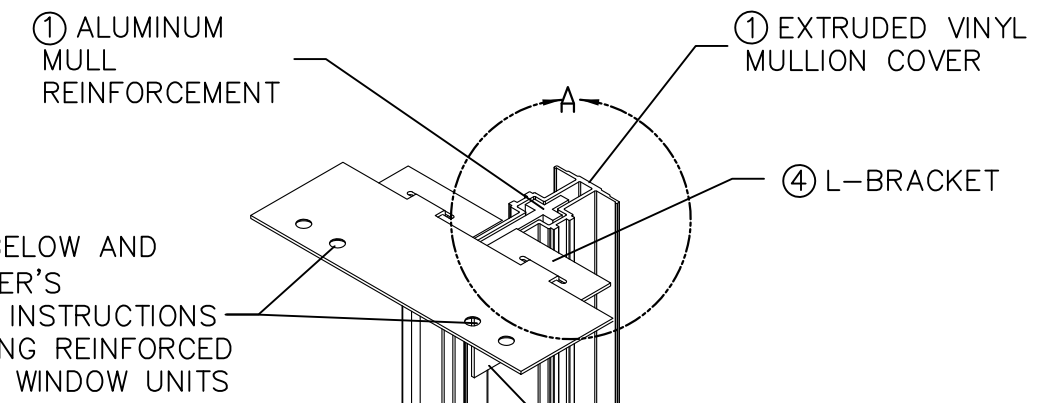


VERTICAL SECTION @ SILL  
MASONRY APPLICATION  
(SUBSTRATES BY OTHERS)



VERTICAL SECTION @ SILL  
WOOD APPLICATION  
(SUBSTRATES BY OTHERS)

TABLE 1 (MULLION ATTACHING HARDWARE)	
RIVET	.25 DIA. STEEL RIVET WITH A GRIP LENGTH OF .50 MAX.
BARREL NUT	#10-24 OR #10-32 STAINLESS STEEL BARREL NUT, .250 O.D. X .25" LG WITH .125 MIN ENGAGEMENT



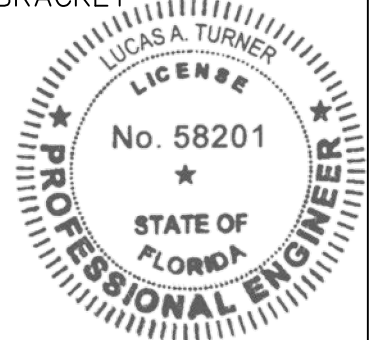
ASSEMBLED MULL AND ATTACHMENT VIEW

SEE NOTES BELOW AND MANUFACTURER'S ATTACHMENT INSTRUCTIONS FOR ATTACHING REINFORCED MULLIONS TO WINDOW UNITS

SEE NOTES BELOW AND MANUFACTURER'S ATTACHMENT INSTRUCTIONS FOR ATTACHING REINFORCED MULLIONS TO WINDOW UNITS

L-BRACKET IS ATTACHED TO VINYL MULL COVER & MULL REINFORCEMENT USING TWO (2) RIVETS OR BARREL NUTS (305 LB MAX SHEAR) 2 ON EACH L-BRACKET REFER TO TABLE 1

PAK-WIK SPACER 1" X 1/2" X 1/4" THK. MAX. (4) REQ. (2) AT TOP AND (2) AT BOTTOM



<p>22</p> <p>9/28/2020</p>	<p>1 Cochrane Avenue Pennsboro, WV 26415</p>		SIZE: DRAWING NO.: B RM0052	REV.: 6
	SCALE: FIT		SHEET: 3 of 3	DATE: 12/18/08
LUCAS A. TURNER, P.E. FL PE #58201 TURNER ENGINEERING & CONSULTING, INC. FBPE C.O.A. #29779 Ph. 941-380-1574 2428 OLD NATCHEZ TRC. TRL, CAMDEN, TN		SERIES: STORMBREAKER PLUS 300VL MULLION TITLE: MULLION DETAILS AND SILL CROSS SECTIONS		