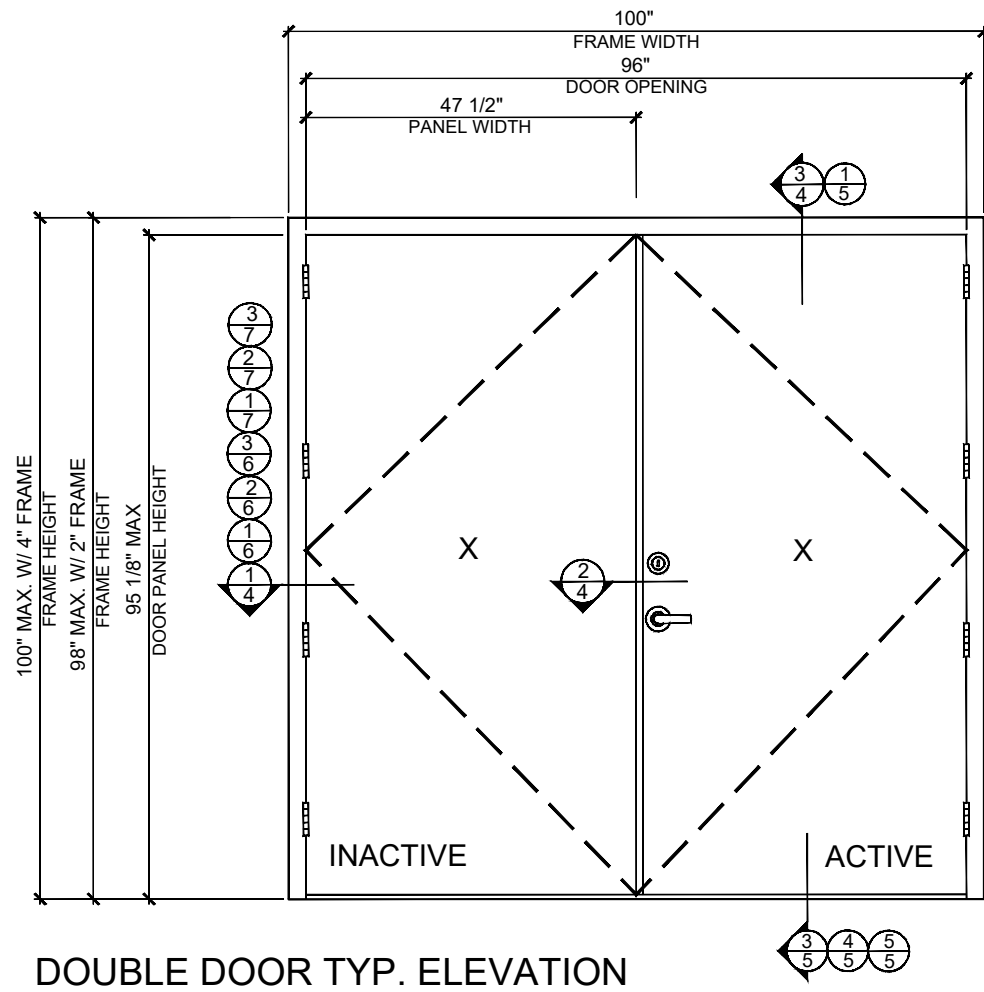


MESKER MBM, LLC.

"N" SERIES COMMERCIAL OUTSWING STEEL OPAQUE DOOR (HVHZ) (IMPACT)



GENERAL NOTES:

- THIS PRODUCT HAS BEEN DESIGNED AND EVALUATED TO COMPLY WITH THE REQUIREMENTS OF THE CURRENT FLORIDA BUILDING CODE: ASTM E1886-13a, ASTM E1996-17, ASTM E330-14, TAS 201-94, TAS 202-94, TAS 203-94, INCLUDING HIGH VELOCITY HURRICANE ZONE (HVHZ).
- DOORS RATED FOR LARGE MISSILE IMPACT (9LB, 50 FPS) AND DO NOT REQUIRE SHUTTERS.
- ANCHORS SHALL BE AS LISTED, SPACED AS SHOWN ON ELEVATIONS / DETAILS. ANCHOR EMBEDMENT TO BASE MATERIAL SHALL BE BEYOND WALL DRESSING OR STUCCO.
- ANCHORING OR LOADING CONDITIONS NOT SHOWN IN THESE DETAILS ARE NOT PART OF THIS APPROVAL.
- MATERIALS INCLUDING BUT NOT LIMITED TO STEEL/METAL SCREWS THAT COME INTO CONTACT WITH OTHER DISSIMILAR MATERIALS SHALL MEET THE REQUIREMENTS.
- METAL STRUCTURES NOT BY MESKER INC. MUST SUPPORT LOADS IMPOSED BY DOOR SYSTEM AND TRANSFER THEM TO THE BUILDING STRUCTURE.
- DOOR PANEL: MIN. 18 GA. (0.042" THK.) STEEL MIN. $F_y = 29$ KSI MIN. DOOR FRAME: MIN. 16 GA. (0.053" THK.) STEEL MIN. $F_y = 42$ KSI MIN.
- DOORS WHICH UTILIZE OUTSWING THRESHOLD QOSH BY DLP (ITEM #78) MEET THE WATER INFILTRATION REQUIREMENTS FOR THE "HVHZ". WATER TEST PRESSURE = $0.15 \times$ POSITIVE DESIGN PRESSURE
- DOOR DOES NOT MEET THE WATER INFILTRATION REQUIREMENTS FOR "HVHZ" AND SHALL BE INSTALLED ONLY IN NON-HABITABLE AREAS OR HABITABLE LOCATIONS PROTECTED BY AN OVERHANG OR CANOPY SUCH THAT THE ANGLE BETWEEN THE EDGE OF CANOPY OR OVERHANG TO SILL IS LESS THAN 45 DEGREES.
- OTHER DOOR PANEL CONFIGURATIONS AVAILABLE PER REQUEST TO MANUFACTURE.

NOTE:

EGRESS REQUIREMENTS TO BE REVIEWED BY BUILDING OFFICIAL.

OVERALL FRAME SIZE		FLUSH BOLT LOCATION		DESIGN PRESSURE (PSF)	
WIDTH	HEIGHT	ACTIVE DOOR	INACTIVE DOOR	POSITIVE	NEGATIVE
100"	100"	NO	YES	+65.0	-65.0

SEE SHEET 12 FOR ADDITIONAL DESIGN PRESSURE REQUIREMENTS DUE TO HARDWARE COMPONENT SELECTION

TABLE OF CONTENTS	
SHEET	SHEET DESCRIPTION
1	TYPICAL ELEVATIONS, DESIGN PRESSURES, & GENERAL NOTES
2	TYPICAL ELEVATIONS & DESIGN PRESSURES
3	DOOR PANEL DETAILS
4	VERTICAL & HORIZONTAL CROSS SECTION
5	VERTICAL & HORIZONTAL CROSS SECTION
6	HORIZONTAL CROSS SECTIONS
7	HORIZONTAL CROSS SECTIONS
8	ANCHORING DETAILS
9	ANCHORING DETAILS
10	ANCHORING DETAILS
11	ANCHORING DETAILS
12	HARDWARE OPTIONS
13	COMPONENTS
14	BILL OF MATERIALS & COMPONENTS



MESKER MBM, LLC
3440 Standwood Blvd.
Huntsville, AL 35811
PH: (256) 851-6670

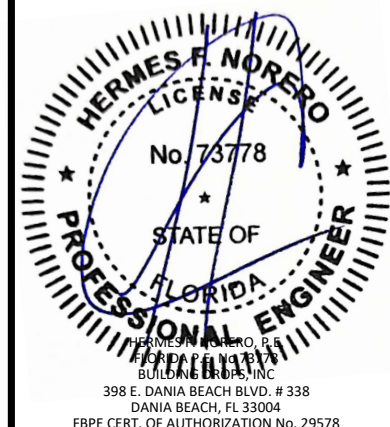
TITLE: "N" SERIES COMMERCIAL OUTSWING STEEL OPAQUE DOOR (HVHZ) (IMPACT)
EVALUATION, DESIGN PRESSURE & GENERAL NOTES

PREPARED BY:
BUILDING DROPS, INC.
398 E. DANIA BEACH BLVD., STE. 338
DANIA BEACH, FL 33004
PH: (954) 399-8478
FAX: (954) 744-4738
WEB: www.buildingdrops.com



REMARKS	BY	DATE
2020 FBC UPDATE	NUS	07/23/20
2023 NAME CHANGE	MG	03/06/23

THE INSTALLATION DETAILS DESCRIBED HEREIN ARE GENERIC AND MAY NOT REFLECT ACTUAL CONDITIONS FOR A SPECIFIC SITE. IF SITE CONDITIONS CAUSE INSTALLATION TO DEVIATE FROM THE REQUIREMENTS DETAILED HEREIN, A LICENSED ENGINEER OR ARCHITECT SHALL PREPARE SITE SPECIFIC DOCUMENTS FOR USE WITH THIS DOCUMENT.



FL #:

FL15542

DATE: **06/03/16**

DWG. BY: **LS** CHK. BY: **HFN**

SCALE: **NTS**

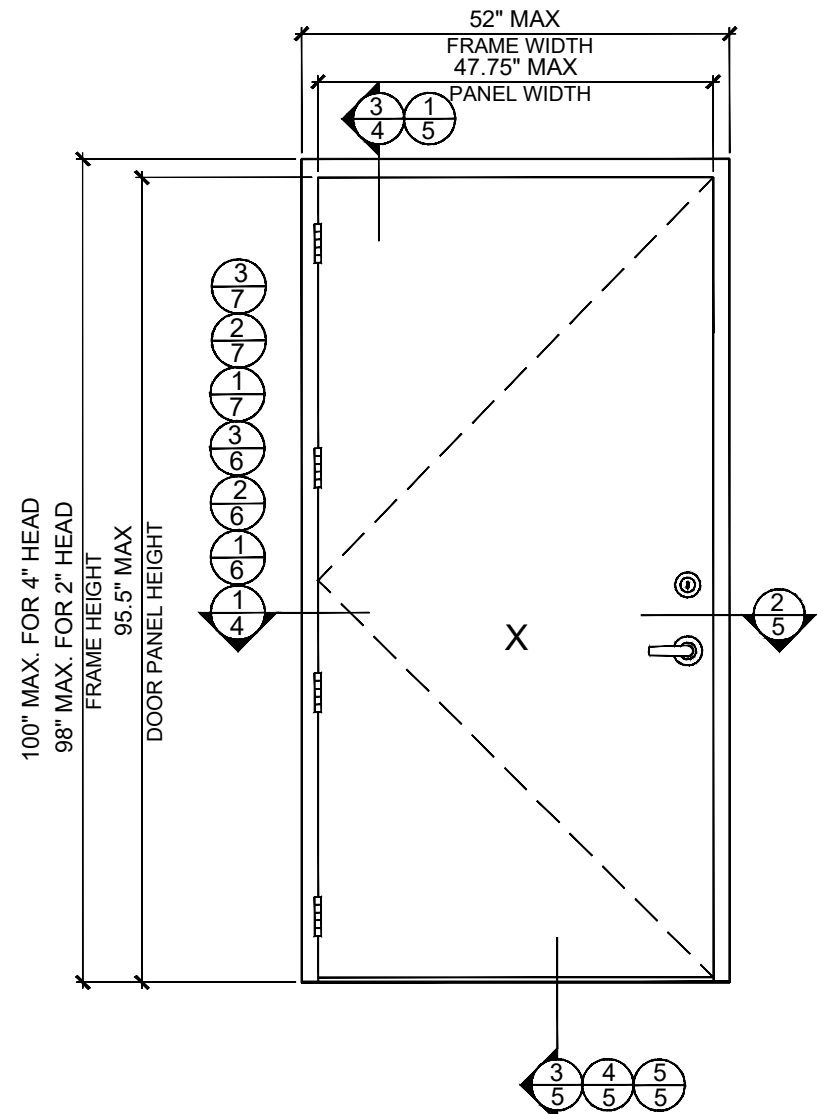
DWG. #: **MDI004**

SHEET:

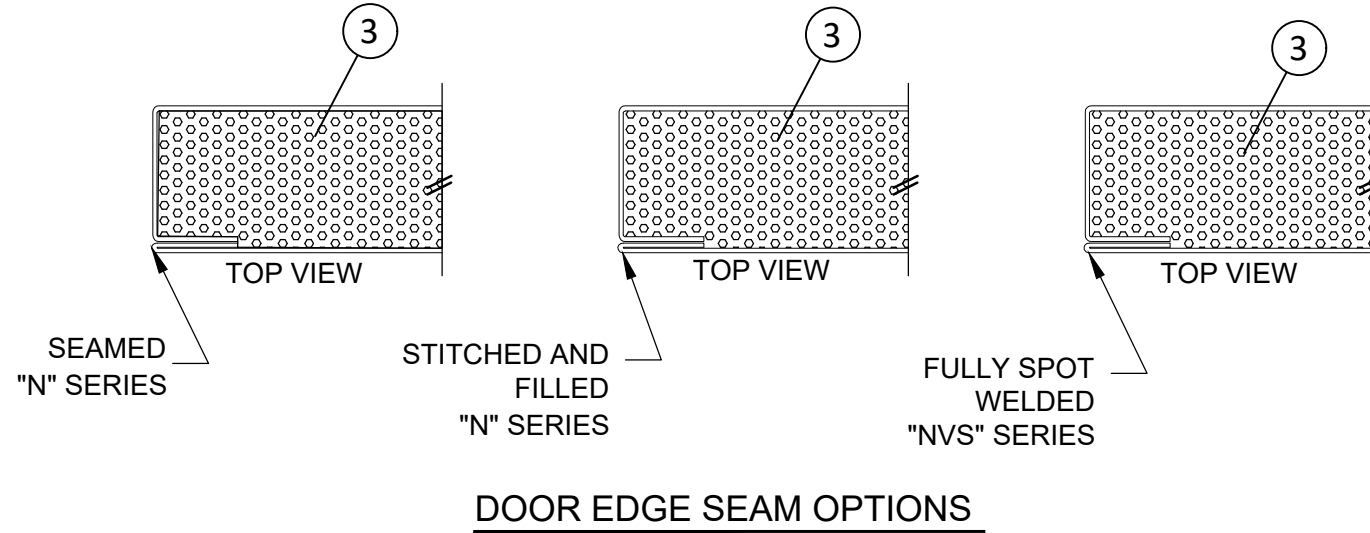
1

OF 14

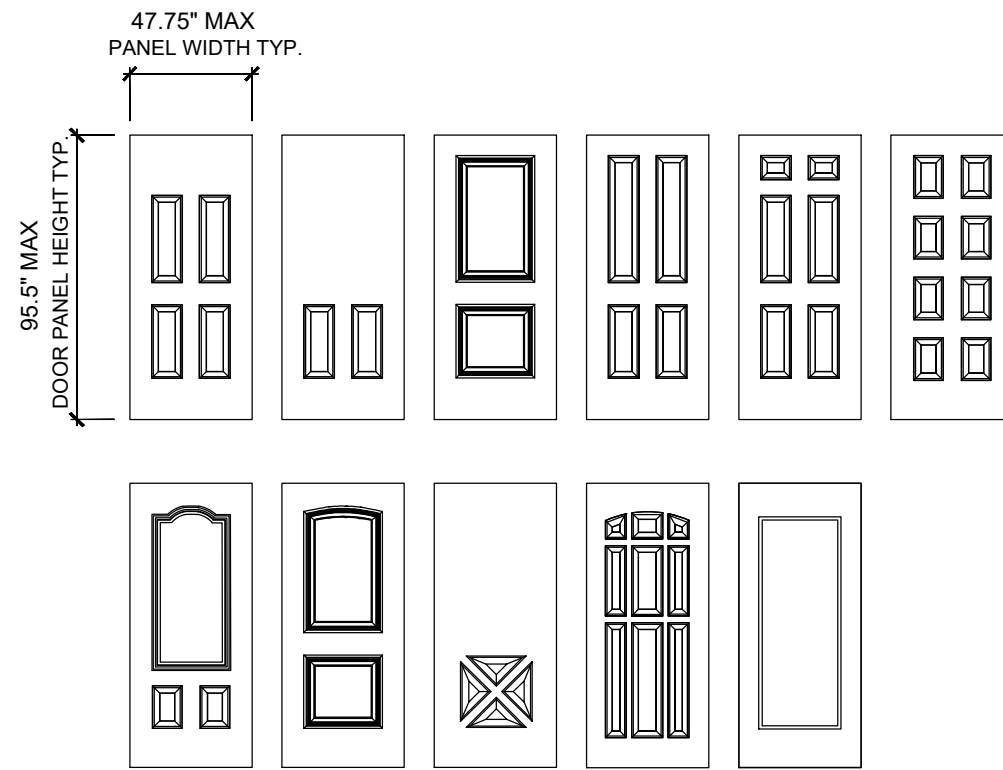
3/31/2023 1:29 PM
z:\projects\mesker.mbm, llc\bc-23-0112 - fbc submittal - commercial steel doors revisions\dwg\fl15542\mdi004.dwg



SINGLE DOOR TYP. ELEVATION

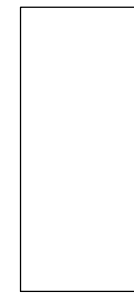


DOOR EDGE SEAM OPTIONS



OPTIONAL PARTIAL EMBOSSED DOOR LEAF PATTERNS

(MIN. Fy = 42 KSI, MIN Fu = 51.5 KSI)



FLUSH DOOR

(MIN. Fy = 42 KSI, MIN Fu = 51.5 KSI)

SERIES	OVERALL FRAME SIZE		DESIGN PRESSURE (PSF)	
	WIDTH	HEIGHT	POSITIVE	NEGATIVE
NVS	52"	100"	+75.0	-75.0
N	52"	100"	+65.0	-65.0

SEE SHEET 12 FOR ADDITIONAL DESIGN PRESSURE REQUIREMENTS DUE TO HARDWARE COMPONENT SELECTION

TITLE: "N" SERIES COMMERCIAL OUTSWING STEEL OPAQUE DOOR (HVHZ) (IMPACT)
EVALUATION & DESIGN PRESSURE

PREPARED BY: BUILDING DROPS, INC.
398 E. DANIA BEACH BLVD., STE. 338
DANIA BEACH, FL 33004
PH: (954)399-8478
FAX: (954)744-4738
WEB: www.buildingdrops.com

REMARKS	BY	DATE
2020 FBC UPDATE	NUS	07/23/20
2023 NAME CHANGE	MG	03/06/23

THE INSTALLATION DETAILS DESCRIBED HEREIN ARE GENERIC AND MAY NOT REFLECT ACTUAL CONDITIONS FOR A SPECIFIC SITE. IF SITE CONDITIONS CAUSE INSTALLATION TO DEVIATE FROM THE REQUIREMENTS DETAILED HEREIN, A LICENSED ENGINEER OR ARCHITECT SHALL PREPARE SITE SPECIFIC DOCUMENTS FOR USE WITH THIS DOCUMENT.

HERMES F. NORERO
LICENSE
No. 73778
STATE OF FLORIDA
PROFESSIONAL ENGINEER
HERMES F. NORERO, P.E.
BUILDING DROPS, INC.
398 E. DANIA BEACH BLVD. # 338
DANIA BEACH, FL 33004
FBPE CERT. OF AUTHORIZATION No. 29578

FL #:
FL15542

DATE: **06/03/16**

DWG. BY: **LS** CHK. BY: **HFN**

SCALE: **NTS**

DWG. #: **MDI004**

SHEET:
2
OF 14

z:\projects\mesker.mbm, llc\fbc-23-0112 - fbc submittal - commercial steel doors revisions\dwg\fb15542\mdi004.dwg 3/31/2023 1:28 PM



MESKER MBM, LLC
3440 Standwood Blvd.
Huntsville, AL 35811
PH: (256) 851-6670

TITLE: "N" SERIES COMMERCIAL OUTSWING STEEL OPAQUE DOOR (HVHZ) (IMPACT)
DOOR PANEL DETAILS

PREPARED BY:
BUILDING DROPS, INC.
398 E. DANIA BEACH BLVD., STE. 338
DANIA BEACH, FL 33004
PH: (954)399-8478
FAX: (954)744-4738
WEB: www.buildingdrops.com



REMARKS	BY	DATE
2020 FBC UPDATE	NUS	07/23/20
2023 NAME CHANGE	MG	03/06/23

THE INSTALLATION DETAILS DESCRIBED HEREIN ARE GENERIC AND MAY NOT REFLECT ACTUAL CONDITIONS FOR A SPECIFIC SITE. IF SITE CONDITIONS CAUSE INSTALLATION TO DEVIATE FROM THE REQUIREMENTS DETAILED HEREIN, A LICENSED ENGINEER OR ARCHITECT SHALL PREPARE SITE SPECIFIC DOCUMENTS FOR USE WITH THIS DOCUMENT.



FL #: **FL15542**

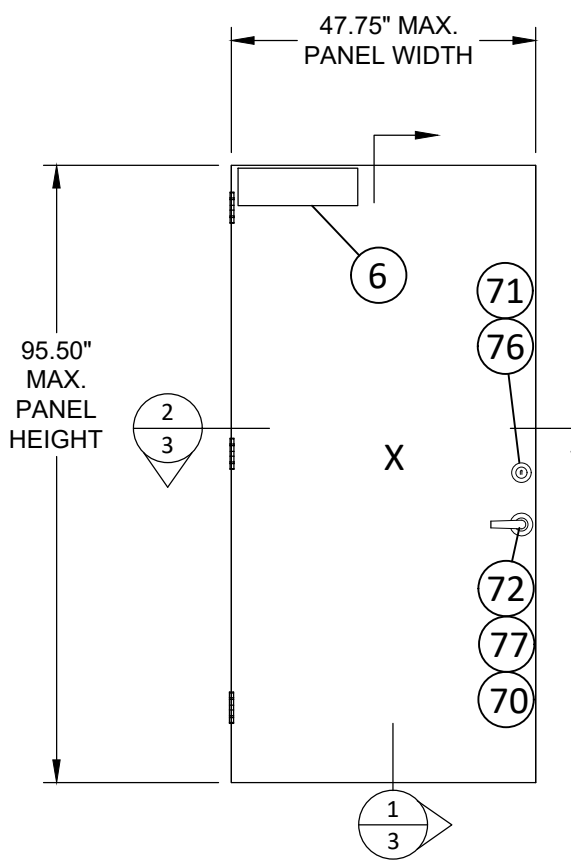
DATE: **06/03/16**

DWG. BY: **LS** CHK. BY: **HFN**

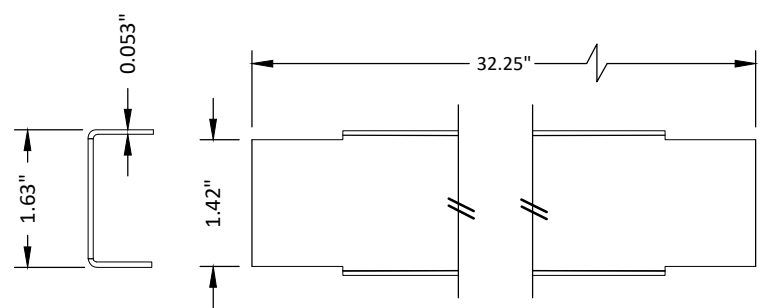
SCALE: **NTS**

DWG. #: **MDI004**

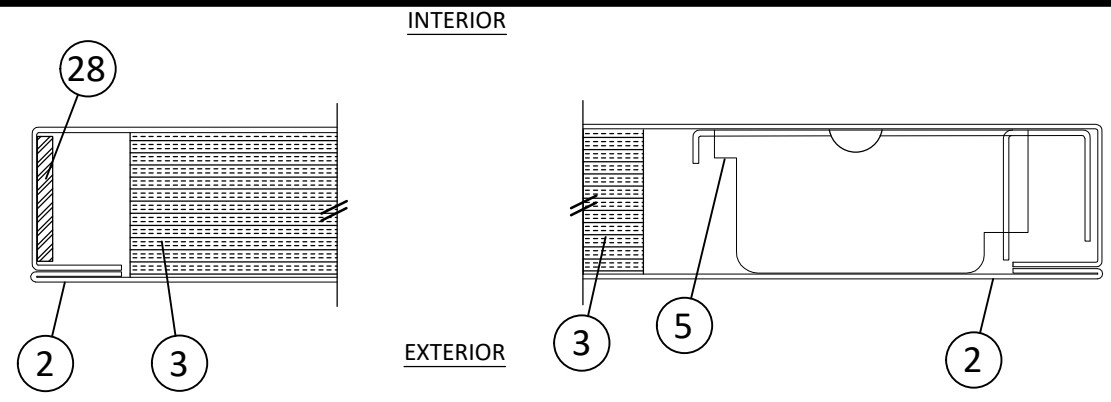
SHEET: **3**
OF 14



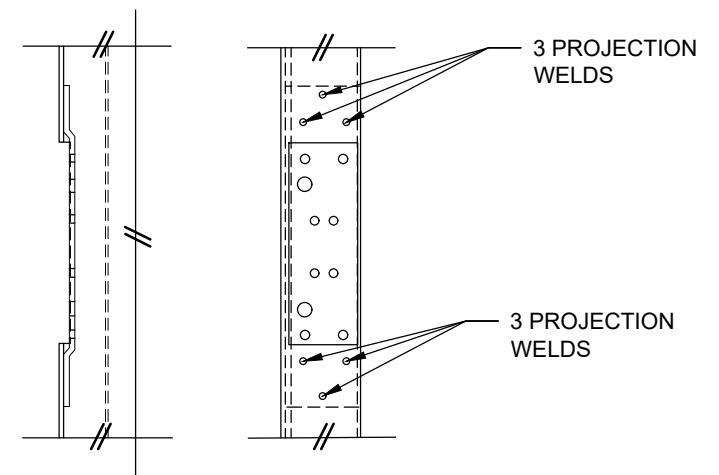
1 "N" OPAQUE STEEL DOOR PANEL



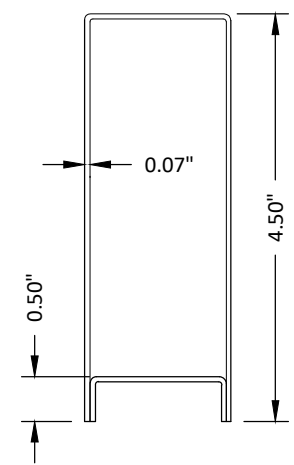
4 DOOR TOP & BOTTOM CLOSER



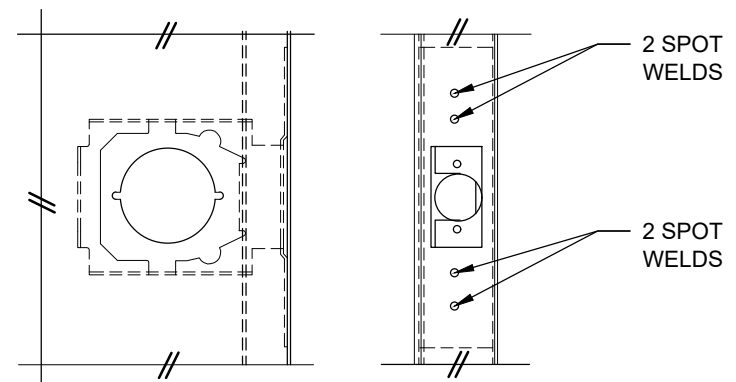
2 HORIZONTAL CROSS SECTION
3 DOOR PANEL



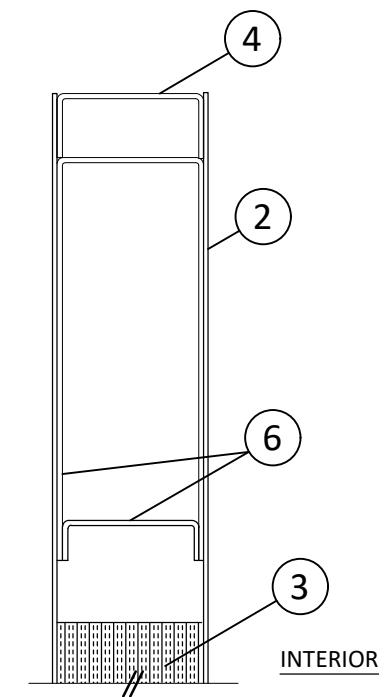
23 DOOR HINGE REINFORCEMENT



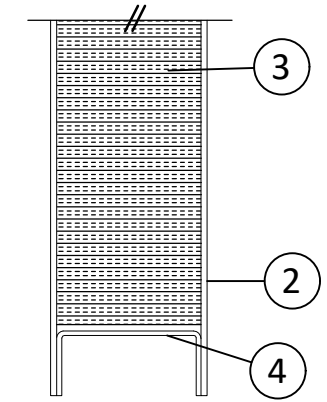
6 CLOSER REINFORCEMENT



5 LOCK BOX REINFORCEMENT



1 VERTICAL CROSS SECTION
3 DOOR PANEL



TYPICAL ANCHORS @ HEAD/JAMB: (REFER TO ELEVATION FOR SPACING)

- TYPE A** 3/8" DIA. DYNABOLT SLEEVE ANCHOR BY "ITW"
DIRECTLY INTO $f_c'=3000$ PSI CONCRETE, 1-1/2" MIN. EMBED
DIRECTLY INTO GROUT FILLED CONCRETE BLOCK, 1-1/2" MIN. EMBED
MIN. EDGE DIST 2-1/2"
MIN. SPACING 4-1/2"
- TYPE B** 3/8" POWER-BOLT BY "POWERS"
DIRECTLY INTO $f_c'=3000$ PSI CONCRETE, 2" MIN. EMBED
DIRECTLY INTO GROUT FILLED/HOLLOW CONCRETE BLOCK, 1-1/4" MIN. EMBED
MIN. EDGE DIST 3-3/4"
MIN. SPACING 4-1/2"
- TYPE C** 5/16" DIA. SMS OR MACHINE BOLTS (MIN. GRADE 5 CRS) OR ST/ST
STEEL : $F_y = 36$ KSI MIN.
INTO METAL STRUCTURES (STEEL OR ALUMINUM 1/8" MIN. THICK.)
ALUMINUM : 6063-T6 MIN.
(STEEL IN CONTACT WITH ALUMINUM TO BE PLATED OR PAINTED)

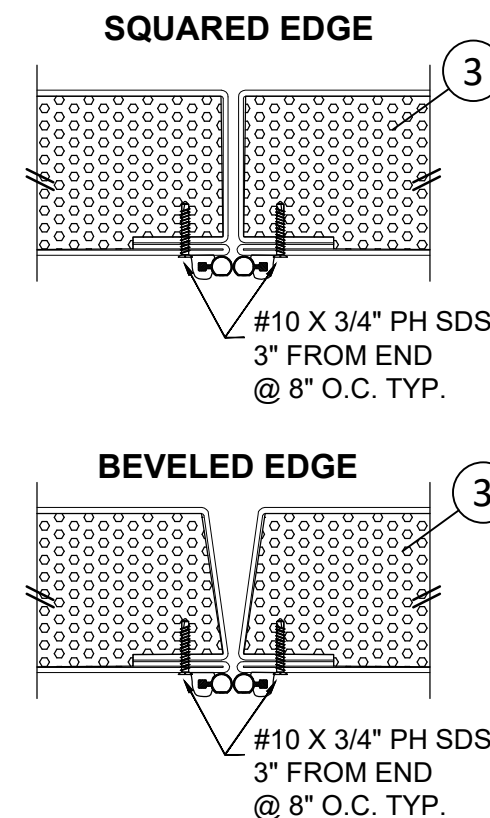
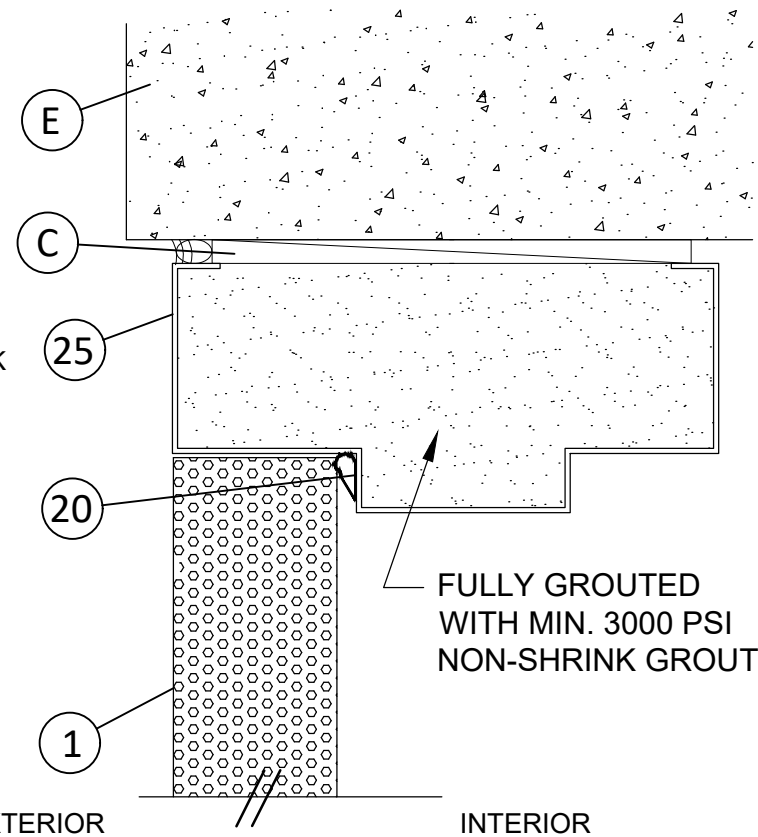
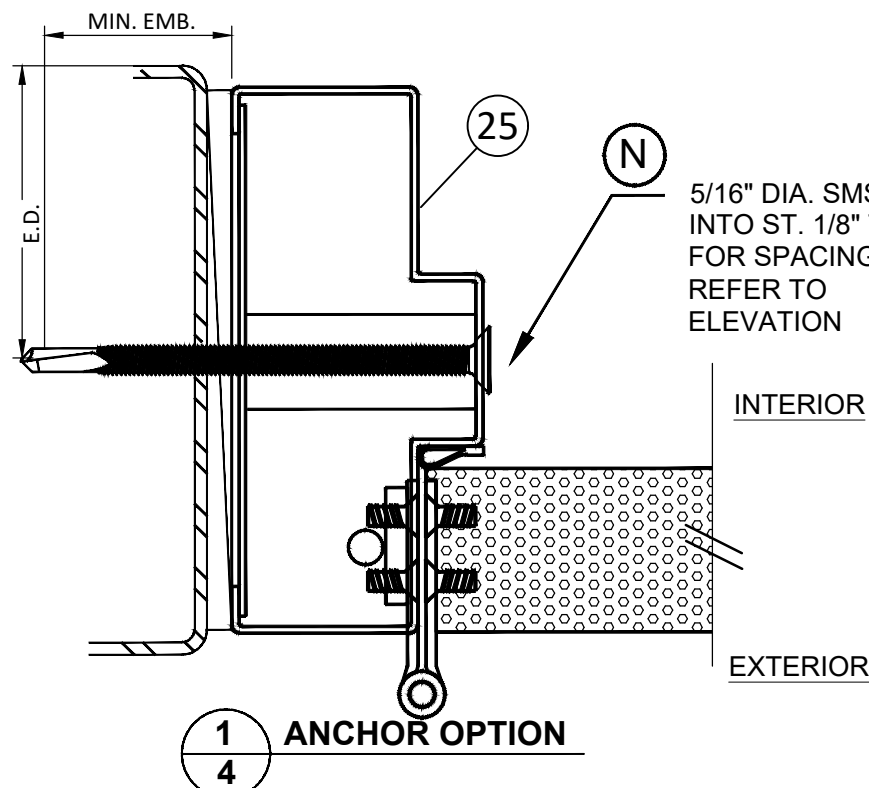
TYPICAL ANCHORS @ THRESHOLD: (REFER TO ELEVATION FOR SPACING)

- TYPE D** 1/4" TAPCON BY "ITW" DIRECTLY INTO $f_c'=3000$ PSI CONCRETE
1-1/4" MIN. EMBED
MIN. EDGE DIST 2-1/2"
MIN. SPACING 3"
- TYPE E** 5/16" DIA. ULTRACONS BY "ELCO" DIRECTLY INTO $f_c'=3000$ PSI CONCRETE
1-3/4" MIN. EMBED
MIN. EDGE DIST 2-3/16"
MIN. SPACING 3"

SEALANT:

ALL FRAME JOINTS AND CORNERS TO BE SEALED WITH SILICONE AT PERIMETER

- TYPE F** 3/8" DIA. HLC SLEEVE ANCHOR BY "HILTI"
DIRECTLY INTO $f_c'=3000$ PSI CONCRETE
MIN. EMBED. 1-3/8"
MIN. EDGE DIST 3-1/4"
MIN. SPACING 4-1/2"
- TYPE F1** 3/8" DIA. HLC SLEEVE ANCHOR BY "HILTI"
DIRECTLY INTO GROUT FILLED/HOLLOW CONCRETE BLOCK
MIN. EMBED. 1-3/8"
MIN. EDGE DIST 3-1/2"
MIN. SPACING 4-1/2"
- TYPE G** 3/8" DIA. LOK BOLT BY "POWERS"
DIRECTLY INTO $f_c'=3000$ PSI CONCRETE
MIN. EMBED. 1-5/8"
MIN. EDGE DIST 3-3/4"
MIN. SPACING 4-1/2"
- TYPE G1** 3/8" DIA. LOK BOLT BY "POWERS"
DIRECTLY INTO GROUT FILLED/HOLLOW CONCRETE BLOCK
MIN. EMBED. 1-1/2"
MIN. EDGE DIST 3-3/4"
MIN. SPACING 4-1/2"



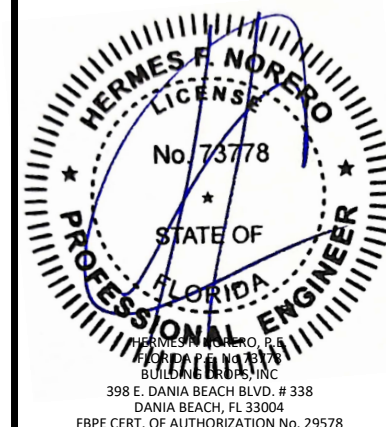
MESKER MBM, LLC
3440 Standwood Blvd.
Huntsville, AL 35811
PH: (256) 851-6670

TITLE: "N" SERIES COMMERCIAL OUTSWING
STEEL OPAQUE DOOR
(HVHZ) (IMPACT)
VERTICAL & HORIZONTAL
SECTIONS

PREPARED BY:
B.D.
BUILDING DROPS
398 E. DANIA BEACH BLVD., STE. 338
DANIA BEACH, FL 33004
PH: (954) 399-8478
FAX: (954) 744-4738
WEB: www.buildingdrops.com

REMARKS	BY	DATE
2020 FBC UPDATE	NUS	07/23/20
2023 NAME CHANGE	MG	03/06/23

THE INSTALLATION DETAILS DESCRIBED HEREIN ARE GENERIC AND MAY NOT REFLECT ACTUAL CONDITIONS FOR A SPECIFIC SITE. IF SITE CONDITIONS CAUSE INSTALLATION TO DEVIATE FROM THE REQUIREMENTS DETAILED HEREIN, A LICENSED ENGINEER OR ARCHITECT SHALL PREPARE SITE SPECIFIC DOCUMENTS FOR USE WITH THIS DOCUMENT.



FL #:

FL15542

DATE: 06/03/16

DWG. BY: LS	CHK. BY: HFN
----------------	-----------------

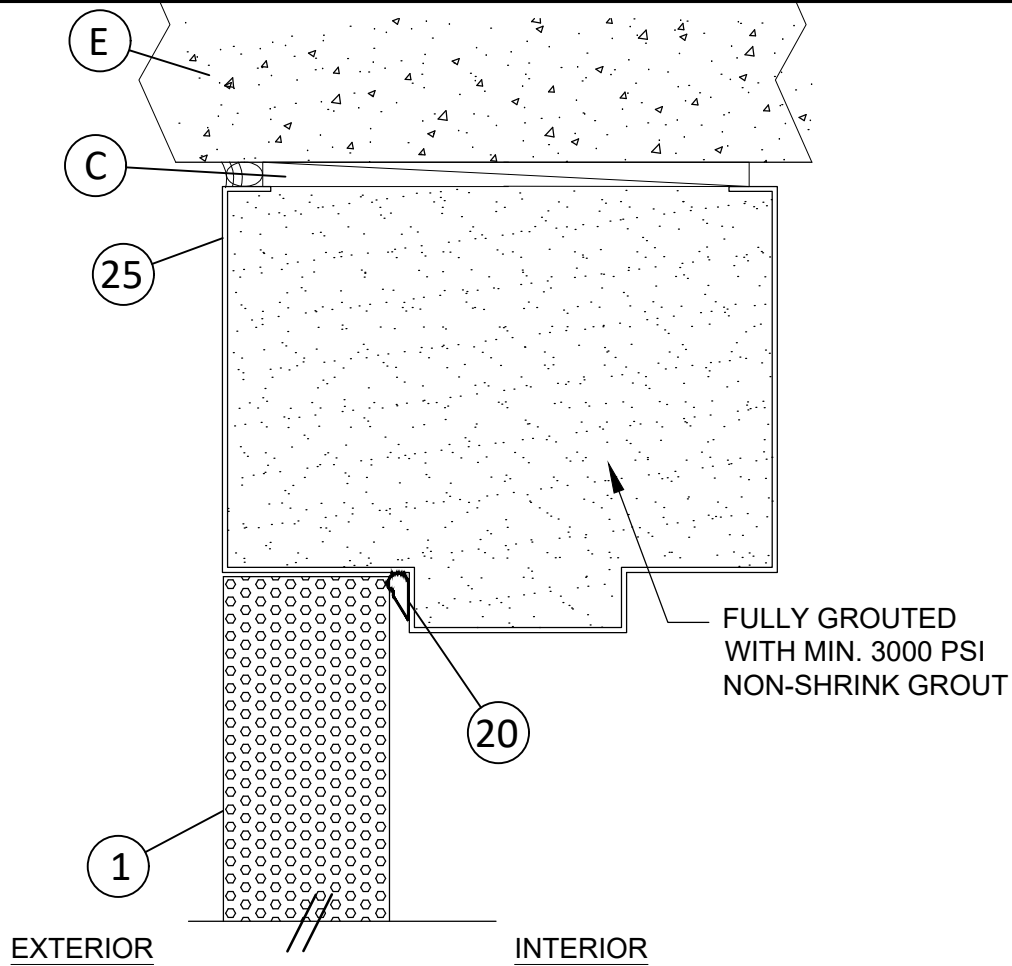
SCALE: NTS

DWG. #: MDI004

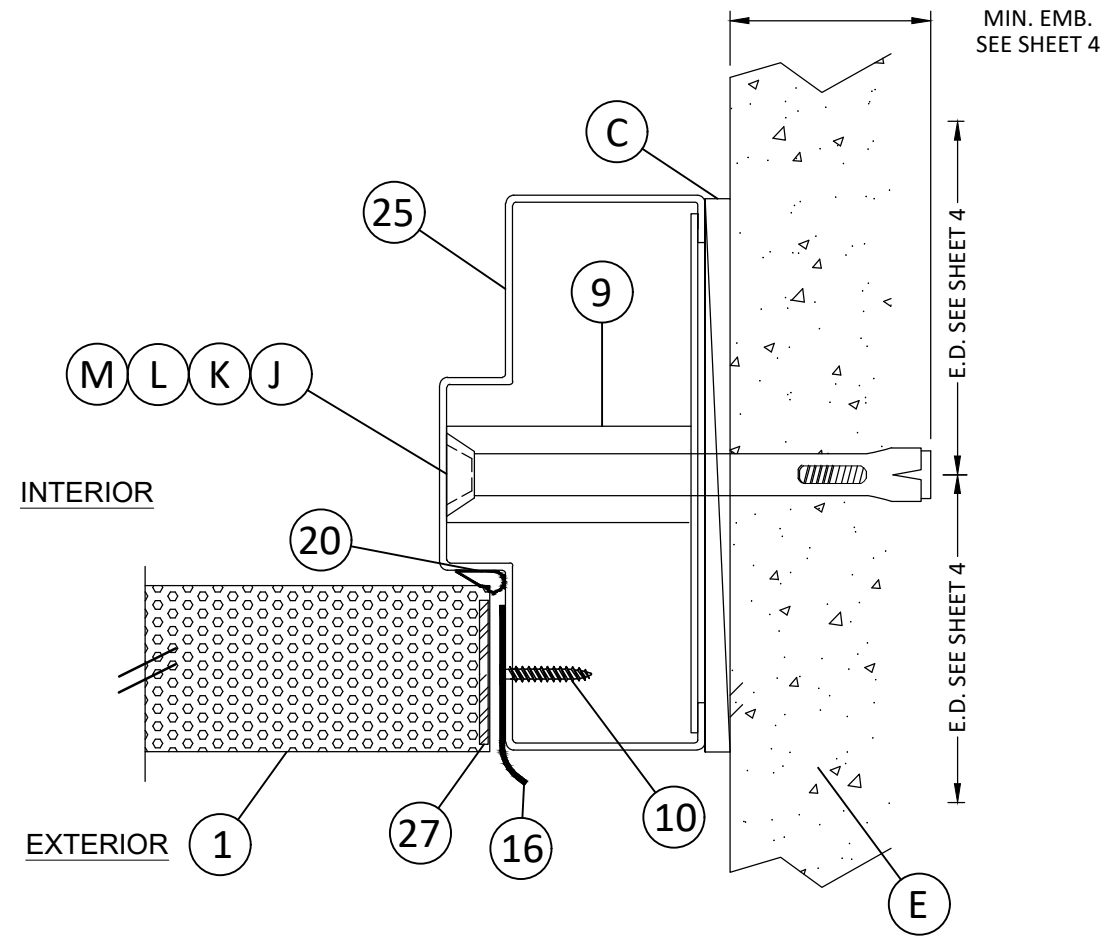
SHEET:

4

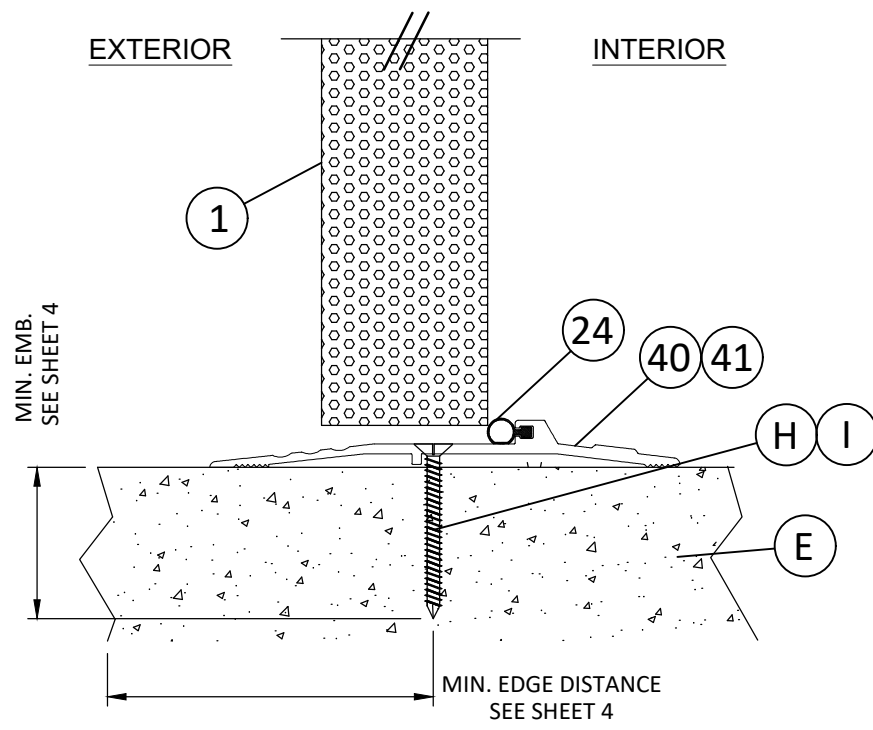
3/31/2023 1:30 PM
 z:\projects\mesker.mbm, llc\fb-23-0112 - fbc submittal - commercial steel doors revisions\dwgs\115542\mdi004.dwg



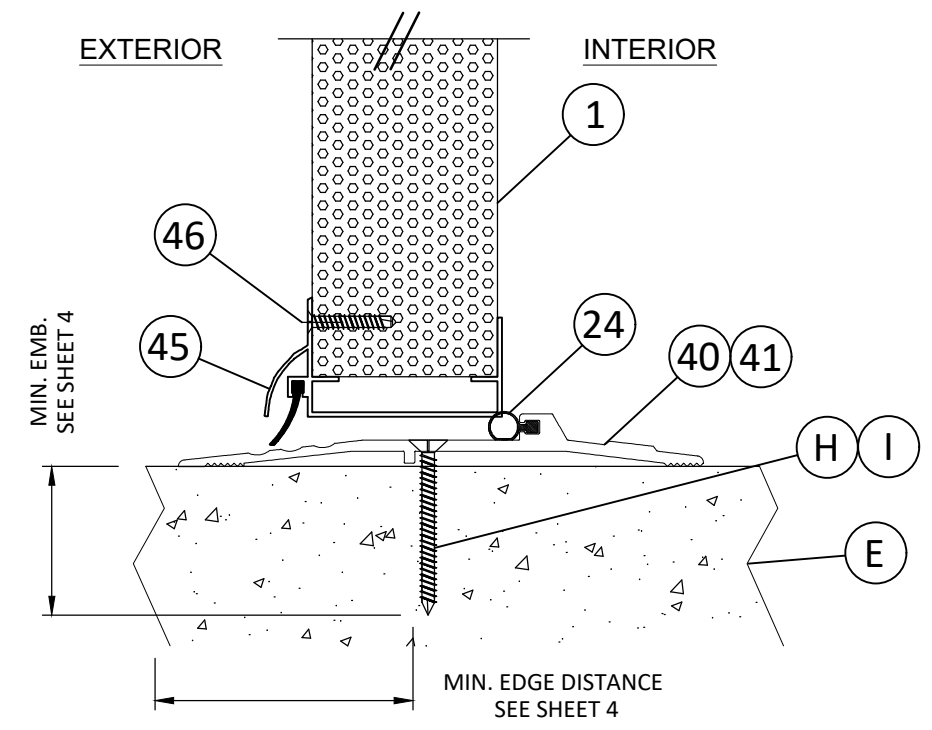
1
5 VERTICAL CROSS SECTION
 W/ 4" HEAD



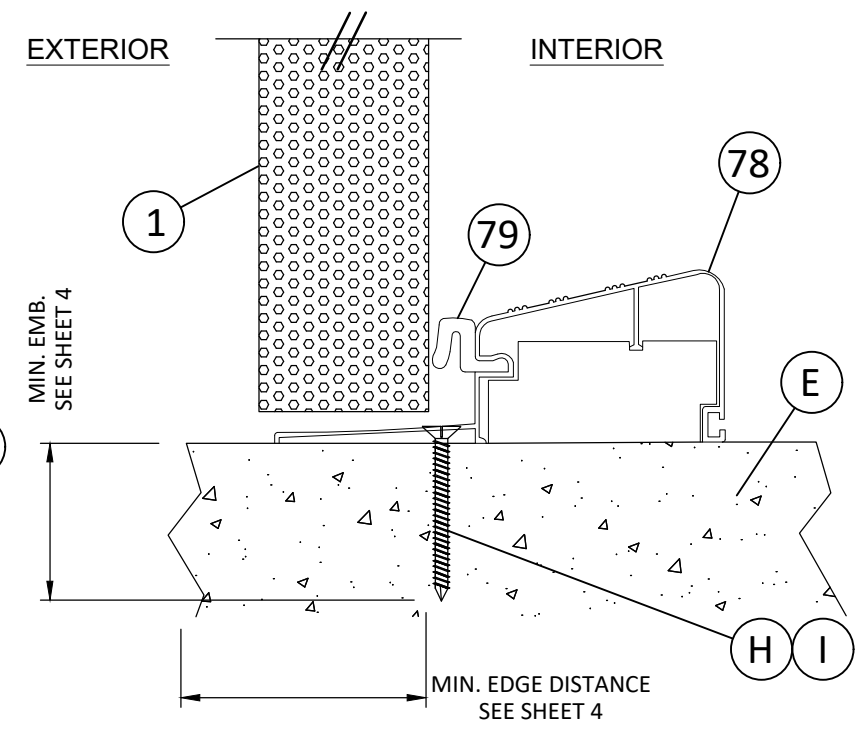
2
5 HORIZONTAL CROSS SECTION



3
5 VERTICAL CROSS SECTION



4
5 VERTICAL CROSS SECTION



5
5 VERTICAL CROSS SECTION
 WATER RATED THRESHOLD



MESKER MBM, LLC
 3440 Standwood Blvd.
 Huntsville, AL 35811
 PH: (256) 851-6670

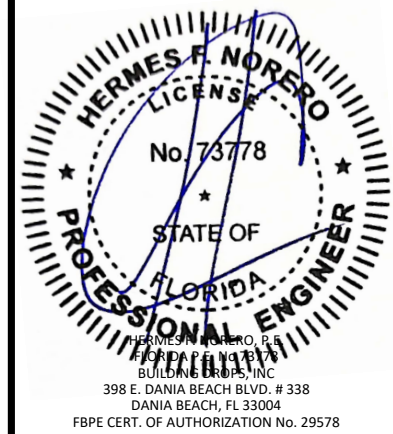
TITLE: "N" SERIES COMMERCIAL OUTSWING STEEL OPAQUE DOOR (HVHZ) (IMPACT) VERTICAL & HORIZONTAL SECTIONS

PREPARED BY: BUILDING DROPS, INC.
 398 E. DANIA BEACH BLVD., STE. 338
 DANIA BEACH, FL 33004
 PH: (954) 399-8478
 FAX: (954) 474-4738
 WEB: www.buildingdrops.com



REMARKS	BY	DATE
2020 FBC UPDATE	NUS	07/23/20
2023 NAME CHANGE	MG	03/06/23

THE INSTALLATION DETAILS DESCRIBED HEREIN ARE GENERIC AND MAY NOT REFLECT ACTUAL CONDITIONS FOR A SPECIFIC SITE. IF SITE CONDITIONS CAUSE INSTALLATION TO DEVIATE FROM THE REQUIREMENTS DETAILED HEREIN, A LICENSED ENGINEER OR ARCHITECT SHALL PREPARE SITE SPECIFIC DOCUMENTS FOR USE WITH THIS DOCUMENT.



FL #:	FL15542
DATE:	06/03/16
DWG. BY:	LS
CHK. BY:	HFN
SCALE:	NTS
DWG. #:	MDI004

SHEET: **5**
 OF 14

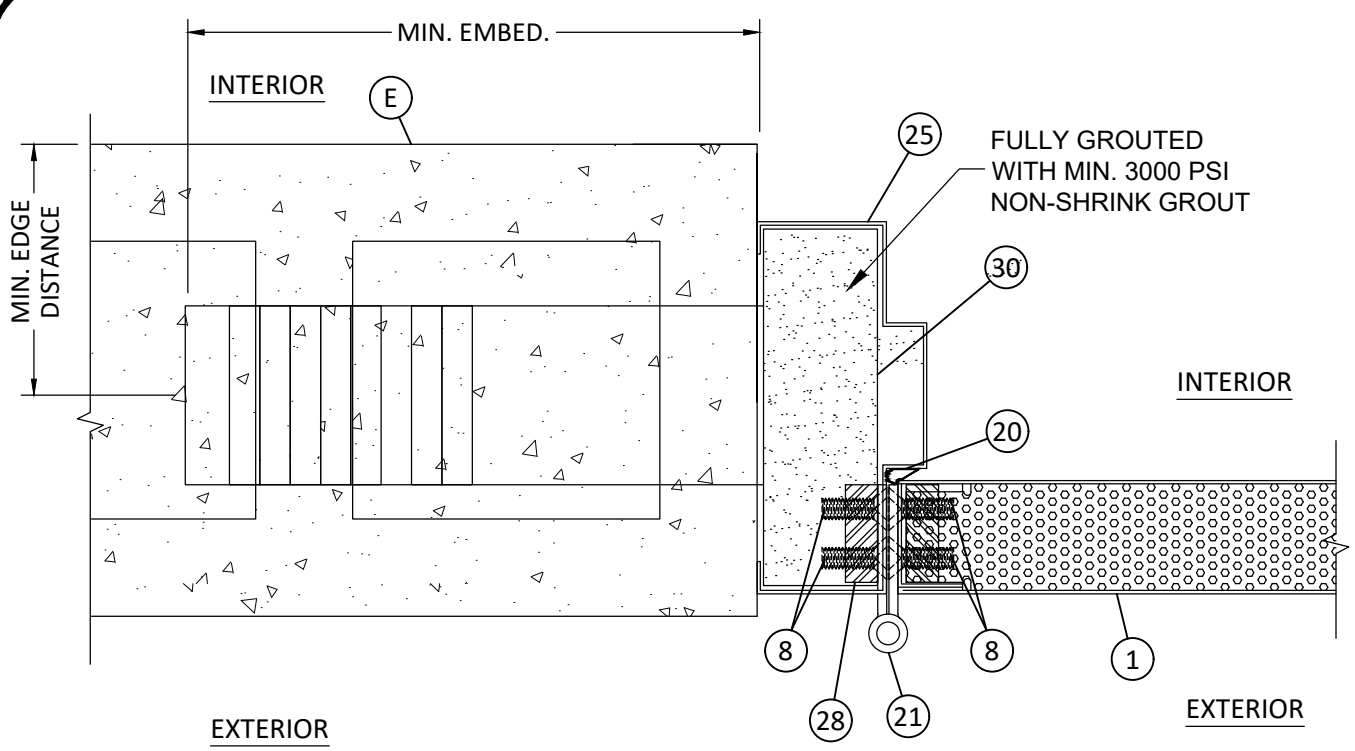
3/31/2023 1:28 PM
z:\projects\mesker.mbm, llc\fbc-23-0112 - fbc submittal - commercial steel doors revisions\dwg\fb15542\mdi004.dwg



MESKER MBM, LLC
3440 Standwood Blvd.
Huntsville, AL 35811
PH: (256) 851-6670

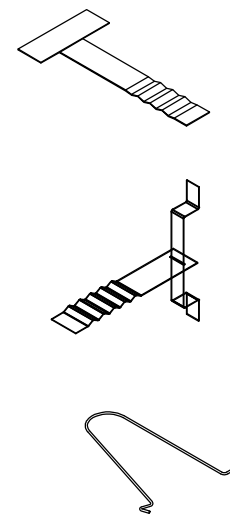
TITLE: "N" SERIES COMMERCIAL OUTSWING STEEL OPAQUE DOOR (HVHZ) (IMPACT)
HORIZONTAL SECTIONS

PREPARED BY:
BUILDING DROPS, INC.
398 E. DANIA BEACH BLVD., STE. 338
DANIA BEACH, FL 33004
PH: (954)399-8478
FAX: (954)744-4738
WEB: www.buildingdrops.com



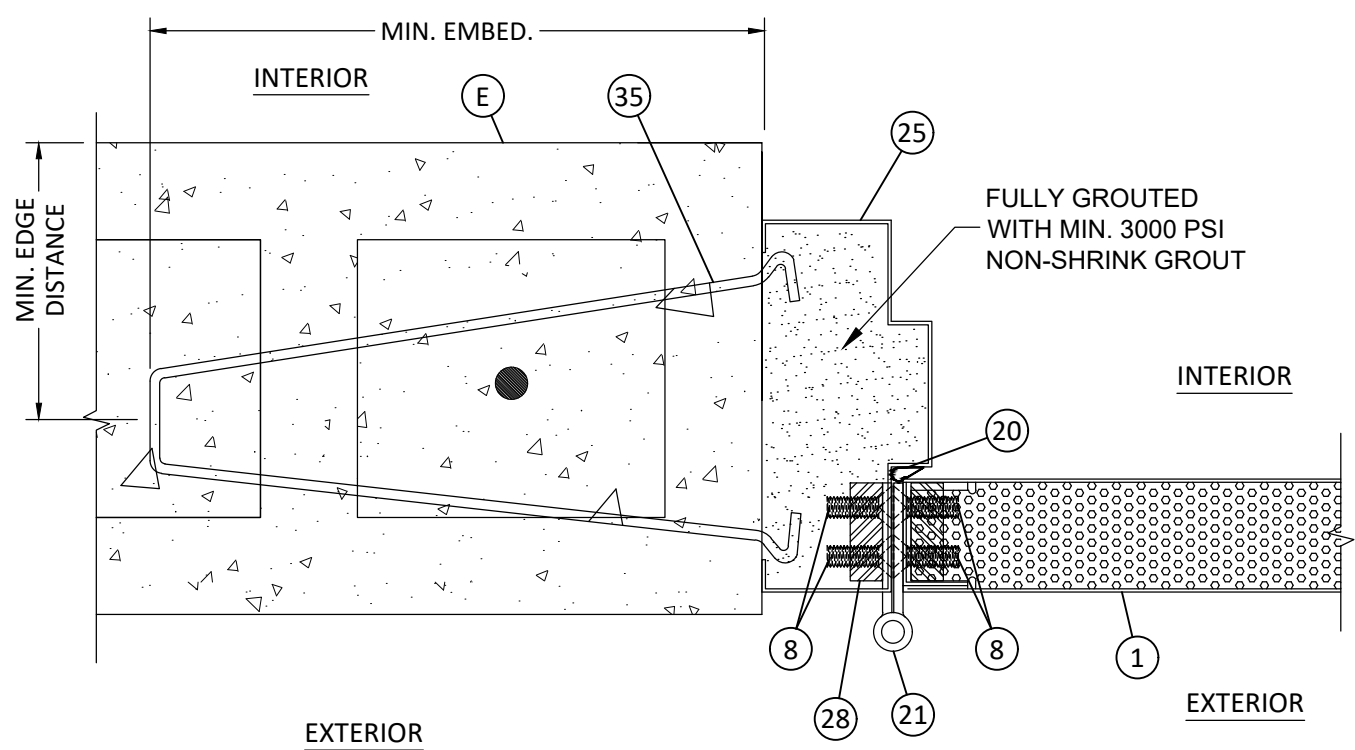
2 HORIZONTAL CROSS SECTION
6 STRAP ANCHOR (PF-2)

TYPICAL ANCHORS @ JAMB: (REFER TO ELEVATION FOR SPACING)

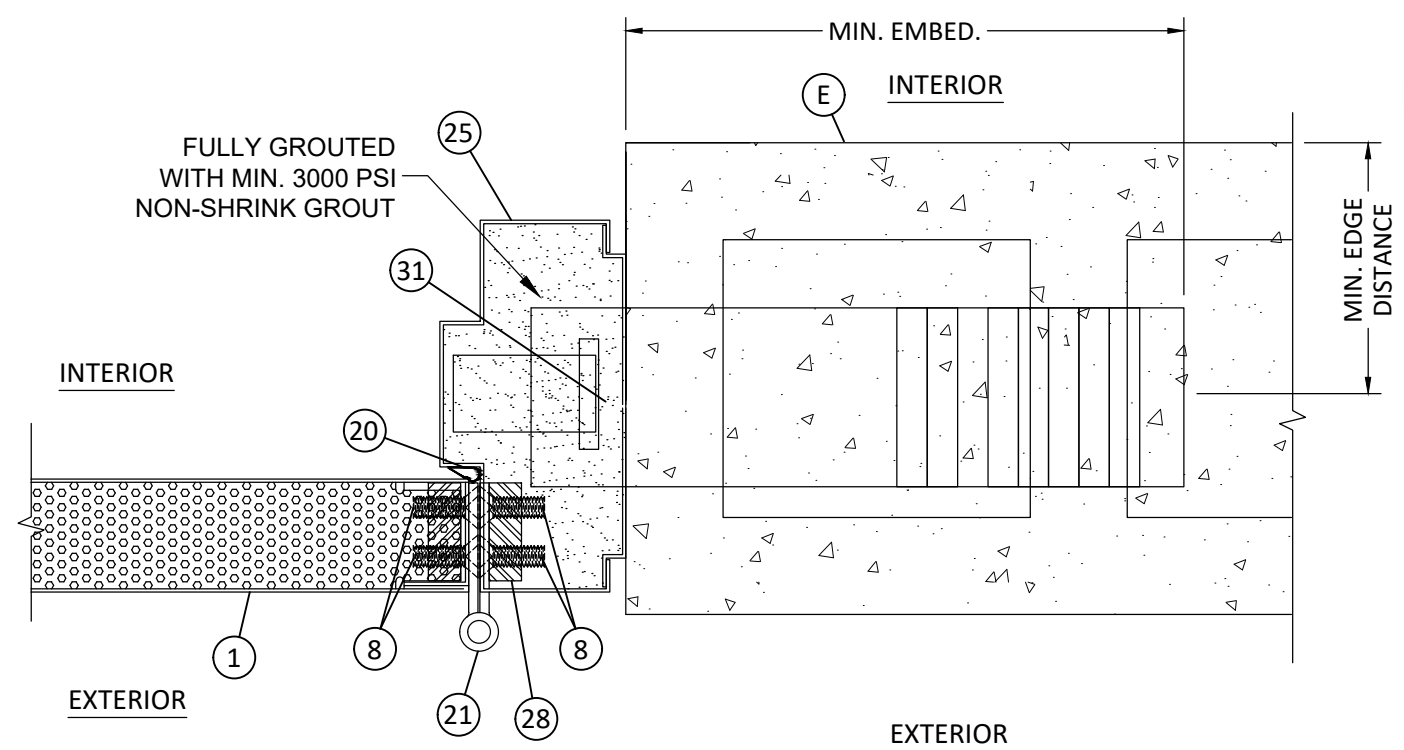


- TYPE I** (30) STRAP ANCHOR (PF-2) (Fy=60 KSI) MIN.
DIRECTLY INTO fc'=3000 PSI GROUT FILLED CONCRETE BLOCK
6" MIN. EMBEDMENT, 2 1/2 " MIN. EDGE DISTANCE, 8" MIN. SPACING
- TYPE J** (31) STRAP ANCHOR (PS-241) (Fy=60 KSI) MIN.
DIRECTLY INTO fc'=3000 PSI GROUT FILLED CONCRETE BLOCK
LIMIT DESIGN PRESSURE TO +/- 65 PSF
6" MIN. EMBEDMENT, 2 1/2 " MIN. EDGE DISTANCE, 8" MIN. SPACING
- TYPE K** (35) WIRE ANCHOR (PF-2) (Fy=60KSI) MIN.
DIRECTLY INTO fc'=3000 PSI CONCRETE, 1-1/2" MIN. EMBED
DIRECTLY INTO GROUT FILLED/HOLLOW CONCRETE BLOCK, 1-1/4" MIN. EMBED
8 3/4 " MIN. EMBEDMENT, 1 5/8 " MIN. EDGE DISTANCE

NOTE:
HEAD & JAMBS TO BE FULLY GOUTED WITH MIN. 3000 PSI NON-SHRINK GROUT



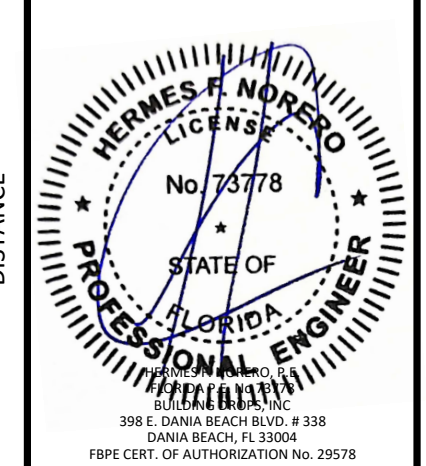
1 HORIZONTAL CROSS SECTION
6 WIRE ANCHOR



3 HORIZONTAL CROSS SECTION
6 STRAP ANCHOR (PS-241)

REMARKS	BY	DATE
2020 FBC UPDATE	NUS	07/23/20
2023 NAME CHANGE	MG	03/06/23

THE INSTALLATION DETAILS DESCRIBED HEREIN ARE GENERIC AND MAY NOT REFLECT ACTUAL CONDITIONS FOR A SPECIFIC SITE. IF SITE CONDITIONS CAUSE INSTALLATION TO DEVIATE FROM THE REQUIREMENTS DETAILED HEREIN, A LICENSED ENGINEER OR ARCHITECT SHALL PREPARE SITE SPECIFIC DOCUMENTS FOR USE WITH THIS DOCUMENT.



FL #:	FL15542
DATE:	06/03/16
DWG. BY:	LS
CHK. BY:	HFN
SCALE:	NTS
DWG. #:	MDI004

SHEET:
6
OF 14

3/31/2023 1:30 PM
 z:\projects\mesker.mbm, llc\bc-23-0112 - fbc submittal - commercial steel doors revisions\dwg\fl15542\mdi004.dwg



MESKER MBM, LLC
 3440 Standwood Blvd.
 Huntsville, AL 35811
 PH: (256) 851-6670

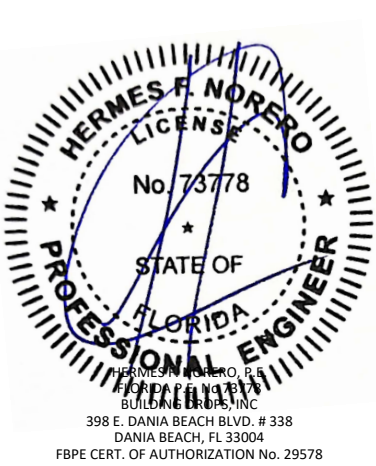
TITLE: "N" SERIES COMMERCIAL OUTSWING STEEL OPAQUE DOOR (HVHZ) (IMPACT) HORIZONTAL SECTIONS

PREPARED BY: BUILDING DROPS, INC.
 398 E. DANIA BEACH BLVD., STE. 338
 DANIA BEACH, FL 33004
 PH: (954)399-8478
 FAX: (954)744-4738
 WEB: www.buildingdrops.com



REMARKS	BY	DATE
2020 FBC UPDATE	NUS	07/23/20
2023 NAME CHANGE	MG	03/06/23

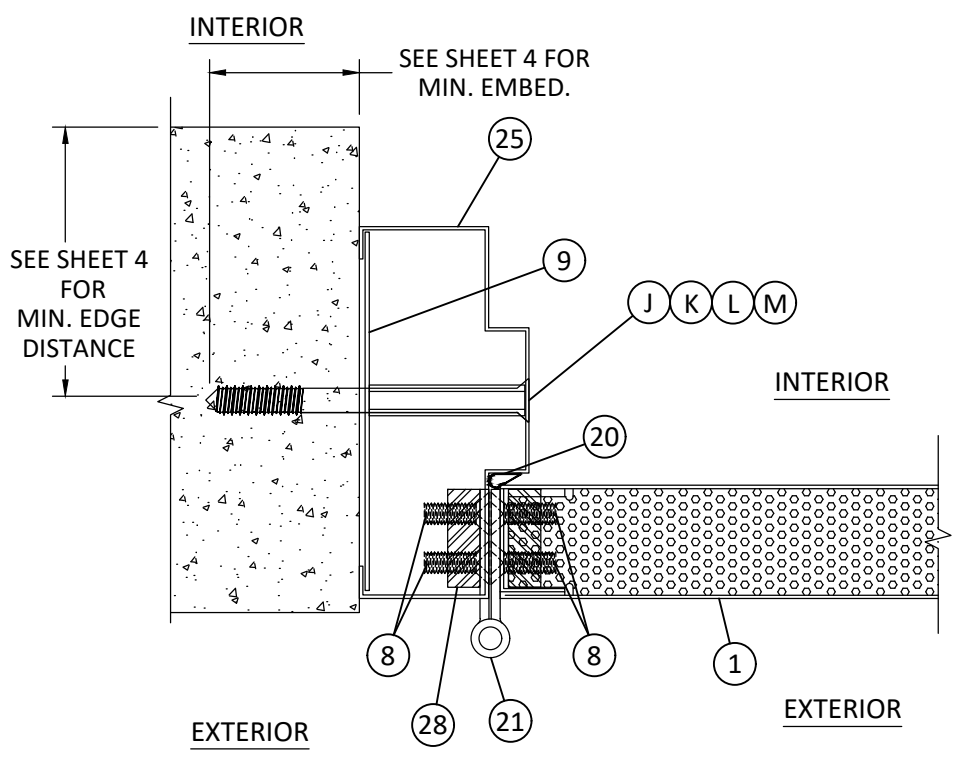
THE INSTALLATION DETAILS DESCRIBED HEREIN ARE GENERIC AND MAY NOT REFLECT ACTUAL CONDITIONS FOR A SPECIFIC SITE. IF SITE CONDITIONS CAUSE INSTALLATION TO DEVIATE FROM THE REQUIREMENTS DETAILED HEREIN, A LICENSED ENGINEER OR ARCHITECT SHALL PREPARE SITE SPECIFIC DOCUMENTS FOR USE WITH THIS DOCUMENT.



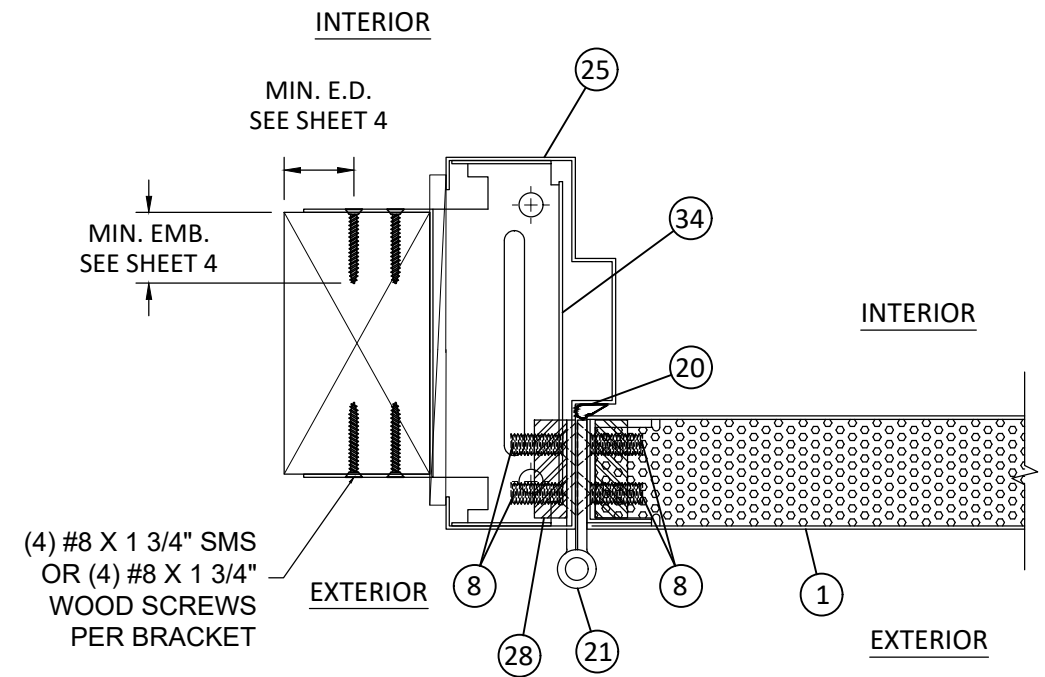
FL #:	FL15542
DATE:	06/03/16
DWG. BY:	LS
CHK. BY:	HFN
SCALE:	NTS
DWG. #:	MDI004
SHEET:	7

TYPICAL ANCHORS @ JAMB: (REFER TO ELEVATION FOR SPACING)

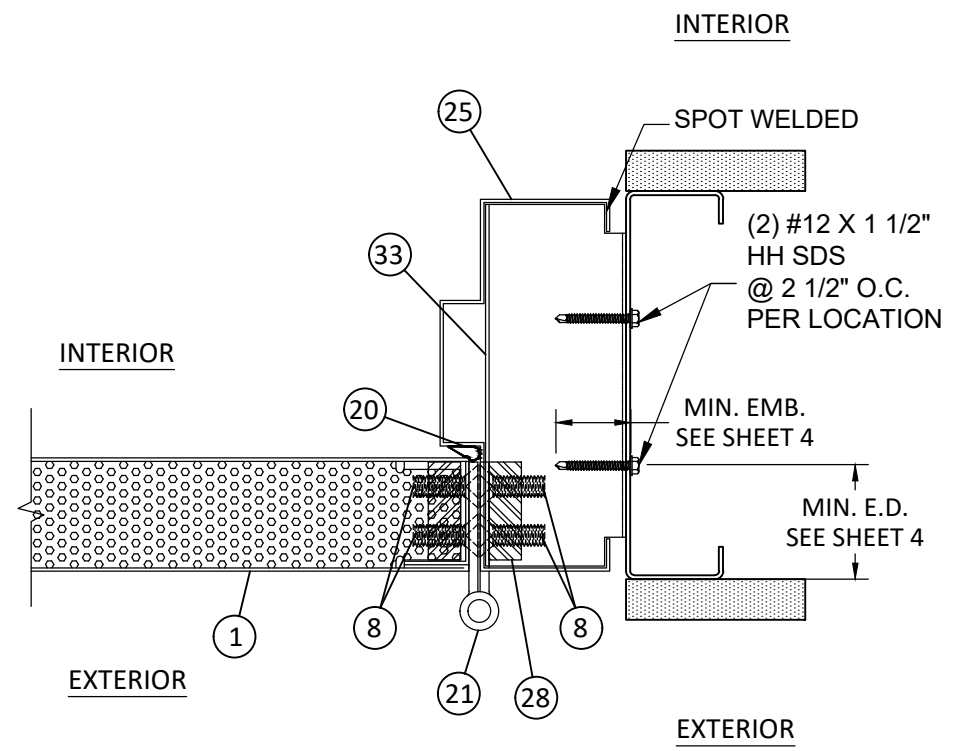
- TYPE L** TUBE ANCHOR (PF-10)
 SEE ELEVATIONS FOR ANCHOR BRACKET LAYOUT
 SEE SHEET 4 FOR ANCHOR TYPES AND SPACING REQUIREMENTS
- TYPE M** Z ANCHOR (PF-9) (2) #12 X 1 1/2" HH SDS @ 2 1/2" O.C. PER LOCATION
 SEE ELEVATIONS FOR ANCHOR BRACKET LAYOUT
 LIMIT DESIGN PRESSURE TO +/- 65 PSF
 SEE SHEET 4 FOR ANCHOR TYPES AND SPACING REQUIREMENTS
- TYPE N** WOOD STUD ANCHOR (F-24) (4) #8 X 1 3/4" SMS OR (4) #8 X 1 3/4" WOOD SCREWS PER BRACKET
 SEE ELEVATIONS FOR ANCHOR BRACKET LAYOUT
 LIMIT DESIGN PRESSURE TO +/- 65 PSF
 1 1/2" MIN. EMBEDMENT, 1/2" MIN. EDGE DISTANCE, 1" SPACING



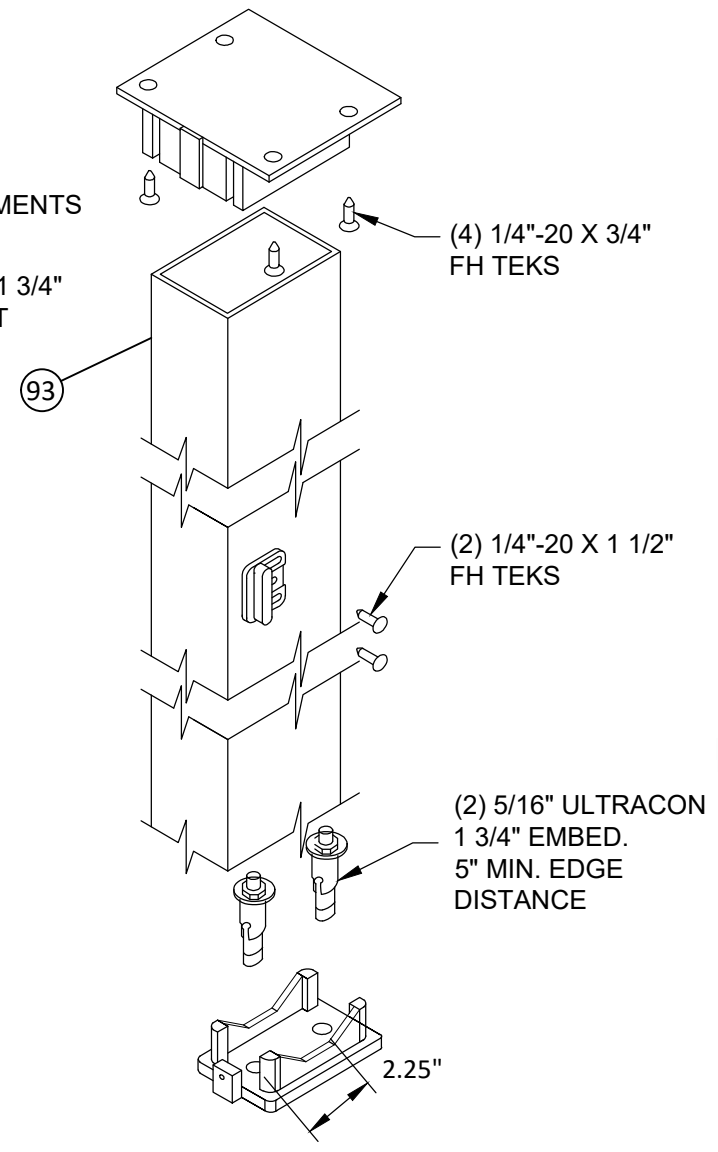
2 HORIZONTAL CROSS SECTION
7 TUBE ANCHOR



1 HORIZONTAL CROSS SECTION
7 WOOD STUD ANCHOR



3 HORIZONTAL CROSS SECTION
7 Z ANCHOR



DESIGN HARDWARE SERIES KRM REMOVABLE MULLION
 Fy = 36 KSI MIN.
 1/8" THK. STEEL

3/31/2023 1:28 PM
z:\projects\mesker.mbm, llc\bc-23-0112 - fbc submittal - commercial steel doors revisions\dwgs\115542\mdi004.dwg



MESKER MBM, LLC
3440 Standwood Blvd.
Huntsville, AL 35811
PH: (256) 851-6670

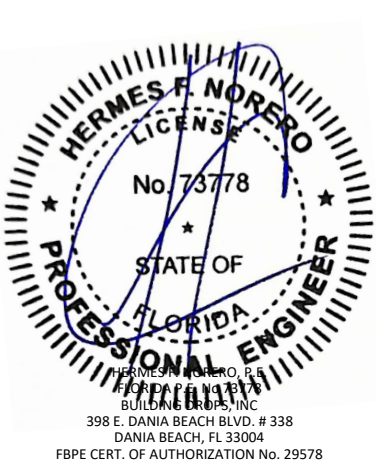
TITLE: "N" SERIES COMMERCIAL OUTSWING STEEL OPAQUE DOOR (HVHZ) (IMPACT) ANCHORING DETAILS

PREPARED BY: BUILDING DROPS, INC.
398 E. DANIA BEACH BLVD., STE. 338
DANIA BEACH, FL 33004
PH: (954)399-8478
FAX: (954)744-4738
WEB: www.buildingdrops.com



REMARKS	BY	DATE
2020 FBC UPDATE	NUS	07/23/20
2023 NAME CHANGE	MG	03/06/23

THE INSTALLATION DETAILS DESCRIBED HEREIN ARE GENERIC AND MAY NOT REFLECT ACTUAL CONDITIONS FOR A SPECIFIC SITE. IF SITE CONDITIONS CAUSE INSTALLATION TO DEVIATE FROM THE REQUIREMENTS DETAILED HEREIN, A LICENSED ENGINEER OR ARCHITECT SHALL PREPARE SITE SPECIFIC DOCUMENTS FOR USE WITH THIS DOCUMENT.



FL #: **FL15542**

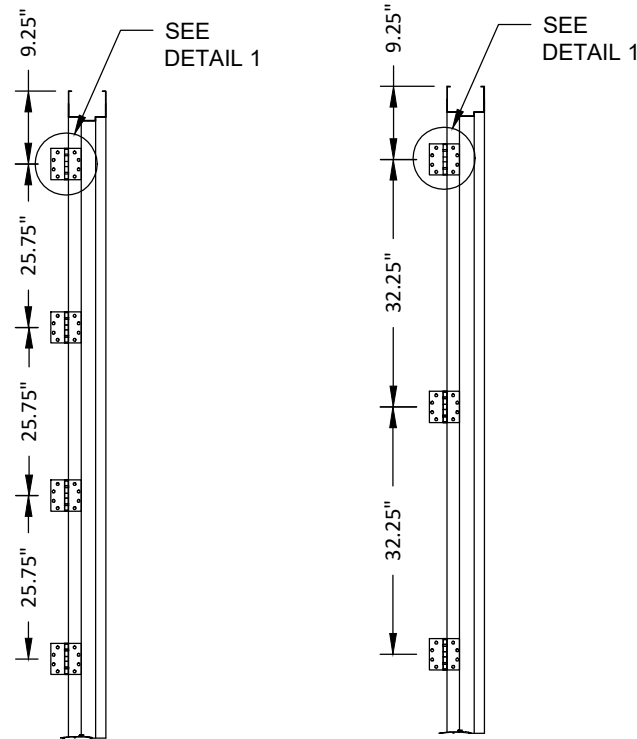
DATE: **06/03/16**

DWG. BY: **LS** CHK. BY: **HFN**

SCALE: **NTS**

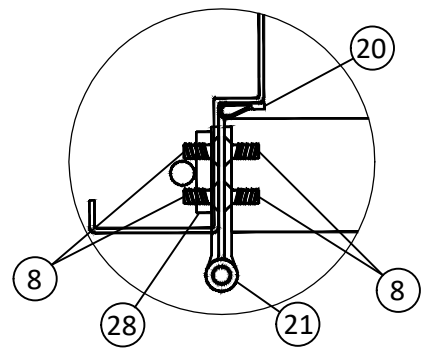
DWG. #: **MDI004**

SHEET: **8**
OF 14

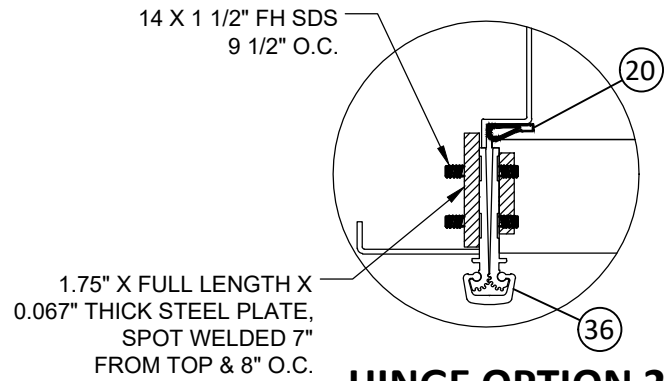


DETAIL 1
HINGE JAMB
4 HINGE OPTION
100" MAX. FRAME HEIGHT

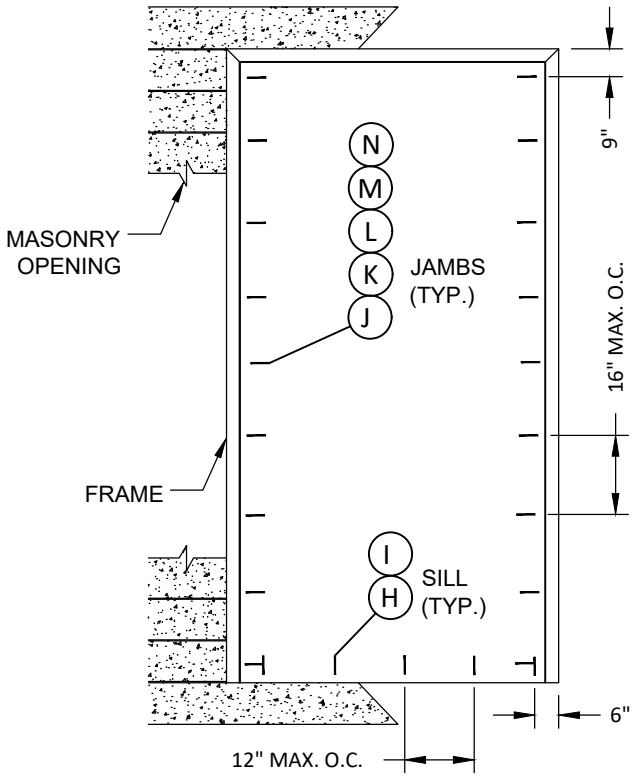
HINGE JAMB
3 HINGE OPTION
90" MAX. FRAME HEIGHT



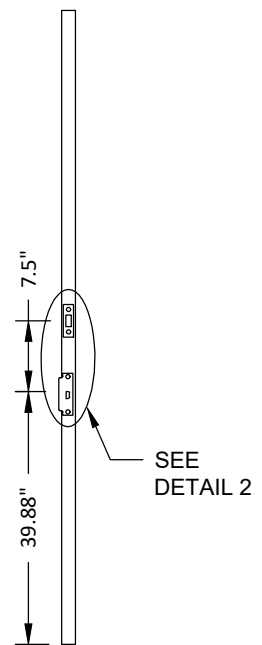
HINGE OPTION 1
BB5 BALL BEARING HINGE



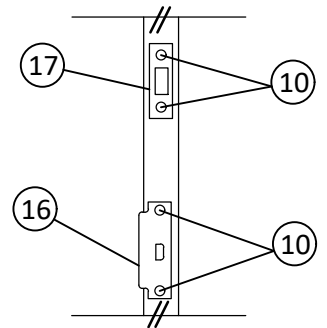
HINGE OPTION 2
CONTINUOUS GEARED HINGE



FRAME ANCHORING
CONCRETE/MASONRY



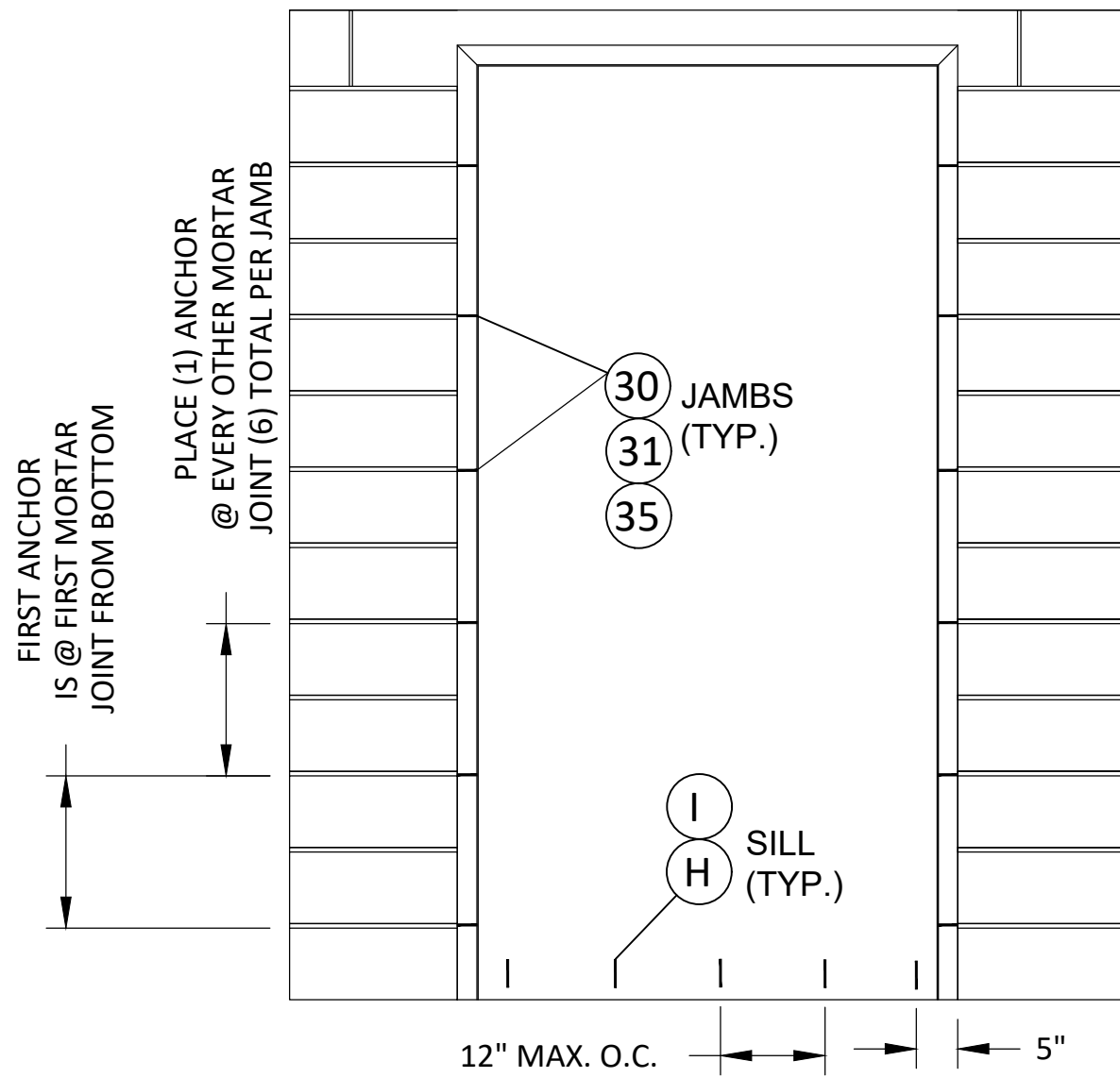
STRIKE JAMB



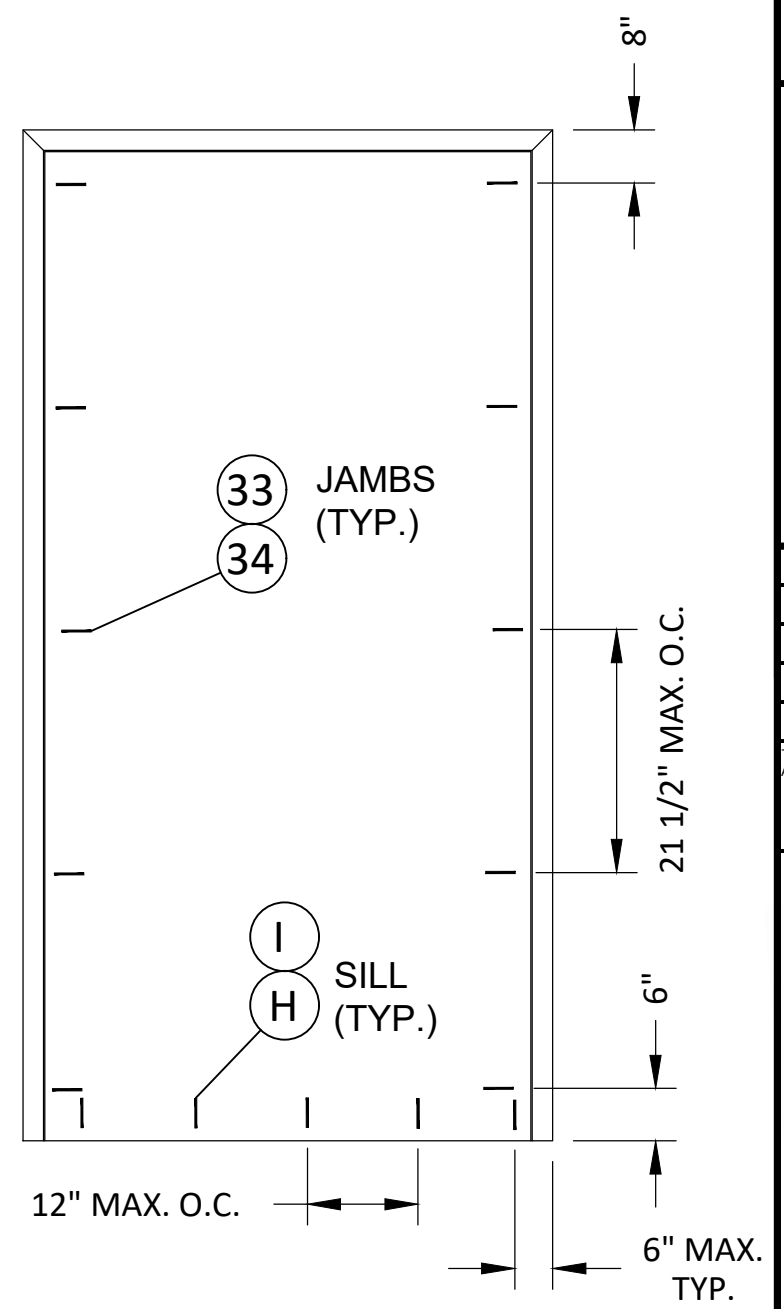
DETAIL 2

- ANCHOR NOTES:**
- SUBSTITUTION OF EQUAL CONCRETE SCREWS FROM A DIFFERENT SUPPLIER MAY HAVE DIFFERENT EDGE DISTANCE AND CENTER DISTANCE REQUIREMENTS. MIN. EDGE DISTANCES SHOWN IN DETAILS ARE FOR DYNALBOLT SLEEVE ANCHORS. ADJUST MIN. CLEARANCES FOR ALTERNATE CONCRETE SCREWS AS NECESSARY.
 - CONCRETE SCREW LOCATIONS AT THE CENTERS MAY BE ADJUSTED TO MAINTAIN THE MINIMUM EDGE DISTANCE TO MORTAR JOINTS. IF CONCRETE SCREW LOCATIONS NOTED AS "MAX. ON CENTER" MUST BE ADJUSTED TO MAINTAIN MINIMUM EDGE DISTANCE TO MORTAR JOINTS, ADDITIONAL CONCRETE SCREWS MAY BE REQUIRED TO ENSURE THE MAXIMUM ON CENTER DIMENSION IS NOT EXCEEDED.

z:\projects\mesker.mbm, llc\fbc-23-0112 - fbc submittal - commercial steel doors revisions\dwg\fb15542\mdi004.dwg 3/31/2023 1:29 PM



FRAME ANCHORING
T-STRAP & WIRE ANCHOR



FRAME ANCHORING
WOOD STUD & Z ANCHOR



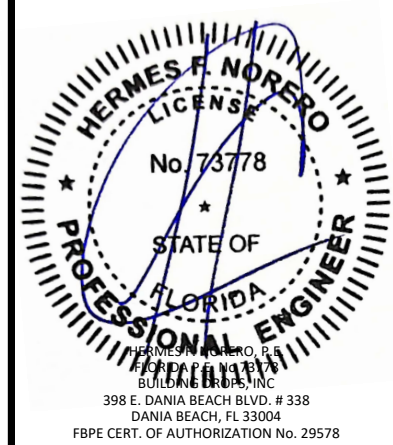
MESKER MBM, LLC
3440 Standwood Blvd.
Huntsville, AL 35811
PH: (256) 851-6670

TITLE:
"N" SERIES COMMERCIAL OUTSWING
STEEL OPAQUE DOOR
(HVHZ) (IMPACT)
ANCHORING DETAILS

PREPARED BY:
B.D.
BUILDING DROPS
398 E. DANIA BEACH BLVD., STE. 338
DANIA BEACH, FL 33004
PH: (954)399-8478
FAX: (954)744-4738
WEB: www.buildingdrops.com

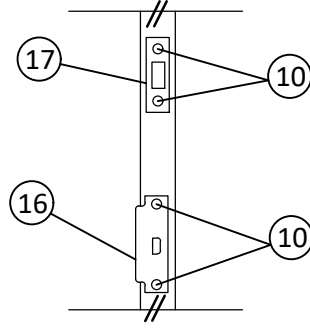
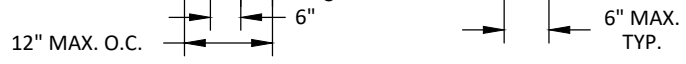
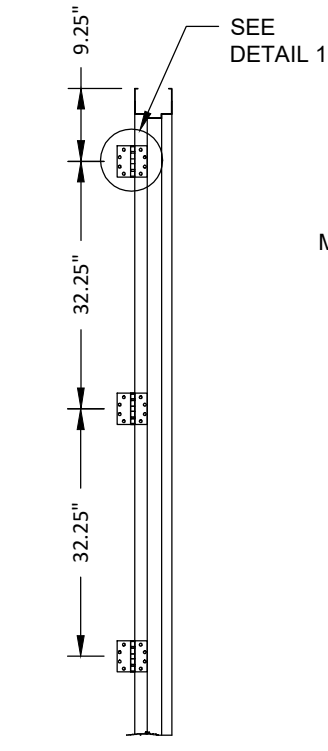
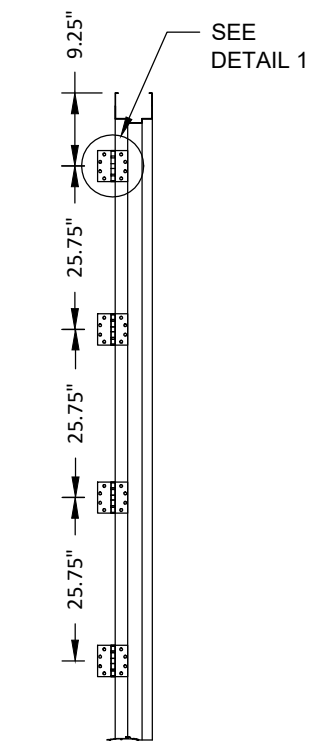
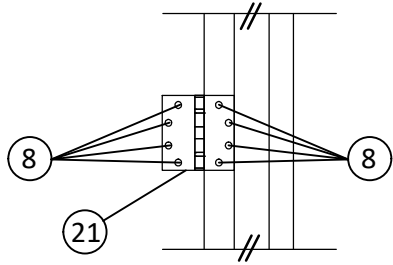
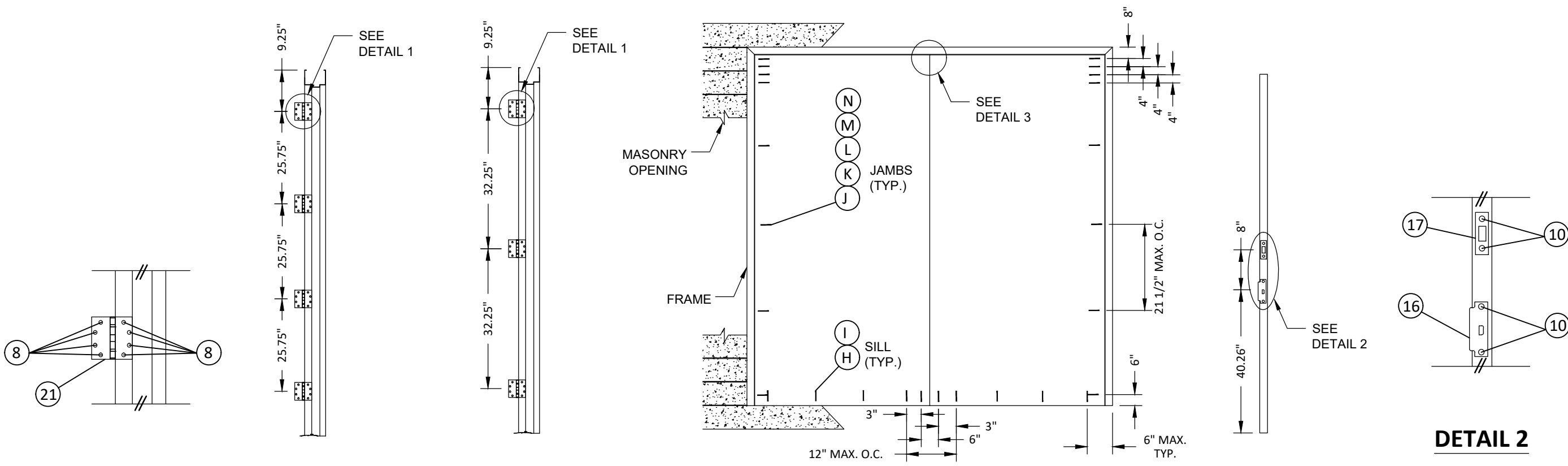
REMARKS	BY	DATE
2020 FBC UPDATE	NUS	07/23/20
2023 NAME CHANGE	MG	03/06/23

THE INSTALLATION DETAILS DESCRIBED HEREIN ARE GENERIC AND MAY NOT REFLECT ACTUAL CONDITIONS FOR A SPECIFIC SITE. IF SITE CONDITIONS CAUSE INSTALLATION TO DEVIATE FROM THE REQUIREMENTS DETAILED HEREIN, A LICENSED ENGINEER OR ARCHITECT SHALL PREPARE SITE SPECIFIC DOCUMENTS FOR USE WITH THIS DOCUMENT.



FL #:	FL15542
DATE:	06/03/16
DWG. BY:	LS
CHK. BY:	HFN
SCALE:	NTS
DWG. #:	MDI004
SHEET:	9

3/31/2023 1:30 PM
z:\projects\mesker.mbm, llc\fbc-23-0112 - fbc submittal - commercial steel doors revisions\dwg\fb15542\mdi004.dwg



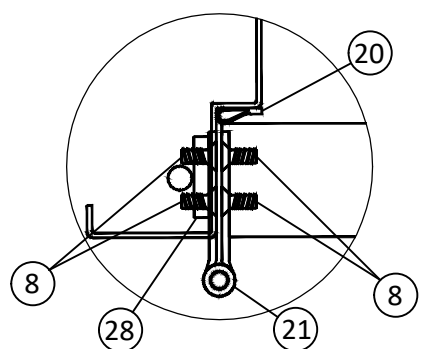
DETAIL 1

HINGE JAMB
4 HINGE OPTION
100" MAX. FRAME HEIGHT

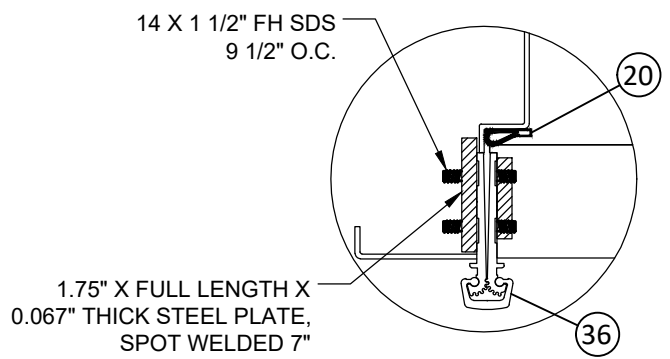
HINGE JAMB
3 HINGE OPTION
90" MAX. FRAME HEIGHT

FRAME ANCHORING
CONCRETE/MASONRY

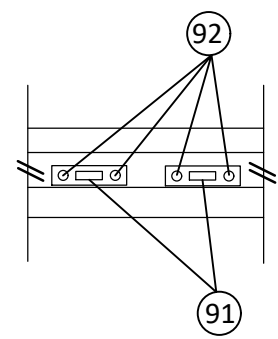
STRIKE JAMB



HINGE OPTION 1
BB5 BALL BEARING HINGE



HINGE OPTION 2
CONTINUOUS GEARED HINGE



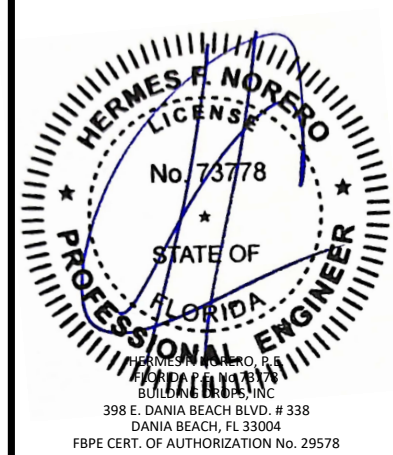
DETAIL 3

TITLE: "N" SERIES COMMERCIAL OUTSWING STEEL OPAQUE DOOR (HVHZ) (IMPACT) ANCHORING DETAILS

PREPARED BY: BUILDING DROPS, INC.
398 E. DANIA BEACH BLVD., STE. 338
DANIA BEACH, FL 33004
PH: (954)399-8478
FAX: (954)744-4738
WEB: www.buildingdrops.com

REMARKS	BY	DATE
2020 FBC UPDATE	NUS	07/23/20
2023 NAME CHANGE	MG	03/06/23

THE INSTALLATION DETAILS DESCRIBED HEREIN ARE GENERIC AND MAY NOT REFLECT ACTUAL CONDITIONS FOR A SPECIFIC SITE. IF SITE CONDITIONS CAUSE INSTALLATION TO DEVIATE FROM THE REQUIREMENTS DETAILED HEREIN, A LICENSED ENGINEER OR ARCHITECT SHALL PREPARE SITE SPECIFIC DOCUMENTS FOR USE WITH THIS DOCUMENT.



ANCHOR NOTES:

1. SUBSTITUTION OF EQUAL CONCRETE SCREWS FROM A DIFFERENT SUPPLIER MAY HAVE DIFFERENT EDGE DISTANCE AND CENTER DISTANCE REQUIREMENTS. MIN. EDGE DISTANCES SHOWN IN DETAILS ARE FOR DYNALBOLT SLEEVE ANCHORS. ADJUST MIN. CLEARANCES FOR TAPPER CONCRETE SCREWS AS NECESSARY.
2. CONCRETE SCREW LOCATIONS AT THE CENTERS MAY BE ADJUSTED TO MAINTAIN THE MINIMUM EDGE DISTANCE TO MORTAR JOINTS. IF CONCRETE SCREW LOCATIONS NOTED AS "MAX. ON CENTER" MUST BE ADJUSTED TO MAINTAIN MINIMUM EDGE DISTANCE TO MORTAR JOINTS, ADDITIONAL CONCRETE SCREWS MAY BE REQUIRED TO ENSURE THE MAXIMUM ON CENTER DIMENSION IS NOT EXCEEDED.

FL #:	FL15542
DATE:	06/03/16
DWG. BY:	LS
CHK. BY:	HFN
SCALE:	NTS
DWG. #:	MDI004
SHEET:	10

z:\projects\mesker.mbm, llc\bc-23-0112 - fbc submittal - commercial steel doors revisions\dwg\fl15542\mdi004.dwg 3/31/2023 1:28 PM



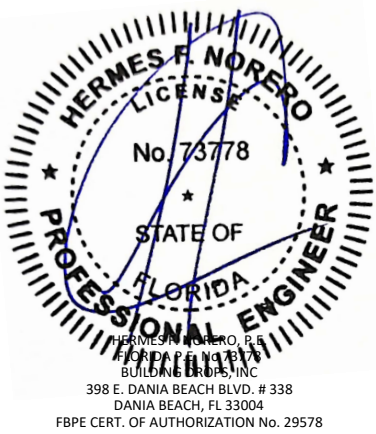
MESKER MBM, LLC
3440 Standwood Blvd.
Huntsville, AL 35811
PH: (256) 851-6670

TITLE:
"N" SERIES COMMERCIAL OUTSWING
STEEL OPAQUE DOOR
(HVHZ) (IMPACT)
ANCHORING DETAILS

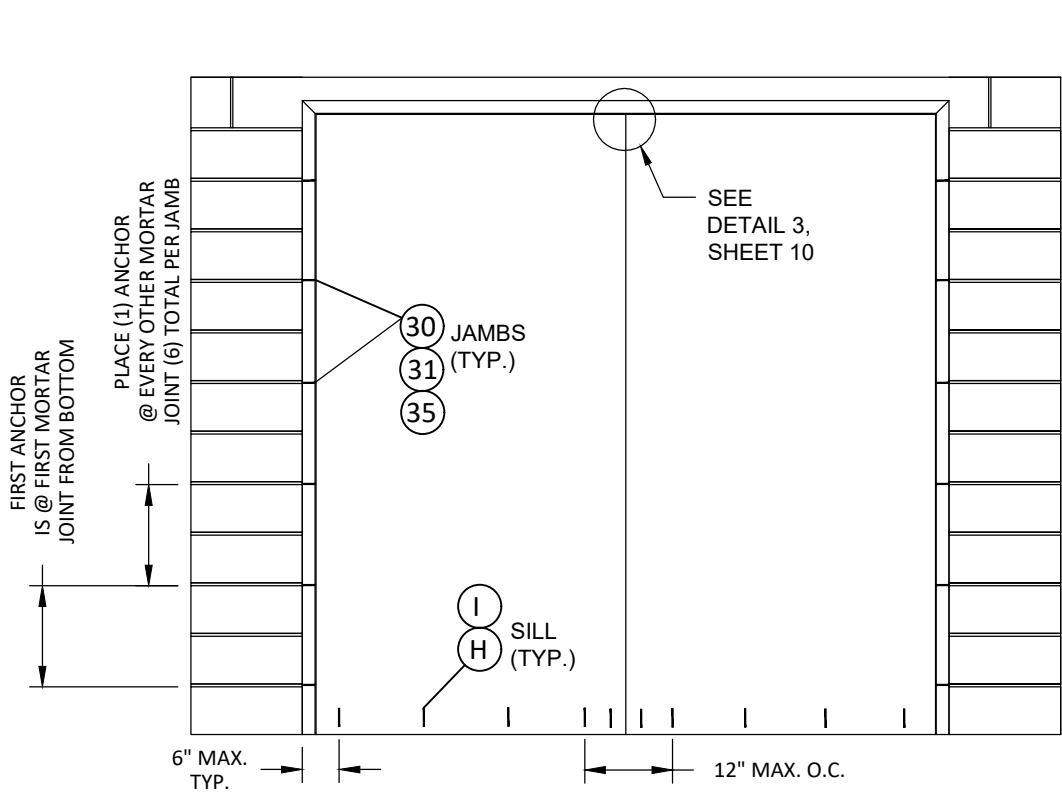
PREPARED BY:
BD
BUILDING DROPS
BUILDING DROPS, INC.
398 E. DANIA BEACH BLVD., STE. 338
DANIA BEACH, FL 33004
PH: (954)399-8478
FAX: (954)744-4738
WEB: www.buildingdrops.com

REMARKS	BY	DATE
2020 FBC UPDATE	NUS	07/23/20
2023 NAME CHANGE	MG	03/06/23

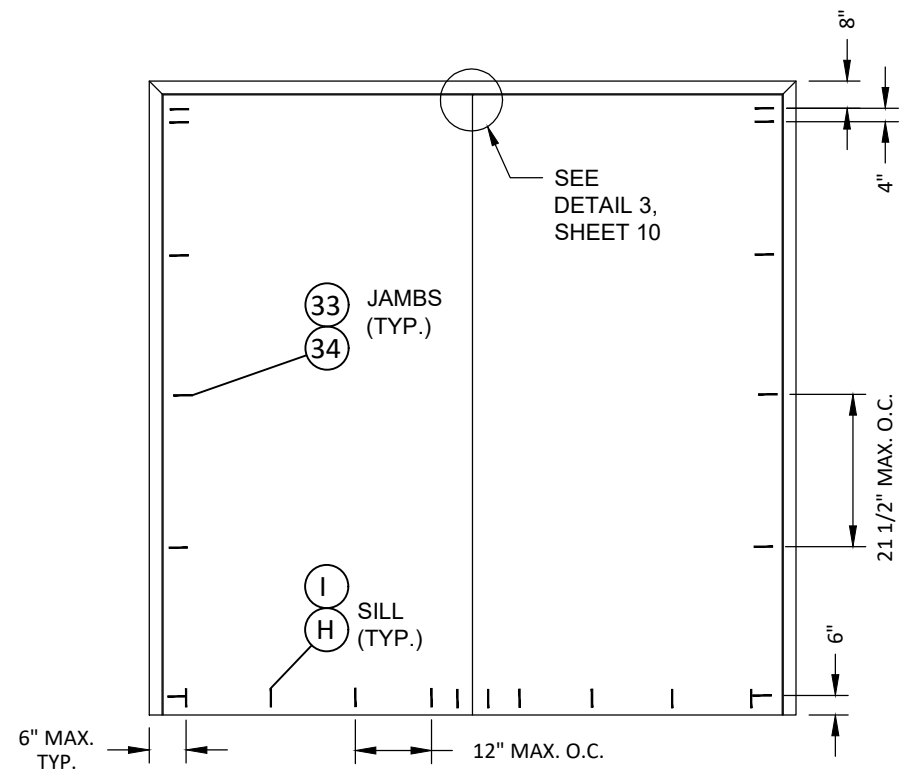
THE INSTALLATION DETAILS DESCRIBED HEREIN ARE GENERIC AND MAY NOT REFLECT ACTUAL CONDITIONS FOR A SPECIFIC SITE. IF SITE CONDITIONS CAUSE INSTALLATION TO DEVIATE FROM THE REQUIREMENTS DETAILED HEREIN, A LICENSED ENGINEER OR ARCHITECT SHALL PREPARE SITE SPECIFIC DOCUMENTS FOR USE WITH THIS DOCUMENT.



FL #:	FL15542
DATE:	06/03/16
DWG. BY:	LS
CHK. BY:	HFN
SCALE:	NTS
DWG. #:	MDI004
SHEET:	11



FRAME ANCHORING
T-STRAP & WIRE ANCHOR



FRAME ANCHORING
WOOD STUD & Z ANCHOR

HARDWARE/LOCK OPTIONS

ACTIVE DOOR HARDWARE CAN APPLY TO SINGLE DOORS
(EXTERIOR ELEVATIONS - OUTSWING DOORS)

OPTION 1

OPTION 1.A (+/- 65 PSF, 100" X 100")

ACTIVE LEAF:

DESIGN HARDWARE M SERIES EXTRA HEAVY DUTY (GRADE 1) MORTISE LOCK WITH (2) 8-32 X 1 1/8" FH MS, LATCH = SS 3/4" THROW, DEADBOLT = SS 1" THROW

INACTIVE LEAF:

DESIGN HARDWARE UL-MFB-M FLUSH BOLTS WITH (4) 8 X 3/4" FH MULTI THREAD SCREWS, TOP AND BOTTOM, FLUSH MOUNT METALLIC FLUSH BOLT GUIDE WITH (2) #8 X 3/4" FH THREAD SCREWS, FLUSH MOUNT METALLIC STRIKE PLATE, WITH (2) 1/4" X 3/8" FH MS

OPTION 1.B (+/- 60 PSF, 40" X 88")

ACTIVE LEAF:

ONITY 86E SERIES EXTRA HEAVY DUTY (GRADE 1) MORTISE LOCK WITH (2) #12-24 X 1" COMBINATION MS, LATCH = SS 3/4" THROW, DEADBOLT = SS 1" THROW

OPTION 2

OPTION 2.A (+/- 65 PSF, 100" X 100")

ACTIVE LEAF:

DESIGN HARDWARE X OR Z SERIES (GRADE 1) CYLINDRICAL LOCK, WITH (2) #8 X 3/4" FH THREAD SCREWS AND (2) #10 X 1 9/16" FH MS. LATCH = SS 1/2" THROW

INACTIVE LEAF:

DESIGN HARDWARE UL-MFB-M FLUSH BOLTS, FLUSH MOUNT METALLIC FLUSH BOLT GUIDE, SURFACE MOUNT METALLIC STRIKE PLATE, WITH (4) 8 X 3/4" FH MULTI THREAD SCREWS, TOP AND BOTTOM

OPTION 2.B (+/- 75 PSF, 52" X 100")

ACTIVE LEAF:

DESIGN HARDWARE X OR Z SERIES (GRADE 1) CYLINDRICAL LOCK, WITH (2) #8 X 3/4" FH THREAD SCREWS AND (2) #10 X 1 9/16" FH MS. LATCH = SS 1/2" THROW, WITH DEADBOLT D-1S OR D2-S.

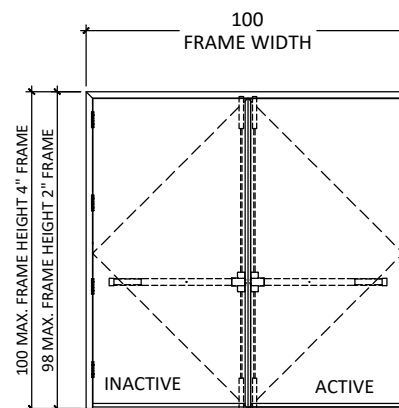
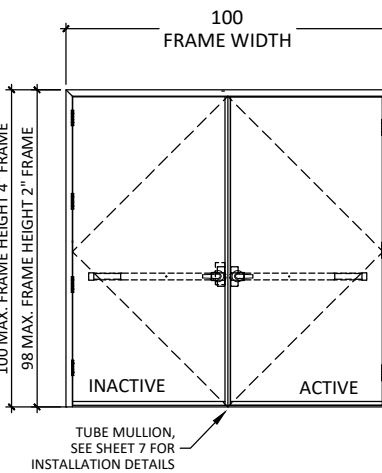
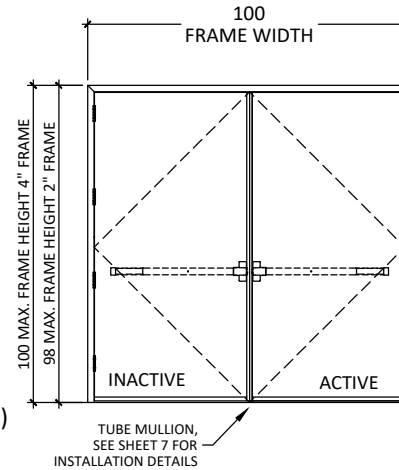
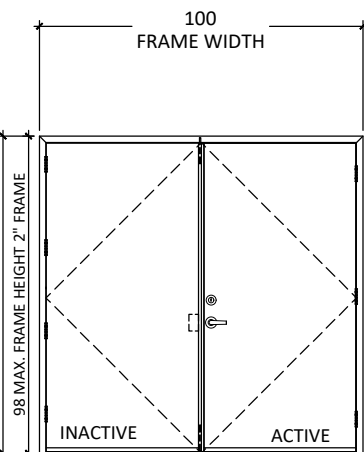
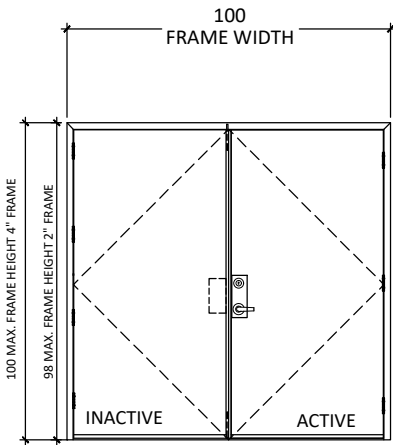
OPTION 2.C (+/- 55 PSF, 40" X 88")

ACTIVE LEAF:

SCHLAGE 161 (GRADE 1) CYLINDRICAL LOCK, WITH (2) #8 X 3/4" FH THREAD SCREWS AND (2) #10 X 1 9/16" FH MS. LATCH = SS 1/2" THROW

NOTE:

CONTINUOUS HINGE OR BB5 HINGE ACCEPTABLE ON ALL OPTIONS. LIMIT TO +/- 65 PSF WITH USE OF CONTINUOUS HINGE. FOR PANEL OPTIONS, SEE SHEET 2.



OPTION 3

OPTION 3.A (+/- 65 PSF, 100" X 100")

ACTIVE LEAF/INACTIVE LEAF:

DESIGN HARDWARE 2000 SERIES STANDARD DUTY SURFACE MOUNT METALLIC RIM PANIC DEVICE WITH (6) 14 X 1 1/2" FH SDS, RIM PANIC LATCH AT LOCKS = 5/8" THROW. ROLLER STRIKE WITH 5/8" PROJECTION & 1/8" SHIM.

WITH 2" X 3" X 1/8" THICK STEEL VERTICAL TUBE MULLION, FY = 36 KSI MIN.

OPTION 3.B (+/- 65 PSF, 100" X 100")

ACTIVE LEAF/INACTIVE LEAF:

DESIGN HARDWARE 1000 SERIES HEAVY DUTY SURFACE MOUNT METALLIC PANIC DEVICE WITH (5) 14 X 1 1/2" FH SDS, ROLLER STRIKE WITH 5/8" PROJECTION & 1/8" SHIM. WITH 2" X 3" X 1/8" THICK STEEL VERTICAL TUBE MULLION, FY = 36 KSI MIN.

OPTION 3.C (+/- 55 PSF, 52" X 88")

ACTIVE LEAF:

VON DUPRIN 99 SERIES STANDARD DUTY SURFACE MOUNT METALLIC RIM PANIC DEVICE WITH (6) 14 X 1 1/2" FH SDS, RIM PANIC LATCH AT LOCKS = 5/8" THROW. ROLLER STRIKE WITH 5/8" PROJECTION & 1/8" SHIM.

WITH 2" X 3" X 1/8" THICK STEEL VERTICAL TUBE MULLION, FY = 36 KSI MIN.

OPTION 4

OPTION 4.A (+/- 65 PSF, 100" X 100")

ACTIVE LEAF/INACTIVE LEAF:

DESIGN HARDWARE 2000 SERIES STANDARD DUTY SURFACE MOUNT METALLIC PANIC DEVICE WITH DESIGN KIL TRIM, WITH (4) 14 X 1 1/2" FH SDS, HANDLE WITH (2) #8-36 X 1 1/2" PH MS. WITH 2" X 3" X 1/8" THICK STEEL VERTICAL TUBE MULLION, FY = 36 KSI MIN.

OPTION 4.B (+/- 65 PSF, 100" X 100")

ACTIVE LEAF/INACTIVE LEAF:

DESIGN HARDWARE 1000 SERIES HEAVY DUTY SURFACE MOUNT METALLIC PANIC DEVICE WITH DESIGN KIL TRIM WITH (5) 14 X 1 1/2" FH SDS, HANDLE WITH (2) #8-36 X 1 1/2" PH MS. WITH 2" X 3" X 1/8" THICK STEEL VERTICAL TUBE MULLION, FY = 36 KSI MIN.

OPTION 4.C (+/- 55 PSF, 52" X 88")

ACTIVE LEAF

VON DUPRIN 99 SERIES STANDARD DUTY SURFACE MOUNT METALLIC RIM PANIC DEVICE WITH DESIGN KIL TRIM, WITH (4) 14 X 1 1/2" FH SDS, HANDLE WITH (2) #8-36 X 1 1/2" PH MS. WITH 2" X 3" X 1/8" THICK STEEL VERTICAL TUBE MULLION, FY = 36 KSI MIN.

OPTION 5

OPTION 5.A (+/- 65 PSF, 100" X 100")

ACTIVE LEAF/INACTIVE LEAF:

DESIGN HARDWARE 2000 SERIES STANDARD DUTY (GRADE 1) SVR SURFACE MOUNT METALLIC 2 POINT LOCK SYSTEM WITH PANIC DEVICE AND VERTICAL RODS ON EXTERIOR WITH (6) 14"-20 X 3/4 PH SMS AND (6) 14-20 X 3/4" FH MS. TOP STRIKE WITH (3) 1/4"-20P X 3/4" FH MS.

OPTION 5.B (+/- 65 PSF, 100" X 100")

ACTIVE LEAF/INACTIVE LEAF:

DESIGN HARDWARE 1000 SERIES HEAVY DUTY (GRADE 1) SVR SURFACE MOUNT METALLIC PANIC DEVICE WITH (2) 14-20" PH MS AND (4) 14 X 1/4" FH SMS, VERTICAL ROD AT TOP AND BOTTOM (2) 14 X 1 1/2" FH SDS. TOP STRIKE WITH (3) 1/4"-20P X 3/4" FH MS.



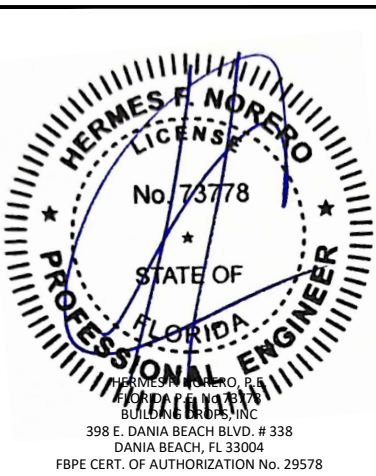
MESKER MBM, LLC
3440 Standwood Blvd.
Huntsville, AL 35811
PH: (256) 851-6670

TITLE: "N" SERIES COMMERCIAL OUTSWING STEEL OPAQUE DOOR (HVHZ) (IMPACT) HARDWARE OPTIONS

PREPARED BY: BUILDING DROPS, INC.
398 E. DANIA BEACH BLVD., STE. 338
DANIA BEACH, FL 33004
PH: (954) 399-8478
FAX: (954) 744-4738
WEB: www.buildingdrops.com

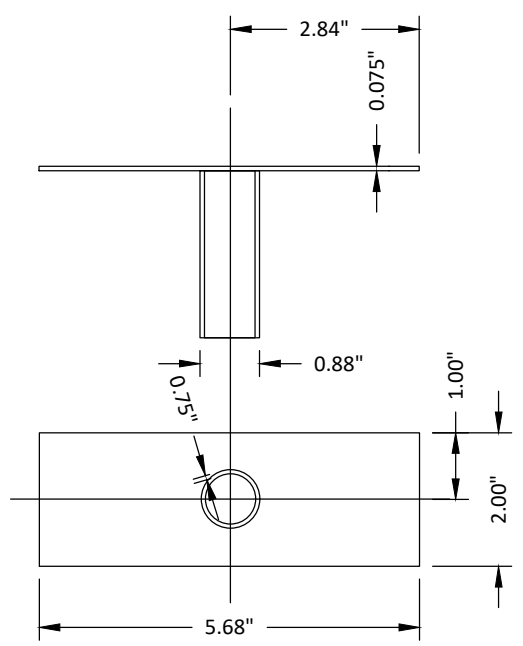
REMARKS	BY	DATE
2020 FBC UPDATE	NUS	07/23/20
2023 NAME CHANGE	MG	03/06/23

THE INSTALLATION DETAILS DESCRIBED HEREIN ARE GENERIC AND MAY NOT REFLECT ACTUAL CONDITIONS FOR A SPECIFIC SITE. IF SITE CONDITIONS CAUSE INSTALLATION TO DEVIATE FROM THE REQUIREMENTS DETAILED HEREIN, A LICENSED ENGINEER OR ARCHITECT SHALL PREPARE SITE SPECIFIC DOCUMENTS FOR USE WITH THIS DOCUMENT.

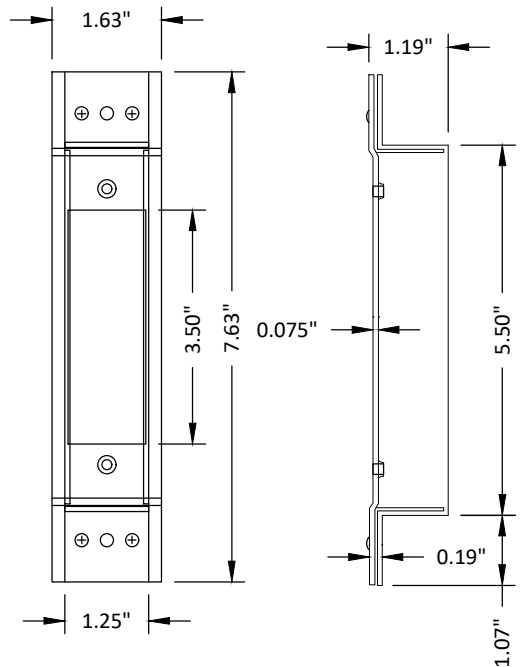


FL #:	FL15542
DATE:	06/03/16
DWG. BY:	LS
CHK. BY:	HFN
SCALE:	NTS
DWG. #:	MDI004
SHEET:	12

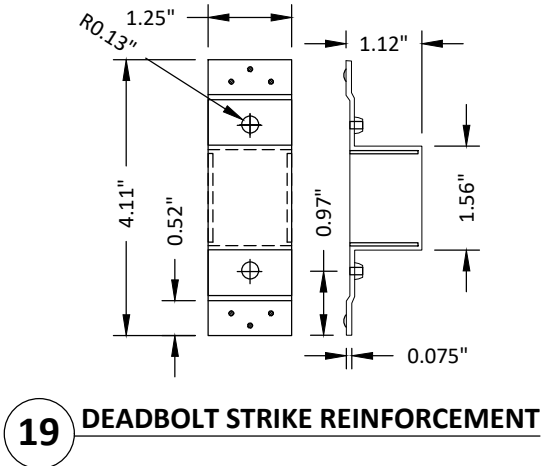
3/31/2023 1:28 PM



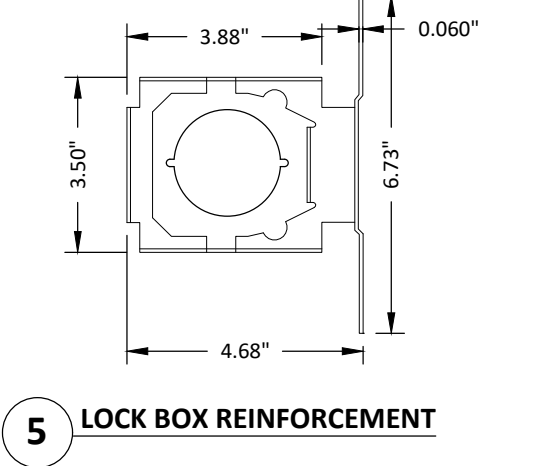
9 TUBE ANCHOR



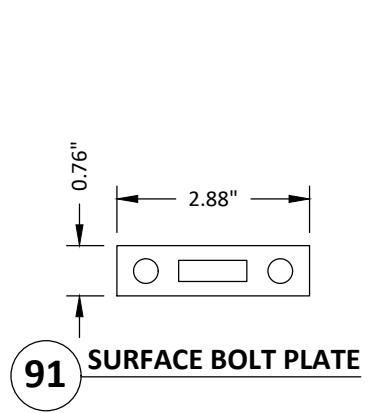
27 LATCH STRIKE REINFORCEMENT



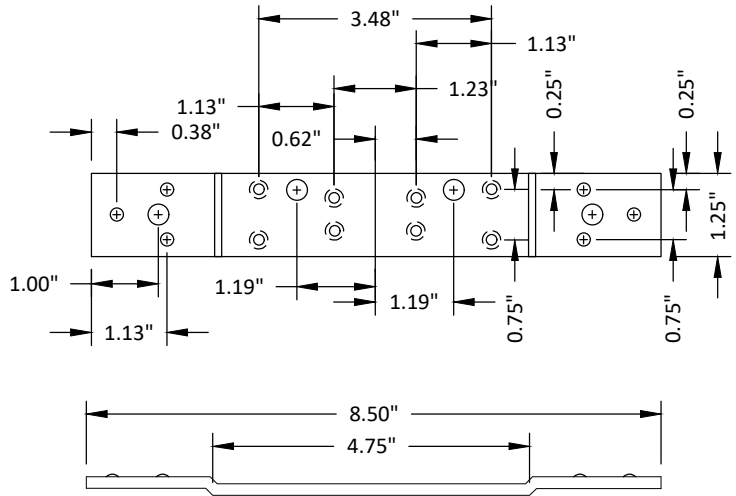
19 DEADBOLT STRIKE REINFORCEMENT



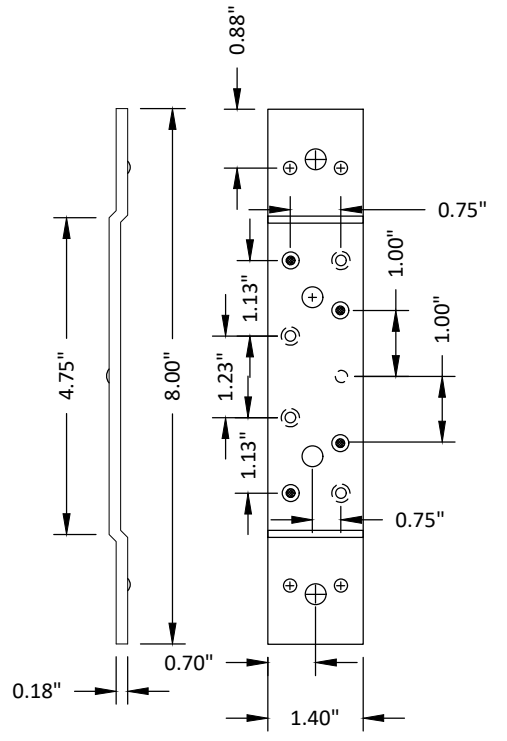
5 LOCK BOX REINFORCEMENT



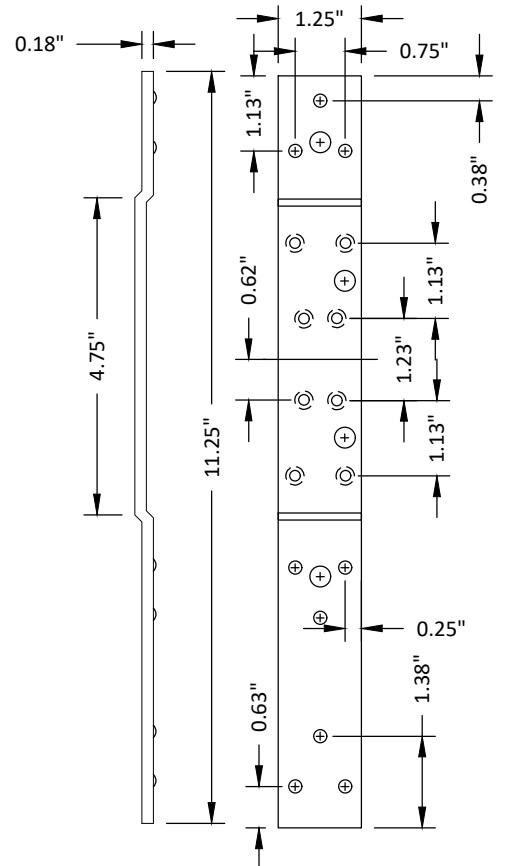
91 SURFACE BOLT PLATE



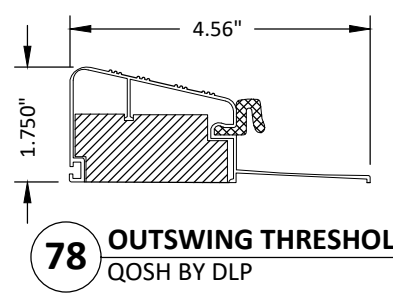
28 FRAME HINGE REINFORCEMENT



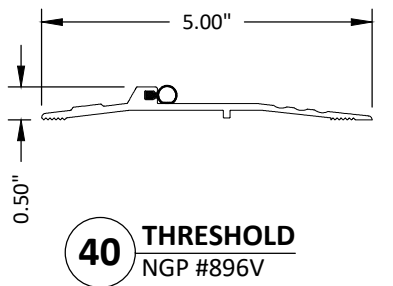
23 STANDARD (SHORT) DOOR HINGE REINFORCEMENT MIDDLE AND BOTTOM HINGE



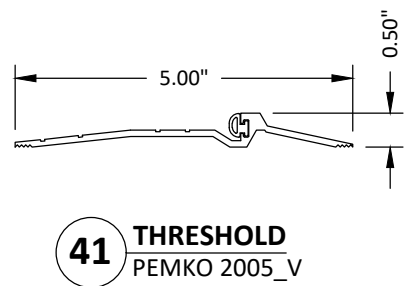
22 STANDARD (LONG) DOOR HINGE REINFORCEMENT TOP HINGE



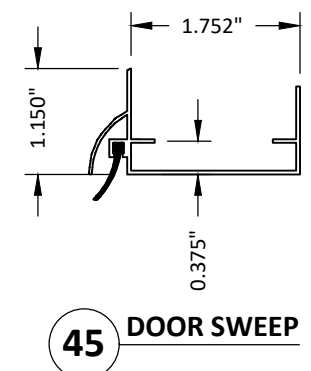
78 OUTSWING THRESHOLD QOSH BY DLP



40 THRESHOLD NGP #896V



41 THRESHOLD PEMKO 2005_V



45 DOOR SWEEP



MESKER MBM, LLC
3440 Standwood Blvd.
Huntsville, AL 35811
PH: (256) 851-6670

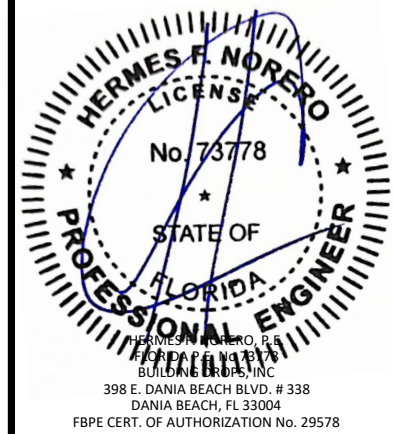
TITLE: "N" SERIES COMMERCIAL OUTSWING STEEL OPAQUE DOOR (HVHZ) (IMPACT) COMPONENTS

PREPARED BY: BUILDING DROPS, INC.
398 E. DANIA BEACH BLVD., STE. 338
DANIA BEACH, FL 33004
PH: (954) 399-8478
FAX: (954) 744-4738
WEB: www.buildingdrops.com



REMARKS	BY	DATE
2020 FBC UPDATE	NUS	07/23/20
2023 NAME CHANGE	MG	03/06/23

THE INSTALLATION DETAILS DESCRIBED HEREIN ARE GENERIC AND MAY NOT REFLECT ACTUAL CONDITIONS FOR A SPECIFIC SITE. IF SITE CONDITIONS CAUSE INSTALLATION TO DEVIATE FROM THE REQUIREMENTS DETAILED HEREIN, A LICENSED ENGINEER OR ARCHITECT SHALL PREPARE SITE SPECIFIC DOCUMENTS FOR USE WITH THIS DOCUMENT.



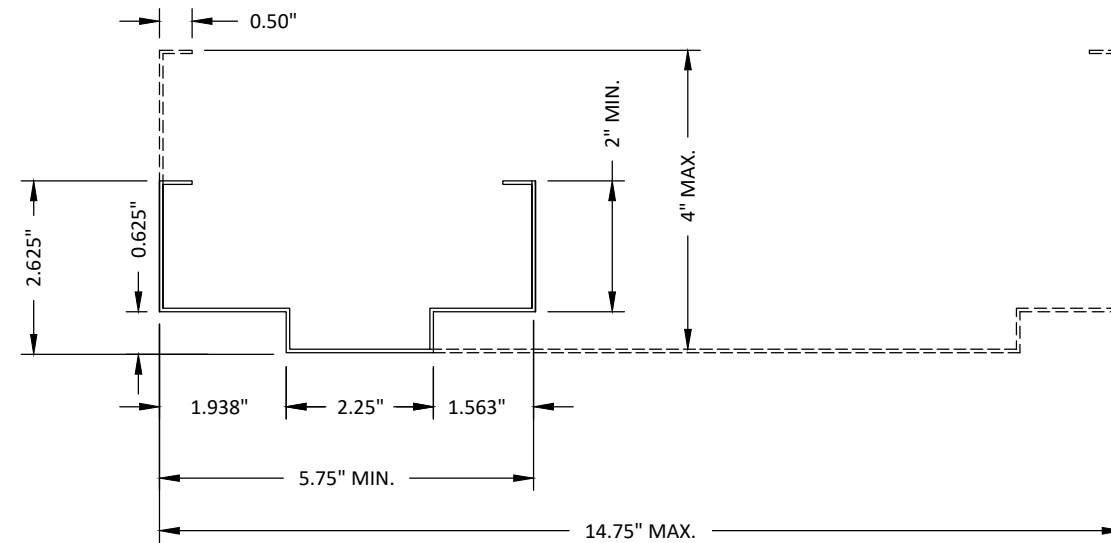
FL #:	FL15542
DATE:	06/03/16
DWG. BY:	LS
CHK. BY:	HFN
SCALE:	NTS
DWG. #:	MDI004
SHEET:	13

3/31/2023 1:29 PM
z:\projects\mesker.mbm, llc\fbc-23-0112 - fbc submittal - commercial steel doors revisions\dwg\fb15542\mdi004.dwg

BILL OF MATERIALS

ITEM #	DESCRIPTION	MATERIAL
C	1/4" MAX. SHIM SPACE	-
D	1/4" X 2-3/4" ELCO OR ITW CONCRETE SCREWS	STEEL
E	MASONRY - 3000 PSI MIN. CONCRETE CONFORMING TO ACI 301 OR HOLLOW BLOCK CONFORMING TO ASTM C90	CONCRETE
H	1/4" X 1-3/4" ITW PFH CONCRETE SCREW	STEEL
I	5/16" X 1-3/4" ELCO ULTRACON CONCRETE SCREW	STEEL
J	3/8" X 5" PFH ITW DYNABOLT SLEEVE ANCHOR	STEEL
K	3/8" X 5" HLC HILTI SLEEVE ANCHOR	STEEL
L	3/8" X 5" SLEEVE ANCHOR BY POWERS FASTENERS	STEEL
M	3/8" X 5" TAPPER CONCRETE SCREW BY POWERS FASTENERS	STEEL
N	5/16" SMS OR MACHINE BOLT (MIN. GRADE 5 CRS)	STEEL
O	3/8" X 5" WEDGE BOLT CONCRETE SCREW BY POWERS FASTENERS	STEEL
1	"N" STEEL DOOR PANEL	-
2	DOOR SKIN - 18GA (0.042" THK. STEEL, Fy=42 PSI MIN.) BY MESKER	STEEL
3	FOAM 1.0 PCF MIN. DENSITY	POLYSTYRENE
4	DOOR TOP & BOTTOM CLOSER	STEEL
5	LOCK BOX REINFORCEMENT	STEEL
8	#12-24 X 1/2" SELF TAPPER	STEEL
9	TUBE ANCHOR (PF-10)	STEEL
10	#12-24 X 1" COMBINATION MACHINE / WOOD SCREW	STEEL
16	ANSI LATCH STRIKE	STEEL
17	DEADBOLT STRIKE	STEEL
19	DEADBOLT STRIKE REINFORCEMENT	STEEL
20	WEATHERSTRIP (PEMKO S-88)	NEOPRENE
21	4-1/2" X 4-1/2" X 0.125" TEMPLATE HINGE	STEEL
22	STANDARD (LONG) DOOR HINGE TOP HINGE REINFORCEMENT	STEEL
23	STANDARD (SHORT) DOOR HINGE MIDDLE BOTTOM HINGE REINF.	STEEL
24	WEATHERSTRIP (THRESHOLD)	NEOPRENE
25	HOLLOW METAL FRAME - 16GA (0.053" THK.) BY MESKER	STEEL
27	LATCH STRIKE REINFORCEMENT	STEEL
28	FRAME HINGE REINFORCEMENT	STEEL
30	MASONRY 'TEE' ANCHOR (MESKER PFMT5)	STEEL
31	STRAP ANCHOR (PS-241)	STEEL
33	Z ANCHOR (PF-9)	STEEL
34	WOOD STUD ANCHOR (F-24)	STEEL
35	WIRE ANCHOR (PF-2)	STEEL
36	CONTINUOUS GEARED HINGE	ALUMINUM

ITEM #	DESCRIPTION	MATERIAL
40	THRESHOLD (NATIONAL GUARD PRODUCTS, INC. #896V)	ALUMINUM
41	THRESHOLD (PEMKO 2005_V)	ALUMINUM
45	95WHA DOOR SWEEP NATIONAL GUARD PRODUCTS, INC.	ALUMINUM
46	#6 X 3/4" PHILIPS HEAD SMS	STEEL
71	DESIGN HARDWARE D1-S SERIES DEADBOLT	STEEL
72	DESIGN HARDWARE "Z" SERIES ENTRY	STEEL
76	DESIGN HARDWARE D2-S SERIES DEADBOLT	STEEL
77	DESIGN HARDWARE "X" SERIES ENTRY	STEEL
78	OUTSWING THRESHOLD QOSH BY DLP	ALUM / WOOD
79	WEATHERSTRIP	FOAM
89	#8 X 1-1/4" PPH SELF TAPPER	STEEL
92	#8 X 1-1/4" PPH SELF TAPPER	STEEL
93	KRM REMOVABLE MULLION	STEEL



25 HOLLOW METAL FRAME



MESKER MBM, LLC
3440 Standwood Blvd.
Huntsville, AL 35811
PH: (256) 851-6670

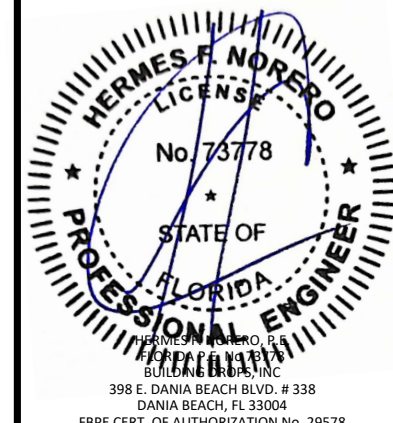
TITLE: "N" SERIES COMMERCIAL OUTSWING
STEEL OPAQUE DOOR
(HVHZ) (IMPACT)
BILL OF MATERIALS

PREPARED BY:
BUILDING DROPS, INC.
398 E. DANIA BEACH BLVD., STE. 338
DANIA BEACH, FL 33004
PH: (954) 399-8478
FAX: (954) 744-4738
WEB: www.buildingdrops.com



REMARKS	BY	DATE
2020 FBC UPDATE	NUS	07/23/20
2023 NAME CHANGE	MG	03/06/23

THE INSTALLATION DETAILS DESCRIBED HEREIN ARE GENERIC AND MAY NOT REFLECT ACTUAL CONDITIONS FOR A SPECIFIC SITE. IF SITE CONDITIONS CAUSE INSTALLATION TO DEVIATE FROM THE REQUIREMENTS DETAILED HEREIN, A LICENSED ENGINEER OR ARCHITECT SHALL PREPARE SITE SPECIFIC DOCUMENTS FOR USE WITH THIS DOCUMENT.



FL #:	FL15542
DATE:	06/03/16
DWG. BY:	LS
CHK. BY:	HFN
SCALE:	NTS
DWG. #:	MDI004
SHEET:	14
	OF 14