



Series 3070-HI Sliding Glass / Pocket Door w/ 90°-135° Outside Corner "IMPACT"

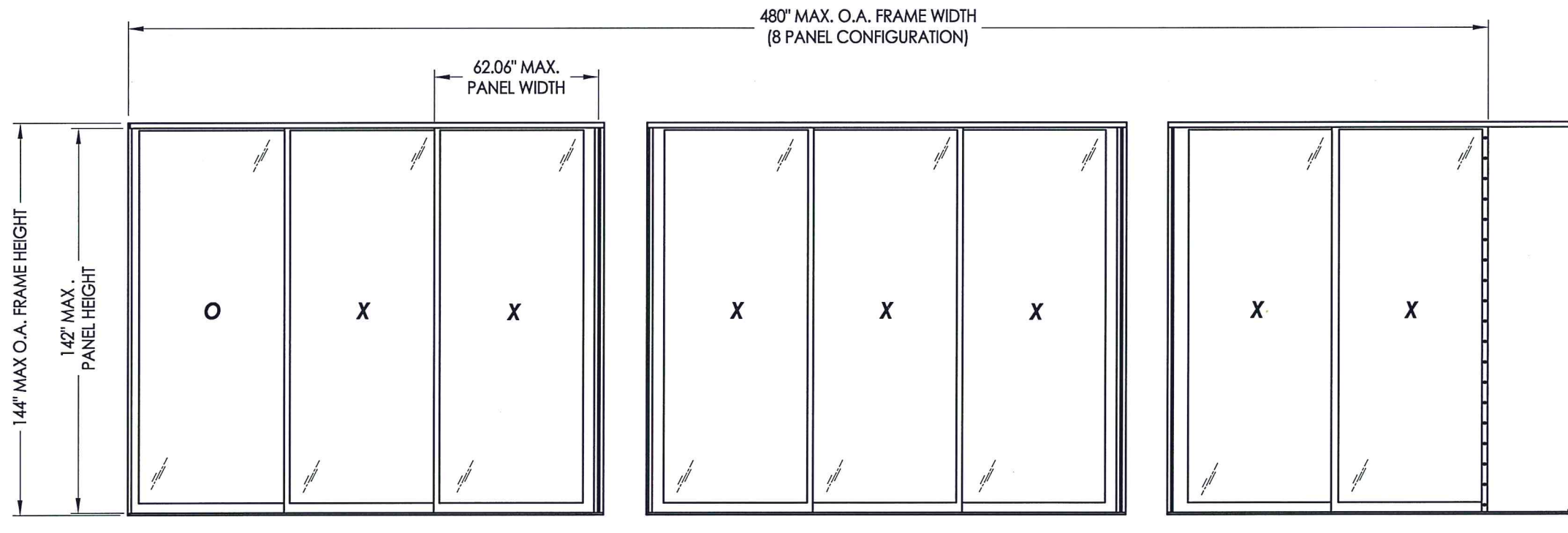
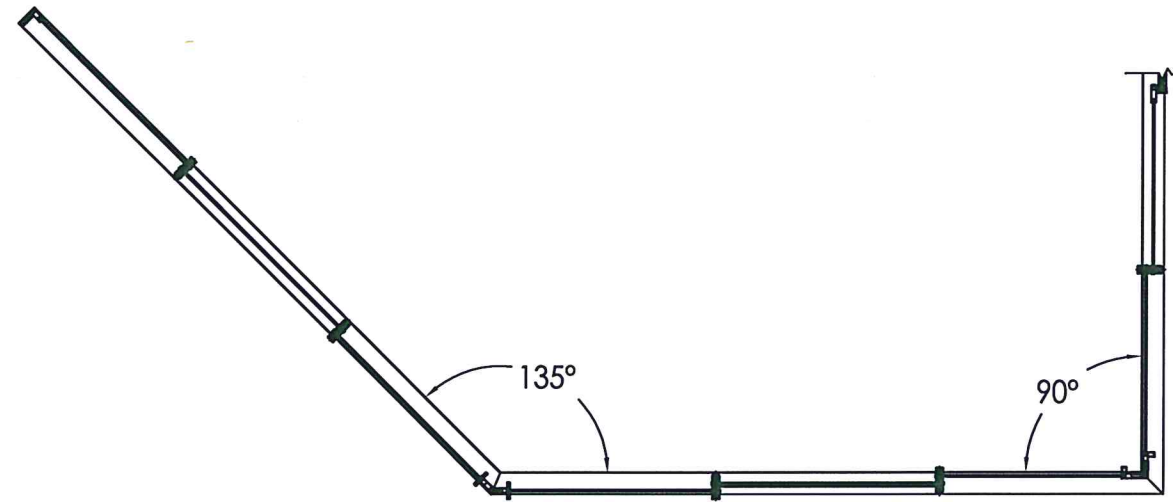
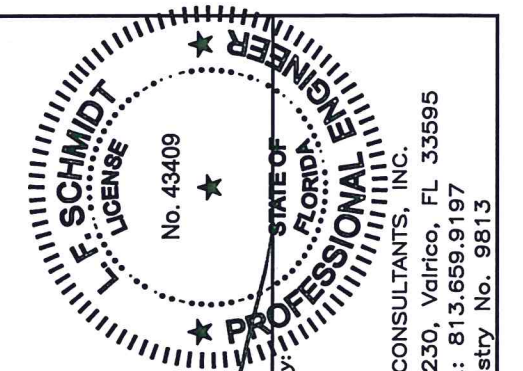


TABLE OF CONTENTS	
SHEET #	DESCRIPTION
1	Typical elevations & design pressures
2	General notes & elevation
3	Horizontal cross sections
4	Horizontal cross sections
5	Vertical cross sections
6	Vertical cross sections
7	Buck anchoring
8	Frame anchoring
9	Components
10	Components
11	Bill of materials & glazing details

MAX PANEL DIMENSION	MAX D.L.O. DIMENSION	GLASS TYPE	DESIGN PRESSURE (PSF)	
			POSITIVE	NEGATIVE
62.06" X 142.0"	56.5" X 135.5"	G1, G2	+50.0	-55.0

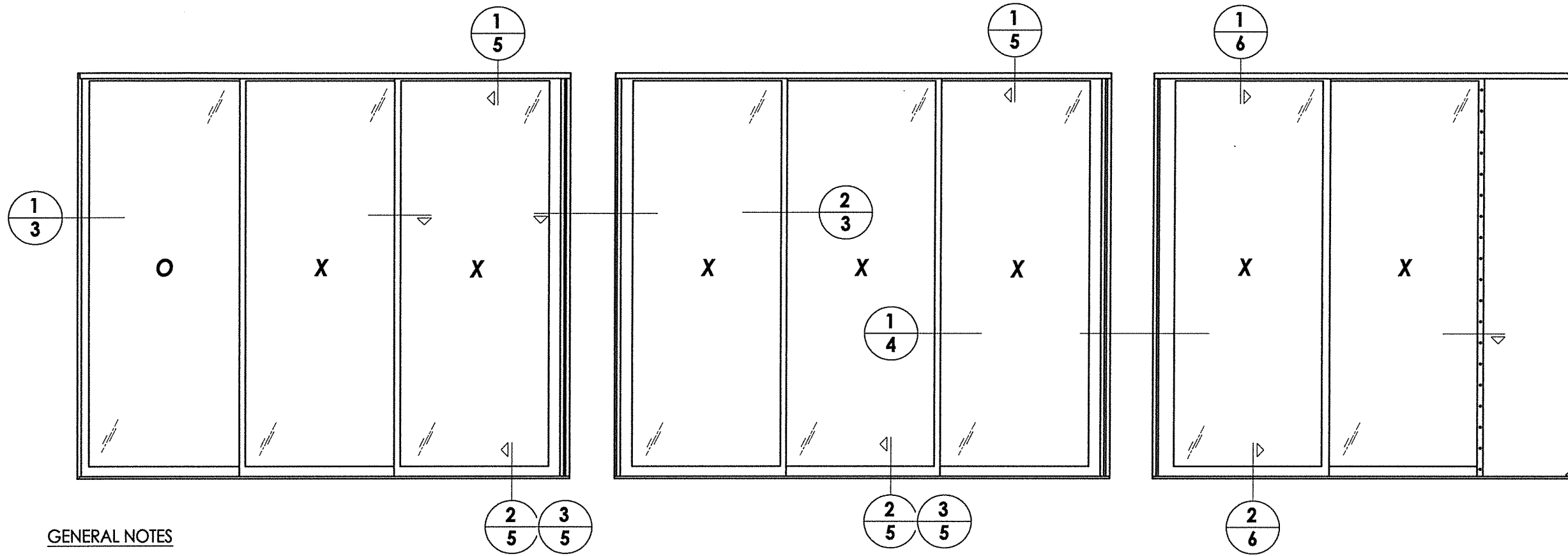
Note: 3 + 3 + 2 Panels shown, however, any combination of fixed and operable panels is allowed. There is not a limit on the number of panels. In addition, panels may be combined w/ 90° up to 135° outside corners as necessary.



August 10, 2020
Documents Prepared By:
Lyndon F. Schmidt
P.E. No. 43409

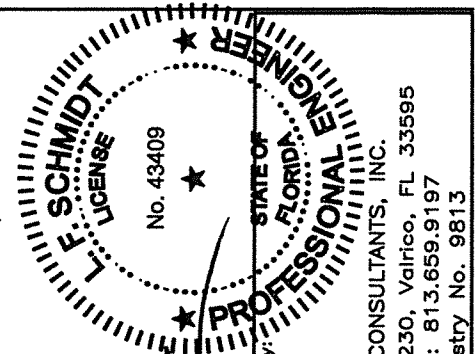
R.W. BUILDING CONSULTANTS, INC.
P.O. Box 230, Valrico, FL 33595
Phone No.: 813.659.9197
FBPE Registry No. 9813

PRODUCT:		FLEETWOOD WINDOWS & DOORS	
PART OR ASSEMBLY:		TYPICAL ELEVATION, DESIGN PRESSURES & GENERAL NOTES	
NO.	DATE	BY	REVISIONS
2	8/10/20	DAC	UPDATE TO 7TH ED. (2020) FBC
1	08/08/17	LFS	UPDATE TO 6TH ED. (2017) FBC
DATE: 03/10/16			
SCALE: N.T.S.			
DWG. BY: JK			
CHK. BY: LFS			
DRAWING NO.: FL-15560.18			
SHEET 1 OF 11			



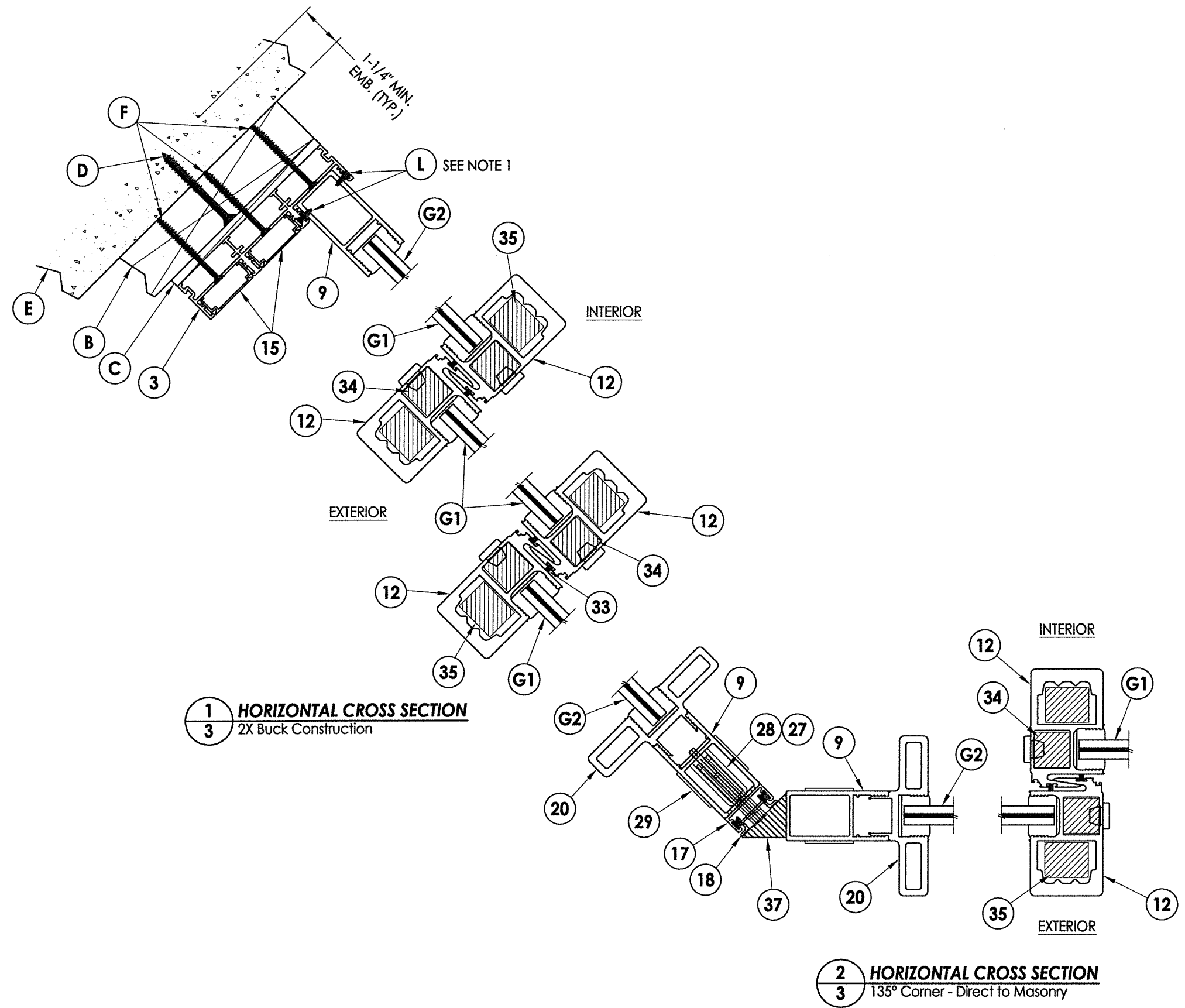
GENERAL NOTES

1. This product has been evaluated and is in compliance with the 7th Edition (2020) Florida Building Code (FBC) structural requirements including the "High Velocity Hurricane Zone" (HVHZ).
2. Product anchors shall be as listed and spaced as shown on details. Anchor embedment to base material shall be beyond wall dressing or stucco.
3. When used in the "HVHZ" this product complies with Section 1626 of the Florida Building Code and does not require an impact resistant covering.
4. When used in areas outside of the "HVHZ" requiring wind borne debris protection, this product complies with FBC Sections 1609.1.2 & R301.2.1.2 and does not require an impact resistant covering. This product meets missile level "D" and includes Wind Zone 4 as defined in ASTM E 1996 and FBC Sections 1609.1.2.2 & R301.2.1.2.1.
5. For 2x stud framing construction, anchoring of these units shall be the same as that shown for 2x buck masonry construction.
6. Site conditions that deviate from the details of this drawing require further engineering analysis by a licensed engineer or registered architect.
7. This product meets water infiltration requirements for "HVHZ".
8. Aluminum components, including fasteners, shall meet the requirements of FBC Section 2003.
9. Gaskets shall comply with FBC Section 2411.3.4.

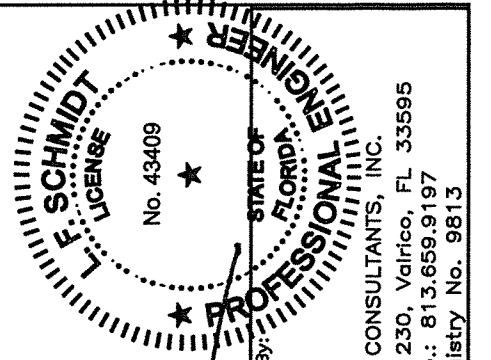


August 10, 2020
 Documents Prepared By:
 Lyndon F. Schmidt
 P.E. No. 43409
RW
 BUILDING CONSULTANTS, INC.
 P.O. Box 230, Vairico, FL 33595
 Phone No.: 813.659.9197
 FBPE Registry No. 9813

PRODUCT:		FLEETWOOD WINDOWS & DOORS	
PART OR ASSEMBLY:		GENERAL NOTES & ELEVATION	
NO.	DATE	REVISIONS	BY
2	8/10/20	UPDATE TO 7th ED. (2020) FBC	DAC
1	08/08/17	UPDATE TO 6TH ED. (2017) FBC	LFS
DATE: 03/10/16			
SCALE: N.T.S.			
DWG. BY: JK			
CHK. BY: LFS			
DRAWING NO.: FL-15560.18			
SHEET 2 OF 11			



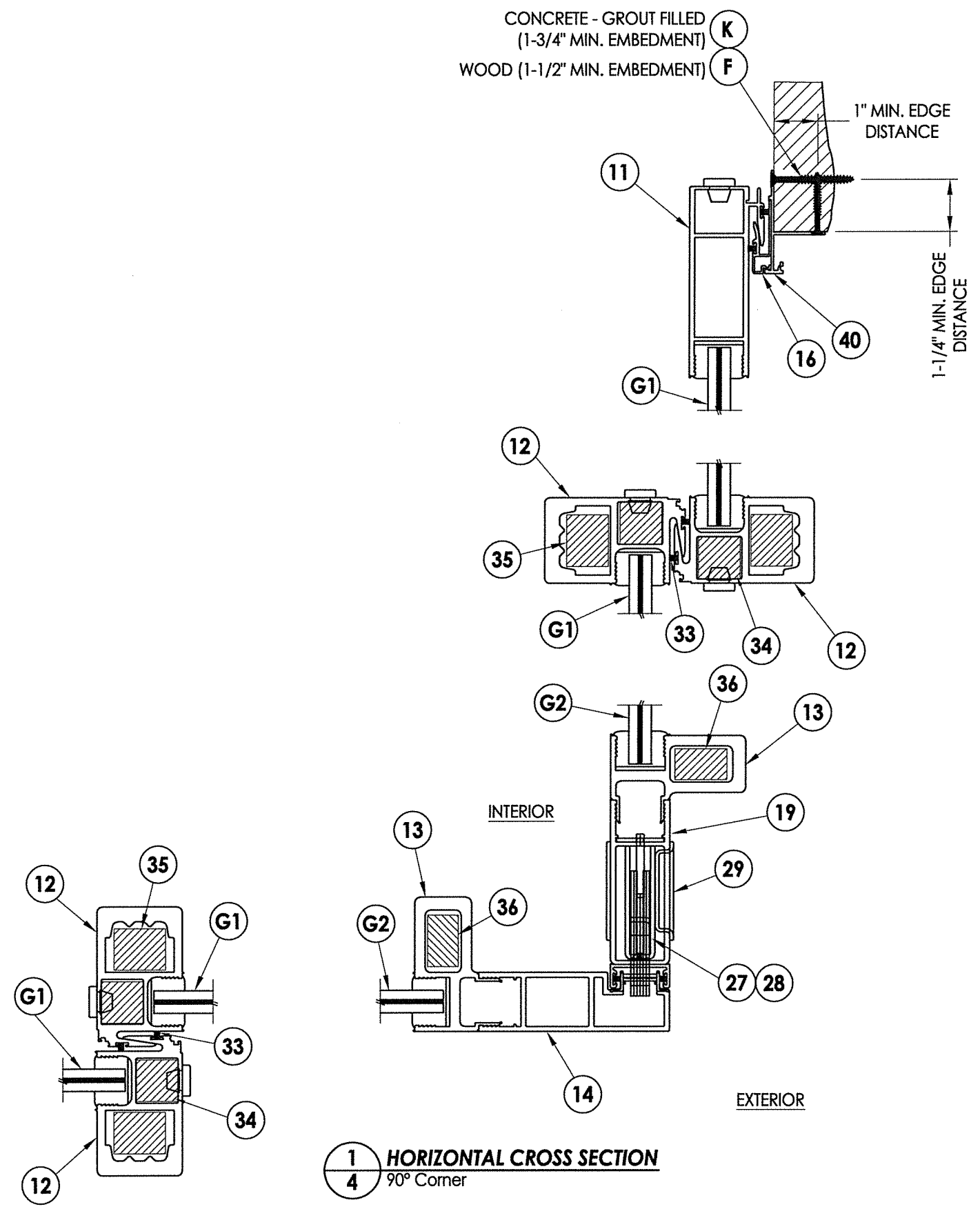
NOTE:
1. Fixed panel screws located 39" from each end.



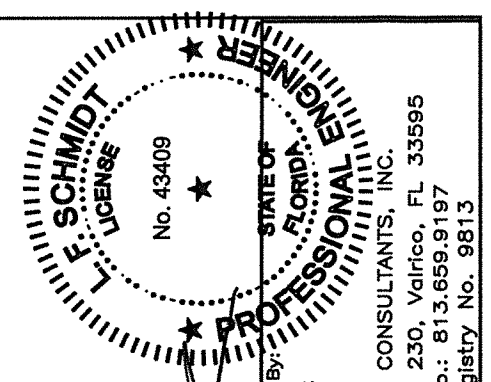
August 10, 2020
 Documents Prepared By:
 Lyndon F. Schmidt
 P.E. No. 43409

RW BUILDING CONSULTANTS, INC.
 P.O. Box 230, Valrico, FL 33595
 Phone No.: 813.659.9197
 FBPE Registry No. 9813

PRODUCT:		FLEETWOOD WINDOWS & DOORS	
PART OR ASSEMBLY:		HORIZONTAL CROSS SECTIONS	
NO.	DATE	REVISIONS	BY
2	8/10/20	UPDATE TO 7th ED. (2020)	FBC
1	08/08/17	UPDATE TO 6TH ED. (2017)	FBC
DATE: 03/10/16			
SCALE: N.T.S.			
DWG. BY: JK			
CHK. BY: LFS			
DRAWING NO.: FL-15560.18			
SHEET 3 OF 11			



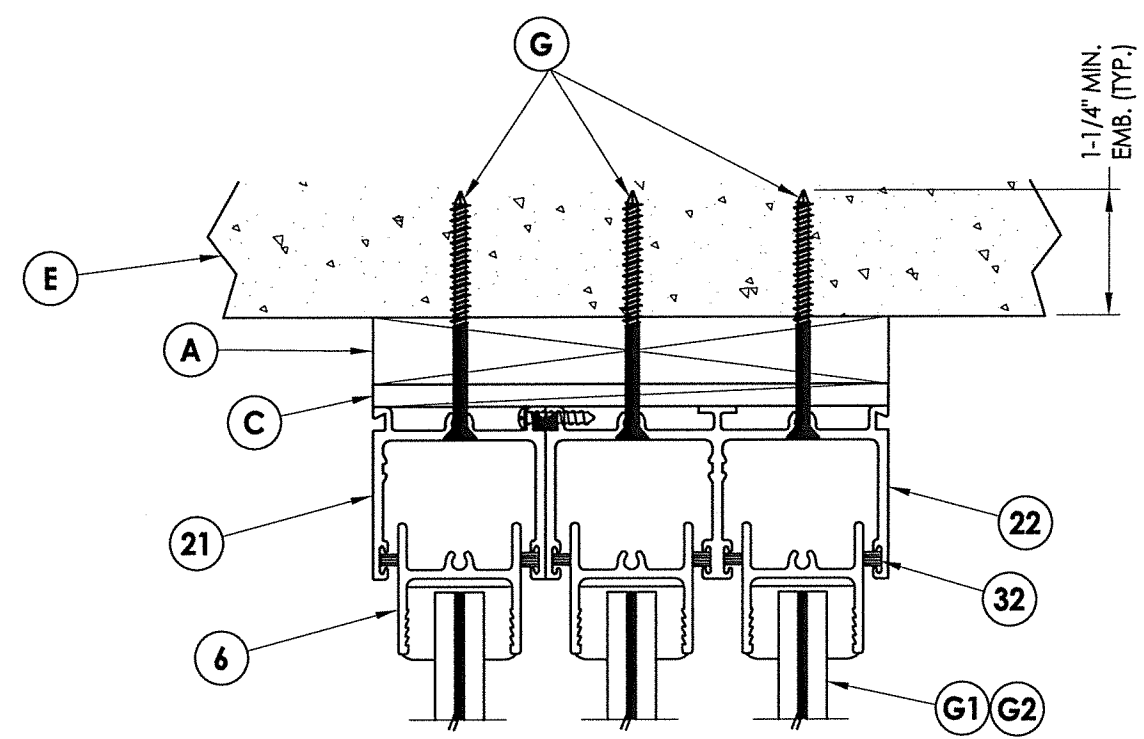
1 HORIZONTAL CROSS SECTION
4 90° Corner



August 10, 2020
 Documents Prepared By:
 Lyndon F. Schmidt
 P.E. No. 43409
 RW BUILDING CONSULTANTS, INC.
 P.O. Box 230, Vairco, FL 33595
 Phone No.: 813.659.9197
 FBPE Registry No. 9813

PRODUCT:		FLEETWOOD WINDOWS & DOORS	
PART OR ASSEMBLY:		HORIZONTAL CROSS SECTIONS	
NO.	DATE	BY	REVISIONS
2	8/10/20	DAC	UPDATE TO 7th ED. (2020) FBC
1	08/08/17	LFS	UPDATE TO 6TH ED. (2017) FBC
DATE: 03/10/16			
SCALE: N.T.S.			
DWG. BY: JK			
CHK. BY: LFS			
DRAWING NO.: FL-15560.18			
SHEET 4 OF 11			

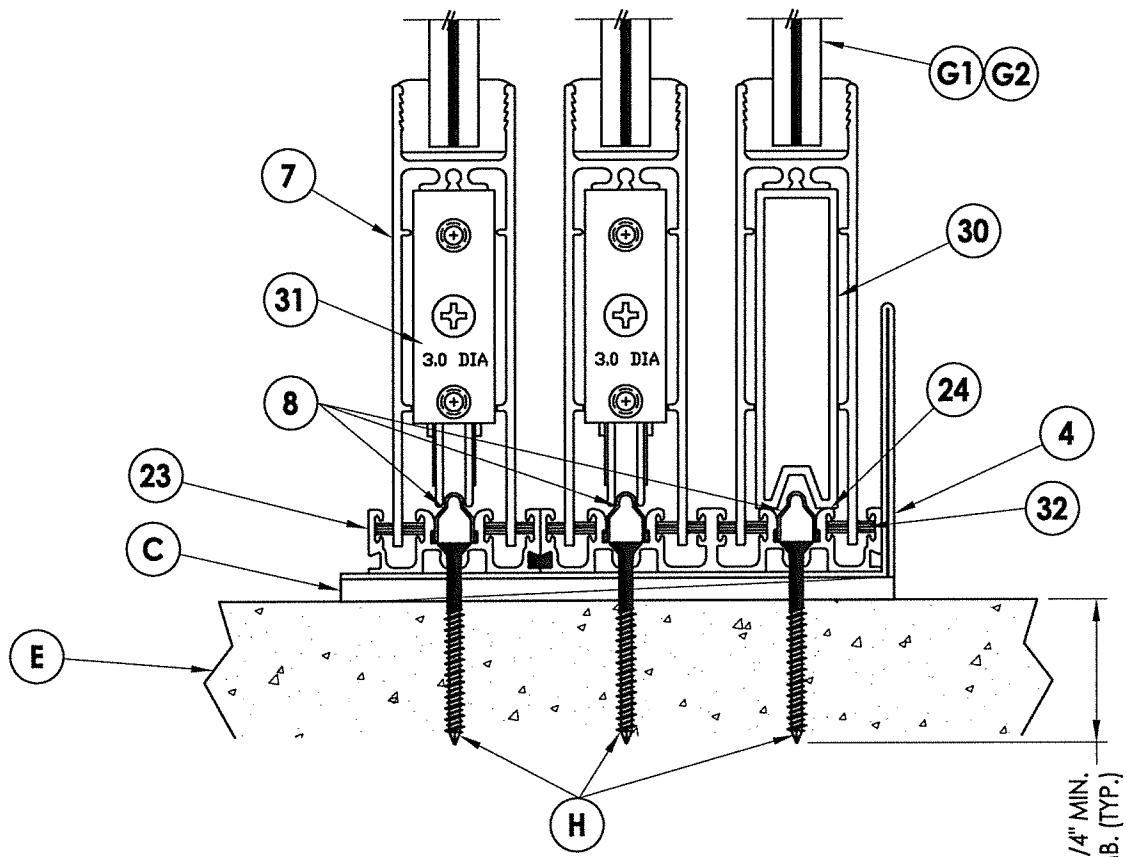
\\dc01\pwb\clients\Fleetwood PERMANENT A - Florida Product Approvals\FL-15560 (2020)\FL-15560.17-18.dwg



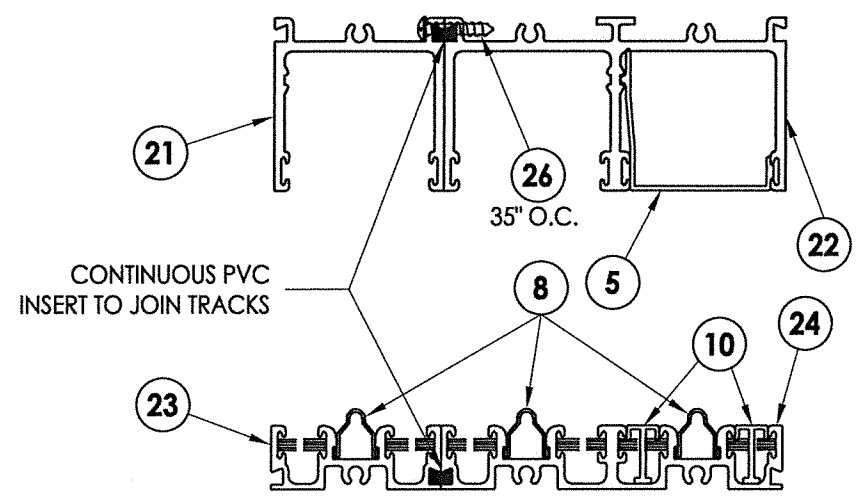
1 VERTICAL CROSS SECTION
5 1X Buck Construction

EXTERIOR

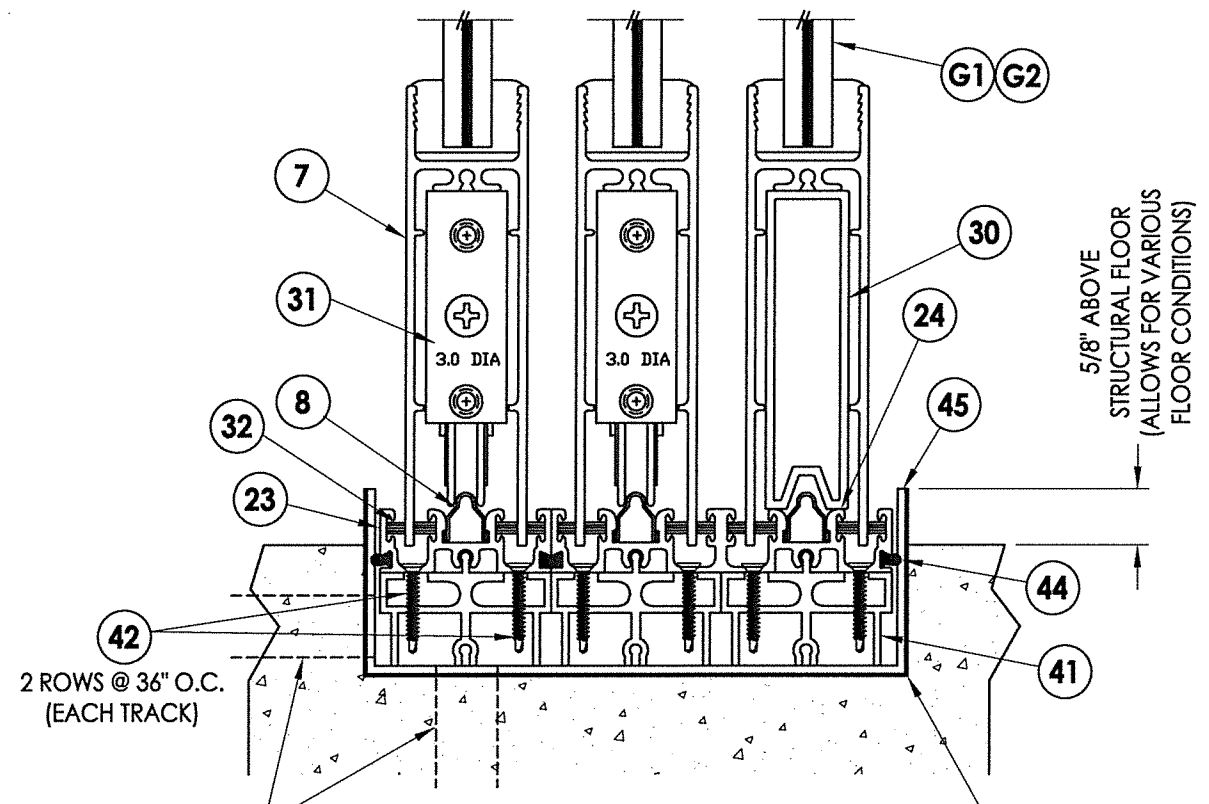
INTERIOR



2 VERTICAL CROSS SECTION
5 Direct to masonry



HEAD & SILL COVER CONDITION



3 VERTICAL CROSS SECTION
5 Sub-Sill anchorage

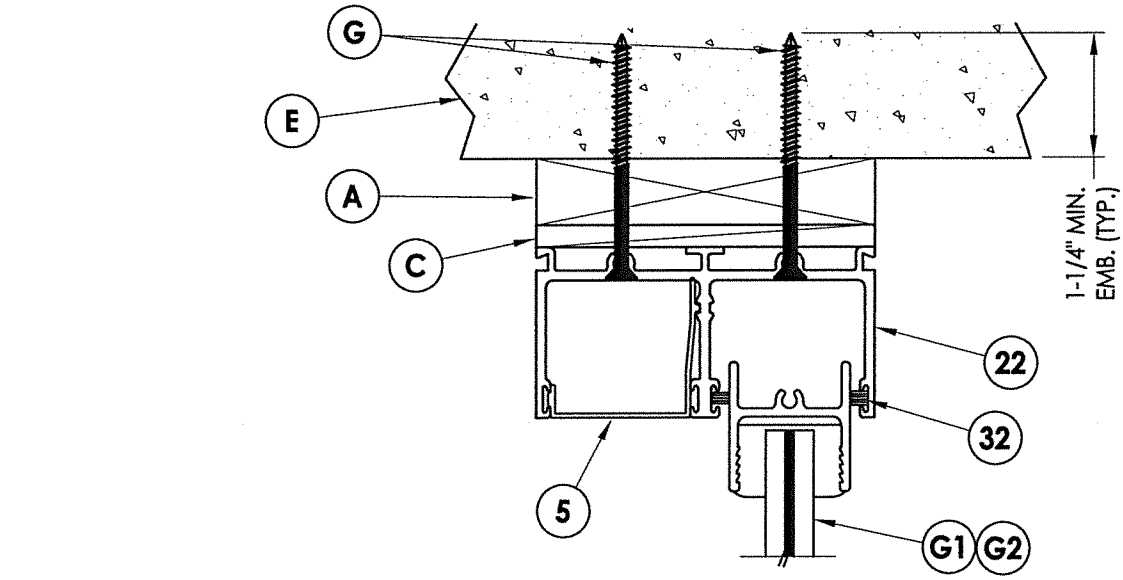
SILL TRACK INSERTED INTO FINISHED FLOOR. THE DESIGN OF THE SUBSTRATE TO WITHSTAND WIND LOADS IS THE RESPONSIBILITY OF THE ARCHITECT OR ENGINEER OF RECORD.

- NOTES:
1. A full-depth cut-out (1" wide x 3/16" tall) in track base is necessary to allow for water drainage (6" from each end and 60" o.c.).
 2. For Sub-sill, provide bottom or side drain, 1" NPT, for water drainage (8" from each end and 60" o.c.). Drainage system design by others.

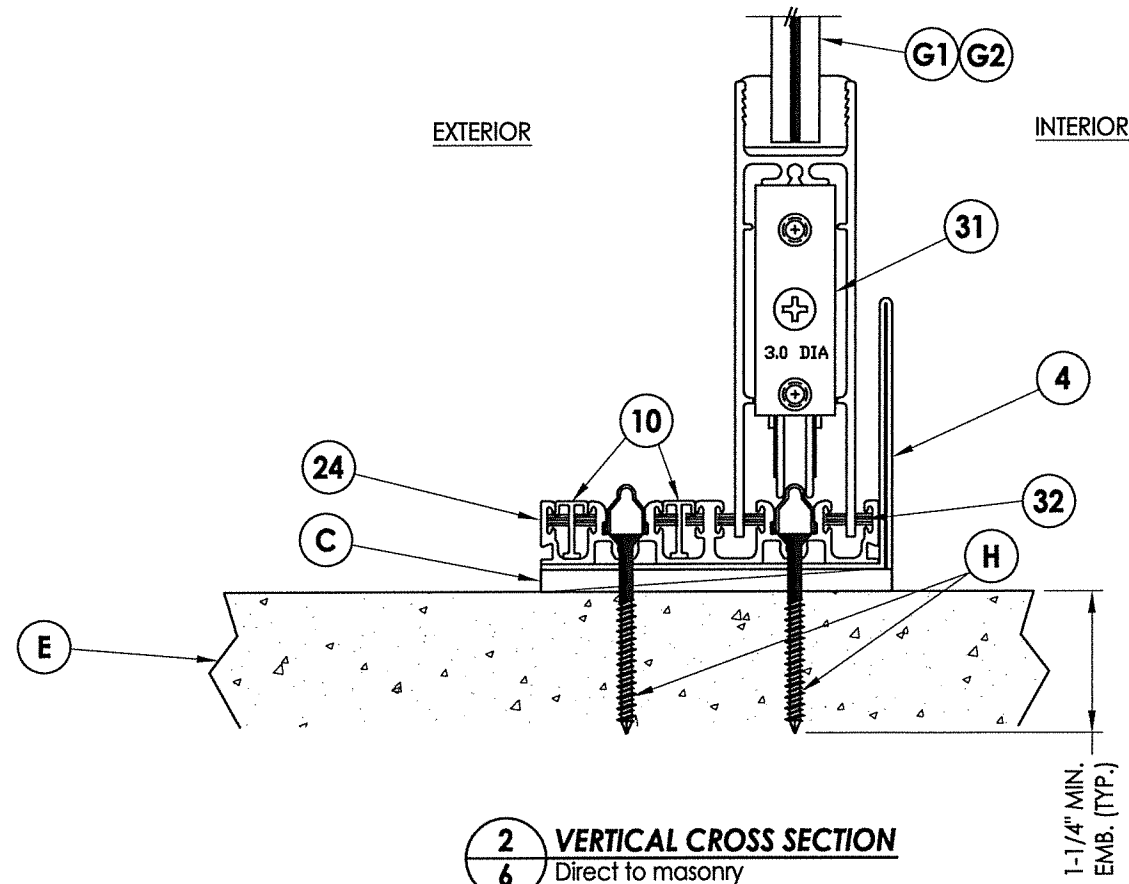
August 10, 2020
 Documents Prepared By: Lyndon F. Schmidt
 P.E. No. 43409
 R.W. BUILDING CONSULTANTS, INC.
 P.O. Box 230, Valrico, FL 33595
 Phone No.: 813.659.9197
 FBPE Registry No. 9813

FLORIDA PROFESSIONAL ENGINEER
 L. F. SCHMIDT
 LICENSE No. 43409

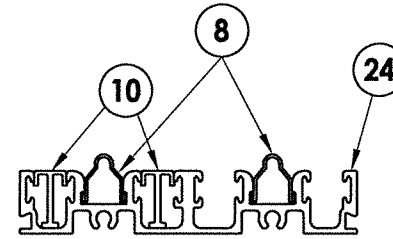
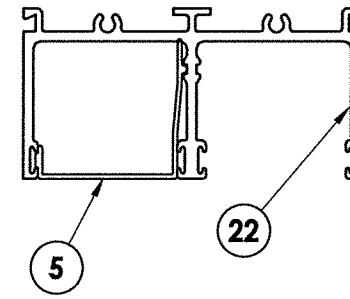
PRODUCT:	FLEETWOOD WINDOWS & DOORS	
PART OR ASSEMBLY:	VERTICAL CROSS SECTIONS	
DATE:	03/10/16	
SCALE:	N.T.S.	
DWG. BY:	JK	
CHK. BY:	LFS	
DRAWING NO.:	FL-15560.18	
SHEET	5 OF 11	
NO.	DATE	BY
2	8/10/20	DAC
1	08/08/17	FBC
REVISIONS		



1 VERTICAL CROSS SECTION
6 1X Buck Construction



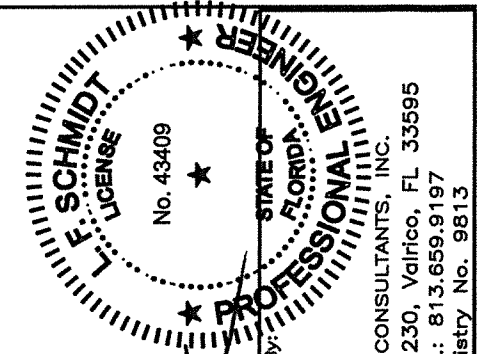
2 VERTICAL CROSS SECTION
6 Direct to masonry



HEAD & SILL COVER CONDITION

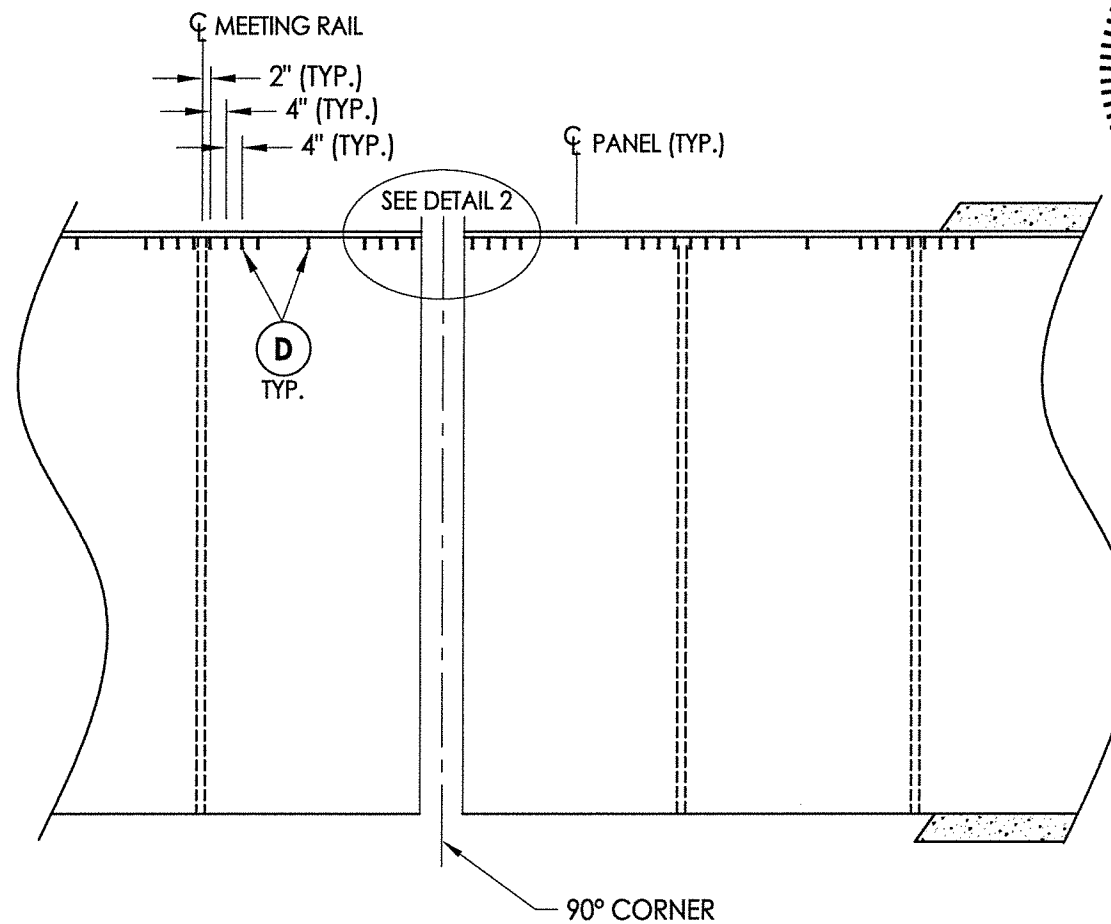
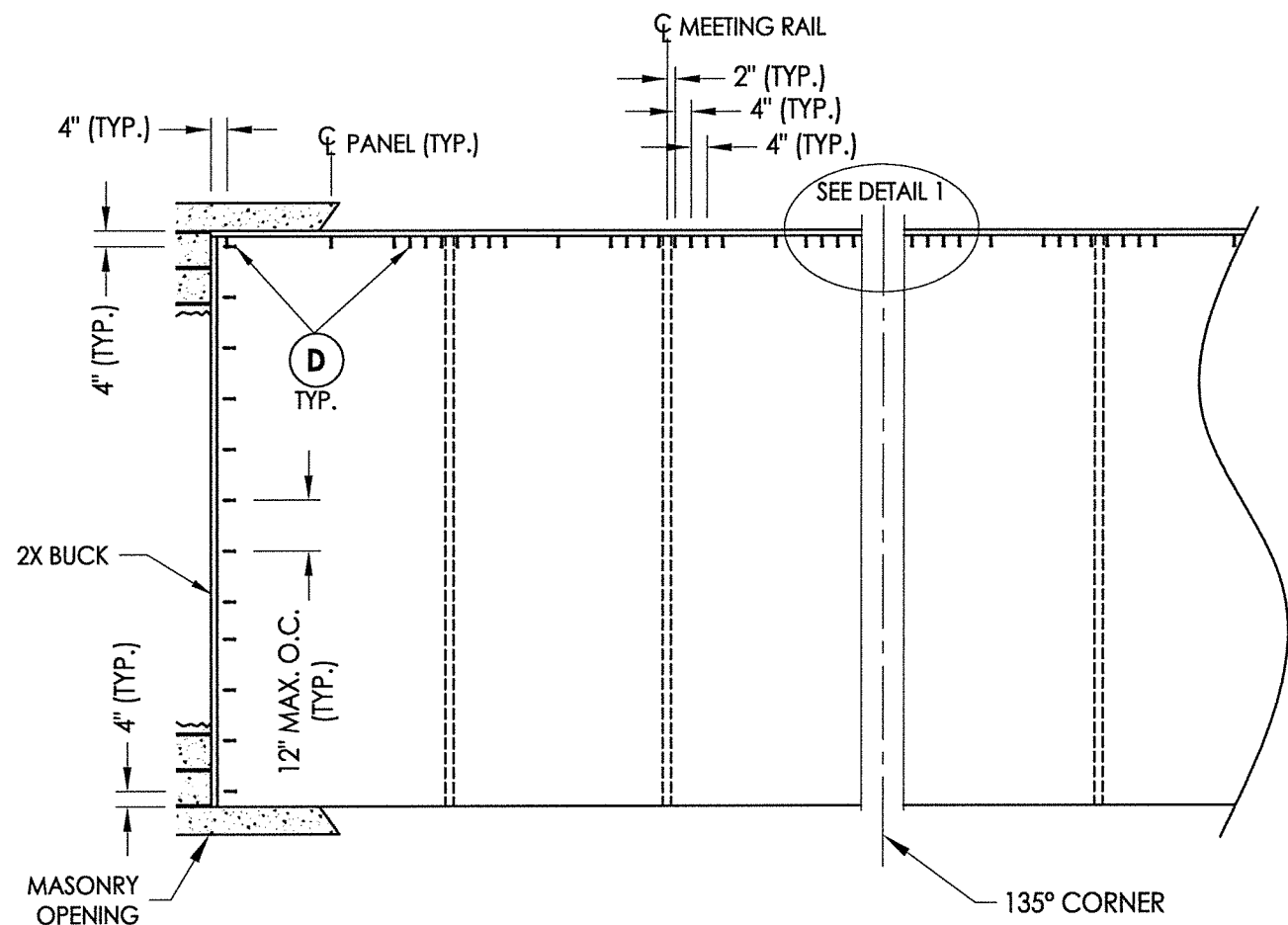
NOTE:

1. A full-depth cut-out (1" wide x 3/16" tall) in track base is necessary to allow for water drainage (6" from each end and 60" o.c.).

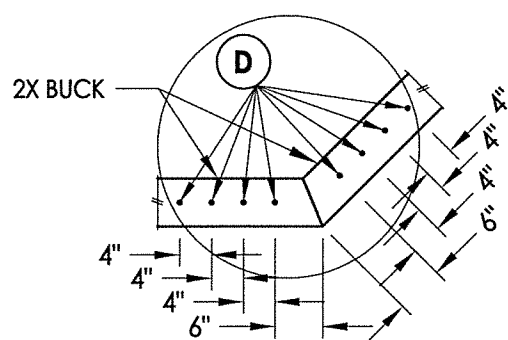


August 10, 2020
 Documents Prepared By:
 Lyndon F. Schmidt
 P.E. No. 43409
 R.W. BUILDING CONSULTANTS, INC.
 P.O. Box 230, Valrico, FL 33595
 Phone No.: 813.659.9197
 FBPE Registry No. 9813

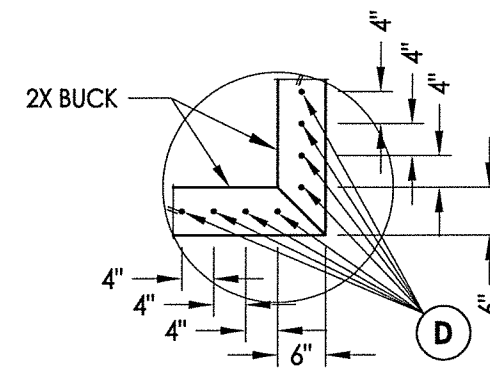
PRODUCT:		FLEETWOOD WINDOWS & DOORS	
PART OR ASSEMBLY:		VERTICAL CROSS SECTIONS	
NO.	DATE	BY	REVISIONS
2	8/10/20	DAC	UPDATE TO 7th ED. (2020) FBC
1	08/08/17	LFS	UPDATE TO 6TH ED. (2017) FBC
DATE: 03/10/16			
SCALE: N.T.S.			
DWG. BY: JK			
CHK. BY: LFS			
DRAWING NO.: FL-15560.18			
SHEET 6 OF 11			



2X BUCK ANCHORING



DETAIL 1
135° Corner

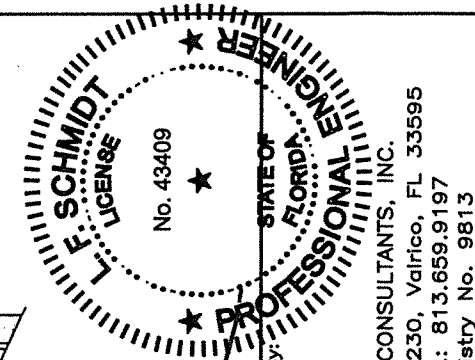


DETAIL 2
90° Corner

CONCRETE ANCHOR NOTES:

- Concrete anchor locations at the corners may be adjusted to maintain the min. edge distance to mortar joints.
- Concrete anchor locations noted as "MAX. ON CENTER" must be adjusted to maintain the min. edge distance to mortar joints, additional concrete anchors may be required to ensure the "MAX. ON CENTER" dimension are not exceeded.
- Concrete anchor table:

ANCHOR TYPE	ANCHOR SIZE	MIN. EMBEDMENT	MIN. CLEARANCE TO MASONRY EDGE	MIN. CLEARANCE TO ADJACENT ANCHOR
ITW TAPCON®	1/4"	1-1/4"	2"	4"
DeWALT ULTRACON®	1/4"	1-1/4"	2-1/2"	4"



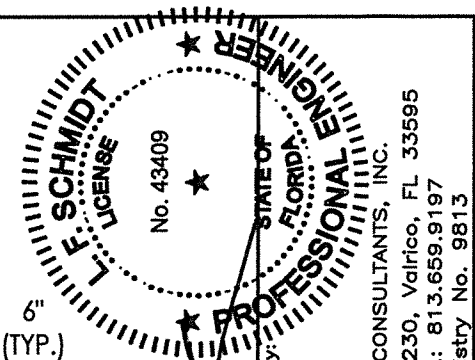
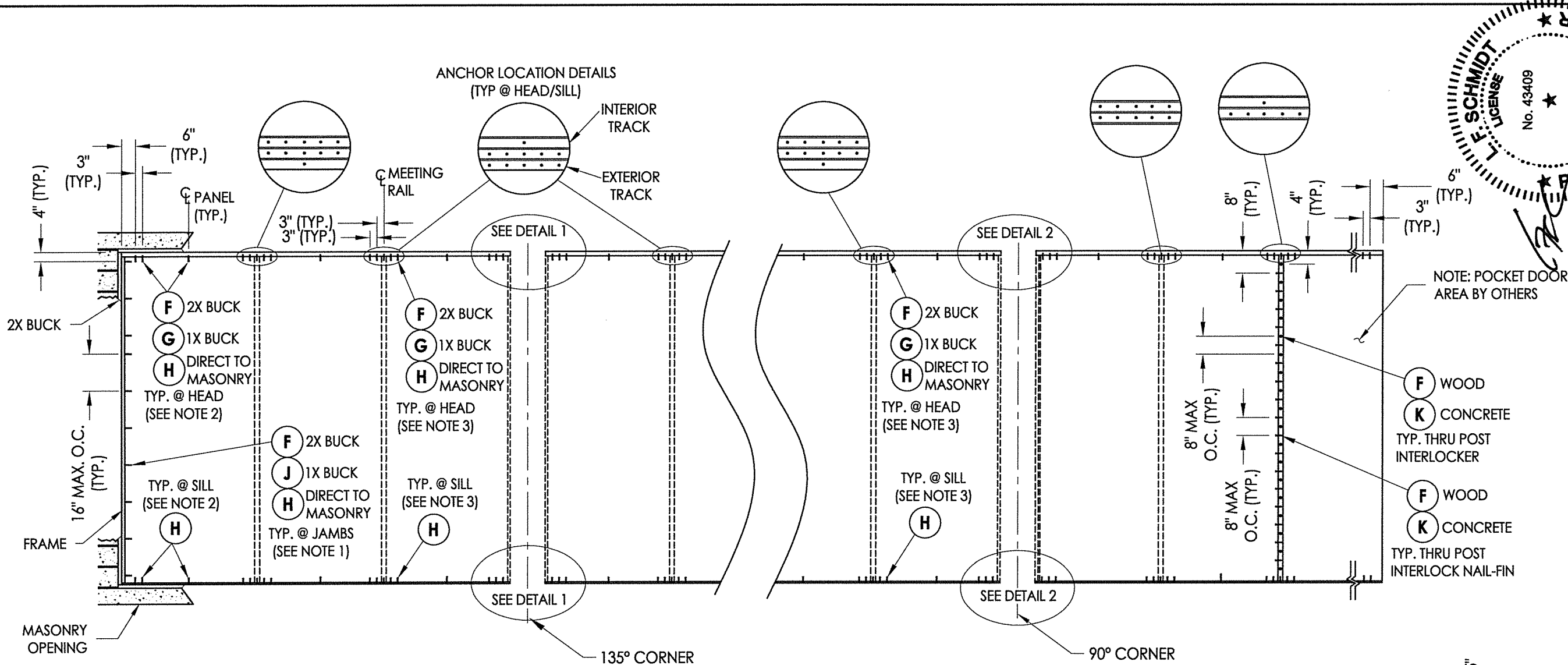
August 10, 2020
 Documents Prepared By:
 Lyndon F. Schmidt
 P.E. No. 43409
 R.W. BUILDING CONSULTANTS, INC.
 P.O. Box 230, Valrico, FL 33595
 Phone No.: 813.659.9197
 FBPE Registry No. 9813

PRODUCT:	FLEETWOOD WINDOWS & DOORS
PART OR ASSEMBLY:	BUCK ANCHORING

NO.	DATE	BY	REVISIONS
2	8/10/20	FBC	UPDATE TO 7TH ED. (2020)
1	08/08/17	FBC	UPDATE TO 6TH ED. (2017)

DATE:	03/10/16
SCALE:	N.T.S.
DWG. BY:	JK
CHK. BY:	LFS
DRAWING NO.:	FL-15560.18
SHEET	7 OF 11

\\dc01\wbc\clients\Fleetwood PERMANENTVA - Florida Product Approvals\FL-15560 Sliding Patio Doors\C - Drawings\FL 15560 (2020)\FL-15560.17-18.dwg



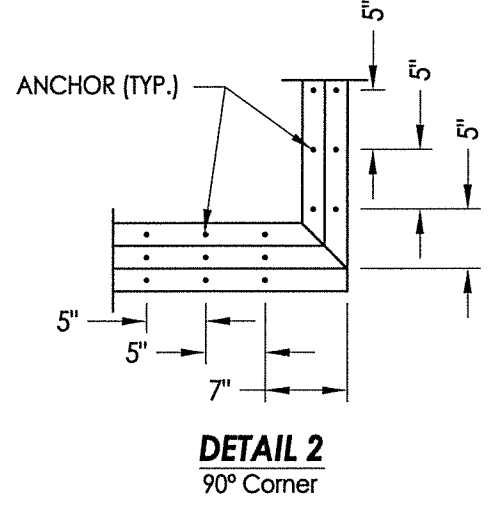
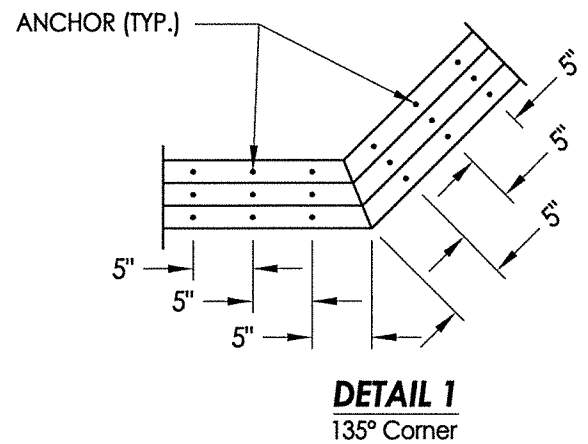
August 10, 2020
 Documents Prepared By:
 Lyndon F. Schmidt
 P.E. No. 43409
 RW BUILDING CONSULTANTS, INC.
 P.O. Box 230, Valrico, FL 33595
 Phone No.: 813.659.9197
 FBPE Registry No. 9813

PRODUCT:	FLEETWOOD WINDOWS & DOORS
PART OR ASSEMBLY:	FRAME ANCHORING

NO.	DATE	BY	REVISIONS
2	8/10/20	DAC	UPDATE TO 7TH ED. (2020) FBC
1	08/08/17	LFS	UPDATE TO 6TH ED. (2017) FBC

DATE:	03/10/16
SCALE:	N.T.S.
DWG. BY:	JK
CHK. BY:	LFS
DRAWING NO.:	FL-15560.18
SHEET	8 OF 11

FRAME ANCHORING



CONCRETE ANCHOR NOTES:

- Concrete anchor locations at the corners may be adjusted to maintain the min. edge distance to mortar joints.
- Concrete anchor locations noted as "MAX. ON CENTER" must be adjusted to maintain the min. edge distance to mortar joints, additional concrete anchors may be required to ensure the "MAX. ON CENTER" dimension are not exceeded.
- Concrete anchor table:

ANCHOR TYPE	ANCHOR SIZE	MIN. EMBEDMENT	MIN. CLEARANCE TO MASONRY EDGE	MIN. CLEARANCE TO ADJACENT ANCHOR
ITW TAPCON®	3/16"	1-1/4"	2"	1-7/8"
DeWALT ULTRACON®	1/4"	1-1/4"	1-1/4"	6"

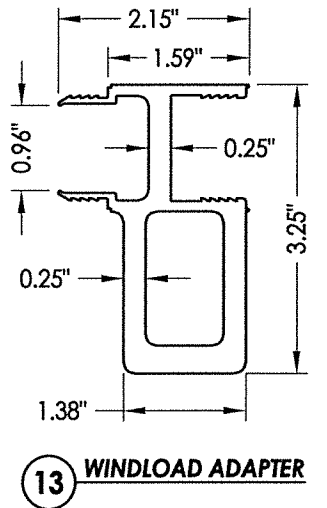
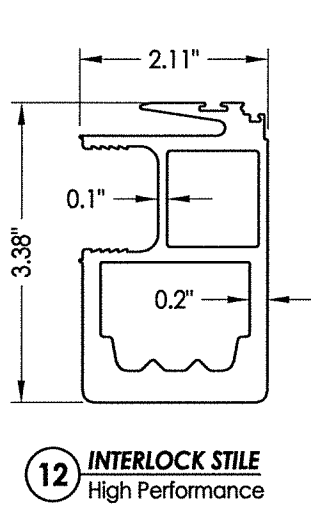
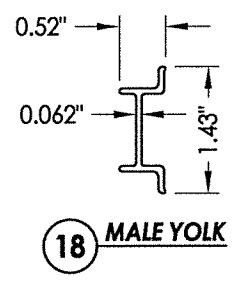
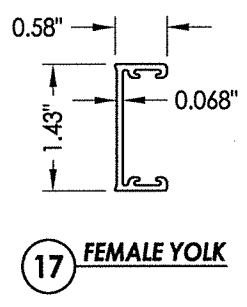
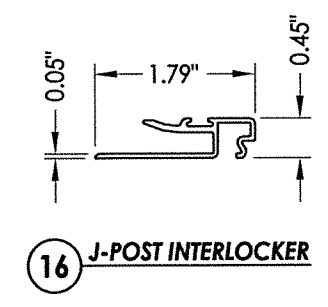
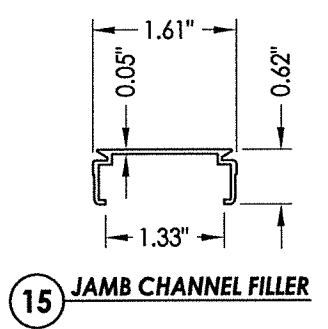
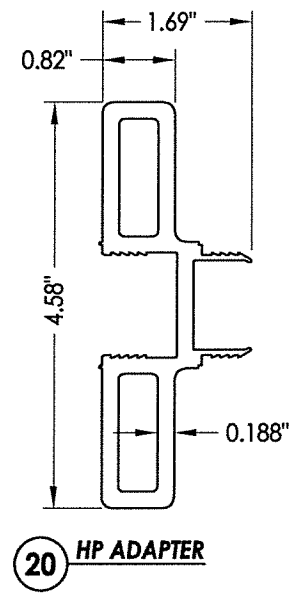
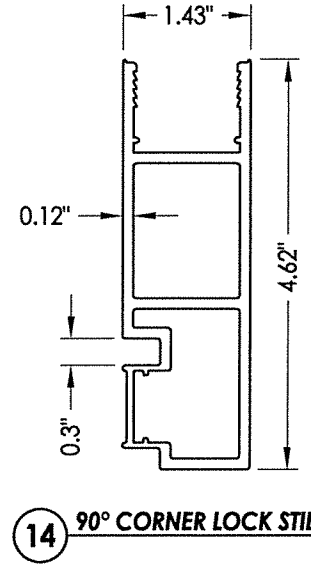
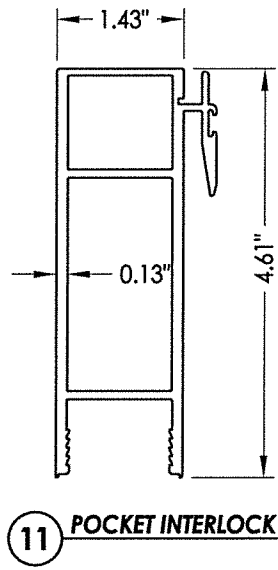
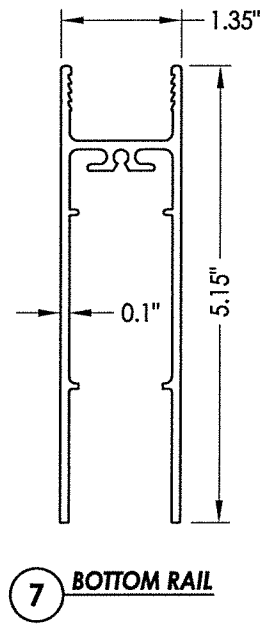
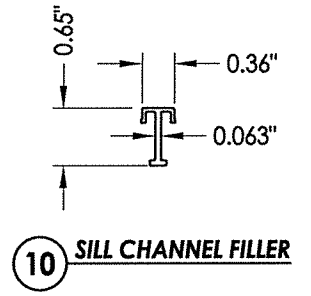
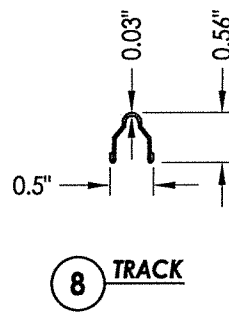
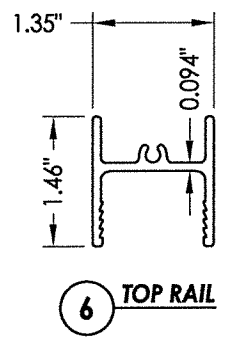
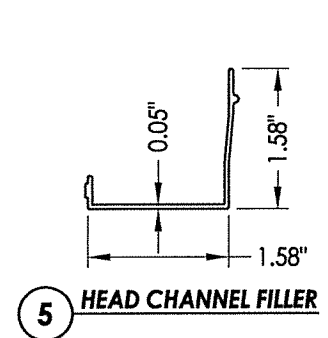
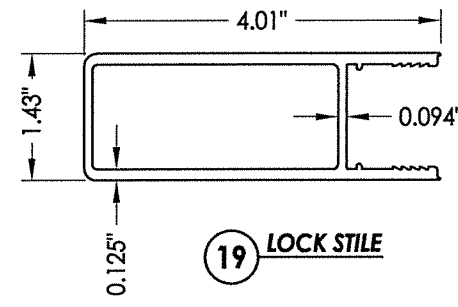
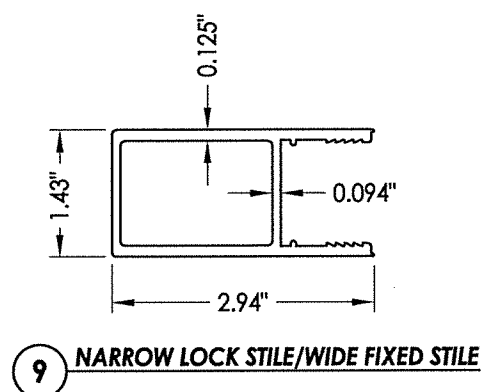
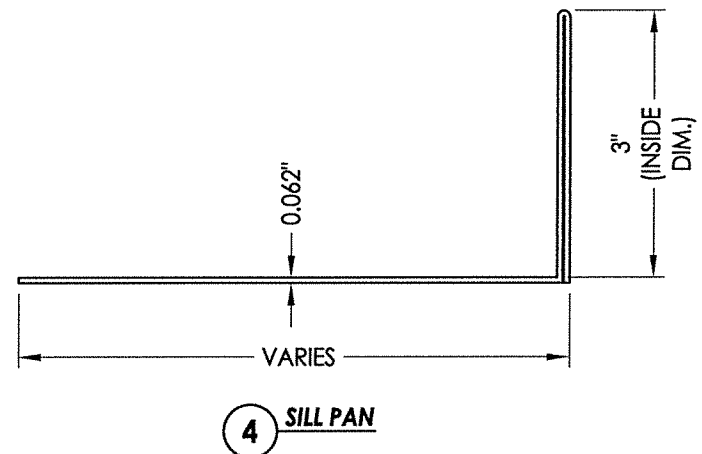
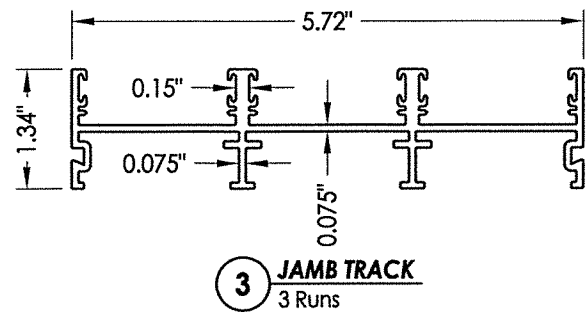
WOOD SCREW INSTALLATION NOTES:

- Maintain a minimum 3/4" edge distance, 1" end distance, & 1" o.c. spacing of wood screws to prevent the splitting of wood.

ANCHOR LOCATION NOTES:

- JAMBS (@ EACH LOCATION): 1 ANCHOR REQUIRED PER TRACK
- HEAD/SILL (@ EACH END/CENTERLINE OF PANEL): 1 ANCHOR REQUIRED PER TRACK
- HEAD/SILL (@ MEETING RAILS): SEE DETAILS FOR ANCHORS REQUIRED PER TRACK

\\dc01\rbw\clients\Fleetwood PERMANENTVA - Florida Product Approvals\FL-15560 Sliding Patio Doors\C - Drawings\FL 15560 (2020)\FL-15560.17-18.dwg

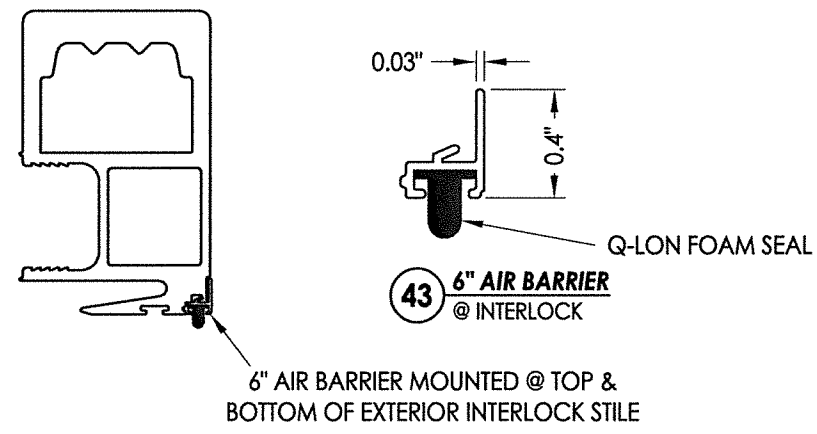
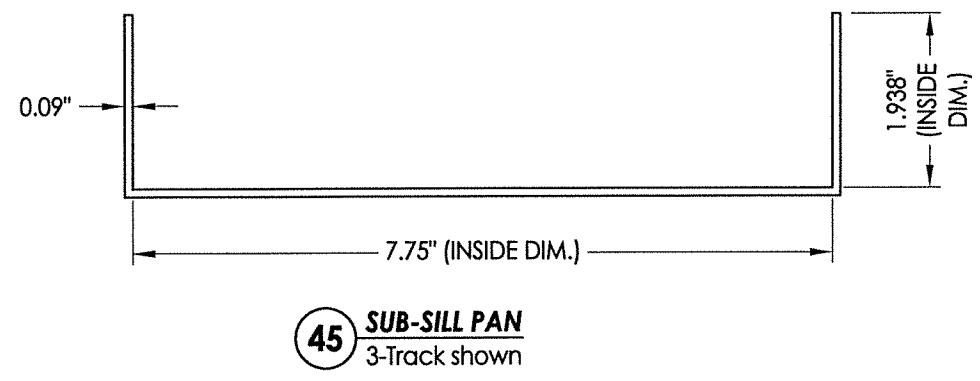
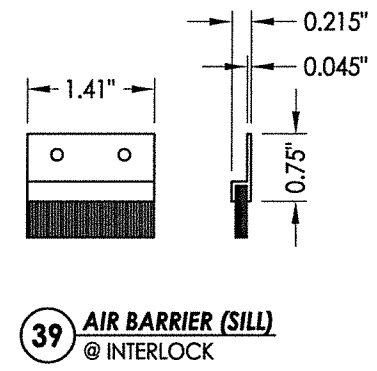
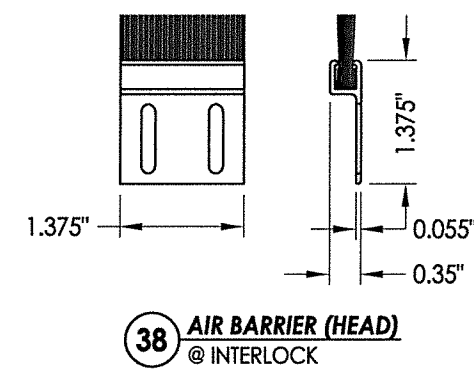
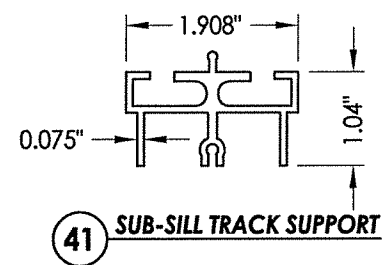
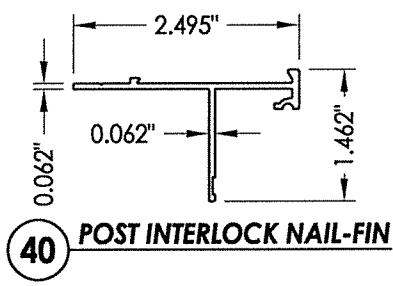
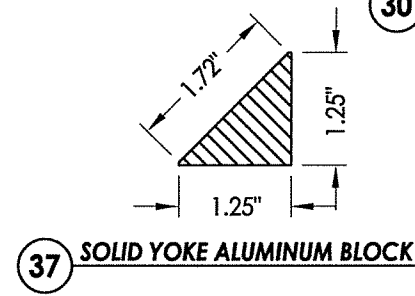
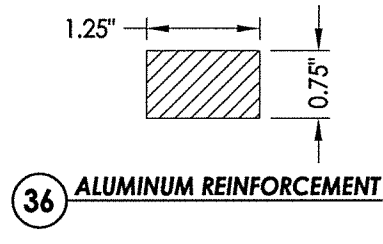
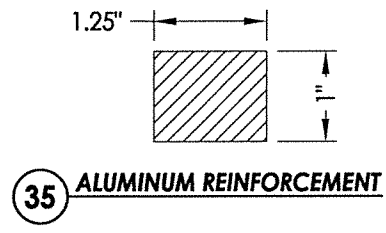
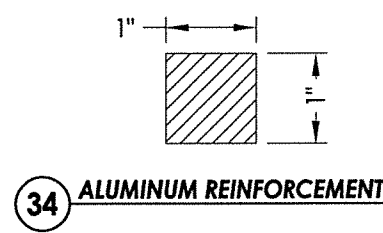
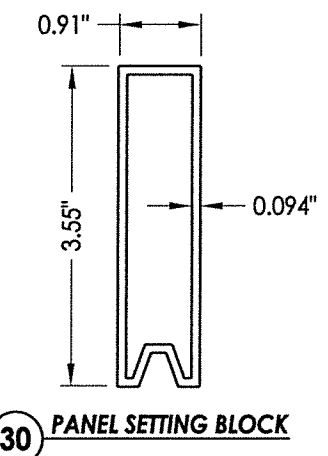
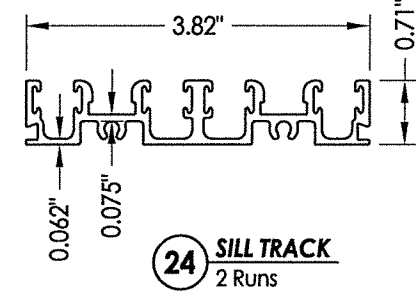
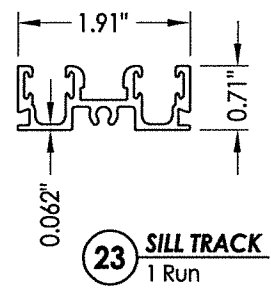
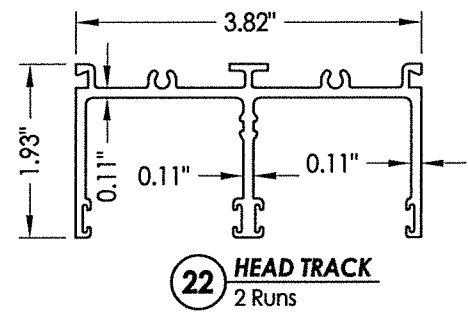
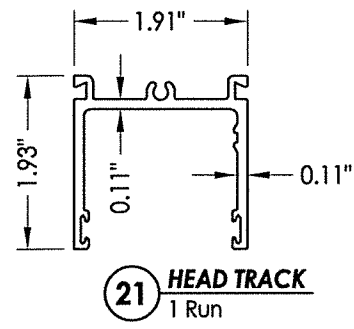


August 10, 2020
 Documents Prepared By: Lyndon F. Schmidt
 P.E. No. 43409

FLORIDA PROFESSIONAL ENGINEER
 F. SCHMIDT
 LICENSE No. 43409

RW BUILDING CONSULTANTS, INC.
 P.O. Box 230, Vairlico, FL 33595
 Phone No.: 813.659.9197
 FBPE Registry No. 9813

PRODUCT: FLEETWOOD WINDOWS & DOORS		PART OR ASSEMBLY: COMPONENTS	
DATE: 03/10/16	SCALE: N.T.S.	DWG. BY: JK	CHK. BY: LFS
DRAWING NO.: FL-15560.18		SHEET 9 OF 11	
REVISIONS		NO. DATE	
2	8/10/20	UPDATE TO 7th ED. (2020)	FBC
1	08/08/17	UPDATE TO 6TH ED. (2017)	FBC



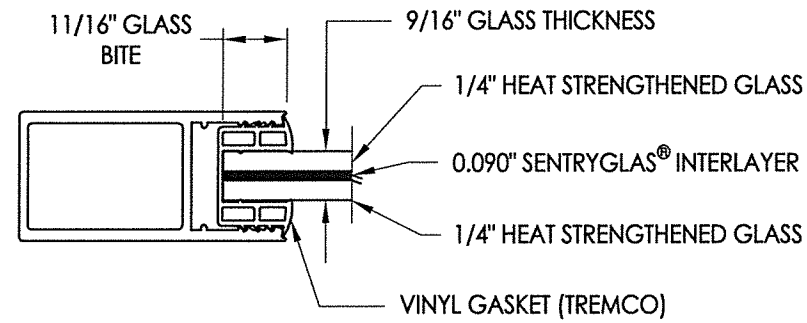
August 10, 2020
 Documents Prepared By:
 Lyndon F. Schmidt
 P.E. No. 43409
 R.W. BUILDING CONSULTANTS, INC.
 P.O. Box 230, Valrico, FL 33595
 Phone No.: 813.659.9197
 FBPE Registry No. 9813

PRODUCT:		FLEETWOOD WINDOWS & DOORS	
PART OR ASSEMBLY:		COMPONENTS	
NO.	DATE	BY	REVISIONS
2	8/10/20	DAC	UPDATE TO 7th ED. (2020) FBC
1	08/08/17	LFS	UPDATE TO 6TH ED. (2017) FBC
DATE: 03/10/16			
SCALE: N.T.S.			
DWG. BY: JK			
CHK. BY: LFS			
DRAWING NO.: FL-15560.18			
SHEET 10 OF 11			

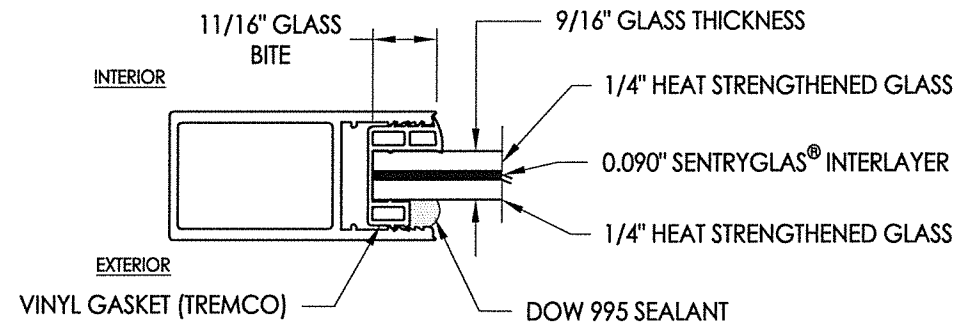
\\dc01\rbw\clients\Fleetwood PERMANENT A - Florida Product Approvals\FL-15560 Sliding Patio Doors\C - Drawings\FL 15560 (2020)\FL-15560.17-18.dwg

BILL OF MATERIALS

ITEM #	DESCRIPTION	MATERIAL
A	1X BUCK SG >= 0.55	WOOD
B	2X BUCK SG >= 0.55	WOOD
C	1/4" MAX. SHIM SPACE	-
D	1/4" X 2-3/4" DeWALT OR ITW PFH CONCRETE SCREW	STEEL
E	MASONRY - 3,000 PSI MIN. CONCRETE CONFORMING TO ACI 301 OR HOLLOW BLOCK CONFORMING TO ASTM C90	CONCRETE
F	#10 X 2-1/2" PFH SMS (1-1/2" MIN. EMBEDMENT)	STEEL
G	3/16" X 2-3/4" ITW PFH CONCRETE SCREW	STEEL
H	3/16" X 2-1/4" ITW PFH CONCRETE SCREW	STEEL
J	3/16" X 3-1/4" ITW PFH CONCRETE SCREW	STEEL
K	1/4" X 2-1/4" DeWALT PFH CONCRETE SCREW	STEEL
L	#8 X 1/2" PFH SMS	STEEL
3	JAMB TRACK (3 RUNS)	6063-T6 ALUM
4	SILL PAN (TRIPLE RUN)	5052 -ALUM
5	HEAD CHANNEL FILLER	6063-T6 ALUM
6	TOP RAIL	6063-T6 ALUM
7	BOTTOM RAIL	6063-T6 ALUM
8	TRACK	S.S.
9	NARROW LOCK STILE/WIDE FIXED STILE	6063-T6 ALUM
10	SILL CHANNEL FILLER	6063-T6 ALUM
11	POCKET INTERLOCK	6063-T6 ALUM
12	HIGH PERFORMANCE INTERLOCK STILE	6063-T6 ALUM
13	WINDLOAD ADAPTER	6063-T6 ALUM
14	90° CORNER LOCK STILE	6063-T6 ALUM
15	JAMB CHANNEL FILLER	6063-T6 ALUM
16	J-POST INTERLOCKER	6063-T6 ALUM
17	FEMALE YOLK	6063-T6 ALUM
18	MALE YOLK	6063-T6 ALUM
19	LOCK STILE	6063-T6 ALUM
20	HIGH PERFORMANCE ADAPTER	6063-T6 ALUM
21	HEAD TRACK (1 RUN)	6063-T6 ALUM
22	HEAD TRACK (2 RUNS)	6063-T6 ALUM
23	SILL TRACK (1 RUN)	6063-T6 ALUM
24	SILL TRACK (2 RUNS)	6063-T6 ALUM
26	#8 X 3/4" PPH SMS	STEEL
27	PRIMARY LATCH	-
28	SECONDARY LATCH	-
29	HANDLE SET	-
30	PANEL SETTING BLOCK	6063-T6 ALUM
31	MAMMOTH ROLLER ASSEMBLY	-
32	SMALL FIN WEATHERSEAL (0.230" AMESBURY)	-
33	LARGE FIN WEATHERSEAL (0.290" AMESBURY)	-
34	1" X 1" ALUMINUM REINFORCEMENT	6061-T6 ALUM
35	1" X 1.25" ALUMINUM REINFORCEMENT	6061-T6 ALUM
36	0.75" X 1.25" ALUMINUM REINFORCEMENT	6061-T6 ALUM
37	SOLID YOKE ALUMINUM BLOCK	6061-T6 ALUM
38	AIR BARRIER (HEAD)	-
39	AIR BARRIER (SILL)	-
40	POST INTERLOCK NAIL-FIN	6063-T6 ALUM
41	SUB-SILL TRACK SUPPORT	6063-T6 ALUM
42	#8 X 1" PFH TEK SCREW	STEEL
43	6" AIR BARRIER (INTERLOCK)	-
44	Q-LON FOAM SEAL	-
45	SUB-SILL PAN	5052 -ALUM



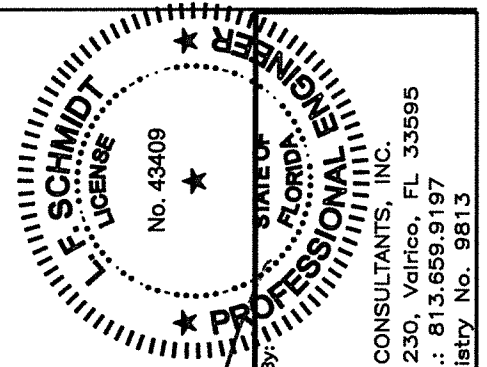
G1 GLAZING DETAIL
Dry Seal



G2 GLAZING DETAIL
Dry/Wet Seal

NOTE: WET GLAZING SEALANT MAY BE APPLIED TO EITHER THE INTERIOR OR EXTERIOR

NOTE: GLAZING > 36" WIDE REQUIRES AT LEAST TWO (2) SETTING BLOCKS CONFORMING TO FBC SECTION 2411.3.3.1.



August 10, 2020
Documents Prepared By:
Lyndon F. Schmidt
P.E. No. 43409

R.W. BUILDING CONSULTANTS, INC.
P.O. Box 230, Vairico, FL 33595
Phone No.: 813.659.9197
FBPE Registry No. 9813

PRODUCT:	FLEETWOOD WINDOWS & DOORS
PART OR ASSEMBLY:	BILL OF MATERIALS & GLAZING DETAILS
DATE:	03/10/16
SCALE:	N.T.S.
DWG. BY:	JK
CHK. BY:	LFS
DRAWING NO.:	FL-15560.18
SHEET	11 OF 11