

MODEL DESIGNATION: Simonton Impact Resistant Fixed Panel Series 06-05 Vinyl Window

MAXIMUM OVERALL NOMINAL SIZE: See Size Chart

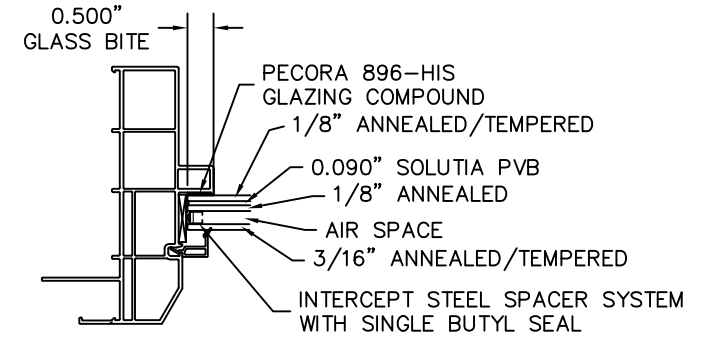
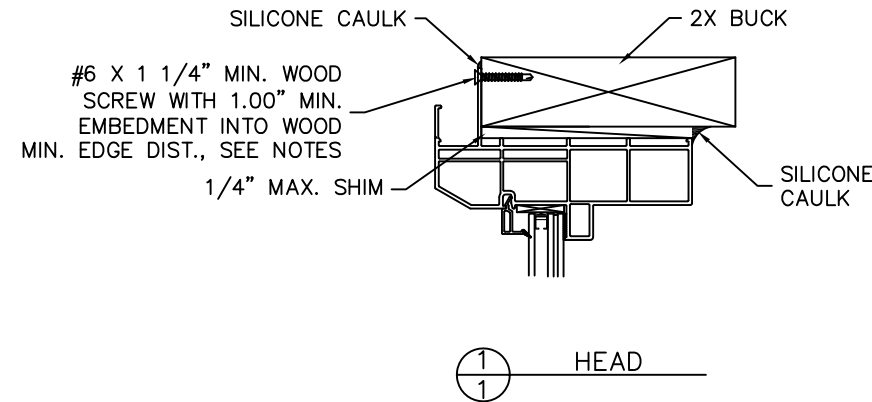
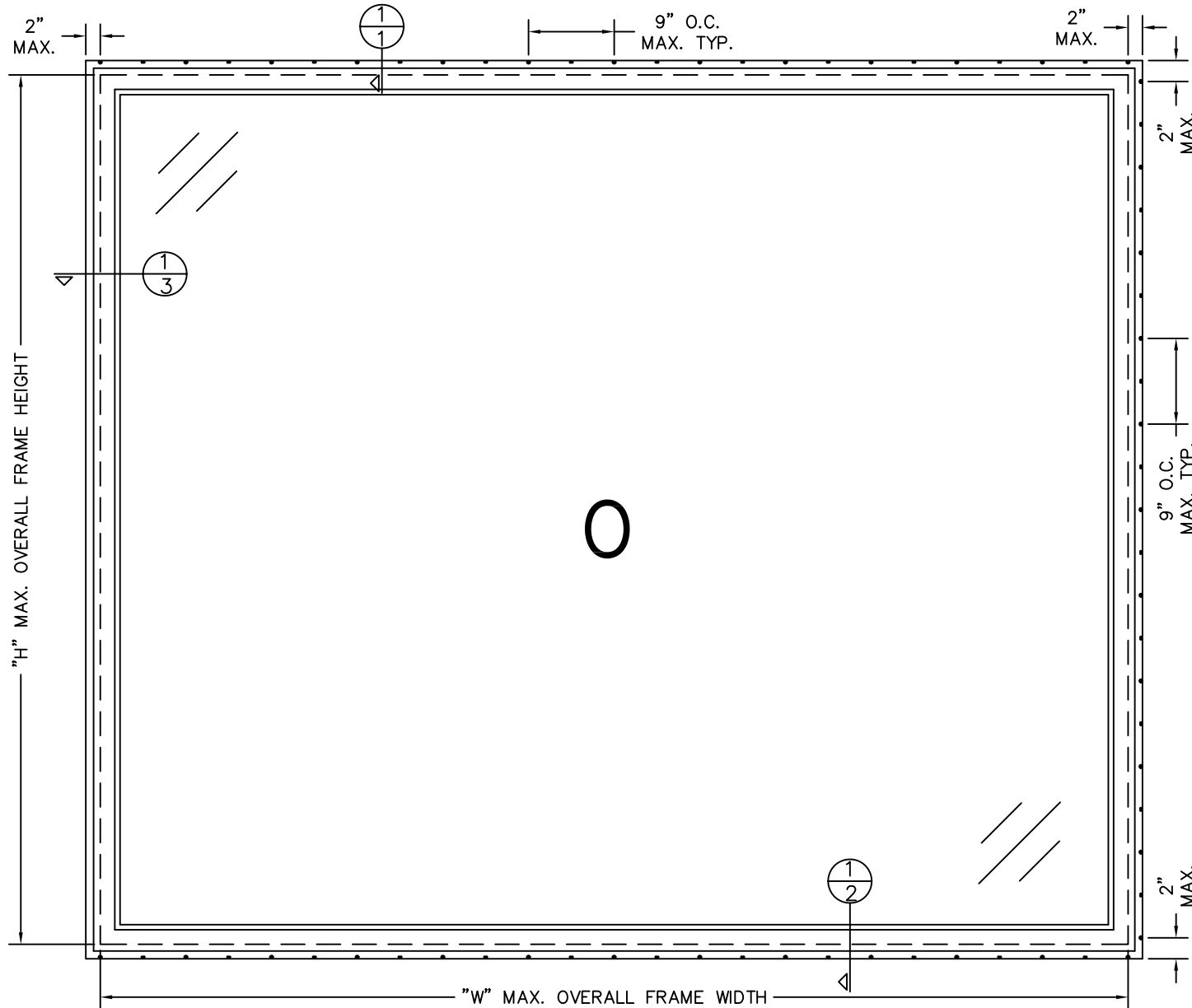
DESIGN PRESSURE RATING: See Size Chart

USABLE CONFIGURATIONS: 0

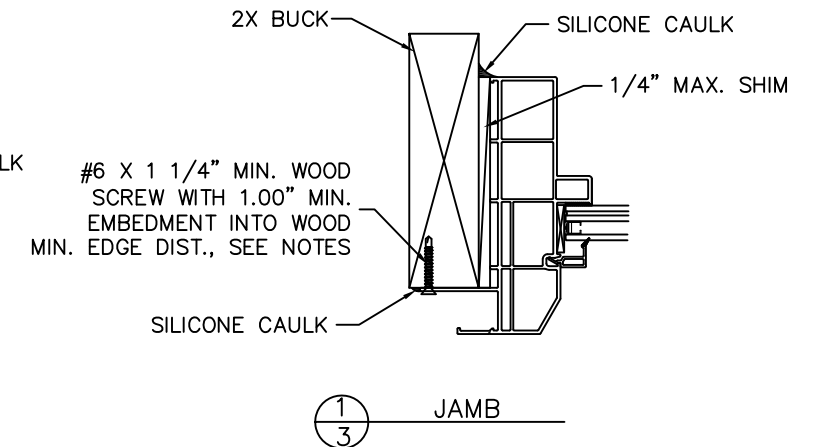
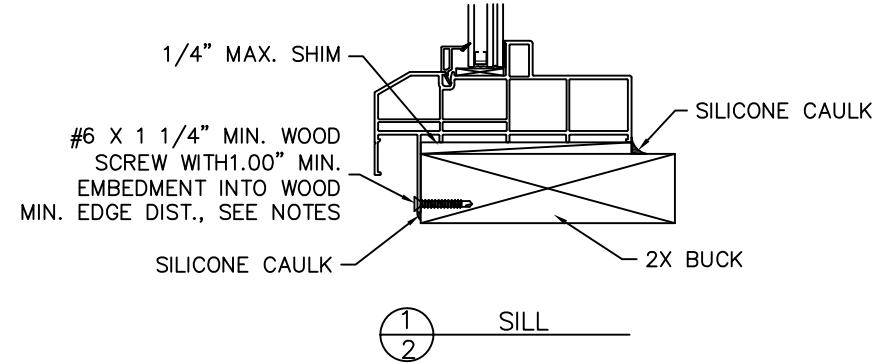
GENERAL DESCRIPTION: The head, sill, and side jambs are extruded PVC. The wall thickness through which the anchor screw penetrates is a minimum of 0.070".

NO P.E. SEAL REQUIRED
INSTALLATION SUPPORTED
BY AAMA TEST REPORTS

REV. #	REVISIONS:	REVISED BY:	DATE:
1	ADD MIN. EDGE DIST., NOTE	LMH	06/19/15
2	ADDED TEMPERED TO THE GLASS DETAILS.	LMH	07/22/19
3	UPDATED FOR 7TH EDITION 2020 FBC.	LMH	12/06/20
.	.	.	.
.	.	.	.



3/4" INSULATED ANNEALED/TEMPERED IMPACT GLASS WITH 0.090" PVB INTERLAYER



NOTES:

1. This installation has been evaluated for use in locations adhering to the Florida Building Code and where pressure requirements as determined by ASCE 7 Minimum Design Loads for Buildings and Other Structures do not exceed the design pressure ratings herein, for use outside the H.V.H.Z.
2. All exterior perimeter surfaces of the window must be caulked. Interior caulking is optional unless noted otherwise.
3. Anchors shall be as specified and spaced as shown. Anchor embedment to base material shall be beyond wall dressing or stucco and into wood.
4. The responsibility for selection of Simonton products to meet any applicable local laws, building codes, ordinances, or other safety requirements rests solely with the architect, building owner, or contractor.
5. Shims are optional. Maximum shim stack is 1/4".
6. Wood bucks (by others) must be engineered and anchored properly to transfer loads to the structure.
7. When used in areas requiring impact protection this product DOES NOT REQUIRE the use of approved impact resistant shutters or other external protection.
8. Flashing should be applied using the ASTM E 2112 methodology appropriate for the opening into which the window is being installed.
9. Glazing shall comply with ASTM E 1300. Glazing shall be tempered in units being used as a side lite.
10. Installation screws must be at least 1/2" from the edge of the wood.

SIZE CHART		
OVERALL SIZE		DP RATING
WIDTH "W"	HEIGHT "H"	
107"	48"	±50 PSF
48"	80"	

DISCLOSURE STATEMENT
This document is the property of Simonton Windows, which retains all proprietary and other rights to its subject matter. This document is provided to the recipient on the expressed condition that it is not to be disclosed, reproduced in whole or part, nor used in conjunction with the design, manufacture or repair of goods for anyone other than Simonton Windows without its consent. This restriction does not limit the recipient's rights to utilize information contained in this document which is properly obtained from another source.

FILE: FL 15689

MATERIAL:	
RMS FINISH:	EXCEPT AS NOTED
ALLOY & TEMPER:	
WEIGHT:	VOLUME:
SURFACE AREA:	PERIMETER:
FINISH TREATMENT:	

Dimensional Tolerances Unless Otherwise Specified	
Decimals	Angles
.X ± .03	0° 30 min.
.XX ± .01	
.XXX ± .005	

SIMONTON
WINDOWS
1 Cochrane Avenue
Pennsboro, WV 26415

SIZE: B	DRAWING NO.: IN0553	REV.: 3
DRAWN BY: T.D.D.	DATE: 05/02/12	
CHECKED BY:	DATE:	
SCALE: FIT	SHEET: 1 of 1	APPR'VD BY: DATE:
SERIES: 06-05 IMPACT RESISTANT FIXED PANEL		
TITLE: 2X BUCK INSTALLATION		