

# PLY GEM WINDOWS SERIES 4880 SLIDING GLASS DOOR

## (NON-IMPACT)

**NOTES:**

- THIS INSTALLATION HAS BEEN EVALUATED FOR USE IN LOCATIONS ADHERING TO THE FLORIDA BUILDING CODE OUTSIDE THE HVHZ, AND WHERE PRESSURE REQUIREMENTS AS DETERMINED BY ASCE 7 MINIMUM DESIGN LOADS FOR BUILDINGS AND OTHER STRUCTURES DO NOT EXCEED THE DESIGN PRESSURE RATINGS HEREIN.
- WHEN USED IN AREAS REQUIRING IMPACT PROTECTION, THIS PRODUCT REQUIRES THE USE OF APPROVED IMPACT PROTECTIVE DEVICES (SHUTTERS).
- ANCHOR TYPE, SIZE, SPACING, EMBEDMENT, AND EDGE DISTANCE SHALL BE AS SPECIFIED IN THESE DRAWINGS. USE APPROPRIATE ANCHORAGE FROM TABLE I ACCORDING TO SUBSTRATE TYPE. A MINIMUM CENTER-TO-CENTER SPACING OF 3" SHALL BE MAINTAINED BETWEEN ALL INSTALLATION FASTENERS IN ANY DIRECTION.
- ANCHOR EMBEDMENT TO SUBSTRATE SHALL BE BEYOND WALL DRESSING OR STUCCO. FOR MASONRY OPENINGS WITH WOOD BUCKS LESS THAN 1-1/2" THICK, EMBEDMENT SHALL BE BEYOND WOOD BUCKS, IF USED, AND INTO MASONRY SUBSTRATE. WOOD BUCKS WITH MASONRY ARE OPTIONAL.
- WOOD, METAL, OR MASONRY OPENINGS, BUCKS, AND BUCK FASTENERS, BY OTHERS, SHALL BE PROPERLY DESIGNED AND INSTALLED BY OTHERS TO TRANSFER SUPERIMPOSED LOADS TO THE STRUCTURE. ADEQUACY OF THE STRUCTURE TO RECEIVED THESE LOADS SHALL BE VERIFIED BY THE CONTRACTOR OR AUTHORITY HAVING JURISDICTION (AHJ).
- IT IS THE RESPONSIBILITY OF THE ARCHITECT OR ENGINEER OF RECORD OR AS APPROVED BY THE AHJ TO SELECT PLY GEM PRODUCTS TO MEET ALL APPLICABLE LOCAL LAWS, BUILDING CODES, ORDINANCES, OR OTHER SAFETY REQUIREMENTS FOR EACH INSTALLATION.
- SHIMS ARE REQUIRED WHERE GAPS OF GREATER THAN 1/16" EXIST BETWEEN OPENING AND FRAME. MAX. SHIM STACK IS 1/4". SHIMS SHALL BE LOAD-BEARING AND CAPABLE OF TRANSFERRING LOADS TO THE SUBSTRATE.
- SEALING AND FLASHING STRATEGIES FOR OVERALL WATER INFILTRATION RESISTANCE OF THE INSTALLED PRODUCT SHALL BE THE RESPONSIBILITY OF OTHERS USING ASTM E 2112 AND IS NOT ADDRESSED BY THIS DOCUMENT.
- INSTALLED GLAZING SHALL COMPLY WITH ASTM E 1300 AND BE SAFETY GLAZING.
- ALL FASTENERS PENETRATING INTO PRESSURE TREATED WOOD SHALL BE CAPABLE OF PREVENTING CORROSION DUE TO REACTION WITH PRESSURE TREATMENT CHEMICALS. ANY DISSIMILAR MATERIALS THAT COME INTO CONTACT SHALL BE PROTECTED TO PREVENT REACTIONS IN ACCORDANCE WITH CODE REQUIREMENTS.
- A WIND LOAD DURATION FACTOR  $C_d = 1.6$  WAS USED FOR THE ANALYSIS OF WOOD SCREWS ONLY.
- PRODUCTS SHALL BE CONSTRUCTED AS SPECIFIED IN TEST REPORTS CONSTRUCTION CONSULTING LABORATORY, INTERNATIONAL 12-147.
- DESIGNATION "X" IS FOR OPERABLE PANEL
- USE A BACKER ROD ON ALL JOINTS  $>3/4"$  DEEP AND/OR WIDER THAN  $1/4"$ . FINISHED CAULK JOINT SHOULD BE A MINIMUM OF  $3/8"$  DEEP.

SIZE CHART		
MAX. O.A. SIZE	DESIGN PRESSURE	MISSILE IMPACT RATING
185.63" X 95.75"	+/- 50.0 PSF	NON-IMPACT

TABLE OF CONTENTS	
SHEET	SHEET DESCRIPTION
1	INSTALLATION & GENERAL NOTES
2	ELEVATION & ANCHOR LAYOUT
3	QUALIFIED CONFIGURATIONS
4	VERTICAL SECTIONS
5	HORIZONTAL SECTIONS & GLAZING DETAIL

TITLE: SERIES 4880 SLIDING GLASS DOOR INSTALLATION & GENERAL NOTES	DATE	12.10.17	
	BY	LMH	
	REVISION DESCRIPTION	04.25.18	
	NO.	12.16.20	
	NO.	12.04.23	
DATE: 09.05.12	DWN BY: MSS	CHK BY:	SCALE: NTS

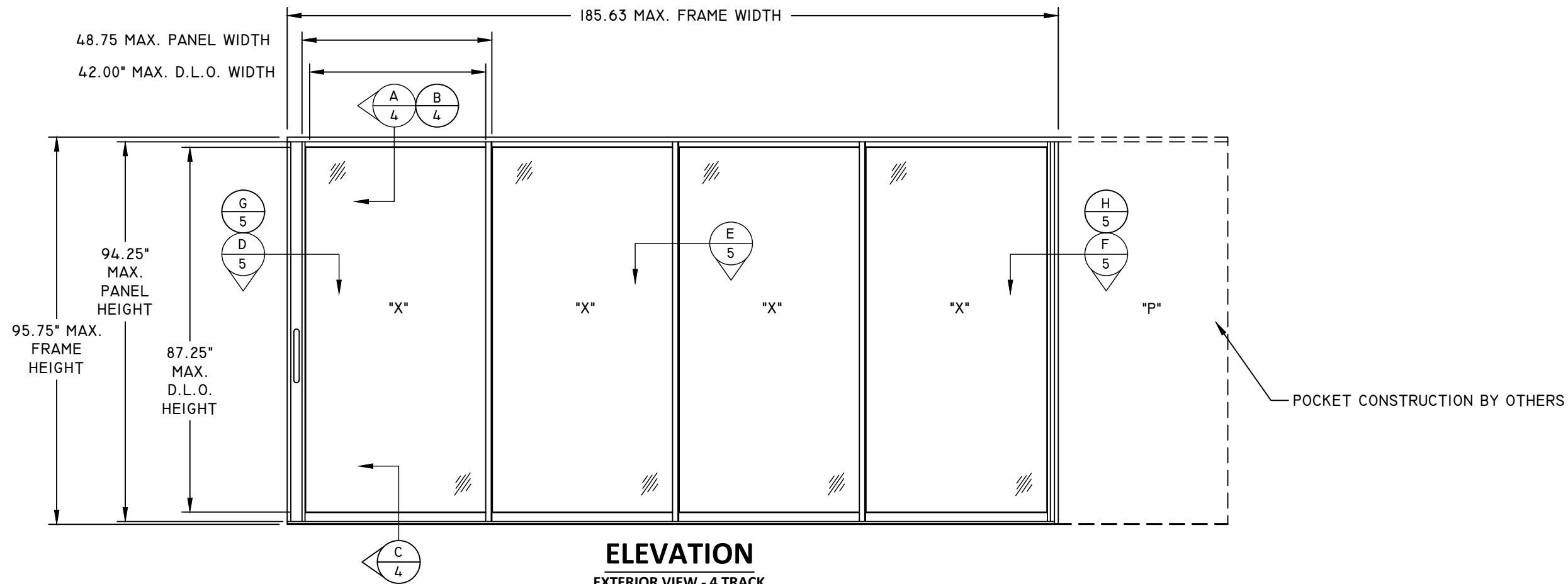


12/04/2023  
LUCAS A. TURNER, P.E.  
FL PE # 58201  
TURNER ENGINEERING &  
CONSULTING, INC.  
(COA # 29779)  
2428 OLD NATCHEZ TRACE  
TRAIL, CAMDEN, TN 38320  
PH. 941-380-1574

FL#: 15943

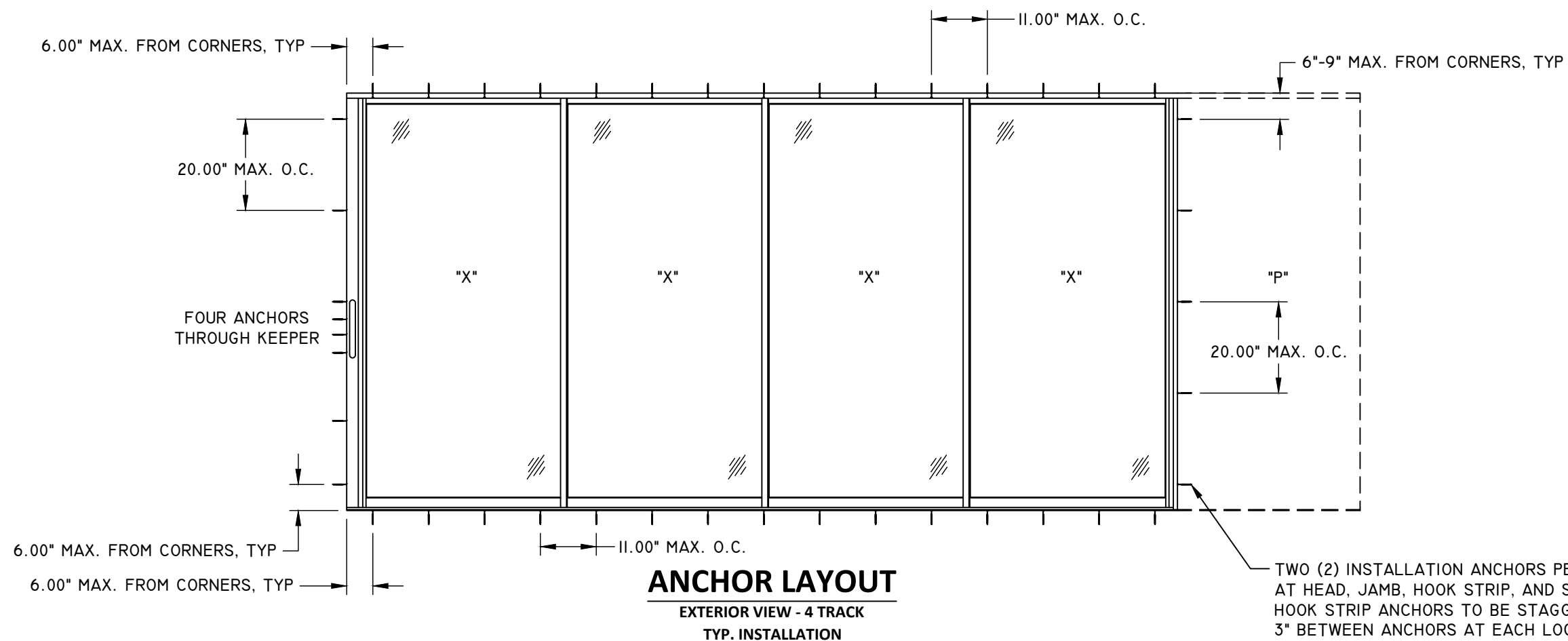
DWG #: PGWI73

SHEET: 1 OF 5



**ELEVATION**  
EXTERIOR VIEW - 4 TRACK

POCKET CONSTRUCTION BY OTHERS



**ANCHOR LAYOUT**  
EXTERIOR VIEW - 4 TRACK  
TYP. INSTALLATION

TWO (2) INSTALLATION ANCHORS PER LOCATION,  
AT HEAD, JAMB, HOOK STRIP, AND SILL.  
HOOK STRIP ANCHORS TO BE STAGGERED BY  
3\"/>

TITLE: SERIES 4880 SLIDING GLASS DOOR ELEVATION & ANCHOR LAYOUT		DATE	BY
NO.	REVISION DESCRIPTION	12.10.17	LMH
B	ADDED NOTES & TABLE 1	04.25.18	LMH
C	ADDED SILL PAN NOTE ON PAGE 4	12.16.20	LMH
D	7TH EDITION 2020 FBC	12.04.23	LMH
E	8TH EDITION 2023 FBC		

DATE:	DWN BY:	CHK BY:	SCALE:
09.05.12	MSS		NTS

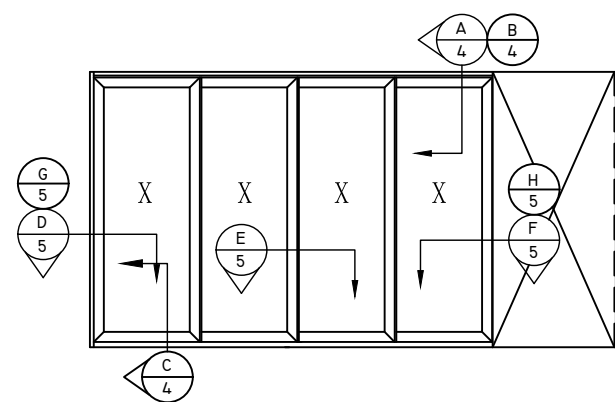


12/04/2023  
LUCAS A. TURNER, P.E.  
FL PE # 58201  
TURNER ENGINEERING &  
CONSULTING, INC.  
(COA # 29779)  
2428 OLD NATCHEZ TRACE  
TRAIL, CAMDEN, TN 38320  
PH. 941-380-1574

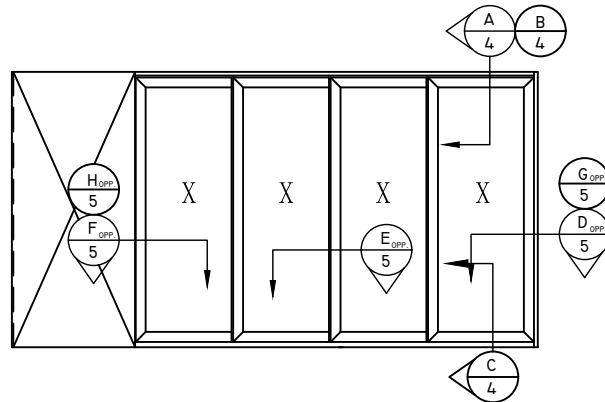
FL#: 15943

DWG #: PGWI73

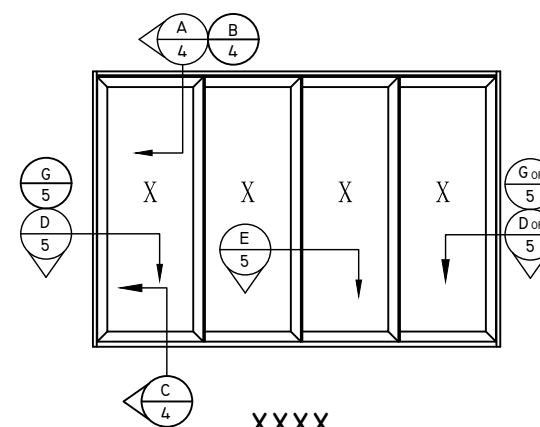
SHEET: 2 OF 5



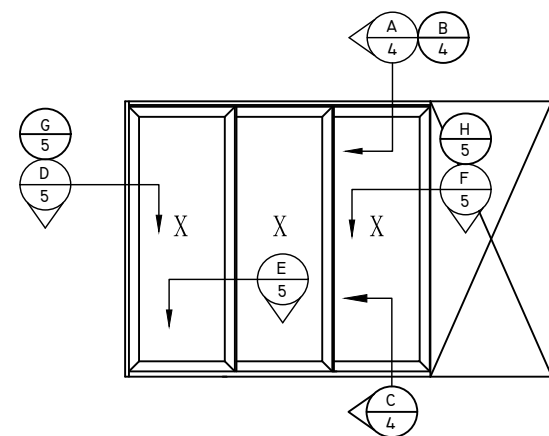
**XXXXP**  
(POCKETING DOORS)  
4 TRACK



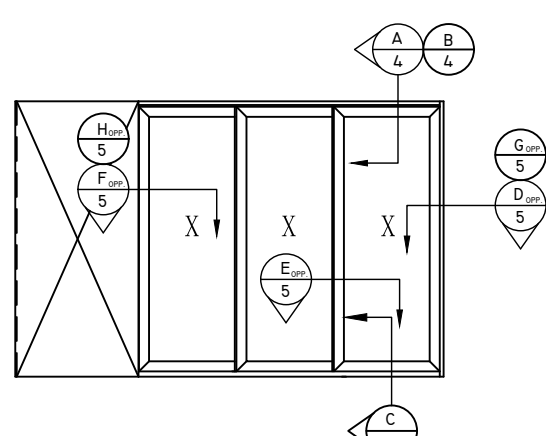
**PXXXX**  
(POCKETING DOORS)  
4 TRACK



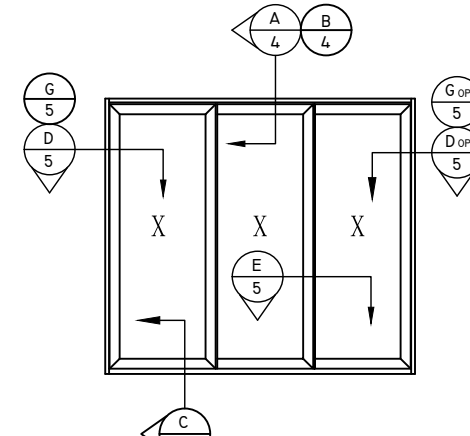
**XXXX**  
(NON-POCKETING DOORS)  
4 TRACK



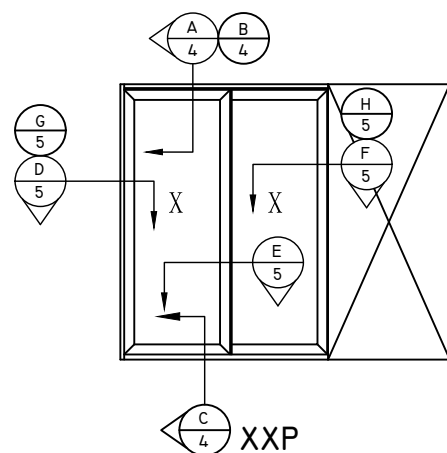
**XXXP**  
(POCKETING DOORS)  
3 TRACK



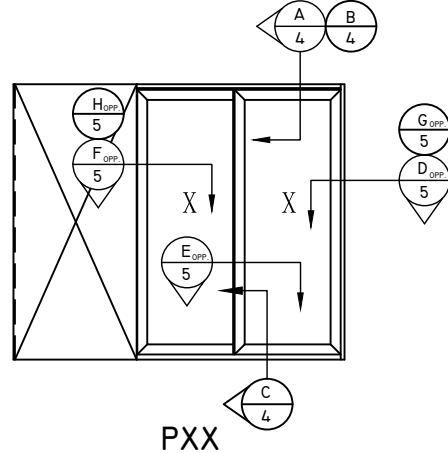
**PXXX**  
(POCKETING DOORS)  
3 TRACK



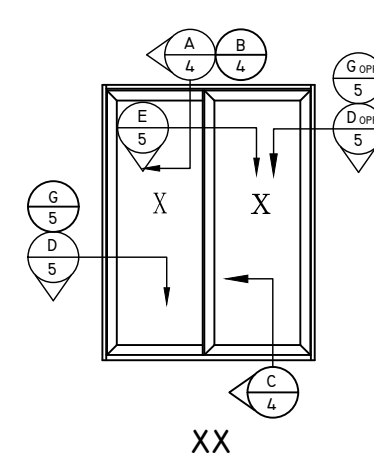
**XXX**  
(NON-POCKETING DOORS)  
3 TRACK



**XXP**  
(POCKETING DOORS)  
2 TRACK



**PXX**  
(POCKETING DOORS)  
2 TRACK



**XX**  
(NON-POCKETING DOORS)  
2 TRACK

NOTE: SECTION DETAILS SHOW 4 TRACK FRAMES, INSTALLATION AND CONSTRUCTION OF 2 TRACK AND 3 TRACK FRAMES ARE SIMILAR AND SHALL FOLLOW INSTALLATION REQUIREMENTS SET FORTH HEREIN.

TITLE: SERIES 4880 SLIDING GLASS DOOR  
QUALIFIED CONFIGURATIONS

DATE: 09.05.12

DWN BY: MSS

CHK BY:

SCALE: NTS

REVISION DESCRIPTION

NO. B C D E

ADDED NOTES & TABLE I

ADDED SILL PAN NOTE ON PAGE 4

7TH EDITION 2020 FBC

8TH EDITION 2023 FBC

BY

LMH

LMH

LMH

LMH

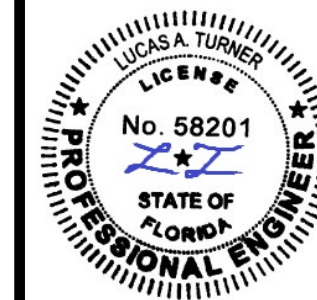
DATE

12.10.17

04.25.18

12.16.20

12.04.23

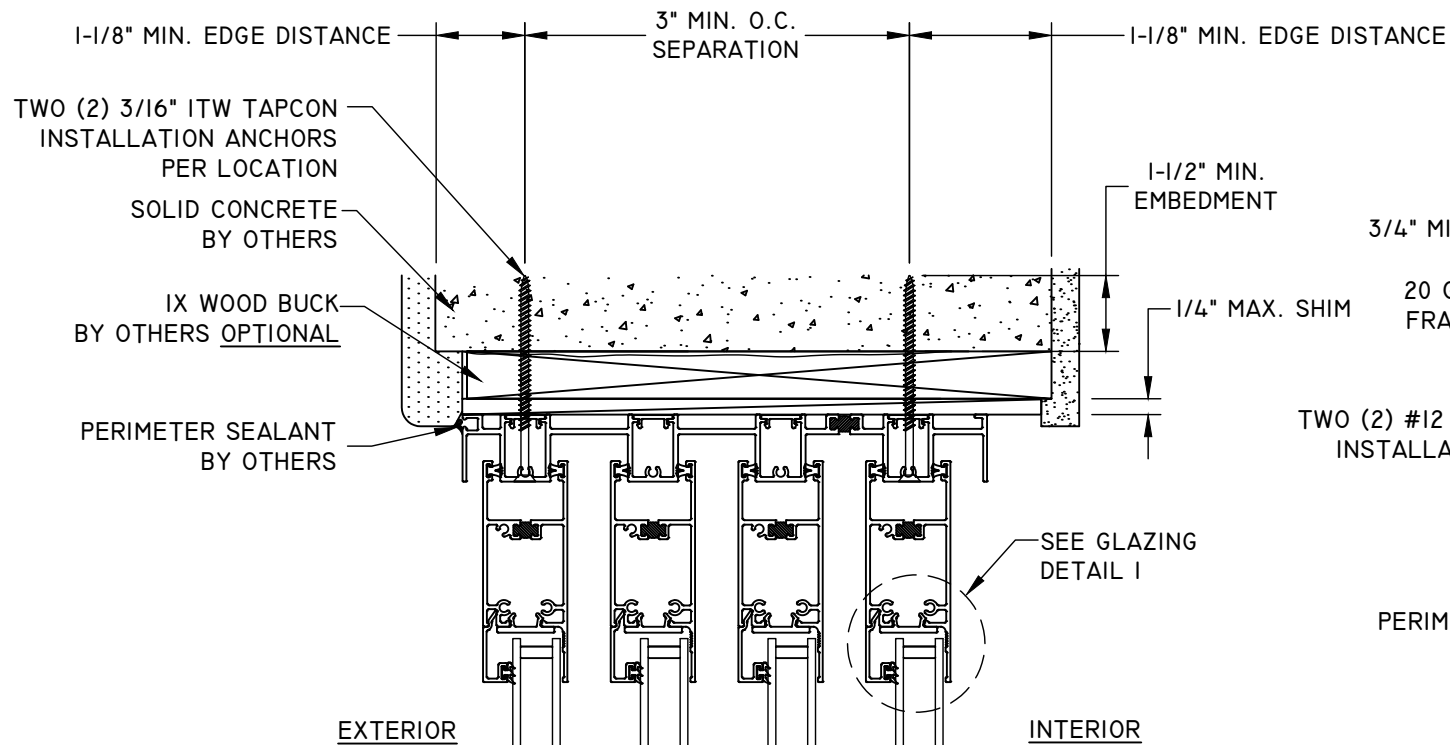


12/04/2023  
LUCAS A. TURNER, P.E.  
FL PE # 58201  
TURNER ENGINEERING &  
CONSULTING, INC.  
(COA # 29779)  
2428 OLD NATCHEZ TRACE  
TRAIL, CAMDEN, TN 38320  
PH. 941-380-1574

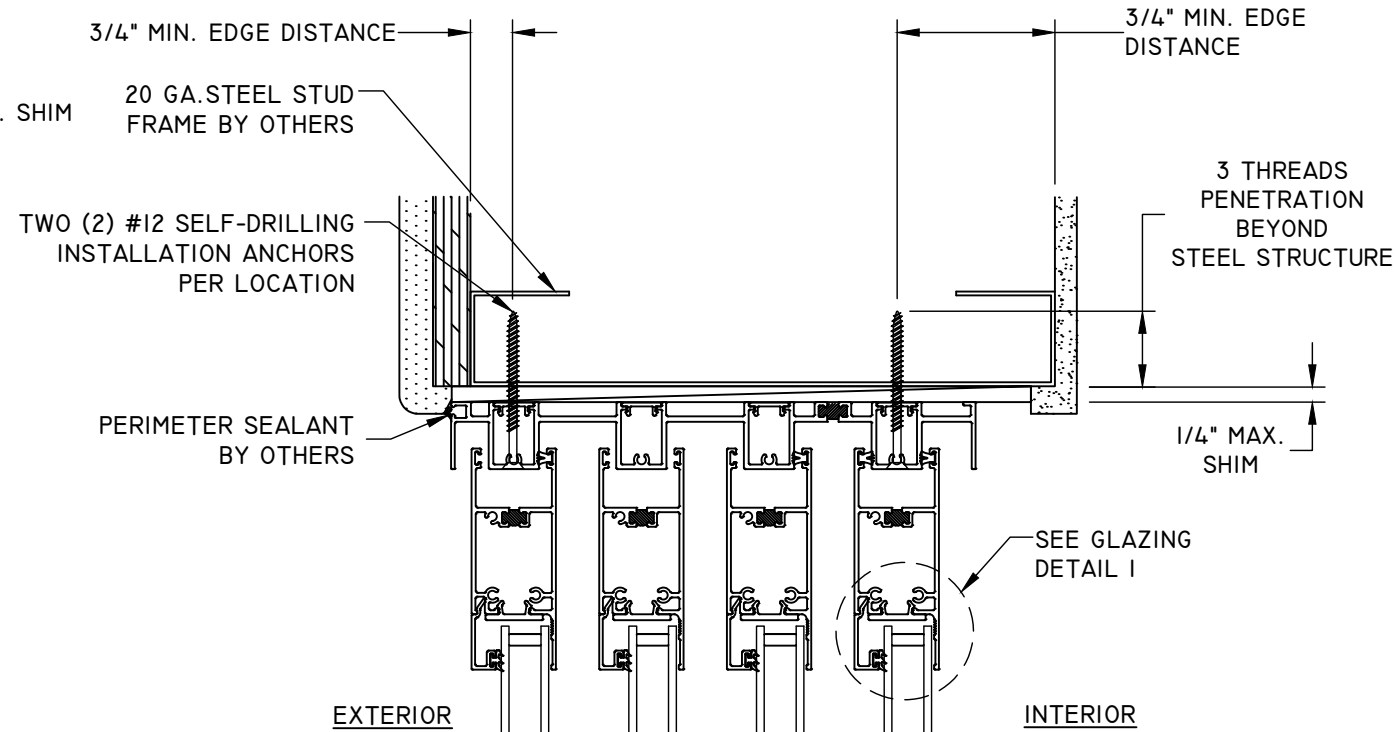
FL#: 15943

DWG #: PGWI73

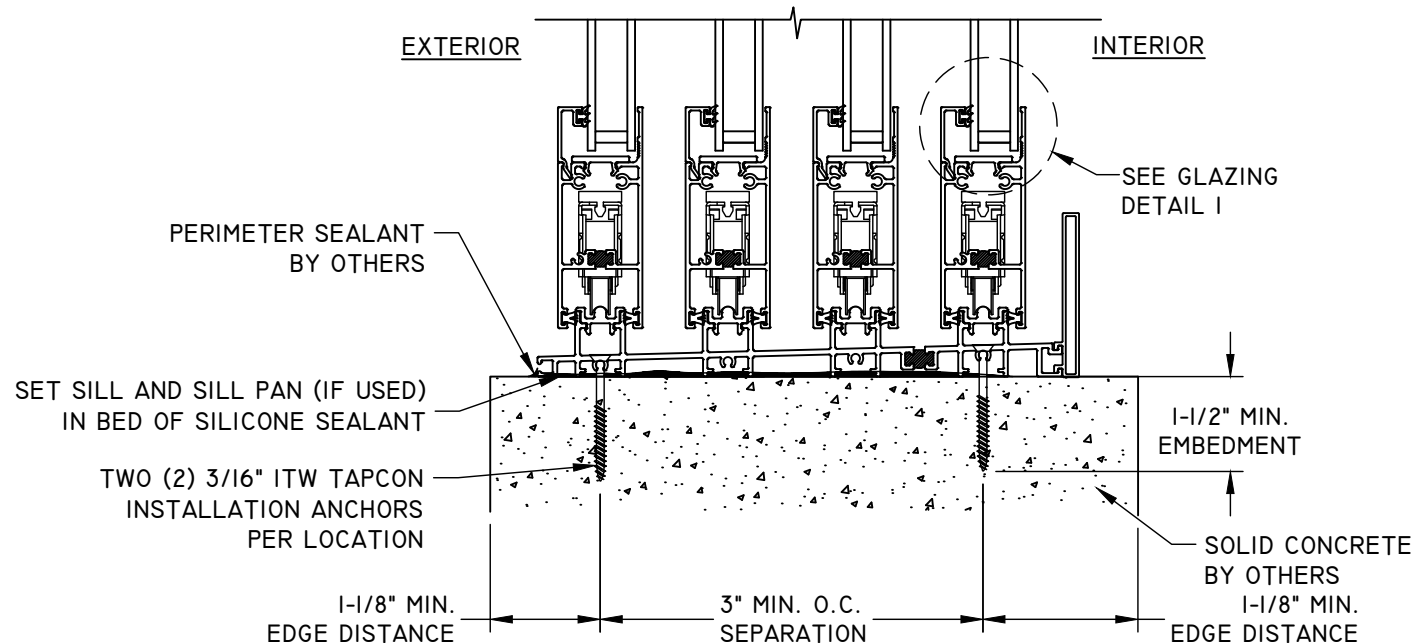
SHEET: 3 OF 5



**A**  
**4**  
**VERTICAL SECTION**  
CONCRETE - HEAD TYP.  
4 TRACK



**B**  
**4**  
**VERTICAL SECTION**  
STEEL STUD - HEAD TYP.  
4 TRACK



**C**  
**4**  
**VERTICAL SECTION**  
CONCRETE - SILL TYP.  
4 TRACK

**SILL NOTE:**

WHEN PENETRATING THE SILL WITH FASTENERS, PRE-DRILL THE HOLE, APPLY SEALANT INTO THE HOLE, ATTACH THE FASTENER, THEN SEAL OVER THE FASTENER HEAD WITH APPROPRIATE SEALANT. SEE NOTE 8, SHEET 1.

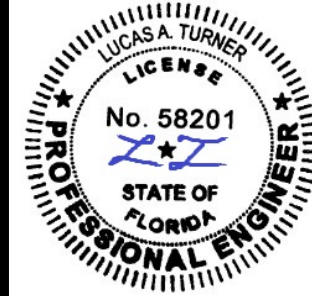
**NOTE:**

1. 4 TRACK FRAME SHOWN, 2 TRACK AND 3 TRACK FRAMES QUALIFIED UNDER THIS APPROVAL.
2. TWO INSTALLATION ANCHORS REQUIRED PER LOCATION INDICATED IN TYP. ANCHOR LAYOUT, AS SHOWN ON SHEET 2.
3. INSTALLATION ANCHORS SHALL BE FASTENED THROUGH EXTERIOR AND INTERIOR MOST TRACKS.
4. INSTALLATION ANCHORS MAY BE STAGGERED IN ORDER TO MAINTAIN MINIMUM O.C. SPACING.
5. INSTALLATION AT SILL MAY BE THROUGH IX WOOD BUCK OR DIRECTLY INTO CONCRETE OR THROUGH MIN. 18 GA. STEEL SUBSTRATE.

TITLE: SERIES 4880 SLIDING GLASS DOOR  
VERTICAL SECTIONS

DATE:	09.05.12
DWN BY:	MSS
CHK BY:	
SCALE:	NTS

NO.	REVISION DESCRIPTION	BY	DATE
B	ADDED NOTES & TABLE 1	LMH	12.10.17
C	ADDED SILL PAN NOTE ON PAGE 4	LMH	04.25.18
D	7TH EDITION 2020 FBC	LMH	12.16.20
E	8TH EDITION 2023 FBC	LMH	12.04.23

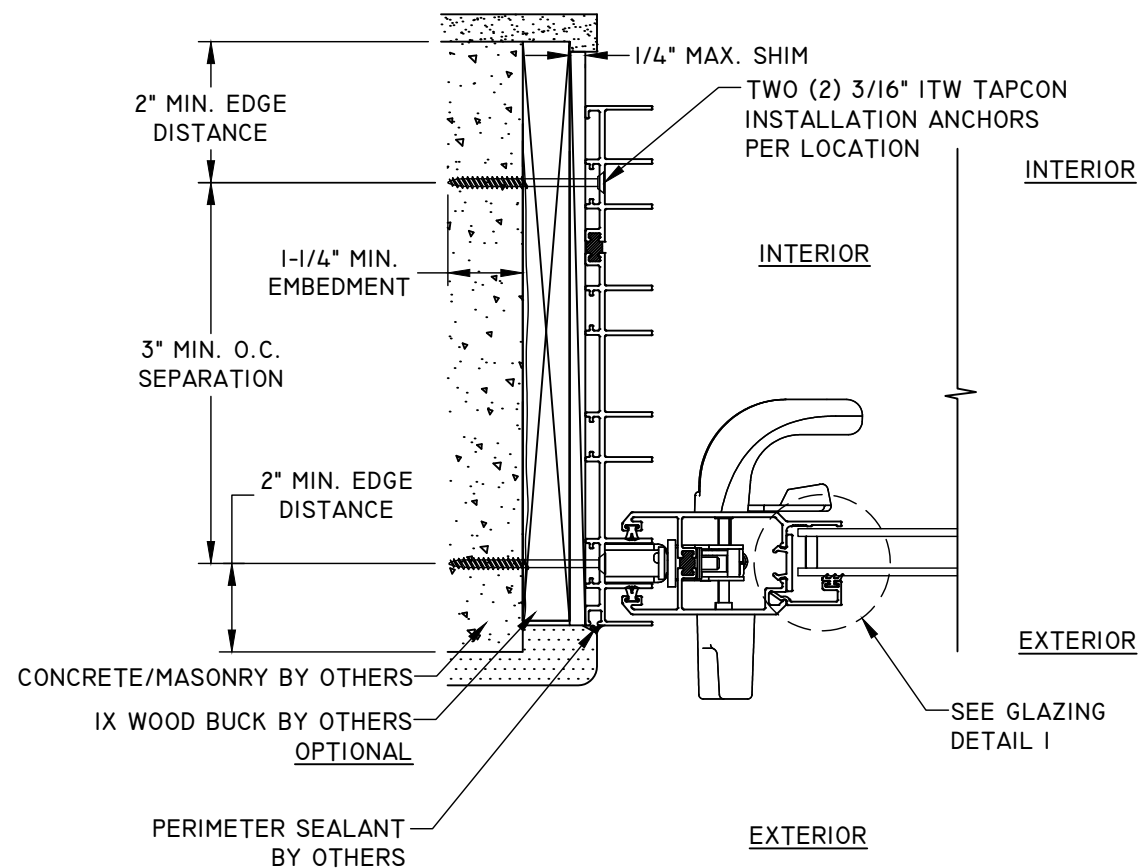


12/04/2023  
LUCAS A. TURNER, P.E.  
FL PE # 58201  
TURNER ENGINEERING &  
CONSULTING, INC.  
(COA # 29779)  
2428 OLD NATCHEZ TRACE  
TRAIL, CAMDEN, TN 38320  
PH. 941-380-1574

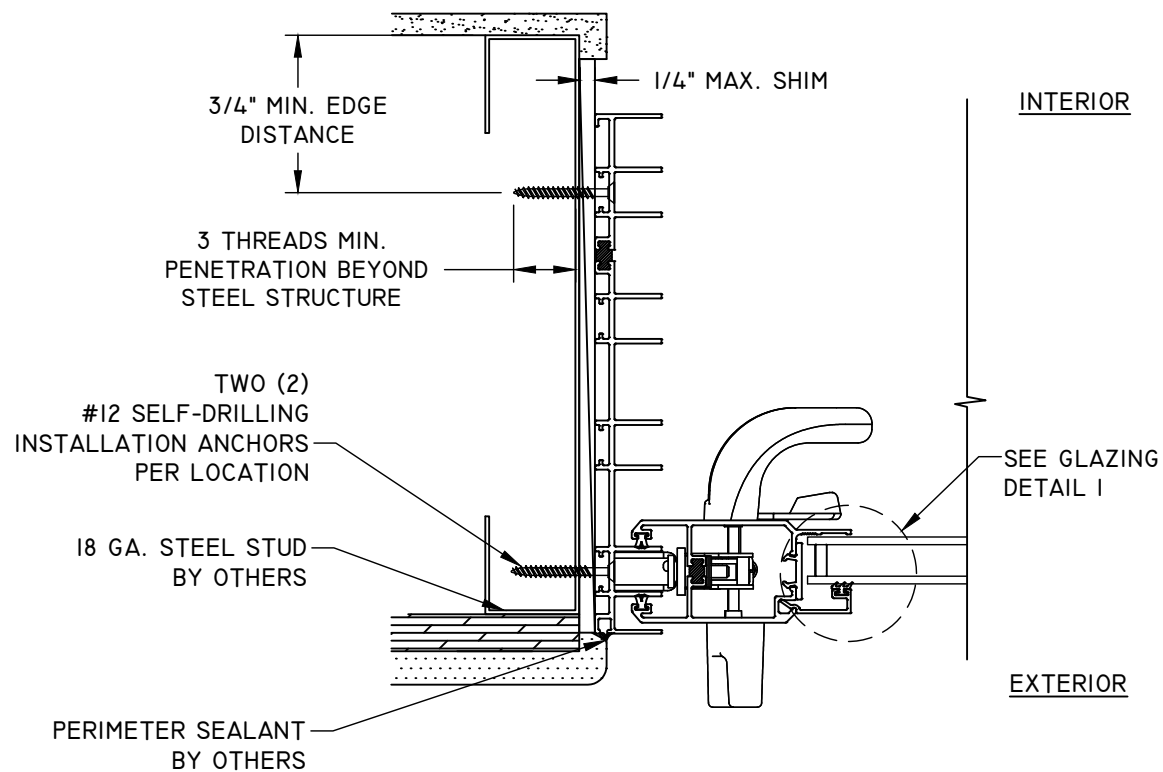
FL#: 15943

DWG #: PGWI73

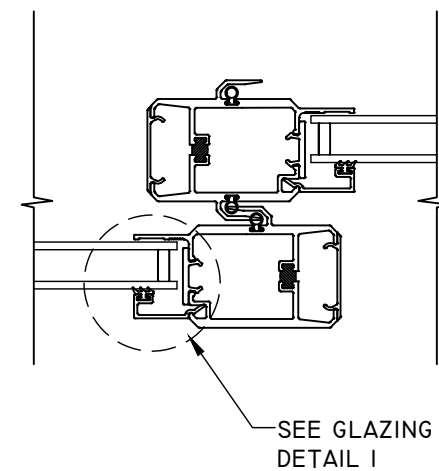
SHEET: 4 OF 5



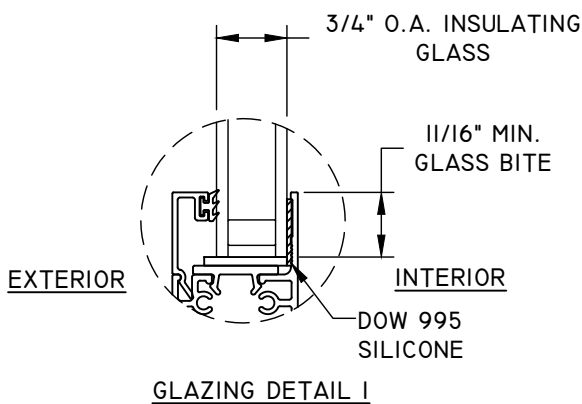
**D**  
**5** **HORIZONTAL SECTION**  
CONCRETE/ MASONRY - JAMB TYP.  
4 TRACK



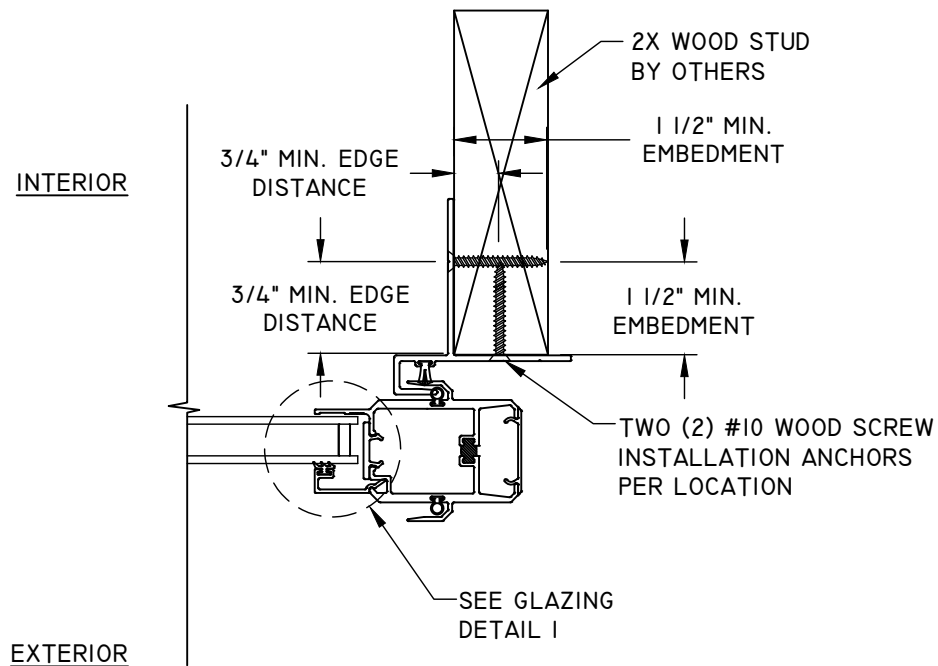
**G**  
**5** **HORIZONTAL SECTION**  
STEEL STUD - JAMB TYP.  
4 TRACK



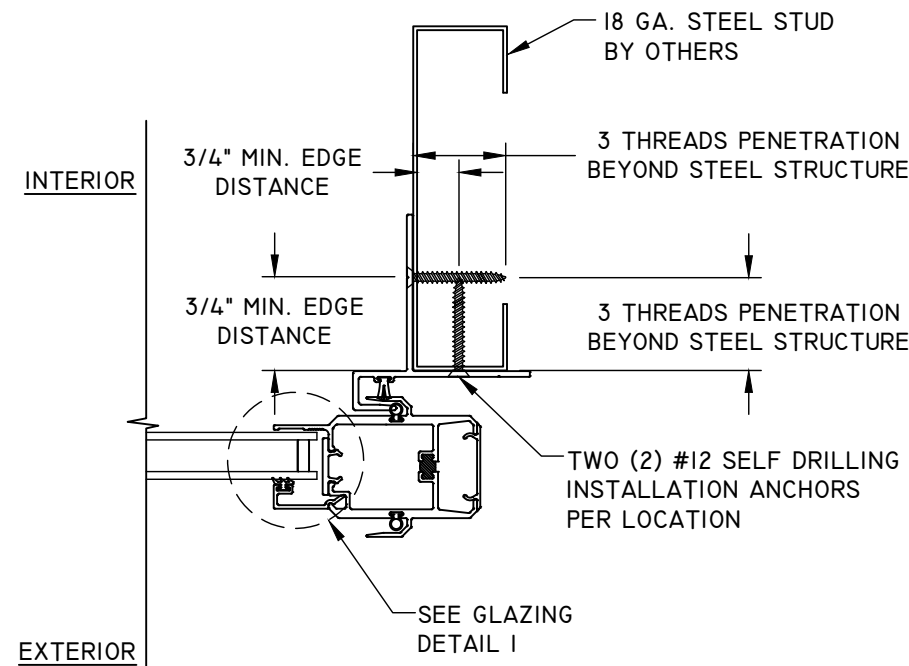
**E**  
**5** **HORIZONTAL SECTION**  
INTERLOCK



- NOTE:
1. 4 TRACK FRAME SHOWN, 2 TRACK AND 3 TRACK FRAMES QUALIFIED UNDER THIS APPROVAL.
  2. TWO INSTALLATION ANCHORS REQUIRED PER LOCATION INDICATED IN TYP. ANCHOR LAYOUT, AS SHOWN ON SHEET 2.
  3. INSTALLATION ANCHORS SHALL BE FASTENED THROUGH EXTERIOR AND INTERIOR MOST TRACKS.
  4. INSTALLATION ANCHORS MAY BE STAGGERED IN ORDER TO MAINTAIN MINIMUM O.C. SPACING



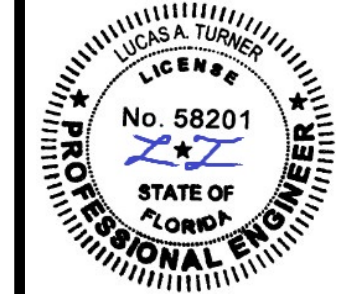
**F**  
**5** **HORIZONTAL SECTION**  
2X WOOD - POCKET JAMB TYP.



**H**  
**5** **HORIZONTAL SECTION**  
STEEL STUD - POCKET JAMB TYP.

TITLE: SERIES 4880 SLIDING GLASS DOOR HORIZONTAL SECTIONS & GLAZING DETAIL		DATE	BY
NO.	REVISION DESCRIPTION	12.10.17	LMH
B	ADDED NOTES & TABLE I	04.25.18	LMH
C	ADDED SILL PAN NOTE ON PAGE 4	12.16.20	LMH
D	7TH EDITION 2020 FBC	12.16.20	LMH
E	8TH EDITION 2023 FBC	12.04.23	LMH

DATE:	DWN BY:	CHK BY:	SCALE:
09.05.12	MSS		NTS



12/04/2023  
LUCAS A. TURNER, P.E.  
FL PE # 58201  
TURNER ENGINEERING &  
CONSULTING, INC.  
(COA # 29779)  
2428 OLD NATCHEZ TRACE  
TRAIL, CAMDEN, TN 38320  
PH. 941-380-1574

FL#: 15943

DWG #: PGWI73

SHEET: 5 OF 5