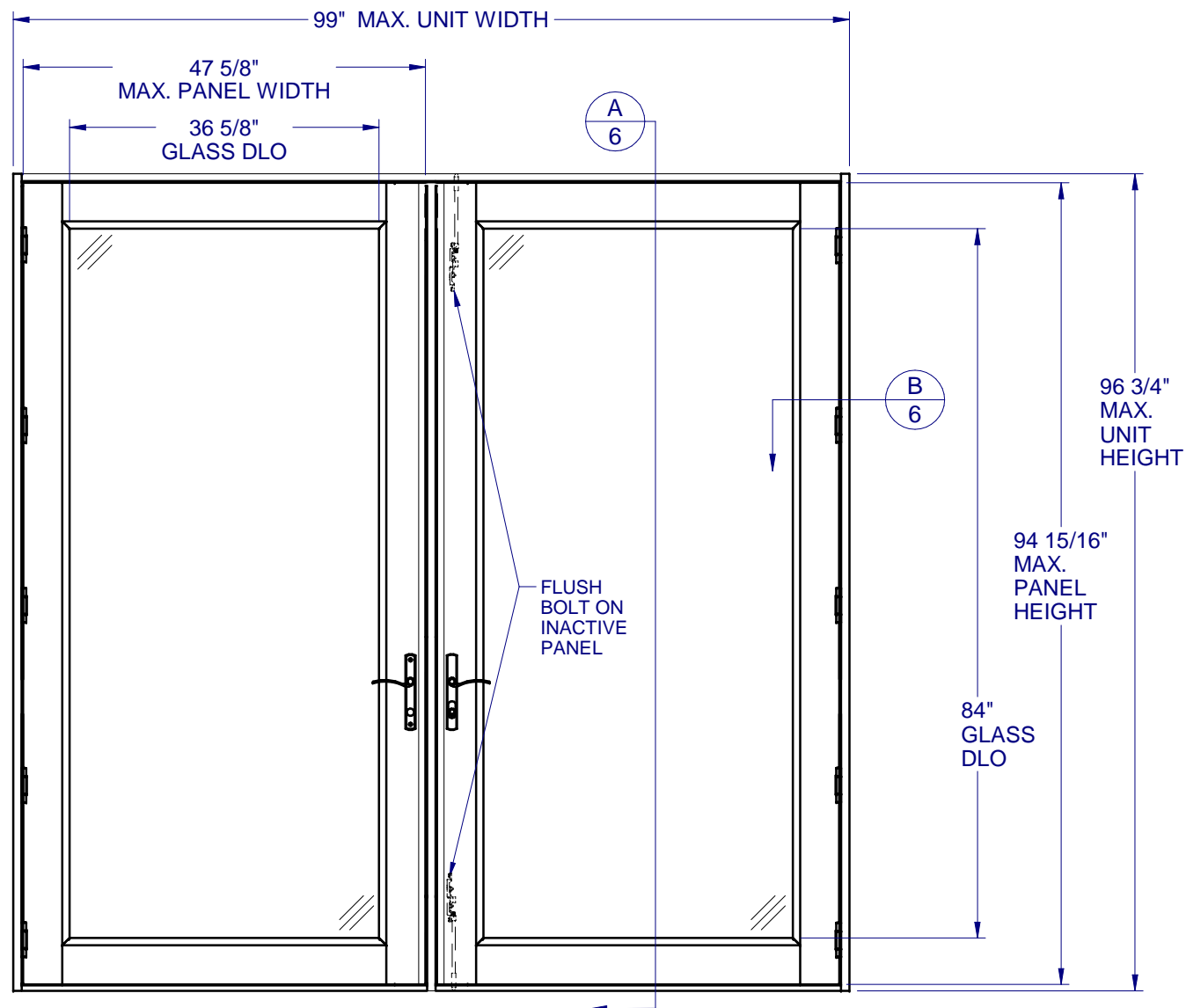


FRENCH DOOR - IMPACT



GENERAL NOTES:

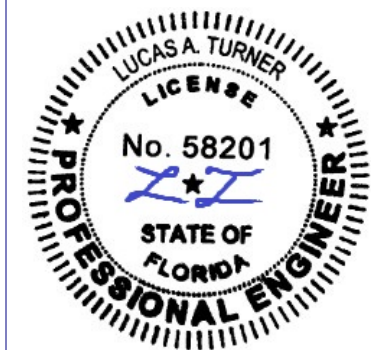
1. THE PRODUCT SHOWN HEREIN IS DESIGNED AND MANUFACTURED TO COMPLY WITH THE FLORIDA BUILDING CODE (FBC), CURRENT EDITION INCLUDING THE HIGH VELOCITY HURRICANE ZONE (HVHZ) AND IS RATED FOR WIND ZONE 4 MISSILE LEVEL D IMPACT USE AS DEFINED IN ASTM E 1996 PER THE FBC.
2. GLAZING DETAIL: (SEE SHEET 2)
3. APPROVED CONFIGURATIONS: FRENCH DOOR
4. LOCK OPTIONS:
 - * UP TO 6'8": MULTIPOINT(4PT)(HANDLE SET).
 - * ABOVE 6'8": MULTIPOINT(5PT)(HANDLE SET).
5. DESIGN PRESSURES:
 - NEGATIVE DESIGN LOADS BASED ON TESTED PRESSURE AND GLASS TABLES ASTM E-1300-04e01/09.
 - POSITIVE DESIGN LOADS BASED ON TESTED PRESSURE, WATER INFILTRATION TEST PRESSURE, AND GLASS TABLES ASTM E-1300-04e01/09.
6. ANCHORAGE: THE 33 1/3% STRESS INCREASE HAS NOT BEEN USED IN THE DESIGN OF THIS PRODUCT. SEE SHEET 6 FOR INSTALLATION DETAIL. WIND LOAD DURATION FACTOR Cd=1.6 WAS USED FOR WOOD ANCHOR CALCULATIONS.
7. PRODUCT APPROVED FOR IMPACT RESISTANCE. SHUTTERS ARE NOT RQUIRED.
8. ALL FRAMES ARE PROCESSED AND SCREWED TOGETHER. VENTS ARE PROCESSED ASSEMBLED VIA TIE RODS.
9. SERIES / MODEL DESIGNATION: FD-8750.
10. SECTION CALLOUTS APPLY TO ALL CONFIGURATIONS.
11. INTERIOR FLUSH BOLTS ON ACTIVE PANEL TO BE ENGAGED DURING SEVERE WEATHER.



1900 SW 44TH AVE.
OCALA, FLORIDA 34474
WWW.CWS.CC

8750 PVC FRENCH DOOR IMPACT

PROPRIETARY AND CONFIDENTIAL
 THE INFORMATION CONTAINED IN THIS DRAWING IS THE SOLE PROPERTY OF CUSTOM WINDOW SYSTEMS, INC. ANY REPRODUCTION IN PART OR AS A WHOLE WITHOUT THE WRITTEN PERMISSION OF CUSTOM WINDOW SYSTEMS, INC IS PROHIBITED.



08/06/2020

LUCAS A. TURNER, P.E.
FL PE # 58201
2428 Old Natchez Trc Trl
Camden, TN 38320
PH. 941-380-1574

SHEET DESCRIPTION:

GENERAL NOTES AND ELEVATIONS

DRAWN BY:	DATE:
ADE	09/08/11
DWG #:	REV.:
CWS-839	C
SCALE:	SHEET
1:20	1 OF 6

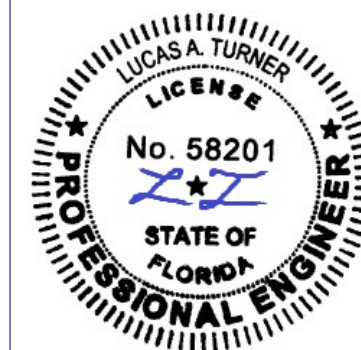
TABLE OF CONTENTS

GENERAL NOTES & ELEVATIONS.....	1
SECTION VIEWS & GALZING DETAIL.....	2
BOM.....	3
EXTRUSIONS.....	4
ANCHOR DETAIL & NOTES.....	5
INSTALLATION DETAILS.....	6

DESIGN PRESSURE RATING	IMPACT RATING
+/-60 PSF	LARGE MISSILE IMPACT

**8750 PVC
FRENCH DOOR
IMPACT**

PROPRIETARY AND CONFIDENTIAL
THE INFORMATION CONTAINED IN
THIS DRAWING IS THE SOLE
PROPERTY OF CUSTOM WINDOW
SYSTEMS, INC. ANY
REPRODUCTION IN PART OR AS A
WHOLE WITHOUT THE WRITTEN
PERMISSION OF CUSTOM WINDOW
SYSTEMS, INC IS PROHIBITED.



08/06/2020

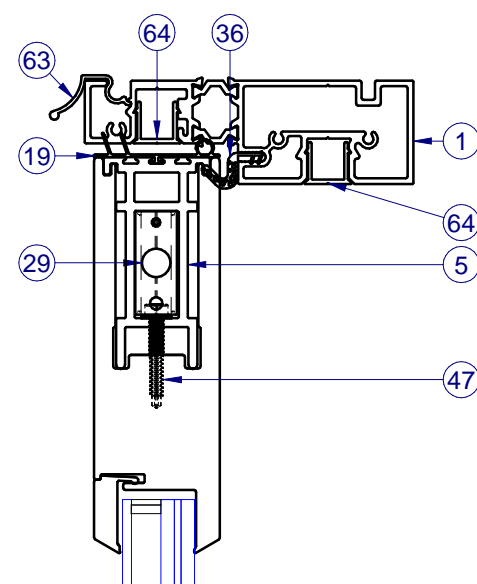
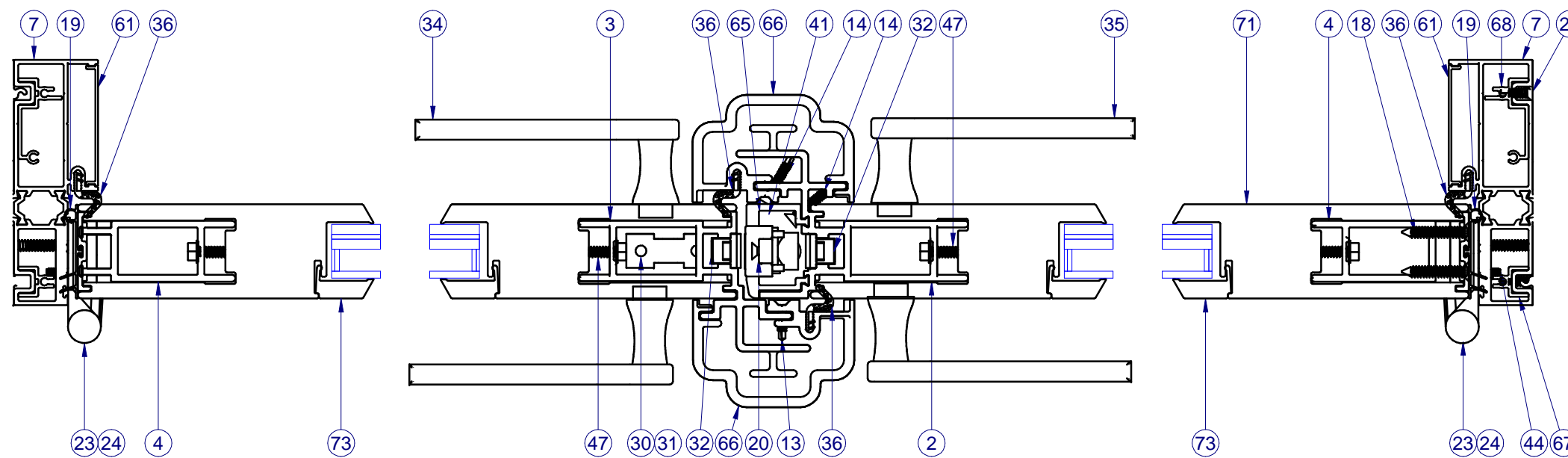
LUCAS A. TURNER, P.E.
FL PE # 58201
2428 Old Natchez Trc Trl
Camden, TN 38320
PH. 941-380-1574

SHEET DESCRIPTION:

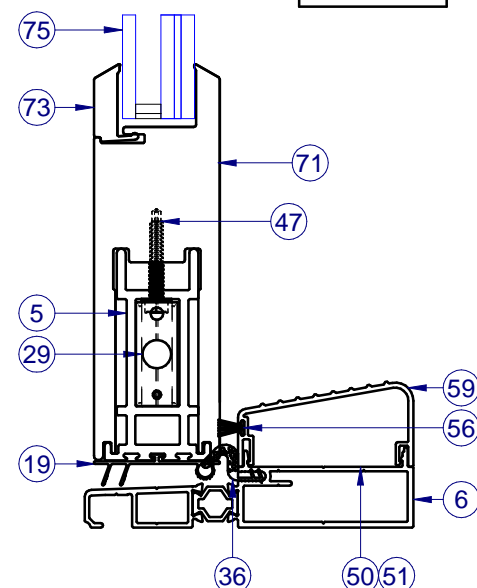
**SECTION VIEWS AND
GLAZING DETAIL**

DRAWN BY:	DATE:
ADE	09/08/11
DWG #:	REV.:
CWS-839	C
SCALE:	SHEET
1:2.67	2 OF 6

INTERIOR

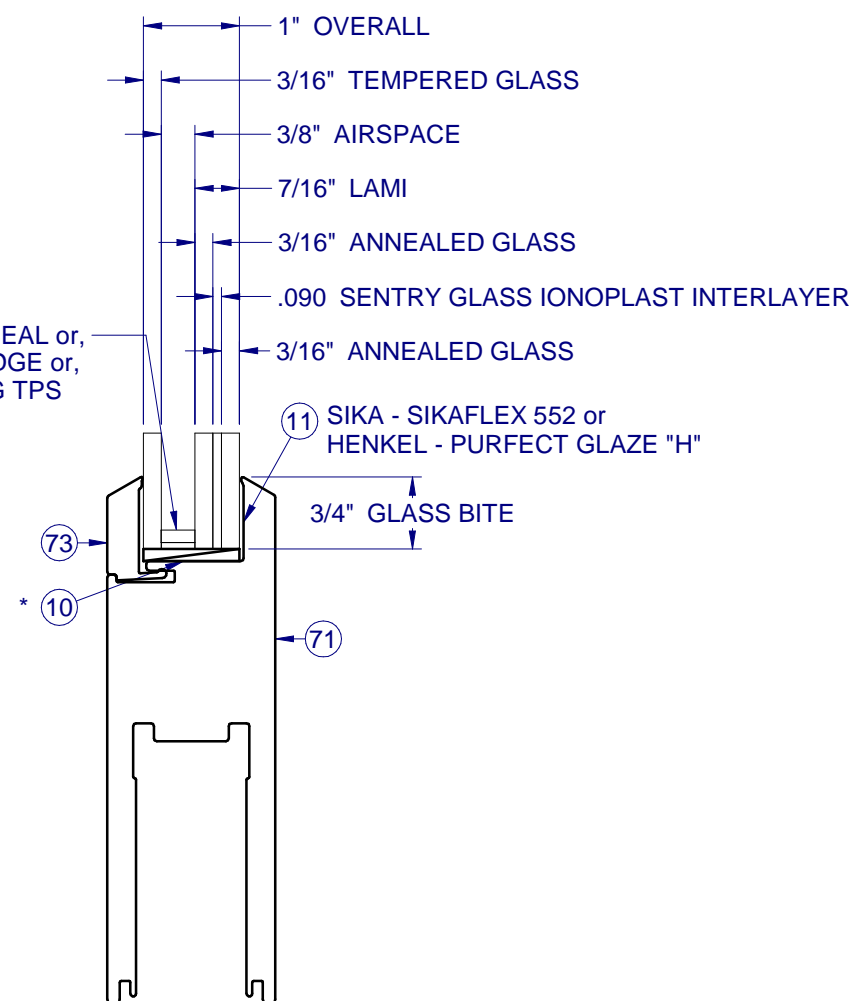


INTERIOR



ITEMS NOT SHOWN FOR CLARITY:
10-12, 17, 22, 26-28, 37-38, 43, 54, 76, 77

QUANEX DURASEAL or,
CARDINAL XL EDGE or,
KODISPACE 4SG TPS
I.G. SPACER



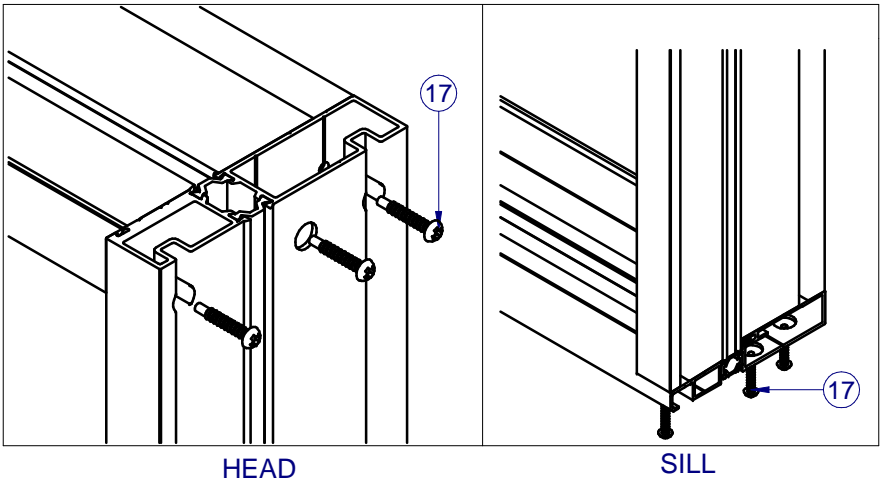
- 1" OVERALL
- 3/16" TEMPERED GLASS
- 3/8" AIRSPACE
- 7/16" LAMI
- 3/16" ANNEALED GLASS
- .090 SENTRY GLASS IONOPLAST INTERLAYER
- 3/16" ANNEALED GLASS
- 11 SIKA - SIKAFLEX 552 or
HENKEL - PURFECT GLAZE "H"
- 3/4" GLASS BITE

1:2

SETTING BLOCKS PER FBC 2411.3.3.1

PARTS LIST			
ITEM	PART NO.	DESCRIPTION	MATERIAL
1	H-1833	MAIN FRAME, HEAD	ALUM
2	H-1847	ASTRAGAL, INACTIVE, FD, PVC	ALUM
3	H-1846	ASTRAGAL, ACTIVE, FD, PVC	ALUM
4	H-1825	REINFORCEMENT, VERT.	ALUM
5	H-1845	REINFORCEMENT, HORIZ.	ALUM
6	H-1878	MAIN FRAME, SILL	ALUM
7	H-1880	MAINFRAME, JAMB	ALUM
10	P-5615	SETTING BLOCK, 1/8 X 1 X 2	
11		SIKAFLEX 552 or PURFECT GLAZE "H"	
12	P-3503	SCREW #8 X 1/2" PH TRUSS SS @ ASTRAGAL CAP	
13	P-3511	SCREW #8 x 5/8" SQ. PAN TEK @ TIEROD BRKT	
14	P-3587	SCREW #8 X 1", PH FLAT TEK @ ASTRAGAL, INSERT, LOCK	
17	P-4144	SCREW #8 X 1", PH PAN SMS @ FRAME ASSEM.	
18	P-4522	SCREW #10 X 1-1/4", PH FLAT SMS HINGE @ PANEL	
19	P-4774B	WSTP, BULB/LEAFS, PANEL	
20	P-4790	FLUSH BOLT, ASSM, TOP/BTM	
21	P-4794	SCREW #8 x 5/8" SQ. FLAT TEK @ INSERT ATTACH	
22	P-4802	ALL THREADED ROD (TIE ROD)	
23	P-4807	HINGE, GUIDE	
24	P-4808/9	HINGE, SET	
26	P-4863	LOCK STRIKE PLATE	
27	P-4864	RHINO STRIKE PLATE	
28	P-4866A	GUIDE, TIE ROD	NYLON
29	P-4871	TIE ROD BRACKET	ZINC
30	P-4885	SHOOT BOLT, TOP	
31	P-4886	SHOOT BOLT, BOTTOM	
32	P-4851	LOCKBAR, INACTIVE, 8 FT	
33	P-4884	LOCKBAR, MULTI-POINT, 5PT, 8 FT	
34	P-4903	HANDLE SET, ACTIVE	
35	P-4905	HANDLE SET, INACTIVE	
36	P-4913	WSTP, .50X.50 FOLDED BULB SEAL, @ DOOR	
37	P-4917	CAP, ASTRAGAL, OUTSIDE	NYLON
38	P-4925	CAP, ASTRAGAL, INSIDE	NYLON
41	P-4889	GUIDE, SHOOT BOLT	NYLON
43	P-4933	NUT, 3/8"-16 FLANGED W/ SERRATED LIP, SS, @ PANEL	
44	P-4934	SCREW, #12-24 X 1/2", PH FLAT, MS, @ HINGE	
47	P-4969	SCREW, #10 X 2" REINF. ATTACH.	
49	P-5127	SCREW, #12 X 2", PH PAN, SMS, ANCHOR	
50	P-5130	GASKET, DOOR SILL, FRONT	FOAM
51	P-5131	GASKET, DOOR SILL, BACK	FOAM
54	P-5157	SCREW #10-24 x 1/2", FI Undercut PH, 18-8SS @ KEEPER	
56	P-5172	WSTP, .370 X .187, TRI FIN, BLACK	
57	P-5174	SCREW #8 X 3/4" HEX WASHER HEAD, @ FRAME	
59	S-1783	THRESHOLD, HIGH RISE	ALUM
61	S-1806	COVER, JAMB, ANCHOR	ALUM
63	S-1817	DRIP CAP	ALUM
64	S-1840	COVER, HEAD, ANCHOR	ALUM
65	S-1849	INSERT, INACTIVE PNL, LOCK HARDWARE	

PARTS LIST CONT.			
ITEM	PART NO.	DESCRIPTION	MATERIAL
66	S-1848	COVER, ASTRAGAL, FD	ALUM
67	S-1864	INSERT, FRONT, BTM ATTACH SILL	ALUM
68	S-1865	INSERT, BACK, BTM ATTACH SILL	ALUM
71	S-6083	PANEL, TOP/BTM RAIL, SIDES - DOOR	PVC
73	S-6084	GLAZING BEAD (1")	PVC
75	GLASS	SEE SHEET 2	
76	P-4899	PLATE, FLUSH/SHOOT BOLT, TOP	ALUM
77	P-4900	PLATE, FLUSH/SHOOT BOLT, BTM	ALUM



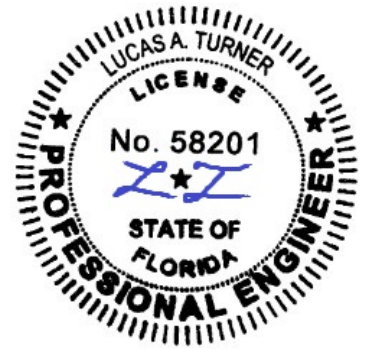
ALL FRAMES ARE MECHANICALLY FASTENED

NOTE: ITEMS 8-9, 15-16, 25, 39-40, 42, 45-46, 48, 52-53, 55, 58, 60, 62, 69-70, 72, 74 ARE NOT USED

Custom
WINDOW SYSTEMS
1900 SW 44TH AVE.
OCALA, FLORIDA 34474
WWW.CWS.CC

**8750 PVC
FRENCH DOOR
IMPACT**

PROPRIETARY AND CONFIDENTIAL
THE INFORMATION CONTAINED IN THIS DRAWING IS THE SOLE PROPERTY OF CUSTOM WINDOW SYSTEMS, INC. ANY REPRODUCTION IN PART OR AS A WHOLE WITHOUT THE WRITTEN PERMISSION OF CUSTOM WINDOW SYSTEMS, INC IS PROHIBITED.



08/06/2020

LUCAS A. TURNER, P.E.
FL PE # 58201
2428 Old Natchez Trc Trl
Camden, TN 38320
PH. 941-380-1574

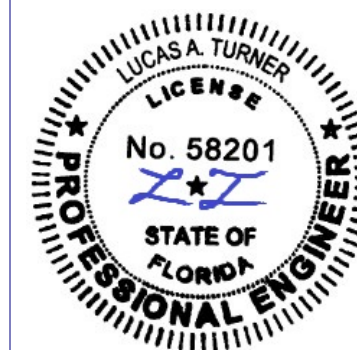
SHEET DESCRIPTION:

BOM

DRAWN BY: ADE	DATE: 09/08/11
DWG #: CWS-839	REV.: C
SCALE: 1:4	SHEET 3 OF 6

**8750 PVC
FRENCH DOOR
IMPACT**

PROPRIETARY AND CONFIDENTIAL
THE INFORMATION CONTAINED IN
THIS DRAWING IS THE SOLE
PROPERTY OF CUSTOM WINDOW
SYSTEMS, INC. ANY
REPRODUCTION IN PART OR AS A
WHOLE WITHOUT THE WRITTEN
PERMISSION OF CUSTOM WINDOW
SYSTEMS, INC IS PROHIBITED.



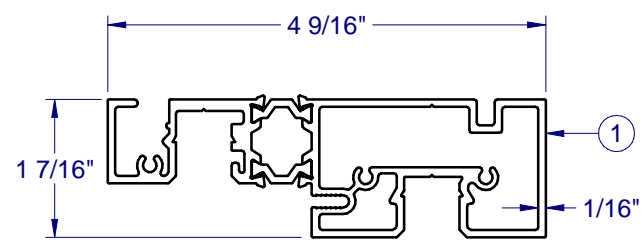
08/06/2020

LUCAS A. TURNER, P.E.
FL PE # 58201
2428 Old Natchez Trc Trl
Camden, TN 38320
PH. 941-380-1574

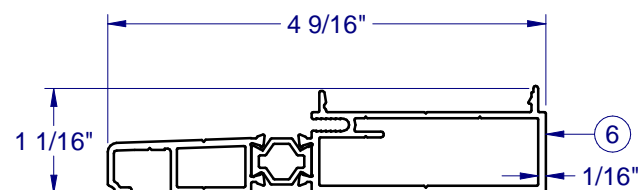
SHEET DESCRIPTION:

EXTRUSIONS

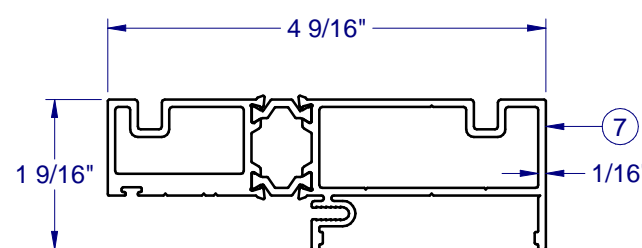
DRAWN BY:	DATE:
ADE	09/08/11
DWG #:	REV.:
CWS-839	C
SCALE:	SHEET
1:2	4 OF 6



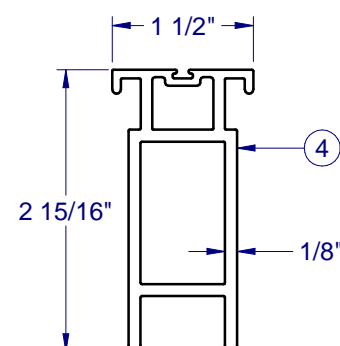
DOOR HEAD - 1833



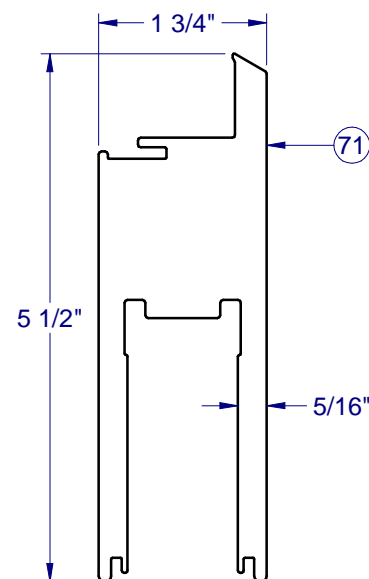
DOOR SILL - 1878



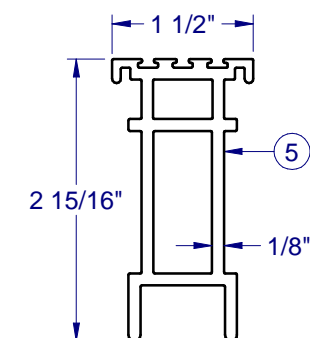
DOOR JAMB - 1880



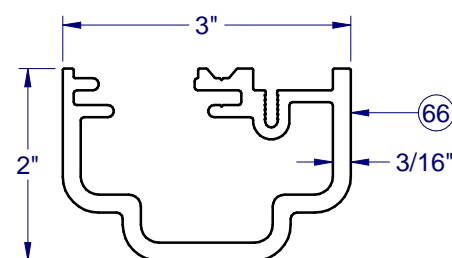
REINF. VERT. - 1825



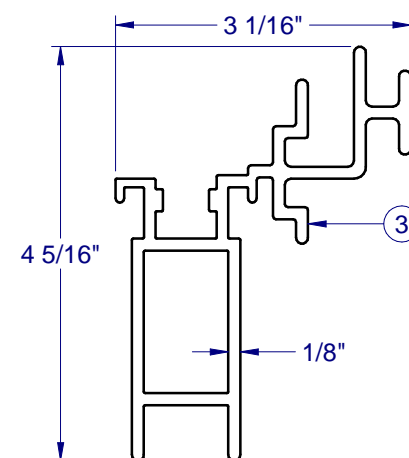
PVC DOOR PANEL - 6083



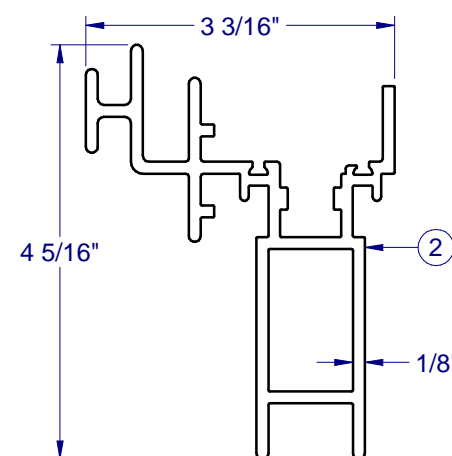
REINF. HORZ. - 1845



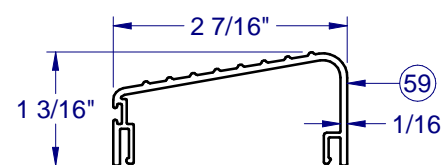
ASTRAGAL COVER - 1848



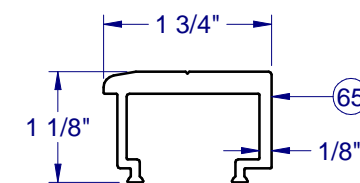
REINF. ACTIVE PANEL - 1846



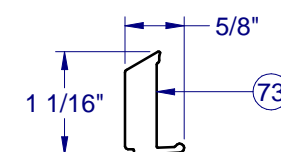
REINF. INACTIVE PANEL - 1847



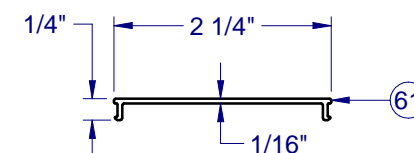
THRESHOLD - 1783



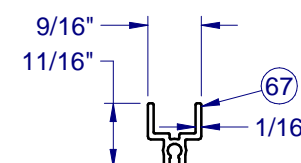
INSERT INACTIVE PNL - 1849



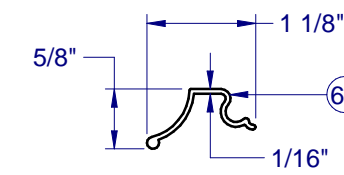
PVC GLAZING BEAD - 6084



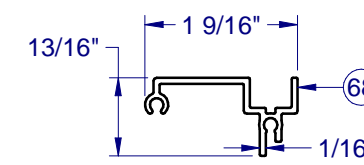
FRAME JAMB COVER - 1806



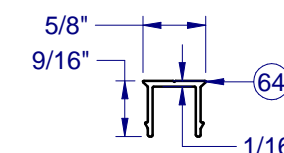
INSERT, FRONT - 1864



DRIP CAP - 1817



INSERT, BACK - 1865

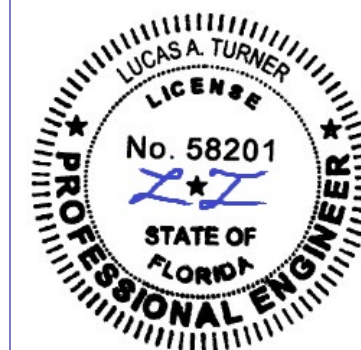


HEAD COVER - 1840

NOTE: ALL EXTRUSIONS ARE 6063-T6 ALUMINUM UNLESS OTHERWISE NOTED.

**8750 PVC
FRENCH DOOR
IMPACT**

PROPRIETARY AND CONFIDENTIAL
THE INFORMATION CONTAINED IN
THIS DRAWING IS THE SOLE
PROPERTY OF CUSTOM WINDOW
SYSTEMS, INC. ANY
REPRODUCTION IN PART OR AS A
WHOLE WITHOUT THE WRITTEN
PERMISSION OF CUSTOM WINDOW
SYSTEMS, INC IS PROHIBITED.

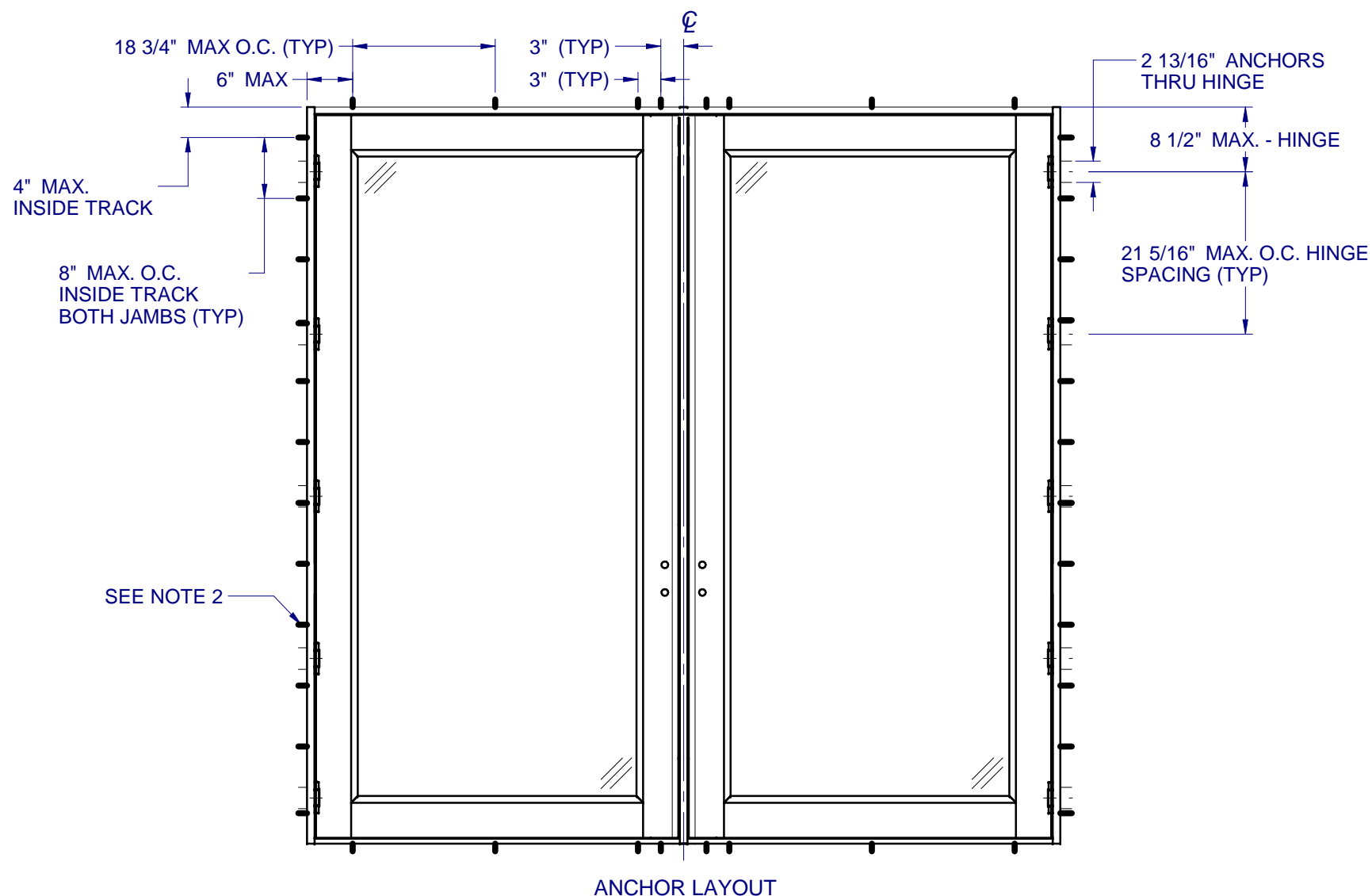


08/06/2020

LUCAS A. TURNER, P.E.
FL PE # 58201
2428 Old Natchez Trc Trl
Camden, TN 38320
PH. 941-380-1574

SHEET DESCRIPTION:
**ANCHOR SCHEDULE AND
NOTES**

DRAWN BY: ADE	DATE: 09/08/11
DWG #: CWS-839	REV.: C
SCALE: 1:20	SHEET 5 OF 6

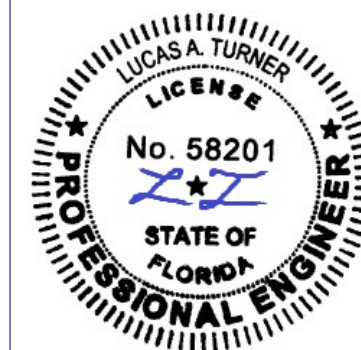


NOTES:

1. INSTALL ONE ANCHOR AT EACH JAMB LOCATION AND NSTALL TWO ANCHORS AT EACH HEAD & SILL LOCATION, SEE SHEET 6 FOR DETAILS. BOTH INSIDE TRACK ANCHORS AND HINGE ANCHORS ARE REQUIRED ON BOTH JAMBS. SILL ANCHOR SPACING SAME AS HEAD.
2. SHIM AS REQ AT EACH INSTALLATION ANCHOR USING LOAD BEARING SHIMS. MAX. ALLOWABLE SHIM STACK TO BE 1/4". USE SHIMS WHERE SPACE GREATER THAN 1/16" IS PRESENT. LOAD BEARING SHIMS SHALL BE CONSTRUCTED OF HIGH DENSITY PLASTIC OR BETTER. WOOD SHIMS ARE NOT ALLOWED.
3. ANCHOR TYPE, SIZE, SPACING AND EMBEDMENT SHALL BE AS SPECIFIED IN THESE DRAWINGS, SEE TABLE 1, SHEET 6.
4. ALL INSTALLATION ANCHORS MUST BE MADE OF OR PROTECTED WITH A CORROSION RESISTANT MATERIAL OR COATING. DISSIMILAR METALS OR MATERIALS IN CONTACT WITH PRESSURE TREATED WOOD MUST BE PROTECTED TO PREVENT REACTION.
5. INSTALLATION ANCHORS SHALL BE IN ACCORDANCE WITH ANCHOR MANUFACTURER'S INSTALLATION INSTRUCTIONS, AND ANCHORS SHALL NOT BE USED IN SUBSTRATES WITH STRENGTHS LESS THAN THE MINIMUM SPECIFIED IN TABLE 1, SHEET 6.
6. ANCHOR EMBEDMENT TO SUBSTRATE SHALL BE BEYOND WALL DRESSING OR STUCCO. FOR CONCRETE/CMU OPENINGS, EMBEDMENT SHALL BE BEYOND WOOD BUCKS, IF USED, INTO SUBSTRATE. INSTALLATIONS TO SOLID CONCRETE OR GROUT-FILLED CMU MAY INCLUDE BUT DO NOT REQUIRE 1X WOOD BUCKS BETWEEN THE PRODUCT AND THE SUBSTRATE. INSTALLATIONS TO HOLLOW CMU REQUIRE THE USE OF 1X BUCKS BETWEEN THE PRODUCT AND SUBSTRATE.
7. A MINIMUM 2-5/16" CENTER-TO-CENTER SPACING SHALL BE MAINTAINED BETWEEN ALL MASONRY FASTENERS AT THE HEAD AND SILL, 2-7/16" MIN. SHALL BE MAINTAINED AT THE HINGES, 3" MIN. SHALL BE MAINTAINED AT THE JAMBS AND ALL OTHER ANCHORS. A MINIMUM 1" CENTER-TO-CENTER SPACING SHALL BE MAINTAINED BETWEEN ALL WOOD AND METAL FASTENERS.
8. WOOD OR MASONRY OPENINGS, BUCKS AND BUCK FASTENERS SHALL BE PROPERLY DESIGNED BY THE ARCHITECT OR ENGINEER OF RECORD AND INSTALLED TO TRANSFER WIND LOADS TO THE STRUCTURE. SUBSTRATES SHALL MEET THE MINIMUM STRENGTH REQUIREMENTS AS SHOWN IN TABLE1, SHEET 8. CONCRETE AND MASONRY SUBSTRATES MAY NOT BE CRACKED.
9. SEALING AND FLASHING STRATEGIES FOR OVERALL WATER RESISTANCE OF INSTALLATION SHALL BE DONE BY OTHERS FOLLOWING THE CURRENT VERSION OF THE REFERENCE DOCUMENTS:
FMA/AAMA 100(FIN WINDOWS), FMA/AAMA 200(FLANGE WINDOWS), FMA/WDMA 250(BOX WINDOWS), FMA/AAMA/WDMA 300(EXTERIOR DOORS)

**8750 PVC
FRENCH DOOR
IMPACT**

PROPRIETARY AND CONFIDENTIAL
THE INFORMATION CONTAINED IN THIS DRAWING IS THE SOLE PROPERTY OF CUSTOM WINDOW SYSTEMS, INC. ANY REPRODUCTION IN PART OR AS A WHOLE WITHOUT THE WRITTEN PERMISSION OF CUSTOM WINDOW SYSTEMS, INC IS PROHIBITED.



08/06/2020

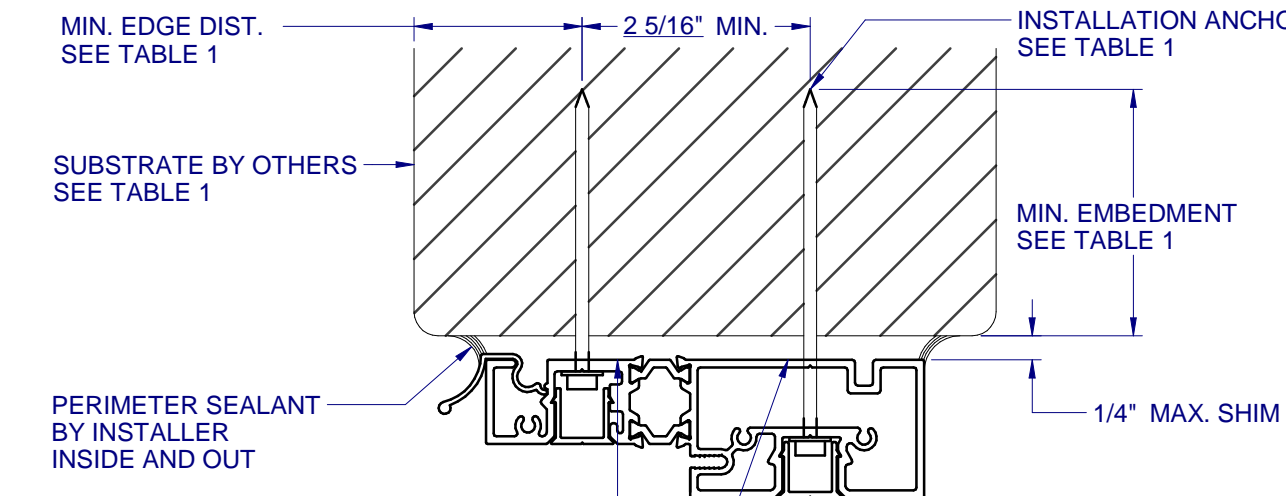
LUCAS A. TURNER, P.E.
FL PE # 58201
2428 Old Natchez Trc Trl
Camden, TN 38320
PH. 941-380-1574

SHEET DESCRIPTION:

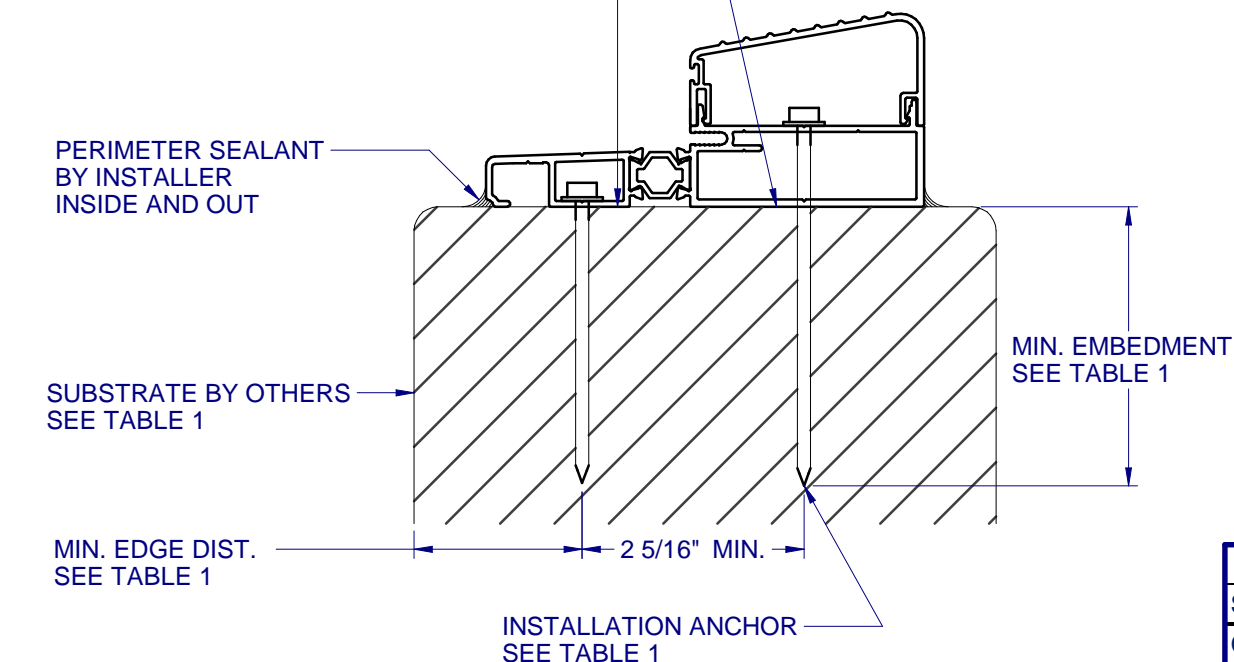
INSTALLATION DETAIL

DRAWN BY:	DATE:
ADE	09/08/11
DWG #:	REV.:
CWS-839	C
SCALE:	SHEET
1:2	6 OF 6

TYPICAL HEAD ANCHORAGE



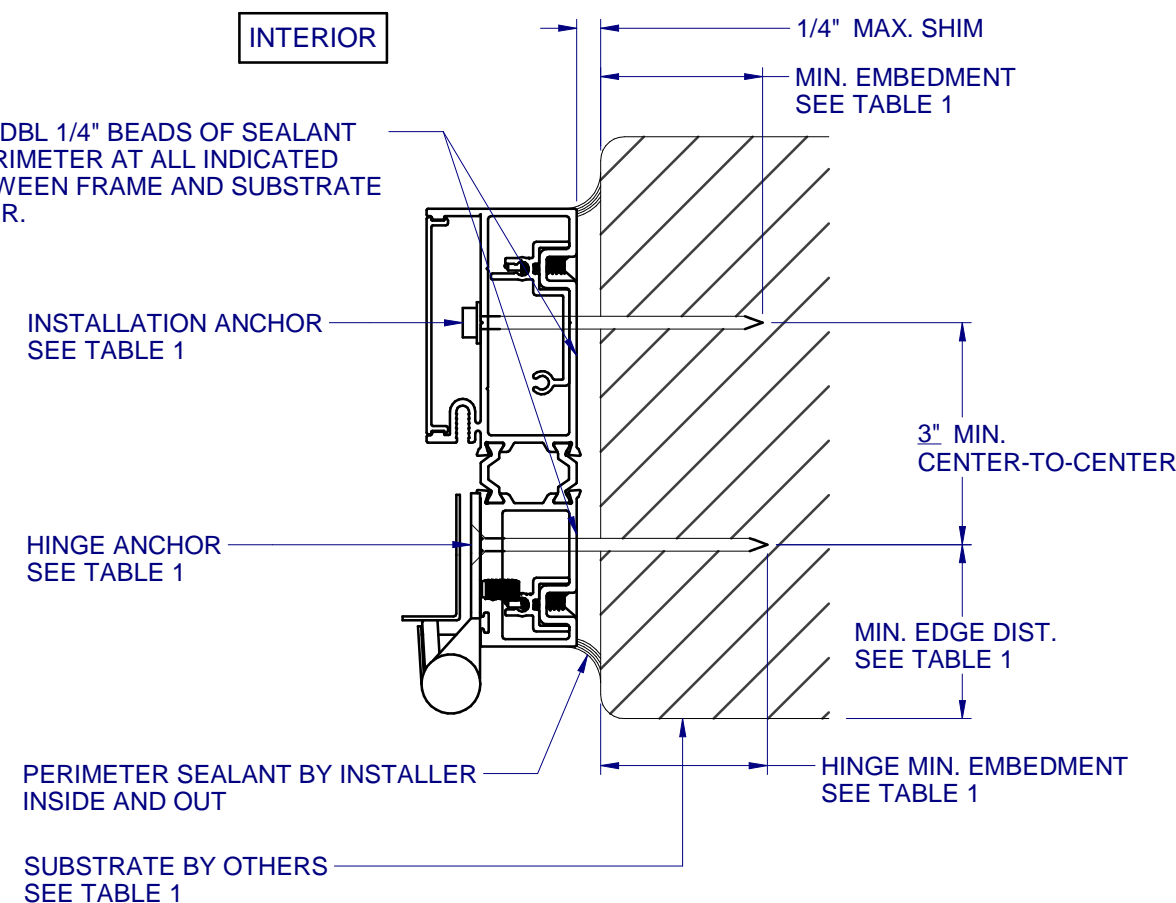
CONTINUOUS DBL 1/4" BEADS OF SEALANT AROUND PERIMETER AT ALL INDICATED POINTS BETWEEN FRAME AND SUBSTRATE BY INSTALLER.



A VERTICAL SECTION
6 TYPICAL SILL ANCHORAGE

INTERIOR

CONTINUOUS DBL 1/4" BEADS OF SEALANT AROUND PERIMETER AT ALL INDICATED POINTS BETWEEN FRAME AND SUBSTRATE BY INSTALLER.



B HORIZONTAL SECTION
6 TYPICAL JAMB / HINGE ANCHORAGE

TABLE 1: APPROVED INSTALLATION FASTENERS

SUBSTRATE TYPE	ANCHOR TYPE	MIN. EMBEDMENT	MIN. EDGE DIST.
CONCRETE (2.85 KSI MIN.)	1/4" ELCO ULTRACON	1-3/4"	2-1/2"
HOLLOW OR GROUT-FILLED CMU (ASTM C-90)	1/4" ELCO ULTRACON	1-1/4"	2-1/2"
2X MIN. SOUTHERN PINE (G=0.55)	1/4" ELCO ULTRACON	1-3/8"	7/8"
2X MIN. SOUTHERN PINE (G=0.55)	#12 WOOD SCREW	1-3/8"	7/8"
16 GAUGE (0.060") MIN. STEEL STUD (33 KSI YIELD MIN)	#12-14 HILTI KWIK-FLEX OR ITW TEKS SELF-DRILLING SCREW	FULL THREAD THRU 0.060"	1/2"
1/8" ALUM. (6063-T5 MIN.) OR 1/8" STEEL (33 KSI MIN.)	#12 GRADE 5 SELF-TAPPING / DRILLING SCREW	FULL THREAD THRU 0.125"	1/2"
HINGE ANCHORS INTO CONCRETE (2.85 KSI MIN.)	3/16" ELCO ULTRACON	1-3/4"	2-1/2"
HINGE ANCHORS INTO HOLLOW OR GROUT-FILLED CMU (ASTM C-90)	3/16" ELCO ULTRACON	1-1/4"	2-1/2"
HINGE ANCHORS INTO 2X MIN. SOUTHERN PINE (G=0.55)	#10 WOOD SCREW	1-3/8"	7/8"
HINGE ANCHORS INTO 16 GAUGE (0.060") MIN. STEEL STUD (33 KSI YIELD MIN)	#10-16 HILTI KWIK-FLEX OR ITW TEKS SELF-DRILLING SCREW	FULL THREAD THRU 0.060"	1/2"
HINGE ANCHORS 1/8" ALUM. (6063-T5 MIN.) OR 1/8" STEEL (33 KSI MIN.)	#10 GRADE 5 SELF-TAPPING / DRILLING SCREW	FULL THREAD THRU 0.125"	1/2"