

GENERAL NOTES:

1. CUSTOM HURRICANE PRODUCTS, INC. ROLL DOWN MESH IMPACT SCREEN, PRODUCT NAME "SUPERMAX", HAS BEEN DESIGNED AND TESTED IN ACCORDANCE WITH FLORIDA BUILDING CODE 2014 CHAPTER 16 FOR LARGE MISSILE IMPACT NOT INCLUDING WITHIN THE HIGH VELOCITY HURRICANE ZONE, AND MEETS THE NON-POROUS REQUIREMENTS FOR ASTM E1996 FOR OUTSIDE OF HIGH VELOCITY HURRICANE ZONES. ALLOWABLE WIND LOADS SHALL BE IN ACCORDANCE WITH ASCE 7-10, AND FOR A BASIC WIND SPEED AS REQUIRED BY THE JURISDICTION WHERE THE ROLL DOWN MESH IMPACT SCREEN WILL BE INSTALLED.
2. TESTED PER ASTM E1886-05, ASTM E1996-05, AND ASTM E330-02 WITH MISSILE IMPACTS CORRESPONDING TO MISSILE LEVEL E AND WIND ZONE 1,2, 3, AND 4 TO MEET IMPACT, DEFLECTION, AND FATIGUE RESISTANCE PER FBC1609.1.2
3. UNIT WIDTH OR THE DISTANCE BETWEEN SUPPORTED SIDES SHOWN IS MAXIMUM ALLOWABLE WITHOUT SITE-SPECIFIC ENGINEERING. SCREEN HEIGHT IS LIMITED TO 24'-0".
4. NO ALLOWABLE STRESS INCREASE HAS BEEN USED IN THE DESIGN OF THE ROLL DOWN MESH IMPACT SCREEN.
5. ANCHORING OF SIDE RAILS SHALL BE WITH 5/16" TAPCON XL BY ITWREDHEAD @ 6" O.C. WITH MIN. 2-1/4" EMBED FOR 3"x3" TUBE.
6. ANCHORING OF SIDE RAILS SHALL BE WITH 1/4" SAMMY SSC BY ITWREDHEAD @ 6" O.C. WITH MIN. 2-1/4" EMBED.
7. INSTALLATION OF FASTENERS INTO SUBSTRATE SHALL BE INTO CONCRETE OR GROUT SOLID CMU. ADEQUACY OF EXISTING STRUCTURE SHALL BE DETERMINED BY OTHERS.
8. THE PRODUCT EVALUATION DOCUMENT AND INSTALLATION INSTRUCTIONS ARE GENERIC AND DOES NOT PROVIDE INFORMATION FOR SITE SPECIFIC PROJECTS (ANYTHING DEVIATING FROM THESE DOCUMENTS AND INSTALLATION INSTRUCTIONS). ALL SITE SPECIFIC PROJECTS SHALL REQUIRE A FLORIDA REGISTERED PROFESSIONAL ENGINEER SEAL WHOM SHALL TAKE ALL RESPONSIBILITIES OF THE PRODUCT.
9. FINAL SCREEN FABRIC SHALL BE MIN. 27-MIL
10. FINAL SCREEN FABRIC SHALL HAVE POROSITY <= 10%.
11. SEE SHEET 2 FOR FABRIC SPECIFICATIONS.
15. MAX. ALLOWABLE DESIGN PRESSURES SHALL NOT EXCEED +/- 75 psf.
13. THE PRODUCT SHALL BE LABELED IN ACCORDANCE WITH FBC - 1710.8

PRODUCT LABEL:

CUSTOM HURRICANE PRODUCTS
 2024 58th Ave Circle East
 Bradenton, FL 34203
 THIS PRODUCT SHALL BE INSTALLED AND USED ONLY AS INTENDED PER THE INSTALLATION INSTRUCTIONS. THIS PRODUCT DOES NOT MEET ASTM D1929, ASTM E84, ASTM D2843, ASTM D635, AAMA 1600, OR ASTM G15, ASTM D2525, ASTM D255
 FLORIDA BUILDING COMMISSION APPROVAL: FL#16380.1
 TEST STANDARDS: ASTM E1886-05, ASTM E1996-05, ASTM E330-02
 OPENING # _____
 DO NOT REMOVE LABEL

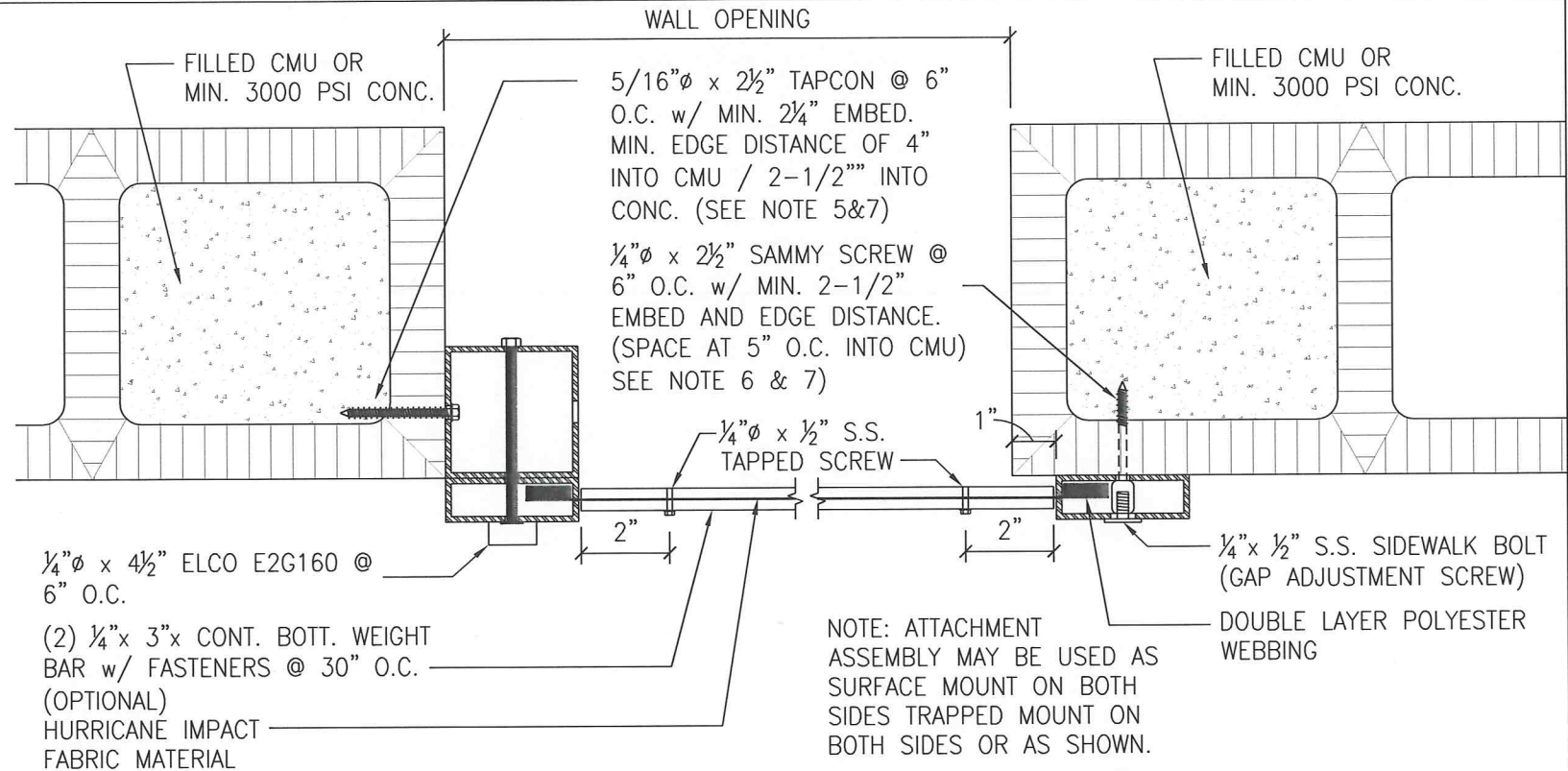
GLASS SEPARATION + SCREEN DEFLECTION TABLE

W (CLEAR SPAN)	207"	180"	169"	121"	108"	84" or LESS
SEPARATION DISTANCES BETWEEN PROTECTED GLAZING AND SCREEN AT ZONE 4 AND ESSENTIAL BUILDINGS	20"	16"	14"	12"	10"	8"

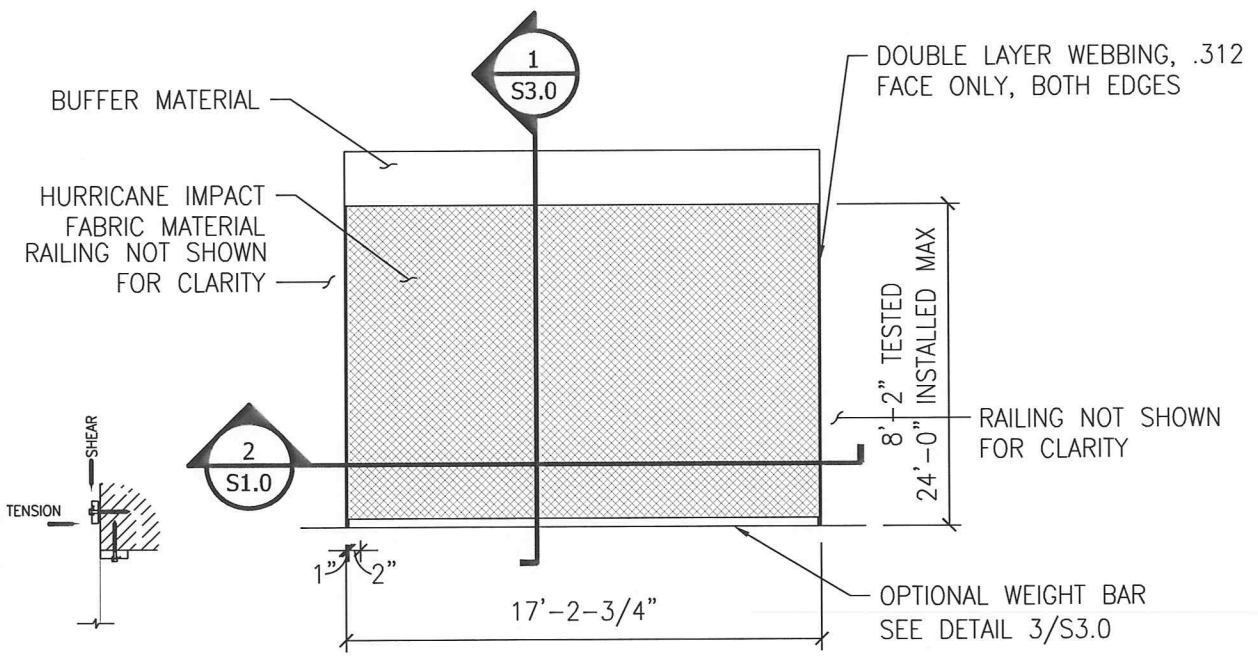
LOADS ON STRUCTURE		
75 PSF		
W	TENSION	SHEAR
17'-2"	650 #/FT	1890 #/FT
15'-0"	565 #/FT	1635 #/FT
13'-0"	488 #/FT	1415 #/FT
11'-0"	415 #/FT	1200 #/FT
9'-0"	340 #/FT	980 #/FT
7'-0"	265 #/FT	765 #/FT
OR <		

NOTE: FOR LOADS ON STRUCTURES FOR WIND PRESSURES LESS THAN 75 PSF, VALUES IN THE TABLE MAYBE OBTAINED BY THE FOLLOWING FORMULA:

VALUE FROM TABLE X PRESSURE DESIRED / 75 PSF



2 SECTION - SIDE RAILS TO CMU
N.T.S.



1 TYPICAL - SINGLE UNIT ELEVATION
N.T.S.

CUSTOM HURRICANE PRODUCTS
 "SUPER MAX" SCREEN

Project Name:

Drawn: GAT
 Checked: TB
 REC File: 06CS-0397
 Scale: SEE SHEET
 Date: 2015-04-20

Karins Engineering Group, Inc.

FL. Cert. of Auth. # 8371
 2017 Fiesta Drive
 Sarasota, FL 34231
 (941) 927-8525 / Fax (941) 927-8075
 David G. Karins, PE
 FL Registration # 152677

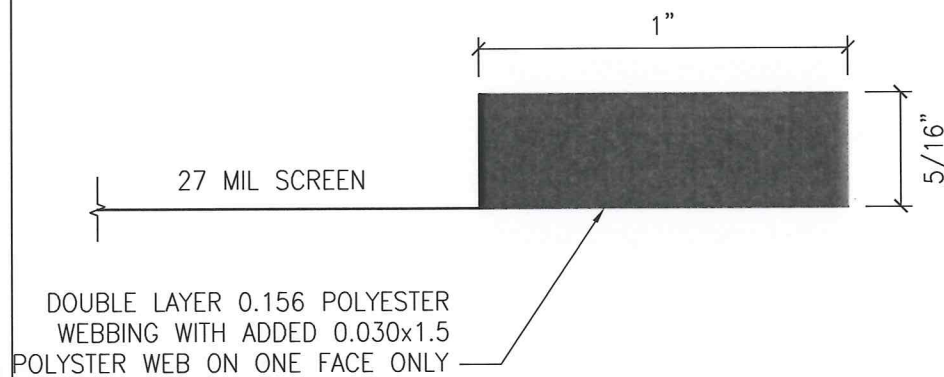
DAVID G. KARINS
 LICENSE
 No. 0052677
 STATE OF FLORIDA
 APR 20 2015
 TO THE BEST OF MY KNOWLEDGE AND ABILITY, THE COMPLETED STRUCTURE DEPICTED ON THESE PLANS COMPLIES WITH APPLICABLE MINIMUM BUILDING CODES.

Sheet No: S1.0

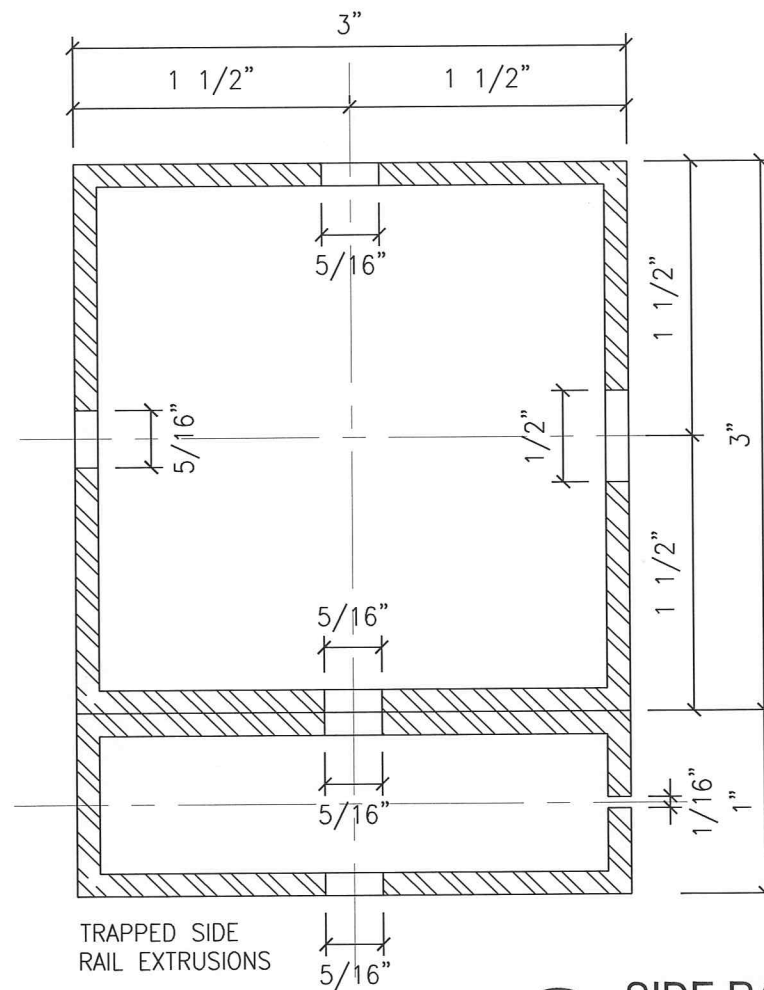
FABRIC PROPERTIES				
PROPERTY	TEST METHOD	WARP	FILL	TYPICAL
CONSTRUCTION	ASTM D-3375	22.0+/- .5	13.5+/- .5	
WEIGHT, OZ/YD ²	ASTM D-3376			19.524
TENSILE STRENGTH (GRAB), LBF	ASTM D-5034	711.3	748.9	
TENSILE STRENGTH (STRIP), LBF	ASTM D-5035	416.7	251.4	
TEAR STRENGTH, (TRAPEZOIDAL), LBF	ASTM D-1117	181.6	285.0	
ELONGATION, %	ASTM D-5035	42.8	12.3	
ABRASION RESISTANCE	ASTM D-3884	NO EXPOSURE TO CORE YARN		
WEATHERABILITY, 1200 HRS	ASTM G-53	TRACE DISCOLORATION		
BALL BURST, LBF	ASTM D-3787			460+
BURSTING STRENGTH, PSI	ASTM D-3786			1250+
PUNCTURE RESISTANCE, LBF	ASTM D-4833			364

POROSITY CALCULATION - 9% OPEN

THE ABOVE MATERIAL PROPERTIES ARE FOR A 0.027" DIAMETER VINYL COATED 1500 DENIER POLYESTER CORE YARNS IN WARP AND 0.030" DIAMETER VINYL COATED 2000 DENIER TWARON CORE YARNS IN FILL. BLACK OR TAN COLORED FABRIC PRODUCED BY TWITCHELL CORPORATION.

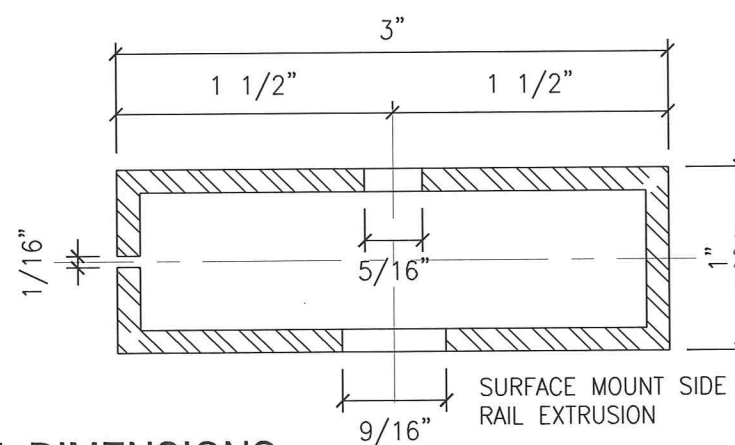


2 SIDE RAIL CONNECTIONS
SCALE: NTS



1 SIDE RAIL DIMENSIONS
SCALE: NTS

ALL ALUMINUM EXTRUSIONS TO BE 1/8" THICKNESS AND 6063



CUSTOM HURRICANE PRODUCTS
"SUPER MAX" SCREEN

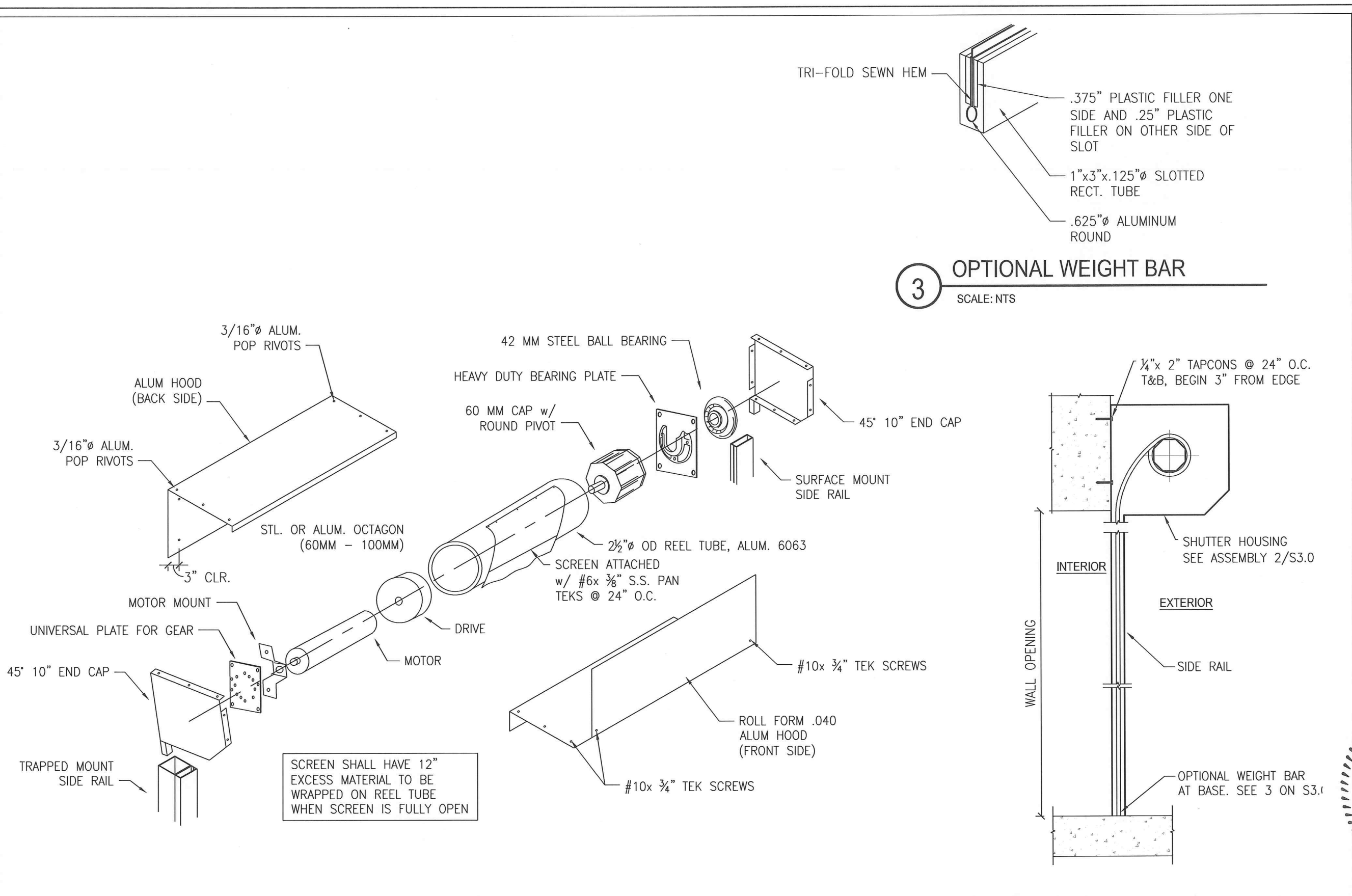
Project Name:
Drawn: GAT
Checked: TB
KEG File#: 06CS-0397
Scale: SEE SHEET
Date: 2015-04-20

KE Karins Engineering Group, Inc.

FL. Cert. of Auth. # 8371
2017 Fiesta Drive
Sarasota, FL 34231
(941) 927-8525/ Fax (941) 927-8075
David G. Karins, PE
FL. Reg. # 92677

DAVID G. KARINS
LICENSE
No. 0052677
STATE OF FLORIDA
APR 30 2015
TO THE BEST OF MY KNOWLEDGE AND ABILITY, THE COMPLETED STRUCTURE DERIVED ON THESE PLANS COMPLES WITH APPLICABLE MINIMUM BUILDING CODES!

Sheet No.: S2.0



CUSTOM HURRICANE PRODUCTS
"SUPER MAX" SCREEN

Project Name:

Drawn:	GAT
Checked:	TB
REG File#:	06CS-0397
Scale:	SEE SHEET
Date:	2015-04-20

K Karins Engineering Group, Inc.

FL. Cert. of Auth. # 8371
2017 Fiesta Drive
Sarasota, FL 34231
(941) 527-8525 / Fax (941) 527-8075
David C. Karins, P.E.
FL Registration # 52677

PROFESSIONAL ENGINEER
No. 0052677
STATE OF FLORIDA
APR 20 2015

TO THE BEST OF MY KNOWLEDGE AND ABILITY, THE COMPLETED STRUCTURE DEPICTED ON THESE PLANS COMPLIES WITH APPLICABLE MINIMUM BUILDING CODES.

Sheet No.: **S3.0**