



1 COCHRANE AVE. PENNSBORO, WV 26415 PH.
800-426-2249

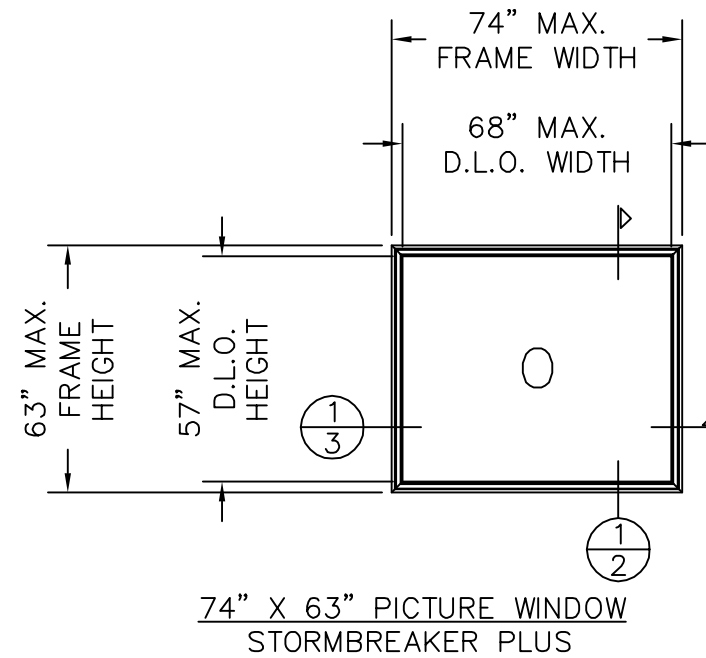
STORMBREAKER PLUS 300VL IMPACT RESISTANT VINYL PICTURE (FIXED) WINDOW

GENERAL NOTES:

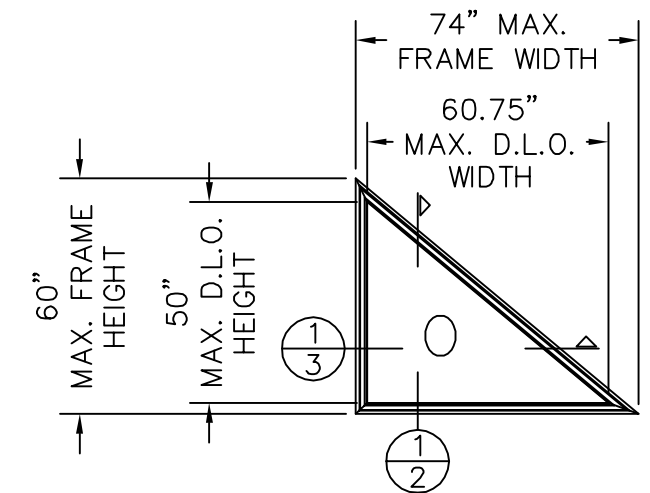
1. THIS PRODUCT HAS BEEN DESIGNED AND TESTED TO COMPLY WITH THE 6TH EDITION (2017) FLORIDA BUILDING CODES, INCLUDING THE HIGH VELOCITY HURRICANE ZONE.
2. BASED ON LABORATORY TESTING, THIS PRODUCT IS COMPLIANT WITH TAS 201/202/203 FOR LARGE MISSILE IMPACT PERFORMANCE. SHUTTERS ARE NOT REQUIRED.
3. GLAZING AS INDICATED HEREIN COMPLIES WITH ASTM E 1300-04E01/09
4. HIGH QUALITY SILICONE CAULK SHALL BE USED AROUND ENTIRE WINDOW PERIMETER, INSIDE AND OUT, BY INSTALLER.
5. WOOD BUCKS (BY OTHERS) MUST SUSTAIN ALL IMPOSED LOADS. THE CONTRACTOR IS RESPONSIBLE FOR MAINTAINING WINDOW OPENING AND ALL WOOD FRAMING AROUND WINDOW. WOOD BUCKS, BY OTHERS, MUST BE PROPERLY ANCHORED TO TRANSFER LOADS TO THE STRUCTURE AS APPROVED BY THE AUTHORITY HAVING JURISDICTION.
6. SEALING AND FLASHING STRATEGIES FOR OVERALL WATER INFILTRATION RESISTANCE OF INSTALLED PRODUCT ARE THE RESPONSIBILITY OF OTHERS.
7. ALL FASTENERS PENETRATING INTO PRESSURE TREATED WOOD SHALL BE CAPABLE OF PREVENTING CORROSION DUE TO REACTION WITH PRESSURE TREATMENT CHEMICALS. ANY DISSIMILAR MATERIALS THAT COME INTO CONTACT SHALL BE PROTECTED TO PREVENT GALVANIC REACTIONS IN ACCORDANCE WITH CODE REQUIREMENTS.
8. A WINDLOAD DURATION FACTOR $C_d = 1.6$ WAS USED FOR THE ANALYSIS OF WOOD SCREWS ONLY.

ALL MODELS ARE VIEWED FROM THE EXTERIOR

REV. #	REVISIONS:	REVISED BY:	DATE:
1	UPDATED FOR 5TH ED. (2014) FBC	LAT	4/27/2015
2	UPDATED TO 6TH ED. (2017) FBC	LMH	08/25/17
.	.	.	.
.	.	.	.
.	.	.	.

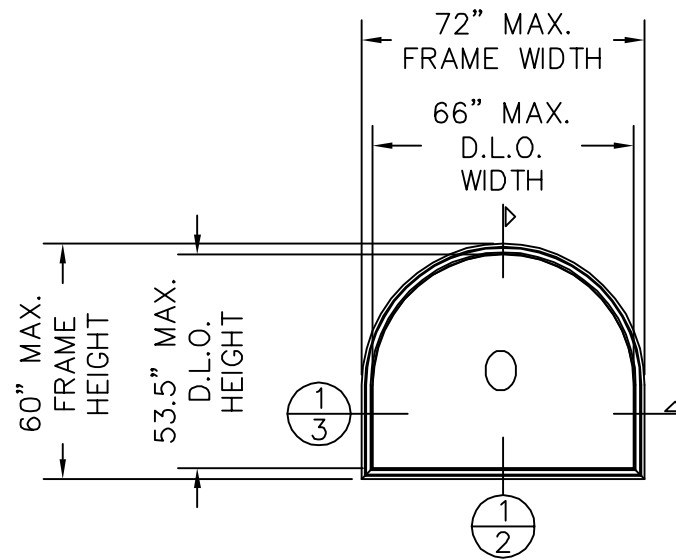


DESIGN PRESSURE RATING	IMPACT RATING:
+65.0 PSF -65.0 PSF	SMALL & LARGE MISSILE IMPACT



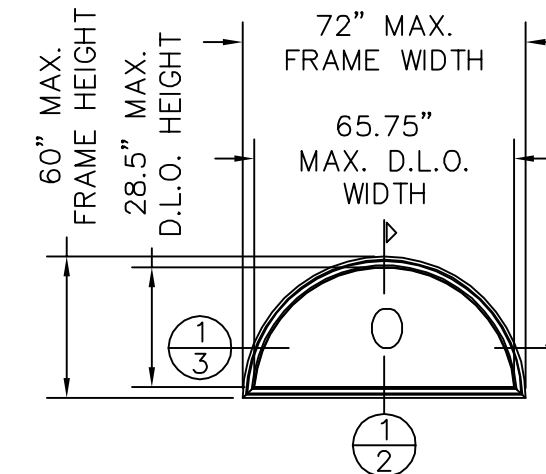
72" X 60" PICTURE WINDOW
STORMBREAKER PLUS TRIANGLE

DESIGN PRESSURE RATING	IMPACT RATING:
+65.0 PSF -65.0 PSF	SMALL & LARGE MISSILE IMPACT



72" X 60" PICTURE WINDOW
STORMBREAKER PLUS HALF ROUND W/ LEGS

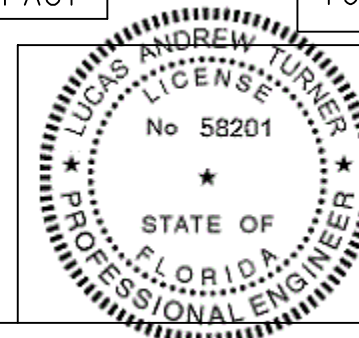
DESIGN PRESSURE RATING	IMPACT RATING:
+65.0 PSF -65.0 PSF	SMALL & LARGE MISSILE IMPACT



72" X 36" PICTURE WINDOW
STORMBREAKER PLUS HALF ROUND

DESIGN PRESSURE RATING	IMPACT RATING:
+65.0 PSF -65.0 PSF	SMALL & LARGE MISSILE IMPACT

TABLE OF CONTENTS	
SHEET #	DESCRIPTION
1	GEN. NOTES, TYPICAL ELEVATIONS, TABLE OF CONTENTS
2	VERTICAL CROSS SECTIONS
3	HORIZONTAL CROSS SECTIONS
4	ANCHORING LOCATIONS
5	GLAZING DETAILS, COMPONENTS & BILL OF MATERIALS



9/27/2017
LUCAS A. TURNER, P.E.
FL PE # 58201
TURNER ENGINEERING & CONSULTING, INC.
(COA # 29779)
1239 JABARA AVE.
NORTH PORT, FL 34288
PH. 941-380-1574

SIMONTON WINDOWS
1 Cochrane Avenue
Pennsboro, WV 26415

SIZE: DRAWING NO.:
B DA0013

REV. # 2

DRAWN BY: T.D.D. DATE: 05-16-13

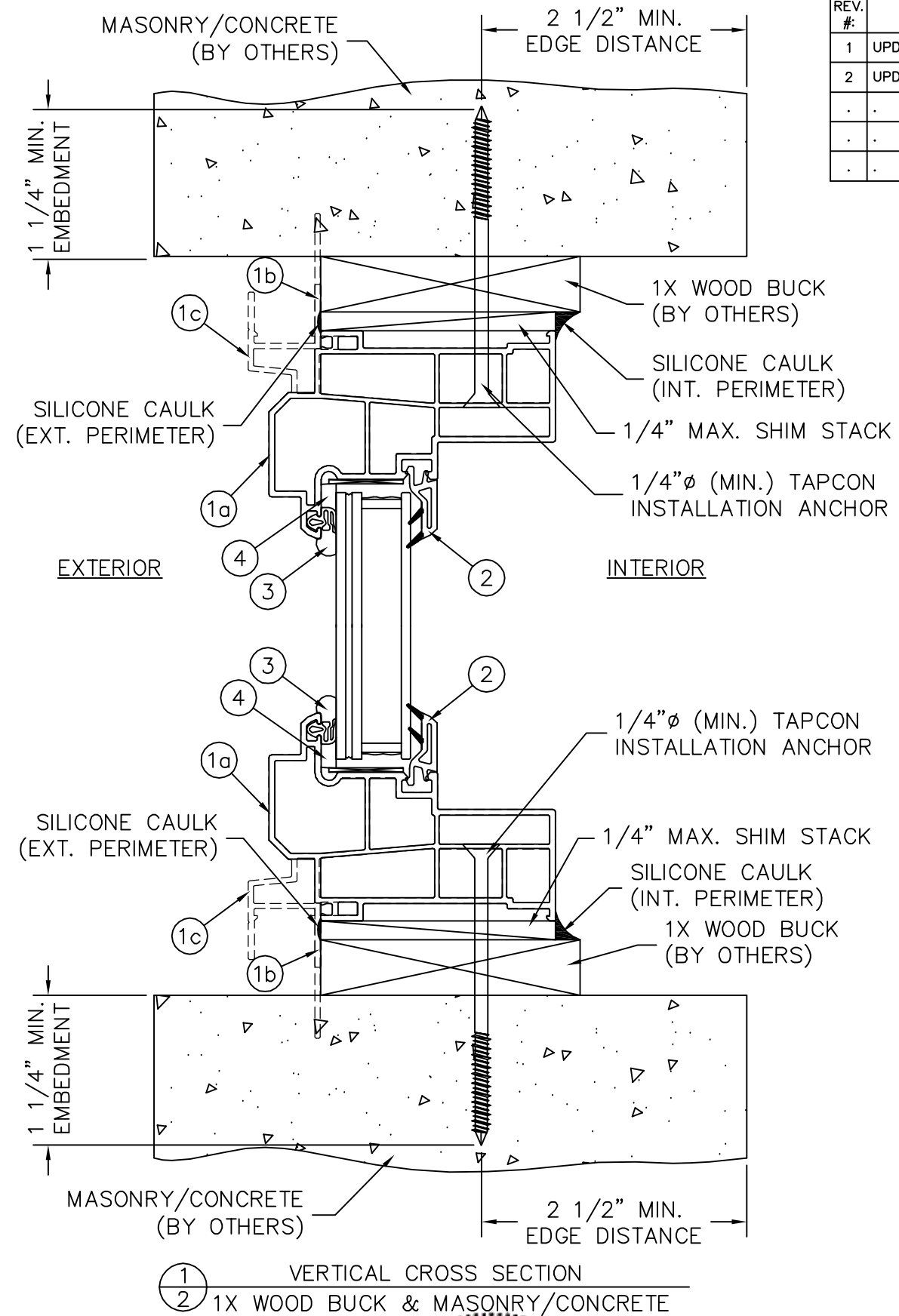
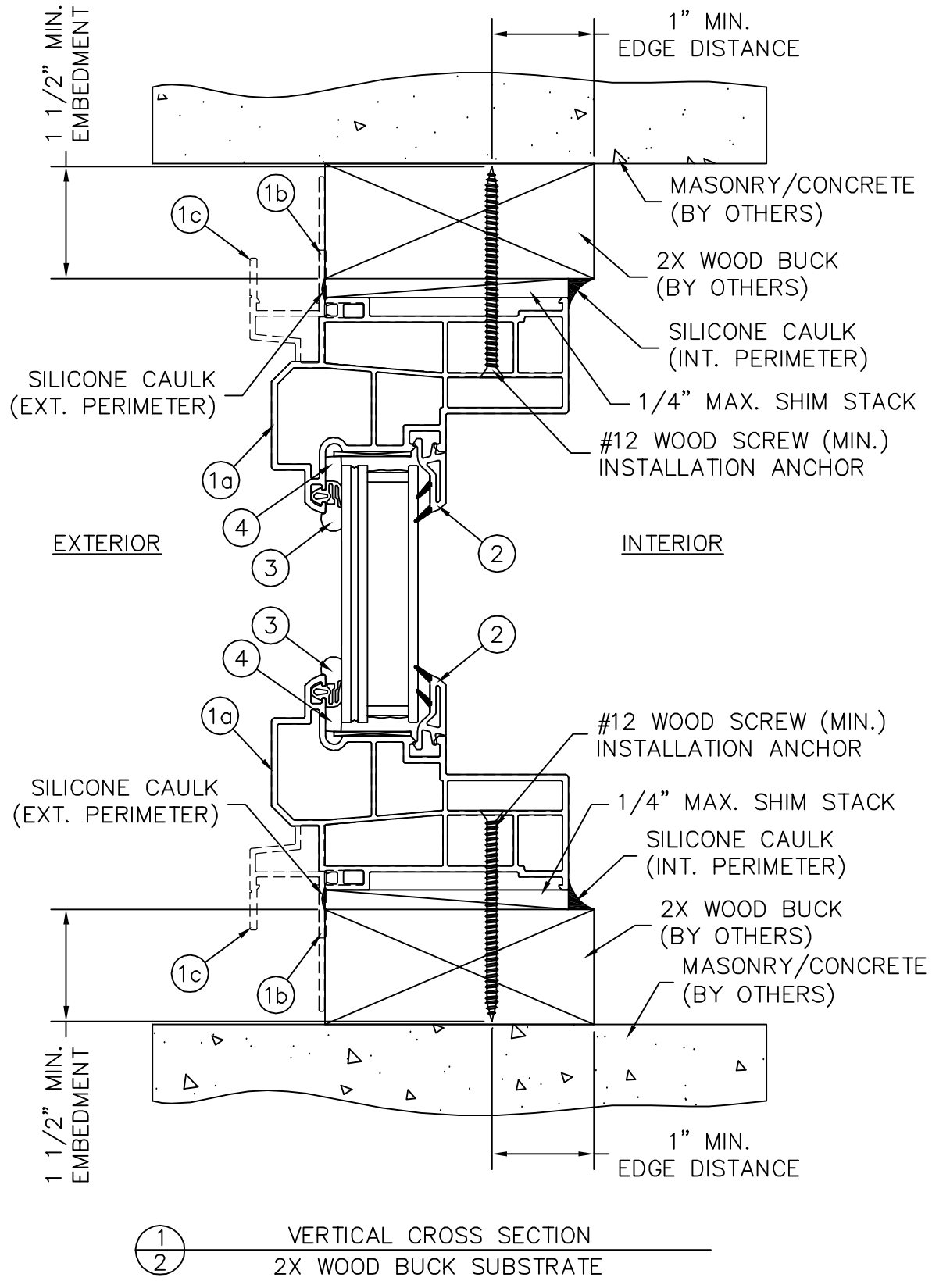
CHECKED BY: DATE:

SCALE: FIT SHEET: 1 of 5 APPR'VD BY: DATE:

SERIES: STORMBREAKER PLUS 300VL PICTURE (FIXED) WINDOW

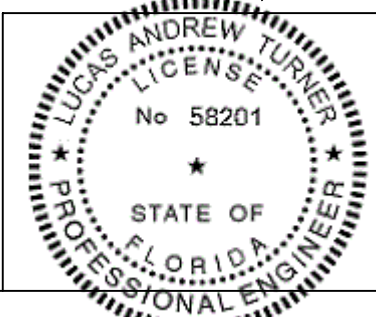
TITLE: GENERAL NOTES & TYPICAL ELEVATIONS

REV. #	REVISIONS:	REVISED BY:	DATE:
1	UPDATED FOR 5TH ED. (2014) FBC	LAT	4/27/2015
2	UPDATED TO 6TH ED. (2017) FBC	LMH	08/25/17



NOTES:

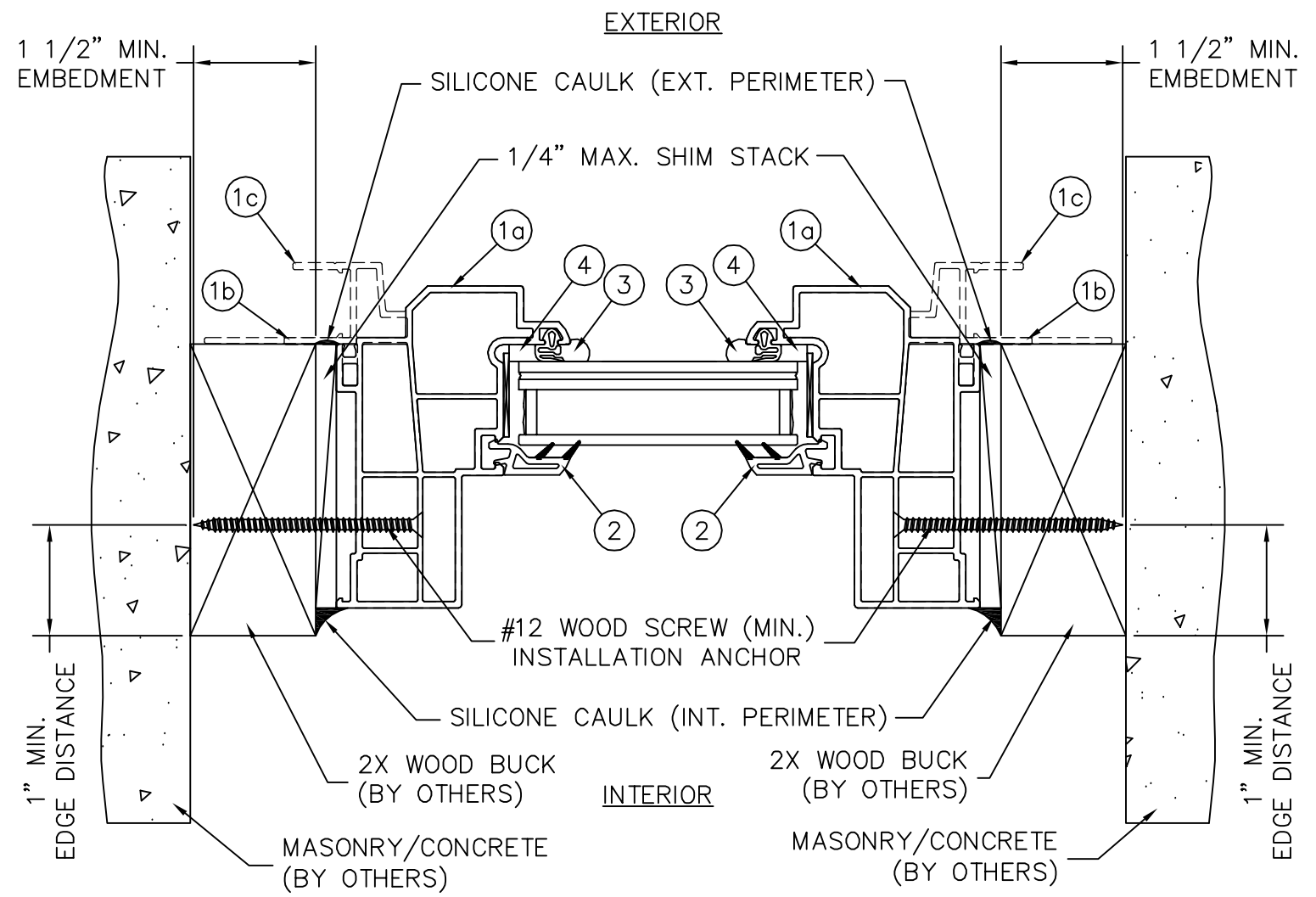
- SHIMS SHALL BE A "RIGID/STIFF" MATERIAL, PLASTIC OR METAL. SHIMS MUST BE USED WHEN GAP OF GREATER THAN 1/16" BETWEEN FRAME AND OPENING IS PRESENT AT THE ANCHOR LOCATION. MAX. SHIM STACK = 1/4".
- ONLY MIAMI-DADE COUNTY APPROVED CORROSION RESISTANT FASTENERS AND ELCO ULTRACON FASTENERS SHALL BE USED. WINDOW INSTALLERS SHALL FOLLOW ALL MANUFACTURER'S INSTRUCTIONS.
- WOOD SHALL BE SPRUCE-PINE-FIR MIN. WITH G=0.42 MIN. MASONRY SHALL BE 2 KSI MIN. CONCRETE OR ASTM C90 CMU (117 PCF MIN.)



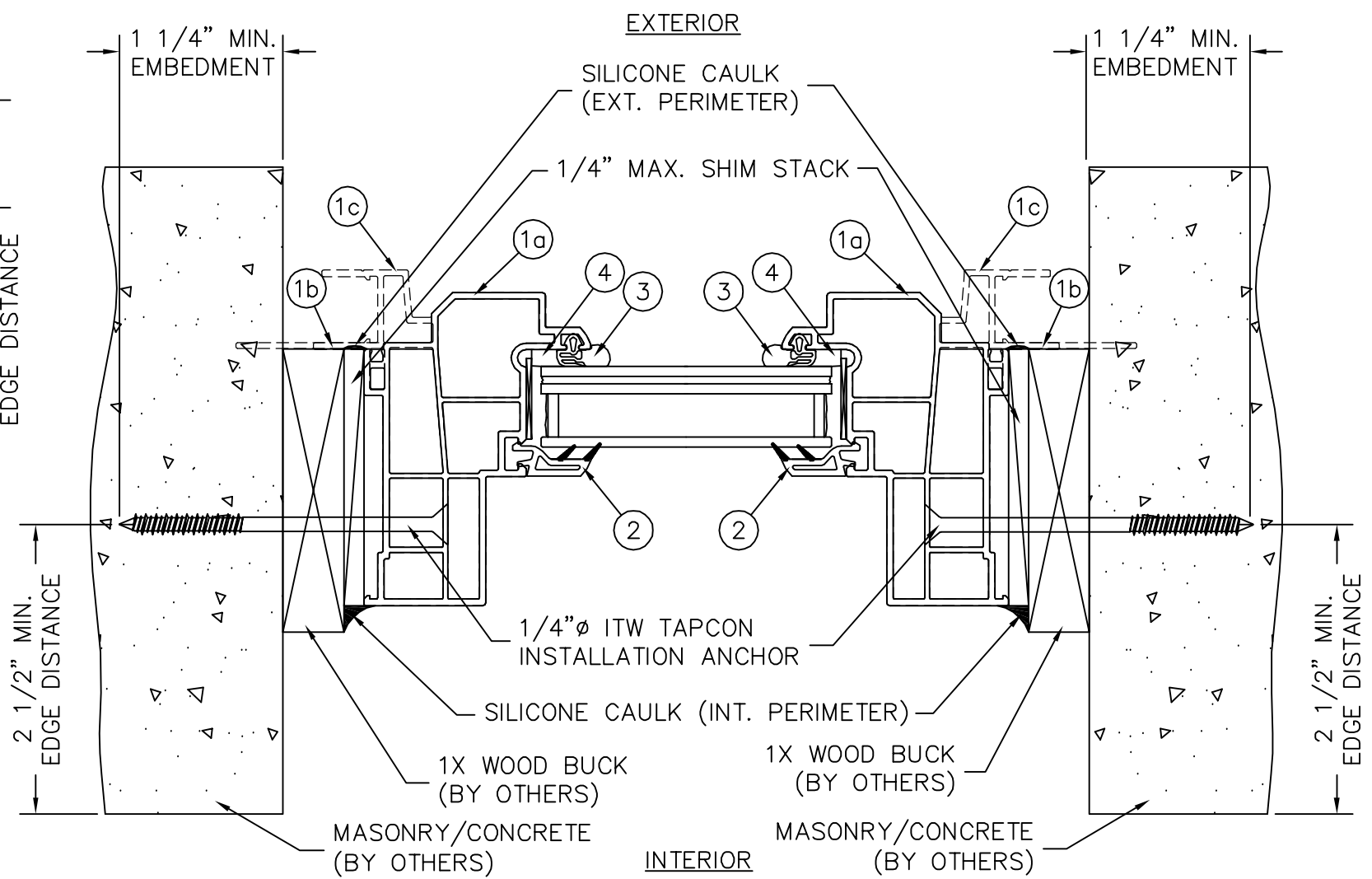
ZZ
 9/27/2017
 LUCAS A. TURNER, P.E.
 FL PE # 58201
 TURNER ENGINEERING & CONSULTING, INC.
 (COA # 29779)
 1239 JABARA AVE.
 NORTH PORT, FL 34288
 PH. 941-380-1574

	SIZE: DRAWING NO.:	REV.:
	B DA0013	2
1 Cochrane Avenue Pennsboro, WV 26415	DRAWN BY:	DATE:
	T.D.D.	05/16/13
SCALE: FIT	SHEET: 2 of 5	APPR'VD BY: DATE:
SERIES: STORMBREAKER PLUS 300VL PICTURE (FIXED) WINDOW		
TITLE: VERTICAL CROSS SECTIONS		

REV. #	REVISIONS:	REVISED BY:	DATE:
1	UPDATED FOR 5TH ED. (2014) FBC	LAT	4/27/2015
2	UPDATED TO 6TH ED. (2017) FBC	LMH	08/25/17
.	.	.	.
.	.	.	.
.	.	.	.



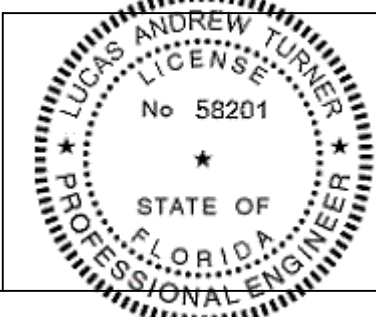
1
3 HORIZONTAL CROSS SECTION
2X SUB BUCK STANDARD PICTURE WINDOW



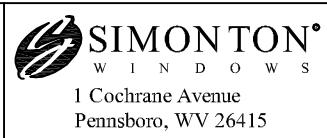
1
3 HORIZONTAL CROSS SECTION
1X SUB BUCK STANDARD PICTURE WINDOW

NOTES:

- SHIMS SHALL BE A "RIGID/STIFF" MATERIAL, PLASTIC OR METAL. SHIMS MUST BE USED WHEN GAP OF GREATER THAN 1/16" BETWEEN FRAME AND OPENING IS PRESENT AT THE ANCHOR LOCATION. MAX. SHIM STACK = 1/4".
- ONLY MIAMI-DADE COUNTY APPROVED CORROSION RESISTANT FASTENERS AND ELCO ULTRACON FASTENERS SHALL BE USED. WINDOW INSTALLERS SHALL FOLLOW ALL MANUFACTURER'S INSTRUCTIONS.
- WOOD SHALL BE SPRUCE-PINE-FIR MIN. WITH G=0.42 MIN. MASONRY SHALL BE 2 KSI MIN. CONCRETE OR ASTM C90 CMU (117 PCF MIN.)

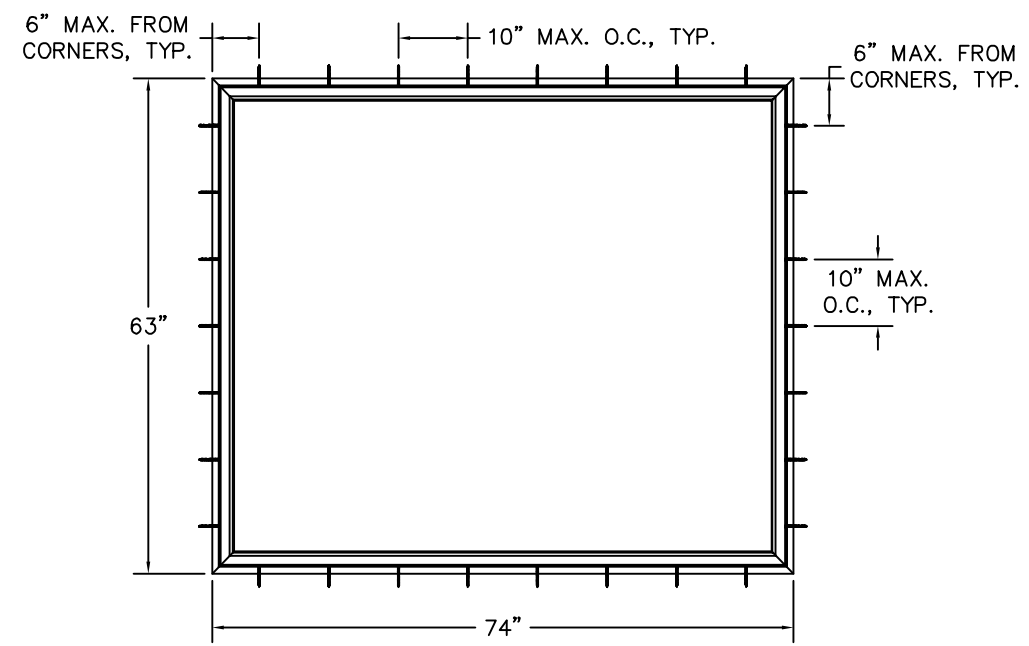


12
9/27/2017
LUCAS A. TURNER, P.E.
FL PE # 58201
TURNER ENGINEERING & CONSULTING, INC.
(COA # 29779)
1239 JABARA AVE.
NORTH PORT, FL 34288
PH. 941-380-1574

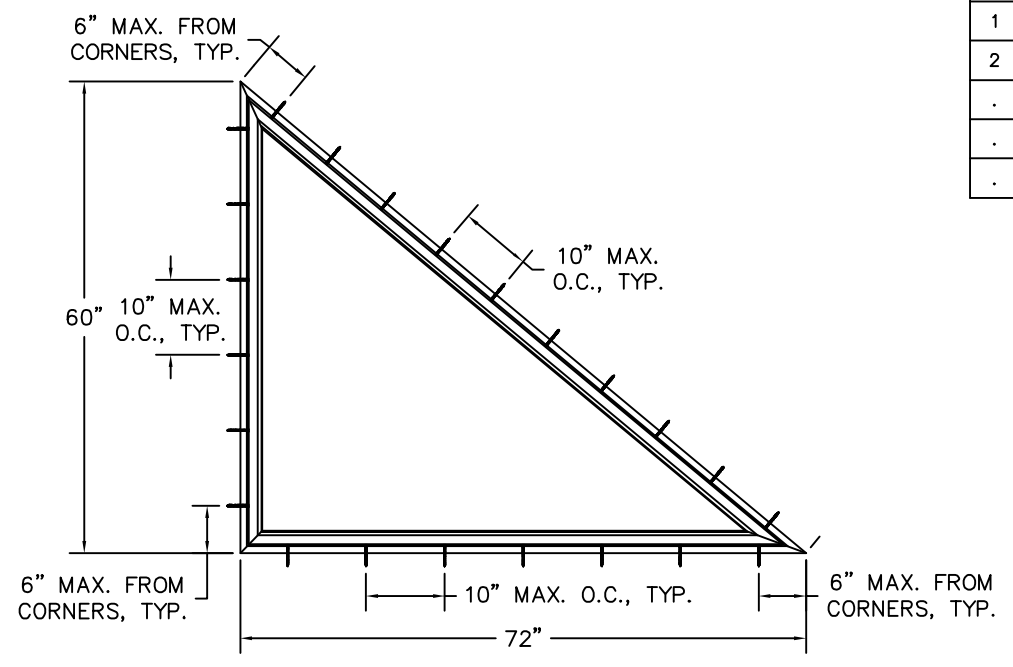


SIZE: B	DRAWING NO.: DA0013	REV.: 2
DRAWN BY: T.D.D.	DATE: 05/16/13	
CHECKED BY:	DATE:	
SCALE: FIT	SHEET: 3 of 5	APPR'VD BY: DATE:
SERIES: STORMBREAKER PLUS 300VL PICTURE (FIXED) WINDOW		
TITLE: HORIZONTAL CROSS SECTIONS		

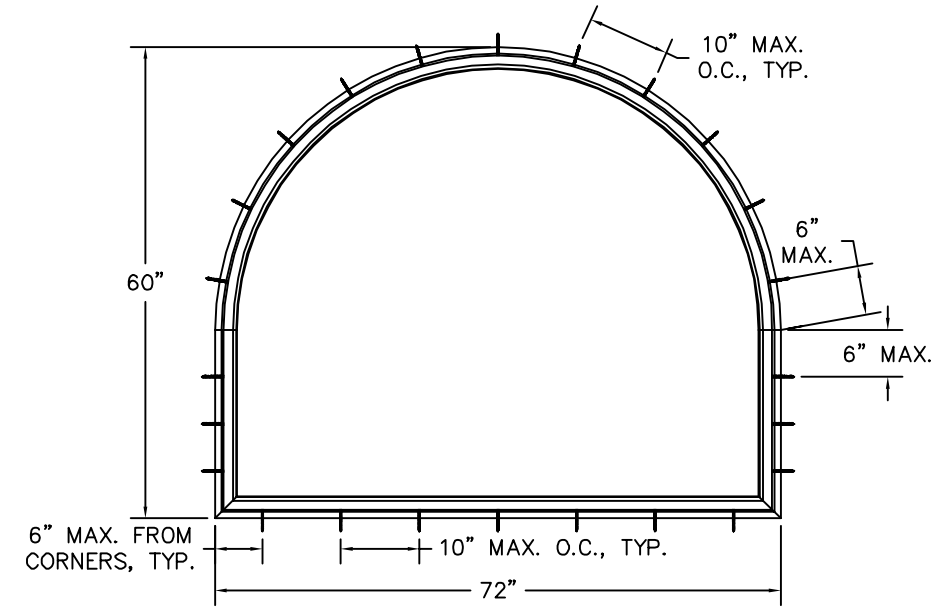
REV. #:	REVISIONS:	REVISED BY:	DATE:
1	UPDATED FOR 5TH ED. (2014) FBC	LAT	4/27/2015
2	UPDATED TO 6TH ED. (2017) FBC	LMH	08/25/17
.	.	.	.
.	.	.	.
.	.	.	.



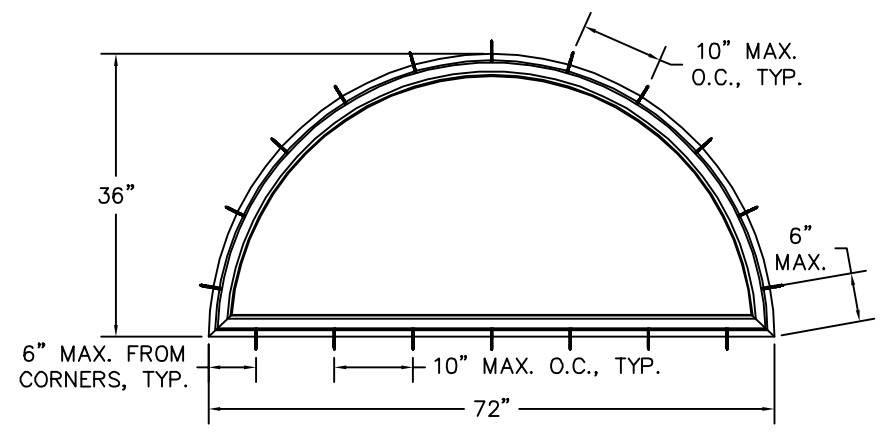
74" X 63" PICTURE WINDOW
ANCHORING LOCATIONS



72" X 60" UNEQUAL LEG TRIANGLE
ANCHORING LOCATIONS

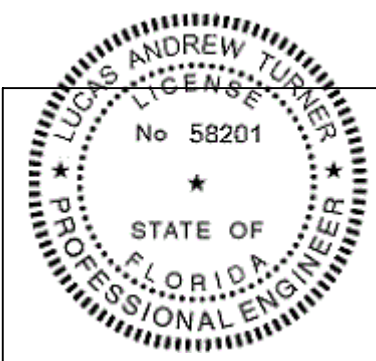


72" X 60" HALF ROUND W/ EQUAL LEGS
ANCHORING LOCATIONS



72" X 36" HALF ROUND
ANCHORING LOCATIONS

- NOTES:**
1. WHEN ANCHORING PICTURE WINDOWS TO A 2X BUCK, USE #12 (MIN.) WOOD SCREWS OF SUFFICIENT LENGTH TO ACHIEVE A MINIMUM 1 1/2" EMBEDMENT INTO THE WOOD BUCK.
 2. WHEN ANCHORING THE WINDOW INTO A 1X WOOD BUCK, USE 1/4"Ø (MIN.) ITW TAPCON ANCHORS OF SUFFICIENT LENGTH TO ACHIEVE A MINIMUM 1 1/4" EMBEDMENT INTO THE MASONRY/CONCRETE.
 3. SEE SHEETS 2 AND 3 FOR ADDITIONAL ANCHORAGE INFORMATION.
 3. THE 74" X 63" RECTANGULAR FIXED WINDOW WIDTH AND LENGTH DIMENSIONS CAN BE ORIENTED EITHER HORIZONTALLY OR VERTICALLY AND QUALIFY FOR THE DESIGN PRESSURE = ±65 PSF. SMALLER SIZE RECTANGULAR WINDOWS WILL ALSO QUALIFY FOR THE DESIGN PRESSURE ±65 PSF.



22
9/27/2017
LUCAS A. TURNER, P.E.
FL PE # 58201
TURNER ENGINEERING & CONSULTING, INC.
(COA # 29779)
1239 JABARA AVE.
NORTH PORT, FL 34288
PH. 941-380-1574

SIMONTON
WINDOWS
1 Cochrane Avenue
Pennsboro, WV 26415

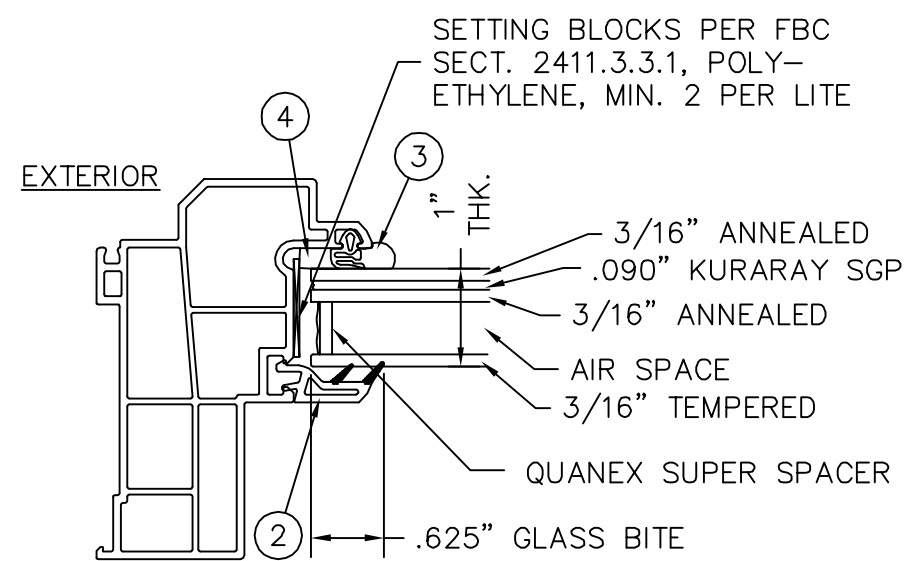
SCALE: FIT SHEET: 4 of 5

SERIES: STORMBREAKER PLUS 300VL PICTURE (FIXED) WINDOW
TITLE: ANCHORING LOCATIONS

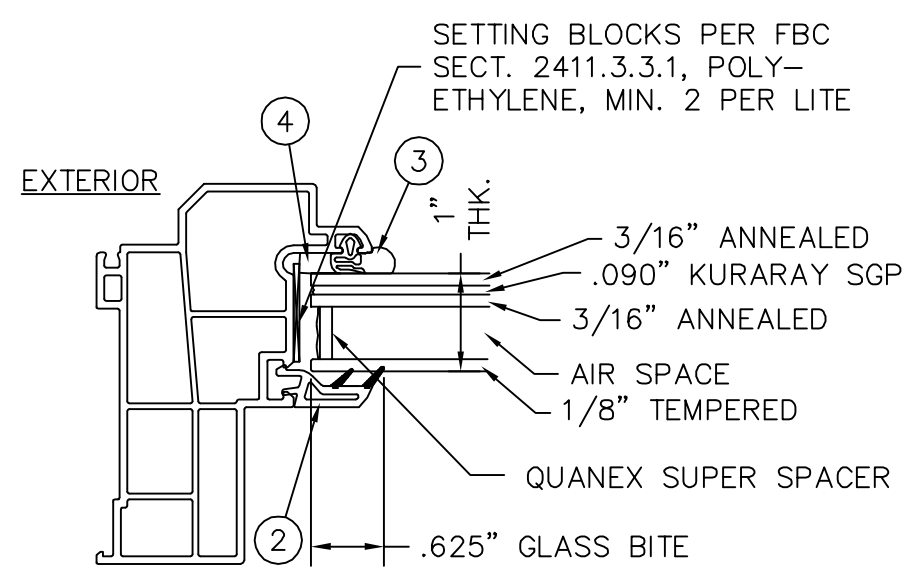
SIZE: DRAWING NO.: B DA0013	REV.: 2
DRAWN BY: T.D.D.	DATE: 05/16/13
CHECKED BY:	DATE:
APPR'VD BY:	DATE:

BILL OF MATERIALS		
ITEM #	DESCRIPTION	MANUFACTURER
1a	PW0902S VINYL WINDOW FRAME	SIMEX, INC.
1b	PW1101S VINYL FRAME WITH FLANGE	SIMEX, INC.
1c	PW1201S VINYL FRAME WITH NAILING FIN/J-CHANNEL	SIMEX, INC.
2	BV34 VINYL GLAZING BEAD FOR 1" I.G.U.	VPI
3	EPDM DRY GLAZE GASKET	LAUREN
4	896-HIS GLAZING COMPOUND	PECORA

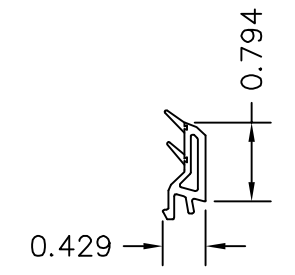
REV. #	REVISIONS:	REVISED BY:	DATE:
1	UPDATED FOR 5TH ED. (2014) FBC	LAT	4/27/2015
2	UPDATED TO 6TH ED. (2017) FBC	LMH	08/25/17
.	.	.	.
.	.	.	.



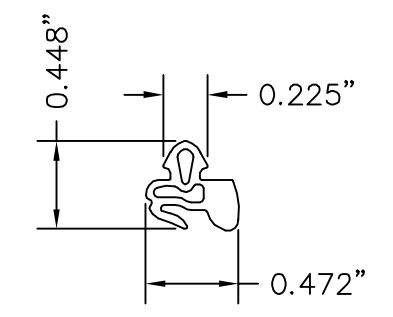
GLAZING DETAIL
RESISTANT GLASS GLAZING DETAIL
74" X 63" PICTURE WINDOW



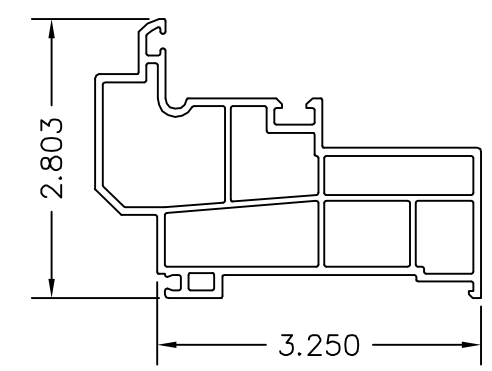
GLAZING DETAIL
TRIANGLE, HALF ROUND WITH LEG
AND HALF ROUND



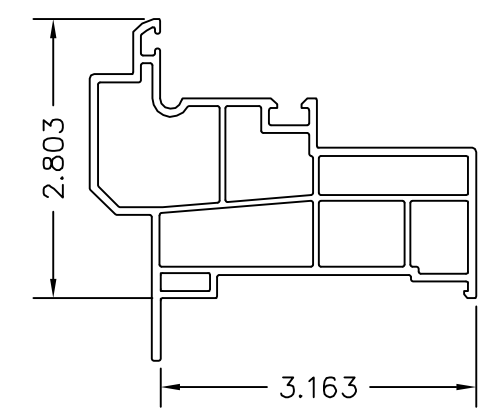
2 BV34 GLAZING BEAD
0.059" MIN. WALL &
0.079" MAX. WALL



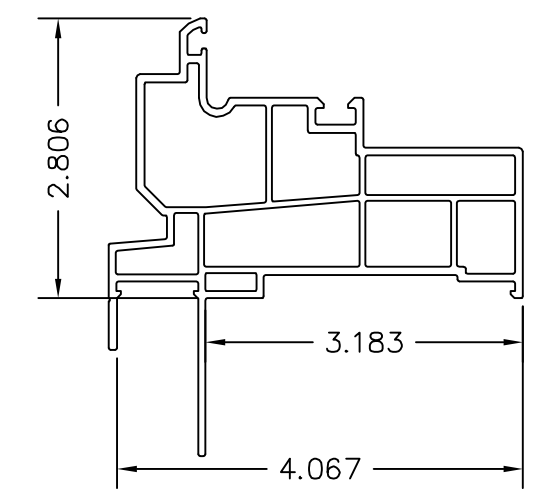
3 GLAZING GASKET



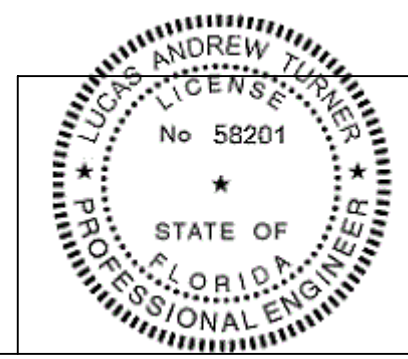
1a PW0902S FIXED WINDOW FRAME
VINYL 0.060" MIN. WALL &
0.079" MAX. WALL



1b PW1101S FRAME WITH FLANGE
VINYL 0.060" MIN. WALL &
0.079" MAX. WALL



1c PW1201S FRAME WITH NAILING
FIN & J-CANNEL
VINYL 0.060" MIN. WALL &
0.079" MAX. WALL



9/27/2017
LUCAS A. TURNER, P.E.
FL PE # 58201
TURNER ENGINEERING &
CONSULTING, INC.
(COA # 29779)
1239 JABARA AVE.
NORTH PORT, FL 34288
PH. 941-380-1574

	SIZE: B	DRAWING NO.: DA0013	REV.: 2
	DRAWN BY: T.D.D.	DATE: 05/16/13	CHECKED BY: DATE:
SCALE: FIT	SHEET: 5 of 5	APPRVD BY: DATE:	
SERIES: STORMBREAKER PLUS 300VL PICTURE (FIXED) WINDOW			
TITLE: GLAZING DETAILS, COMPONENTS & BILL OF MATERIALS			