

REVISIONS			
REV	DESCRIPTION	DATE	APPROVED
H	ADDED MULTILITE PANELS & TRIMS	08/10/2021	R.L.

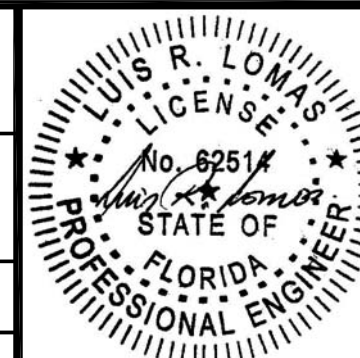
NOTES:

1. THE PRODUCT SHOWN HEREIN IS DESIGNED AND MANUFACTURED TO COMPLY WITH REQUIREMENTS OF THE FLORIDA BUILDING CODE.
2. WOOD FRAMING, METAL STRUCTURE AND MASONRY OPENING TO BE DESIGNED AND ANCHORED TO PROPERLY TRANSFER ALL LOADS TO STRUCTURE. FRAMING AND MASONRY OPENING IS THE RESPONSIBILITY OF THE ARCHITECT OR ENGINEER OF RECORD.
3. 1X BUCK OVER MASONRY/CONCRETE IS OPTIONAL. WHERE 1X BUCK IS NOT USED DISSIMILAR MATERIALS MUST BE SEPARATED WITH APPROVED COATING OR MEMBRANE. SELECTION OF COATING OR MEMBRANE IS THE RESPONSIBILITY OF THE ARCHITECT OR ENGINEER OF RECORD.
4. ALLOWABLE STRESS INCREASE OF 1/3 WAS NOT USED IN THE DESIGN OF THE PRODUCT SHOWN HEREIN. WIND LOAD DURATION FACTOR Cd=1.6 WAS USED FOR WOOD ANCHOR CALCULATIONS.
5. FRAME MATERIAL: WOOD WITH G=.46 MINIMUM SPECIFIC GRAVITY, OR COMPOSITE, OR FRAMESAVER, OR FUSION FRAME.  
DOOR SKIN MATERIAL: STEEL .033" THICK (MINIMUM)
6. UNITS MUST BE GLAZED PER ASTM E1300, SEE SHEET 7 FOR GLASS DETAILS.
7. APPROVED IMPACT PROTECTIVE SYSTEM IS NOT REQUIRED FOR THIS PRODUCT IN WIND BORNE DEBRIS REGIONS.
8. SHIM AS REQUIRED AT EACH INSTALLATION ANCHOR WITH LOAD BEARING SHIM. SHIM WHERE SPACE OF 1/16" OR GREATER OCCURS. MAXIMUM ALLOWABLE SHIM STACK TO BE 1/4".
9. FOR ANCHORING INTO WOOD FRAMING OR 2X BUCK USE #8 WOOD SCREWS WITH SUFFICIENT LENGTH TO ACHIEVE A 1 1/4" MINIMUM EMBEDMENT INTO SUBSTRATE. LOCATE ANCHORS AS SHOWN IN ELEVATIONS AND INSTALLATION DETAILS.
10. FOR ANCHORING INTO MASONRY/CONCRETE USE 3/16" TAPCONS WITH SUFFICIENT LENGTH TO ACHIEVE A 1 3/4" MINIMUM EMBEDMENT INTO SUBSTRATE WITH 2" MINIMUM EDGE DISTANCE. LOCATE ANCHORS AS SHOWN IN ELEVATIONS AND INSTALLATION DETAILS.
11. FOR ANCHORING INTO METAL STRUCTURE USE #8 SMS OR SELF DRILLING SCREWS WITH SUFFICIENT LENGTH TO ACHIEVE 3 THREADS MINIMUM BEYOND STRUCTURE INTERIOR WALL. LOCATE ANCHORS AS SHOWN IN ELEVATIONS AND INSTALLATION DETAILS.
12. ALL FASTENERS TO BE CORROSION RESISTANT.
13. INSTALLATION ANCHORS SHALL BE INSTALLED IN ACCORDANCE WITH ANCHOR MANUFACTURER'S INSTALLATION INSTRUCTIONS AND ANCHORS SHALL NOT BE USED IN SUBSTRATES WITH STRENGTHS LESS THAN THE MINIMUM STRENGTH SPECIFIED BELOW:
  - A. WOOD – MINIMUM SPECIFIC GRAVITY OF G=0.42
  - B. CONCRETE – MINIMUM COMPRESSIVE STRENGTH OF 3,192 PSI.
  - C. MASONRY – GROUT FILLED STRENGTH CONFORMANCE TO ASTM C-90, GRADE N, TYPE 1 (OR GREATER).
  - D. METAL STRUCTURE: STEEL 18GA, 33KSI OR ALUMINUM 6063-T5 .048" THICK MINIMUM

SIGNED: 09/07/2021

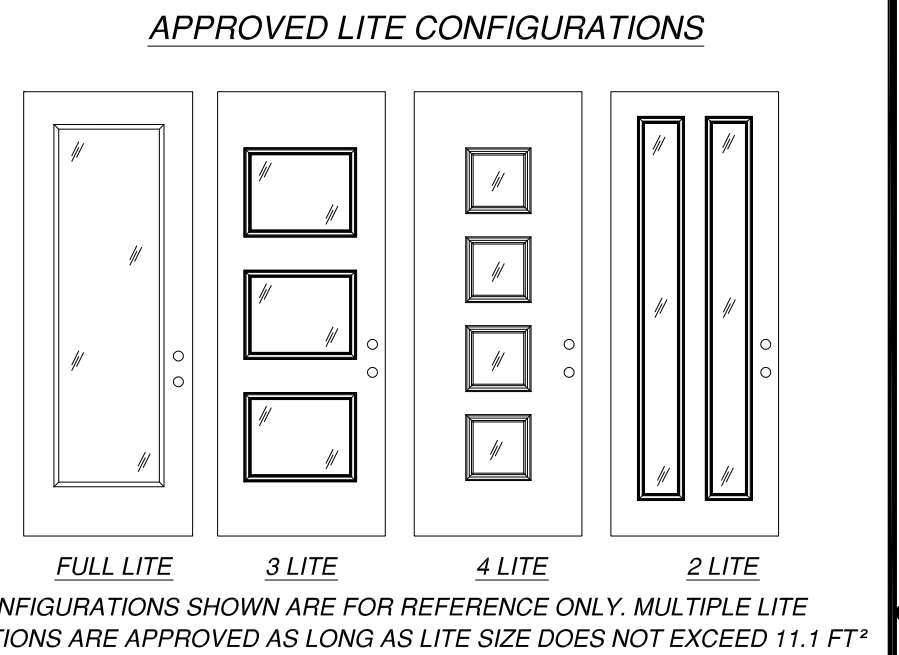
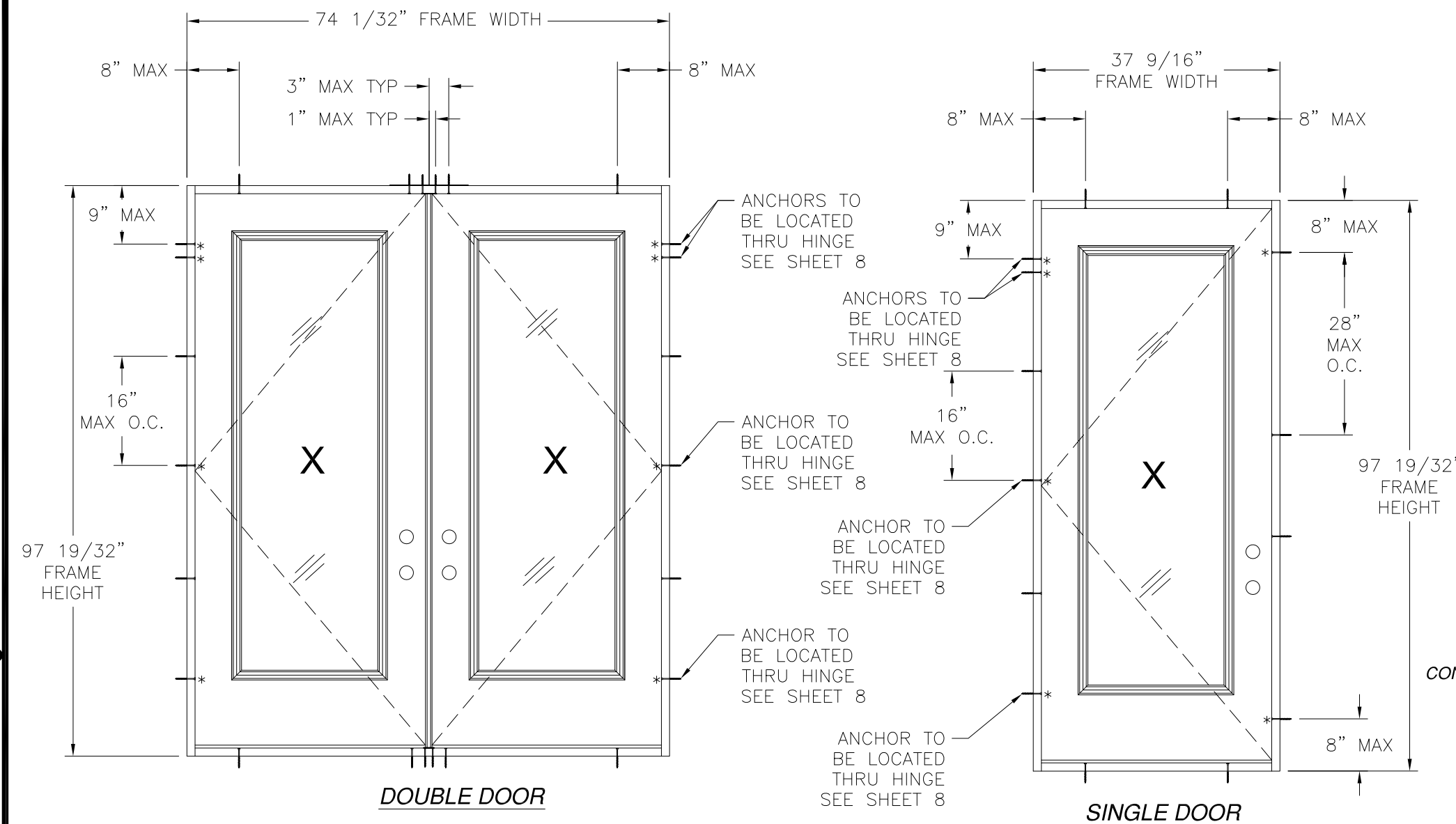
TABLE OF CONTENTS	
SHEET NO.	DESCRIPTION
1	NOTES
2	ELEVATIONS
3 – 6	INSTALLATION DETAILS
7	GLAZING DETAILS
8 – 10	COMPONENTS

PROVIA, LLC. 2150 STATE ROUTE 39 WEST SUGARCREEK, OH 44681		
STEEL INSWING GLAZED DOOR – SINGLE & DOUBLE IMPACT NOTES		
DRAWN: V.L.	DWG NO. 08-01957	REV H
SCALE NTS	DATE 03/05/13	SHEET 1 OF 10
L. ROBERTO LOMAS P.E. 1432 WOODFORD RD LEWISVILLE, NC 27023 434-688-0609 rllomas@rlomaspe.com		



Luis R. Lomas P.E.  
FL No.: 62514

REVISIONS			
REV	DESCRIPTION	DATE	APPROVED
H	ADDED MULTILITE PANELS & TRIMS	08/10/2021	R.L.



DESIGN PRESSURE RATING	IMPACT RATING
±55.0PSF	LARGE MISSILE IMPACT

MISSILE LEVEL D, WIND ZONE 3  
 35 3/4" x 94 15/16" PANEL SIZE SHOWN. OTHER SIZES ARE APPROVED AS LONG AS INDIVIDUAL PANEL AREA DOES NOT EXCEED 23.56 FT<sup>2</sup>

HARDWARE SCHEDULE
A. F-SERIES ASSEMBLY DOOR KNOB BY SCHLAGE.
B. B-SERIES DEADBOLT ASSEMBLY BY SCHLAGE
C. F-SERIES DEADBOLT ASSEMBLY BY SCHLAGE
D. EMTEK RESIDENTIAL GRADE DOOR HANDLE ASSEMBLY (ALTERNATE)
E. TRILLENIUM MULTI-POINT LOCK HANDLE ASSEMBLY (ALTERNATE)
F. INSWING HURRICANE ASTRAGAL BY ENDURA
G. (3) 4" X 4" BALL BEARING HINGES BY PENROD
H. (3) 4" X 4" SPRING BOMMER HINGES BY PENROD (ALTERNATE)

- NOTES;
- HINGES ARE LOCATED AT 10", 50" AND 89" FROM TOP CORNER.
  - APPROVED CONFIGURATIONS MAY BE RIGHT OR LEFT HAND.
  - PANEL SIZE 35 3/4" X 95".
  - D.L.O. 20 3/8" X 78 1/2".
  - JAMBS ARE ASSEMBLED TO HEAD FRAME WITH (3) #8X3" WOOD SCREWS AT EACH JAMB.
  - JAMBS ARE ASSEMBLED TO THRESHOLD WITH (3) #6X1-1/2" WOOD SCREWS AT EACH JAMB.

PROVIA, LLC.  
 2150 STATE ROUTE 39 WEST  
 SUGARCREEK, OH 44681

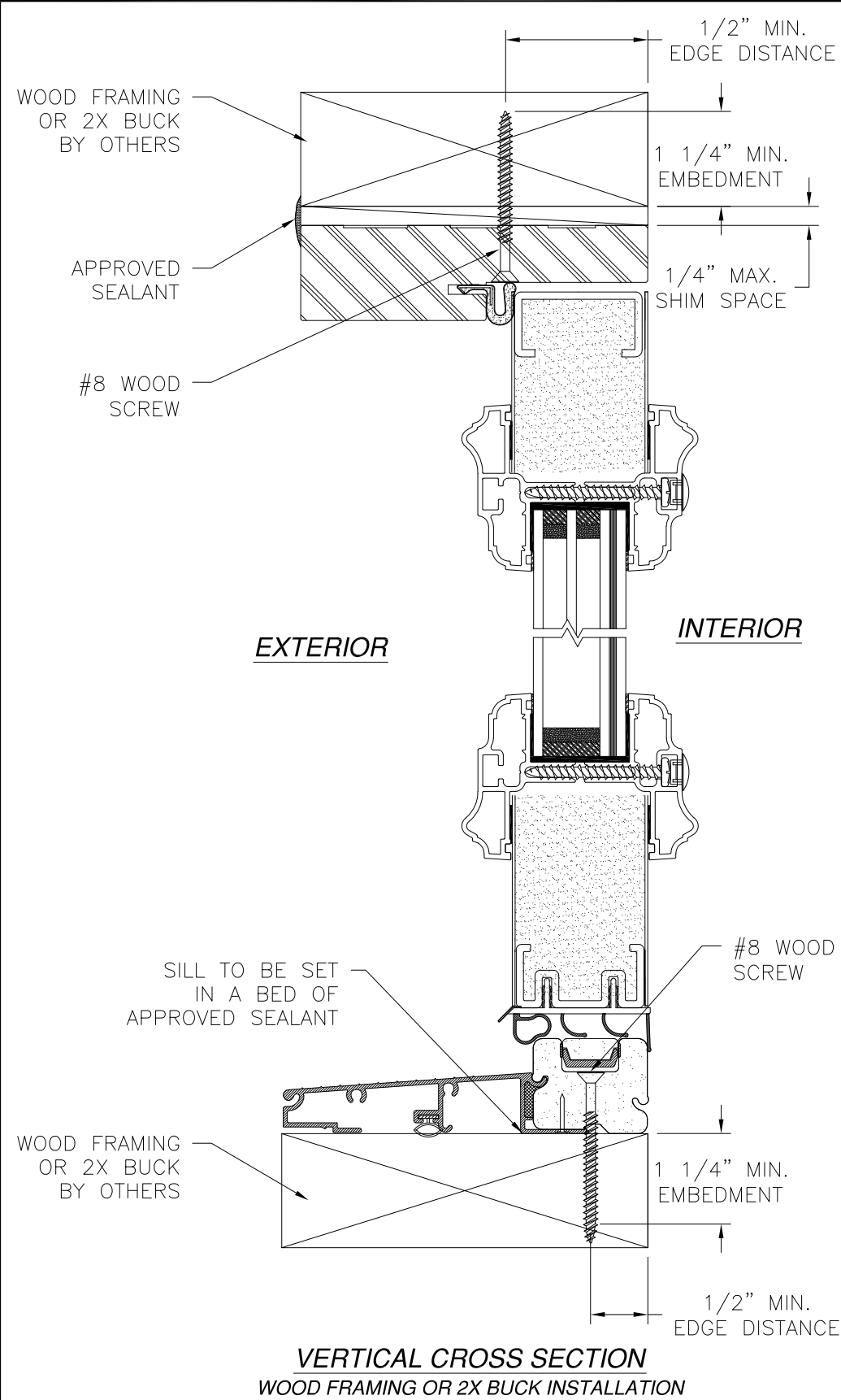
STEEL INSWING GLAZED DOOR – SINGLE & DOUBLE IMPACT ELEVATIONS

DRAWN: V.L.	DWG NO. 08-01957	REV H
SCALE NTS	DATE 03/05/13	SHEET 2 OF 10

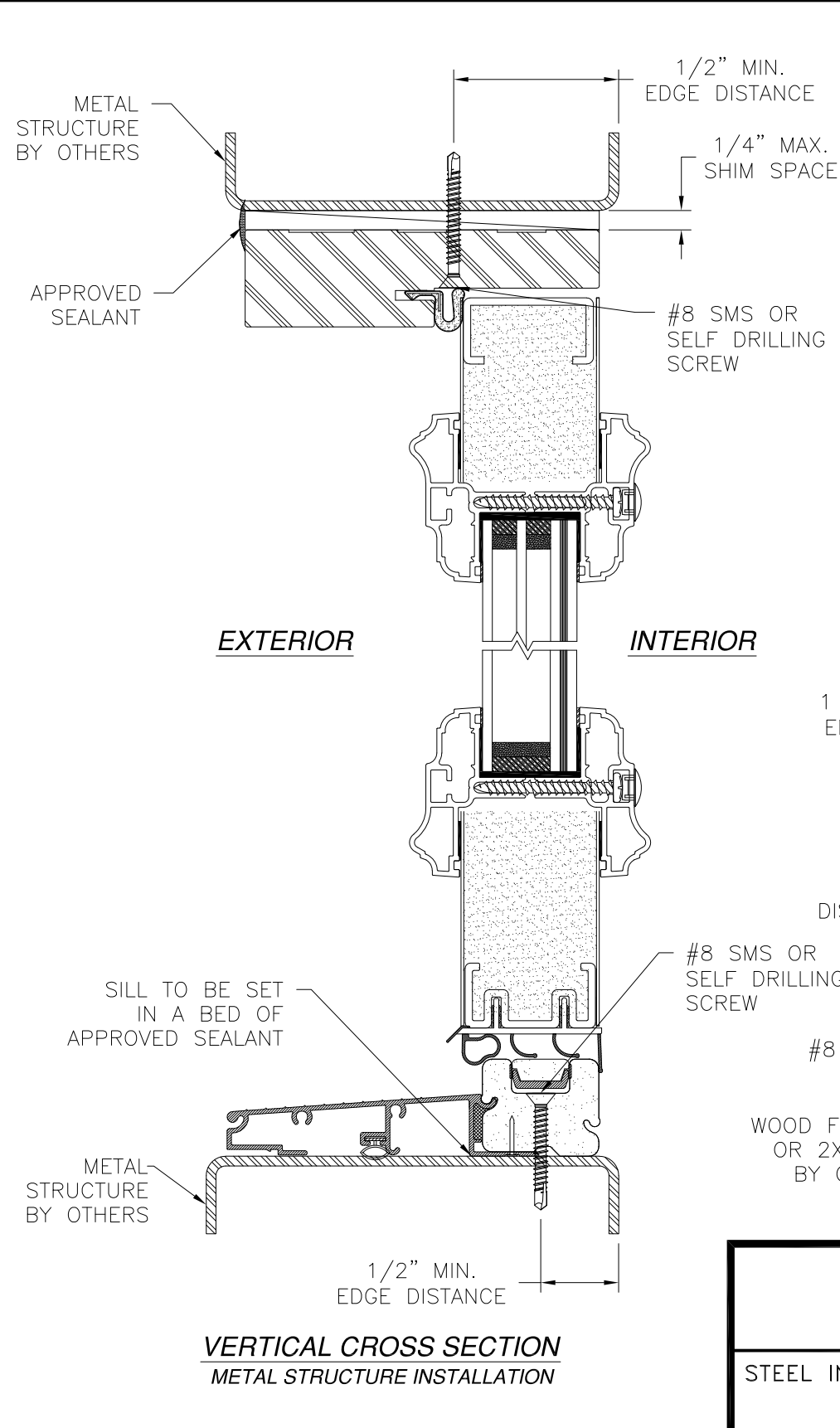
L. ROBERTO LOMAS P.E.  
 1432 WOODFORD RD LEWISVILLE, NC 27023  
 434-688-0609 rllomas@rlomaspe.com

SIGNED: 09/07/2021

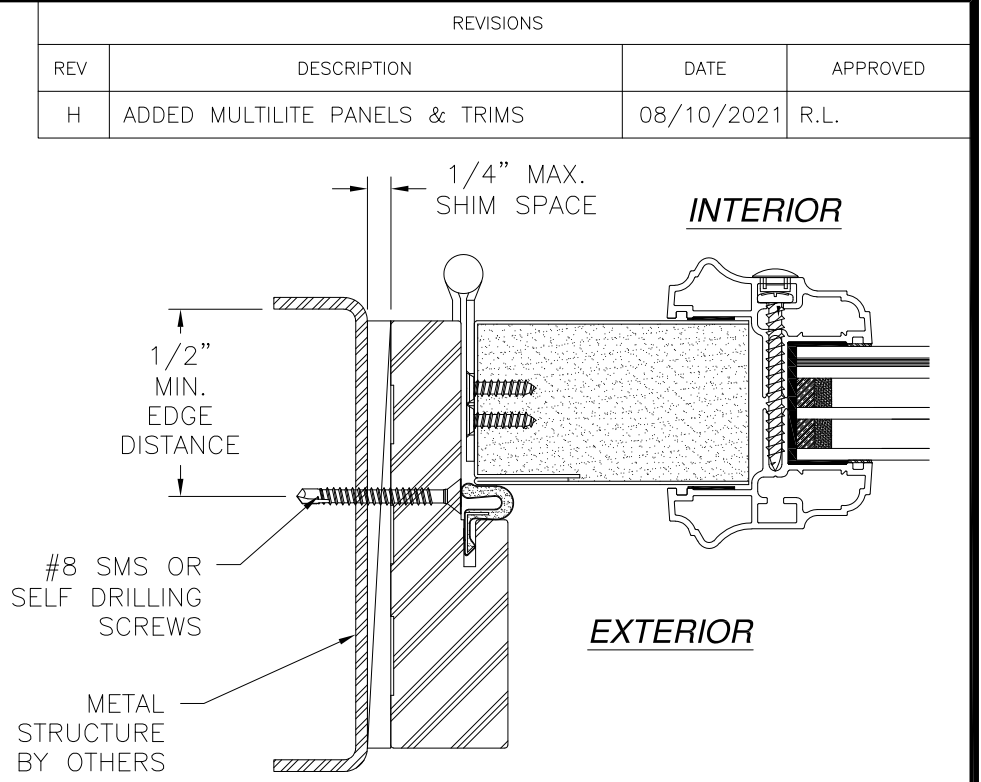
Luis R. Lomas P.E.  
 FL No.: 62514



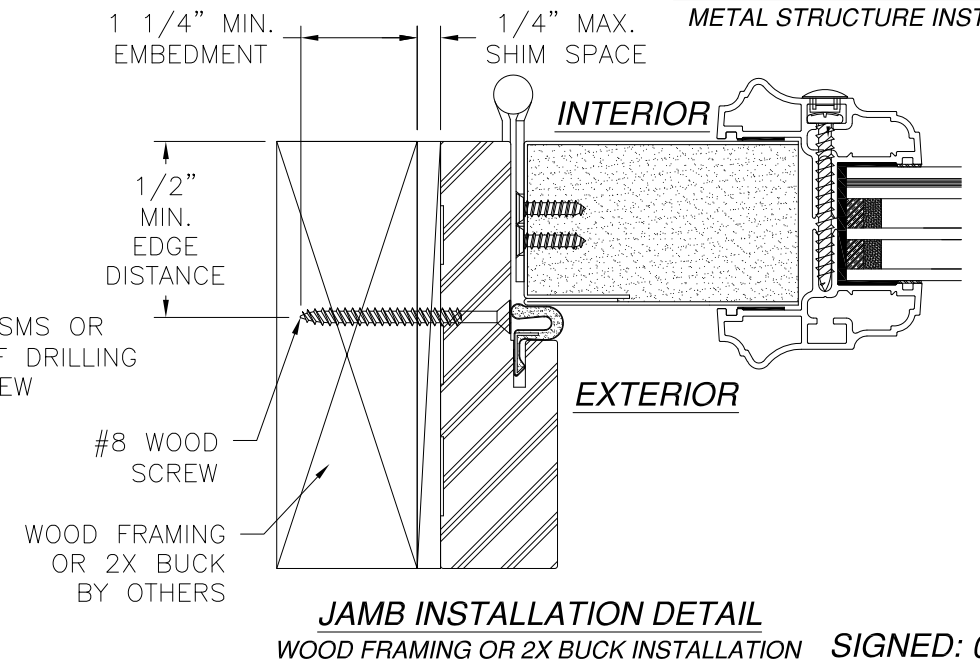
**VERTICAL CROSS SECTION**  
WOOD FRAMING OR 2X BUCK INSTALLATION



**VERTICAL CROSS SECTION**  
METAL STRUCTURE INSTALLATION



**JAMB INSTALLATION DETAIL**  
METAL STRUCTURE INSTALLATION



**JAMB INSTALLATION DETAIL**  
WOOD FRAMING OR 2X BUCK INSTALLATION **SIGNED: 09/07/2021**

REVISIONS			
REV	DESCRIPTION	DATE	APPROVED
H	ADDED MULTILITE PANELS & TRIMS	08/10/2021	R.L.

- NOTES:**
1. INTERIOR AND EXTERIOR FINISHES, BY OTHERS, NOT SHOWN FOR CLARITY.
  2. PERIMETER AND JOINT SEALANT BY OTHERS TO BE DESIGNED IN ACCORDANCE WITH ASTM E2112

**PROVIA, LLC.**  
2150 STATE ROUTE 39 WEST  
SUGARCREEK, OH 44681

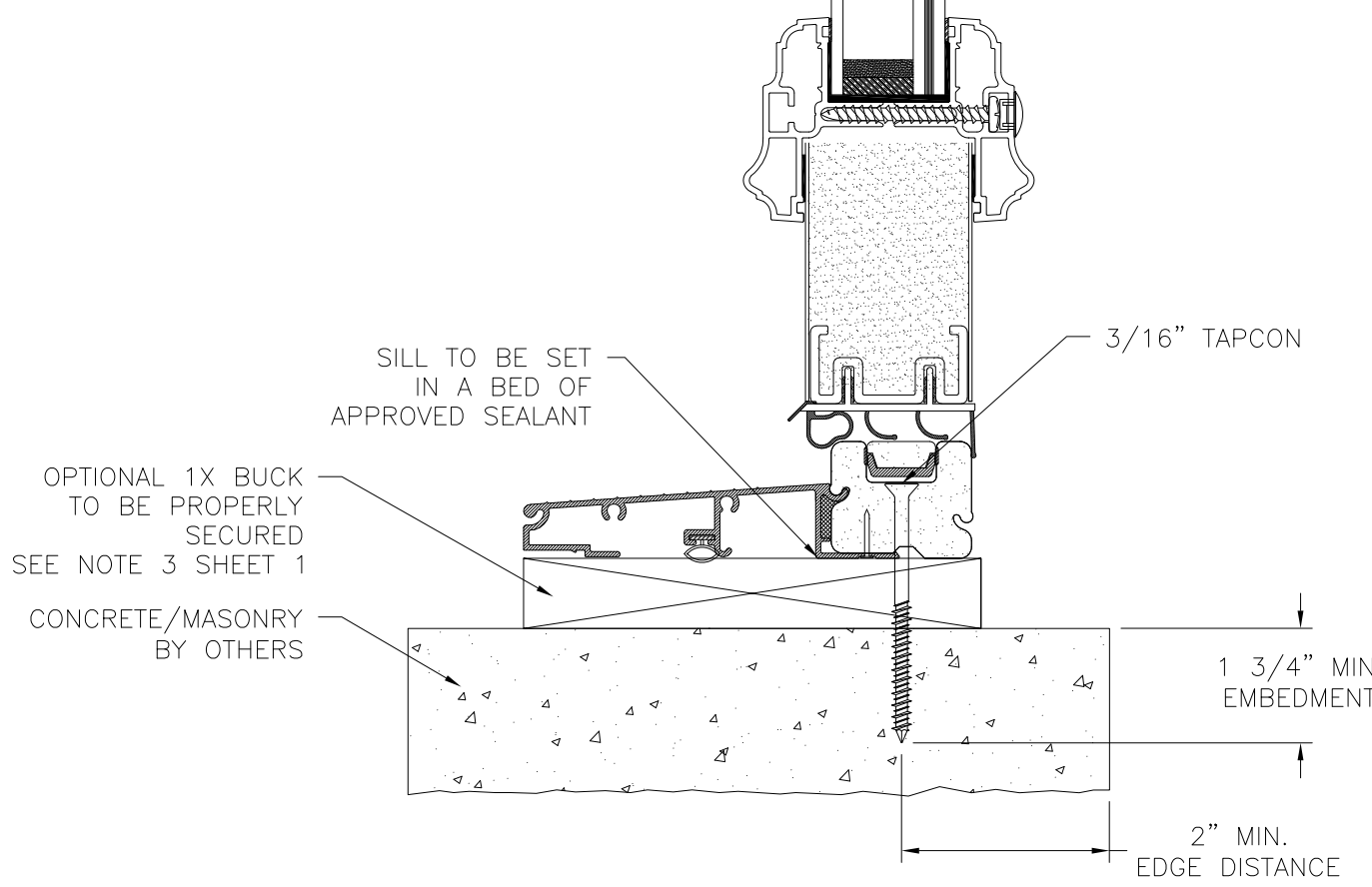
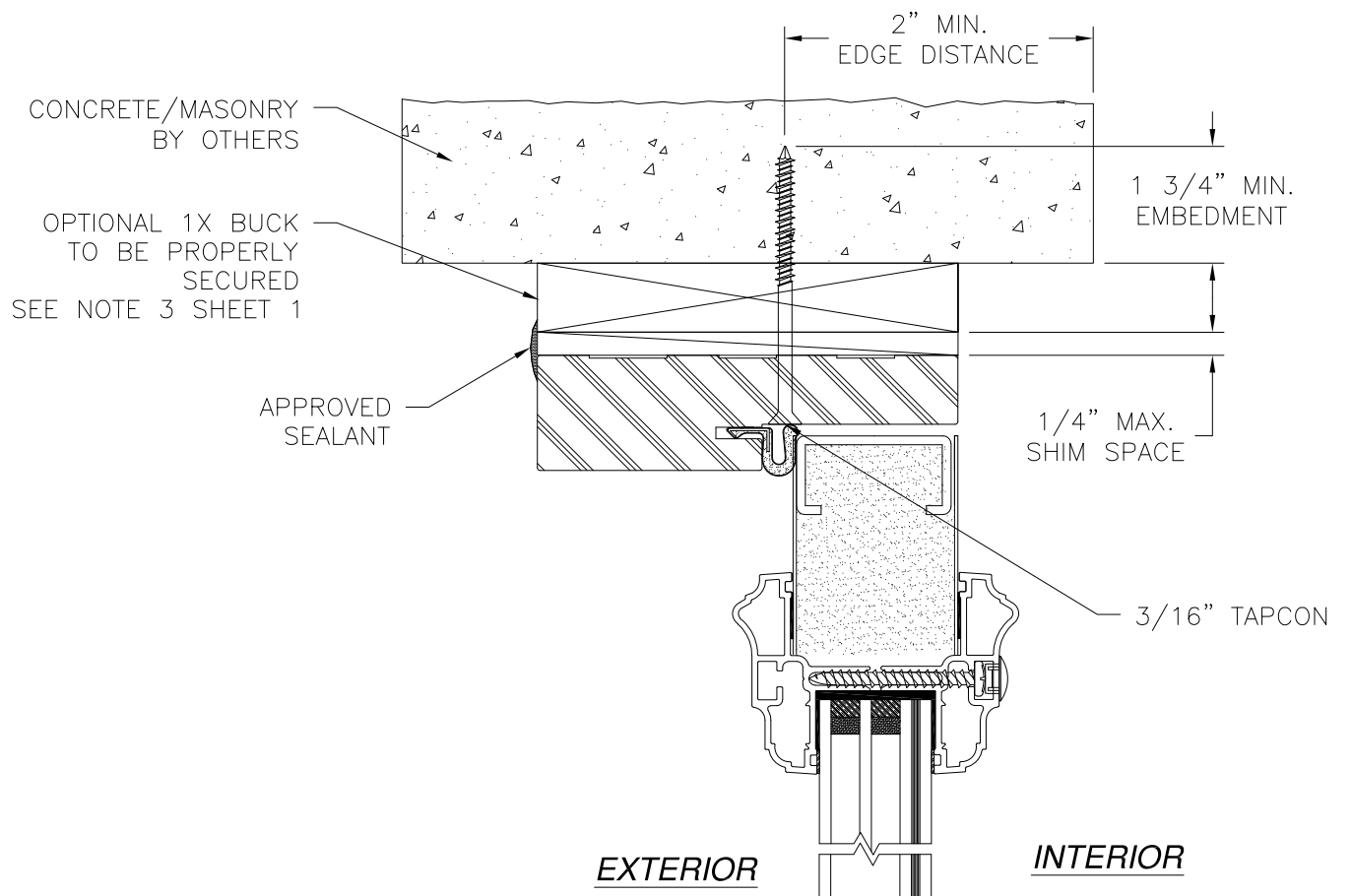
STEEL INSWING GLAZED DOOR – SINGLE & DOUBLE  
IMPACT  
INSTALLATION DETAILS

DRAWN: V.L.	DWG NO. 08-01957	REV H
SCALE NTS	DATE 03/05/13	SHEET 3 OF 10

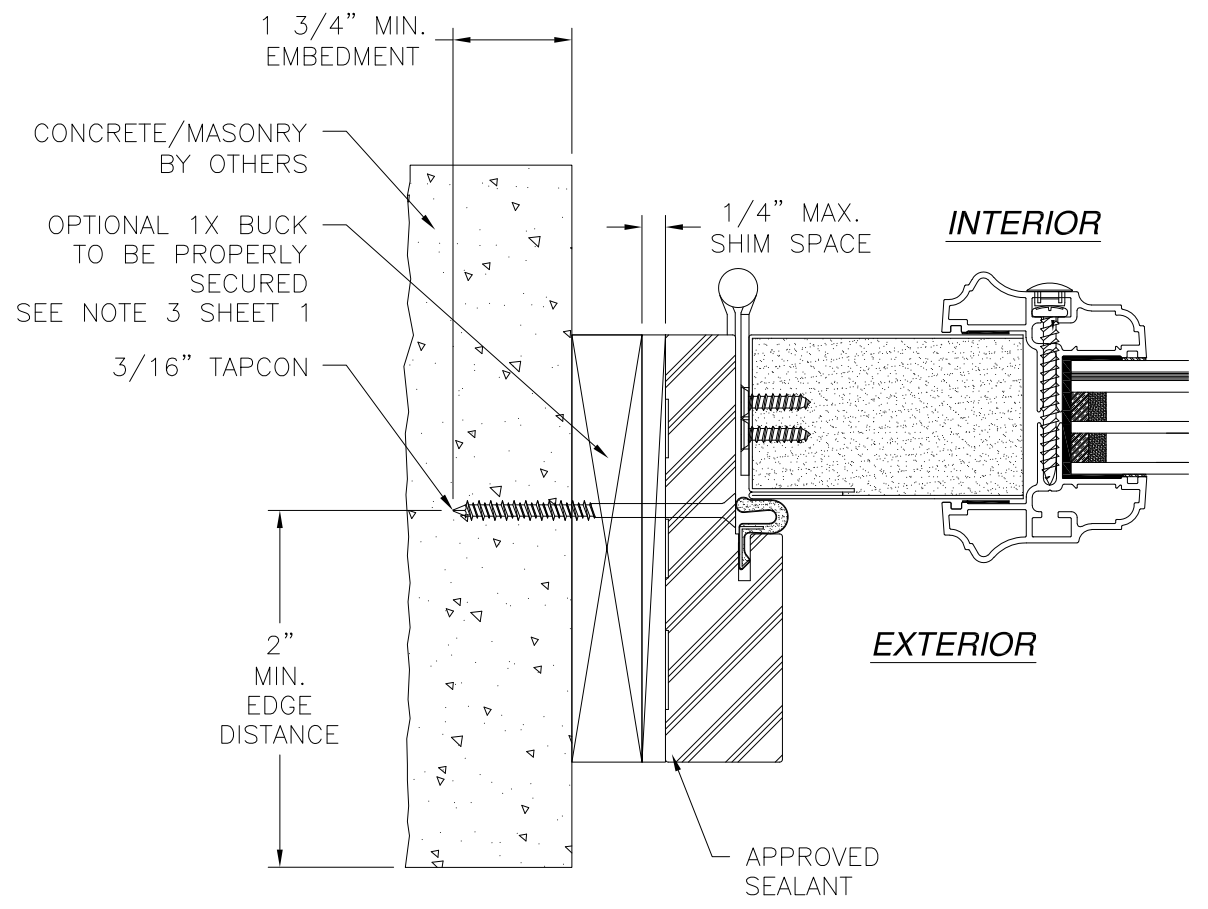
L. ROBERTO LOMAS P.E.  
1432 WOODFORD RD LEWISVILLE, NC 27023  
434-688-0609 rllomas@rlomaspe.com

Luis R. Lomas P.E.  
FL No.: 62514

REVISIONS			
REV	DESCRIPTION	DATE	APPROVED
H	ADDED MULTILITE PANELS & TRIMS	08/10/2021	R.L.



**VERTICAL CROSS SECTION**  
CONCRETE/MASONRY INSTALLATION



**JAMB INSTALLATION DETAIL**  
CONCRETE/MASONRY INSTALLATION

- NOTES:**
1. INTERIOR AND EXTERIOR FINISHES, BY OTHERS, NOT SHOWN FOR CLARITY.
  2. PERIMETER AND JOINT SEALANT BY OTHERS TO BE DESIGNED IN ACCORDANCE WITH ASTM E2112

SIGNED: 09/07/2021

**PROVIA, LLC.**  
2150 STATE ROUTE 39 WEST  
SUGARCREEK, OH 44681

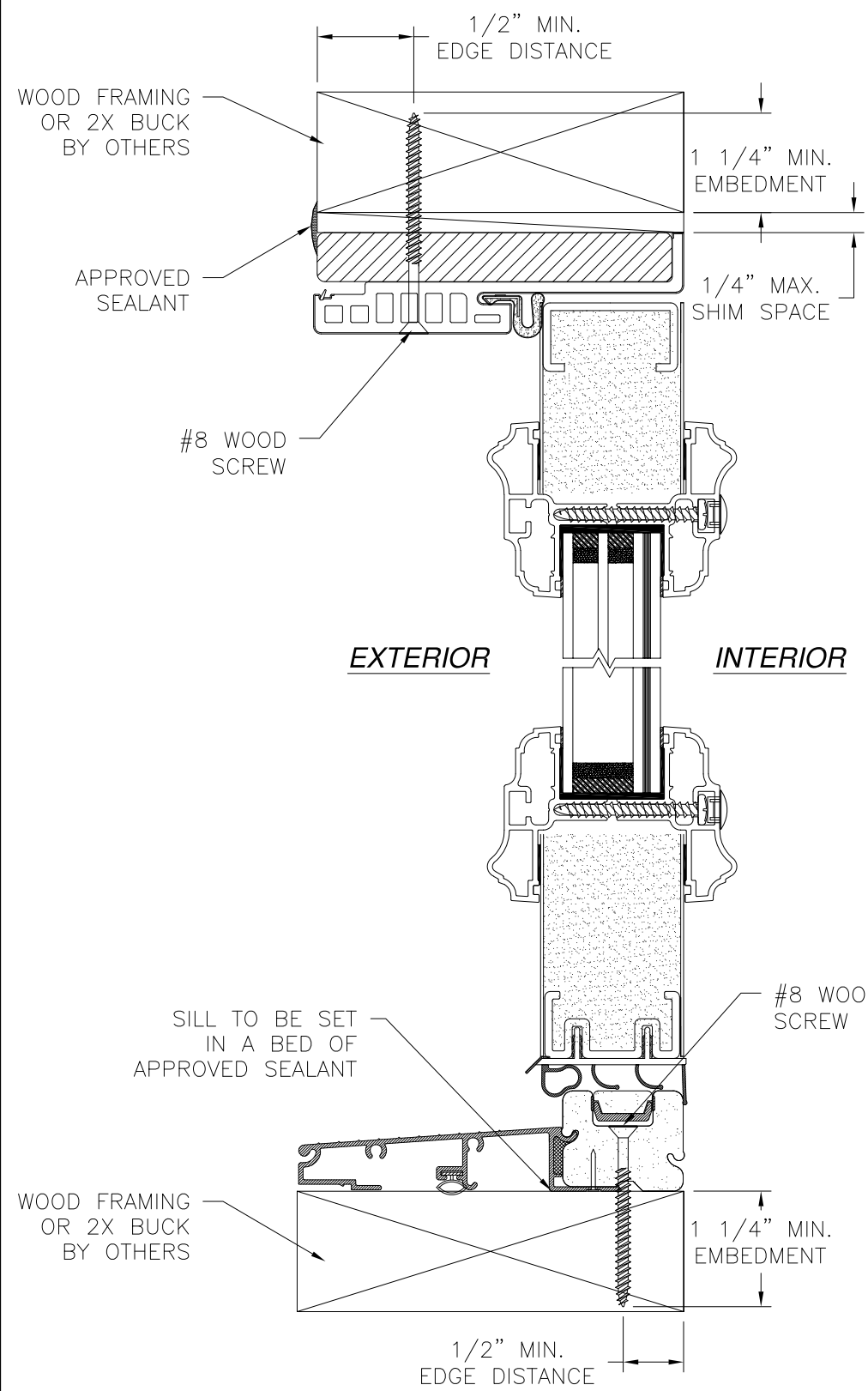
---

STEEL INSWING GLAZED DOOR – SINGLE & DOUBLE  
IMPACT  
INSTALLATION DETAILS

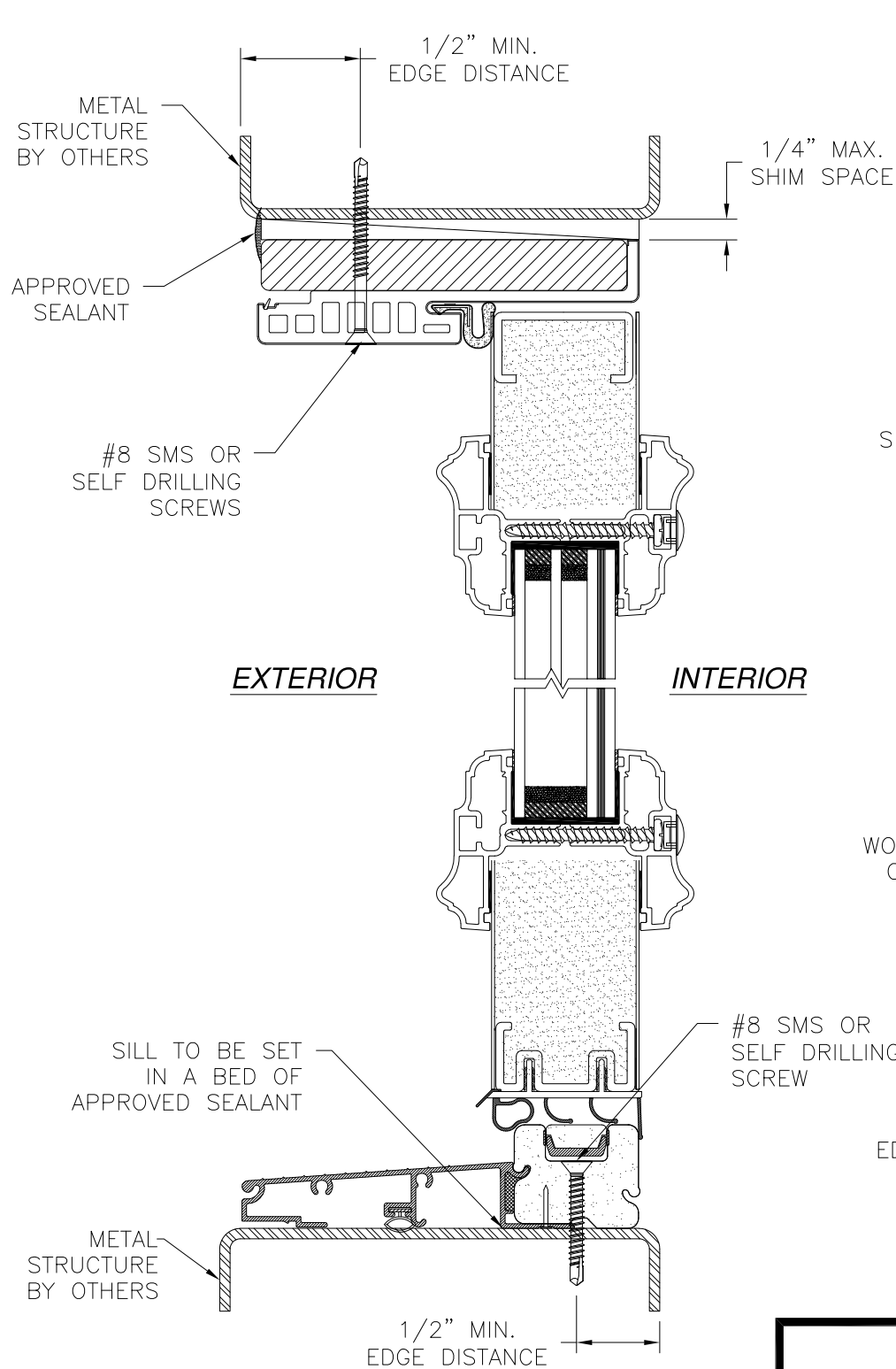
DRAWN: V.L.	DWG NO. 08-01957	REV H
SCALE NTS	DATE 03/05/13	SHEET 4 OF 10

L. ROBERTO LOMAS P.E.  
1432 WOODFORD RD LEWISVILLE, NC 27023  
434-688-0609 rllomas@rlomaspe.com

Luis R. Lomas P.E.  
FL No.: 62514



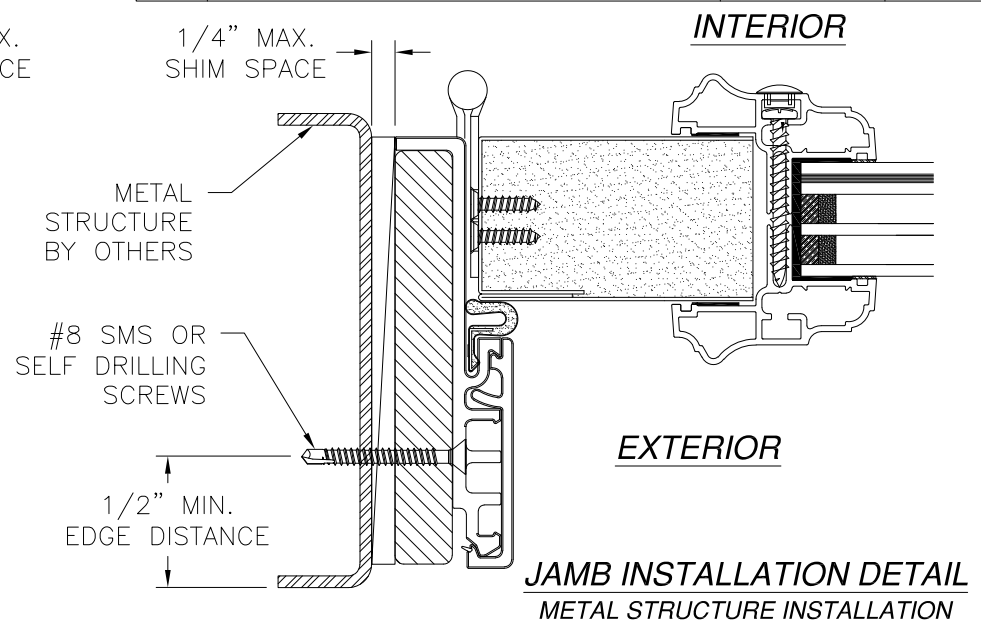
**VERTICAL CROSS SECTION**  
WOOD FRAMING OR 2X BUCK INSTALLATION



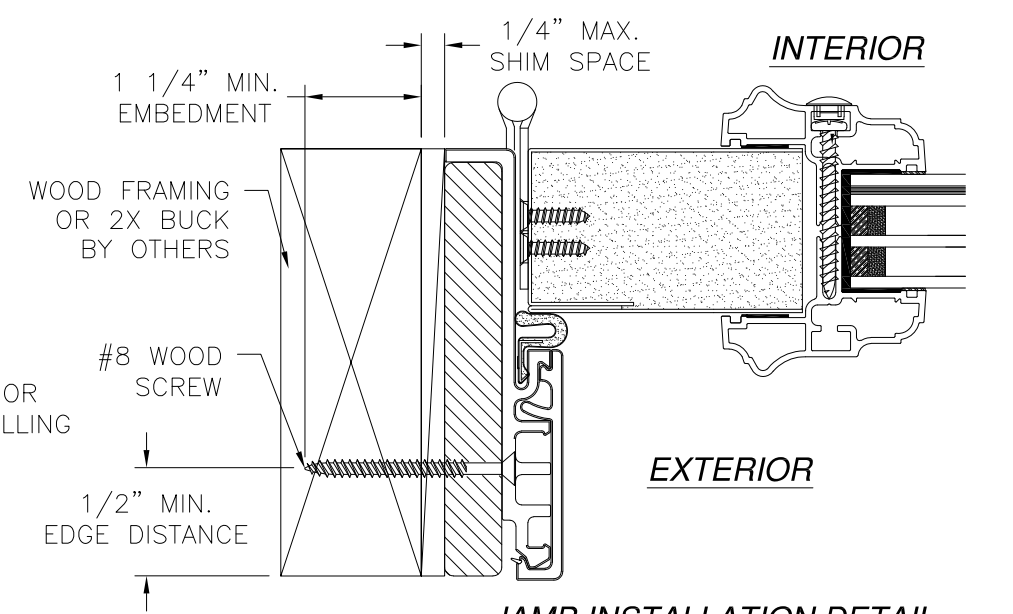
**VERTICAL CROSS SECTION**  
METAL STRUCTURE INSTALLATION

- NOTES:**
1. INTERIOR AND EXTERIOR FINISHES, BY OTHERS, NOT SHOWN FOR CLARITY.
  2. PERIMETER AND JOINT SEALANT BY OTHERS TO BE DESIGNED IN ACCORDANCE WITH ASTM E2112

REVISIONS			
REV	DESCRIPTION	DATE	APPROVED
H	ADDED MULTILITE PANELS & TRIMS	08/10/2021	R.L.



**JAMB INSTALLATION DETAIL**  
METAL STRUCTURE INSTALLATION



**JAMB INSTALLATION DETAIL**  
WOOD FRAMING OR 2X BUCK INSTALLATION

SIGNED: 09/07/2021

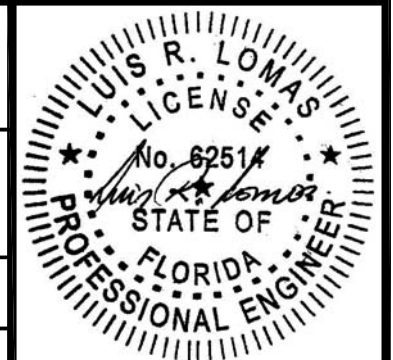
**PROVIA, LLC.**  
2150 STATE ROUTE 39 WEST  
SUGARCREEK, OH 44681

---

STEEL INSWING GLAZED DOOR – SINGLE & DOUBLE  
IMPACT  
INSTALLATION DETAILS W/FUSION FRAME

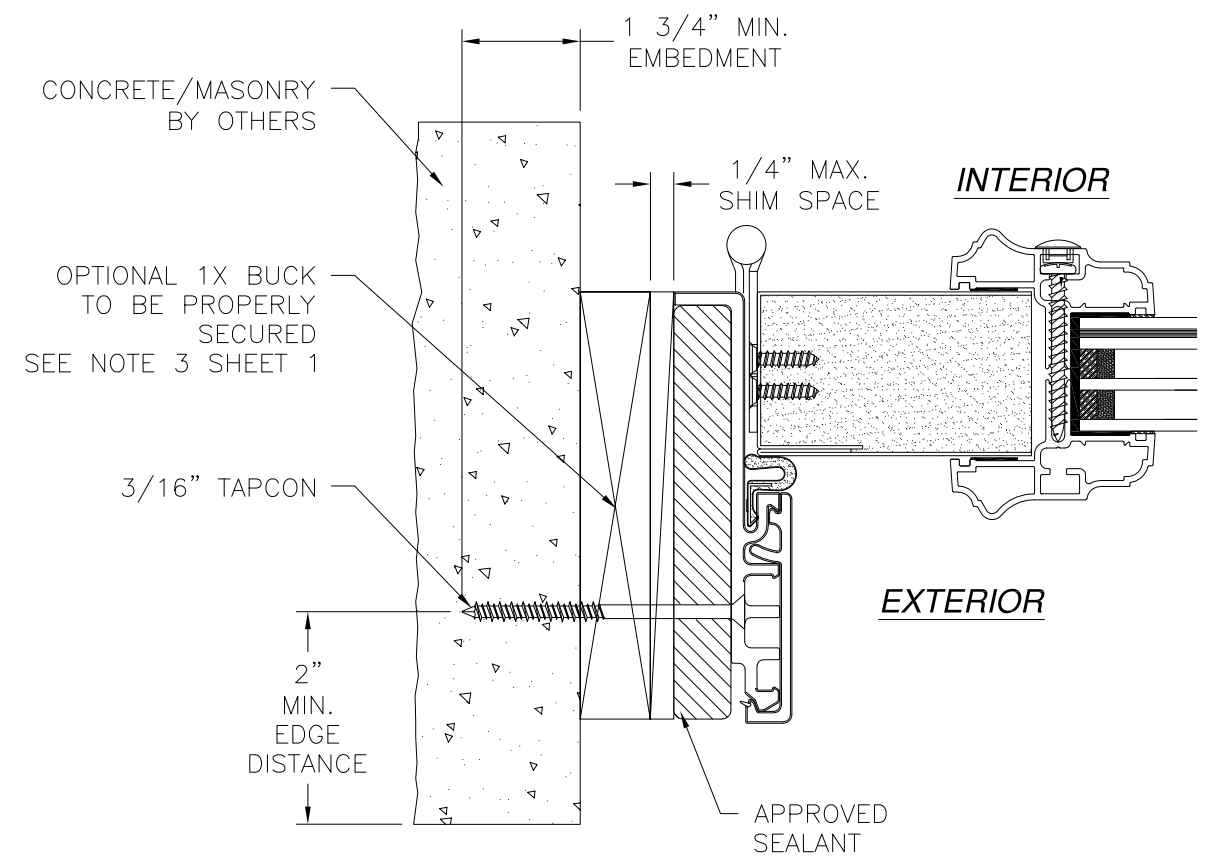
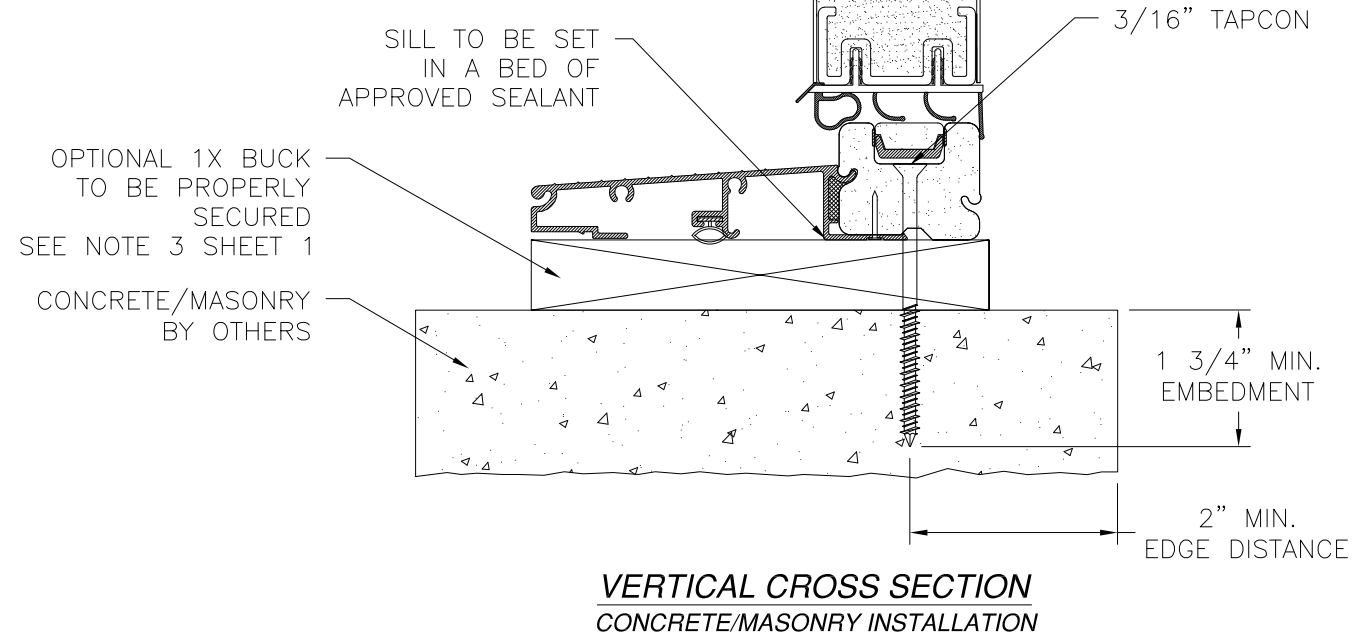
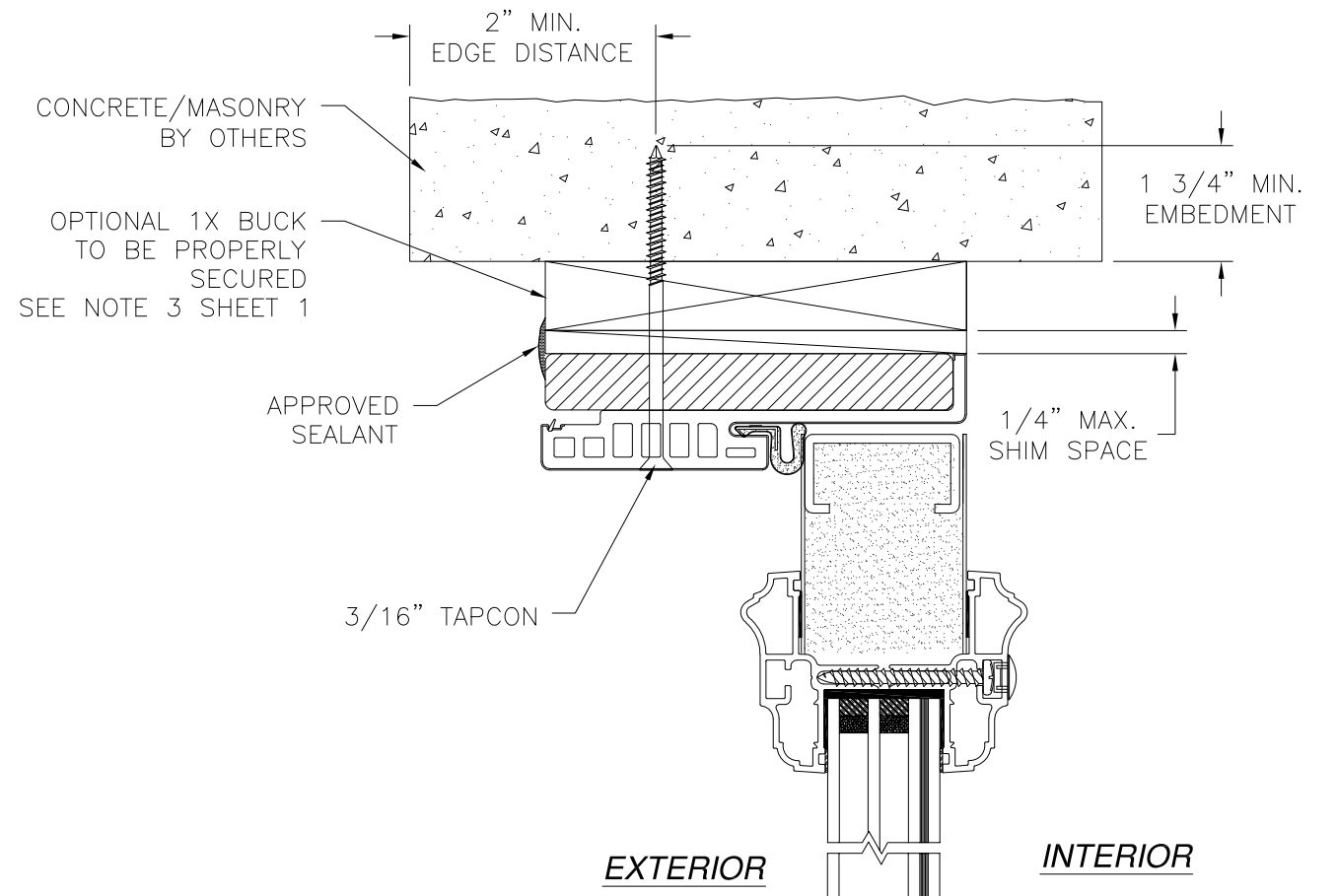
DRAWN: V.L.	DWG NO. 08-01957	REV H
SCALE NTS	DATE 03/05/13	SHEET 5 OF 10

L. ROBERTO LOMAS P.E.  
1432 WOODFORD RD LEWISVILLE, NC 27023  
434-688-0609 rllomas@rlomaspe.com



Luis R. Lomas P.E.  
FL No.: 62514

REVISIONS			
REV	DESCRIPTION	DATE	APPROVED
H	ADDED MULTILITE PANELS & TRIMS	08/10/2021	R.L.



**JAMB INSTALLATION DETAIL**  
CONCRETE/MASONRY INSTALLATION

- NOTES:**
1. INTERIOR AND EXTERIOR FINISHES, BY OTHERS, NOT SHOWN FOR CLARITY.
  2. PERIMETER AND JOINT SEALANT BY OTHERS TO BE DESIGNED IN ACCORDANCE WITH ASTM E2112

SIGNED: 09/07/2021

**PROVIA, LLC.**  
2150 STATE ROUTE 39 WEST  
SUGARCREEK, OH 44681

---

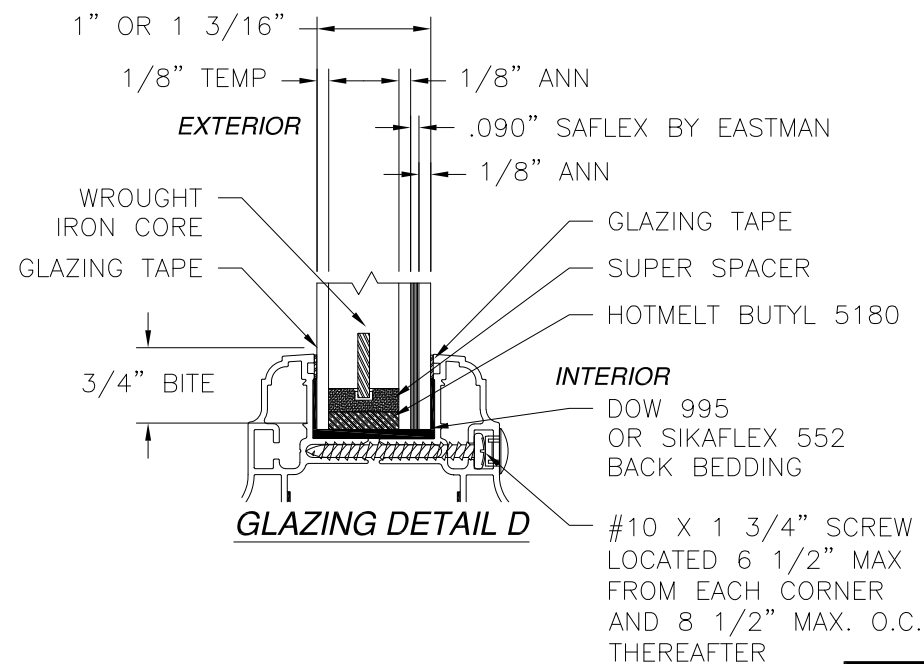
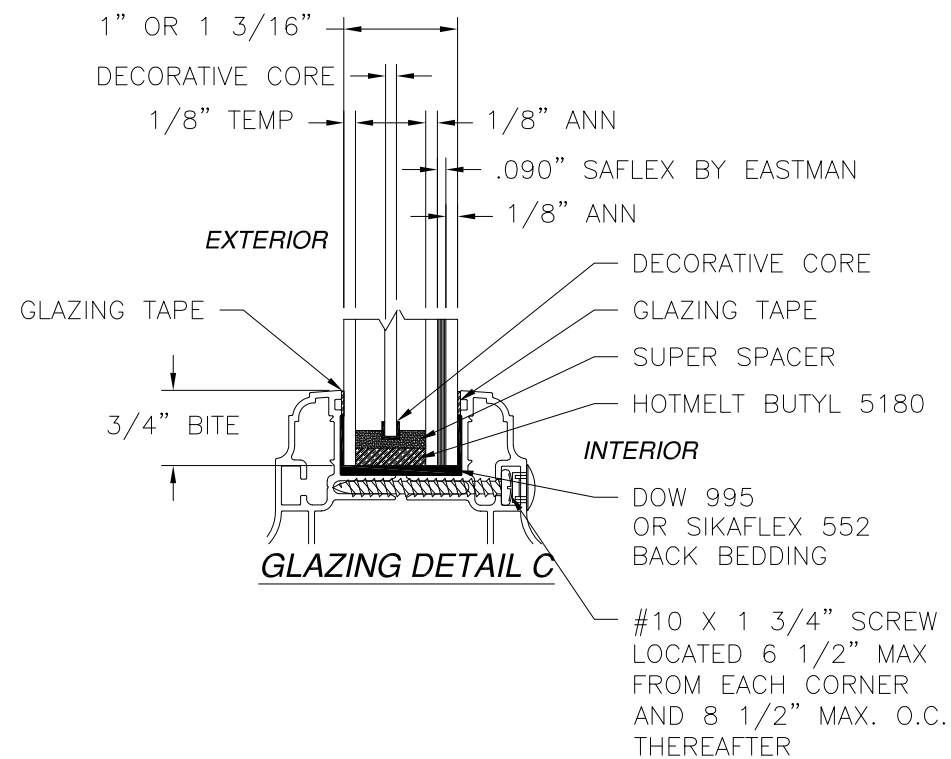
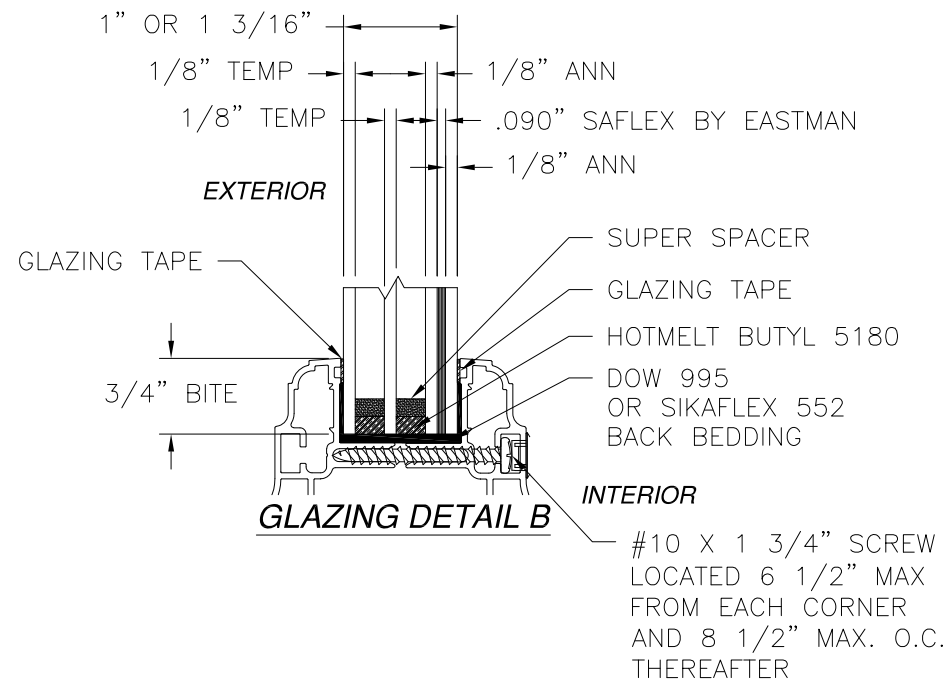
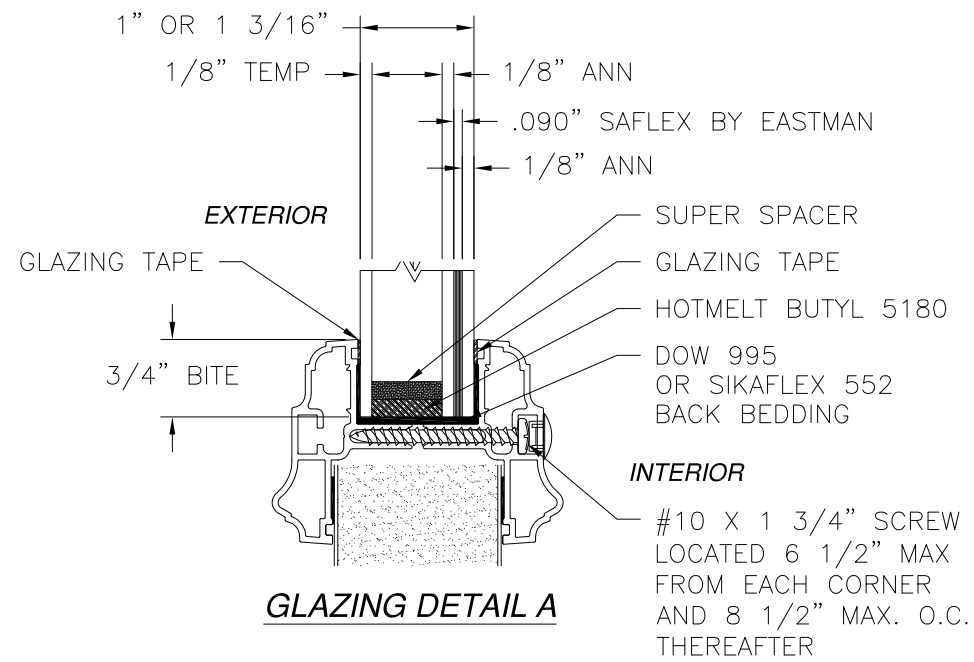
STEEL INSWING GLAZED DOOR – SINGLE & DOUBLE  
IMPACT  
INSTALLATION DETAILS W/FUSION FRAME

DRAWN: V.L.	DWG NO. 08-01957	REV H
SCALE NTS	DATE 03/05/13	SHEET 6 OF 10

L. ROBERTO LOMAS P.E.  
1432 WOODFORD RD LEWISVILLE, NC 27023  
434-688-0609 rllomas@rlomaspe.com

Luis R. Lomas P.E.  
FL No.: 62514

REVISIONS			
REV	DESCRIPTION	DATE	APPROVED
H	ADDED MULTILITE PANELS & TRIMS	08/10/2021	R.L.



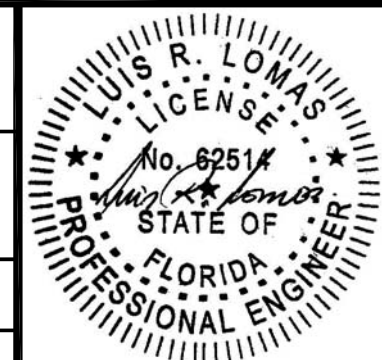
SIGNED: 09/07/2021

PROVIA, LLC.  
2150 STATE ROUTE 39 WEST  
SUGARCREEK, OH 44681

STEEL INSWING GLAZED DOOR – SINGLE & DOUBLE  
IMPACT  
GLAZING DETAILS

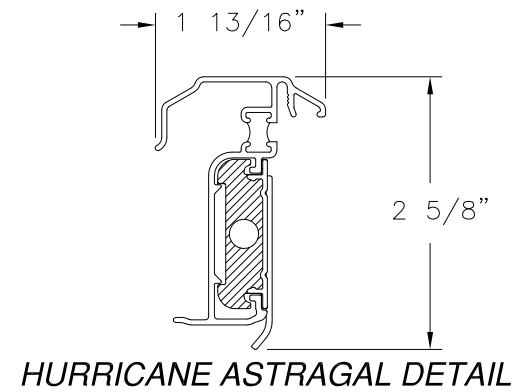
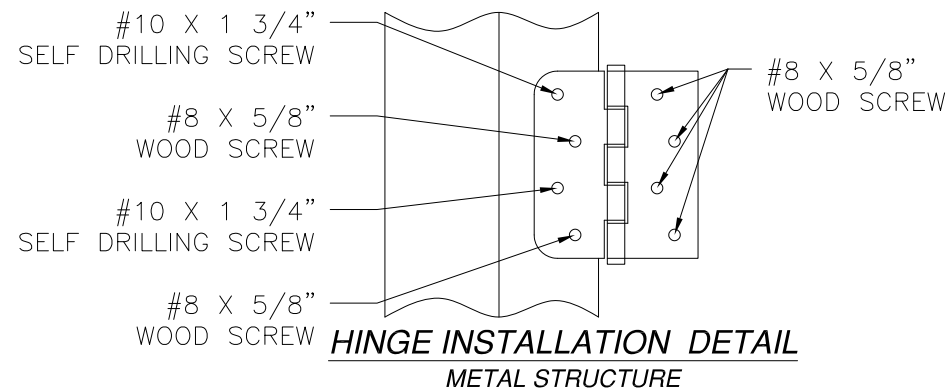
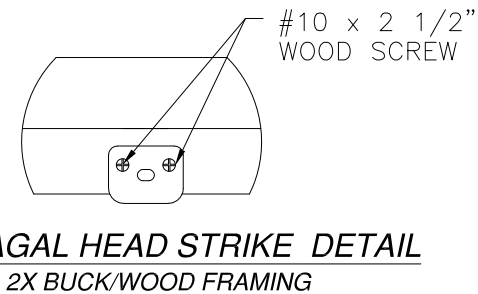
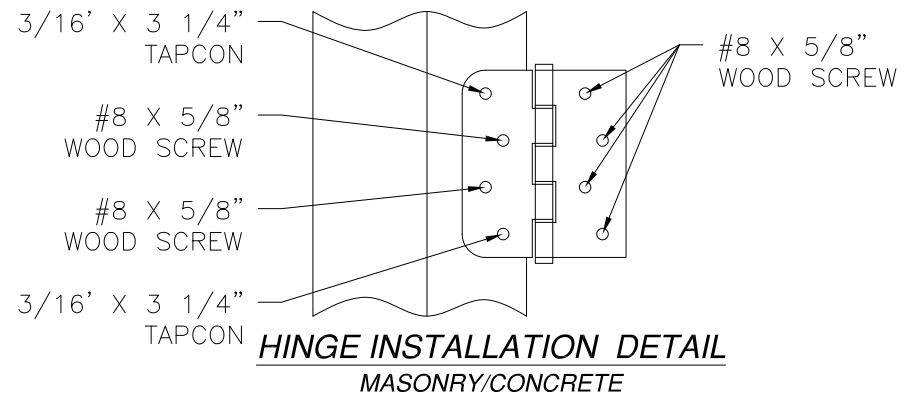
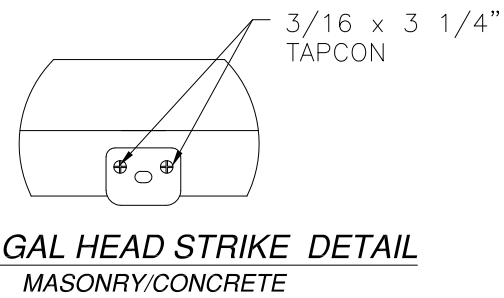
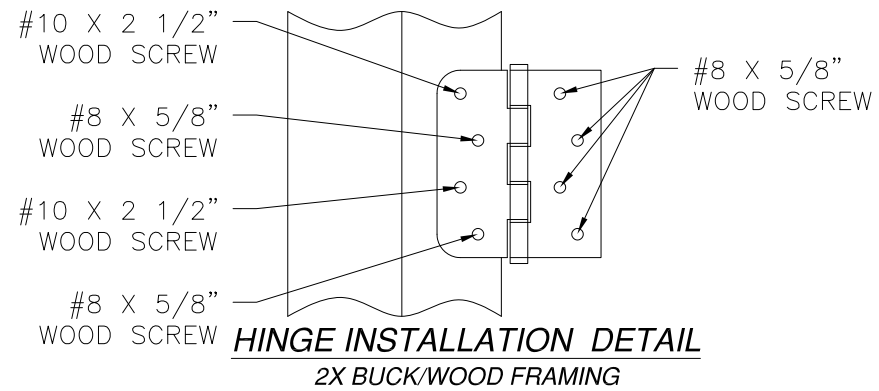
DRAWN: V.L.	DWG NO. 08-01957	REV H
SCALE NTS	DATE 03/05/13	SHEET 7 OF 10

L. ROBERTO LOMAS P.E.  
1432 WOODFORD RD LEWISVILLE, NC 27023  
434-688-0609 rllomas@rlomaspe.com



Luis R. Lomas P.E.  
FL No.: 62514

REVISIONS			
REV	DESCRIPTION	DATE	APPROVED
H	ADDED MULTILITE PANELS & TRIMS	08/10/2021	R.L.



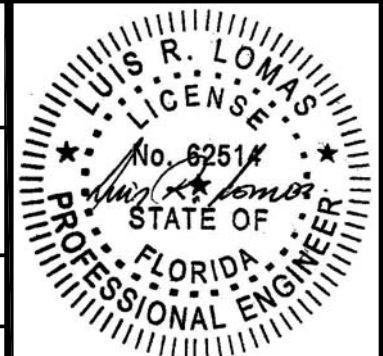
PROVIA, LLC.  
2150 STATE ROUTE 39 WEST  
SUGARCREEK, OH 44681

STEEL INSWING GLAZED DOOR – SINGLE & DOUBLE  
IMPACT  
COMPONENTS DETAILS

DRAWN: V.L.	DWG NO. 08-01957	REV H
SCALE NTS	DATE 03/05/13	SHEET 8 OF 10

L. ROBERTO LOMAS P.E.  
1432 WOODFORD RD LEWISVILLE, NC 27023  
434-688-0609 rllomas@lrlomaspe.com

SIGNED: 09/07/2021

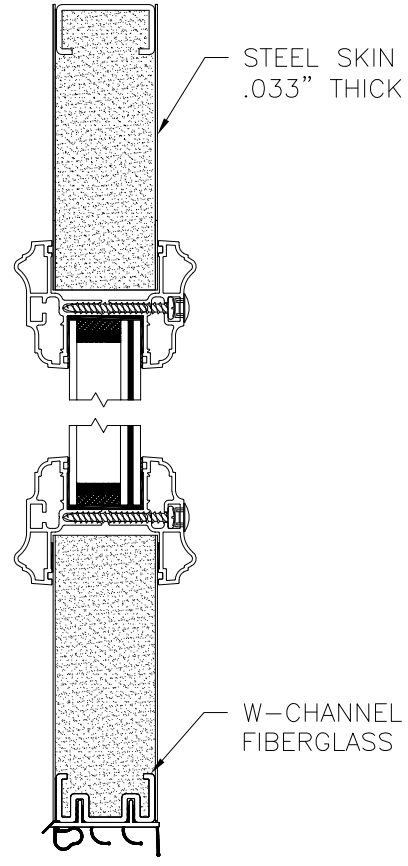


Luis R. Lomas P.E.  
FL No.: 62514

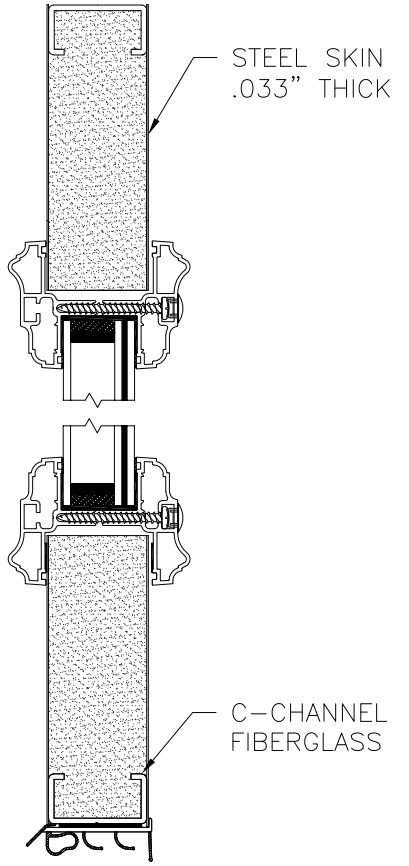


# APPROVED SLABS AND TRIMS

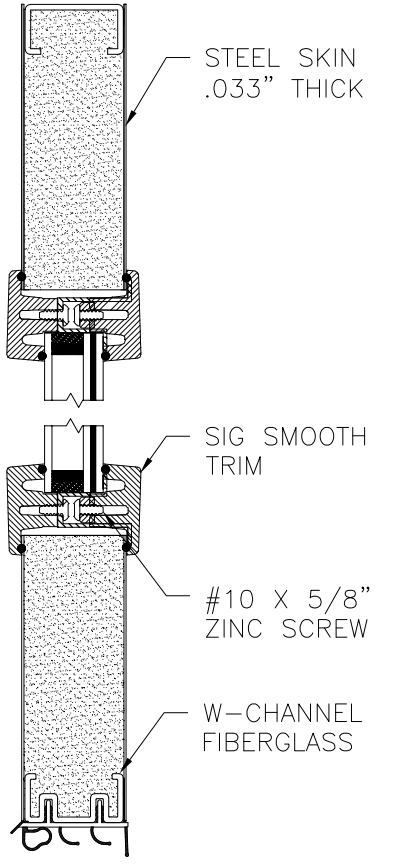
REVISIONS			
REV	DESCRIPTION	DATE	APPROVED
H	ADDED MULTILITE PANELS & TRIMS	08/10/2021	R.L.



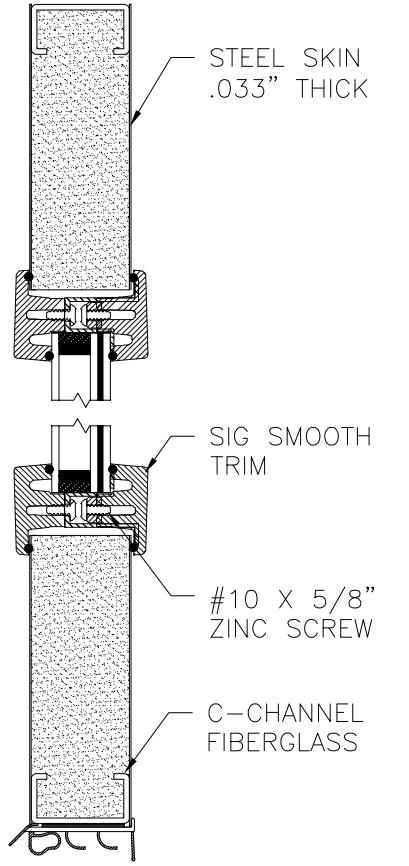
PANEL OPTION 1



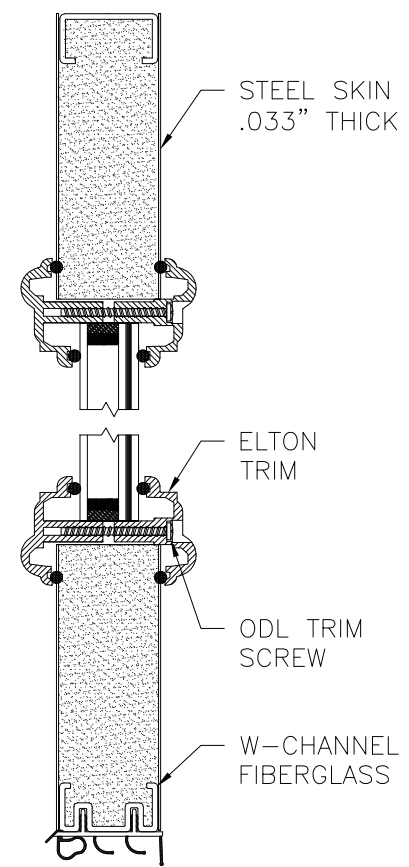
PANEL OPTION 2



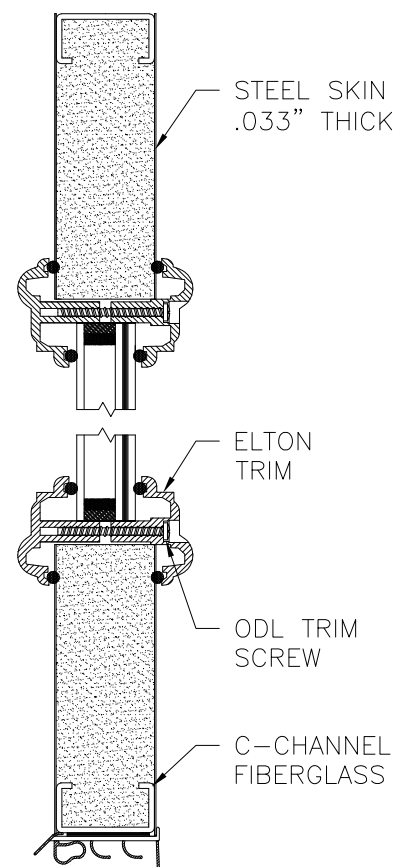
PANEL OPTION 3



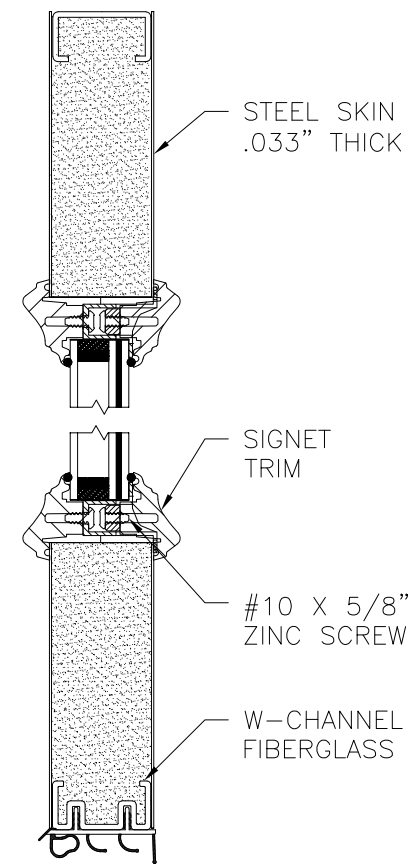
PANEL OPTION 4



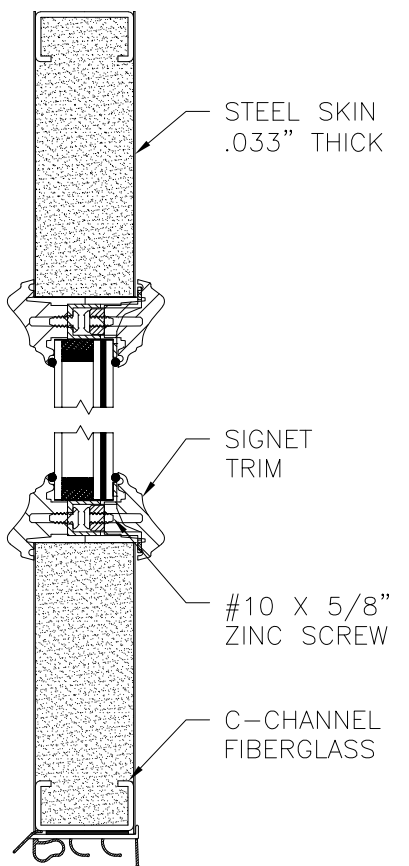
PANEL OPTION 9



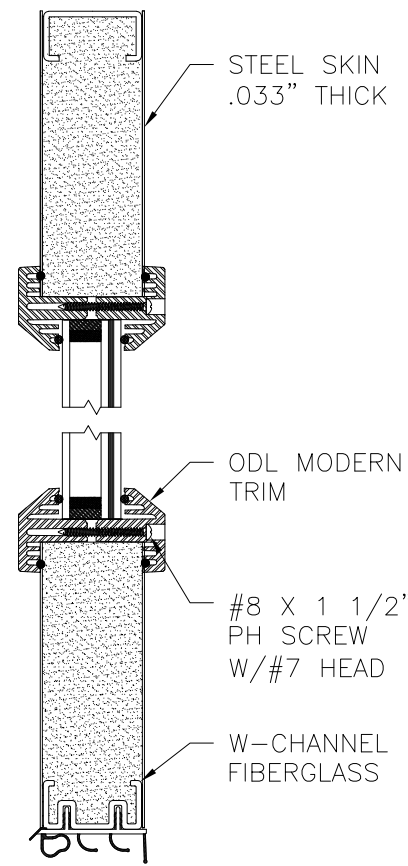
PANEL OPTION 10



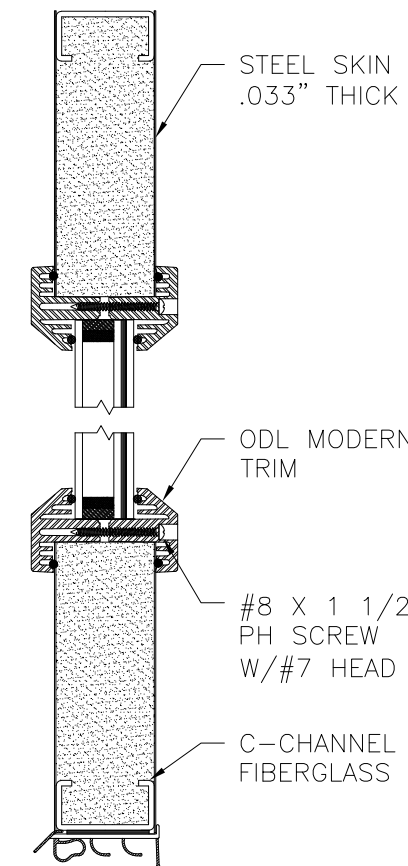
PANEL OPTION 5



PANEL OPTION 6



PANEL OPTION 7



PANEL OPTION 8

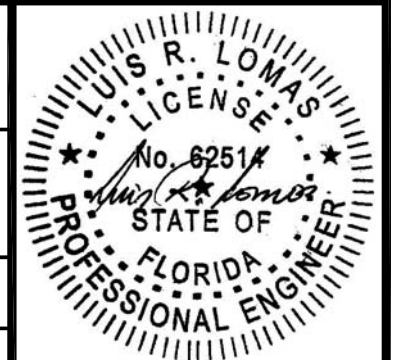
PROVIA, LLC.  
 2150 STATE ROUTE 39 WEST  
 SUGARCREEK, OH 44681

STEEL INSWING GLAZED DOOR - SINGLE & DOUBLE  
 IMPACT  
 APPROVED SLABS

DRAWN: V.L.	DWG NO. 08-01957	REV H
SCALE NTS	DATE 03/05/13	SHEET 9 OF 10

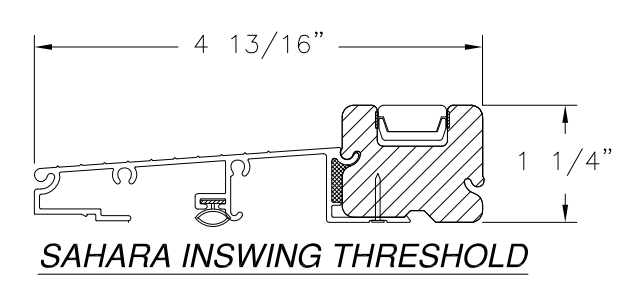
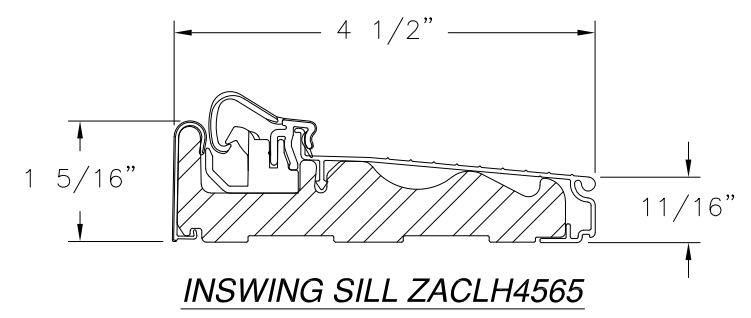
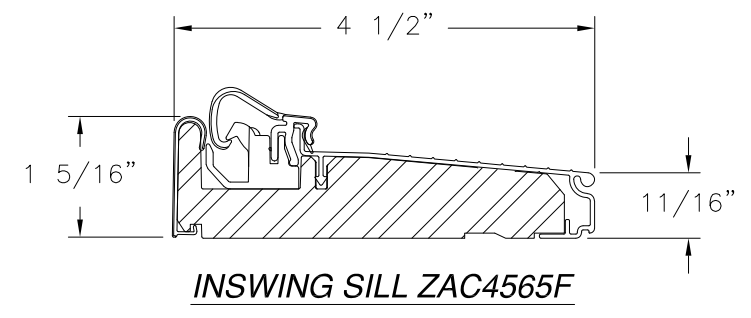
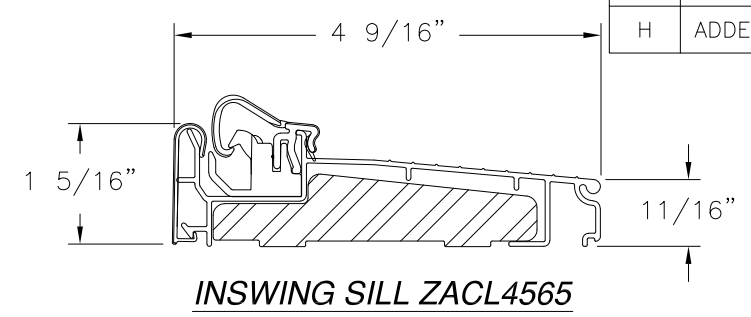
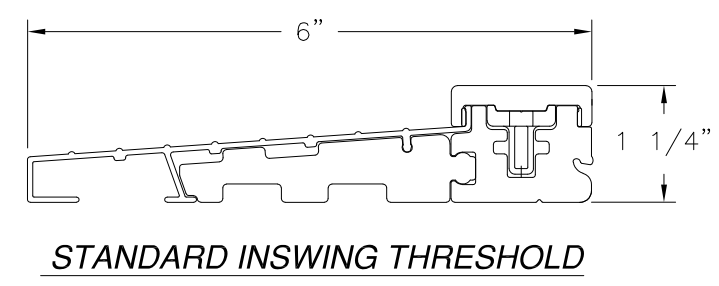
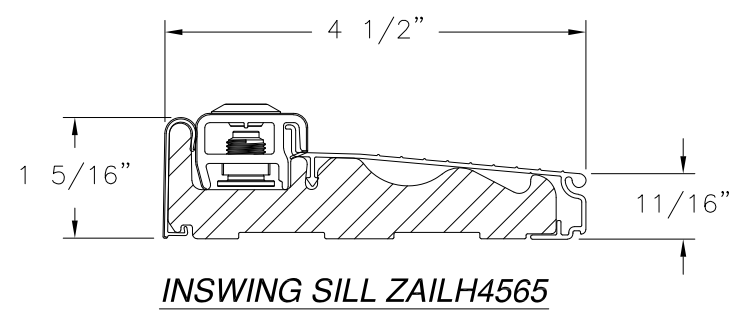
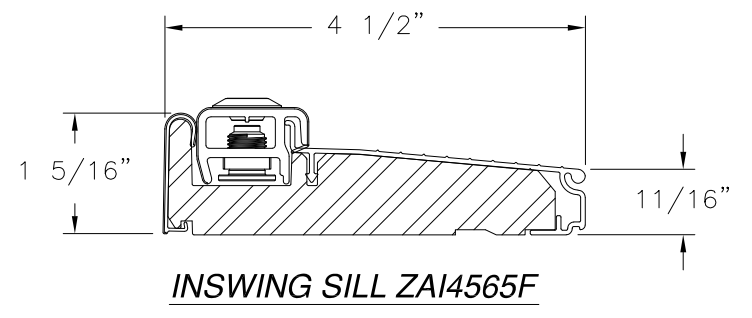
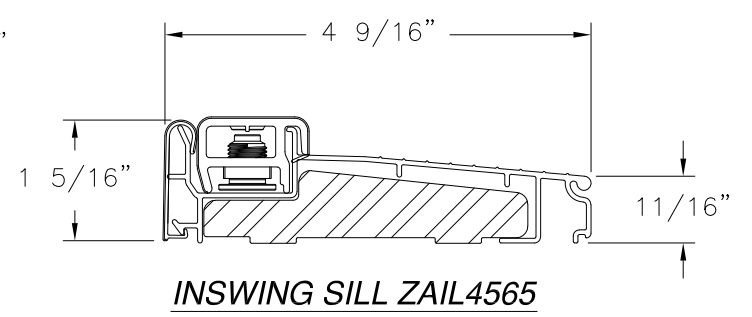
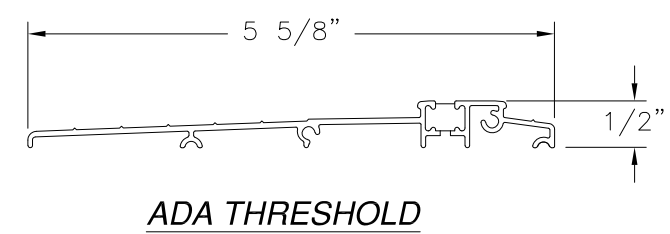
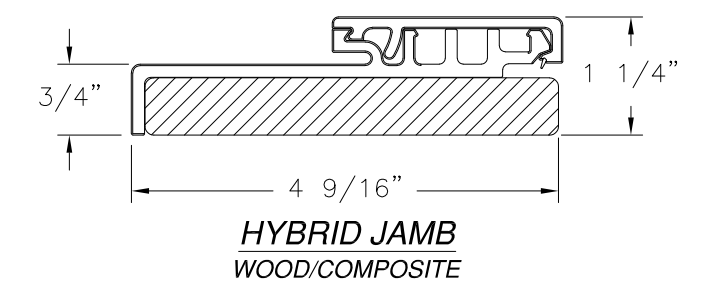
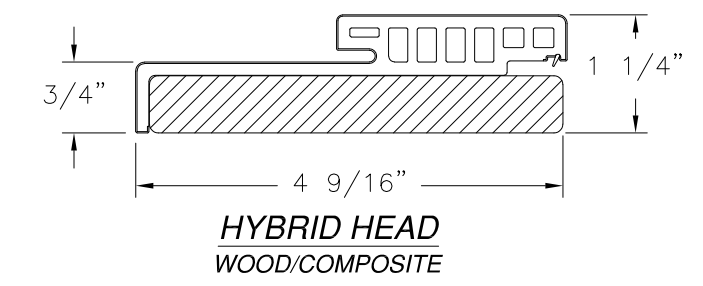
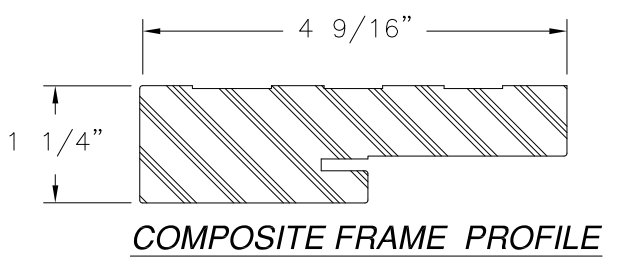
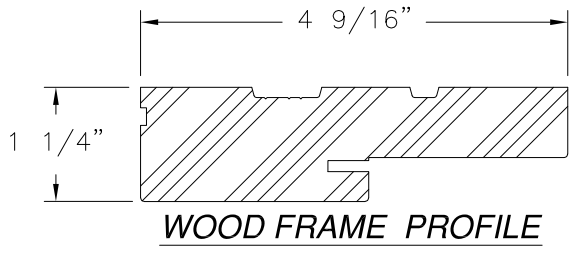
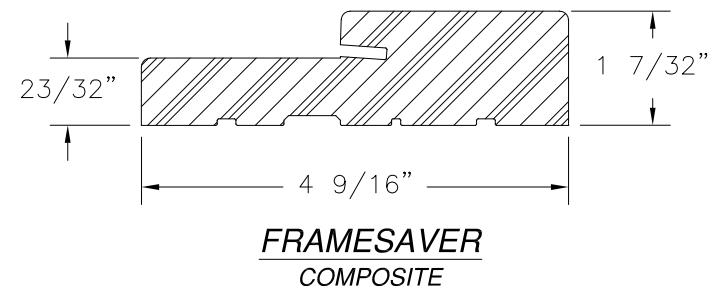
L. ROBERTO LOMAS P.E.  
 1432 WOODFORD RD LEWISVILLE, NC 27023  
 434-688-0609 rllomas@lrlomaspe.com

SIGNED: 09/07/2021



Luis R. Lomas P.E.  
 FL No.: 62514

REVISIONS			
REV	DESCRIPTION	DATE	APPROVED
H	ADDED MULTILITE PANELS & TRIMS	08/10/2021	R.L.



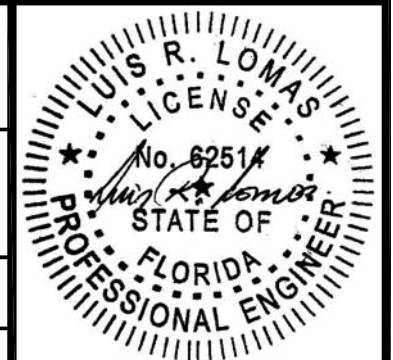
PROVIA, LLC.  
2150 STATE ROUTE 39 WEST  
SUGARCREEK, OH 44681

STEEL INSWING GLAZED DOOR – SINGLE & DOUBLE  
IMPACT  
COMPONENTS

DRAWN: V.L.	DWG NO. 08-01957	REV H
SCALE NTS	DATE 03/05/13	SHEET 10 OF 10

L. ROBERTO LOMAS P.E.  
1432 WOODFORD RD LEWISVILLE, NC 27023  
434-688-0609 rllomas@rlomaspe.com

SIGNED: 09/07/2021



Luis R. Lomas P.E.  
FL No.: 62514