

REVISIONS			
REV	DESCRIPTION	DATE	APPROVED
G	ADDED MULTILITE PANELS & TRIMS	08/12/2021	R.L.

NOTES:

1. THE PRODUCT SHOWN HEREIN IS DESIGNED AND MANUFACTURED TO COMPLY WITH REQUIREMENTS OF THE FLORIDA BUILDING CODE.
2. WOOD FRAMING, METAL STRUCTURE AND MASONRY OPENING TO BE DESIGNED AND ANCHORED TO PROPERLY TRANSFER ALL LOADS TO STRUCTURE. FRAMING AND MASONRY OPENING IS THE RESPONSIBILITY OF THE ARCHITECT OR ENGINEER OF RECORD.
3. 1X BUCK OVER MASONRY/CONCRETE IS OPTIONAL. WHERE 1X BUCK IS NOT USED DISSIMILAR MATERIALS MUST BE SEPARATED WITH APPROVED COATING OR MEMBRANE. SELECTION OF COATING OR MEMBRANE IS THE RESPONSIBILITY OF THE ARCHITECT OR ENGINEER OF RECORD.
4. ALLOWABLE STRESS INCREASE OF 1/3 WAS NOT USED IN THE DESIGN OF THE PRODUCT SHOWN HEREIN. WIND LOAD DURATION FACTOR Cd=1.6 WAS USED FOR WOOD ANCHOR CALCULATIONS.
5. FRAME MATERIAL: WOOD WITH G=.46 MINIMUM SPECIFIC GRAVITY, OR COMPOSITE, OR FRAMESAVER, OR FUSION FRAME.
DOOR SKIN MATERIAL: STEEL .033" THICK (MINIMUM)
SIDELITE SKIN MATERIAL: STEEL .022" THICK (MINIMUM)
6. UNITS MUST BE GLAZED PER ASTM E1300, SEE SHEET 11 FOR GLASS DETAILS.
7. APPROVED IMPACT PROTECTIVE SYSTEM IS NOT REQUIRED FOR THIS PRODUCT IN WIND BORNE DEBRIS REGIONS UP TO WIND ZONE 3.
8. SHIM AS REQUIRED AT EACH INSTALLATION ANCHOR WITH LOAD BEARING SHIM. SHIM WHERE SPACE OF 1/16" OR GREATER OCCURS. MAXIMUM ALLOWABLE SHIM STACK TO BE 1/4".
9. FOR ANCHORING INTO WOOD FRAMING OR 2X BUCK USE #10 WOOD SCREWS WITH SUFFICIENT LENGTH TO ACHIEVE A 1 3/8" MINIMUM EMBEDMENT INTO SUBSTRATE. LOCATE ANCHORS AS SHOWN IN ELEVATIONS AND INSTALLATION DETAILS.
10. FOR ANCHORING INTO MASONRY/CONCRETE USE 3/16" TAPCONS WITH SUFFICIENT LENGTH TO ACHIEVE A 1 3/4" MINIMUM EMBEDMENT INTO SUBSTRATE WITH 2" MINIMUM EDGE DISTANCE. LOCATE ANCHORS AS SHOWN IN ELEVATIONS AND INSTALLATION DETAILS.
11. FOR ANCHORING INTO METAL STRUCTURE USE #10 SMS OR SELF DRILLING SCREWS WITH SUFFICIENT LENGTH TO ACHIEVE 3 THREADS MINIMUM BEYOND STRUCTURE INTERIOR WALL. LOCATE ANCHORS AS SHOWN IN ELEVATIONS AND INSTALLATION DETAILS.
12. ALL FASTENERS TO BE CORROSION RESISTANT.
13. INSTALLATION ANCHORS SHALL BE INSTALLED IN ACCORDANCE WITH ANCHOR MANUFACTURER'S INSTALLATION INSTRUCTIONS AND ANCHORS SHALL NOT BE USED IN SUBSTRATES WITH STRENGTHS LESS THAN THE MINIMUM STRENGTH SPECIFIED BELOW:
 - A. WOOD – MINIMUM SPECIFIC GRAVITY OF G=0.42
 - B. CONCRETE – MINIMUM COMPRESSIVE STRENGTH OF 3,192 PSI.
 - C. MASONRY – GROUT FILLED STRENGTH CONFORMANCE TO ASTM C-90, GRADE N, TYPE 1 (OR GREATER).
 - D. METAL STRUCTURE: STEEL 18GA, 33KSI OR ALUMINUM 6063-T5 .048" THICK MINIMUM
14. DOOR CONSTRUCTION MAYBE CONTINUOUS HEAD FRAME AND CONTINUOUS THRESHOLD OR BOX CONSTRUCTION.

TABLE OF CONTENTS	
SHEET NO.	DESCRIPTION
1	NOTES
2 – 3	ELEVATIONS
4	ANCHORING LAYOUTS
5 – 10	INSTALLATION DETAILS
11	GLAZING AND HINGES DETAILS
12 – 14	MULLION DETAILS, APPROVED SLABS AND COMPONENTS

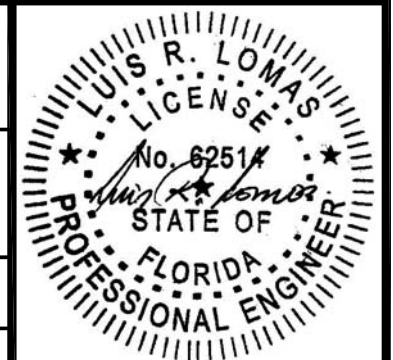
PROVIA, LLC.
2150 STATE ROUTE 39 WEST
SUGARCREEK, OH 44681

STEEL INSWING GLAZED SINGLE DOOR
W/SIDELITES & TRANSOM – IMPACT
NOTES

DRAWN: V.L.	DWG NO. 08-01965	REV G
SCALE NTS	DATE 04/22/13	SHEET 1 OF 14

L. ROBERTO LOMAS P.E.
1432 WOODFORD RD LEWISVILLE, NC 27023
434-688-0609 rllomas@rlomaspe.com

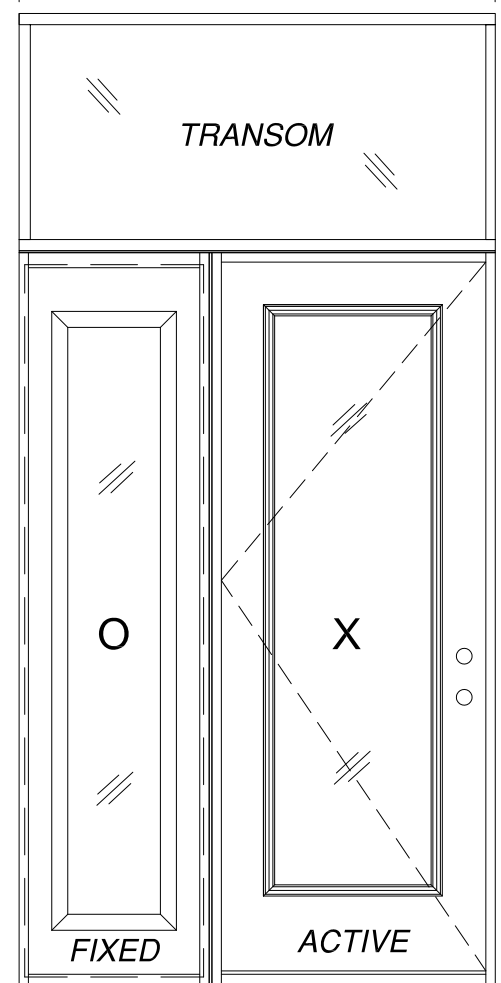
SIGNED: 09/07/2021



Luis R. Lomas P.E.
FL No.: 62514

REVISIONS			
REV	DESCRIPTION	DATE	APPROVED
G	ADDED MULTILITE PANELS & TRIMS	08/12/2021	R.L.

69 15/16" FRAME WIDTH
SEE NOTE 1 THIS SHEET



25 3/8" FRAME WIDTH

37 9/16" FRAME WIDTH

3/8" MULLION
MINIMUM
SEE NOTES 1 AND 2
THIS SHEET
& DETAILS A & C
SHEET 12

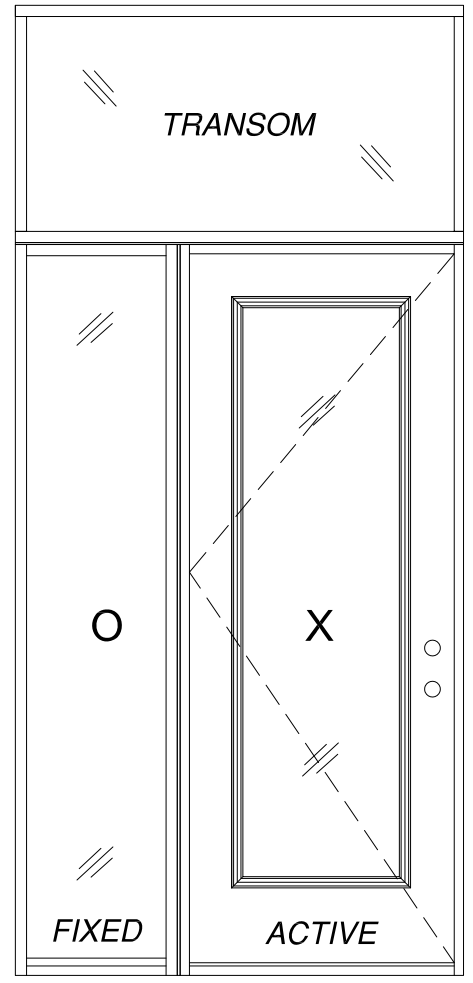
SINGLE DOOR W/ STD SIDELITE AND TRANSOM
EXTERIOR VIEW
OX SHOWN XO ALSO APPROVED

DESIGN PRESSURE RATING	IMPACT RATING
±55.0PSF	LARGE MISSILE IMPACT

MISSILE LEVEL D, WIND ZONE 3

35 3/4" x 94 15/16" PANEL SIZE SHOWN. OTHER SIZES ARE APPROVED AS LONG AS INDIVIDUAL PANEL AREA DOES NOT EXCEED 23.56 FT²

66 3/16" FRAME WIDTH
SEE NOTE 1 THIS SHEET



21 5/8" FRAME WIDTH

37 9/16" FRAME WIDTH

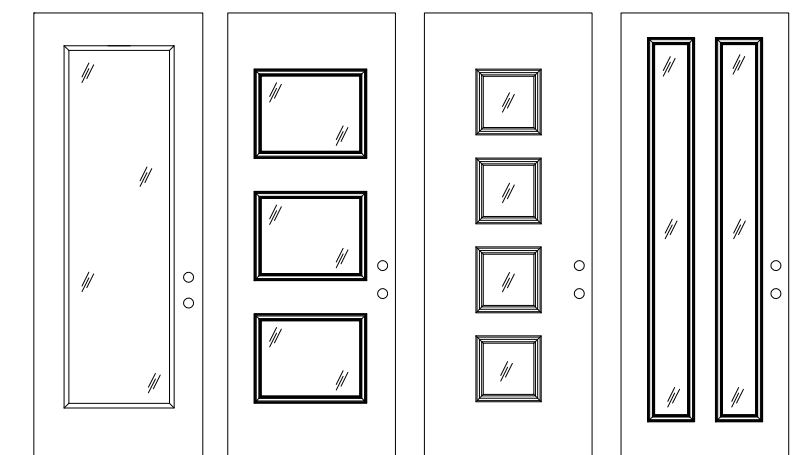
3/8" MULLION
MINIMUM
SEE NOTES 1 AND 2
THIS SHEET
& DETAILS A & C
SHEET 12

SINGLE DOOR W/ DIRECT SET SIDELITE AND TRANSOM
EXTERIOR VIEW
OX SHOWN XO ALSO APPROVED

1/2" MULLION
MINIMUM
SEE NOTE 3
THIS SHEET
& DETAILS B & C
SHEET 12

1/2" MULLION
MINIMUM
SEE NOTE 3
THIS SHEET
& DETAILS B & C
SHEET 12

APPROVED LITE CONFIGURATIONS



FULL LITE 3 LITE 4 LITE 2 LITE
LITE CONFIGURATIONS SHOWN ARE FOR REFERENCE ONLY.
MULTIPLE LITE CONFIGURATIONS ARE APPROVED AS LONG AS
LITE SIZE DOES NOT EXCEED 11.1 FT²

- NOTES:
1. MAXIMUM ALLOWED BUILDUP TO BE 7".
 2. IF SIDELITE WIDTH IS 16" OR LESS NO VERTICAL MULLION IS REQUIRED.
 3. IF TRANSOM HEIGHT IS 16" OR LESS NO HORIZONTAL MULLION IS REQUIRED.

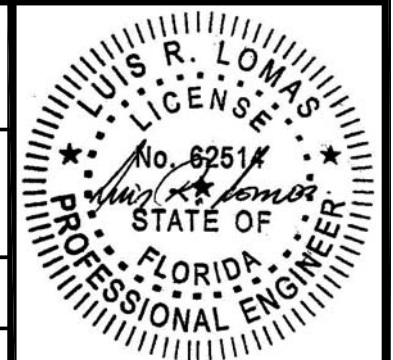
SIGNED: 09/07/2021

PROVIA, LLC.
2150 STATE ROUTE 39 WEST
SUGARCREEK, OH 44681

STEEL INSWING GLAZED SINGLE DOOR
W/SIDELITES & TRANSOM - IMPACT
ELEVATION AND APPROVED CONFIGURATIONS

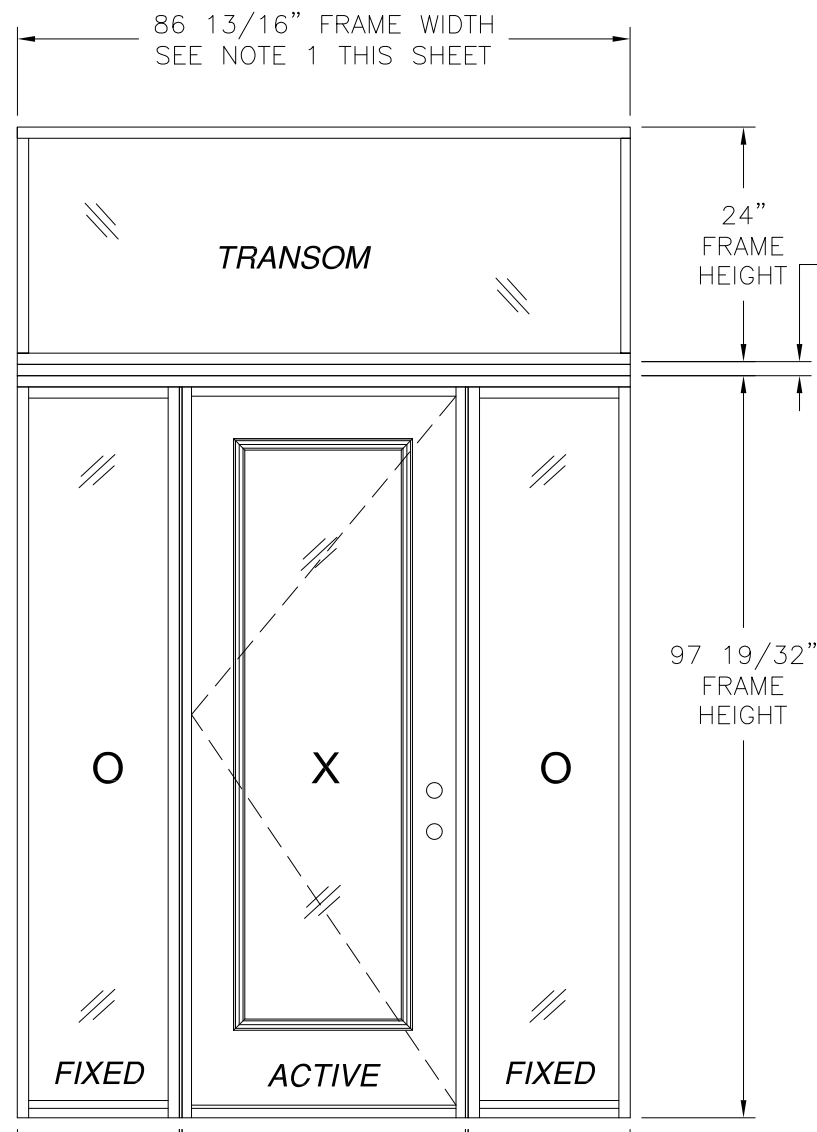
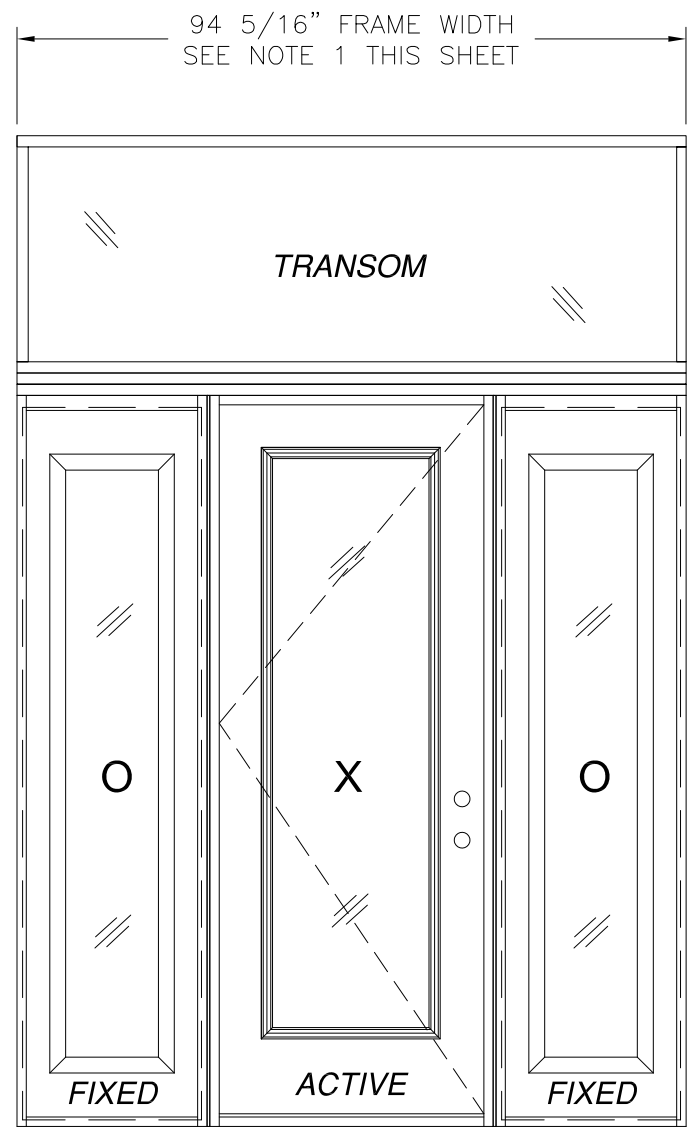
DRAWN: V.L.	DWG NO. 08-01965	REV G
SCALE NTS	DATE 04/22/13	SHEET 2 OF 14

L. ROBERTO LOMAS P.E.
1432 WOODFORD RD LEWISVILLE, NC 27023
434-688-0609 rllomas@rlomaspe.com



Luis R. Lomas P.E.
FL No.: 62514

REVISIONS			
REV	DESCRIPTION	DATE	APPROVED
G	ADDED MULTILITE PANELS & TRIMS	08/12/2021	R.L.



1 3/4" MULLION MINIMUM SEE DETAIL D SHEET 12

3/8" MULLION MINIMUM SEE NOTES 1 AND 2 THIS SHEET & DETAILS A & C SHEET 12

3/8" MULLION MINIMUM SEE NOTES 1 AND 2 THIS SHEET & DETAILS A & C SHEET 12

3/8" MULLION MINIMUM SEE NOTES 1 AND 2 THIS SHEET & DETAILS A & C SHEET 12

3/8" MULLION MINIMUM SEE NOTES 1 AND 2 THIS SHEET & DETAILS A & C SHEET 12

- NOTES:
1. MAXIMUM ALLOWED BUILDUP TO BE 3" AT EACH VERTICAL MULLION.
 2. IF SIDELITE WIDTH IS 16" OR LESS NO VERTICAL MULLION IS REQUIRED

SINGLE DOOR W/ STD SIDELITES AND TRANSOM
EXTERIOR VIEW

SINGLE DOOR W/ DIRECT SET SIDELITES AND TRANSOM
EXTERIOR VIEW

DESIGN PRESSURE RATING	IMPACT RATING
±55.0PSF	LARGE MISSILE IMPACT

MISSILE LEVEL D, WIND ZONE 3

35 3/4" x 94 15/16" PANEL SIZE SHOWN. OTHER SIZES ARE APPROVED AS LONG AS INDIVIDUAL PANEL AREA DOES NOT EXCEED 23.56 FT²

SIGNED: 09/07/2021

PROVIA, LLC.
2150 STATE ROUTE 39 WEST
SUGARCREEK, OH 44681

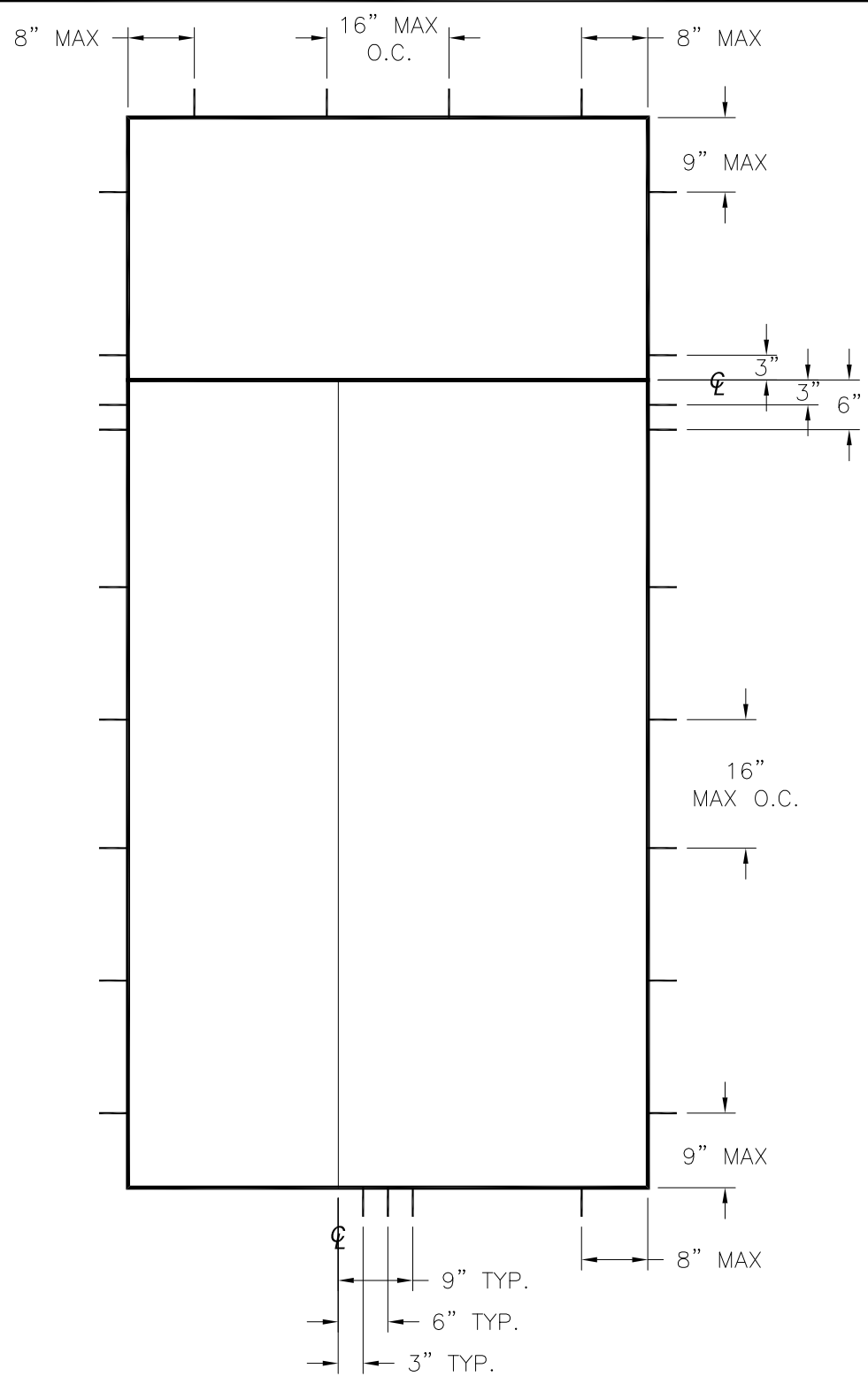
STEEL INSWING GLAZED SINGLE DOOR
W/SIDELITES & TRANSOM - IMPACT
ELEVATIONS AND APPROVED CONFIGURATIONS

DRAWN: V.L.	DWG NO. 08-01965	REV G
SCALE NTS	DATE 04/22/13	SHEET 3 OF 14

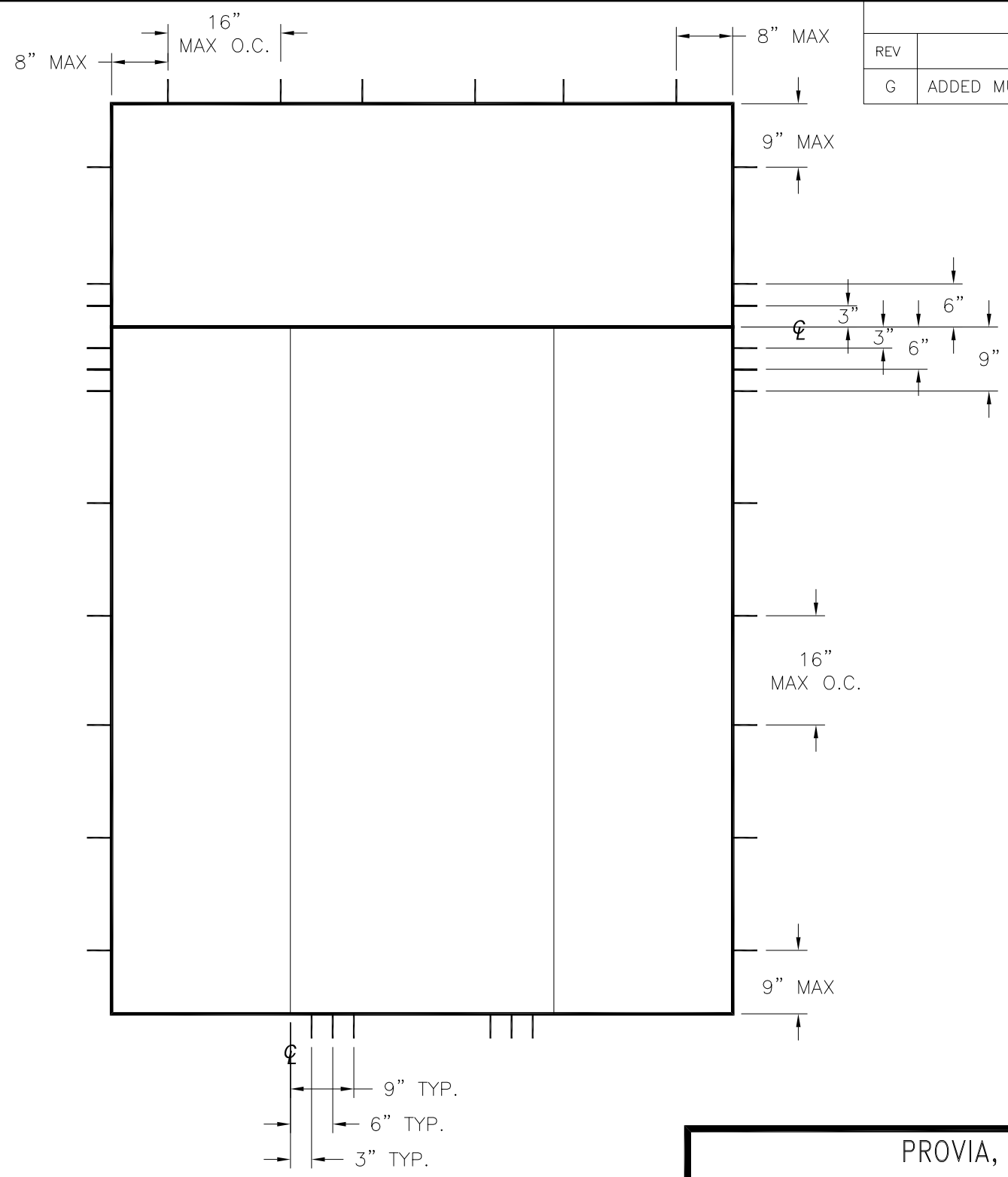
L. ROBERTO LOMAS P.E.
1432 WOODFORD RD LEWISVILLE, NC 27023
434-688-0609 rllomas@rlomaspe.com



Luis R. Lomas P.E.
FL No.: 62514



SINGLE W/SIDELITE AND TRANSOM



SINGLE W/SIDELITES AND TRANSOM

REVISIONS			
REV	DESCRIPTION	DATE	APPROVED
G	ADDED MULTILITE PANELS & TRIMS	08/12/2021	R.L.

HARDWARE SCHEDULE	
A.	F-SERIES LOCK ASSEMBLY DOOR KNOB BY SCHLAGE.
B.	B-SERIES DEADBOLT ASSEMBLY BY SCHLAGE.
C.	F-SERIES DEADBOLT ASSEMBLY BY SCHLAGE.
D.	RESIDENTIAL GRADE DOOR HANDLE ASSEMBLY BY EMTEK (ALTERNATE).
E.	MULTI-POINT LOCK HANDLE ASSEMBLY BY TRILENNIUM (ALTERNATE).
F.	(3) 4" x 4" BALL BEARING HINGES BY PENROD.
G.	(3) 4" x 4" SPRING BOMMER HINGES BY PENROD. (ALTERNATE)

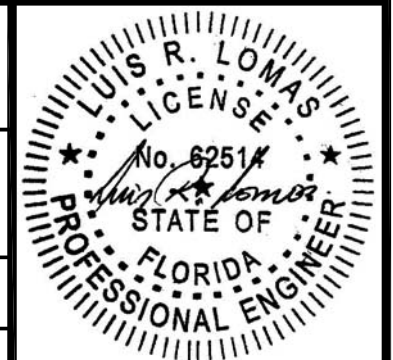
PROVIA, LLC.
2150 STATE ROUTE 39 WEST
SUGARCREEK, OH 44681

STEEL INSWING GLAZED SINGLE DOOR
W/SIDELITES & TRANSOM – IMPACT
ANCHORING LAYOUTS

DRAWN: V.L.	DWG NO. 08-01965	REV G
SCALE NTS	DATE 04/22/13	SHEET 4 OF 14

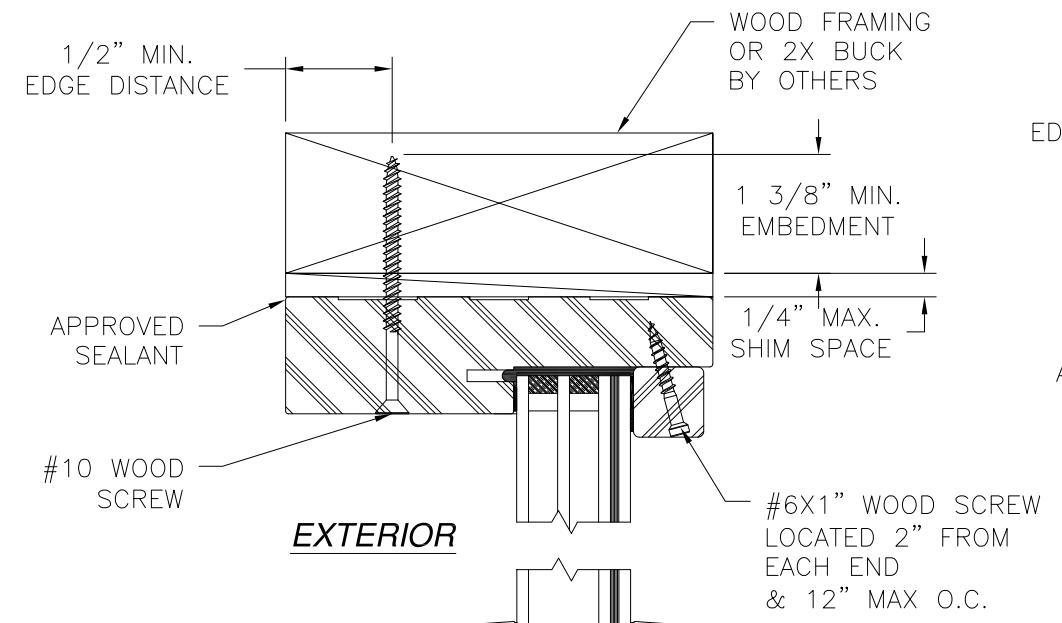
L. ROBERTO LOMAS P.E.
1432 WOODFORD RD LEWISVILLE, NC 27023
434-688-0609 rllomas@rlomaspe.com

SIGNED: 09/07/2021

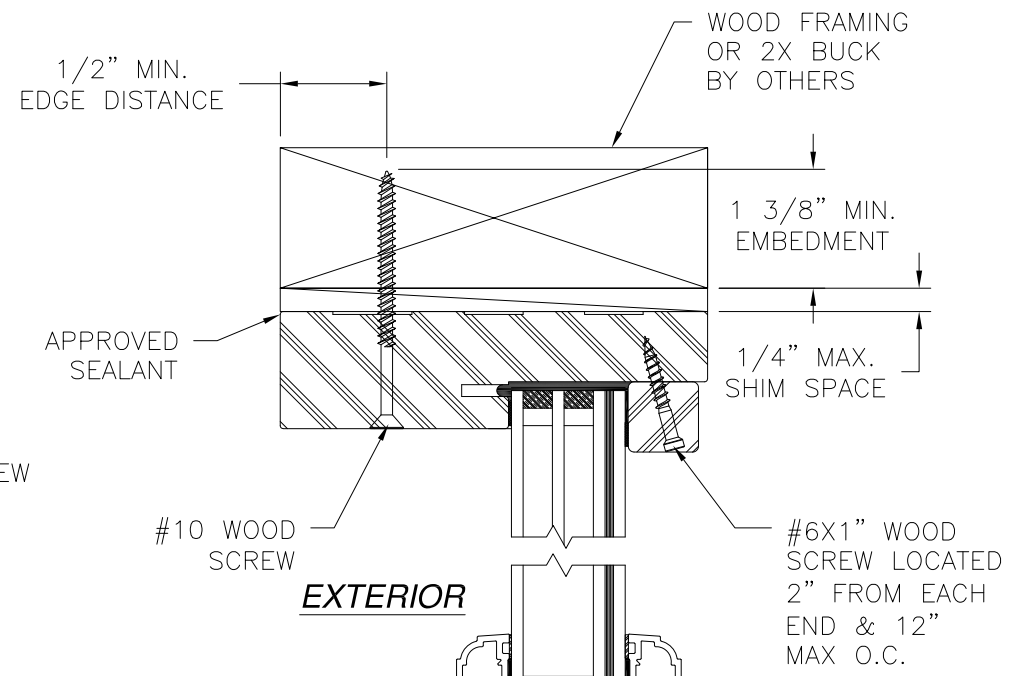


Luis R. Lomas P.E.
FL No.: 62514

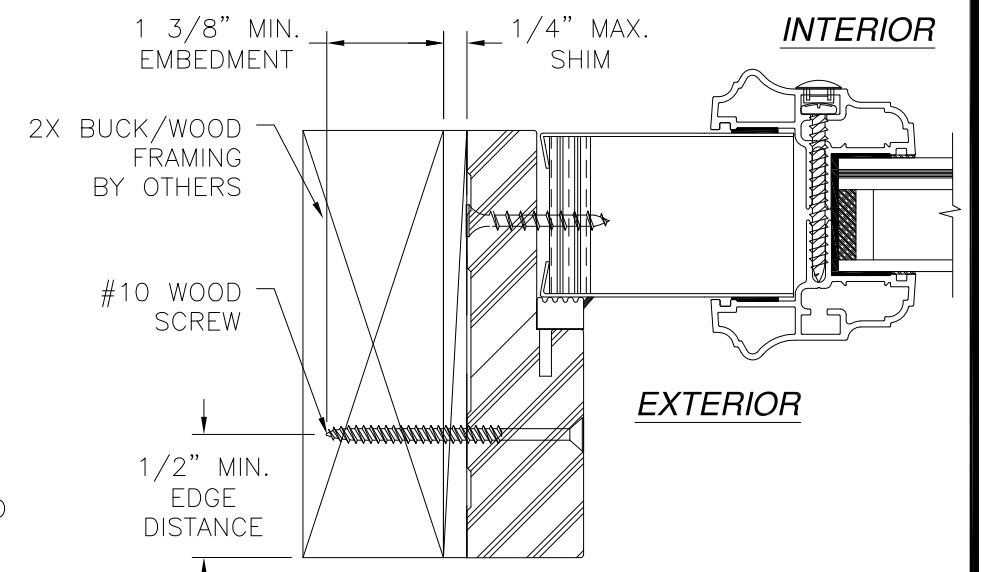
REVISIONS			
REV	DESCRIPTION	DATE	APPROVED
G	ADDED MULTILITE PANELS & TRIMS	08/12/2021	R.L.



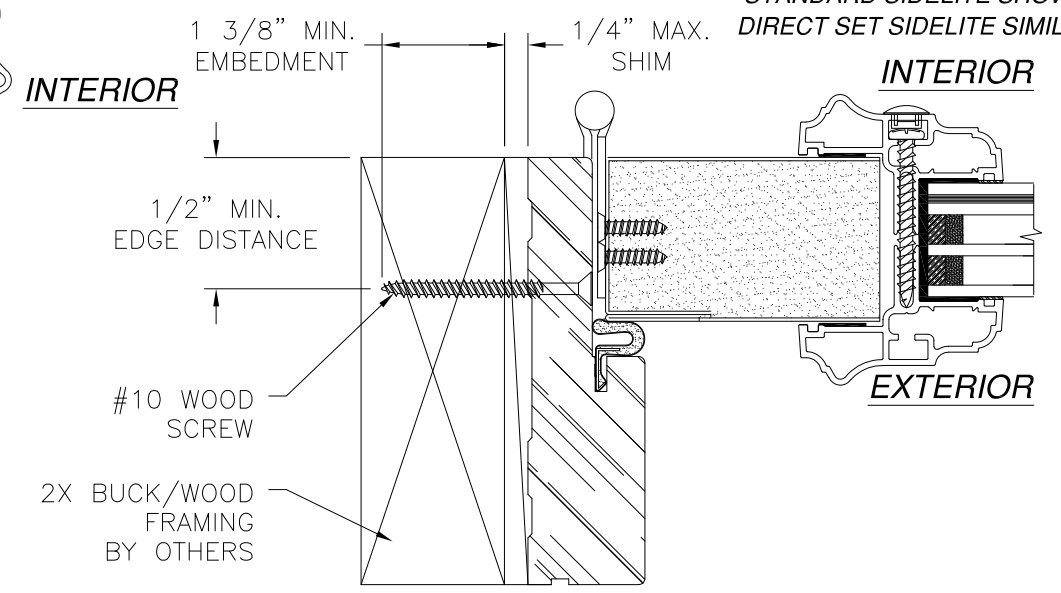
VERTICAL CROSS SECTION
DOOR AND TRANSOM INSTALLATION - 2X BUCK/WOOD FRAMING
 TRANSOM HEAD SHOWN
 TRANSOM JAMB SIMILAR



VERTICAL CROSS SECTION
SIDELITE AND TRANSOM INSTALLATION 2X BUCK/WOOD FRAMING
 STANDARD SIDELITE SHOWN
 TRANSOM HEAD SHOWN
 TRANSOM JAMB SIMILAR



HORIZONTAL CROSS SECTION
SIDELITE INSTALLATION 2X BUCK/WOOD FRAMING
 STANDARD SIDELITE SHOWN
 DIRECT SET SIDELITE SIMILAR



HORIZONTAL CROSS SECTION
DOOR INSTALLATION - 2X BUCK/WOOD FRAMING

SIGNED: 09/07/2021

- NOTES:**
1. INTERIOR AND EXTERIOR FINISHES, BY OTHERS, NOT SHOWN FOR CLARITY.
 2. PERIMETER AND JOINT SEALANT BY OTHERS TO BE DESIGNED IN ACCORDANCE WITH ASTM E2112

PROVIA, LLC.
 2150 STATE ROUTE 39 WEST
 SUGARCREEK, OH 44681

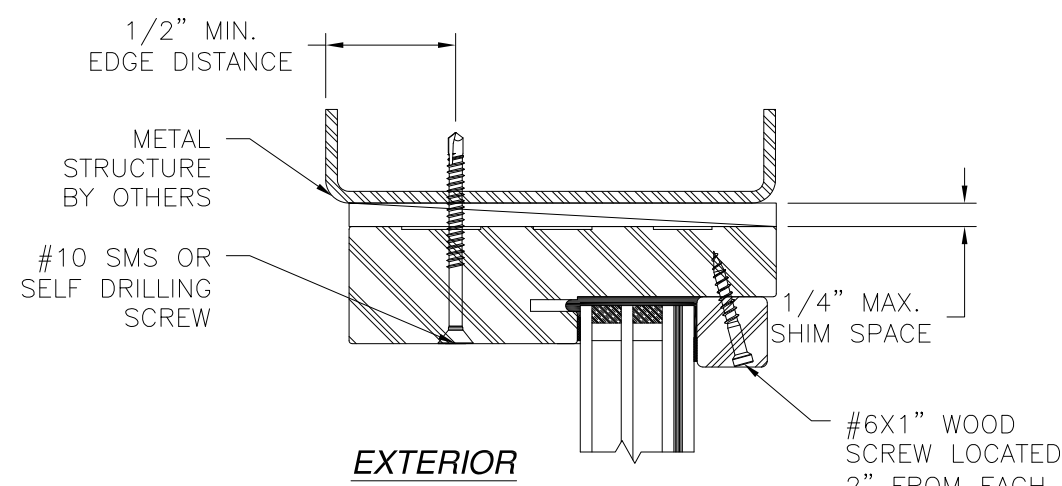
**STEEL INSWING GLAZED SINGLE DOOR
 W/SIDELITES & TRANSOM - IMPACT
 INSTALLATION DETAILS**

DRAWN: V.L.	DWG NO. 08-01965	REV G
SCALE NTS	DATE 04/22/13	SHEET 5 OF 14

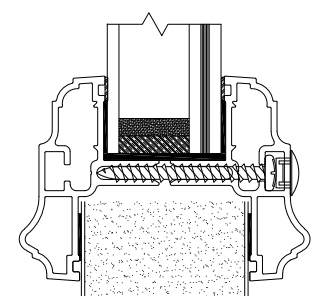
L. ROBERTO LOMAS P.E.
 1432 WOODFORD RD LEWISVILLE, NC 27023
 434-688-0609 rllomas@rlomaspe.com

Luis R. Lomas P.E.
 FL No.: 62514

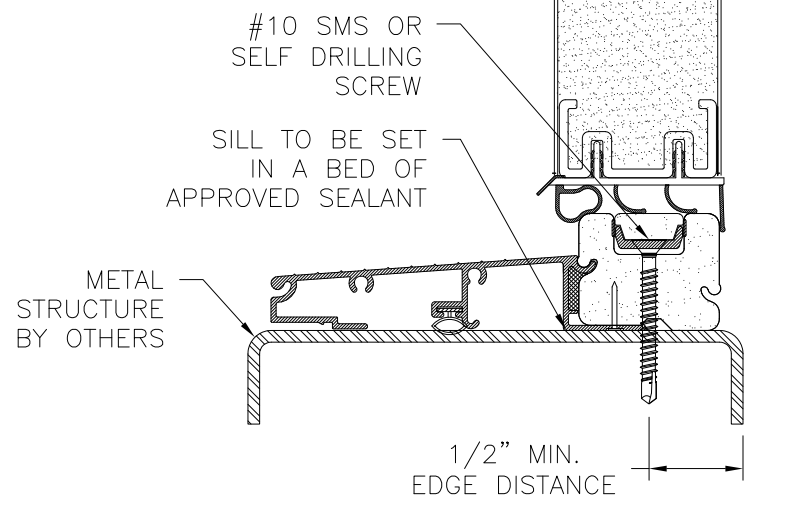
REVISIONS			
REV	DESCRIPTION	DATE	APPROVED
G	ADDED MULTILITE PANELS & TRIMS	08/12/2021	R.L.



EXTERIOR

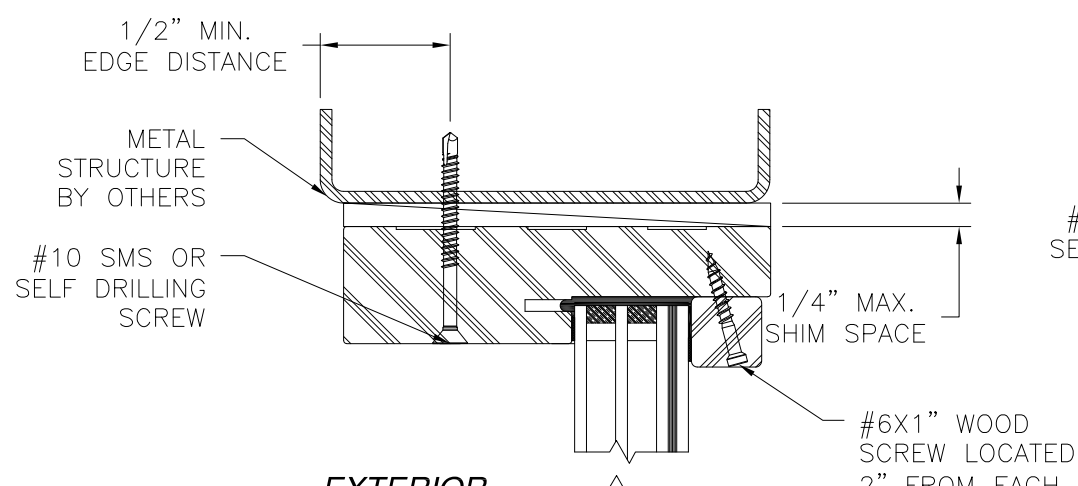


INTERIOR

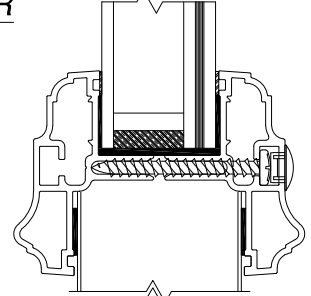


VERTICAL CROSS SECTION

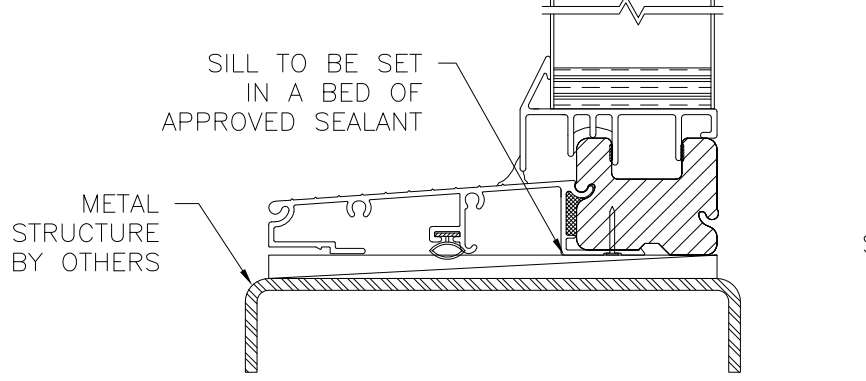
DOOR AND TRANSOM INSTALLATION METAL STRUCTURE
TRANSOM HEAD SHOWN
TRANSOM JAMB SIMILAR



EXTERIOR

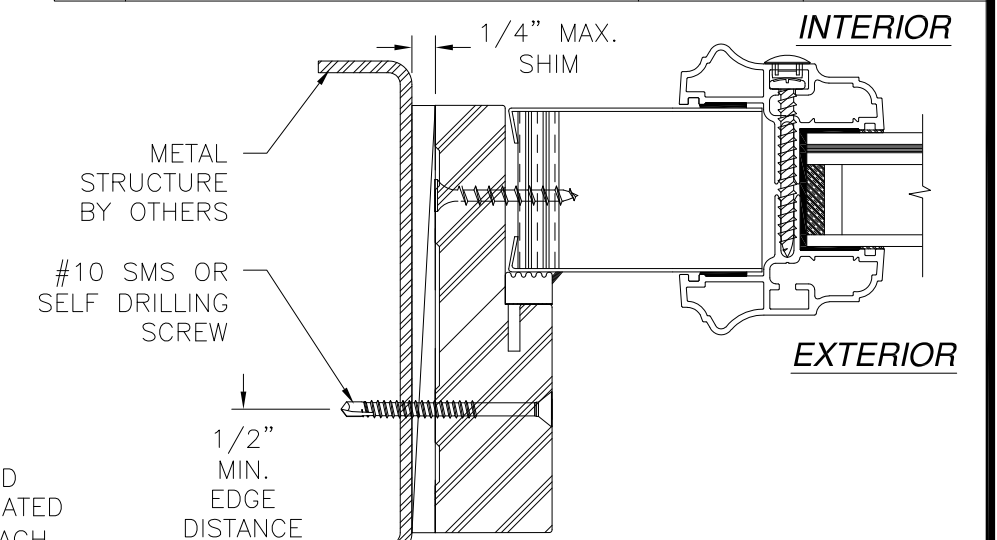


INTERIOR



VERTICAL CROSS SECTION

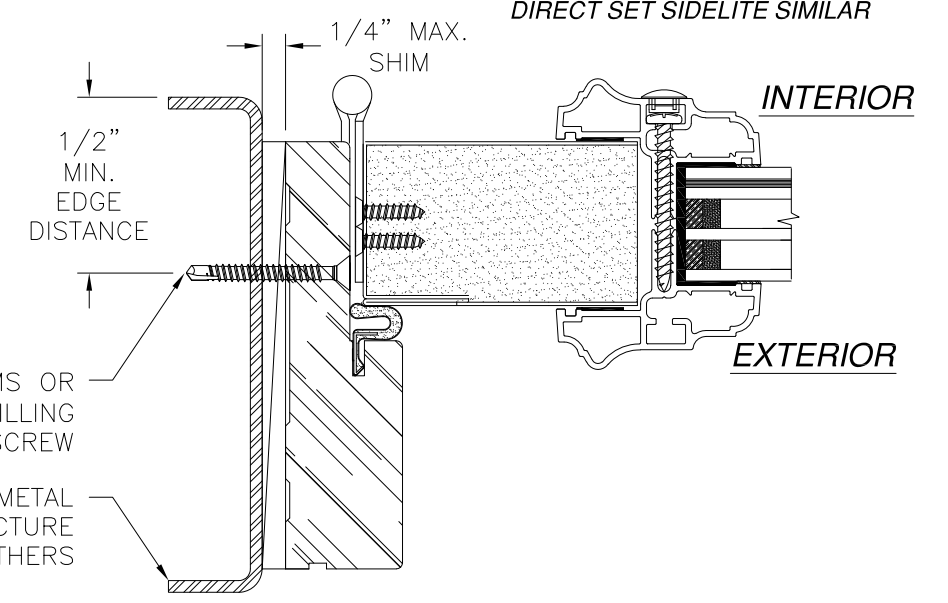
SIDELITE AND TRANSOM INSTALLATION METAL STRUCTURE
STANDARD SIDELITE SHOWN
DIRECT SET SIDELITE SIMILAR
TRANSOM HEAD SHOWN
TRANSOM JAMB SIMILAR



INTERIOR

EXTERIOR

HORIZONTAL CROSS SECTION
SIDELITE INSTALLATION METAL STRUCTURE
STANDARD SIDELITE SHOWN
DIRECT SET SIDELITE SIMILAR



INTERIOR

EXTERIOR

HORIZONTAL CROSS SECTION
DOOR INSTALLATION METAL STRUCTURE

SIGNED: 09/07/2021

- NOTES:**
1. INTERIOR AND EXTERIOR FINISHES, BY OTHERS, NOT SHOWN FOR CLARITY.
 2. PERIMETER AND JOINT SEALANT BY OTHERS TO BE DESIGNED IN ACCORDANCE WITH ASTM E2112

PROVIA, LLC.
2150 STATE ROUTE 39 WEST
SUGARCREEK, OH 44681

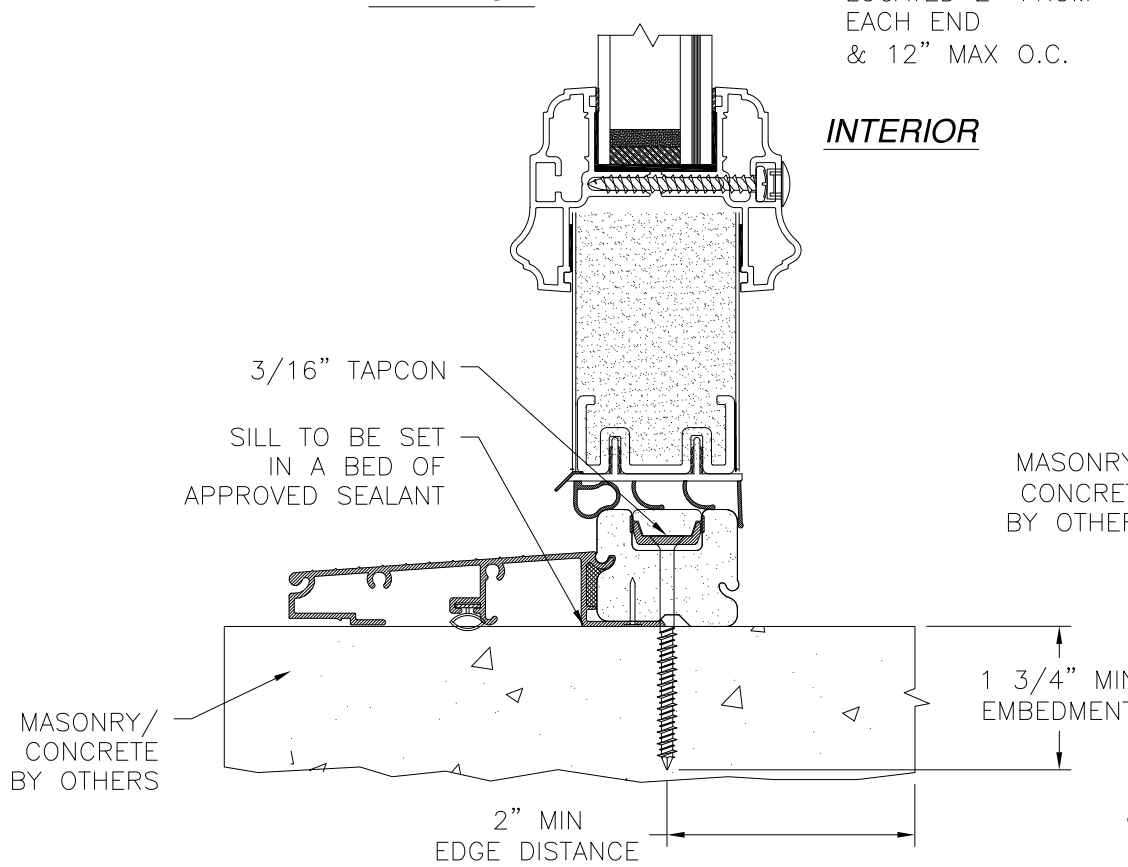
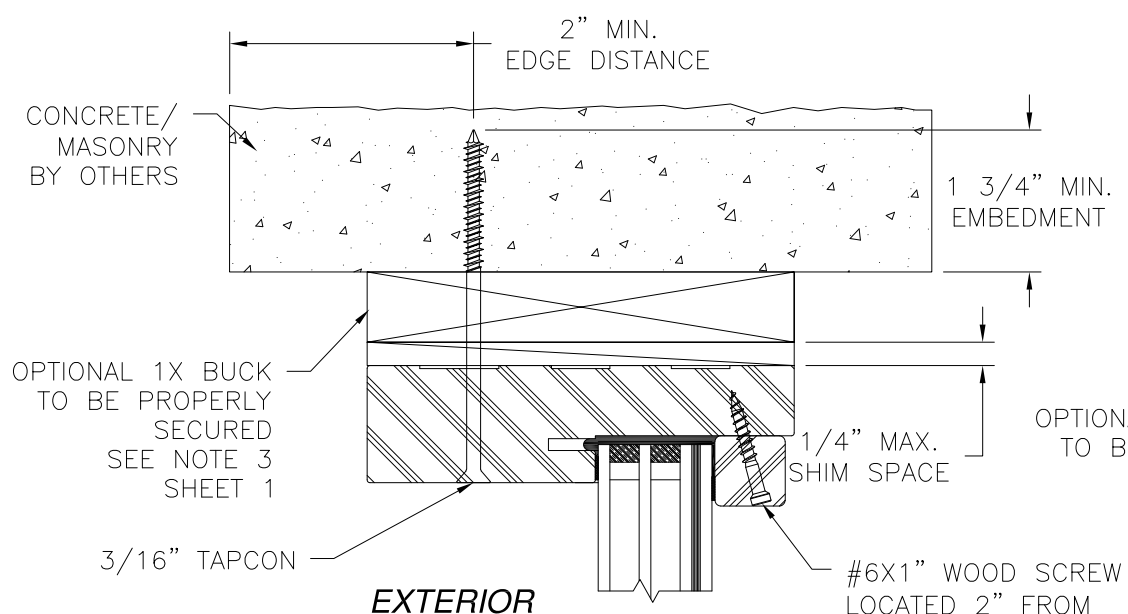
STEEL INSWING GLAZED SINGLE DOOR
W/SIDELITES & TRANSOM - IMPACT
INSTALLATION DETAILS

DRAWN: V.L.	DWG NO. 08-01965	REV G
SCALE NTS	DATE 04/22/13	SHEET 6 OF 14

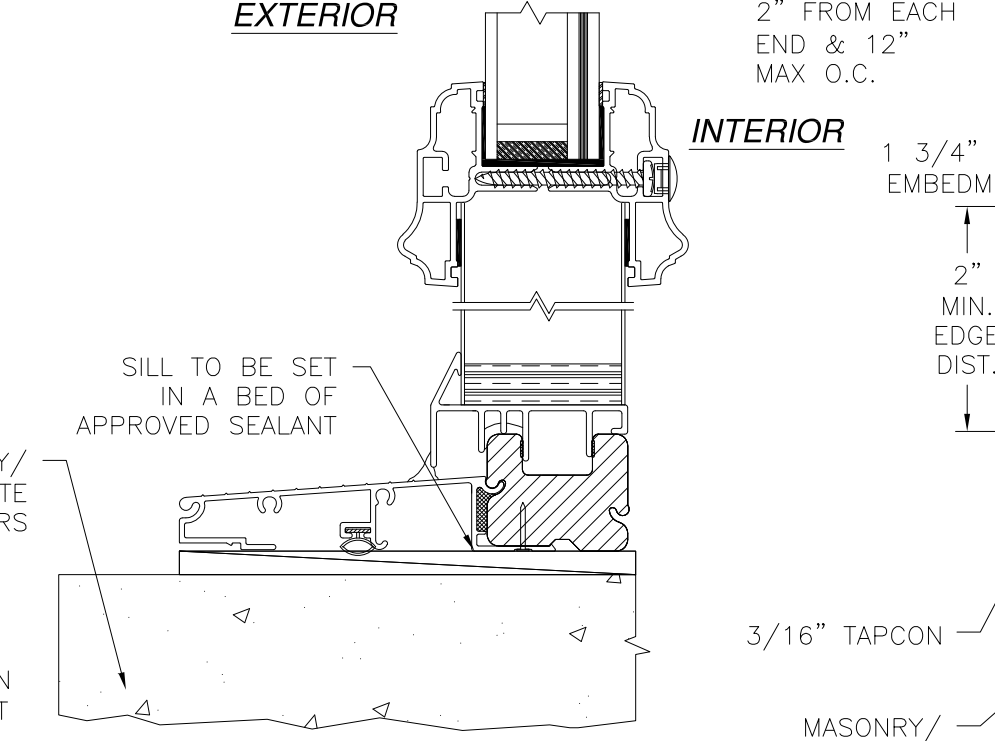
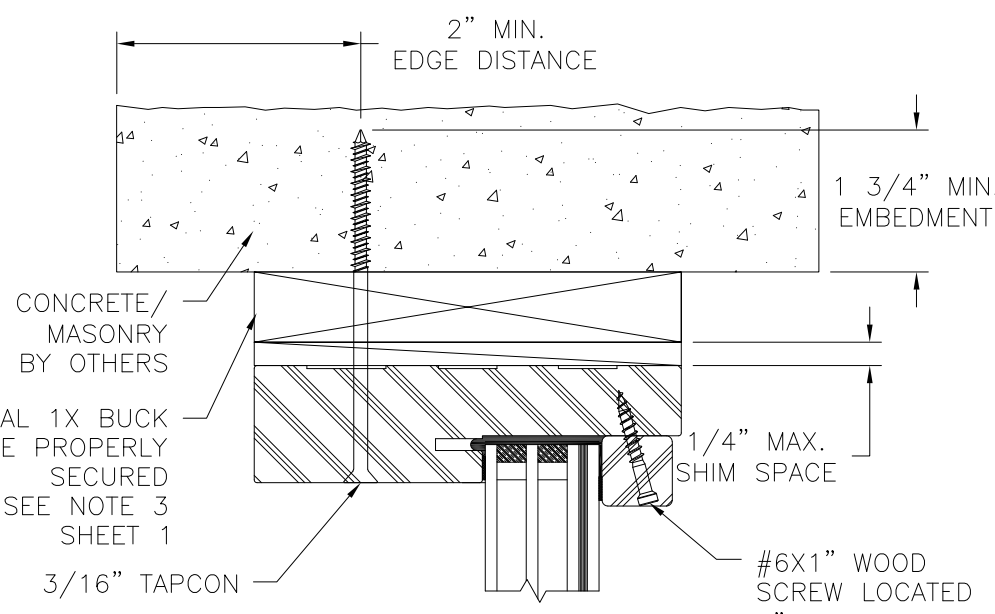
L. ROBERTO LOMAS P.E.
1432 WOODFORD RD LEWISVILLE, NC 27023
434-688-0609 rllomas@rlomaspe.com

PROFESSIONAL ENGINEER
L. R. LOMAS
No. 62514
STATE OF FLORIDA
Luis R. Lomas P.E.
FL No.: 62514

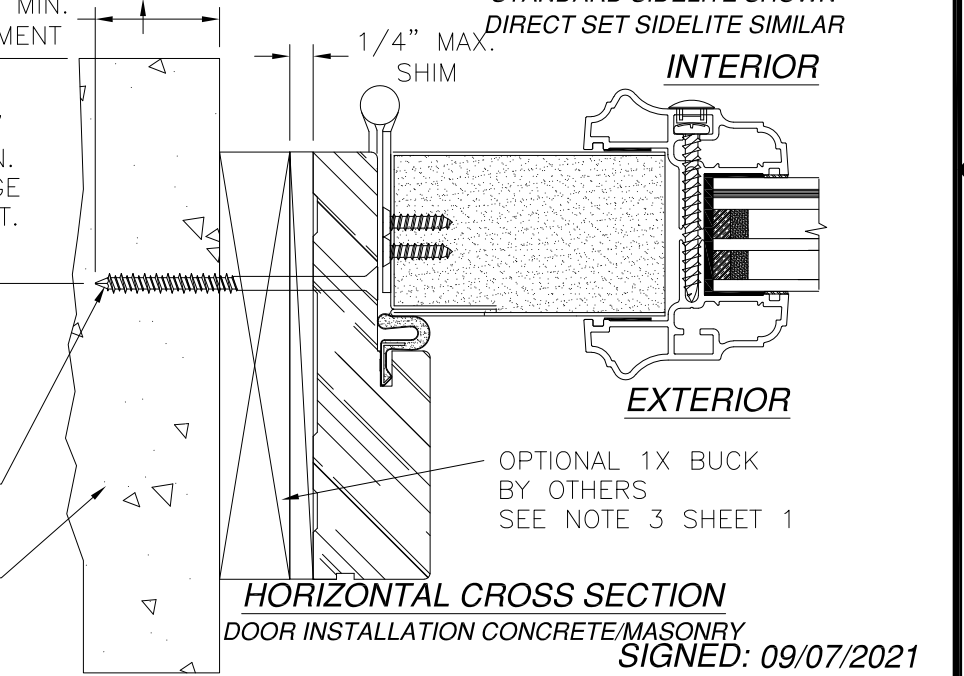
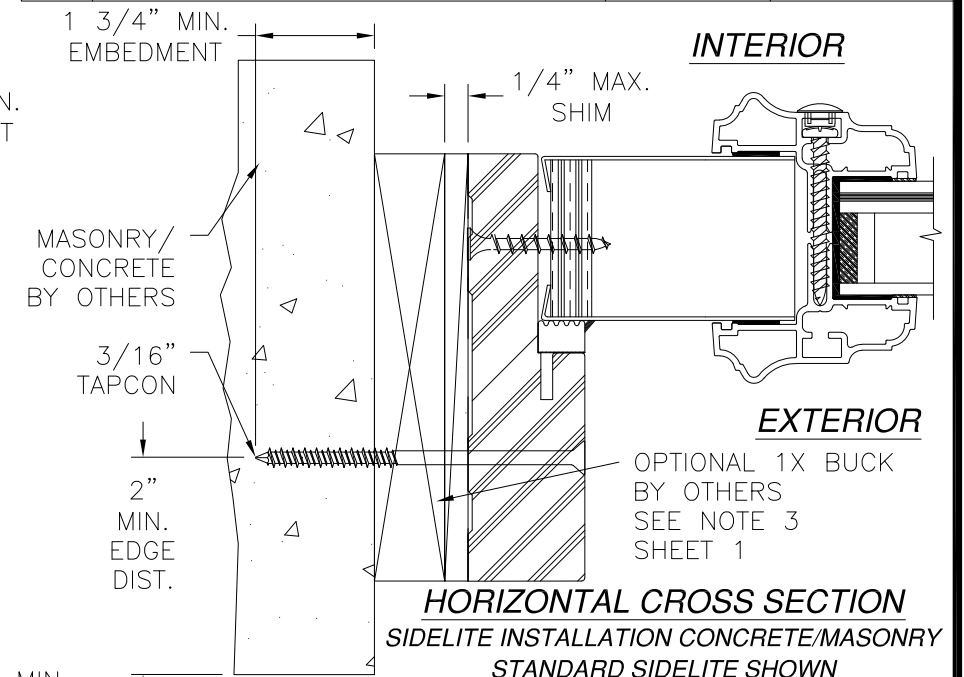
REVISIONS			
REV	DESCRIPTION	DATE	APPROVED
G	ADDED MULTILITE PANELS & TRIMS	08/12/2021	R.L.



VERTICAL CROSS SECTION
 DOOR AND TRANSOM INSTALLATION MASONRY/CONCRETE
 TRANSOM HEAD SHOWN
 TRANSOM JAMB SIMILAR



VERTICAL CROSS SECTION
 SIDELITE AND TRANSOM INSTALLATION MASONRY/CONCRETE
 STANDARD SIDELITE SHOWN
 DIRECT SET SIDELITE SIMILAR
 TRANSOM HEAD SHOWN
 TRANSOM JAMB SIMILAR



HORIZONTAL CROSS SECTION
 SIDELITE INSTALLATION CONCRETE/MASONRY
 STANDARD SIDELITE SHOWN
 DIRECT SET SIDELITE SIMILAR

HORIZONTAL CROSS SECTION
 DOOR INSTALLATION CONCRETE/MASONRY
 SIGNED: 09/07/2021

- NOTES:
1. INTERIOR AND EXTERIOR FINISHES, BY OTHERS, NOT SHOWN FOR CLARITY.
 2. PERIMETER AND JOINT SEALANT BY OTHERS TO BE DESIGNED IN ACCORDANCE WITH ASTM E2112

PROVIA, LLC.
 2150 STATE ROUTE 39 WEST
 SUGARCREEK, OH 44681

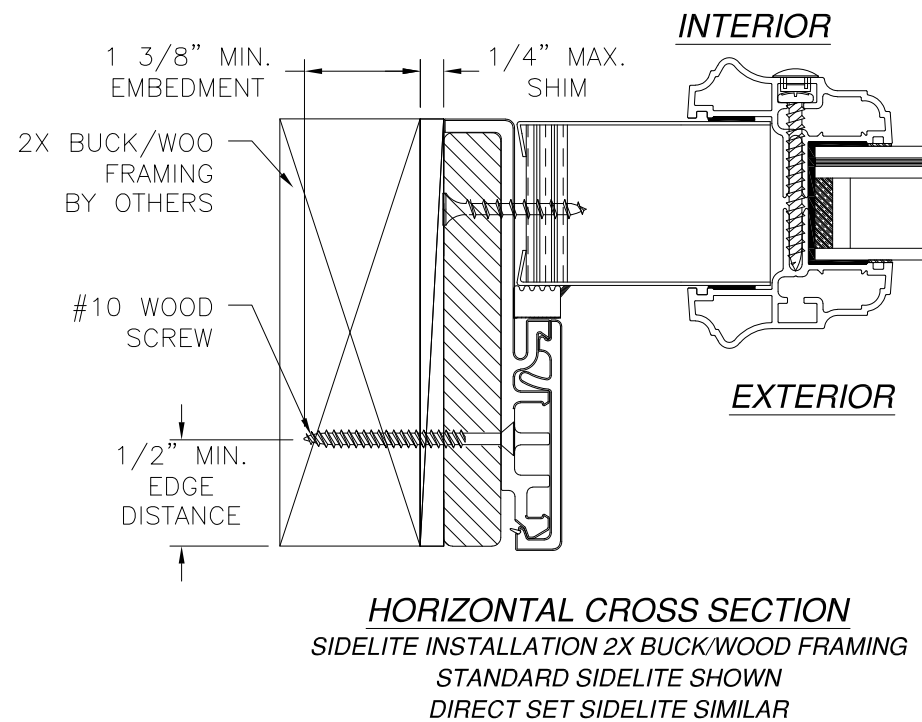
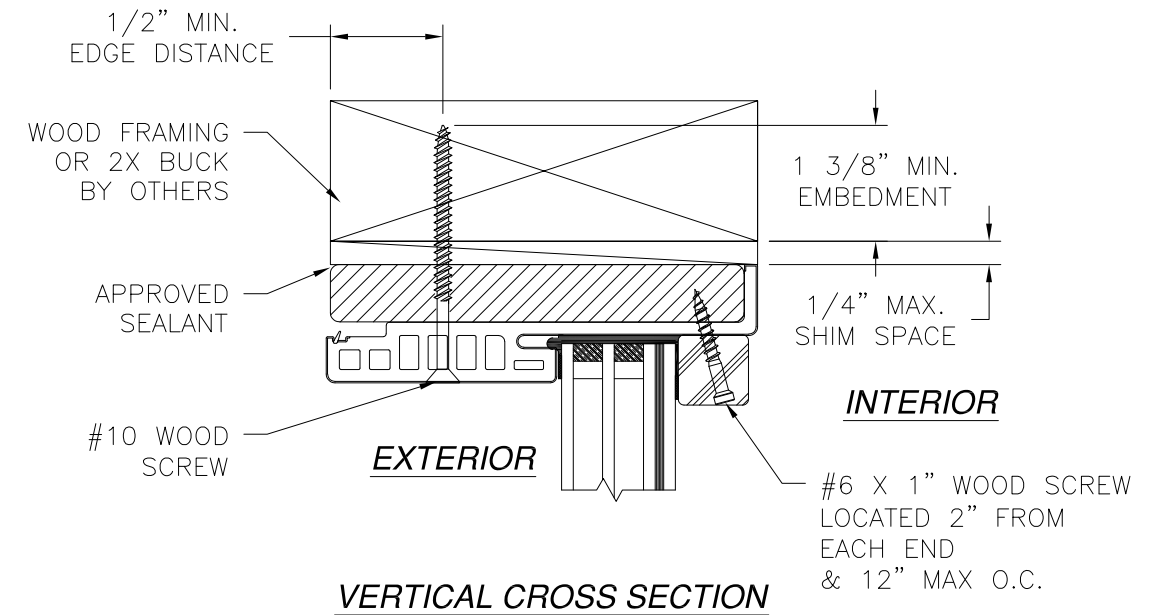
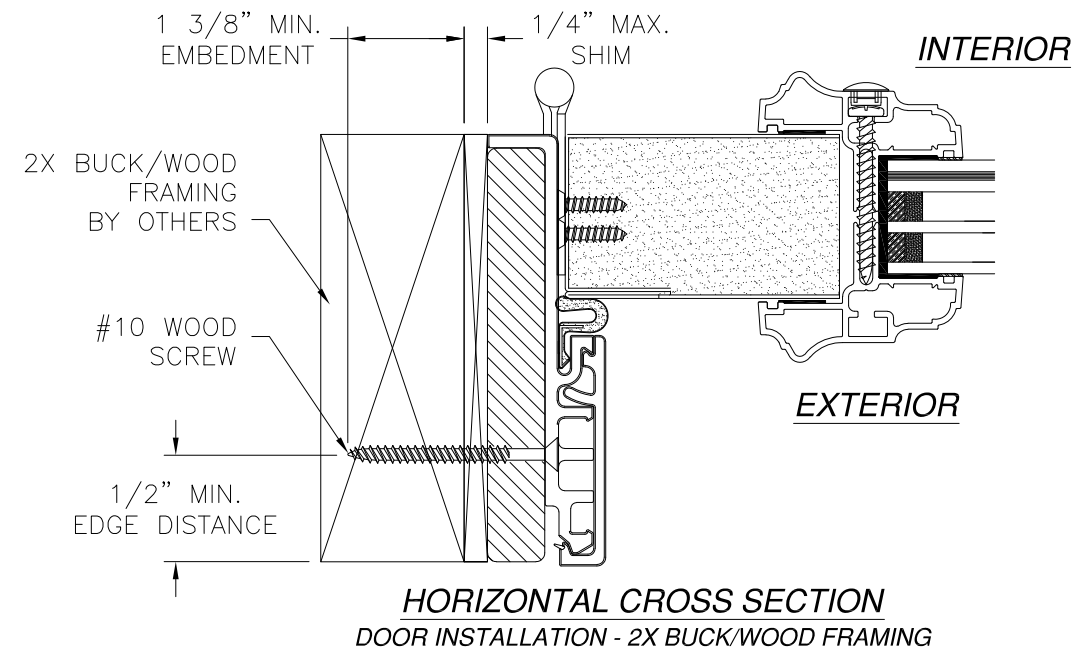
STEEL INSWING GLAZED SINGLE DOOR
 W/SIDELITES & TRANSOM - IMPACT
 INSTALLATION DETAILS

DRAWN: V.L.	DWG NO. 08-01965	REV G
SCALE NTS	DATE 04/22/13	SHEET 7 OF 14

L. ROBERTO LOMAS P.E.
 1432 WOODFORD RD LEWISVILLE, NC 27023
 434-688-0609 rllomas@rlomaspe.com

Luis R. Lomas P.E.
 FL No.: 62514

REVISIONS			
REV	DESCRIPTION	DATE	APPROVED
G	ADDED MULTILITE PANELS & TRIMS	08/12/2021	R.L.



- NOTES:
1. INTERIOR AND EXTERIOR FINISHES, BY OTHERS, NOT SHOWN FOR CLARITY.
 2. PERIMETER AND JOINT SEALANT BY OTHERS TO BE DESIGNED IN ACCORDANCE WITH ASTM E2112

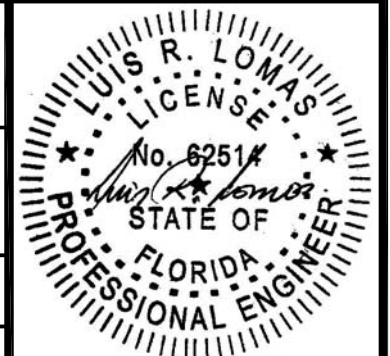
SIGNED: 09/07/2021

PROVIA, LLC.
2150 STATE ROUTE 39 WEST
SUGARCREEK, OH 44681

STEEL INSWING GLAZED SINGLE DOOR
W/SIDELITES & TRANSOM - IMPACT
INSTALLATION DETAILS W/FUSION FRAME

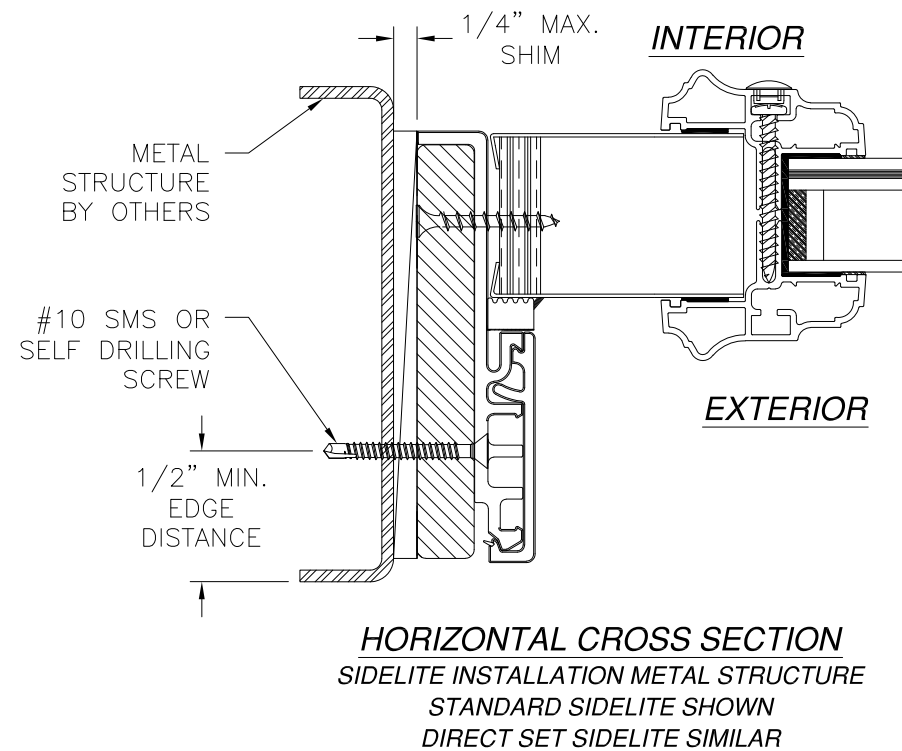
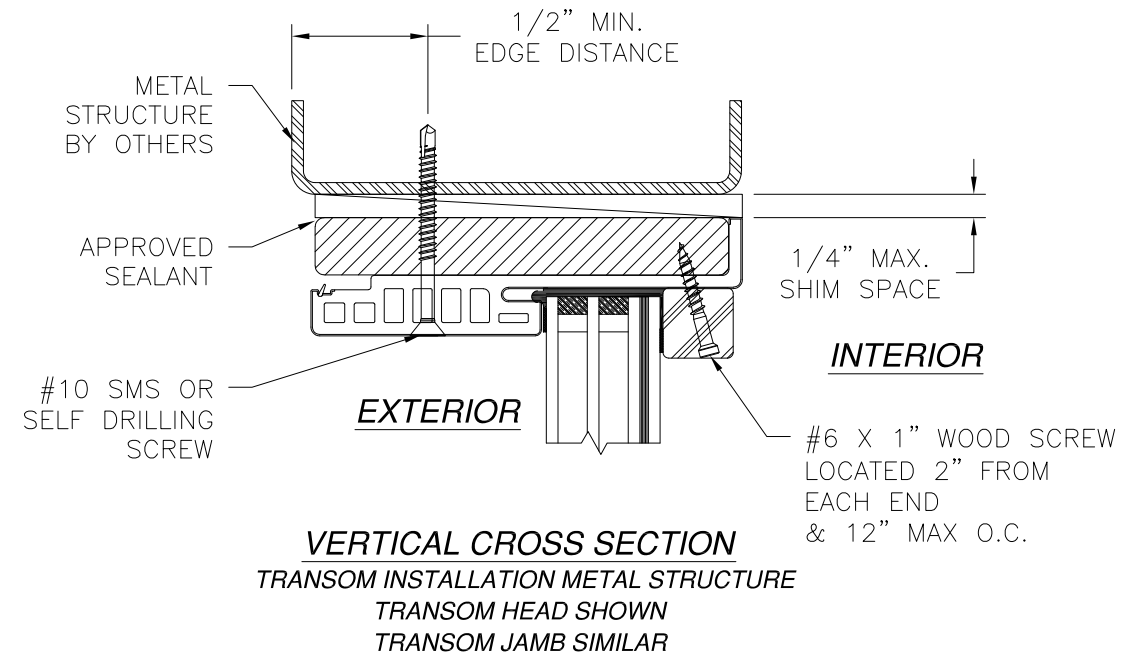
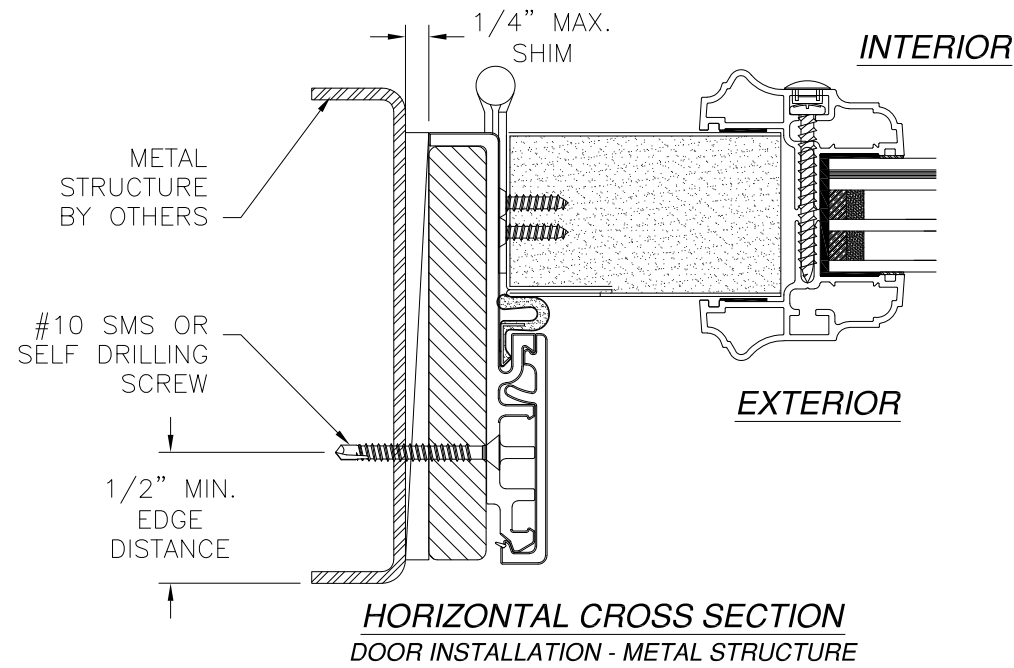
DRAWN: V.L.	DWG NO. 08-01965	REV G
SCALE NTS	DATE 04/22/13	SHEET 8 OF 14

L. ROBERTO LOMAS P.E.
1432 WOODFORD RD LEWISVILLE, NC 27023
434-688-0609 rllomas@rlomaspe.com



Luis R. Lomas P.E.
FL No.: 62514

REVISIONS			
REV	DESCRIPTION	DATE	APPROVED
G	ADDED MULTILITE PANELS & TRIMS	08/12/2021	R.L.



- NOTES:
1. INTERIOR AND EXTERIOR FINISHES, BY OTHERS, NOT SHOWN FOR CLARITY.
 2. PERIMETER AND JOINT SEALANT BY OTHERS TO BE DESIGNED IN ACCORDANCE WITH ASTM E2112

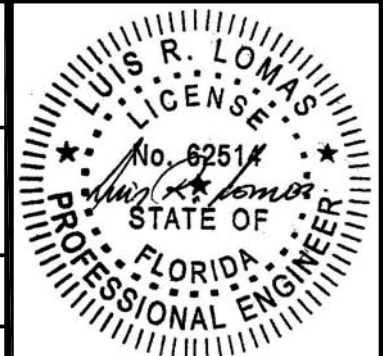
PROVIA, LLC.
2150 STATE ROUTE 39 WEST
SUGARCREEK, OH 44681

STEEL INSWING GLAZED SINGLE DOOR
W/SIDELITES & TRANSOM – IMPACT
INSTALLATION DETAILS W/FUSION FRAME

DRAWN: V.L.	DWG NO. 08-01965	REV G
SCALE NTS	DATE 04/22/13	SHEET 9 OF 14

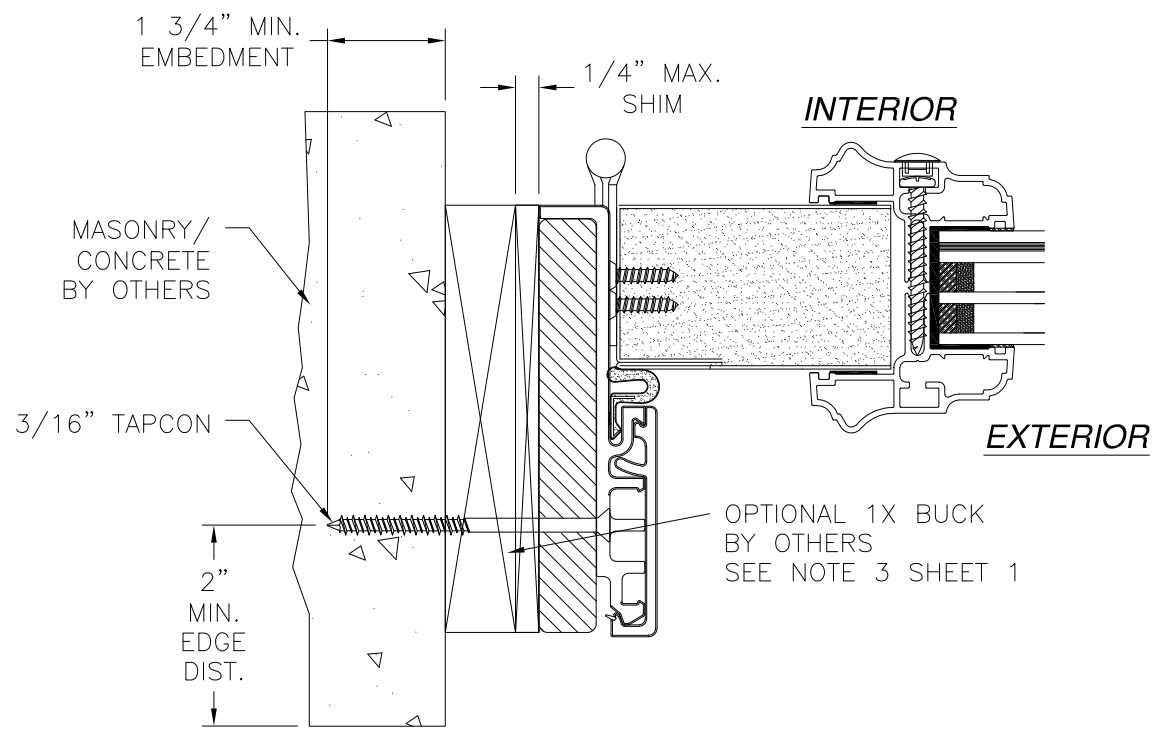
L. ROBERTO LOMAS P.E.
1432 WOODFORD RD LEWISVILLE, NC 27023
434-688-0609 rllomas@rlomaspe.com

SIGNED: 09/07/2021

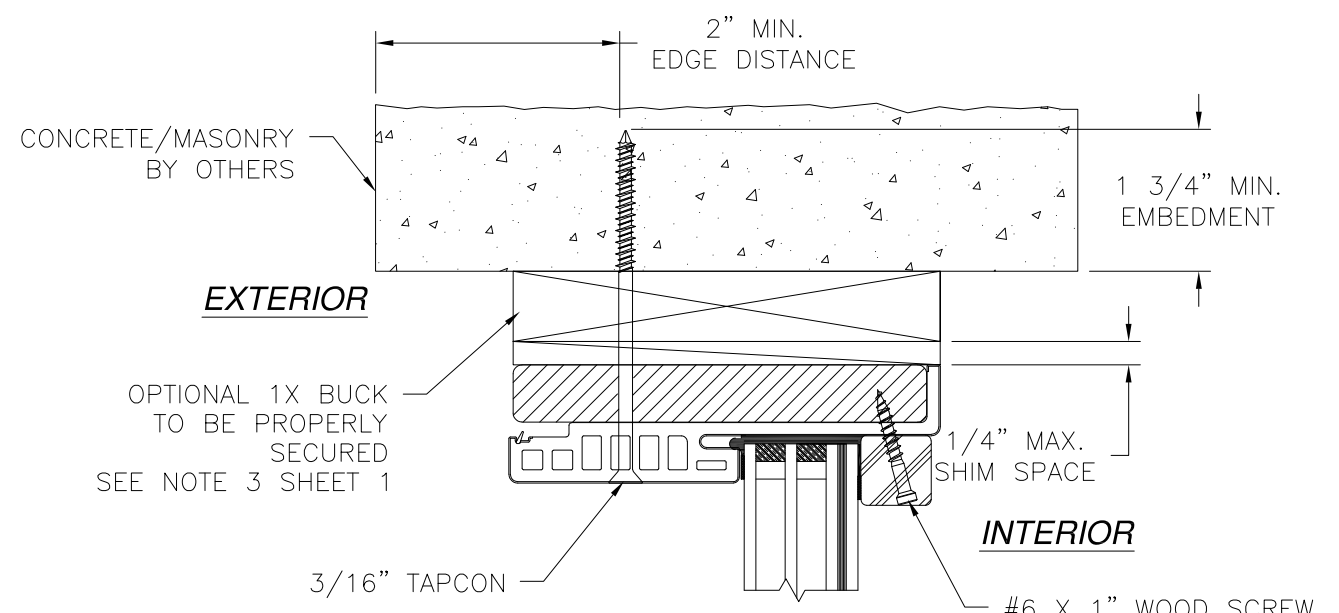


Luis R. Lomas P.E.
FL No.: 62514

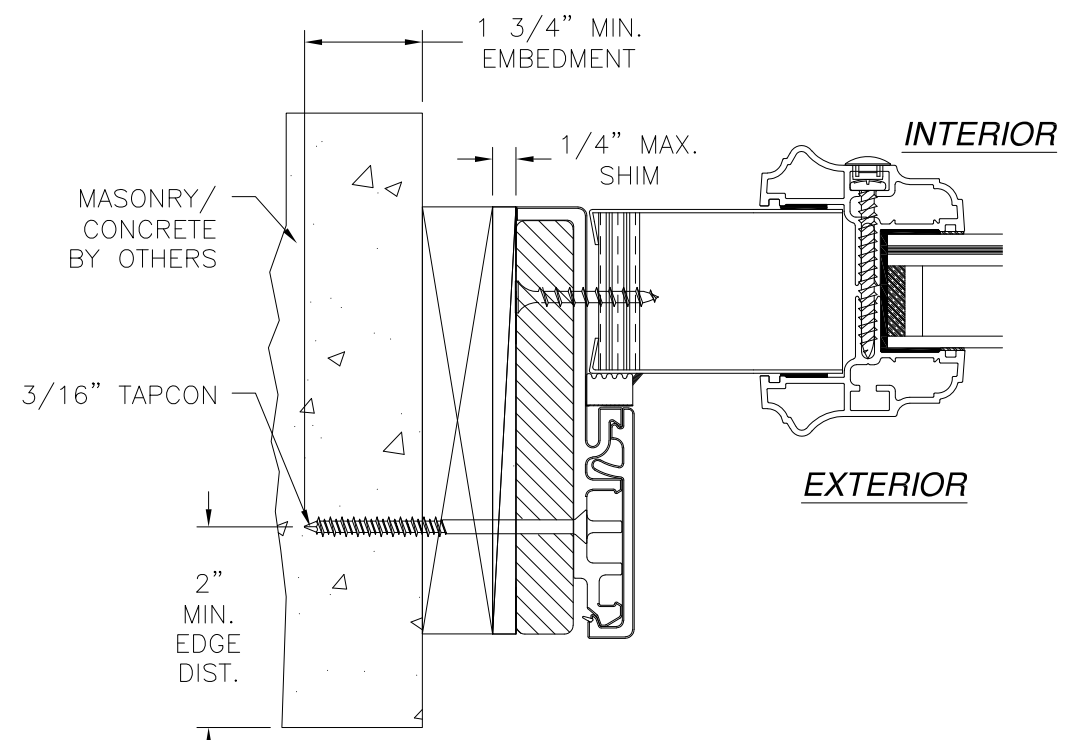
REVISIONS			
REV	DESCRIPTION	DATE	APPROVED
G	ADDED MULTILITE PANELS & TRIMS	08/12/2021	R.L.



HORIZONTAL CROSS SECTION
DOOR INSTALLATION - MASONRY/CONCRETE



VERTICAL CROSS SECTION
TRANSOM INSTALLATION MASONRY/CONCRETE
TRANSOM HEAD SHOWN
TRANSOM JAMB SIMILAR



HORIZONTAL CROSS SECTION
SIDELITE INSTALLATION MASONRY/CONCRETE
STANDARD SIDELITE SHOWN
DIRECT SET SIDELITE SIMILAR

- NOTES:**
1. INTERIOR AND EXTERIOR FINISHES, BY OTHERS, NOT SHOWN FOR CLARITY.
 2. PERIMETER AND JOINT SEALANT BY OTHERS TO BE DESIGNED IN ACCORDANCE WITH ASTM E2112

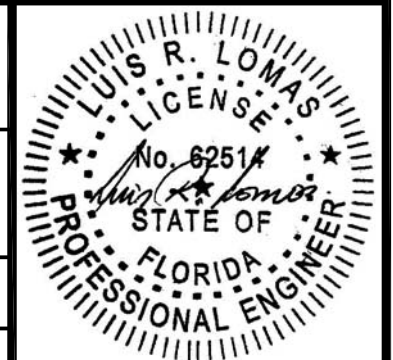
SIGNED: 09/07/2021

PROVIA, LLC.
2150 STATE ROUTE 39 WEST
SUGARCREEK, OH 44681

STEEL INSWING GLAZED SINGLE DOOR
W/SIDELITES & TRANSOM - IMPACT
INSTALLATION DETAILS W/FUSION FRAME

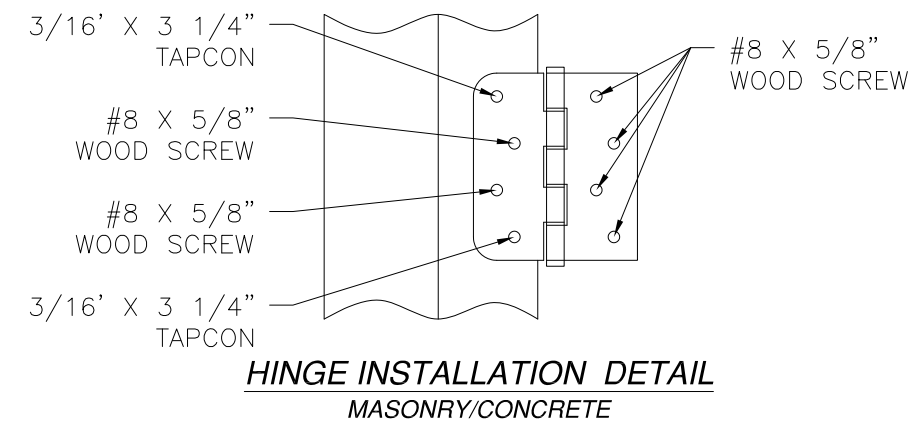
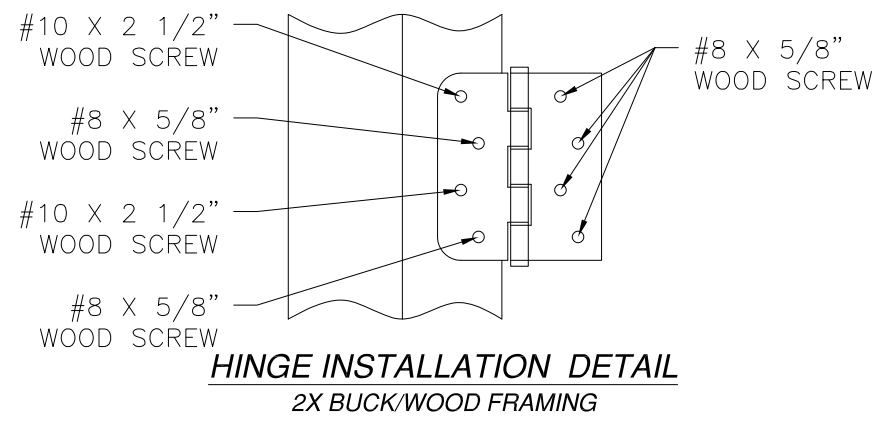
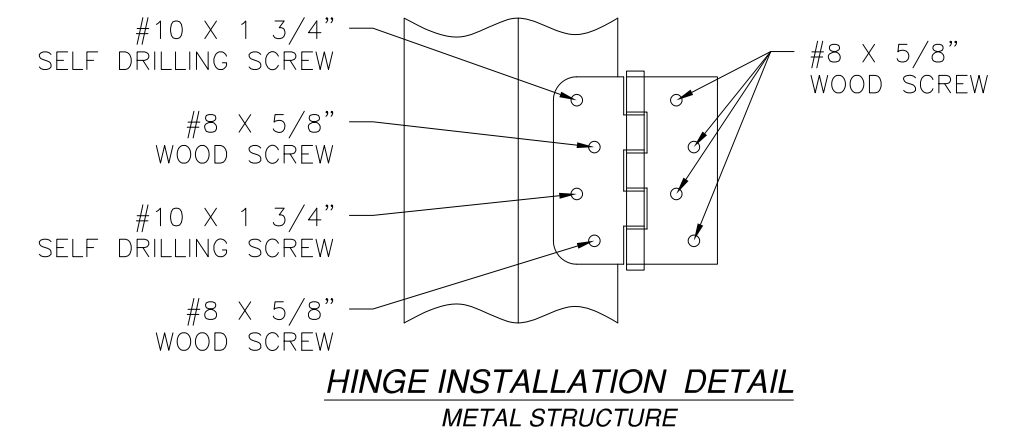
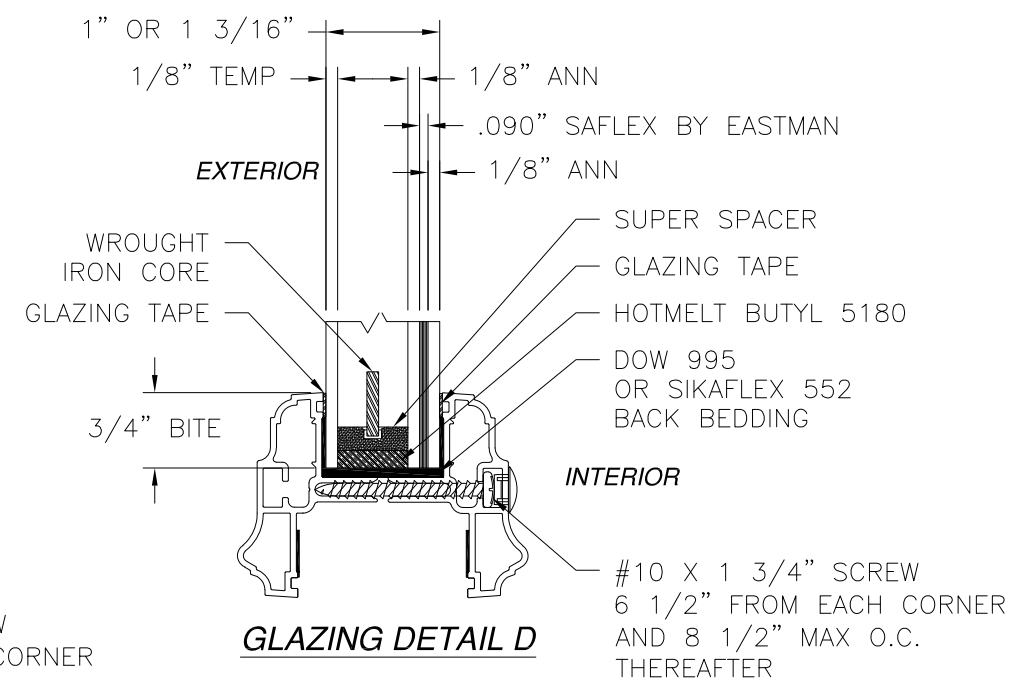
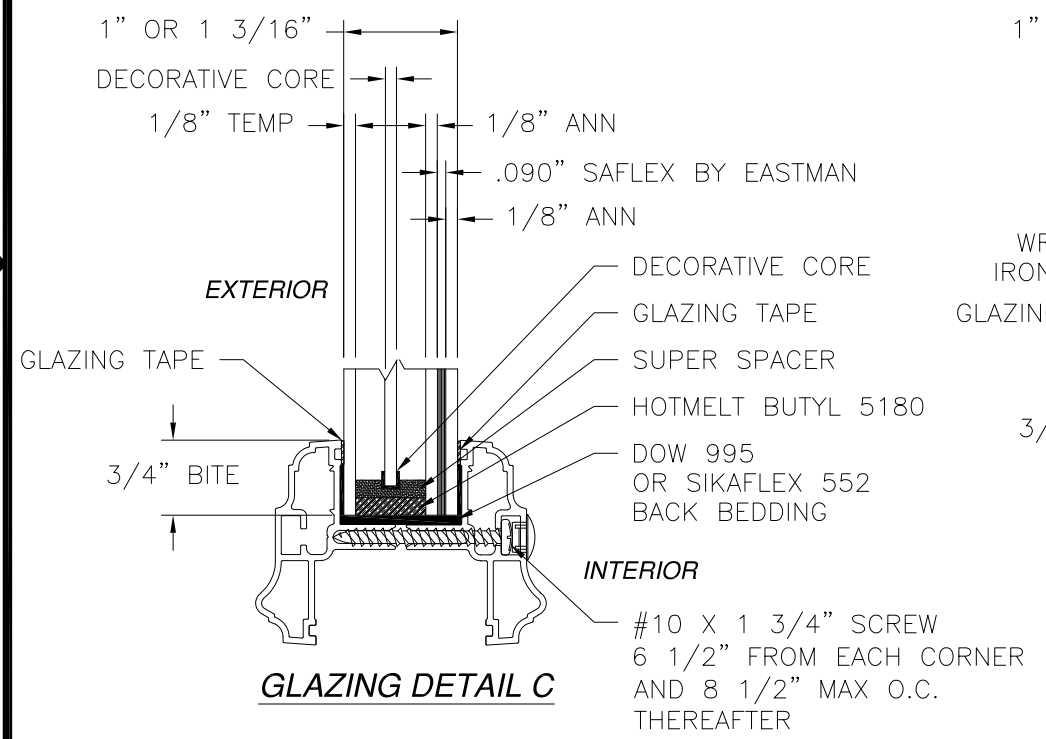
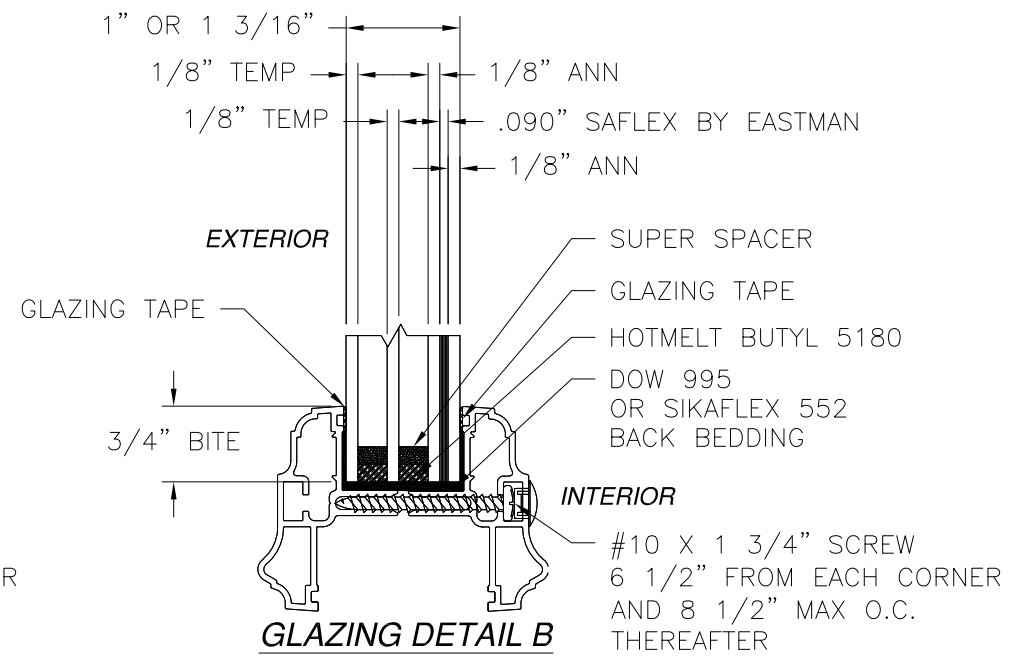
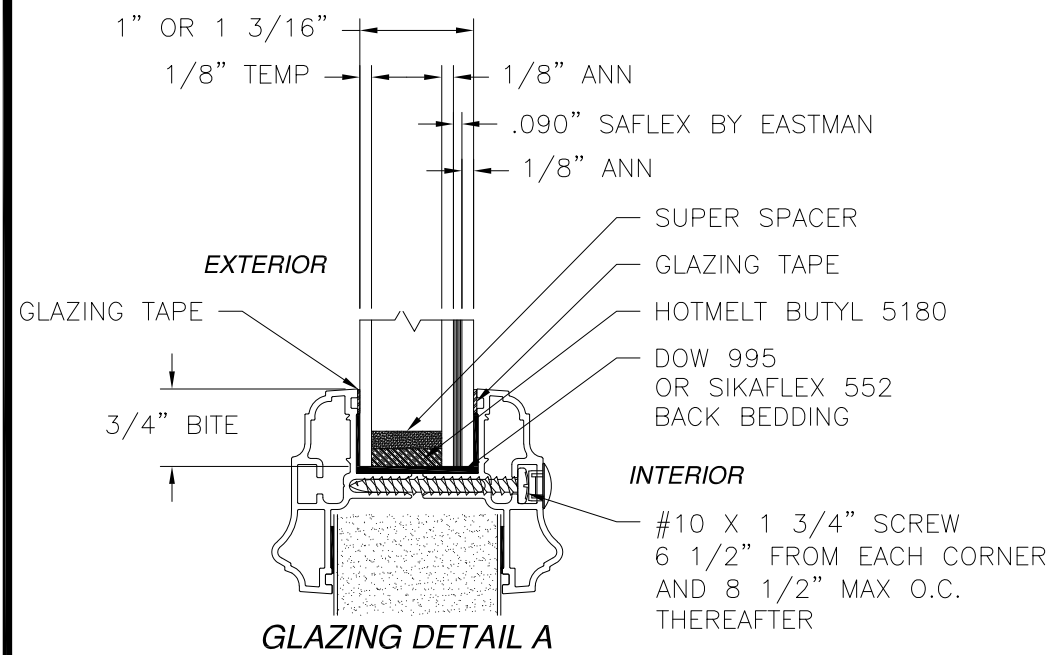
DRAWN: V.L.	DWG NO. 08-01965	REV G
SCALE NTS	DATE 04/22/13	SHEET 10 OF 14

L. ROBERTO LOMAS P.E.
1432 WOODFORD RD LEWISVILLE, NC 27023
434-688-0609 rllomas@rlomaspe.com



Luis R. Lomas P.E.
FL No.: 62514

REVISIONS			
REV	DESCRIPTION	DATE	APPROVED
G	ADDED MULTILITE PANELS & TRIMS	08/12/2021	R.L.



SIGNED: 09/07/2021

PROVIA, LLC.
2150 STATE ROUTE 39 WEST
SUGARCREEK, OH 44681

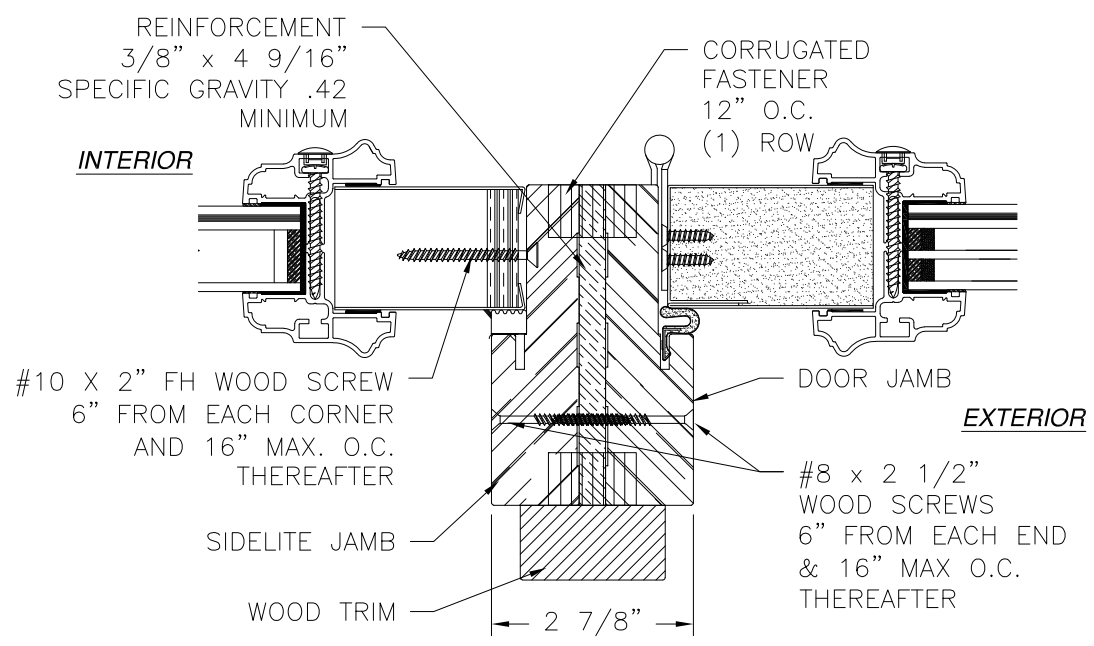
STEEL INSWING GLAZED SINGLE DOOR
W/SIDELITES & TRANSOM - IMPACT
GLAZING AND HINGES DETAILS

DRAWN: V.L.	DWG NO. 08-01965	REV G
SCALE NTS	DATE 04/22/13	SHEET 11 OF 14

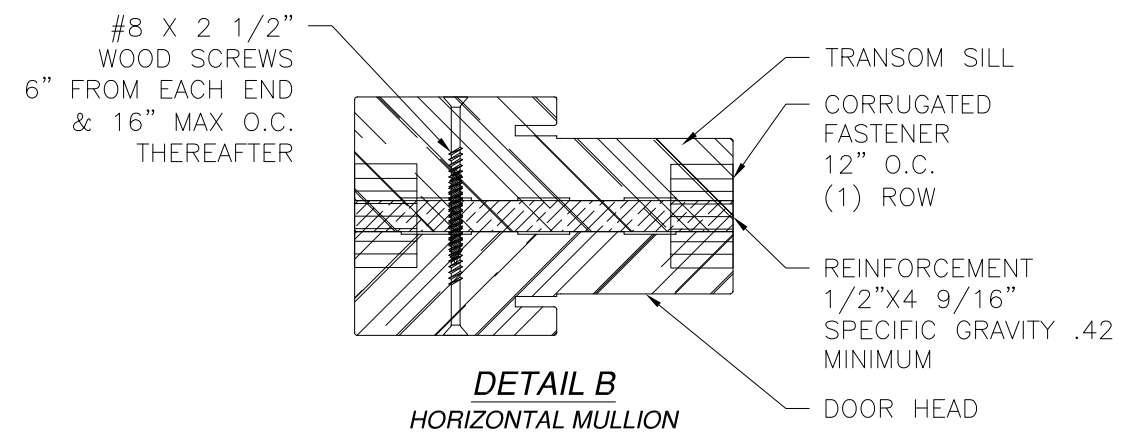
L. ROBERTO LOMAS P.E.
1432 WOODFORD RD LEWISVILLE, NC 27023
434-688-0609 rllomas@lrlomaspe.com

Luis R. Lomas P.E.
FL No.: 62514

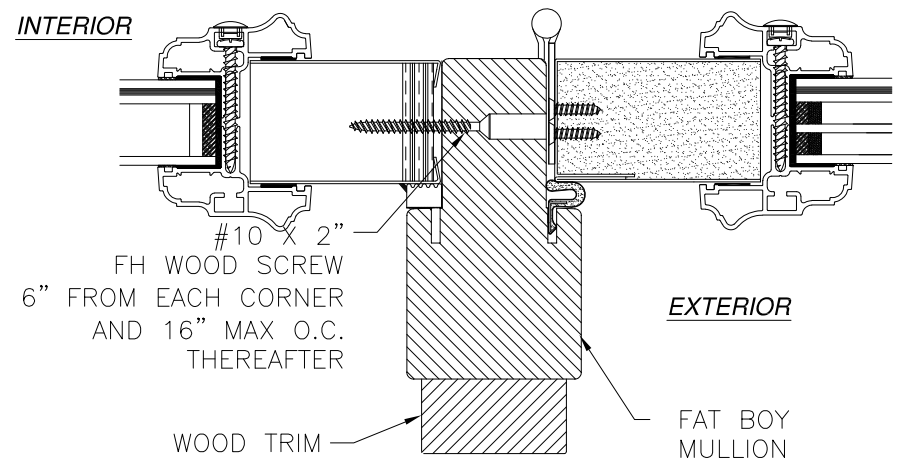
REVISIONS			
REV	DESCRIPTION	DATE	APPROVED
G	ADDED MULTILITE PANELS & TRIMS	08/12/2021	R.L.



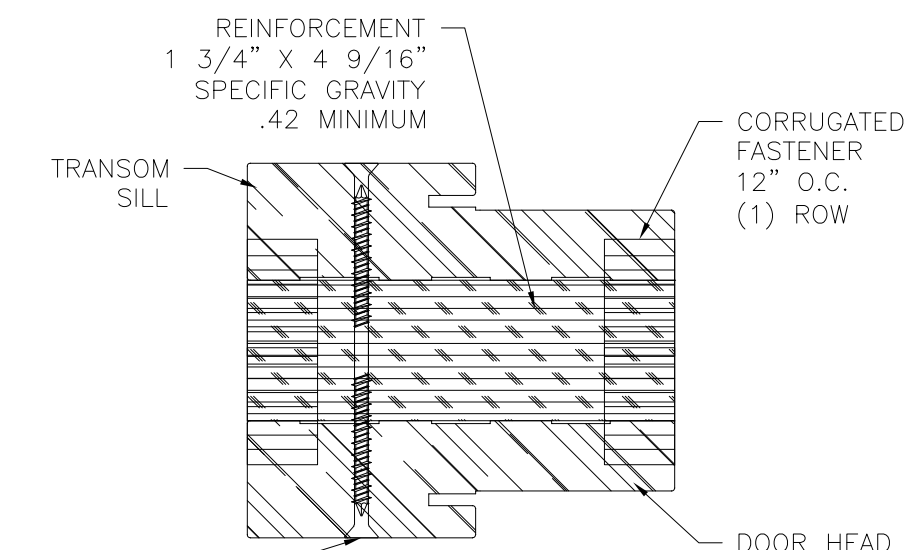
DETAIL A
VERTICAL MULLION
STANDARD FRAME SHOWN,
COMPOSITE AND FUSION FRAME SIMILAR



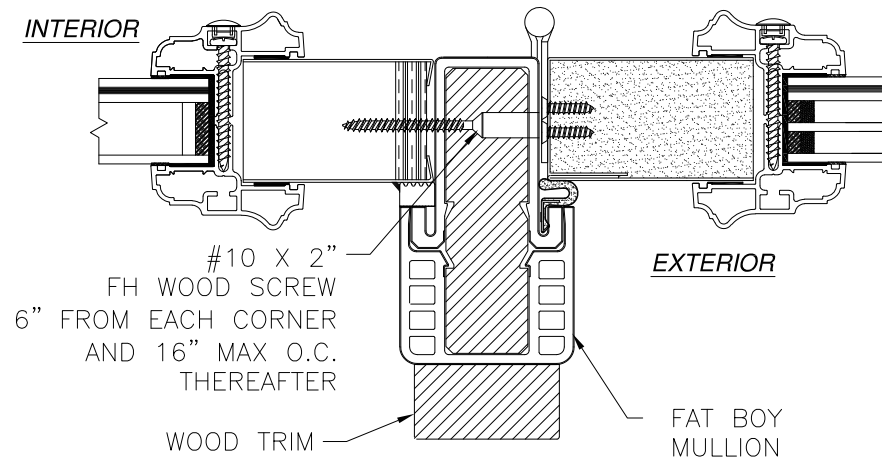
DETAIL B
HORIZONTAL MULLION
STANDARD FRAME SHOWN,
COMPOSITE AND FUSION FRAME SIMILAR



DETAIL C
WITH FAT BOY MULLION



DETAIL D
HORIZONTAL MULLION
STANDARD FRAME SHOWN,
COMPOSITE AND FUSION FRAME SIMILAR



DETAIL C
WITH HYBRID FAT BOY MULLION

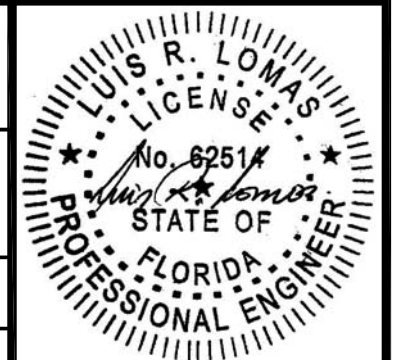
SIGNED: 09/07/2021

PROVIA, LLC.
2150 STATE ROUTE 39 WEST
SUGARCREEK, OH 44681

STEEL INSWING GLAZED SINGLE DOOR
W/SIDELITES & TRANSOM - IMPACT
MULLION DETAILS

DRAWN: V.L.	DWG NO. 08-01965	REV G
SCALE NTS	DATE 04/22/13	SHEET 12 OF 14

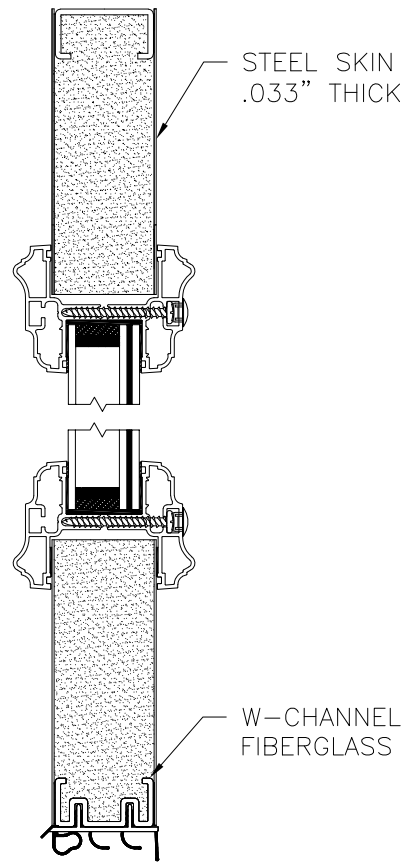
L. ROBERTO LOMAS P.E.
1432 WOODFORD RD LEWISVILLE, NC 27023
434-688-0609 rllomas@rlomaspe.com



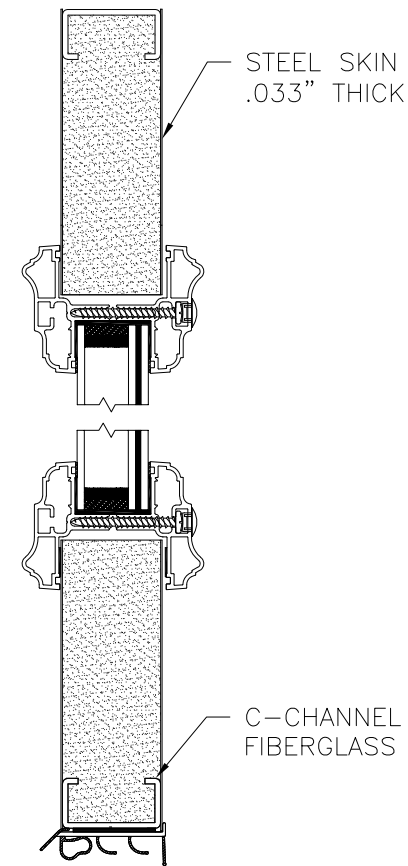
Luis R. Lomas P.E.
FL No.: 62514

APPROVED SLABS AND TRIMS

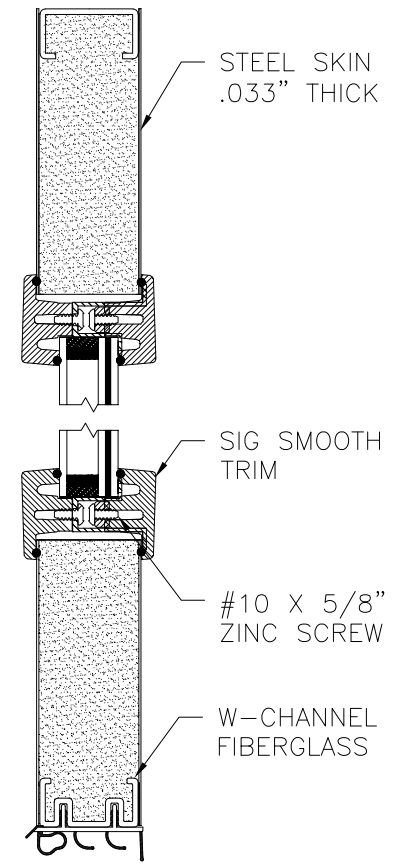
REVISIONS			
REV	DESCRIPTION	DATE	APPROVED
G	ADDED MULTILITE PANELS & TRIMS	08/12/2021	R.L.



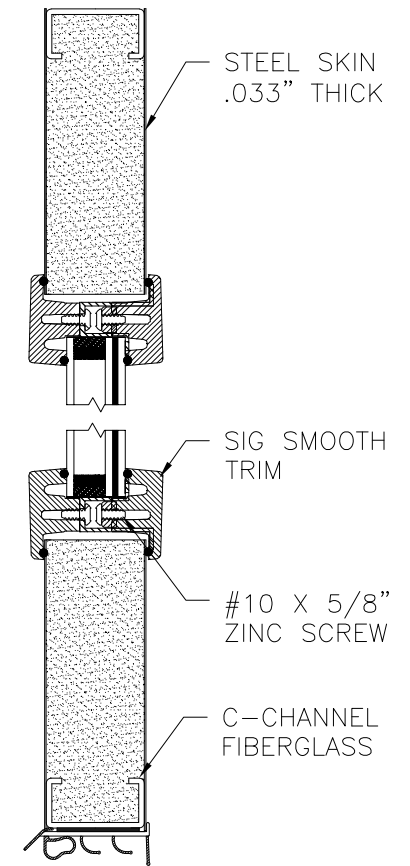
PANEL OPTION 1



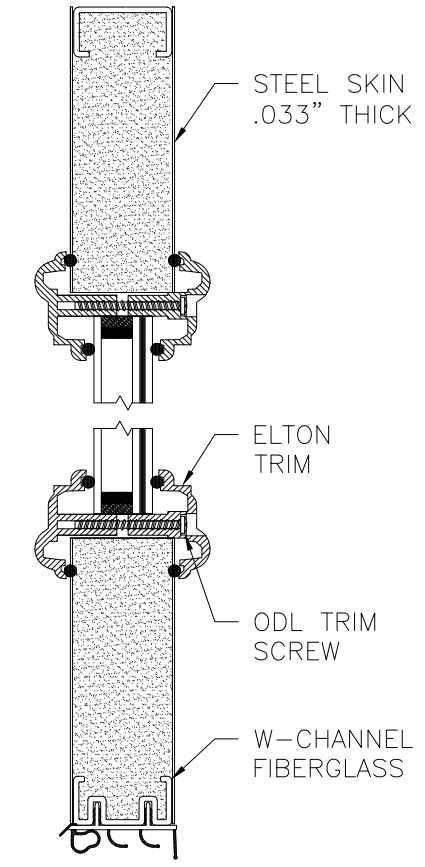
PANEL OPTION 2



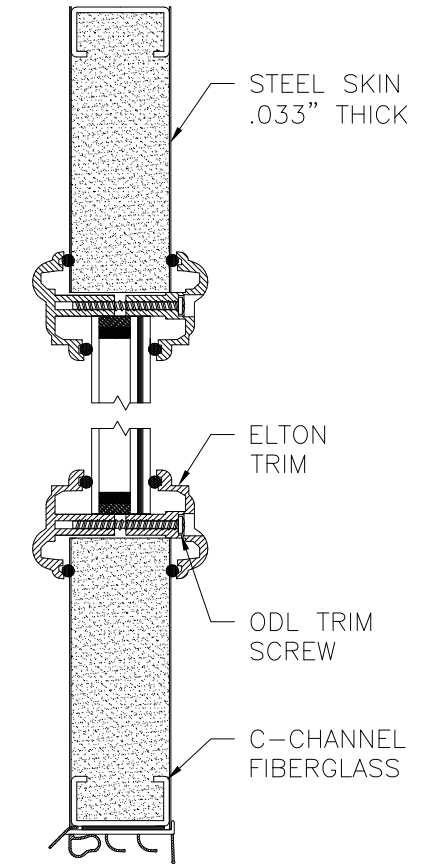
PANEL OPTION 3



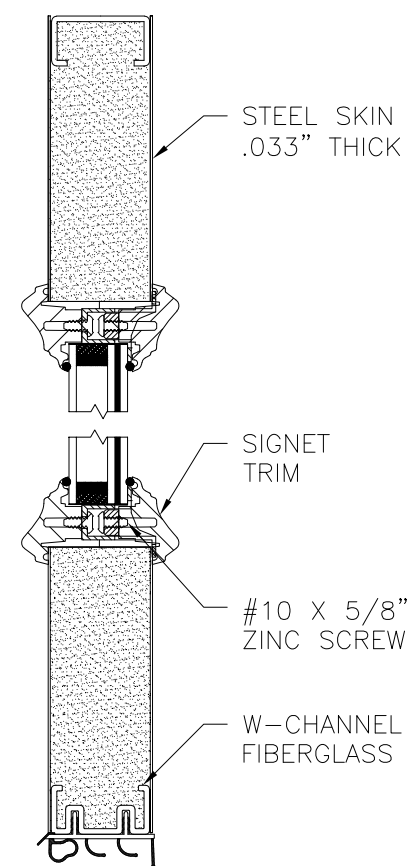
PANEL OPTION 4



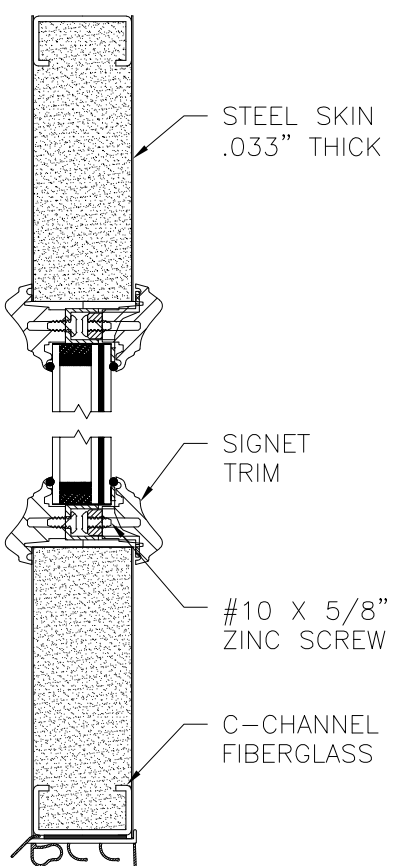
PANEL OPTION 9



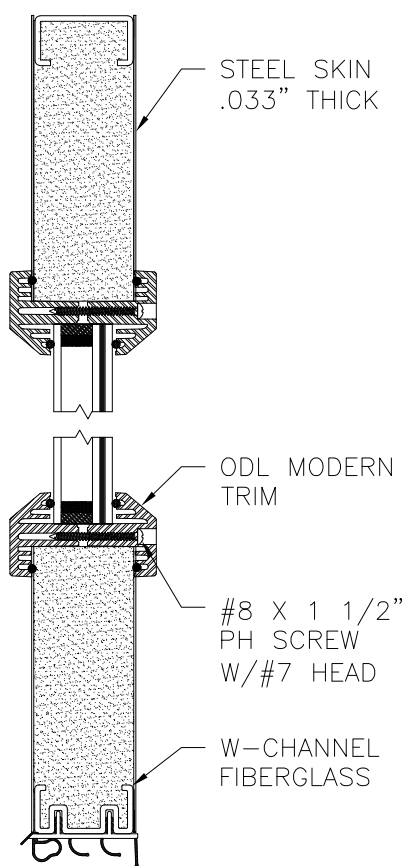
PANEL OPTION 10



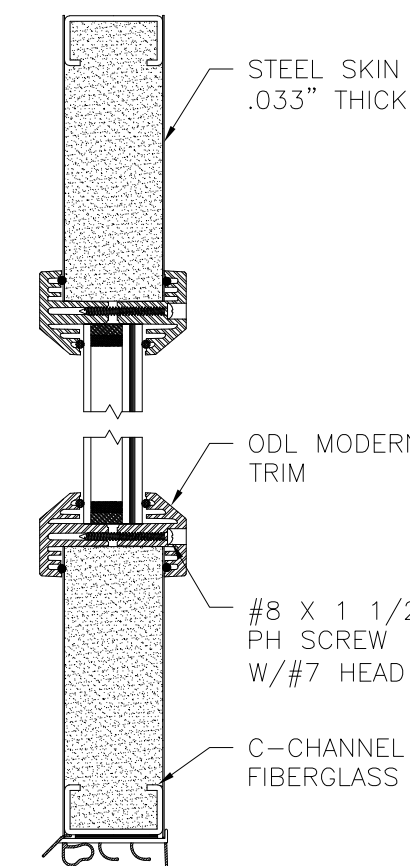
PANEL OPTION 5



PANEL OPTION 6



PANEL OPTION 7



PANEL OPTION 8

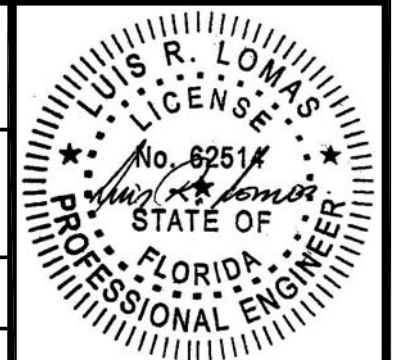
PROVIA, LLC.
 2150 STATE ROUTE 39 WEST
 SUGARCREEK, OH 44681

STEEL INSWING GLAZED SINGLE DOOR
 W/SIDELITES & TRANSOM - IMPACT
 APPROVED SLABS

DRAWN: V.L.	DWG NO. 08-01965	REV G
SCALE NTS	DATE 04/22/13	SHEET 13 OF 14

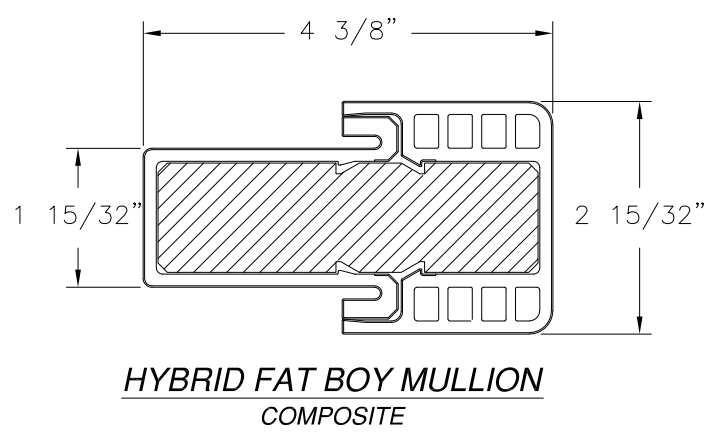
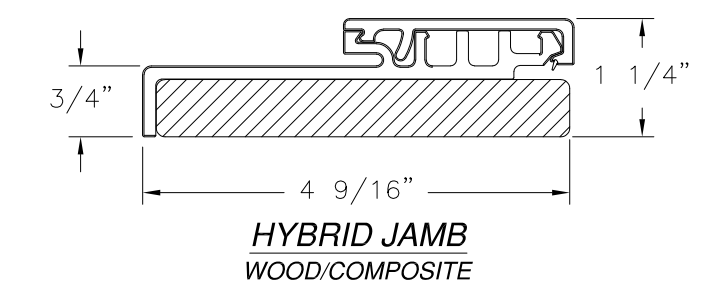
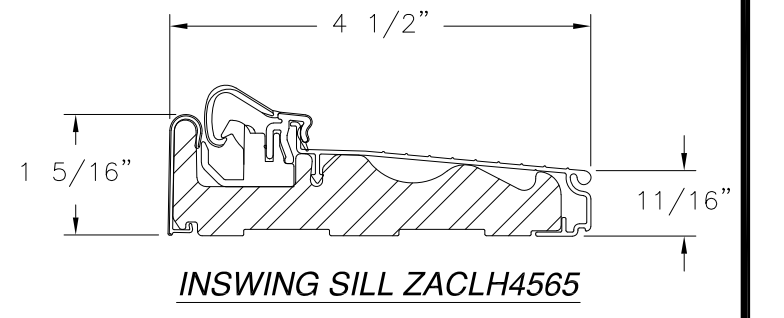
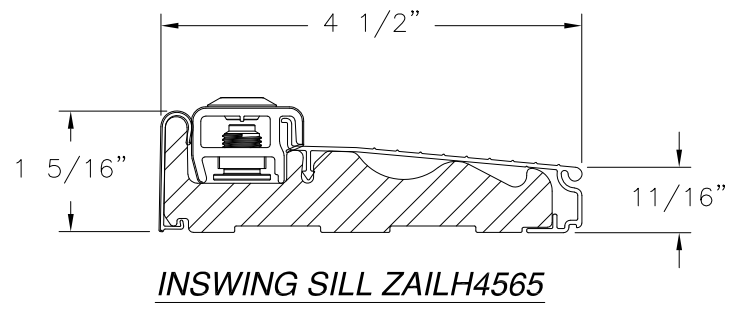
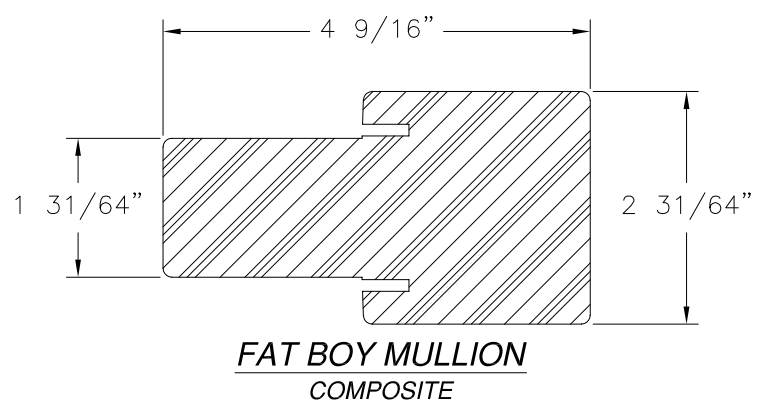
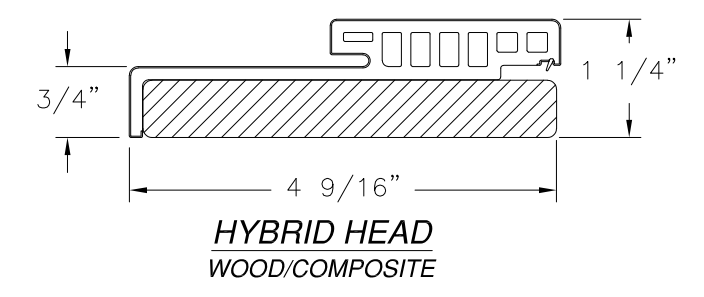
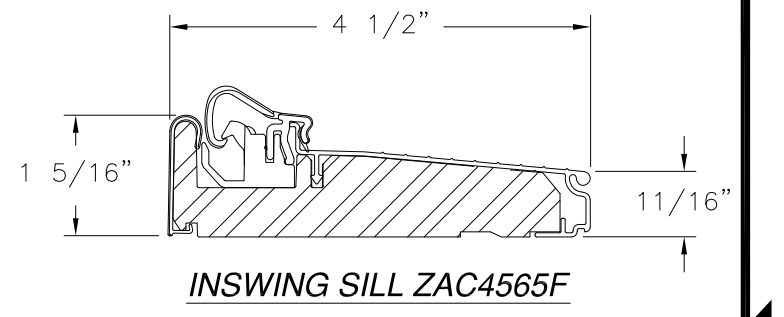
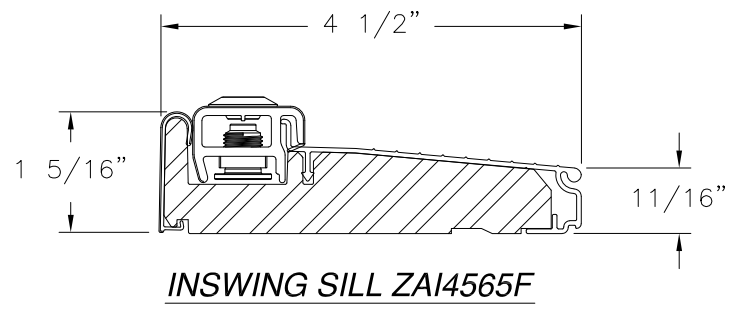
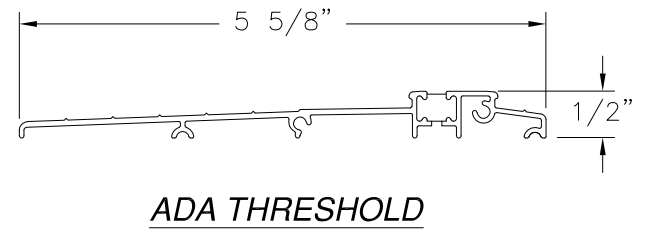
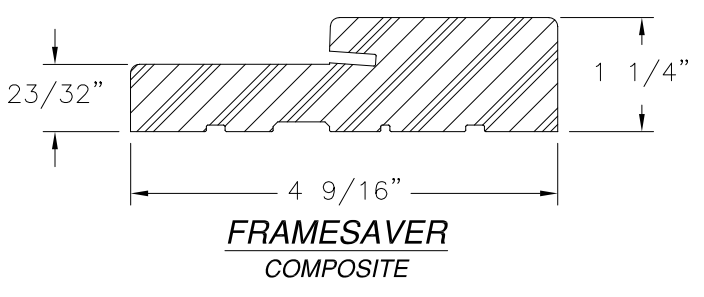
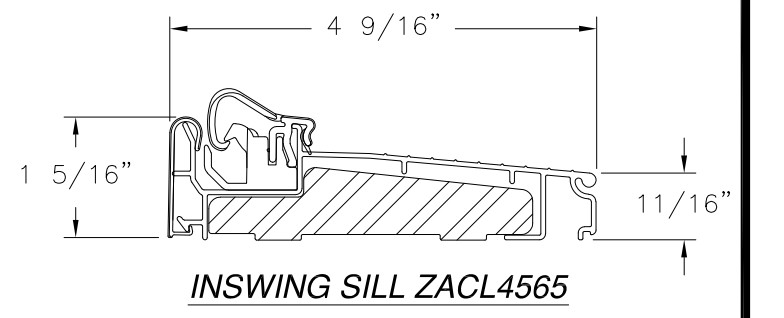
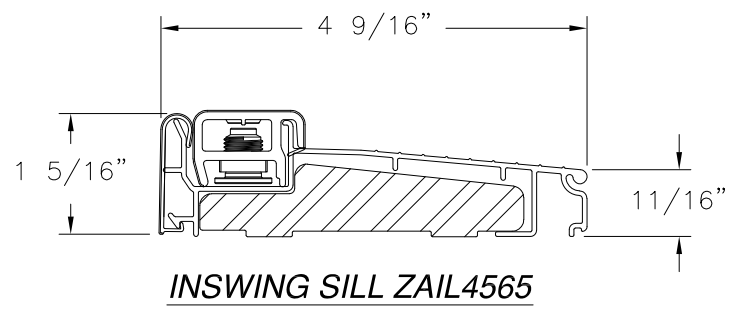
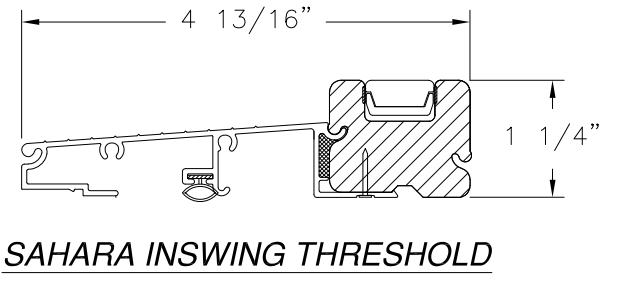
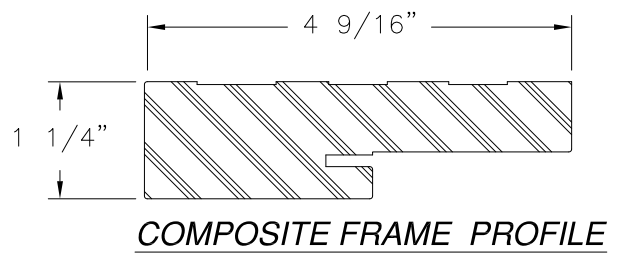
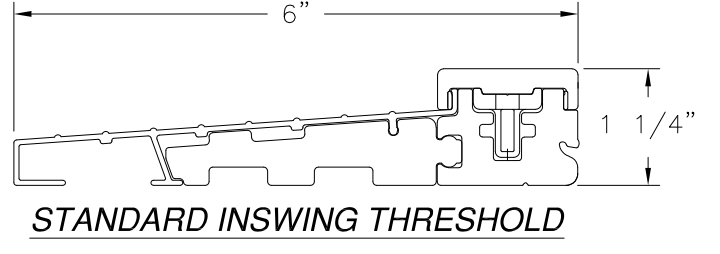
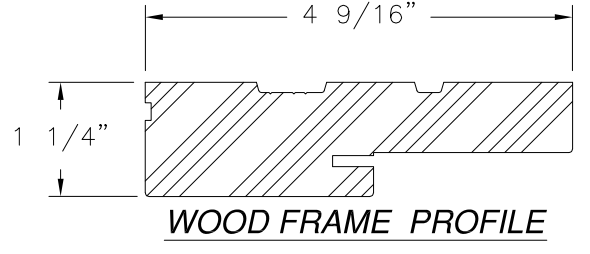
L. ROBERTO LOMAS P.E.
 1432 WOODFORD RD LEWISVILLE, NC 27023
 434-688-0609 rllomas@lrlomaspe.com

SIGNED: 09/07/2021



Luis R. Lomas P.E.
 FL No.: 62514

REVISIONS			
REV	DESCRIPTION	DATE	APPROVED
G	ADDED MULTILITE PANELS & TRIMS	08/12/2021	R.L.



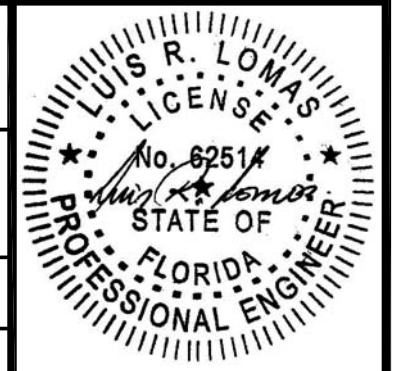
SIGNED: 09/07/2021

PROVIA, LLC.
 2150 STATE ROUTE 39 WEST
 SUGARCREEK, OH 44681

STEEL INSWING GLAZED SINGLE DOOR
 W/SIDELITES & TRANSOM - IMPACT
 COMPONENTS

DRAWN: V.L.	DWG NO. 08-01965	REV G
SCALE NTS	DATE 04/22/13	SHEET 14 OF 14

L. ROBERTO LOMAS P.E.
 1432 WOODFORD RD LEWISVILLE, NC 27023
 434-688-0609 rllomas@rlomaspe.com



Luis R. Lomas P.E.
 FL No.: 62514