

REVISIONS			
REV	DESCRIPTION	DATE	APPROVED
H	ADDED MULTILITE PANELS & TRIMS	08/12/2021	R.L.

NOTES:

1. THE PRODUCT SHOWN HEREIN IS DESIGNED AND MANUFACTURED TO COMPLY WITH REQUIREMENTS OF THE FLORIDA BUILDING CODE.
2. WOOD FRAMING, METAL STRUCTURE AND MASONRY OPENING TO BE DESIGNED AND ANCHORED TO PROPERLY TRANSFER ALL LOADS TO STRUCTURE. FRAMING AND MASONRY OPENING IS THE RESPONSIBILITY OF THE ARCHITECT OR ENGINEER OF RECORD.
3. 1X BUCK OVER MASONRY/CONCRETE IS OPTIONAL. WHERE 1X BUCK IS NOT USED DISSIMILAR MATERIALS MUST BE SEPARATED WITH APPROVED COATING OR MEMBRANE. SELECTION OF COATING OR MEMBRANE IS THE RESPONSIBILITY OF THE ARCHITECT OR ENGINEER OF RECORD.
4. ALLOWABLE STRESS INCREASE OF 1/3 WAS NOT USED IN THE DESIGN OF THE PRODUCT SHOWN HEREIN. WIND LOAD DURATION FACTOR Cd=1.6 WAS USED FOR WOOD ANCHOR CALCULATIONS.
5. FRAME MATERIAL: WOOD WITH G=.46 MINIMUM SPECIFIC GRAVITY, OR COMPOSITE, OR FRAMESAVER, OR FUSION FRAME.  
DOOR SKIN MATERIAL: STEEL .033" THICK (MINIMUM)  
SIDELITE SKIN MATERIAL: STEEL .022" THICK (MINIMUM)
6. UNITS MUST BE GLAZED PER ASTM E1300, SEE SHEET 12 FOR GLASS DETAILS.
7. APPROVED IMPACT PROTECTIVE SYSTEM IS NOT REQUIRED FOR THIS PRODUCT IN WIND BORNE DEBRIS REGIONS UP TO WIND ZONE 3.
8. SHIM AS REQUIRED AT EACH INSTALLATION ANCHOR WITH LOAD BEARING SHIM. SHIM WHERE SPACE OF 1/16" OR GREATER OCCURS. MAXIMUM ALLOWABLE SHIM STACK TO BE 1/4".
9. FOR ANCHORING INTO WOOD FRAMING OR 2X BUCK USE #10 WOOD SCREWS WITH SUFFICIENT LENGTH TO ACHIEVE A 1 3/8" MINIMUM EMBEDMENT INTO SUBSTRATE. LOCATE ANCHORS AS SHOWN IN ELEVATIONS AND INSTALLATION DETAILS.
10. FOR ANCHORING INTO MASONRY/CONCRETE USE 3/16" TAPCONS WITH SUFFICIENT LENGTH TO ACHIEVE A 1 3/4" MINIMUM EMBEDMENT INTO SUBSTRATE WITH 2" MINIMUM EDGE DISTANCE. LOCATE ANCHORS AS SHOWN IN ELEVATIONS AND INSTALLATION DETAILS.
11. FOR ANCHORING INTO METAL STRUCTURE USE #10 SMS OR SELF DRILLING SCREWS WITH SUFFICIENT LENGTH TO ACHIEVE 3 THREADS MINIMUM BEYOND STRUCTURE INTERIOR WALL. LOCATE ANCHORS AS SHOWN IN ELEVATIONS AND INSTALLATION DETAILS.
12. ALL FASTENERS TO BE CORROSION RESISTANT.
13. INSTALLATION ANCHORS SHALL BE INSTALLED IN ACCORDANCE WITH ANCHOR MANUFACTURER'S INSTALLATION INSTRUCTIONS AND ANCHORS SHALL NOT BE USED IN SUBSTRATES WITH STRENGTHS LESS THAN THE MINIMUM STRENGTH SPECIFIED BELOW:
  - A. WOOD – MINIMUM SPECIFIC GRAVITY OF G=0.42
  - B. CONCRETE – MINIMUM COMPRESSIVE STRENGTH OF 3,192 PSI.
  - C. MASONRY – GROUT FILLED STRENGTH CONFORMANCE TO ASTM C-90, GRADE N, TYPE 1 (OR GREATER).
  - D. METAL STRUCTURE: STEEL 18GA, 33KSI OR ALUMINUM 6063-T5 .048" THICK MINIMUM
14. DOOR CONSTRUCTION MAYBE CONTINUOUS HEAD FRAME AND CONTINUOUS THRESHOLD OR BOX CONSTRUCTION.

TABLE OF CONTENTS	
SHEET NO.	DESCRIPTION
1	NOTES
2 – 4	ELEVATIONS AND APPROVED CONFIGURATIONS
5	ANCHORING LAYOUTS
6 – 11	INSTALLATION DETAILS
12	GLAZING DETAILS
13 – 16	MULLION DETAILS, APPROVED SLABS AND COMPONENTS

**PROVIA, LLC.**  
2150 STATE ROUTE 39 WEST  
SUGARCREEK, OH 44681

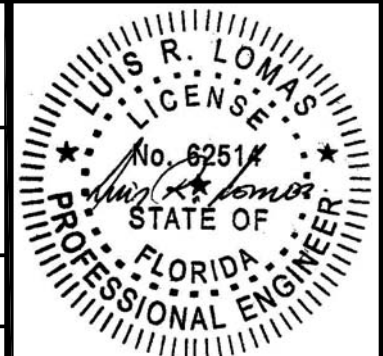
---

STEEL INSWING GLAZED DOUBLE DOOR  
W/SIDELITE & TRANSOM – IMPACT  
NOTES

DRAWN: J.L.	DWG NO. 08-01968	REV H
SCALE NTS	DATE 04/23/13	SHEET 1 OF 16

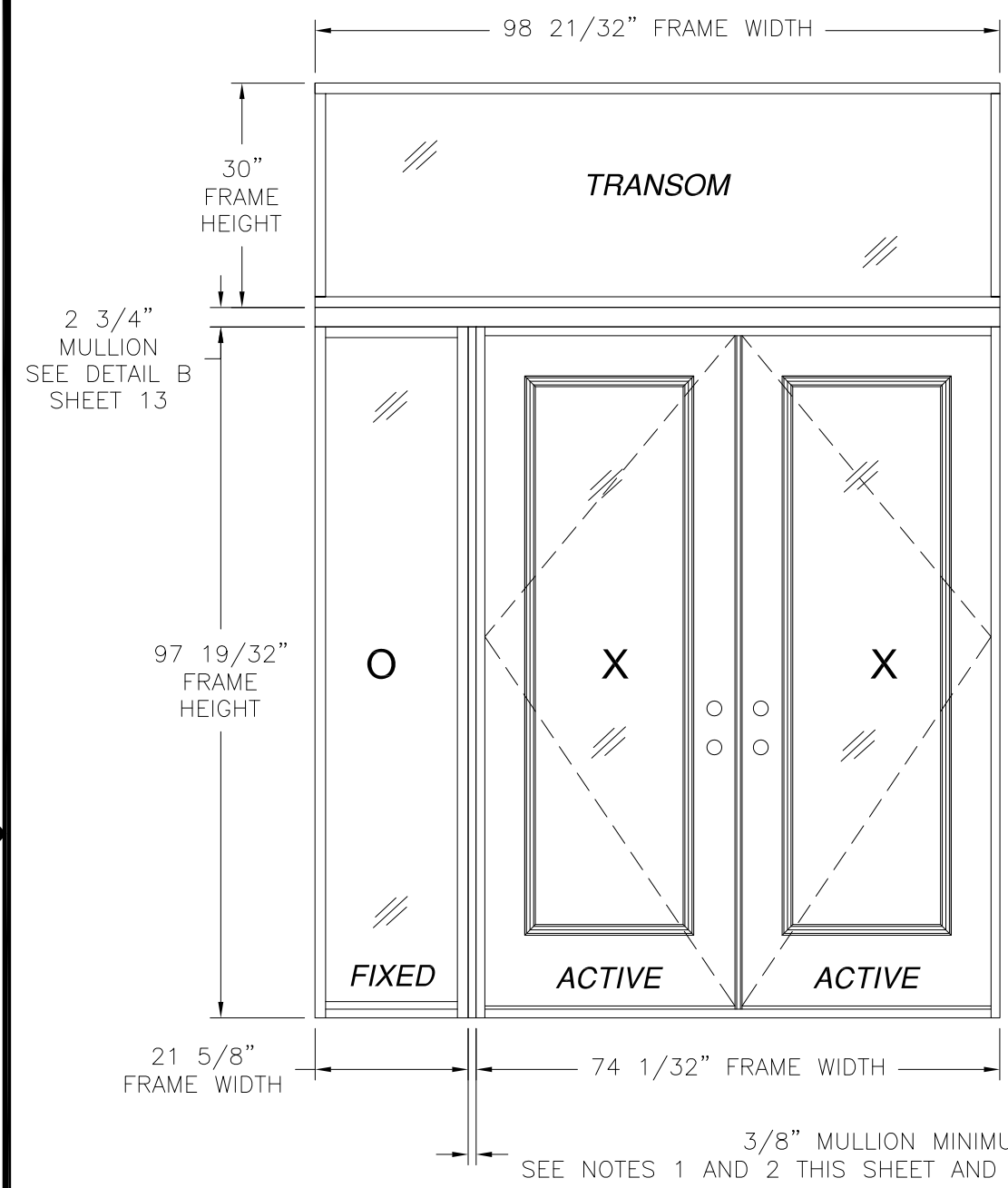
L. ROBERTO LOMAS P.E.  
1432 WOODFORD RD LEWISVILLE, NC 27023  
434-688-0609 rllomas@rlomaspe.com

SIGNED: 09/07/2021

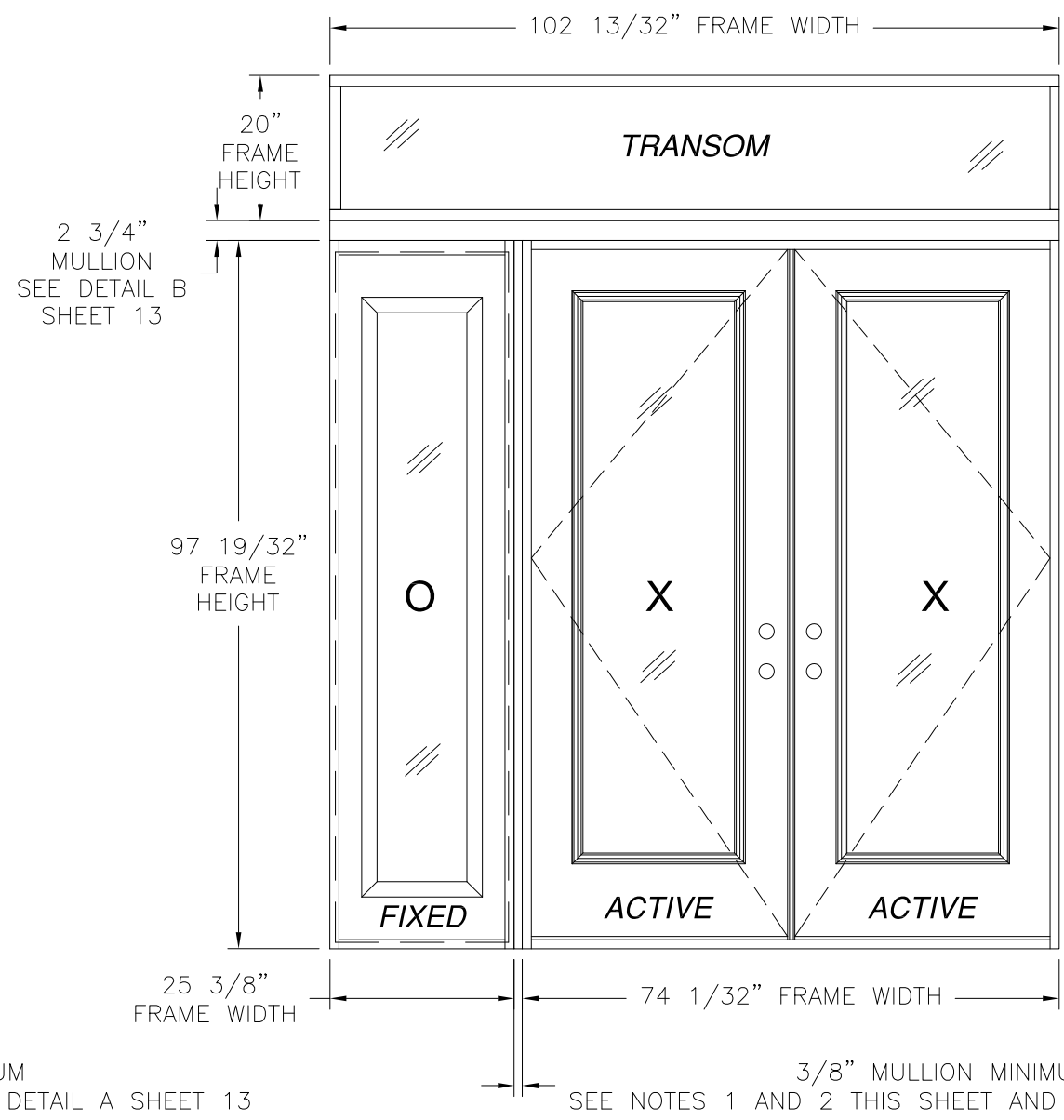


Luis R. Lomas P.E.  
FL No.: 62514

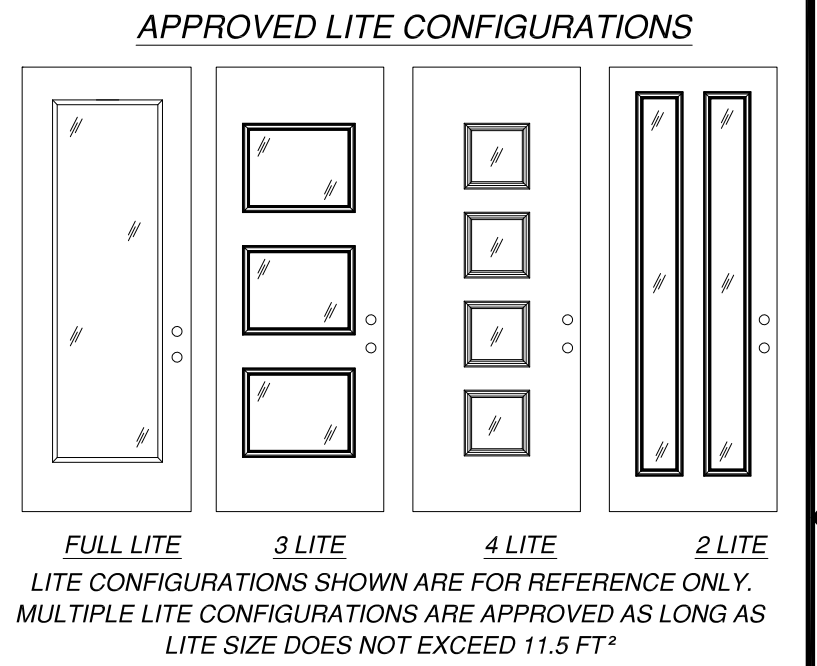
REVISIONS			
REV	DESCRIPTION	DATE	APPROVED
H	ADDED MULTILITE PANELS & TRIMS	08/12/2021	R.L.



**DOUBLE DOOR W/ DIRECT SET SIDELITE AND TRANSOM**  
EXTERIOR VIEW  
OXX SHOWN XXO ALSO APPROVED



**DOUBLE DOOR W/ STD SIDELITE AND TRANSOM**  
EXTERIOR VIEW  
OXX SHOWN XXO ALSO APPROVED



DESIGN PRESSURE RATING	IMPACT RATING
±55.0PSF	LARGE MISSILE IMPACT

MISSILE LEVEL D, WIND ZONE 3  
35 3/4" x 94 15/16" PANEL SIZE SHOWN. OTHER SIZES ARE APPROVED AS LONG AS INDIVIDUAL PANEL AREA DOES NOT EXCEED 23.56 FT<sup>2</sup>

- NOTES:
1. MAXIMUM ALLOWED BUILDUP TO BE 3" AT VERTICAL MULLION.
  2. IF SIDELITE WIDTH IS 16" OR LESS NO VERTICAL MULLION IS REQUIRED.

PROVIA, LLC.  
2150 STATE ROUTE 39 WEST  
SUGARCREEK, OH 44681

STEEL INSWING GLAZED DOUBLE DOOR  
W/SIDELITE & TRANSOM - IMPACT  
ELEVATIONS

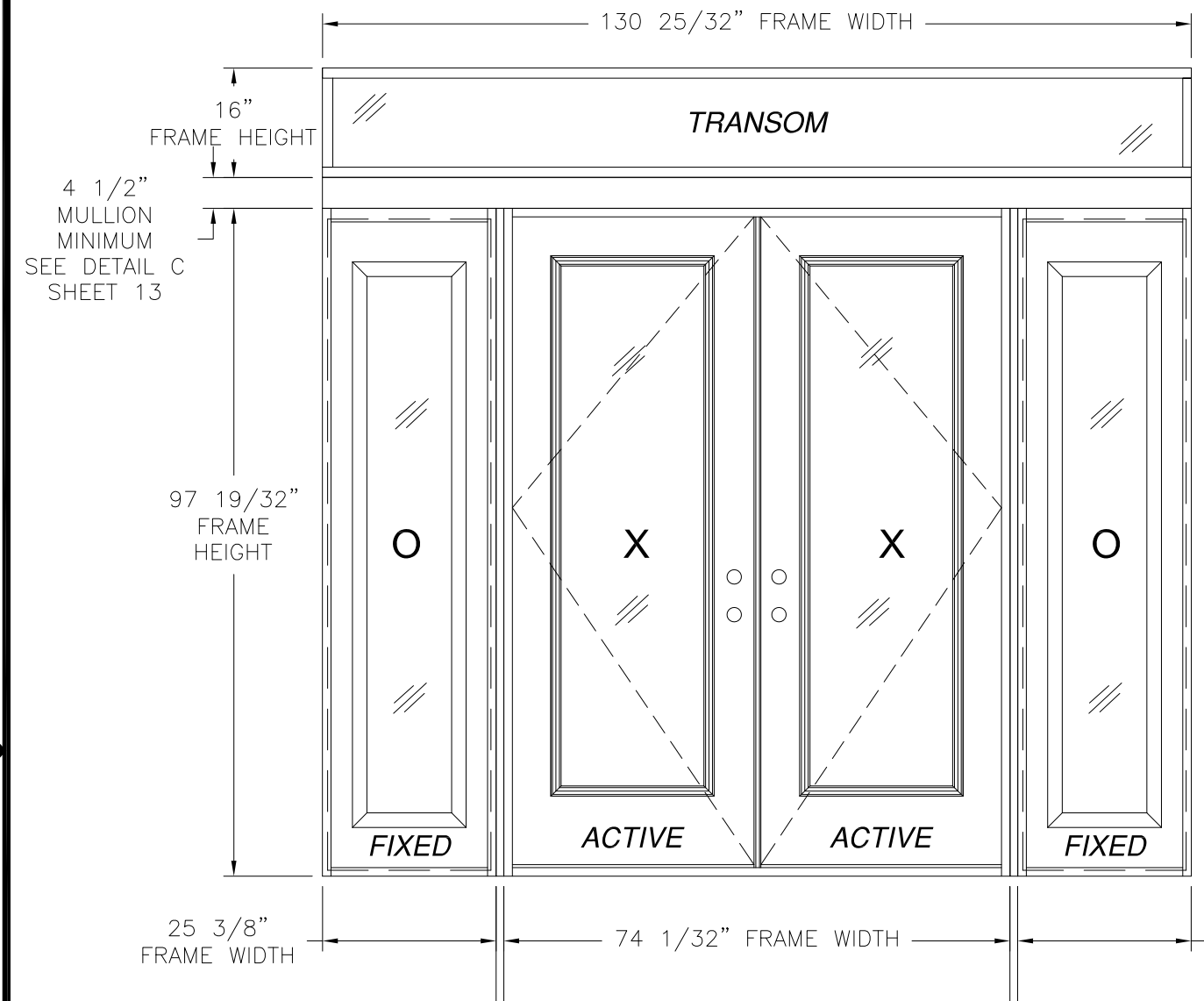
DRAWN: J.L.	DWG NO. 08-01968	REV H
SCALE NTS	DATE 04/23/13	SHEET 2 OF 16

L. ROBERTO LOMAS P.E.  
1432 WOODFORD RD LEWISVILLE, NC 27023  
434-688-0609 rllomas@rlomaspe.com

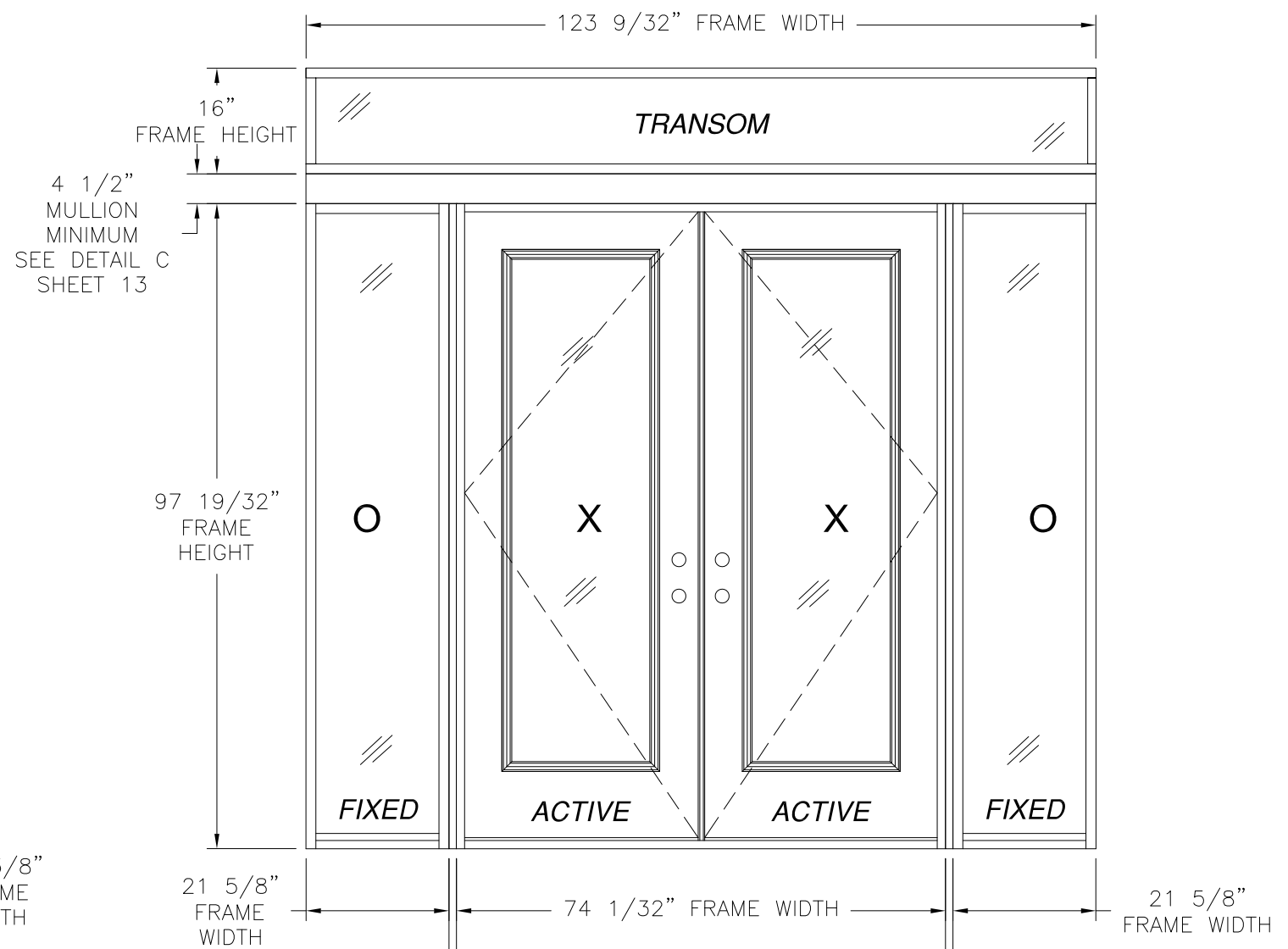
SIGNED: 09/07/2021

Luis R. Lomas P.E.  
FL No.: 62514

REVISIONS			
REV	DESCRIPTION	DATE	APPROVED
H	ADDED MULTILITE PANELS & TRIMS	08/12/2021	R.L.



**DOUBLE DOOR W/ STD SIDELITES AND TRANSOM**  
EXTERIOR VIEW



**DOUBLE DOOR W/ DIRECT SET SIDELITES AND TRANSOM**  
EXTERIOR VIEW

SIGNED: 09/07/2021

DESIGN PRESSURE RATING	IMPACT RATING
±55.0PSF	LARGE MISSILE IMPACT

MISSILE LEVEL D, WIND ZONE 3

35 3/4" x 94 15/16" PANEL SIZE SHOWN. OTHER SIZES ARE APPROVED AS LONG AS INDIVIDUAL PANEL AREA DOES NOT EXCEED 23.56 FT<sup>2</sup>

- NOTES:
1. MAXIMUM ALLOWED BUILDUP TO BE 3" AT VERTICAL MULLION.
  2. IF SIDELITE WIDTH IS 16" OR LESS NO VERTICAL MULLION IS REQUIRED.

PROVIA, LLC.  
2150 STATE ROUTE 39 WEST  
SUGARCREEK, OH 44681

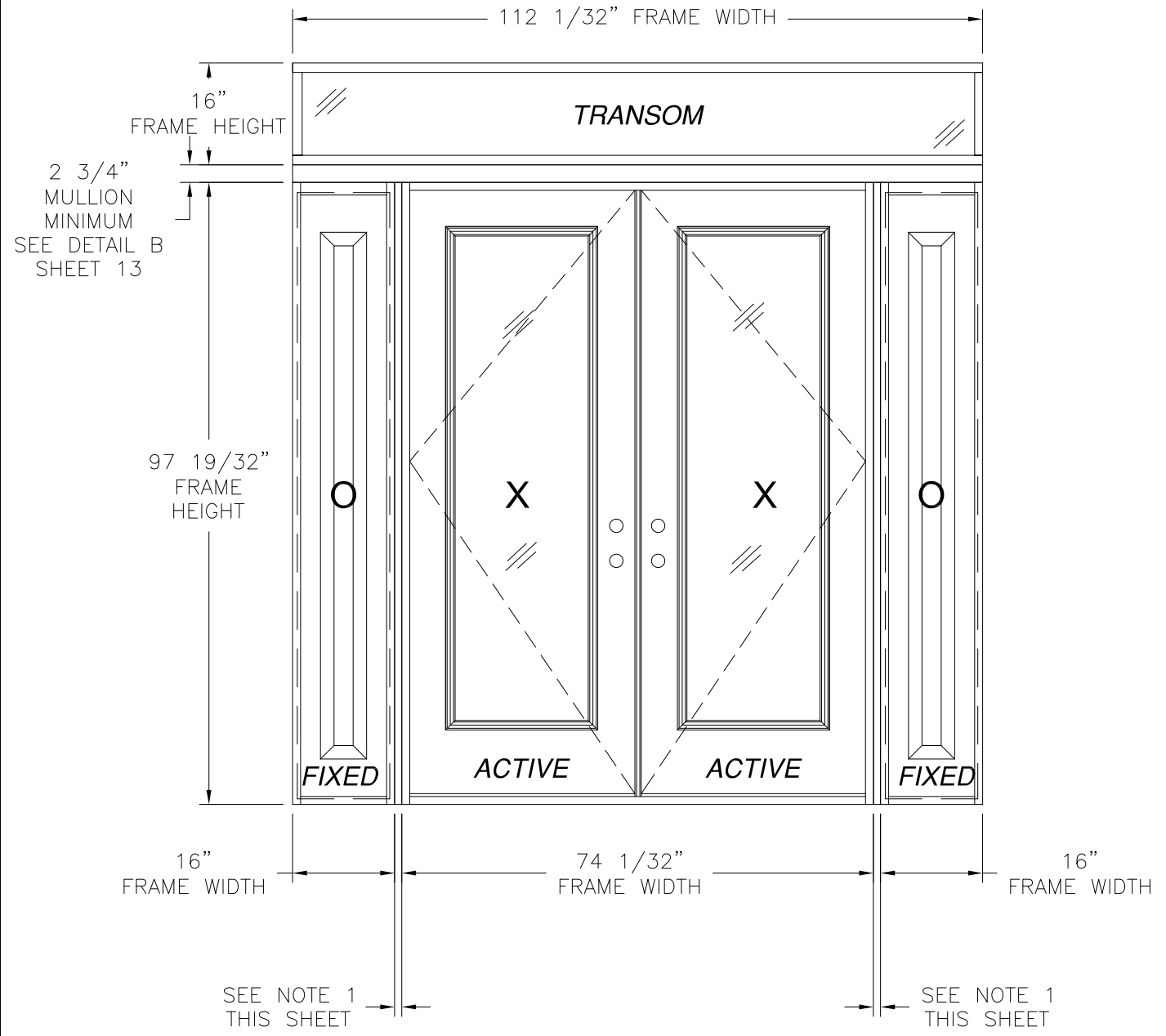
STEEL INSWING GLAZED DOUBLE DOOR  
W/SIDELITE & TRANSOM - IMPACT  
ELEVATIONS AND APPROVED CONFIGURATIONS

DRAWN: J.L.	DWG NO. 08-01968	REV H
SCALE NTS	DATE 04/23/13	SHEET 3 OF 16

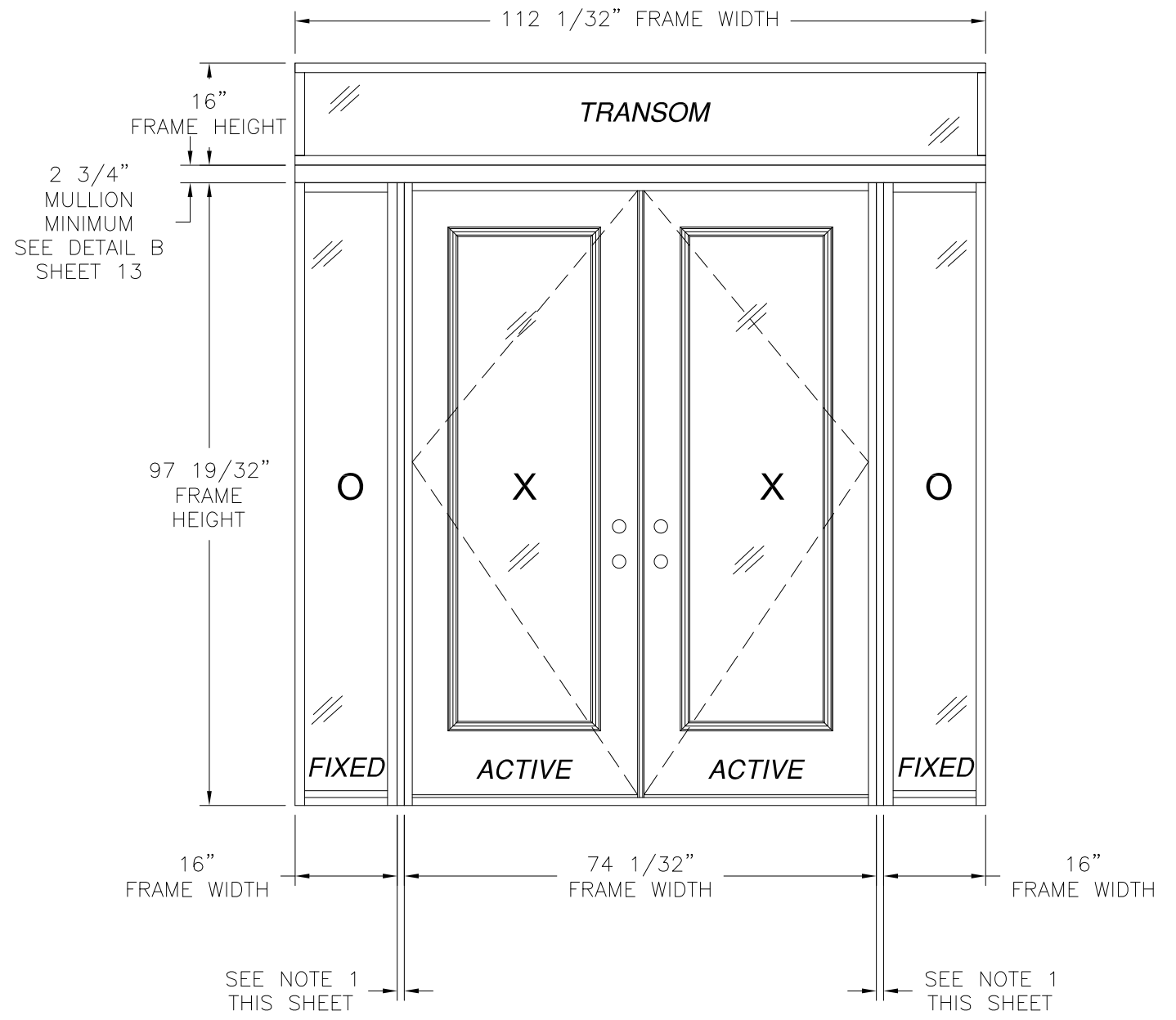
L. ROBERTO LOMAS P.E.  
1432 WOODFORD RD LEWISVILLE, NC 27023  
434-688-0609 rllomas@rlomaspe.com

Luis R. Lomas P.E.  
FL No.: 62514

REVISIONS			
REV	DESCRIPTION	DATE	APPROVED
H	ADDED MULTILITE PANELS & TRIMS	08/12/2021	R.L.



**DOUBLE DOOR W/ STD SIDELITES AND TRANSOM**  
EXTERIOR VIEW



**DOUBLE DOOR W/ DIRECT SET SIDELITES AND TRANSOM**  
EXTERIOR VIEW

SIGNED: 09/07/2021

DESIGN PRESSURE RATING	IMPACT RATING
±55.0PSF	LARGE MISSILE IMPACT

MISSILE LEVEL D, WIND ZONE 3

35 3/4" x 94 15/16" PANEL SIZE SHOWN. OTHER SIZES ARE APPROVED AS LONG AS INDIVIDUAL PANEL AREA DOES NOT EXCEED 23.56 FT<sup>2</sup>

NOTES:  
1. MAXIMUM ALLOWED BUILDUP TO BE 3" AT VERTICAL MULLION.

PROVIA, LLC.  
2150 STATE ROUTE 39 WEST  
SUGARCREEK, OH 44681

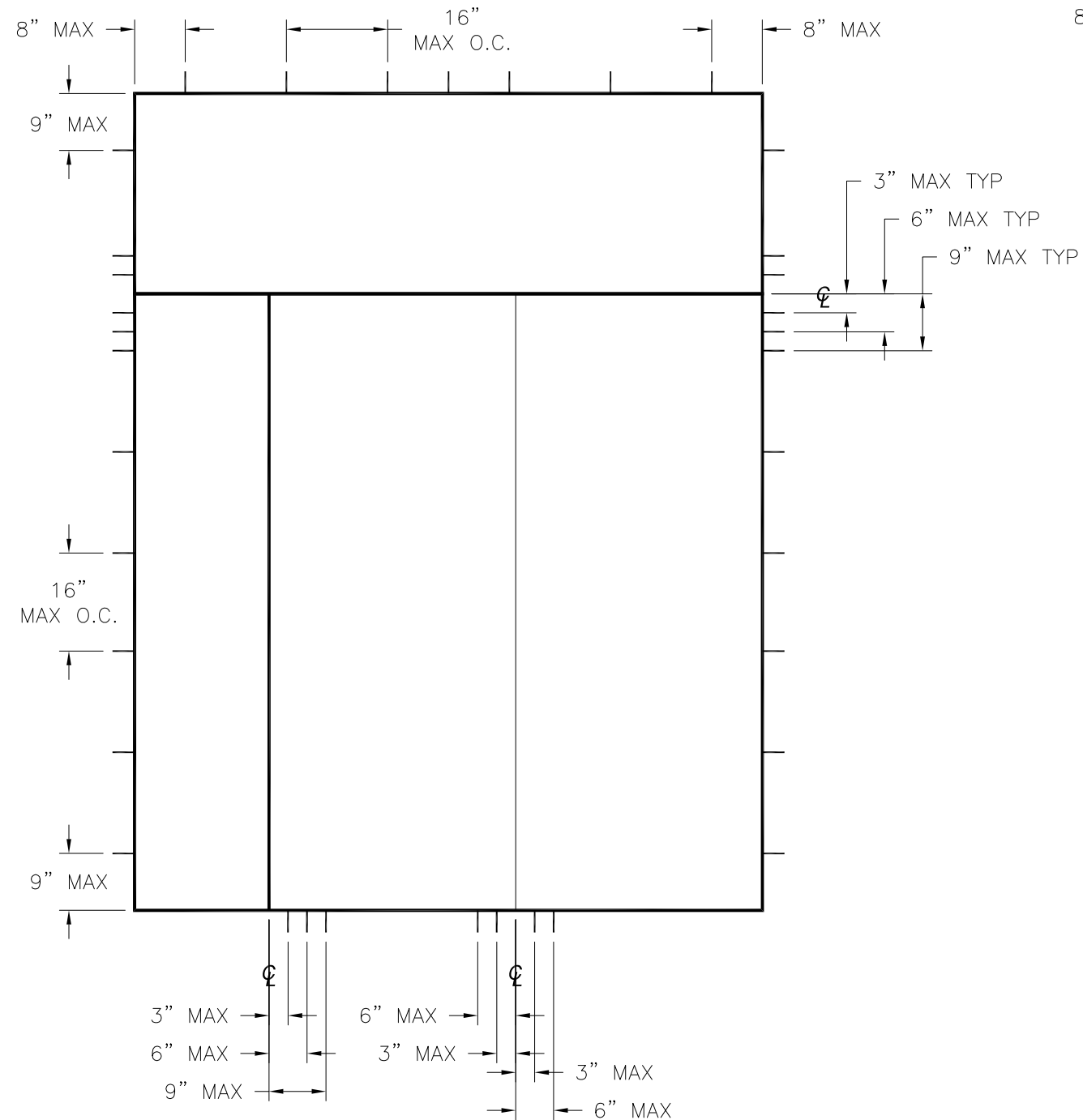
STEEL INSWING GLAZED DOUBLE DOOR  
W/SIDELITE & TRANSOM – IMPACT  
ELEVATIONS AND APPROVED CONFIGURATIONS

DRAWN: J.L.	DWG NO. 08-01968	REV H
SCALE NTS	DATE 04/23/13	SHEET 4 OF 16

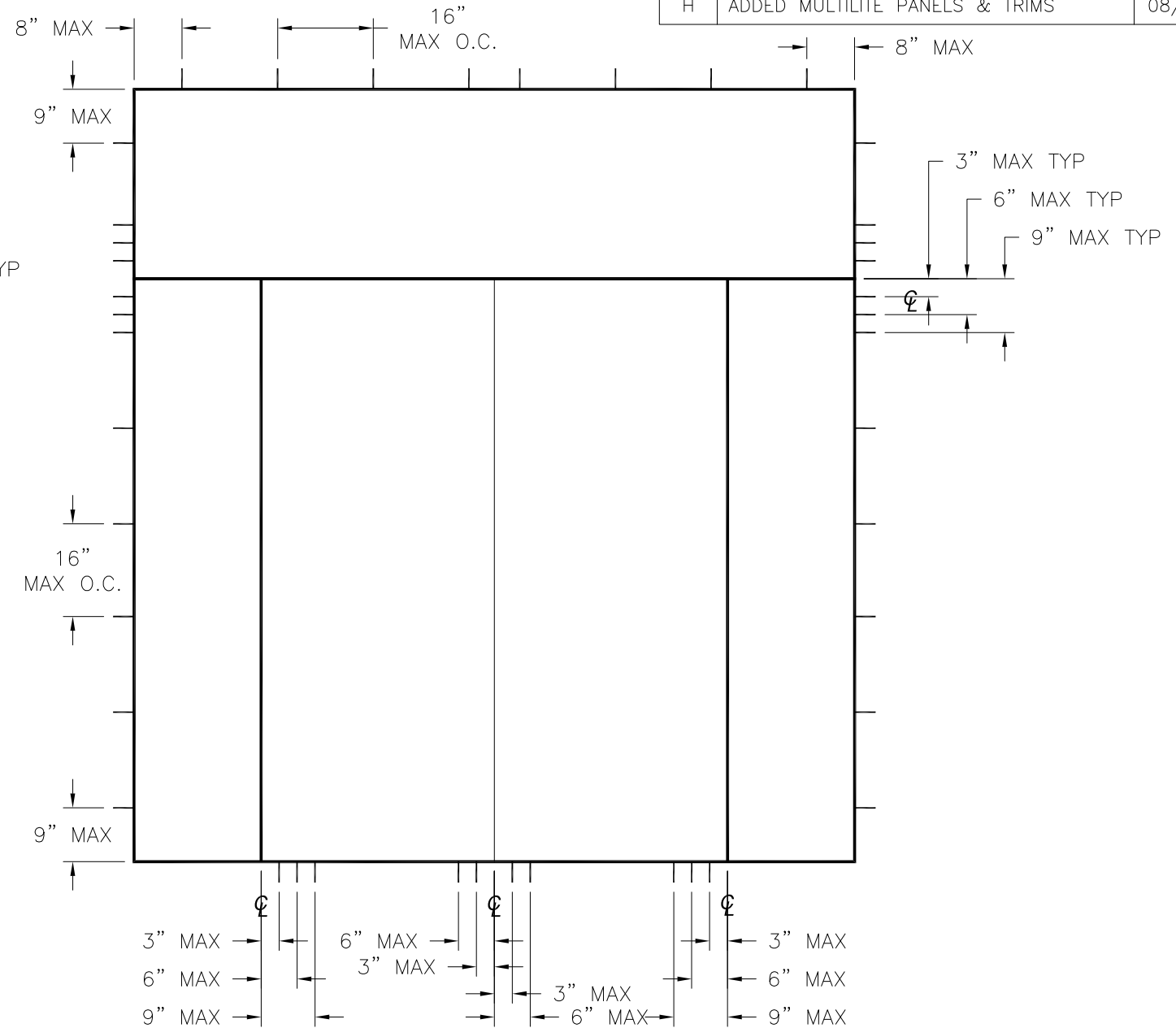
L. ROBERTO LOMAS P.E.  
1432 WOODFORD RD LEWISVILLE, NC 27023  
434-688-0609 rllomas@rlomaspe.com

Luis R. Lomas P.E.  
FL No.: 62514

REVISIONS			
REV	DESCRIPTION	DATE	APPROVED
H	ADDED MULTILITE PANELS & TRIMS	08/12/2021	R.L.



**DOUBLE DOOR W/SIDELITE AND TRANSOM**  
ANCHORING LAYOUT



**DOUBLE DOOR & TRANSOM - IMPACT -**  
**COMPOSITE/WOOD FRAME**  
ANCHORING LAYOUT

SIGNED: 09/07/2021

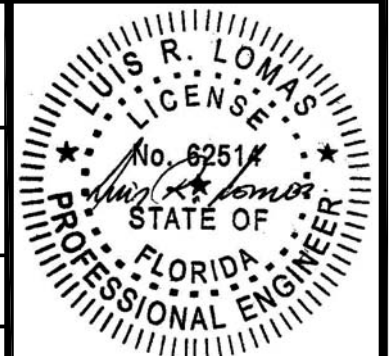
HARDWARE SCHEDULE	
A.	F-SERIES LOCK ASSEMBLY DOOR KNOB BY SCHLAGE.
B.	B-SERIES DEADBOLT ASSEMBLY BY SCHLAGE.
C.	F-SERIES DEADBOLT ASSEMBLY BY SCHLAGE.
D.	RESIDENTIAL GRADE DOOR HANDLE ASSEMBLY BY EMTEK (ALTERNATE).
E.	MULTI-POINT LOCK HANDLE ASSEMBLY BY TRILENNIUM (ALTERNATE).
F.	(3) 4" x 4" BALL BEARING HINGES BY PENROD.
G.	(3) 4" x 4" SPRING BOMMER HINGES BY PENROD. (ALTERNATE)

**PROVIA, LLC.**  
2150 STATE ROUTE 39 WEST  
SUGARCREEK, OH 44681

STEEL INSWING GLAZED DOUBLE DOOR  
W/SIDELITE & TRANSOM - IMPACT  
ANCHORING LAYOUTS

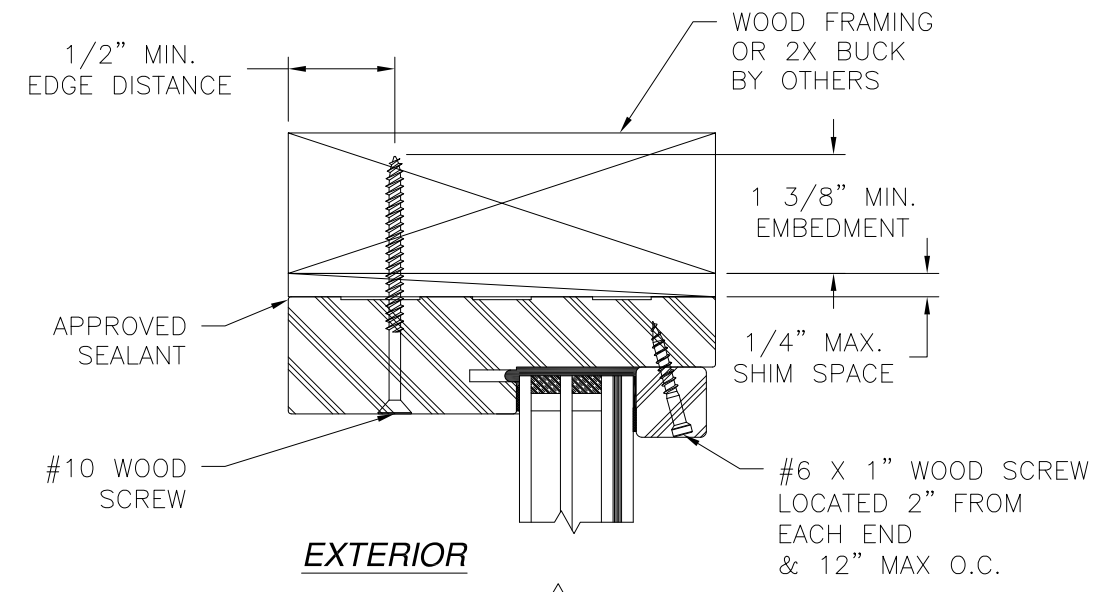
DRAWN: J.L.	DWG NO. 08-01968	REV H
SCALE NTS	DATE 04/23/13	SHEET 5 OF 16

L. ROBERTO LOMAS P.E.  
1432 WOODFORD RD LEWISVILLE, NC 27023  
434-688-0609 rllomas@rlomaspe.com

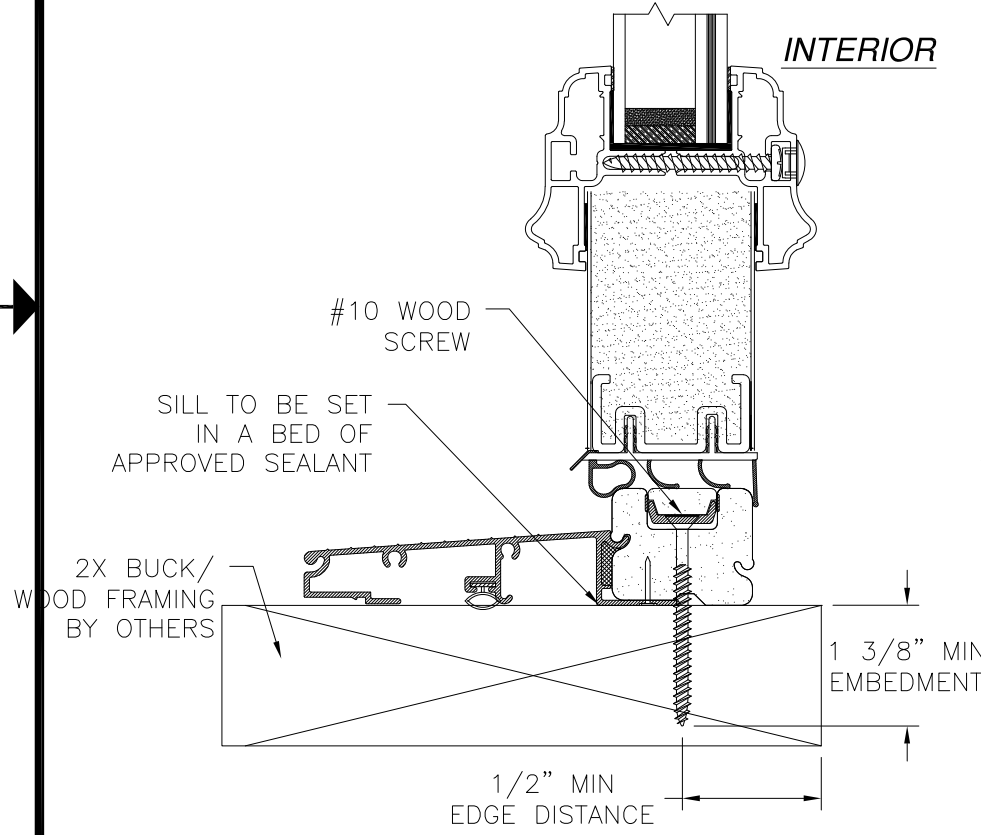


Luis R. Lomas P.E.  
FL No.: 62514

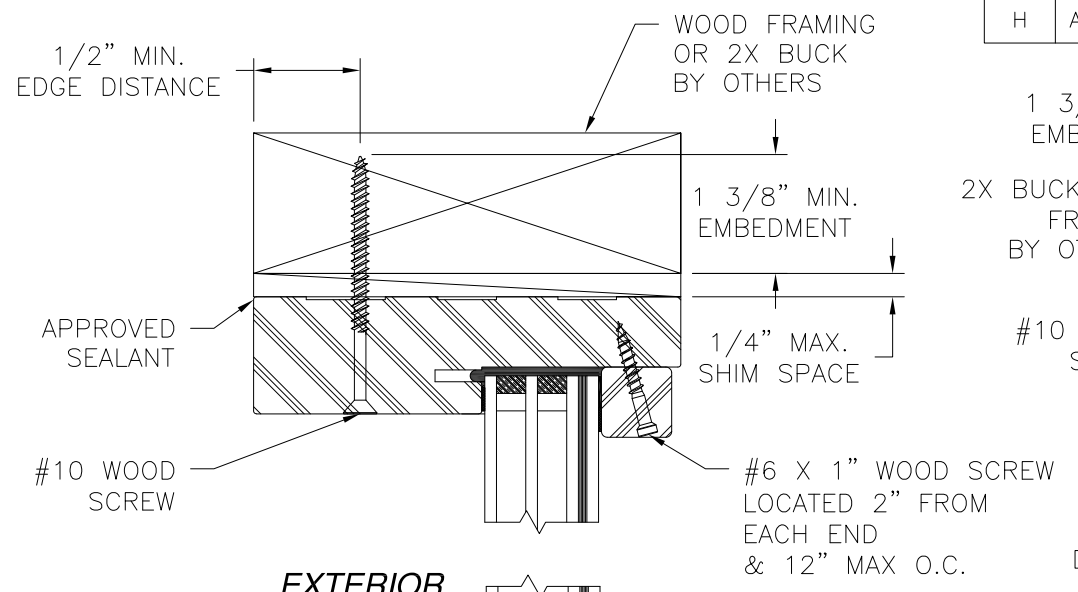
REVISIONS			
REV	DESCRIPTION	DATE	APPROVED
H	ADDED MULTILITE PANELS & TRIMS	08/12/2021	R.L.



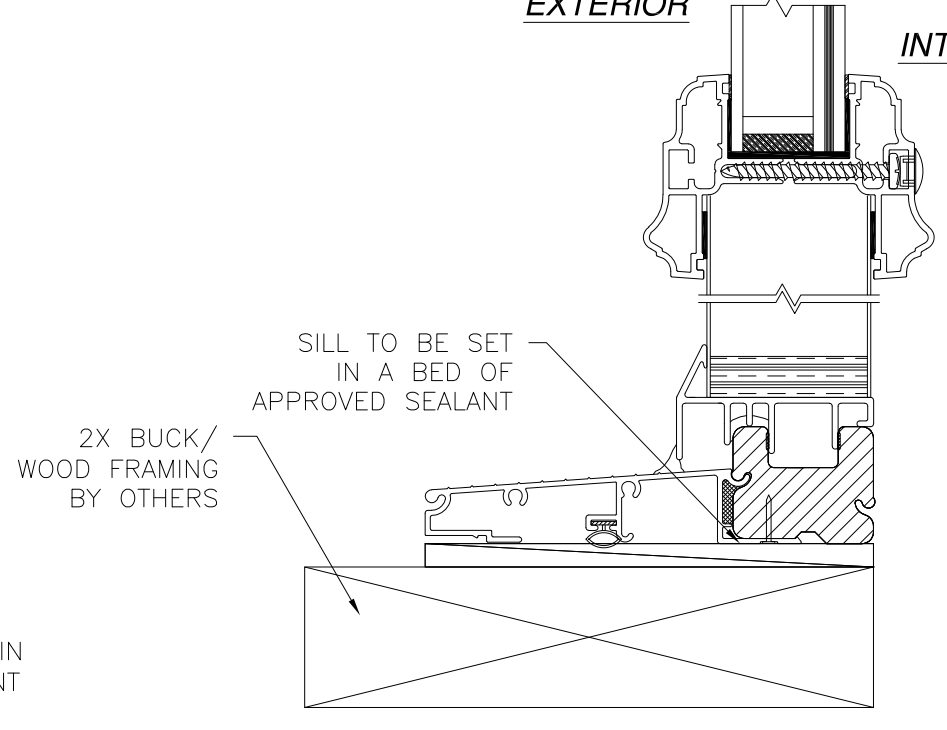
**EXTERIOR**



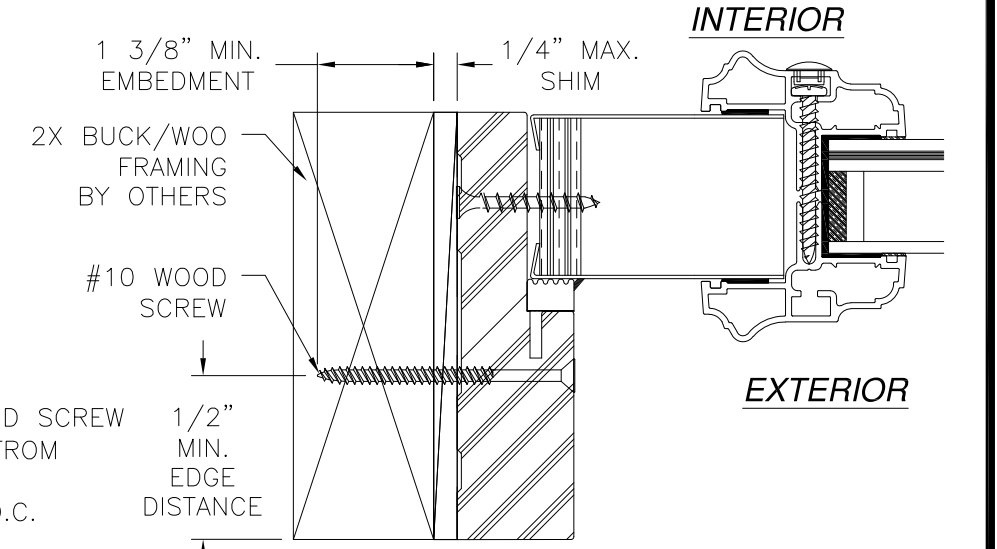
**VERTICAL CROSS SECTION**  
DOOR AND TRANSOM INSTALLATION - 2X BUCK/WOOD FRAMING



**EXTERIOR**



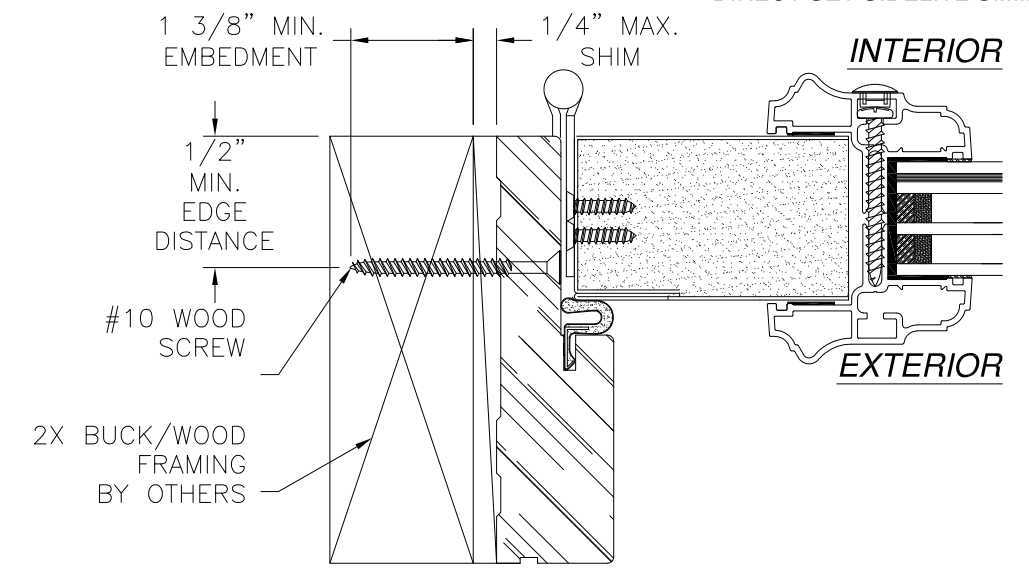
**VERTICAL CROSS SECTION**  
SIDELITE AND TRANSOM INSTALLATION 2X BUCK/WOOD FRAMING  
STANDARD SIDELITE SHOWN  
DIRECT SET SIDELITE SIMILAR  
TRANSOM HEAD SHOWN  
TRANSOM JAMB SIMILAR



**INTERIOR**

**EXTERIOR**

**HORIZONTAL CROSS SECTION**  
SIDELITE INSTALLATION 2X BUCK/WOOD FRAMING  
STANDARD SIDELITE SHOWN  
DIRECT SET SIDELITE SIMILAR



**INTERIOR**

**EXTERIOR**

**HORIZONTAL CROSS SECTION**  
DOOR INSTALLATION - 2X BUCK/WOOD FRAMING

SIGNED: 09/07/2021

- NOTES:**
- INTERIOR AND EXTERIOR FINISHES, BY OTHERS, NOT SHOWN FOR CLARITY.
  - PERIMETER AND JOINT SEALANT BY OTHERS TO BE DESIGNED IN ACCORDANCE WITH ASTM E2112

PROVIA, LLC.  
2150 STATE ROUTE 39 WEST  
SUGARCREEK, OH 44681

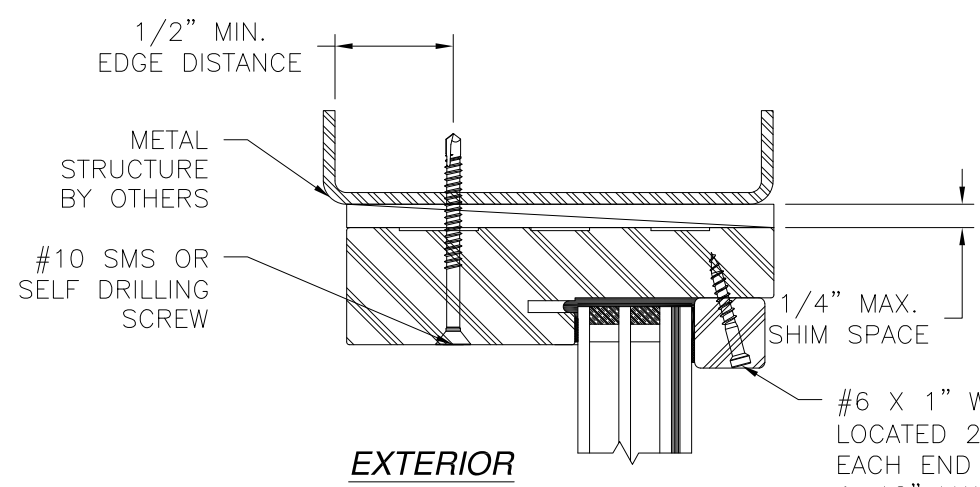
STEEL INSWING GLAZED DOUBLE DOOR  
W/SIDELITE & TRANSOM - IMPACT  
INSTALLATION DETAILS

DRAWN: J.L.	DWG NO. 08-01968	REV H
SCALE NTS	DATE 04/23/13	SHEET 6 OF 16

L. ROBERTO LOMAS P.E.  
1432 WOODFORD RD LEWISVILLE, NC 27023  
434-688-0609 rllomas@rlomaspe.com

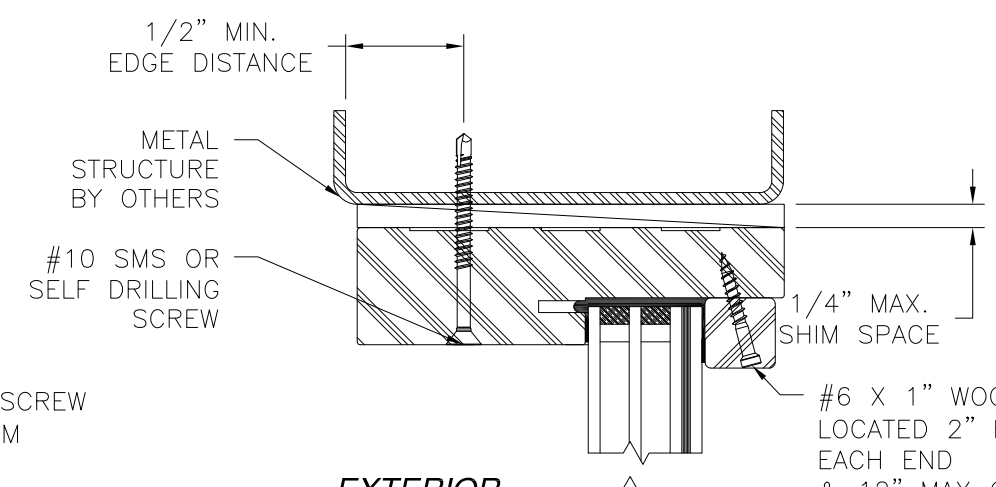
Luis R. Lomas P.E.  
FL No.: 62514

REVISIONS			
REV	DESCRIPTION	DATE	APPROVED
H	ADDED MULTILITE PANELS & TRIMS	08/12/2021	R.L.



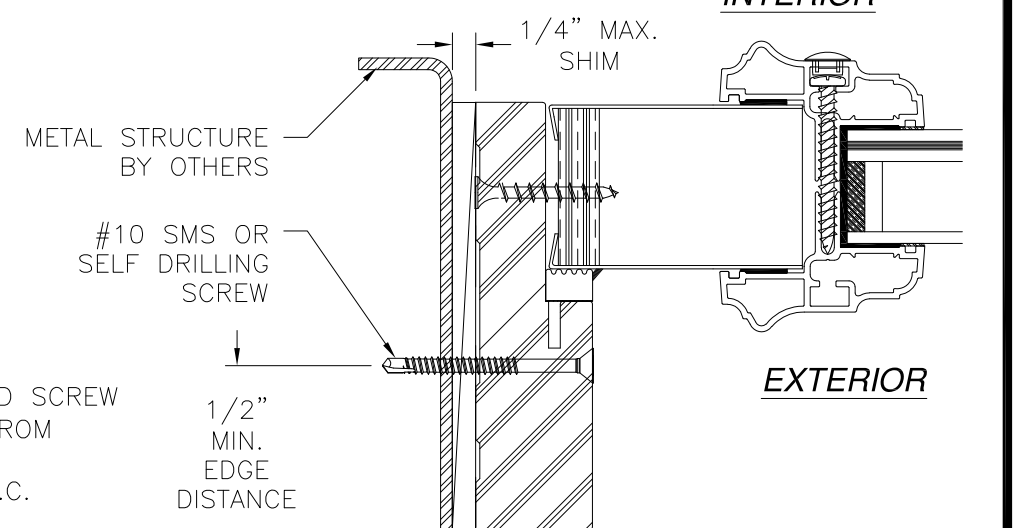
**EXTERIOR**

**INTERIOR**



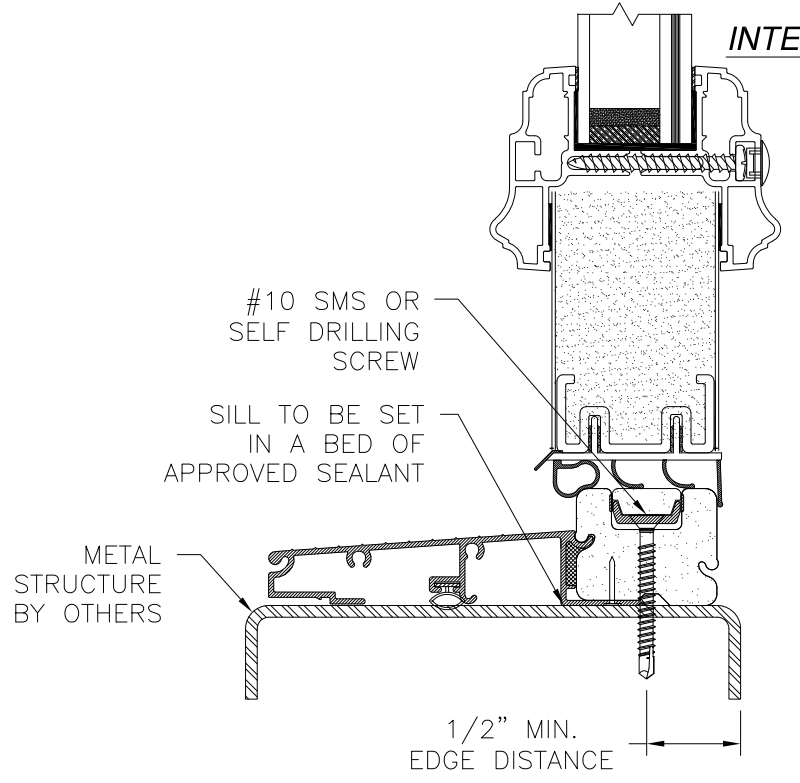
**EXTERIOR**

**INTERIOR**



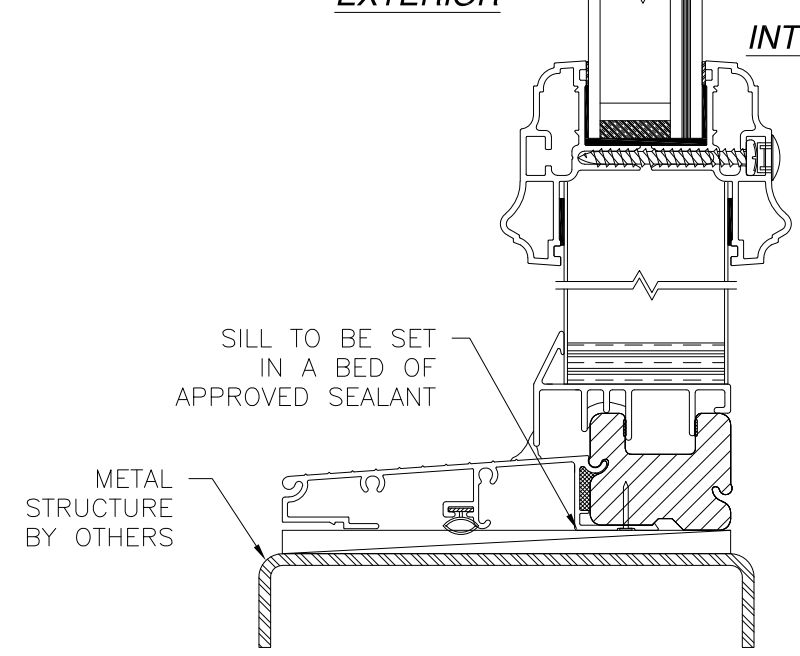
**INTERIOR**

**EXTERIOR**



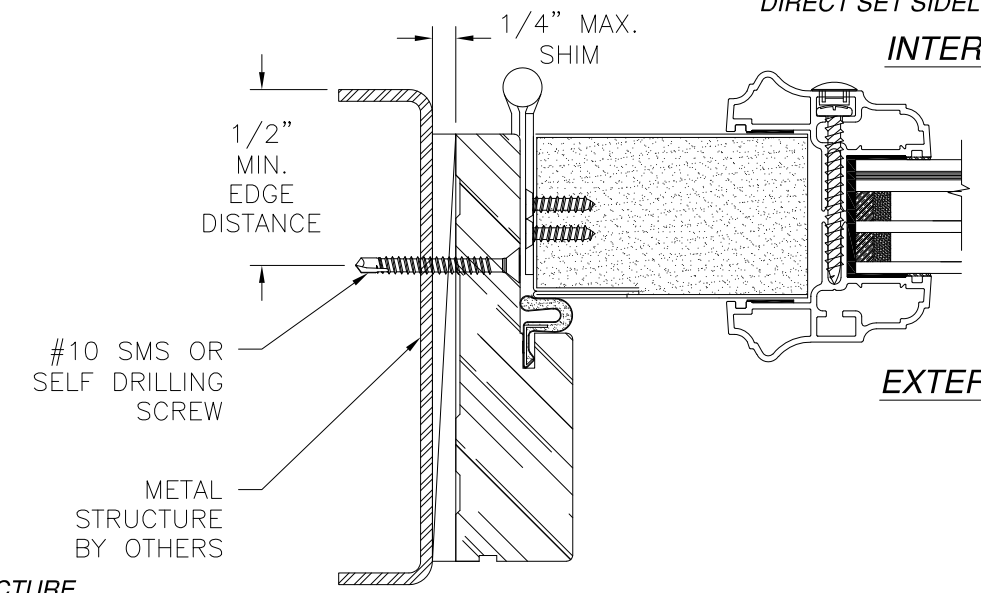
**VERTICAL CROSS SECTION**

DOOR AND TRANSOM INSTALLATION METAL STRUCTURE  
TRANSOM HEAD SHOWN  
TRANSOM JAMB SIMILAR



**VERTICAL CROSS SECTION**

SIDELITE AND TRANSOM INSTALLATION METAL STRUCTURE  
STANDARD SIDELITE SHOWN  
DIRECT SET SIDELITE SIMILAR  
TRANSOM HEAD SHOWN  
TRANSOM JAMB SIMILAR



**INTERIOR**

**EXTERIOR**

**HORIZONTAL CROSS SECTION**

DOOR INSTALLATION METAL STRUCTURE SIGNED: 09/07/2021

**NOTES:**

1. INTERIOR AND EXTERIOR FINISHES, BY OTHERS, NOT SHOWN FOR CLARITY.
2. PERIMETER AND JOINT SEALANT BY OTHERS TO BE DESIGNED IN ACCORDANCE WITH ASTM E2112

**PROVIA, LLC.**  
2150 STATE ROUTE 39 WEST  
SUGARCREEK, OH 44681

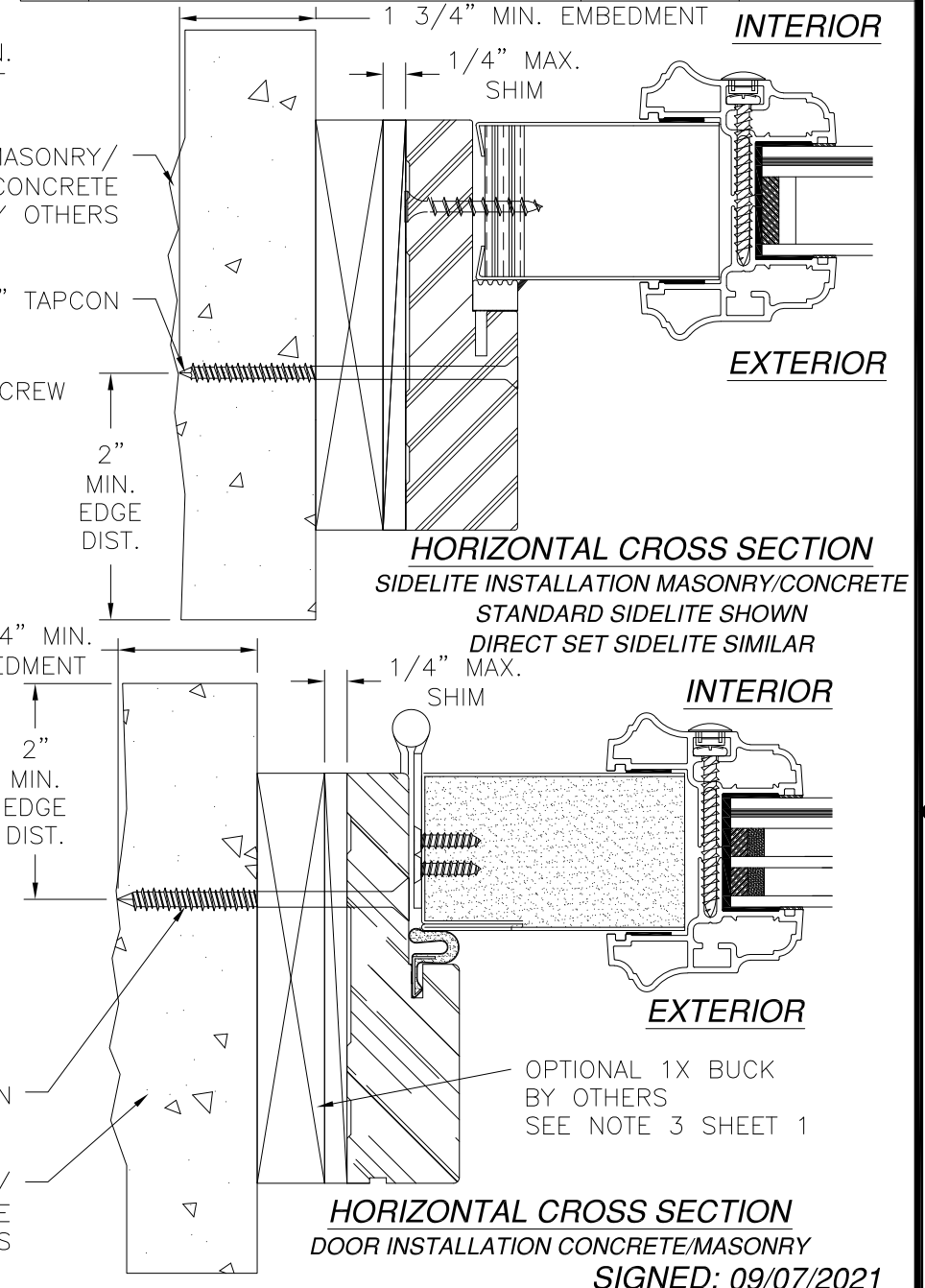
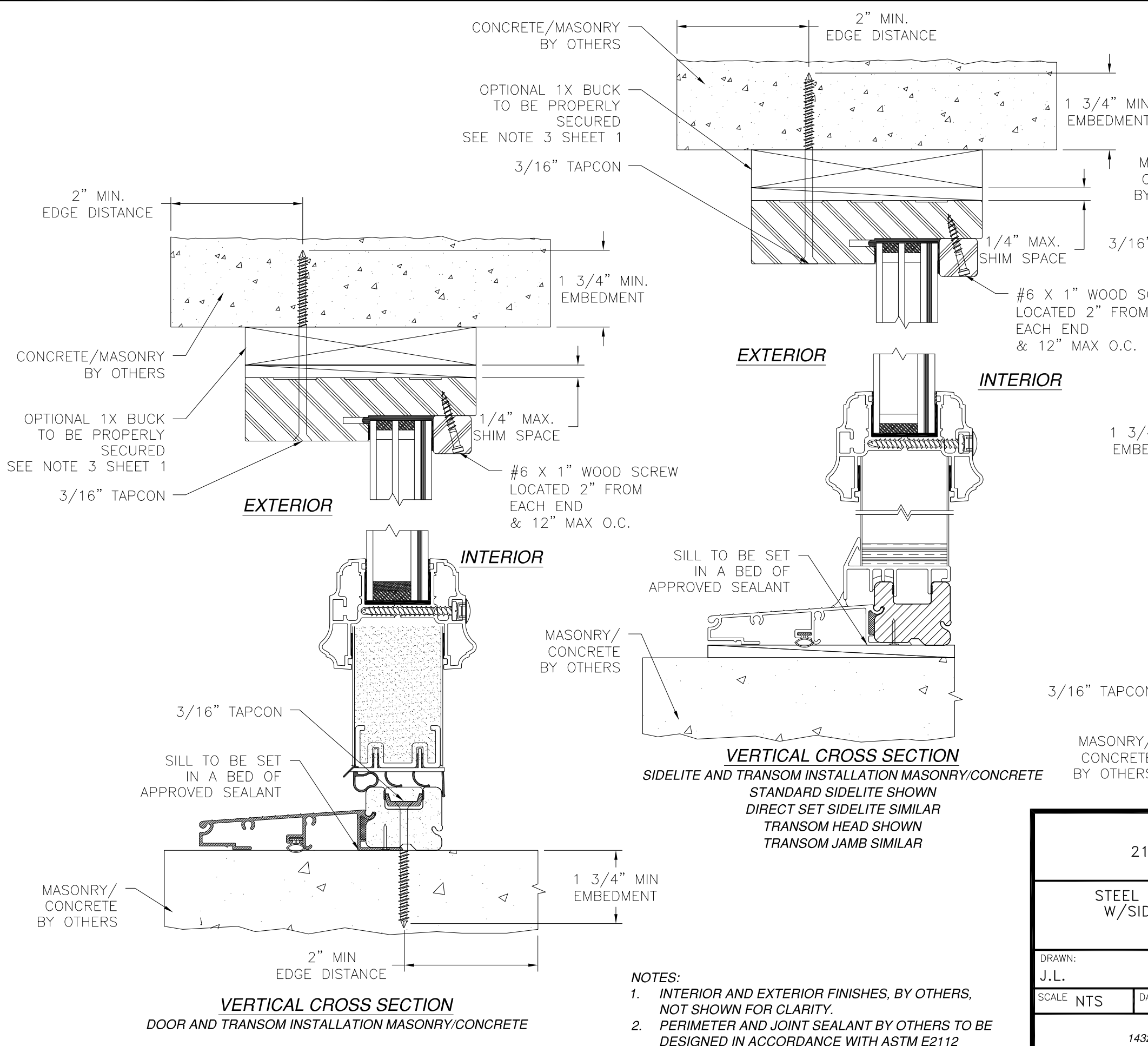
STEEL INSWING GLAZED DOUBLE DOOR  
W/SIDELITE & TRANSOM - IMPACT  
INSTALLATION DETAILS

DRAWN: J.L.	DWG NO. 08-01968	REV H
SCALE NTS	DATE 04/23/13	SHEET 7 OF 16

L. ROBERTO LOMAS P.E.  
1432 WOODFORD RD LEWISVILLE, NC 27023  
434-688-0609 rllomas@rlomaspe.com

Luis R. Lomas P.E.  
FL No.: 62514

REVISIONS			
REV	DESCRIPTION	DATE	APPROVED
H	ADDED MULTILITE PANELS & TRIMS	08/12/2021	R.L.



- NOTES:**
1. INTERIOR AND EXTERIOR FINISHES, BY OTHERS, NOT SHOWN FOR CLARITY.
  2. PERIMETER AND JOINT SEALANT BY OTHERS TO BE DESIGNED IN ACCORDANCE WITH ASTM E212

**PROVIA, LLC.**  
 2150 STATE ROUTE 39 WEST  
 SUGARCREEK, OH 44681

---

STEEL INSWING GLAZED DOUBLE DOOR  
 W/SIDELITE & TRANSOM - IMPACT  
 INSTALLATION DETAILS

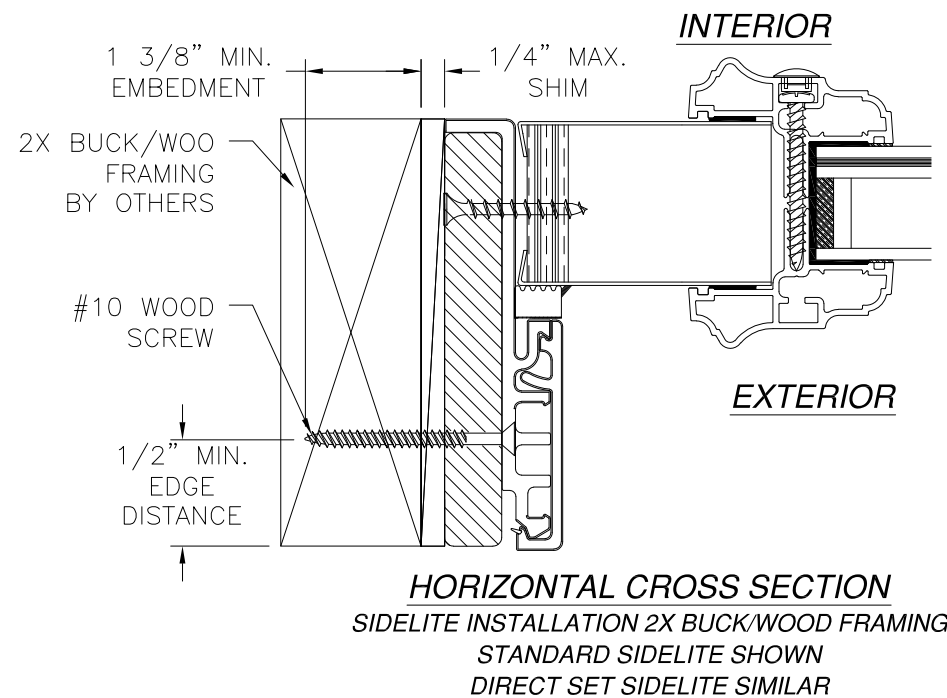
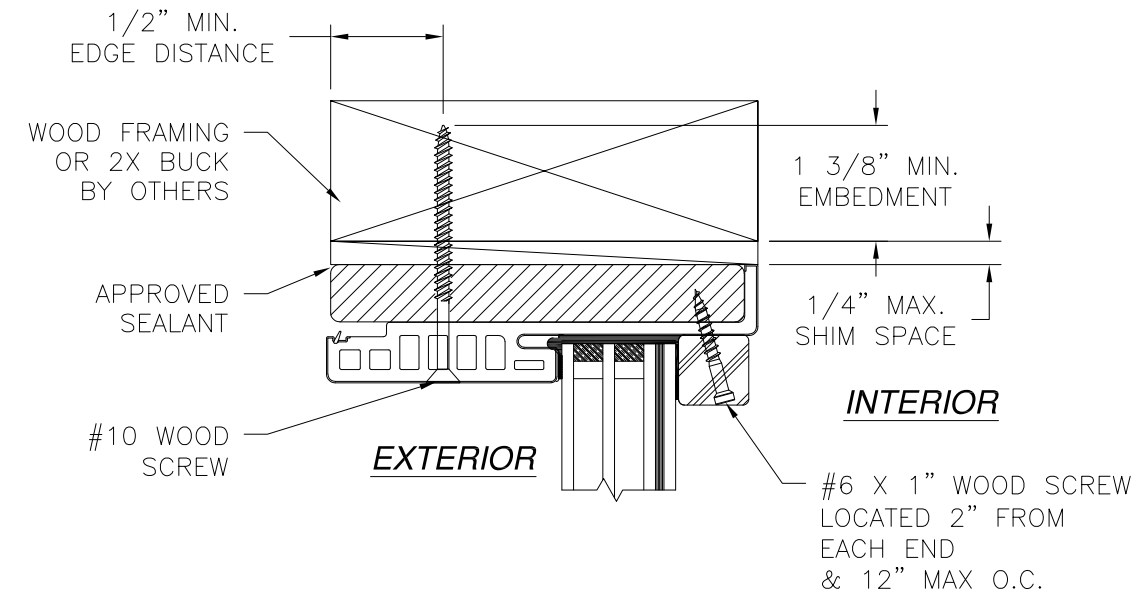
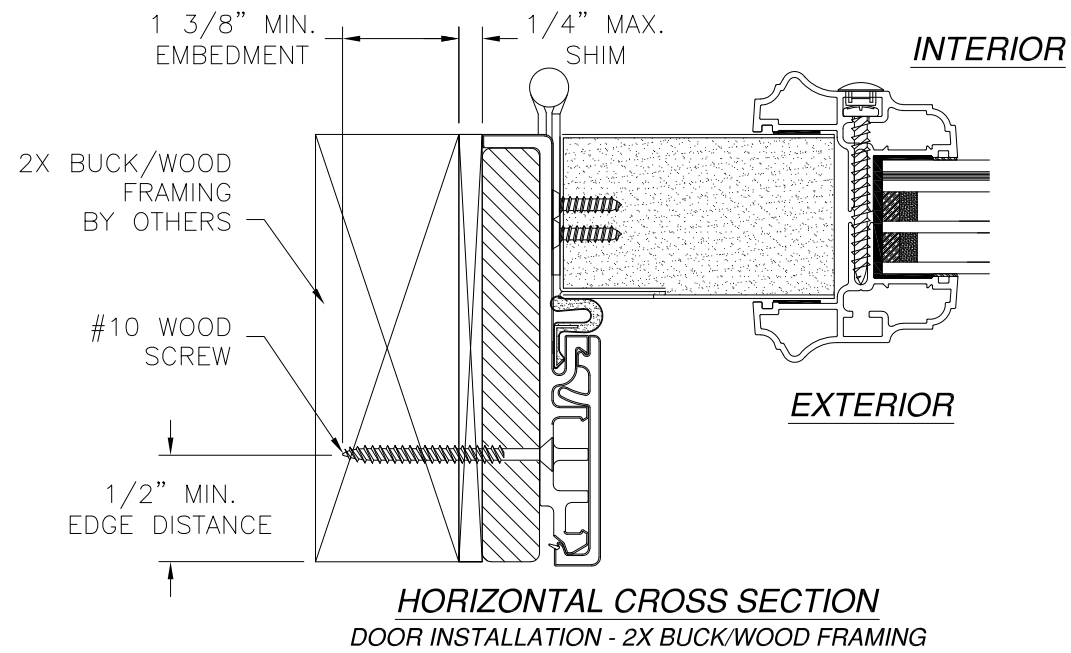
DRAWN: J.L.	DWG NO. 08-01968	REV H
SCALE NTS	DATE 04/23/13	SHEET 8 OF 16

L. ROBERTO LOMAS P.E.  
 1432 WOODFORD RD LEWISVILLE, NC 27023  
 434-688-0609 rllomas@rlomaspe.com

Luis R. Lomas P.E.  
 FL No.: 62514



REVISIONS			
REV	DESCRIPTION	DATE	APPROVED
H	ADDED MULTILITE PANELS & TRIMS	08/12/2021	R.L.



**NOTES:**

1. INTERIOR AND EXTERIOR FINISHES, BY OTHERS, NOT SHOWN FOR CLARITY.
2. PERIMETER AND JOINT SEALANT BY OTHERS TO BE DESIGNED IN ACCORDANCE WITH ASTM E2112

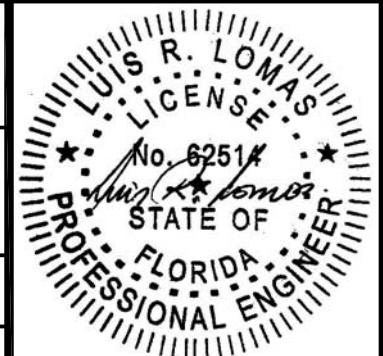
SIGNED: 09/07/2021

PROVIA, LLC.  
2150 STATE ROUTE 39 WEST  
SUGARCREEK, OH 44681

STEEL INSWING GLAZED DOUBLE DOOR  
W/SIDELITE & TRANSOM - IMPACT  
INSTALLATION DETAILS W/FUSION FRAME

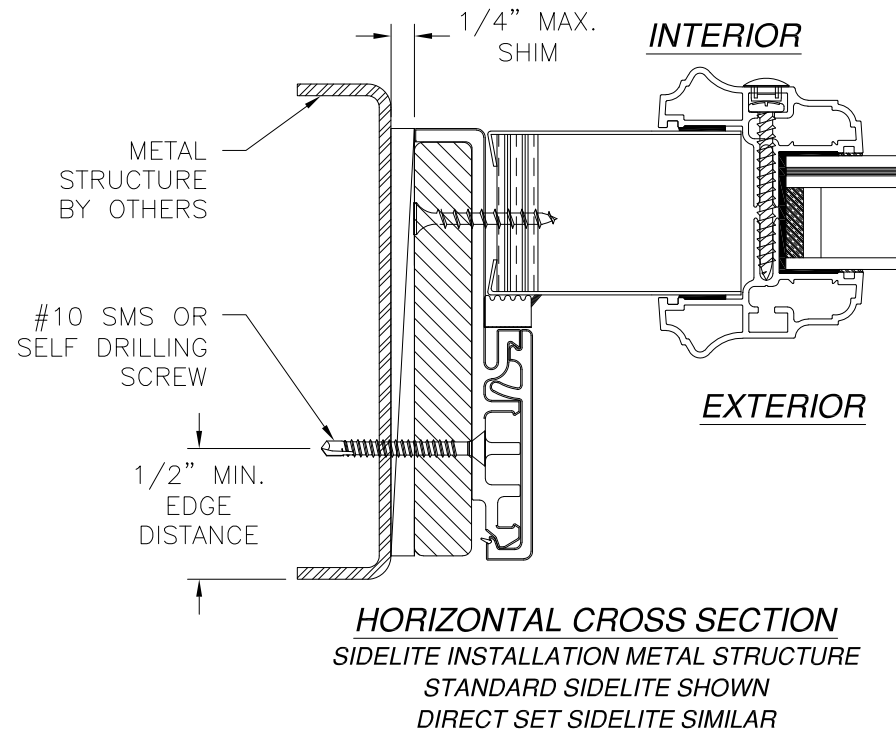
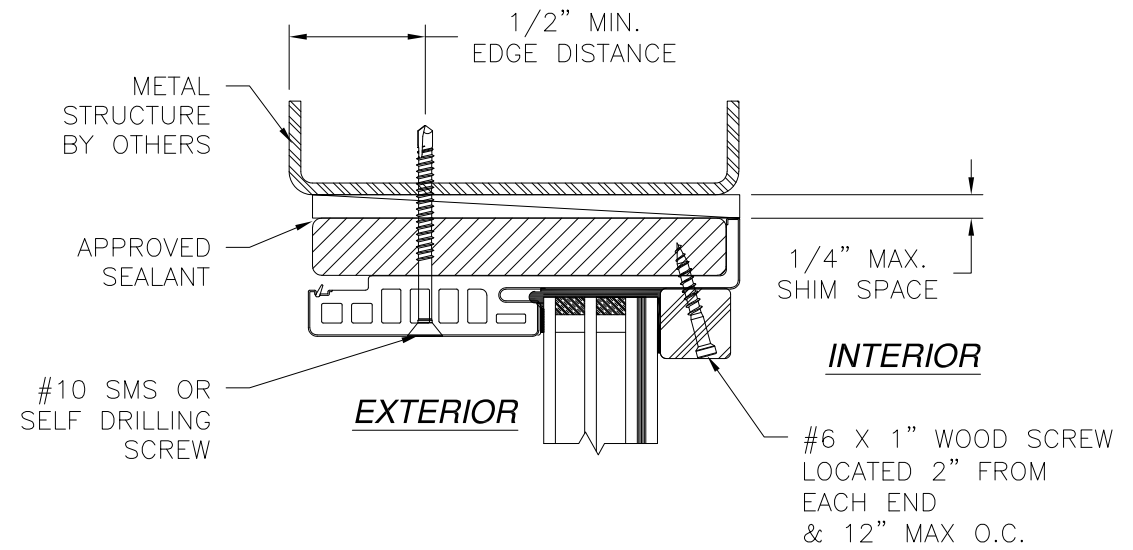
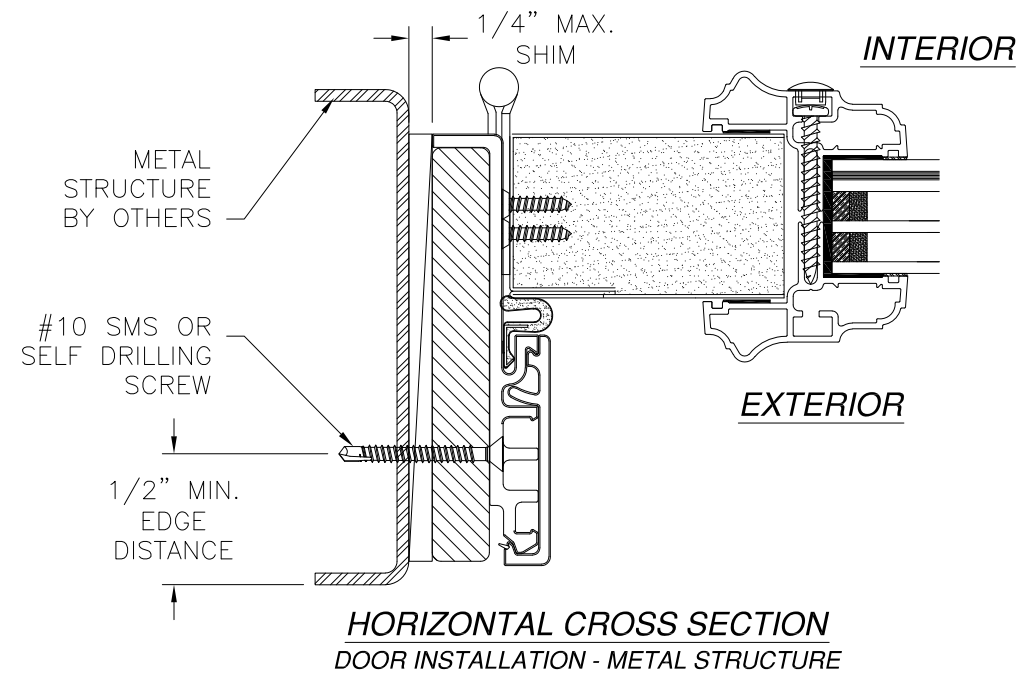
DRAWN: J.L.	DWG NO. 08-01968	REV H
SCALE NTS	DATE 04/23/13	SHEET 9 OF 16

L. ROBERTO LOMAS P.E.  
1432 WOODFORD RD LEWISVILLE, NC 27023  
434-688-0609 rllomas@lrlomaspe.com



Luis R. Lomas P.E.  
FL No.: 62514

REVISIONS			
REV	DESCRIPTION	DATE	APPROVED
H	ADDED MULTILITE PANELS & TRIMS	08/12/2021	R.L.



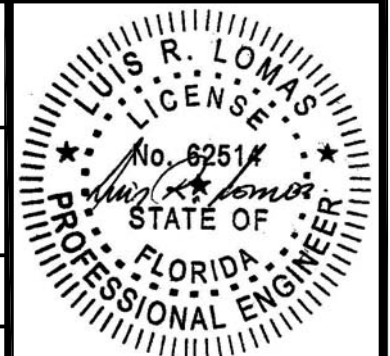
- NOTES:
1. INTERIOR AND EXTERIOR FINISHES, BY OTHERS, NOT SHOWN FOR CLARITY.
  2. PERIMETER AND JOINT SEALANT BY OTHERS TO BE DESIGNED IN ACCORDANCE WITH ASTM E2112

**VERTICAL CROSS SECTION**  
**TRANSOM INSTALLATION METAL STRUCTURE**  
 TRANSOM HEAD SHOWN  
 TRANSOM JAMB SIMILAR

**HORIZONTAL CROSS SECTION**  
**SIDELITE INSTALLATION METAL STRUCTURE**  
 STANDARD SIDELITE SHOWN  
 DIRECT SET SIDELITE SIMILAR

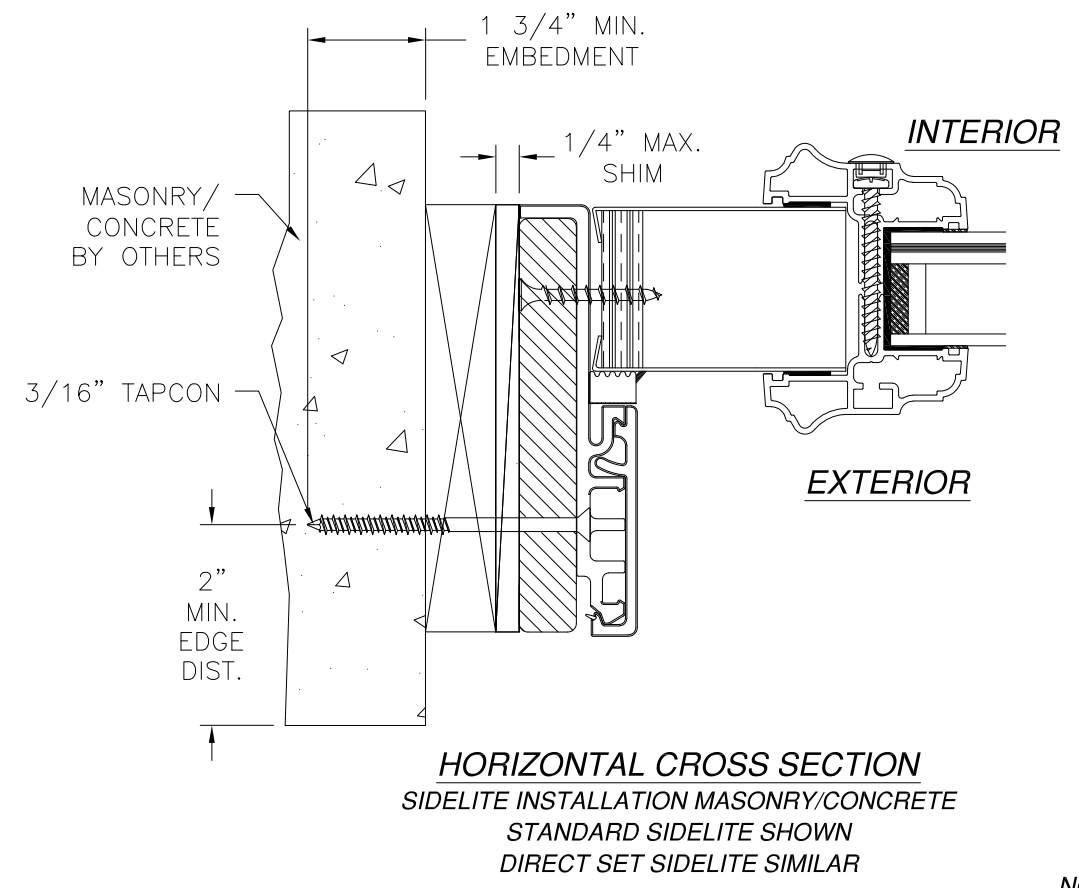
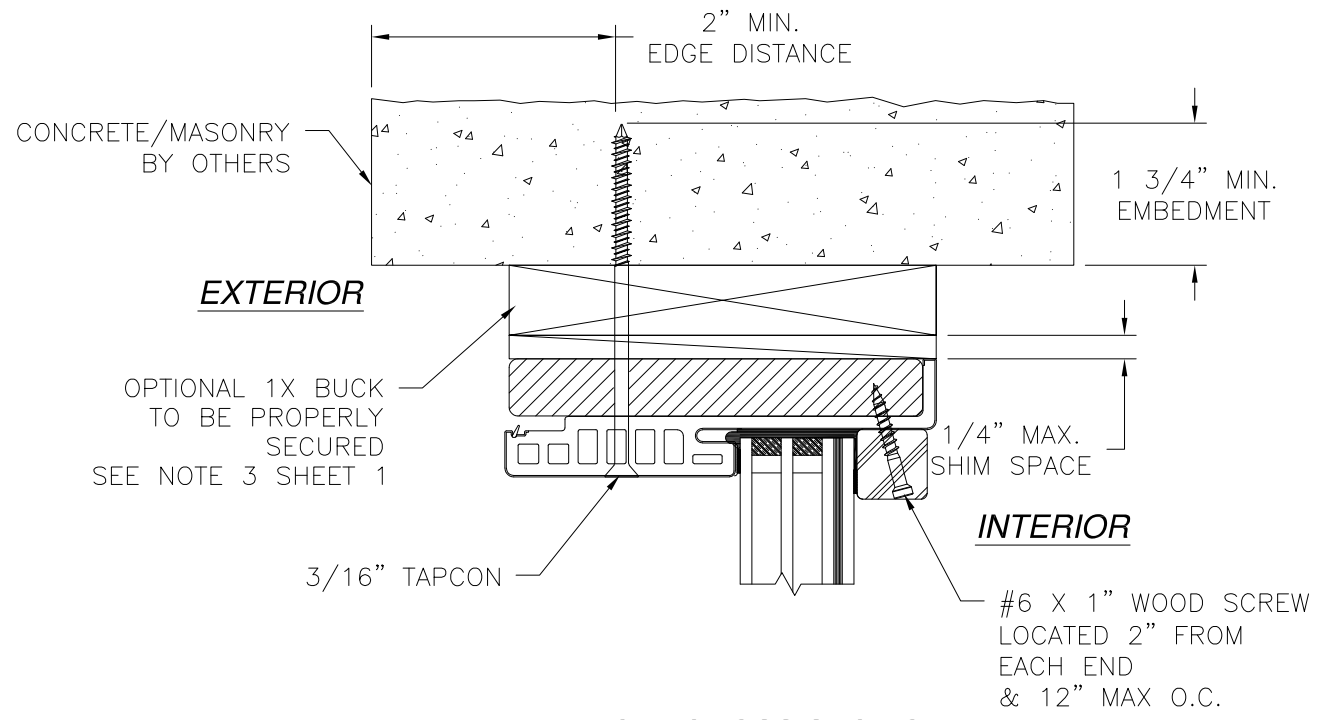
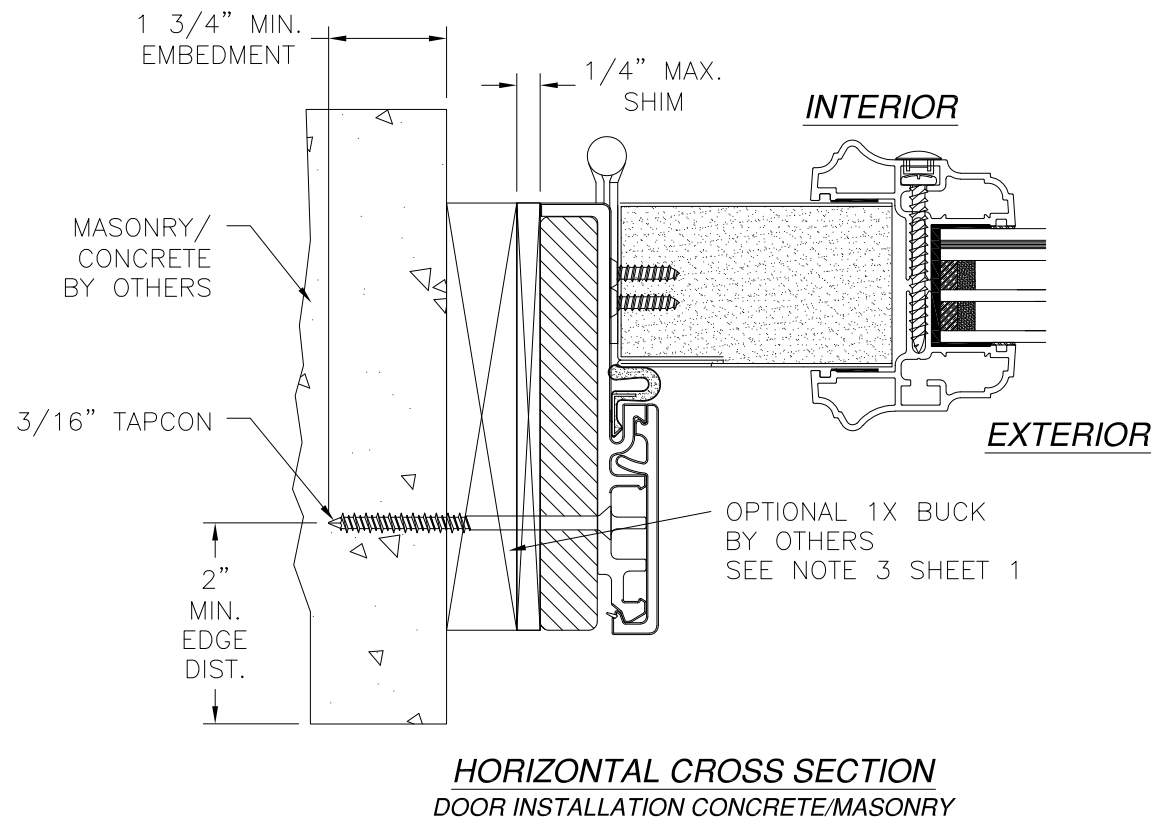
SIGNED: 09/07/2021

PROVIA, LLC. 2150 STATE ROUTE 39 WEST SUGARCREEK, OH 44681		
STEEL INSWING GLAZED DOUBLE DOOR W/SIDELITE & TRANSOM - IMPACT INSTALLATION DETAILS W/FUSION FRAME		
DRAWN: J.L.	DWG NO. 08-01968	REV H
SCALE NTS	DATE 04/23/13	SHEET 10 OF 16
L. ROBERTO LOMAS P.E. 1432 WOODFORD RD LEWISVILLE, NC 27023 434-688-0609 rllomas@rlomaspe.com		



Luis R. Lomas P.E.  
 FL No.: 62514

REVISIONS			
REV	DESCRIPTION	DATE	APPROVED
H	ADDED MULTILITE PANELS & TRIMS	08/12/2021	R.L.



- NOTES:**
1. INTERIOR AND EXTERIOR FINISHES, BY OTHERS, NOT SHOWN FOR CLARITY.
  2. PERIMETER AND JOINT SEALANT BY OTHERS TO BE DESIGNED IN ACCORDANCE WITH ASTM E2112

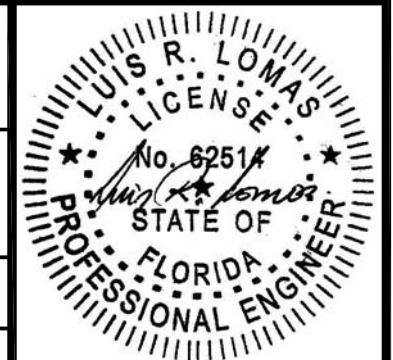
PROVIA, LLC.  
2150 STATE ROUTE 39 WEST  
SUGARCREEK, OH 44681

STEEL INSWING GLAZED DOUBLE DOOR  
W/SIDELITE & TRANSOM - IMPACT  
INSTALLATION DETAILS W/FUSION FRAME

DRAWN: J.L.	DWG NO. 08-01968	REV H
SCALE NTS	DATE 04/23/13	SHEET 11 OF 16

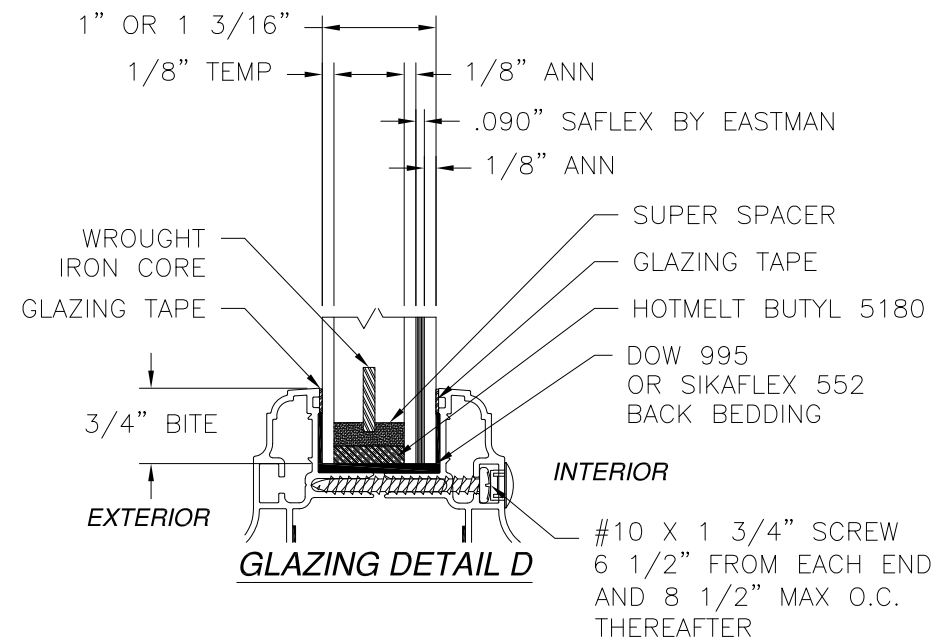
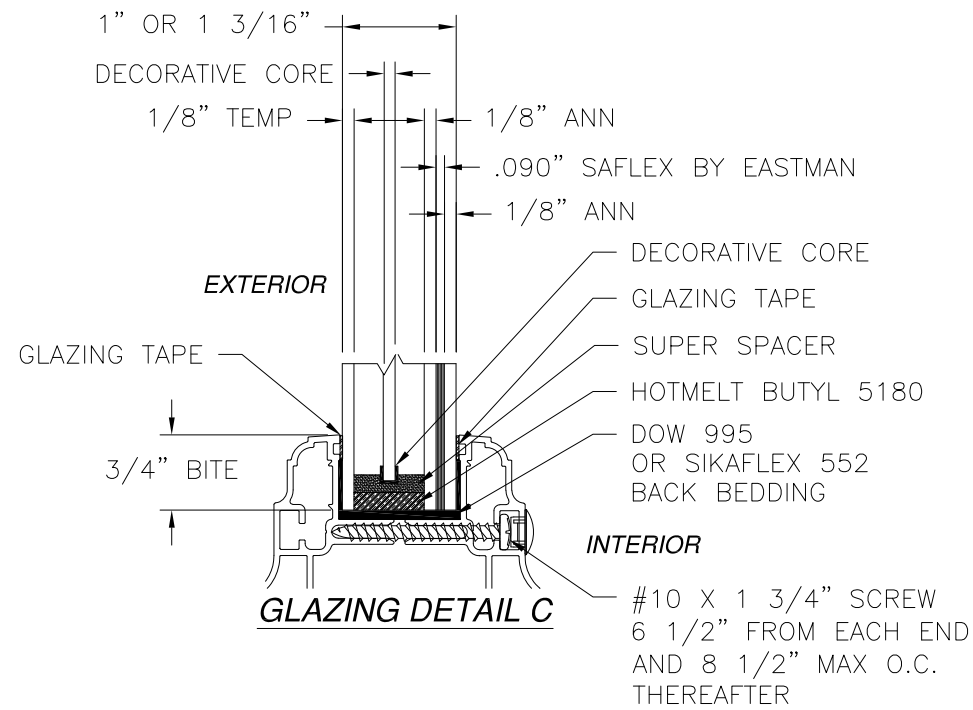
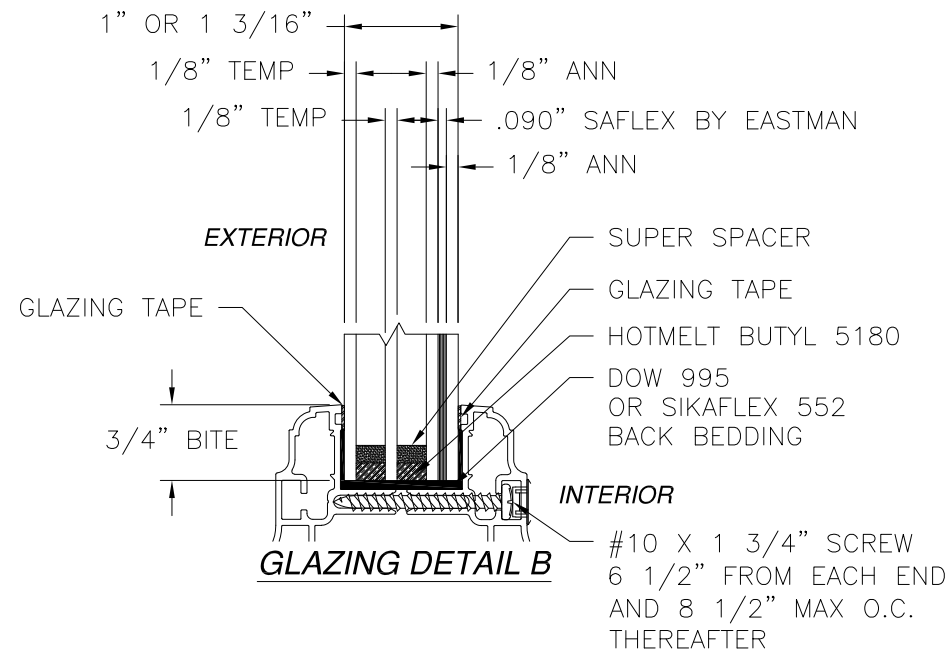
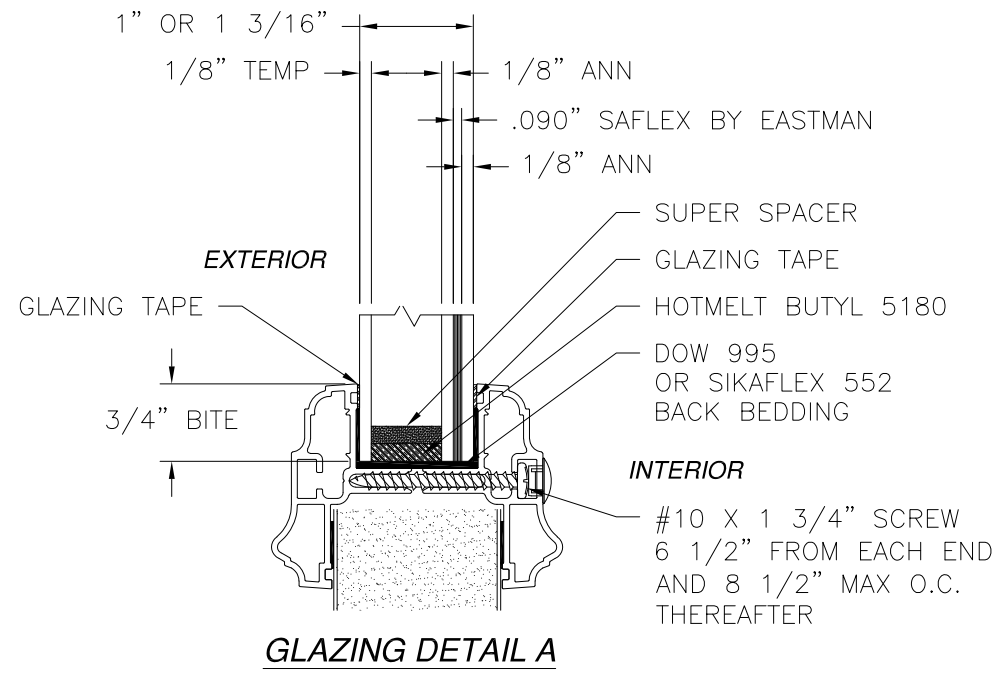
L. ROBERTO LOMAS P.E.  
1432 WOODFORD RD LEWISVILLE, NC 27023  
434-688-0609 rllomas@rlomaspe.com

SIGNED: 09/07/2021



Luis R. Lomas P.E.  
FL No.: 62514

REVISIONS			
REV	DESCRIPTION	DATE	APPROVED
H	ADDED MULTILITE PANELS & TRIMS	08/12/2021	R.L.



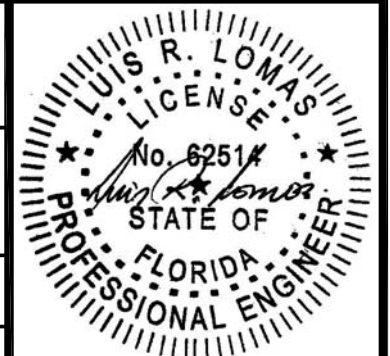
SIGNED: 09/07/2021

PROVIA, LLC.  
 2150 STATE ROUTE 39 WEST  
 SUGARCREEK, OH 44681

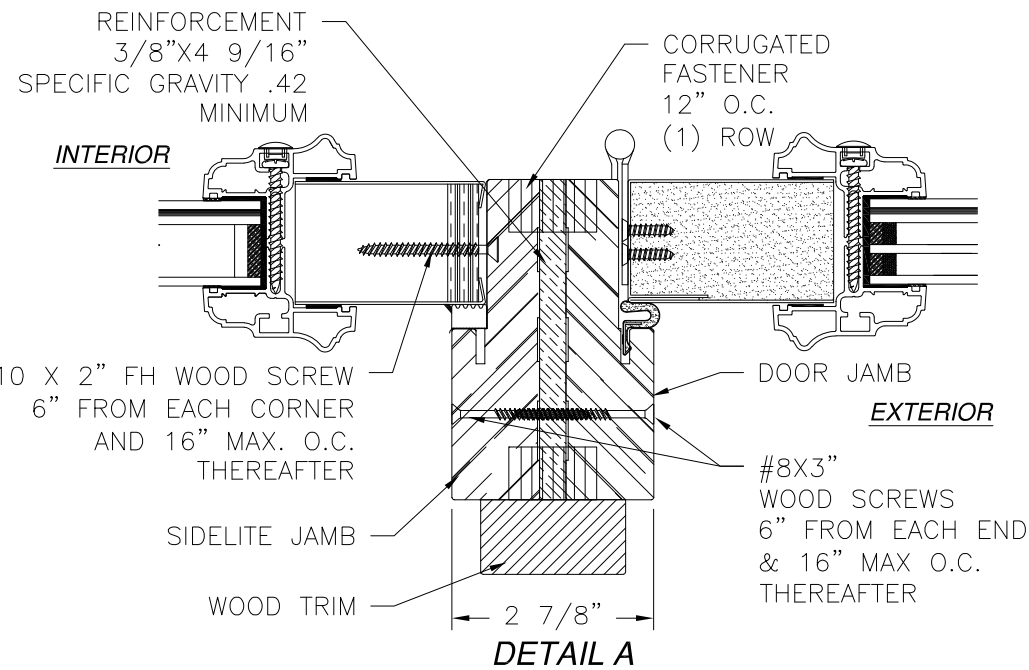
STEEL INSWING GLAZED DOUBLE DOOR  
 W/SIDELITE & TRANSOM - IMPACT  
 GLAZING DETAILS

DRAWN: J.L.	DWG NO. 08-01968	REV H
SCALE NTS	DATE 04/23/13	SHEET 12 OF 16

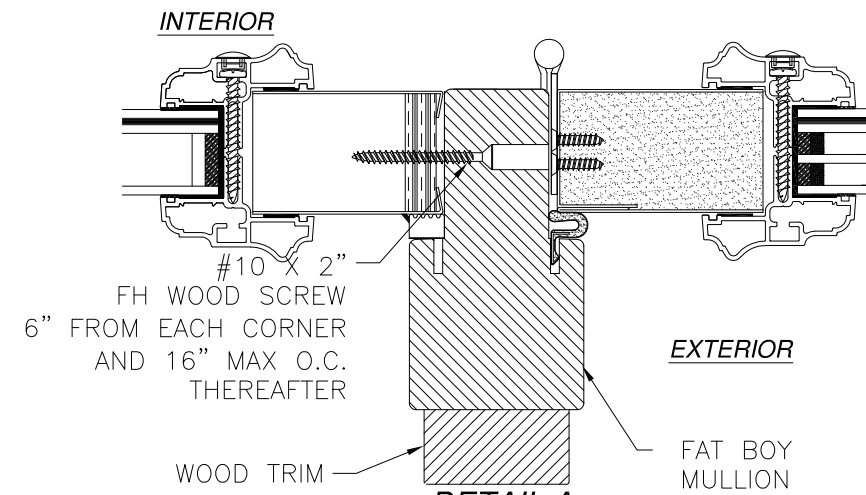
L. ROBERTO LOMAS P.E.  
 1432 WOODFORD RD LEWISVILLE, NC 27023  
 434-688-0609 rllomas@rlomaspe.com



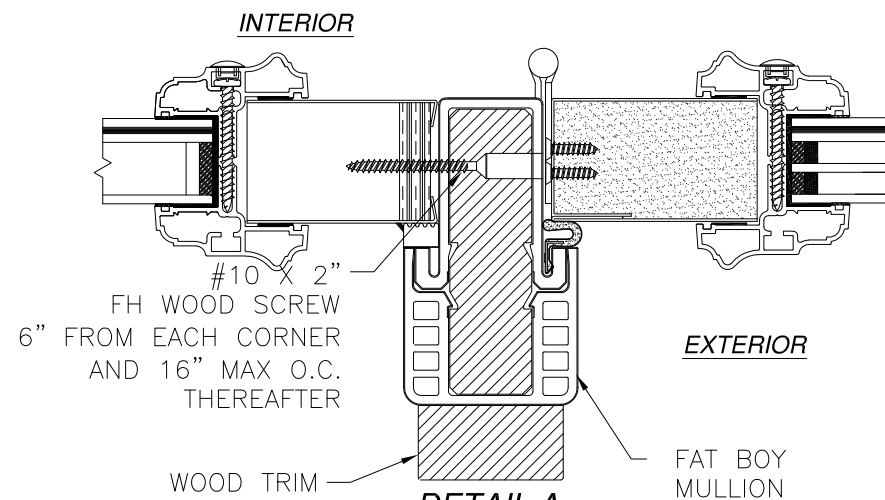
Luis R. Lomas P.E.  
 FL No.: 62514



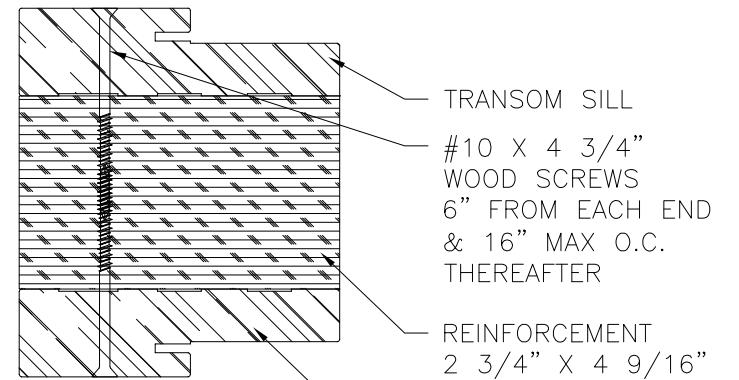
**DETAIL A**  
VERTICAL MULLION  
STANDARD FRAME SHOWN,  
COMPOSITE AND FUSION FRAME SIMILAR



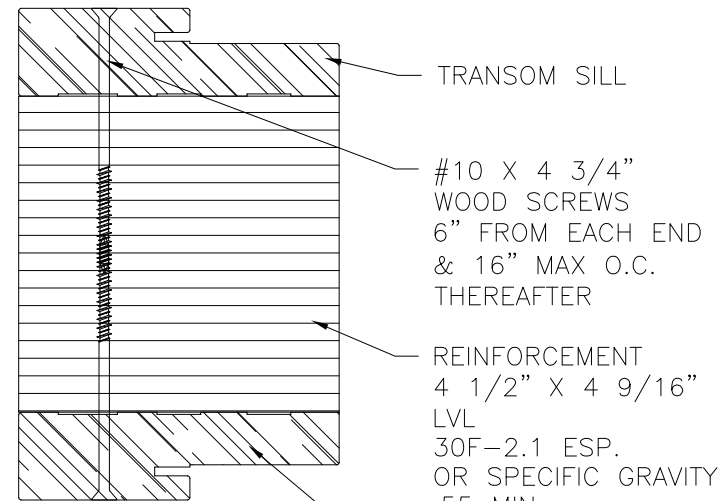
**DETAIL A**  
WITH FAT BOY MULLION



**DETAIL A**  
WITH HYBRID FAT BOY MULLION



**DETAIL B**  
HORIZONTAL MULLION  
STANDARD FRAME SHOWN,  
COMPOSITE AND FUSION FRAME SIMILAR



**DETAIL C**  
HORIZONTAL MULLION  
STANDARD FRAME SHOWN,  
COMPOSITE AND FUSION FRAME SIMILAR

REVISIONS			
REV	DESCRIPTION	DATE	APPROVED
H	ADDED MULTILITE PANELS & TRIMS	08/12/2021	R.L.

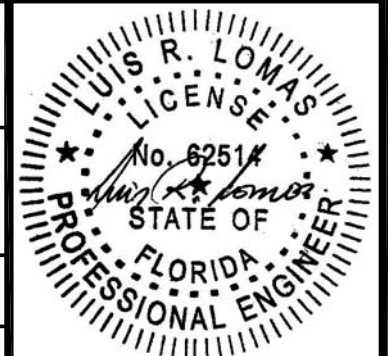
SIGNED: 09/07/2021

**PROVIA, LLC.**  
2150 STATE ROUTE 39 WEST  
SUGARCREEK, OH 44681

STEEL INSWING GLAZED DOUBLE DOOR  
W/SIDELITE & TRANSOM - IMPACT  
MULLION DETAILS

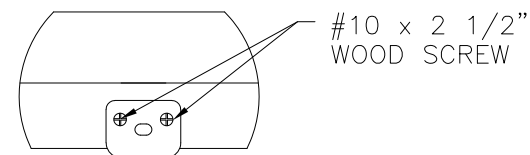
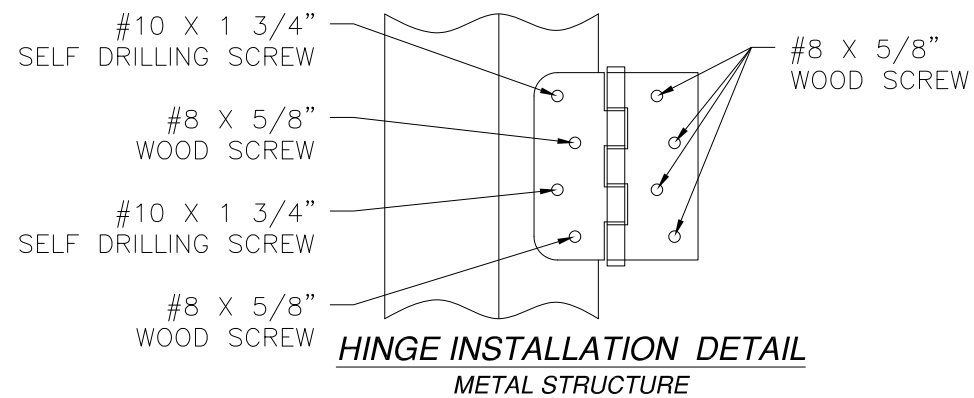
DRAWN: J.L.	DWG NO. 08-01968	REV H
SCALE NTS	DATE 04/23/13	SHEET 13 OF 16

L. ROBERTO LOMAS P.E.  
1432 WOODFORD RD LEWISVILLE, NC 27023  
434-688-0609 rllomas@rlomaspe.com

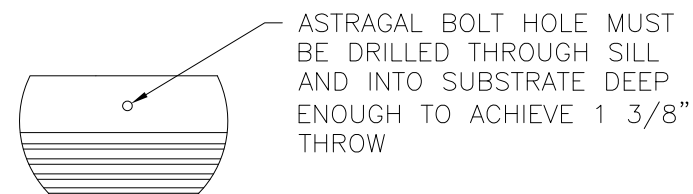
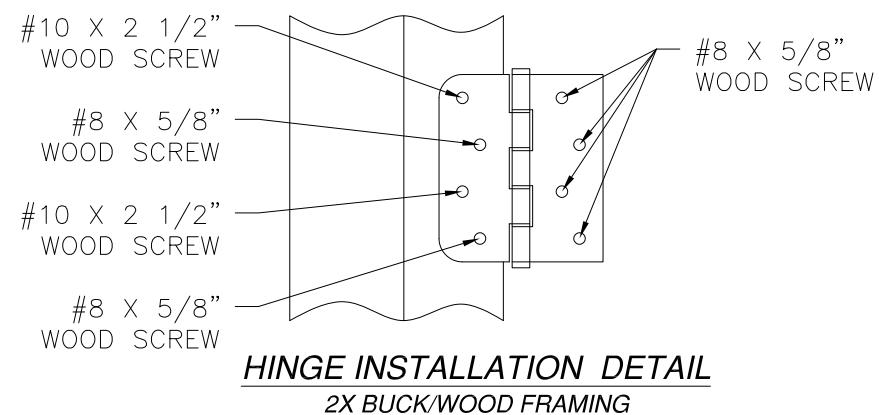


Luis R. Lomas P.E.  
FL No.: 62514

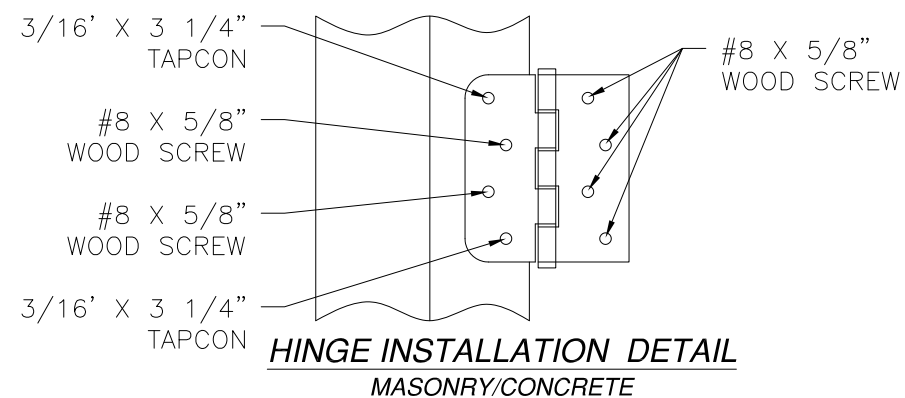
REVISIONS			
REV	DESCRIPTION	DATE	APPROVED
H	ADDED MULTILITE PANELS & TRIMS	08/12/2021	R.L.



**ASTRAGAL HEAD STRIKE DETAIL**  
2X BUCK/WOOD FRAMING

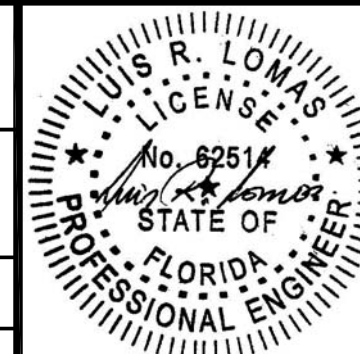


**ASTRAGAL SILL DETAIL**



SIGNED: 09/07/2021

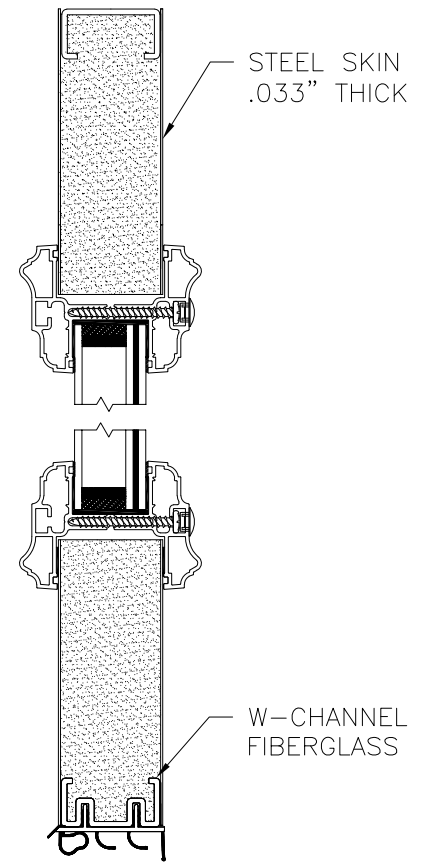
<b>PROVIA, LLC.</b> 2150 STATE ROUTE 39 WEST SUGARCREEK, OH 44681		
STEEL INSWING GLAZED DOUBLE DOOR W/SIDELITE & TRANSOM - IMPACT COMPONENTS DETAILS		
DRAWN: J.L.	DWG NO. 08-01968	REV H
SCALE NTS	DATE 04/23/13	SHEET 14 OF 16
L. ROBERTO LOMAS P.E. 1432 WOODFORD RD LEWISVILLE, NC 27023 434-688-0609 rllomas@rlomaspe.com		



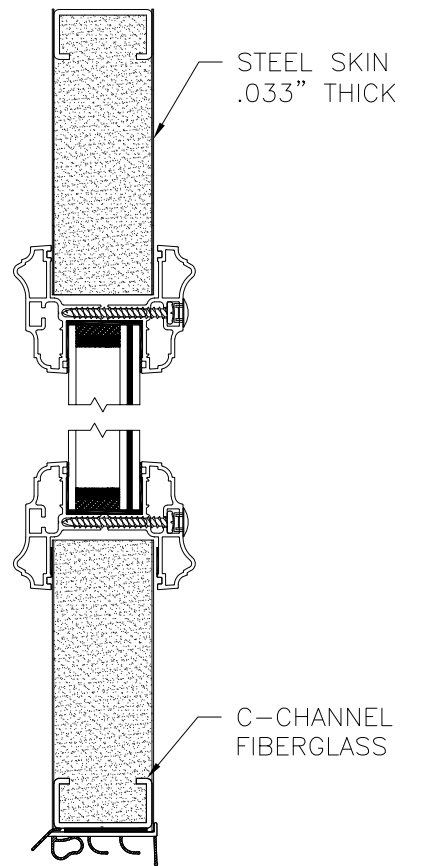
Luis R. Lomas P.E.  
FL No.: 62514

# APPROVED SLABS AND TRIMS

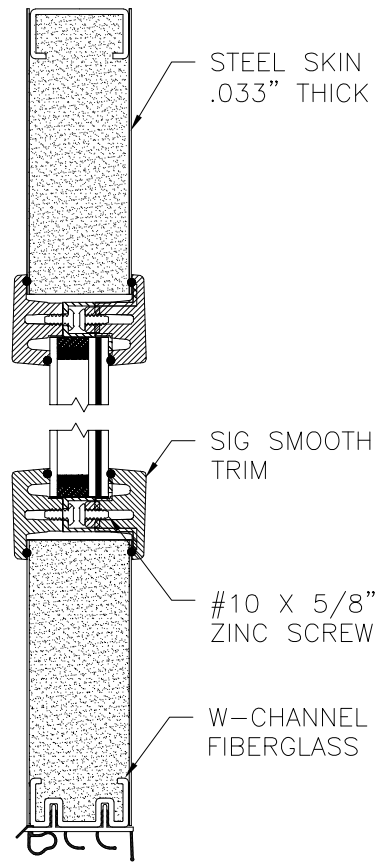
REVISIONS			
REV	DESCRIPTION	DATE	APPROVED
H	ADDED MULTILITE PANELS & TRIMS	08/12/2021	R.L.



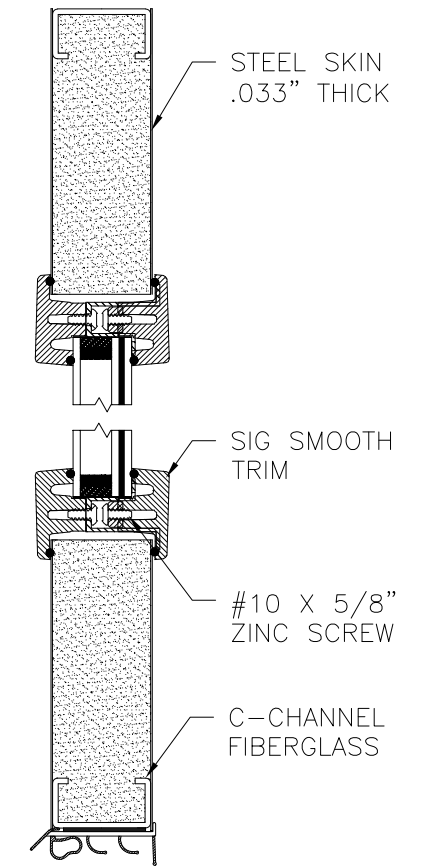
PANEL OPTION 1



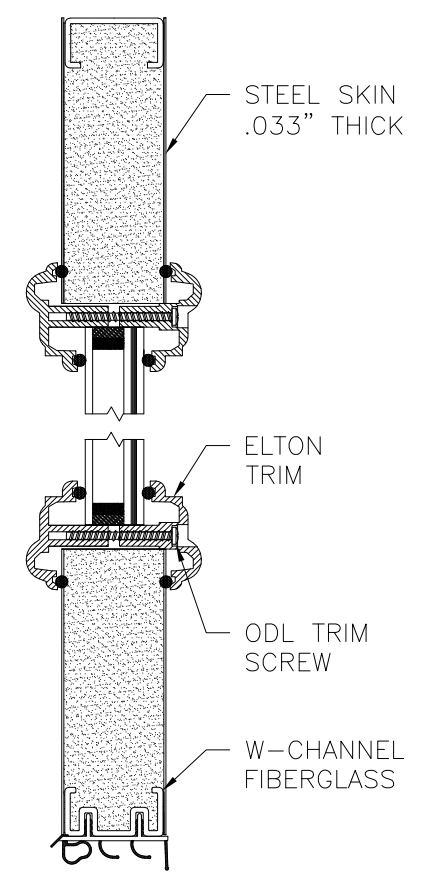
PANEL OPTION 2



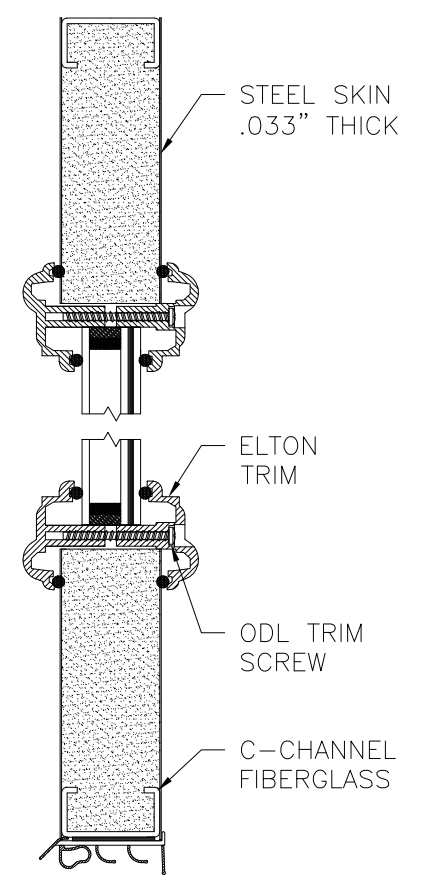
PANEL OPTION 3



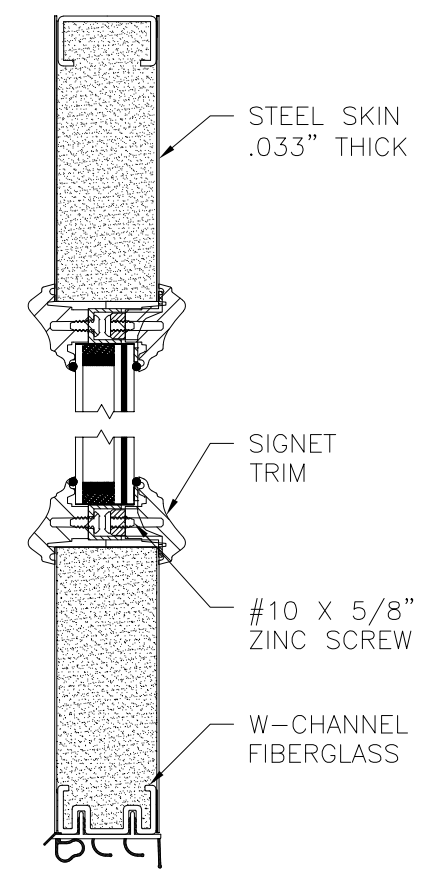
PANEL OPTION 4



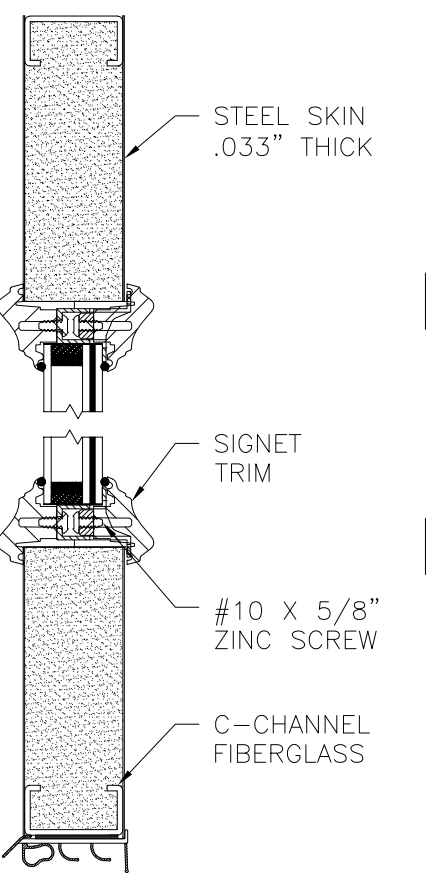
PANEL OPTION 9



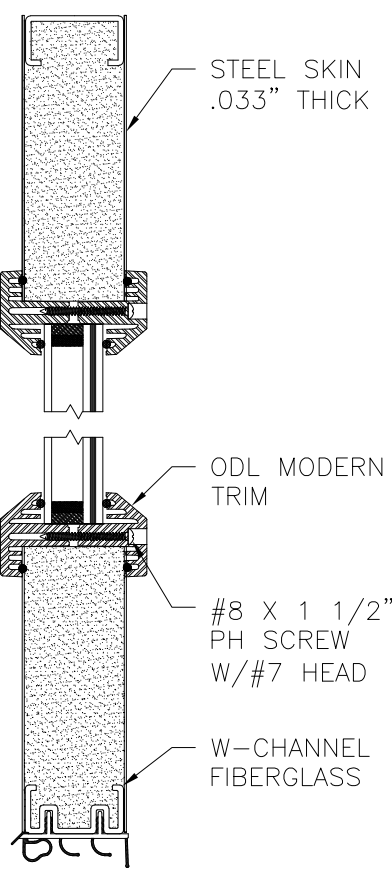
PANEL OPTION 10



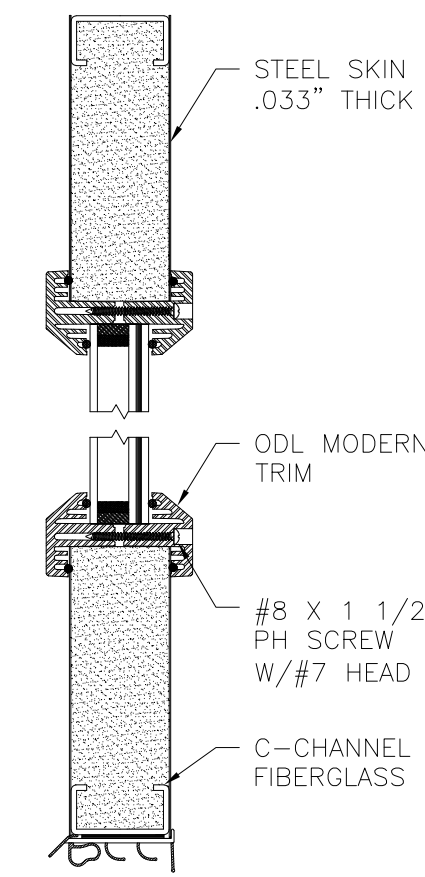
PANEL OPTION 5



PANEL OPTION 6



PANEL OPTION 7



PANEL OPTION 8

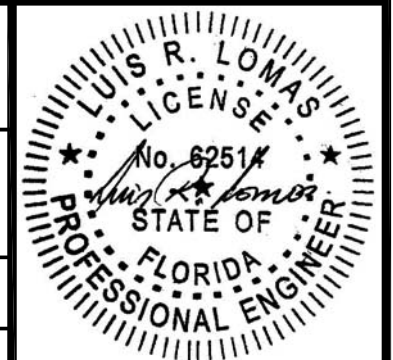
PROVIA, LLC.  
2150 STATE ROUTE 39 WEST  
SUGARCREEK, OH 44681

STEEL INSWING GLAZED DOUBLE DOOR  
W/SIDELITE & TRANSOM - IMPACT  
APPROVED SLABS

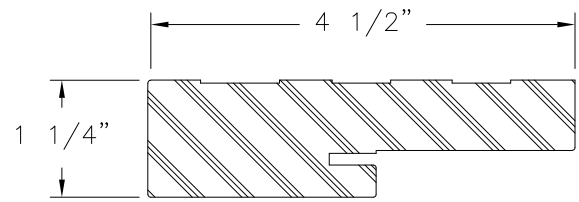
DRAWN: J.L.	DWG NO. 08-01968	REV H
SCALE NTS	DATE 04/23/13	SHEET 15 OF 16

L. ROBERTO LOMAS P.E.  
1432 WOODFORD RD LEWISVILLE, NC 27023  
434-688-0609 rllomas@rlomaspe.com

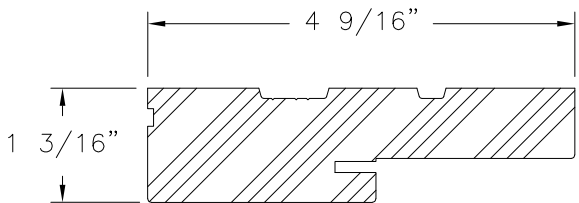
SIGNED: 09/07/2021



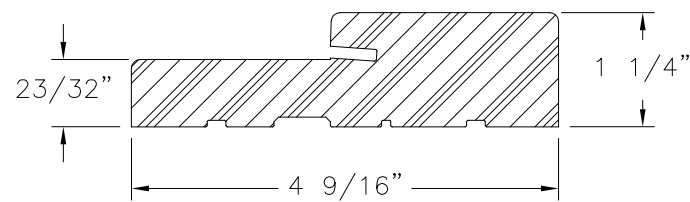
Luis R. Lomas P.E.  
FL No.: 62514



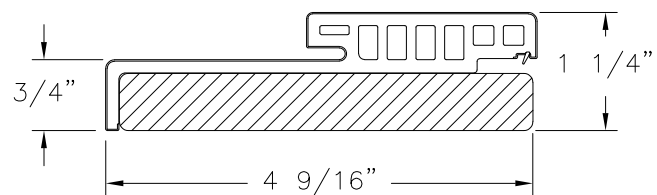
**COMPOSITE FRAME PROFILE**



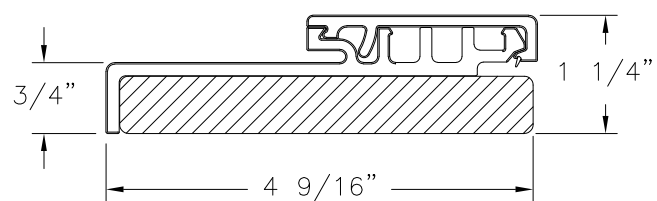
**WOOD FRAME PROFILE**



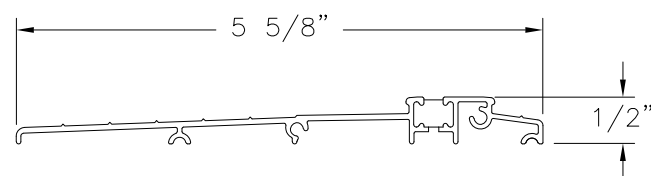
**FRAMESAVER  
COMPOSITE**



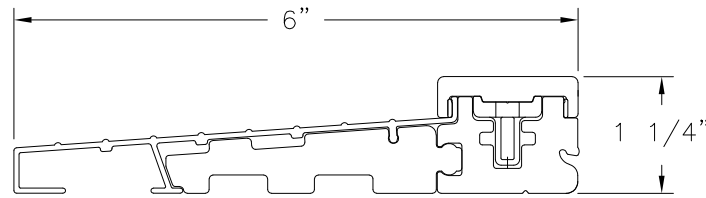
**HYBRID HEAD  
WOOD/COMPOSITE**



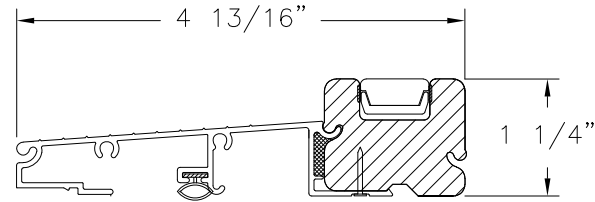
**HYBRID JAMB  
WOOD/COMPOSITE**



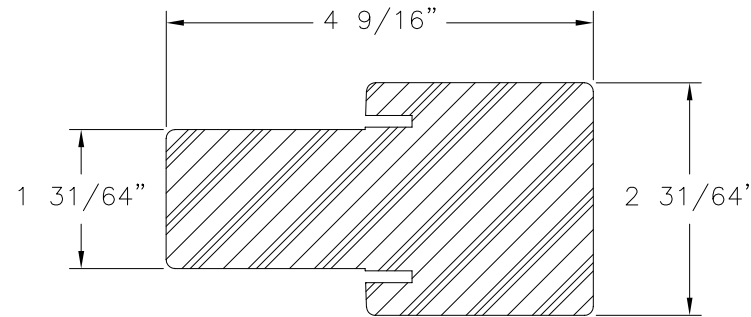
**ADA THRESHOLD**



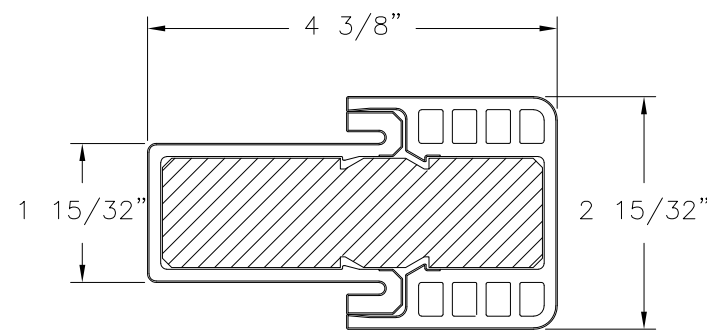
**STANDARD INSWING THRESHOLD**



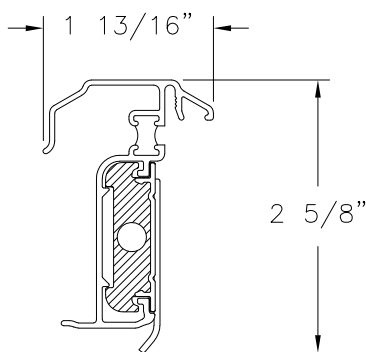
**SAHARA INSWING THRESHOLD**



**FAT BOY MULLION  
COMPOSITE**

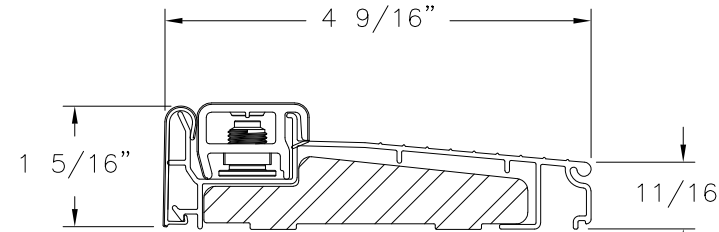


**HYBRID FAT BOY MULLION  
COMPOSITE**

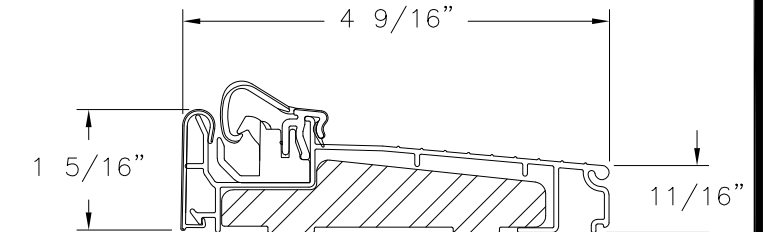


**HURRICANE ASTRAGAL DETAIL**

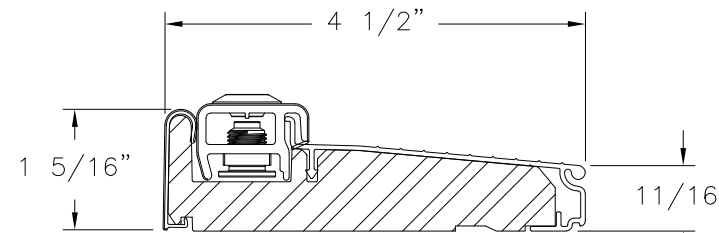
REVISIONS			
REV	DESCRIPTION	DATE	APPROVED
H	ADDED MULTILITE PANELS & TRIMS	08/12/2021	R.L.



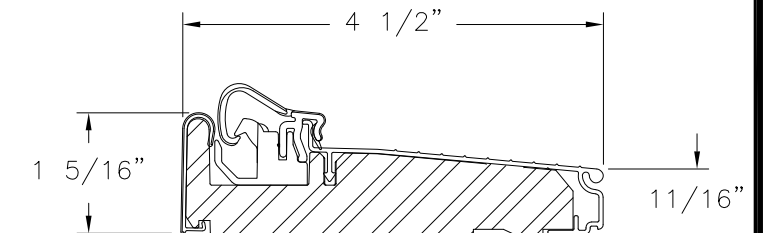
**INSWING SILL ZAIL4565**



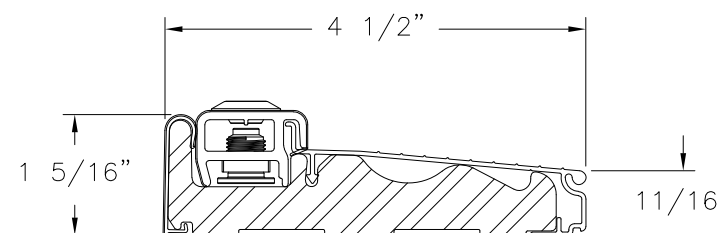
**INSWING SILL ZAACL4565**



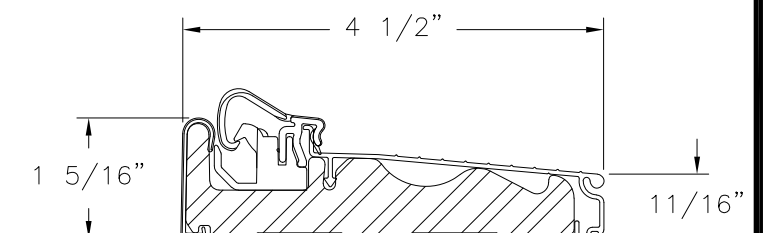
**INSWING SILL ZAI4565F**



**INSWING SILL ZAC4565F**



**INSWING SILL ZAILH4565**



**INSWING SILL ZAACLH4565**

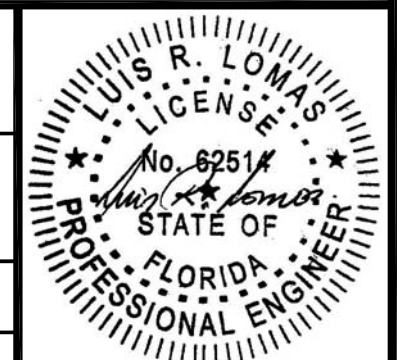
SIGNED: 09/07/2021

PROVIA, LLC.  
2150 STATE ROUTE 39 WEST  
SUGARCREEK, OH 44681

STEEL INSWING GLAZED DOUBLE DOOR  
W/SIDELITE & TRANSOM - IMPACT  
COMPONENTS

DRAWN: J.L.	DWG NO. 08-01968	REV H
SCALE NTS	DATE 04/23/13	SHEET 16 OF 16

L. ROBERTO LOMAS P.E.  
1432 WOODFORD RD LEWISVILLE, NC 27023  
434-688-0609 rllomas@lrlomaspe.com



Luis R. Lomas P.E.  
FL No.: 62514