

REVISIONS			
REV	DESCRIPTION	DATE	APPROVED
H	ADDED MULTILITE PANELS & TRIMS	08/17/2021	R.L.

NOTES:

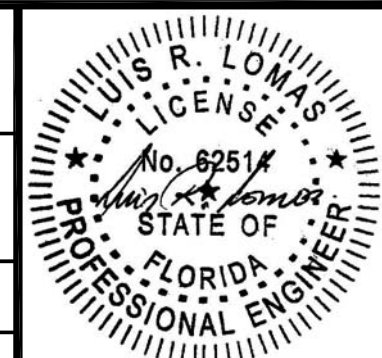
1. THE PRODUCT SHOWN HEREIN IS DESIGNED AND MANUFACTURED TO COMPLY WITH REQUIREMENTS OF THE FLORIDA BUILDING CODE.
2. WOOD FRAMING, METAL STRUCTURE AND MASONRY OPENING TO BE DESIGNED AND ANCHORED TO PROPERLY TRANSFER ALL LOADS TO STRUCTURE. FRAMING AND MASONRY OPENING IS THE RESPONSIBILITY OF THE ARCHITECT OR ENGINEER OF RECORD.
3. 1X BUCK OVER MASONRY/CONCRETE IS OPTIONAL. WHERE 1X BUCK IS NOT USED DISSIMILAR MATERIALS MUST BE SEPARATED WITH APPROVED COATING OR MEMBRANE. SELECTION OF COATING OR MEMBRANE IS THE RESPONSIBILITY OF THE ARCHITECT OR ENGINEER OF RECORD.
4. ALLOWABLE STRESS INCREASE OF 1/3 WAS NOT USED IN THE DESIGN OF THE PRODUCT SHOWN HEREIN. WIND LOAD DURATION FACTOR Cd=1.6 WAS USED FOR WOOD ANCHOR CALCULATIONS.
5. FRAME MATERIAL: WOOD WITH G=.46 MINIMUM SPECIFIC GRAVITY, OR COMPOSITE, OR FRAMESAVER, OR FUSION FRAME.
DOOR SKIN MATERIAL: STEEL .033" THICK (MINIMUM)
SIDELITE SKIN MATERIAL: STEEL .022" THICK (MINIMUM)
6. UNITS MUST BE GLAZED PER ASTM E1300, SEE SHEET 10 FOR GLASS DETAILS.
7. APPROVED IMPACT PROTECTIVE SYSTEM IS NOT REQUIRED FOR THIS PRODUCT IN WIND BORNE DEBRIS REGIONS UP TO WIND ZONE 3.
8. SHIM AS REQUIRED AT EACH INSTALLATION ANCHOR WITH LOAD BEARING SHIM. SHIM WHERE SPACE OF 1/16" OR GREATER OCCURS. MAXIMUM ALLOWABLE SHIM STACK TO BE 1/4".
9. FOR ANCHORING INTO WOOD FRAMING OR 2X BUCK USE #10 WOOD SCREWS WITH SUFFICIENT LENGTH TO ACHIEVE A 1 3/8" MINIMUM EMBEDMENT INTO SUBSTRATE. LOCATE ANCHORS AS SHOWN IN ELEVATIONS AND INSTALLATION DETAILS.
10. FOR ANCHORING INTO MASONRY/CONCRETE USE 3/16" TAPCONS WITH SUFFICIENT LENGTH TO ACHIEVE A 1 3/4" MINIMUM EMBEDMENT INTO SUBSTRATE WITH 2" MINIMUM EDGE DISTANCE. LOCATE ANCHORS AS SHOWN IN ELEVATIONS AND INSTALLATION DETAILS.
11. FOR ANCHORING INTO METAL STRUCTURE USE #10 SMS OR SELF DRILLING SCREWS WITH SUFFICIENT LENGTH TO ACHIEVE 3 THREADS MINIMUM BEYOND STRUCTURE INTERIOR WALL. LOCATE ANCHORS AS SHOWN IN ELEVATIONS AND INSTALLATION DETAILS.

12. ALL FASTENERS TO BE CORROSION RESISTANT.
13. INSTALLATION ANCHORS SHALL BE INSTALLED IN ACCORDANCE WITH ANCHOR MANUFACTURER'S INSTALLATION INSTRUCTIONS AND ANCHORS SHALL NOT BE USED IN SUBSTRATES WITH STRENGTHS LESS THAN THE MINIMUM STRENGTH SPECIFIED BELOW:
 - A. WOOD – MINIMUM SPECIFIC GRAVITY OF G=0.42
 - B. CONCRETE – MINIMUM COMPRESSIVE STRENGTH OF 3,192 PSI.
 - C. MASONRY – GROUT FILLED STRENGTH CONFORMANCE TO ASTM C-90, GRADE N, TYPE 1 (OR GREATER).
 - D. METAL STRUCTURE: STEEL 18GA, 33KSI OR ALUMINUM 6063-T5 .048" THICK MINIMUM
14. DOOR CONSTRUCTION MAYBE CONTINUOUS HEAD FRAME AND CONTINUOUS THRESHOLD OR BOX CONSTRUCTION.

SIGNED: 09/07/2021

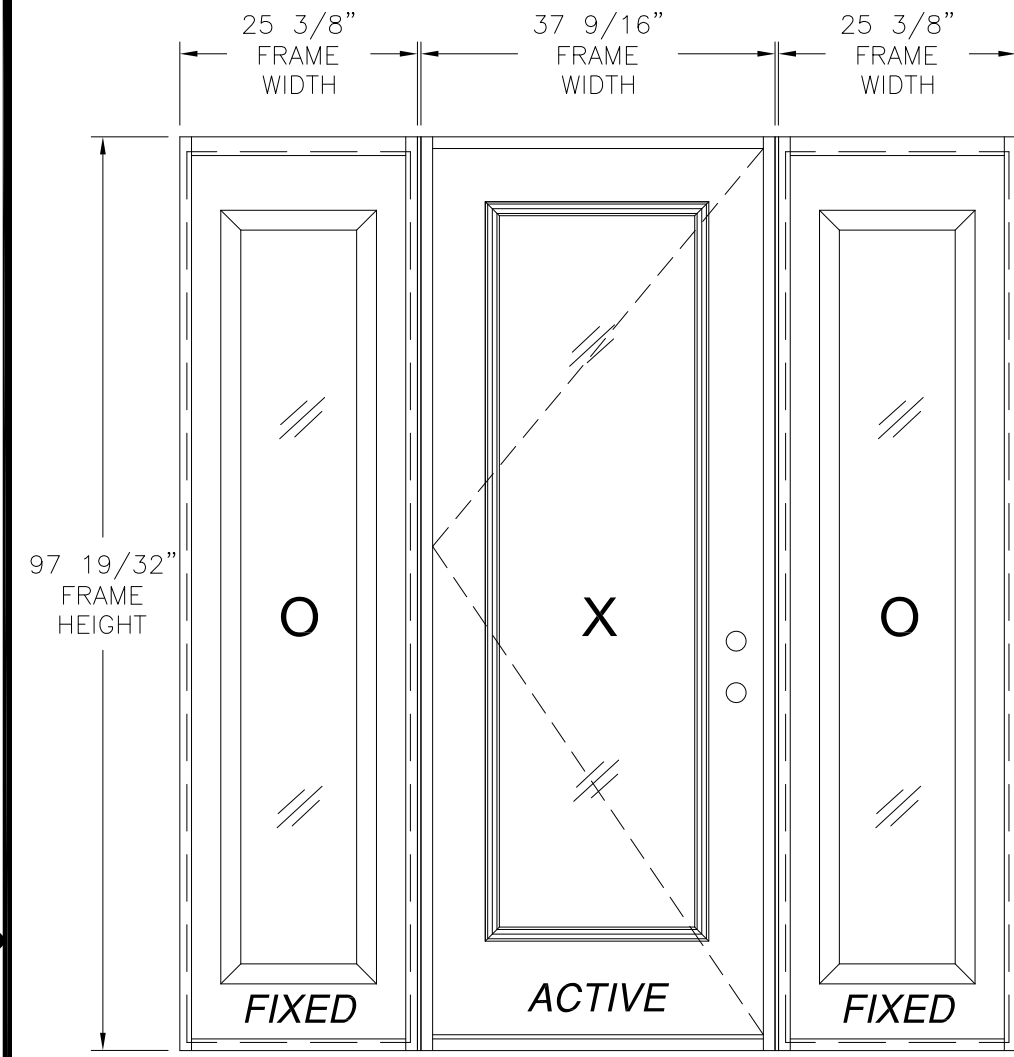
TABLE OF CONTENTS	
SHEET NO.	DESCRIPTION
1	NOTES
2	ELEVATIONS AND APPROVED CONFIGURATIONS
3	ANCHORING LAYOUTS
4 – 9	INSTALLATION DETAILS
10	GLAZING AND HINGES DETAILS
11 – 13	APPROVED SLABS, MULLION DETAILS AND COMPONENTS

PROVIA, LLC. 2150 STATE ROUTE 39 WEST SUGARCREEK, OH 44681		
STEEL OUTSWING GLAZED SINGLE DOOR W/SIDELITES – IMPACT NOTES		
DRAWN: J.L.	DWG NO. 08-02019	REV H
SCALE NTS	DATE 05/10/13	SHEET 1 OF 13
L. ROBERTO LOMAS P.E. 1432 WOODFORD RD LEWISVILLE, NC 27023 434-688-0609 rllomas@rlomaspe.com		



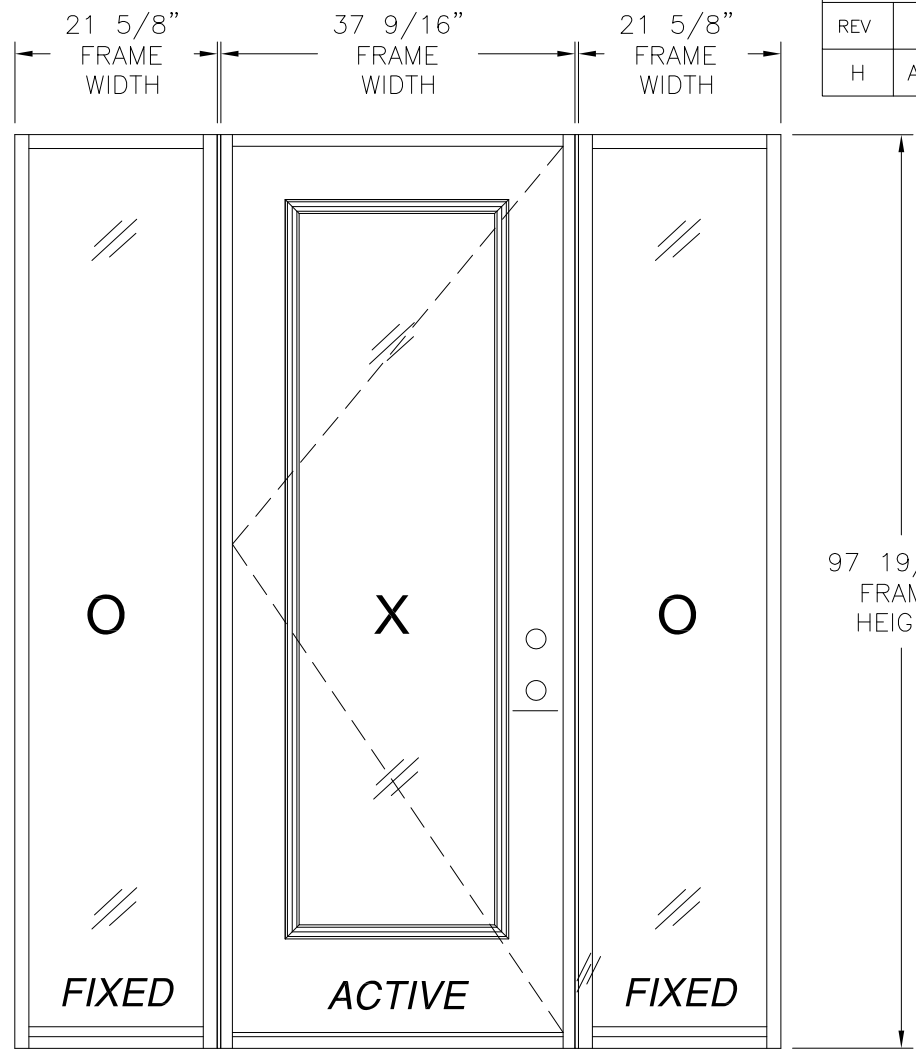
Luis R. Lomas P.E.
FL No.: 62514

REVISIONS			
REV	DESCRIPTION	DATE	APPROVED
H	ADDED MULTILITE PANELS & TRIMS	08/17/2021	R.L.



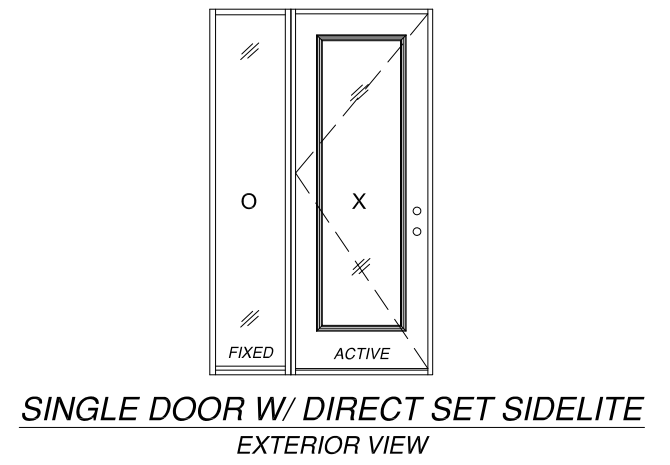
3/8" MULLION MINIMUM
SEE NOTES 1 AND 2
THIS SHEET
AND MULLION DETAIL
SHEET 11

SINGLE DOOR W/ STD SIDELITES
EXTERIOR VIEW

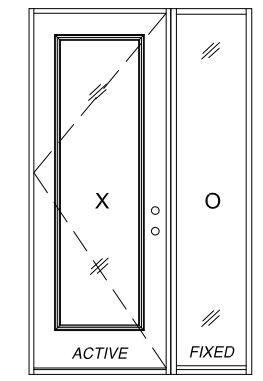


3/8" MULLION MINIMUM
SEE NOTES 1 AND 2
THIS SHEET
AND MULLION DETAIL
SHEET 11

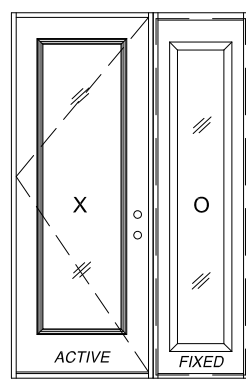
SINGLE DOOR W/ DIRECT SET SIDELITES
EXTERIOR VIEW



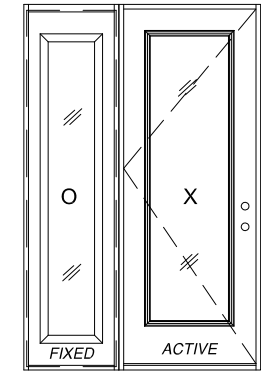
SINGLE DOOR W/ DIRECT SET SIDELITE
EXTERIOR VIEW



SINGLE DOOR W/ DIRECT SET SIDELITE
EXTERIOR VIEW



SINGLE DOOR W/ STD SIDELITE
EXTERIOR VIEW



SINGLE DOOR W/ STD SIDELITE
EXTERIOR VIEW

DESIGN PRESSURE RATING	IMPACT RATING
±55.0PSF	LARGE MISSILE IMPACT

MISSILE LEVEL D, WIND ZONE 3
35 3/4" x 94 15/16" PANEL SIZE SHOWN. OTHER SIZES ARE APPROVED
AS LONG AS INDIVIDUAL PANEL AREA DOES NOT EXCEED 23.56 FT²

- NOTES:
1. MAXIMUM VERTICAL MULLION BUILD UP 7".
 2. IF SIDELITE WIDTH IS 16" OR LESS NO VERTICAL MULLION IS REQUIRED.

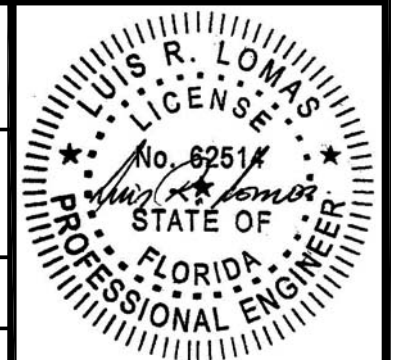
PROVIA, LLC.
2150 STATE ROUTE 39 WEST
SUGARCREEK, OH 44681

STEEL OUTSWING GLAZED SINGLE DOOR
W/SIDELITES - IMPACT
ELEVATION AND APPROVED CONFIGURATIONS

DRAWN: J.L.	DWG NO. 08-02019	REV H
SCALE NTS	DATE 05/10/13	SHEET 2 OF 13

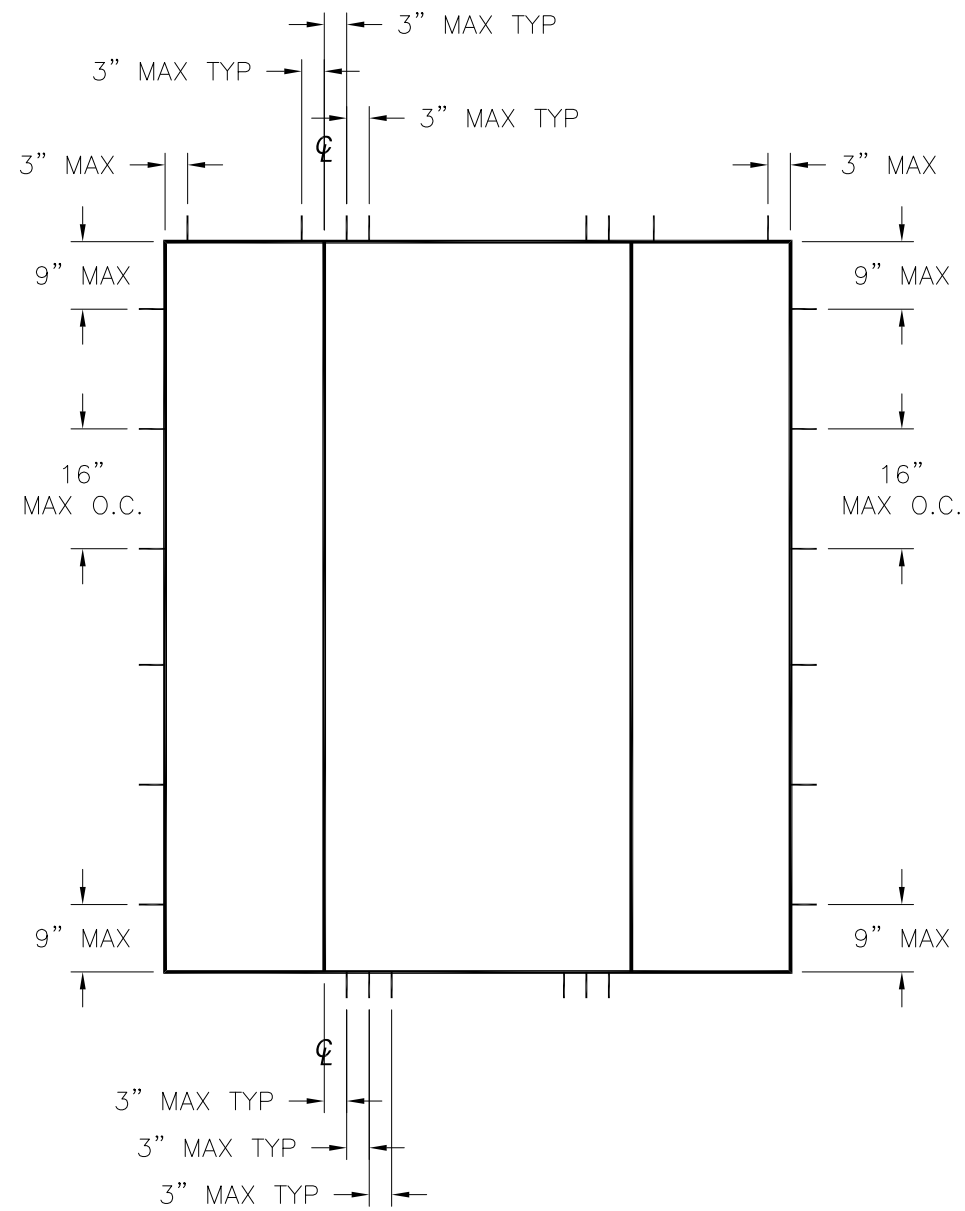
L. ROBERTO LOMAS P.E.
1432 WOODFORD RD LEWISVILLE, NC 27023
434-688-0609 rllomas@rlomaspe.com

SIGNED: 09/07/2021

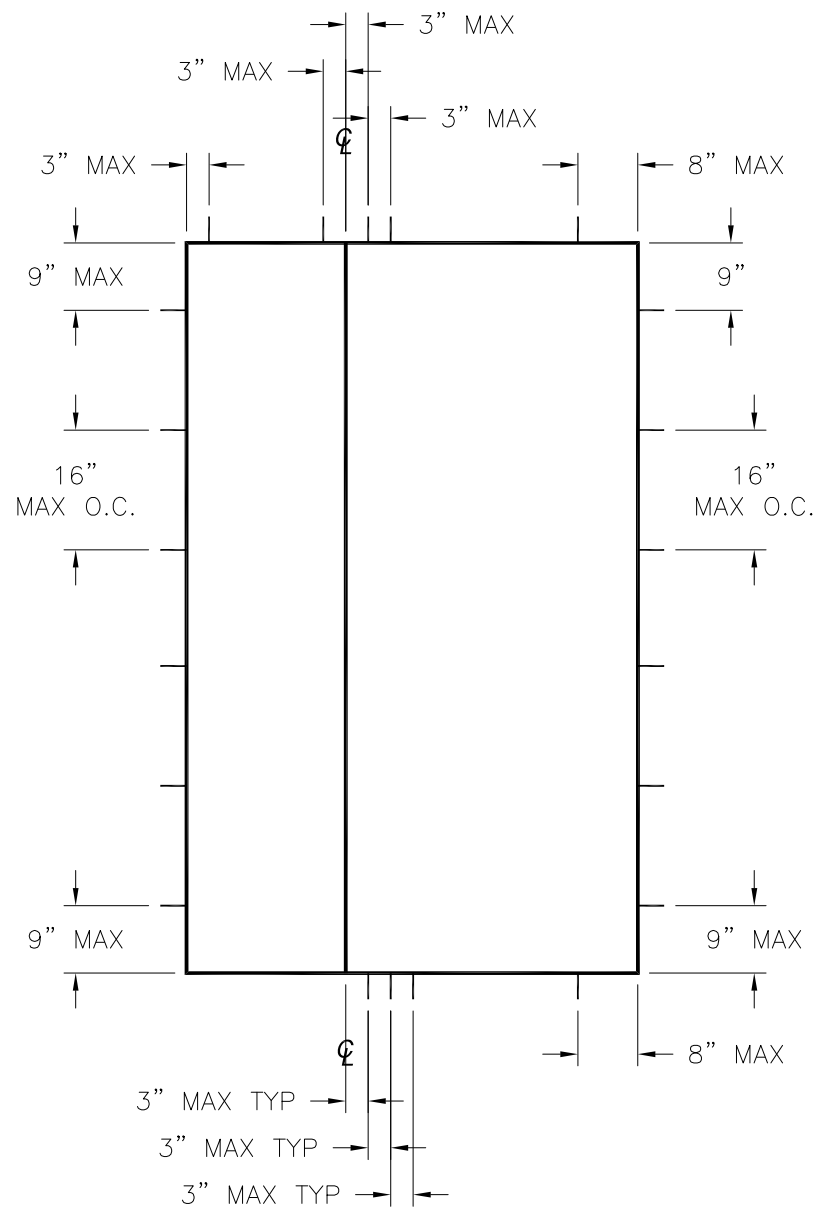


Luis R. Lomas P.E.
FL No.: 62514

REVISIONS			
REV	DESCRIPTION	DATE	APPROVED
H	ADDED MULTILITE PANELS & TRIMS	08/17/2021	R.L.

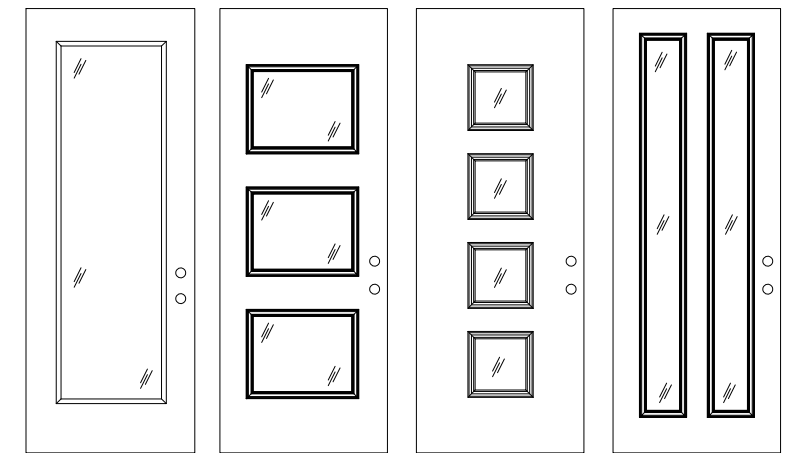


SINGLE IMPACT - COMPOSITE/WOOD FRAME



SINGLE W/SIDELITE

APPROVED LITE CONFIGURATIONS



FULL LITE 3 LITE 4 LITE 2 LITE
 LITE CONFIGURATIONS SHOWN ARE FOR REFERENCE ONLY.
 MULTIPLE LITE CONFIGURATIONS ARE APPROVED AS LONG AS
 LITE SIZE DOES NOT EXCEED 11.1 FT²

HARDWARE SCHEDULE	
A.	F-SERIES LOCK ASSEMBLY DOOR KNOB BY SCHLAGE.
B.	B-SERIES DEADBOLT ASSEMBLY BY SCHLAGE.
C.	F-SERIES DEADBOLT ASSEMBLY BY SCHLAGE.
D.	RESIDENTIAL GRADE DOOR HANDLE ASSEMBLY BY EMTEK (ALTERNATE).
E.	MULTI-POINT LOCK HANDLE ASSEMBLY BY TRILENNIUM (ALTERNATE).
F.	(3) 4" x 4" BALL BEARING HINGES BY PENROD.
G.	(3) 4" x 4" SPRING BOMMER HINGES BY PENROD. (ALTERNATE)

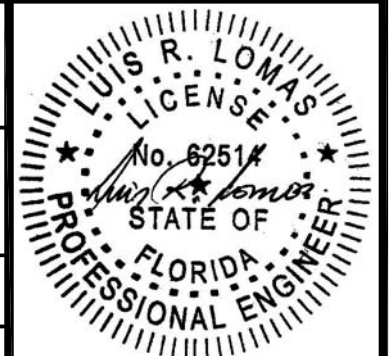
PROVIA, LLC.
 2150 STATE ROUTE 39 WEST
 SUGARCREEK, OH 44681

**STEEL OUTSWING GLAZED SINGLE DOOR
 W/SIDELITES - IMPACT
 ANCHORING LAYOUTS**

DRAWN: J.L.	DWG NO. 08-02019	REV H
SCALE NTS	DATE 05/10/13	SHEET 3 OF 13

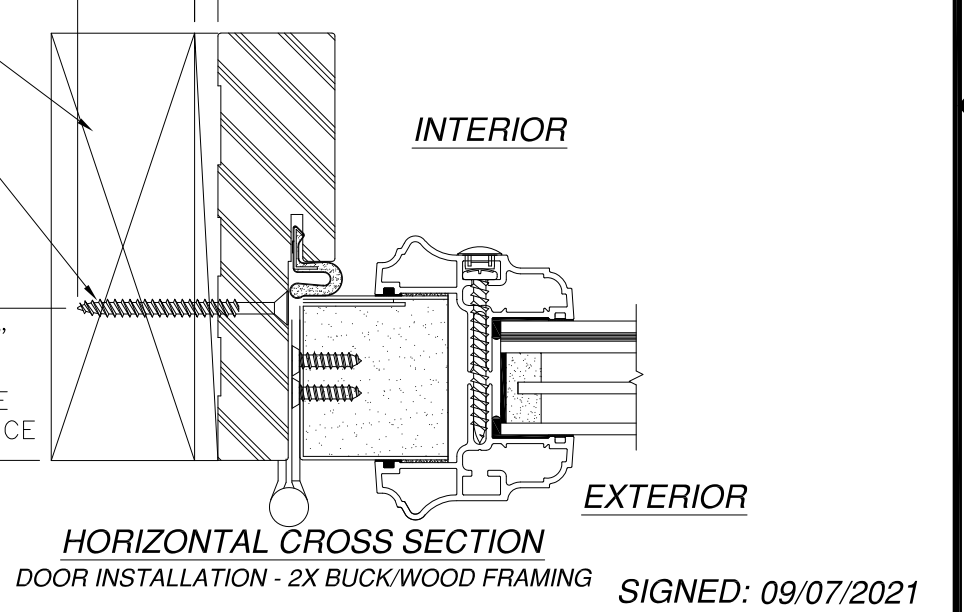
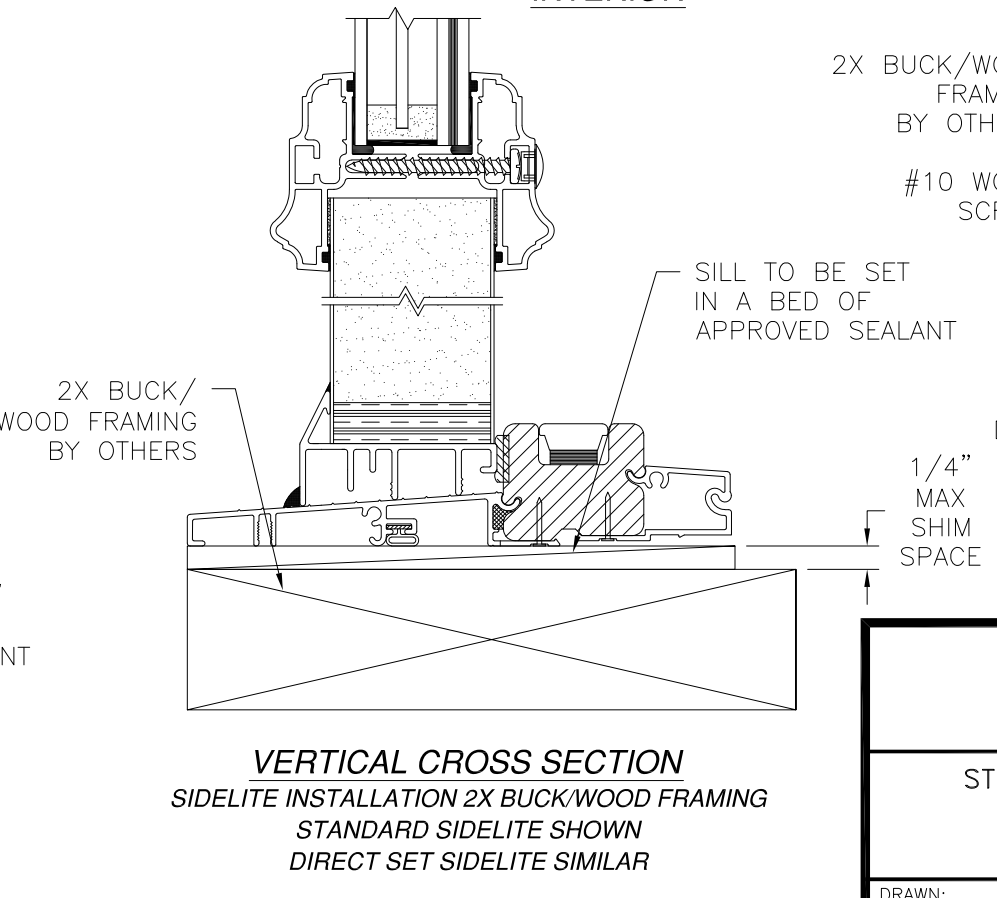
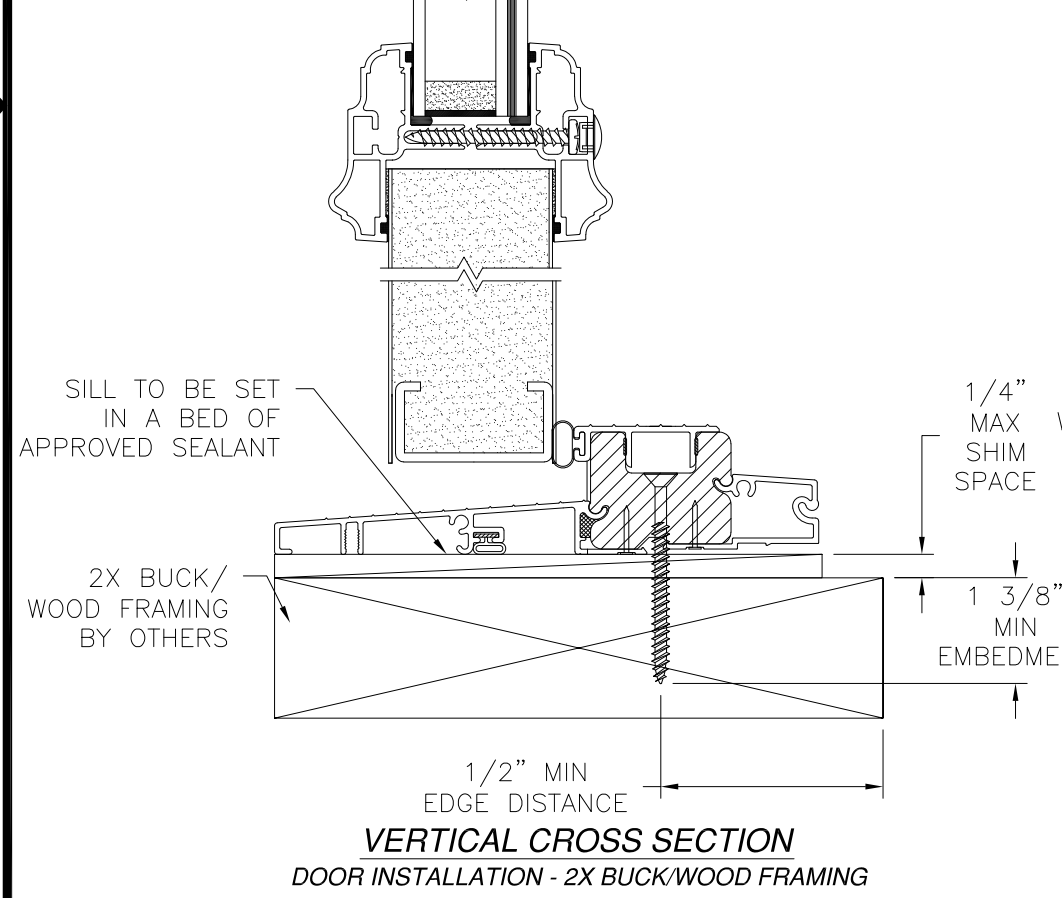
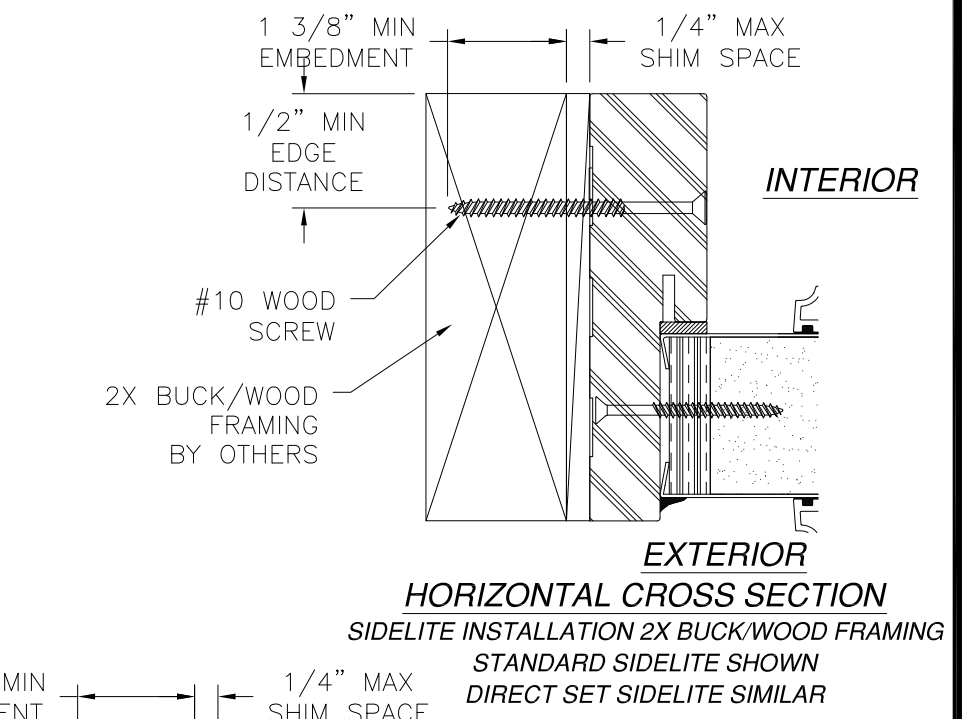
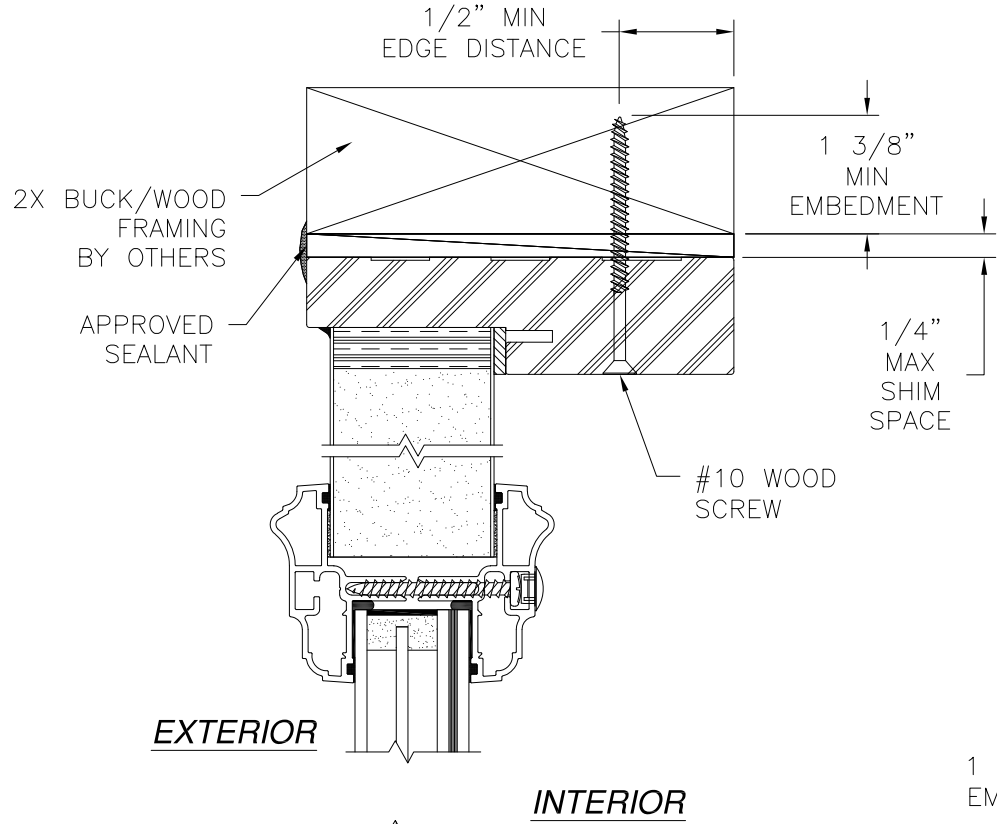
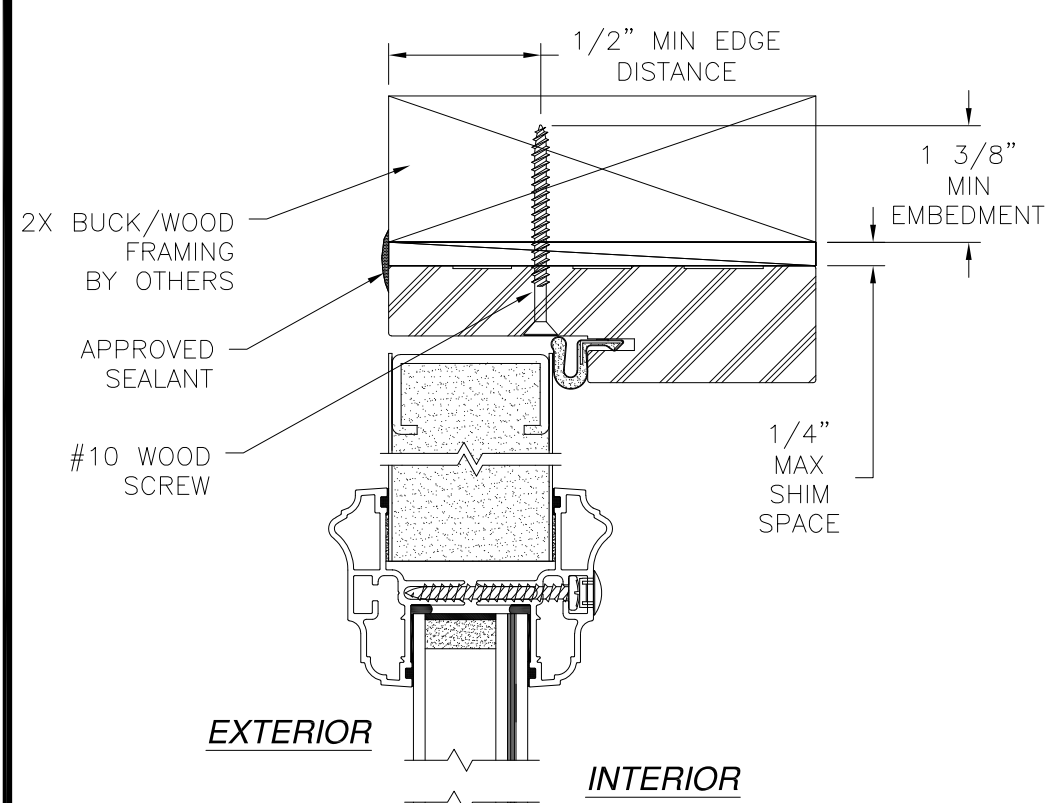
L. ROBERTO LOMAS P.E.
 1432 WOODFORD RD LEWISVILLE, NC 27023
 434-688-0609 rllomas@rlomaspe.com

SIGNED: 09/07/2021



Luis R. Lomas P.E.
 FL No.: 62514

REVISIONS			
REV	DESCRIPTION	DATE	APPROVED
H	ADDED MULTILITE PANELS & TRIMS	08/17/2021	R.L.



VERTICAL CROSS SECTION
DOOR INSTALLATION - 2X BUCK/WOOD FRAMING

VERTICAL CROSS SECTION
SIDELITE INSTALLATION 2X BUCK/WOOD FRAMING
STANDARD SIDELITE SHOWN
DIRECT SET SIDELITE SIMILAR

HORIZONTAL CROSS SECTION
DOOR INSTALLATION - 2X BUCK/WOOD FRAMING
SIGNED: 09/07/2021

- NOTES:**
1. INTERIOR AND EXTERIOR FINISHES, BY OTHERS, NOT SHOWN FOR CLARITY.
 2. PERIMETER AND JOINT SEALANT BY OTHERS TO BE DESIGNED IN ACCORDANCE WITH ASTM E2112

PROVIA, LLC.
2150 STATE ROUTE 39 WEST
SUGARCREEK, OH 44681

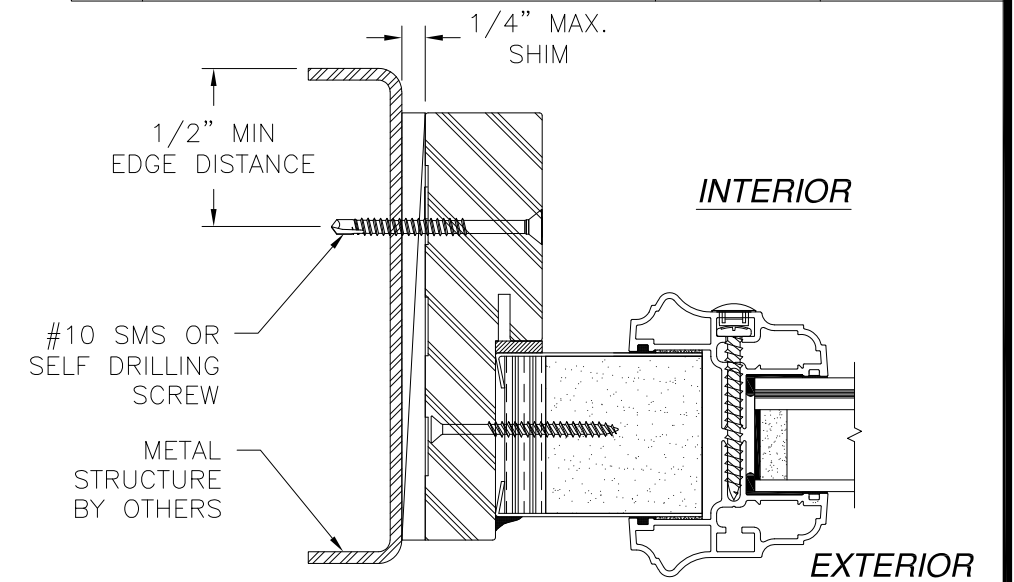
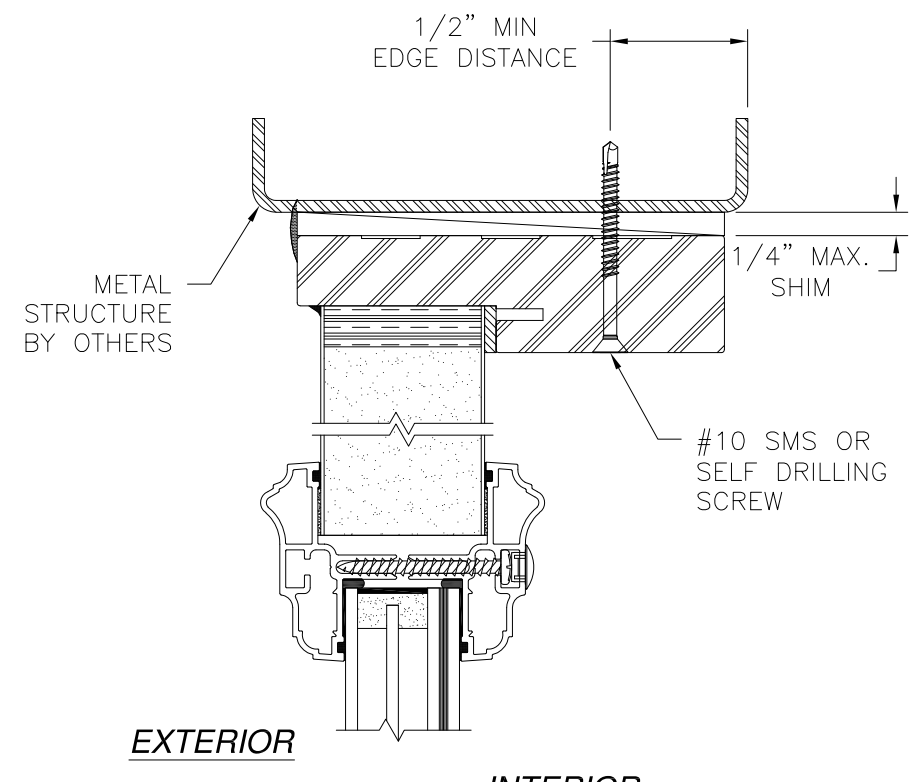
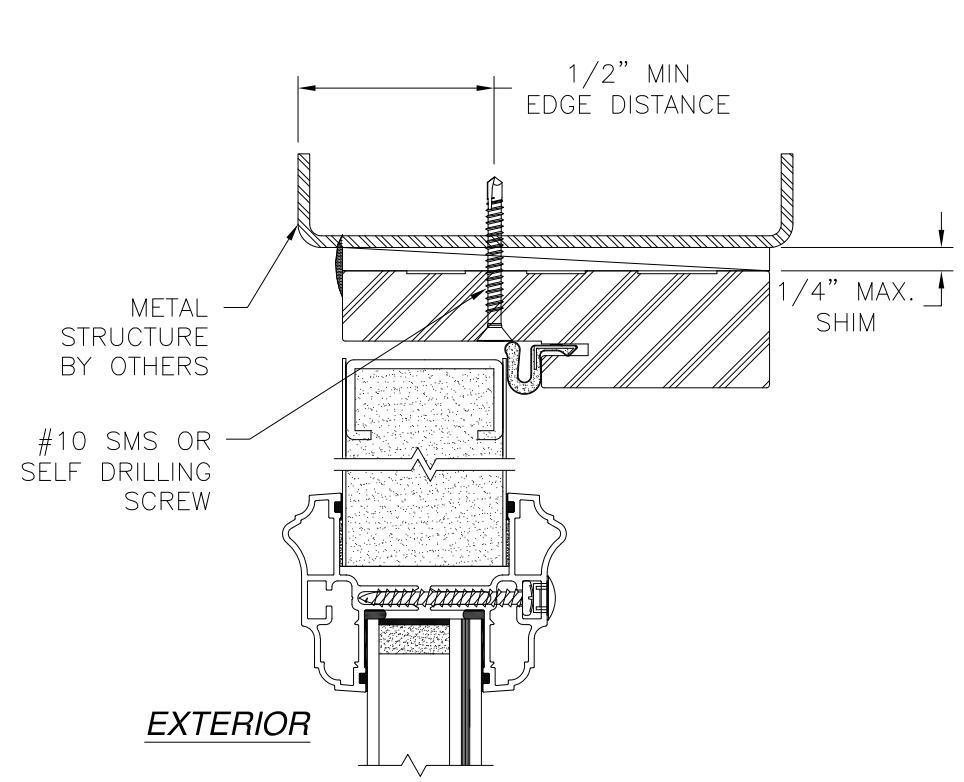
STEEL OUTSWING GLAZED SINGLE DOOR
W/SIDELITES - IMPACT
INSTALLATION DETAILS

DRAWN: J.L.	DWG NO. 08-02019	REV H
SCALE NTS	DATE 05/10/13	SHEET 4 OF 13

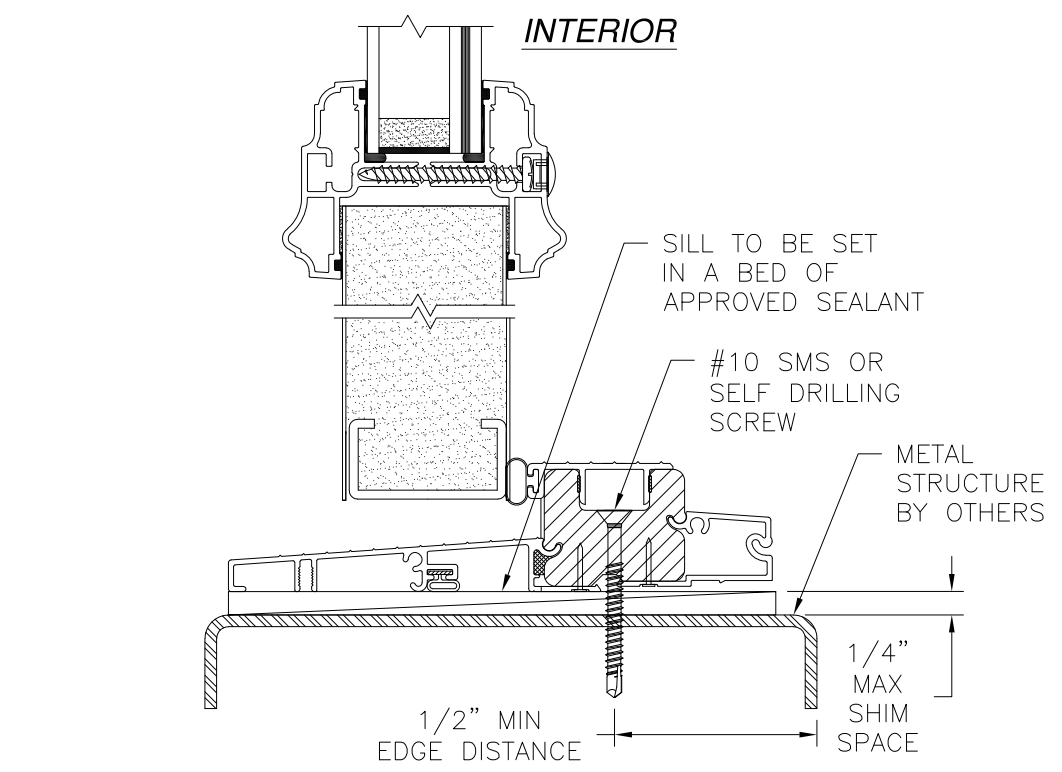
L. ROBERTO LOMAS P.E.
1432 WOODFORD RD LEWISVILLE, NC 27023
434-688-0609 rllomas@rlomaspe.com

Luis R. Lomas P.E.
FL No.: 62514

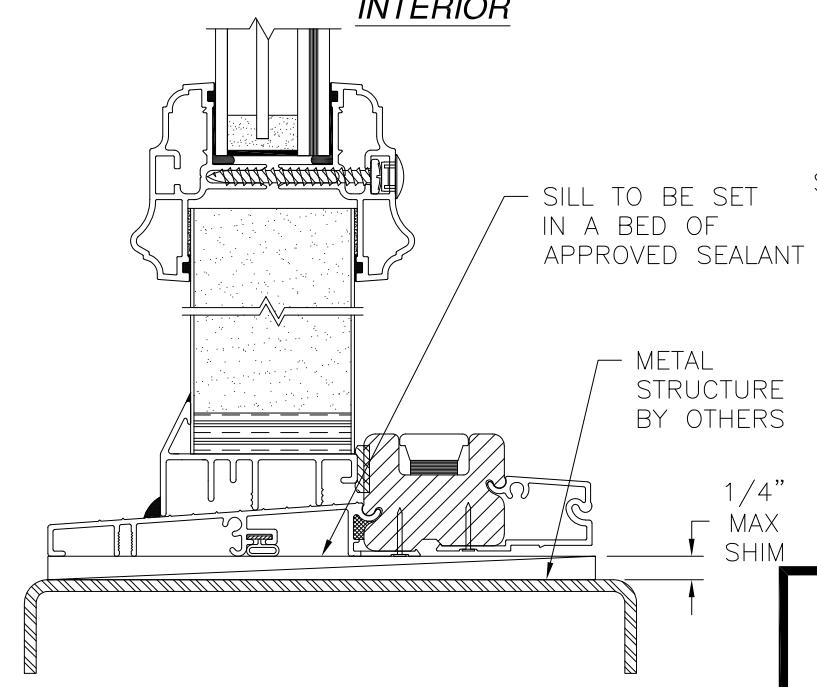
REVISIONS			
REV	DESCRIPTION	DATE	APPROVED
H	ADDED MULTILITE PANELS & TRIMS	08/17/2021	R.L.



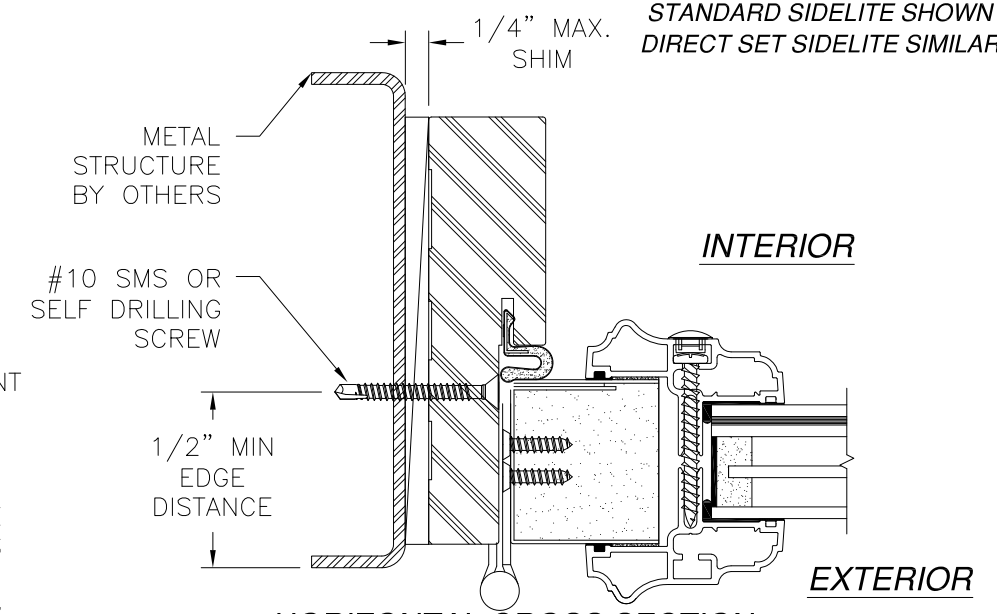
HORIZONTAL CROSS SECTION
SIDELITE INSTALLATION METAL STRUCTURE
STANDARD SIDELITE SHOWN
DIRECT SET SIDELITE SIMILAR



VERTICAL CROSS SECTION
DOOR INSTALLATION METAL STRUCTURE



VERTICAL CROSS SECTION
SIDELITE INSTALLATION METAL STRUCTURE
STANDARD SIDELITE SHOWN
DIRECT SET SIDELITE SIMILAR



HORIZONTAL CROSS SECTION
DOOR INSTALLATION METAL STRUCTURE

SIGNED: 09/07/2021

- NOTES:**
1. INTERIOR AND EXTERIOR FINISHES, BY OTHERS, NOT SHOWN FOR CLARITY.
 2. PERIMETER AND JOINT SEALANT BY OTHERS TO BE DESIGNED IN ACCORDANCE WITH ASTM E2112

PROVIA, LLC.
2150 STATE ROUTE 39 WEST
SUGARCREEK, OH 44681

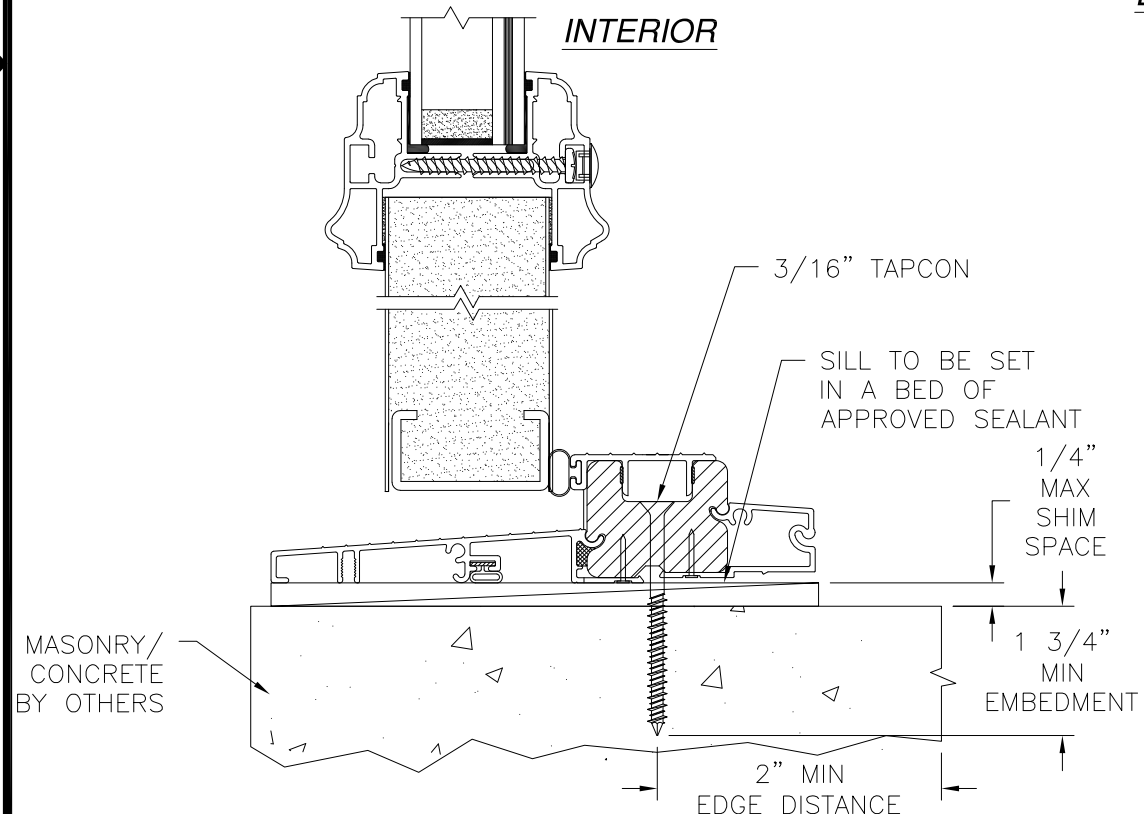
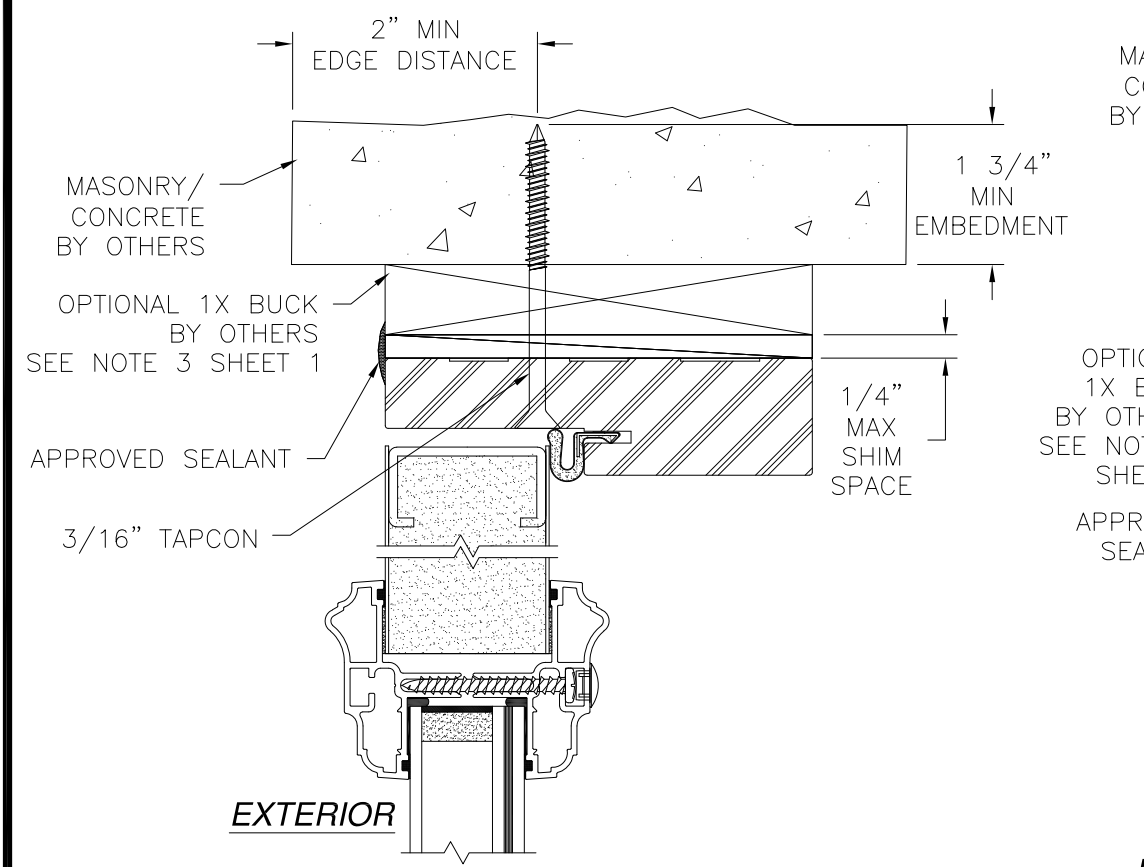
STEEL OUTSWING GLAZED SINGLE DOOR
W/SIDELITES - IMPACT
INSTALLATION DETAILS

DRAWN: J.L.	DWG NO. 08-02019	REV H
SCALE NTS	DATE 05/10/13	SHEET 5 OF 13

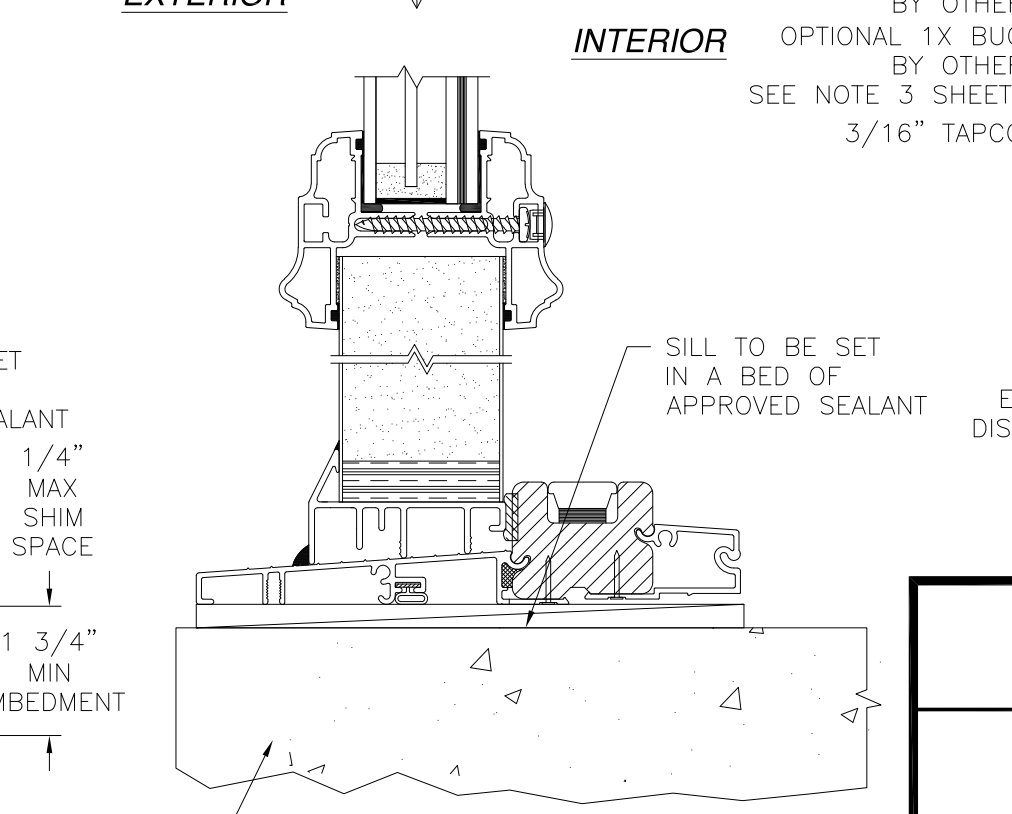
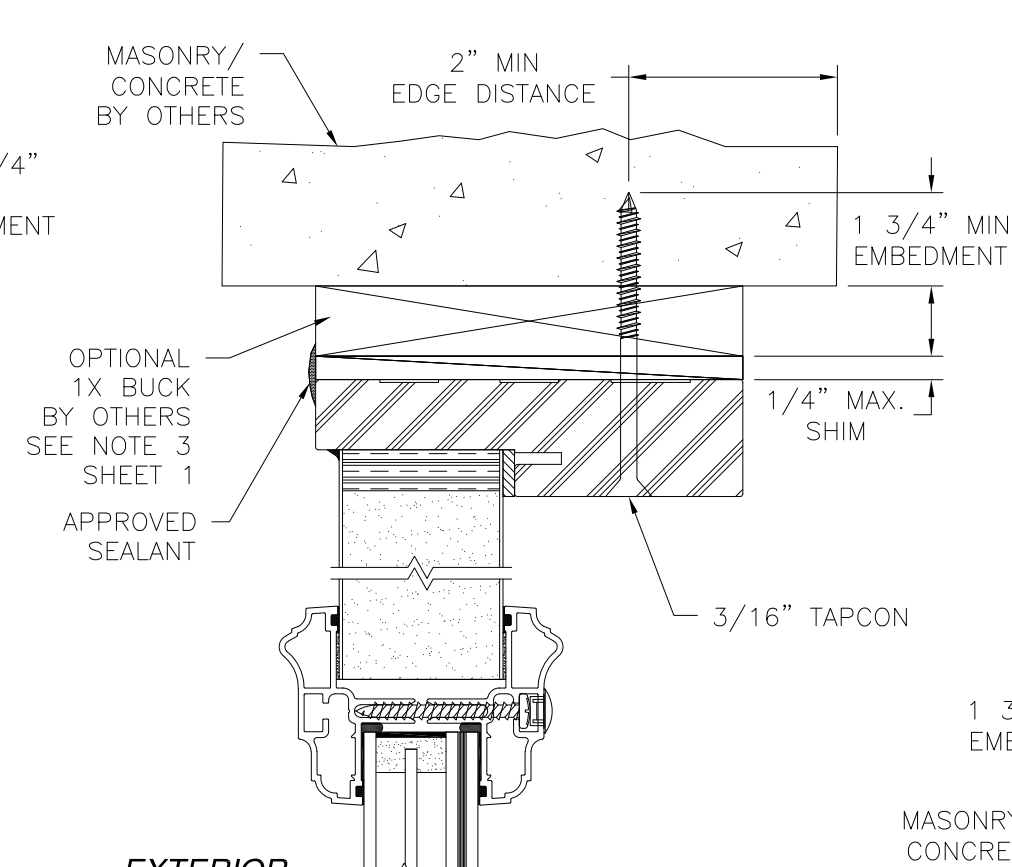
L. ROBERTO LOMAS P.E.
1432 WOODFORD RD LEWISVILLE, NC 27023
434-688-0609 rllomas@rlomaspe.com

Luis R. Lomas P.E.
FL No.: 62514

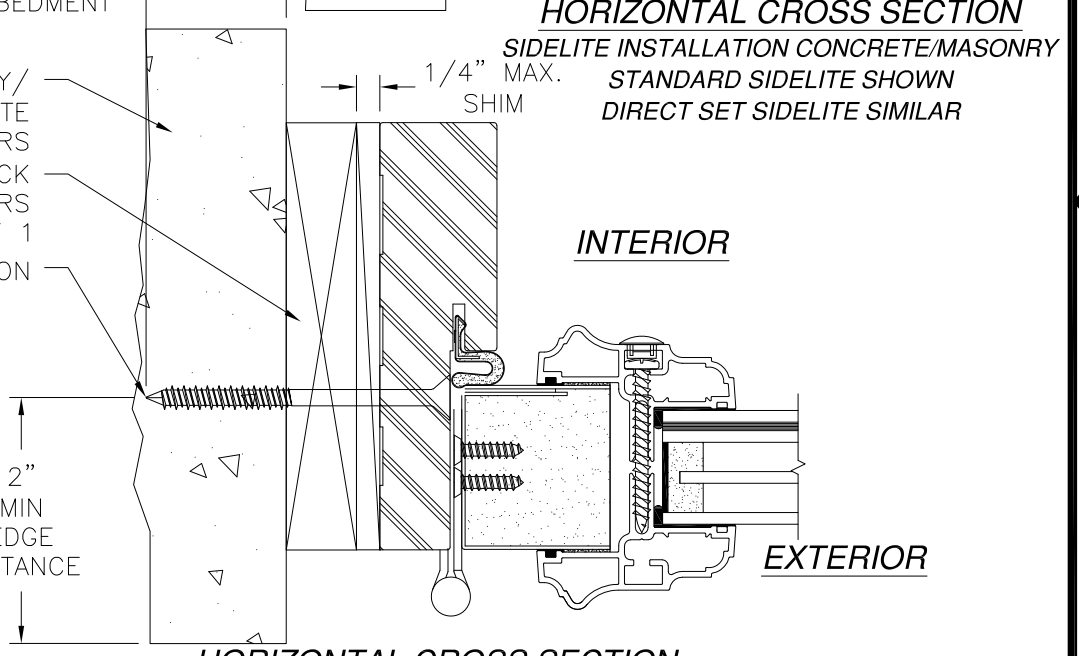
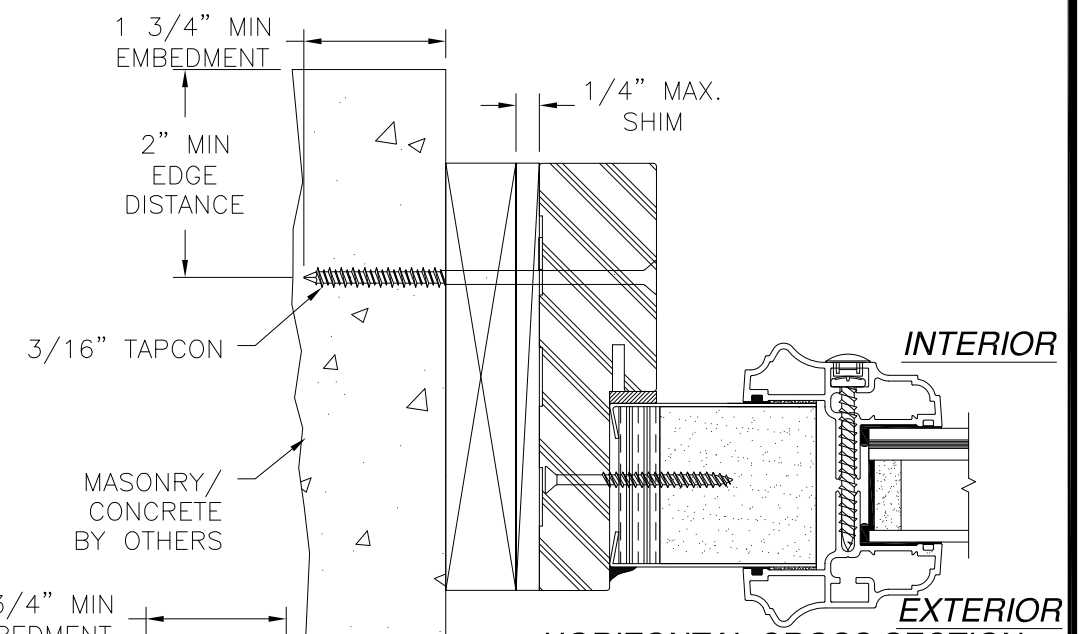
REVISIONS			
REV	DESCRIPTION	DATE	APPROVED
H	ADDED MULTILITE PANELS & TRIMS	08/17/2021	R.L.



VERTICAL CROSS SECTION
DOOR INSTALLATION MASONRY/CONCRETE



VERTICAL CROSS SECTION
SIDELITE INSTALLATION MASONRY/CONCRETE
STANDARD SIDELITE SHOWN
DIRECT SET SIDELITE SIMILAR



HORIZONTAL CROSS SECTION
DOOR INSTALLATION CONCRETE/MASONRY
STANDARD SIDELITE SHOWN
DIRECT SET SIDELITE SIMILAR

- NOTES:**
1. INTERIOR AND EXTERIOR FINISHES, BY OTHERS, NOT SHOWN FOR CLARITY.
 2. PERIMETER AND JOINT SEALANT BY OTHERS TO BE DESIGNED IN ACCORDANCE WITH ASTM E2112

PROVIA, LLC.
2150 STATE ROUTE 39 WEST
SUGARCREEK, OH 44681

STEEL OUTSWING GLAZED SINGLE DOOR
W/SIDELITES - IMPACT
INSTALLATION DETAILS

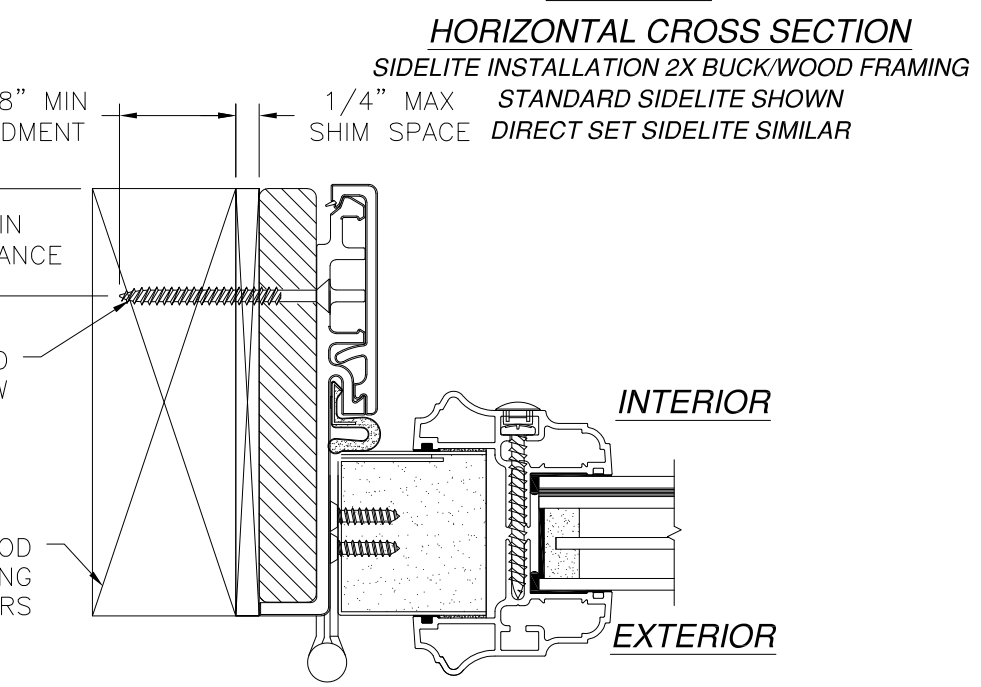
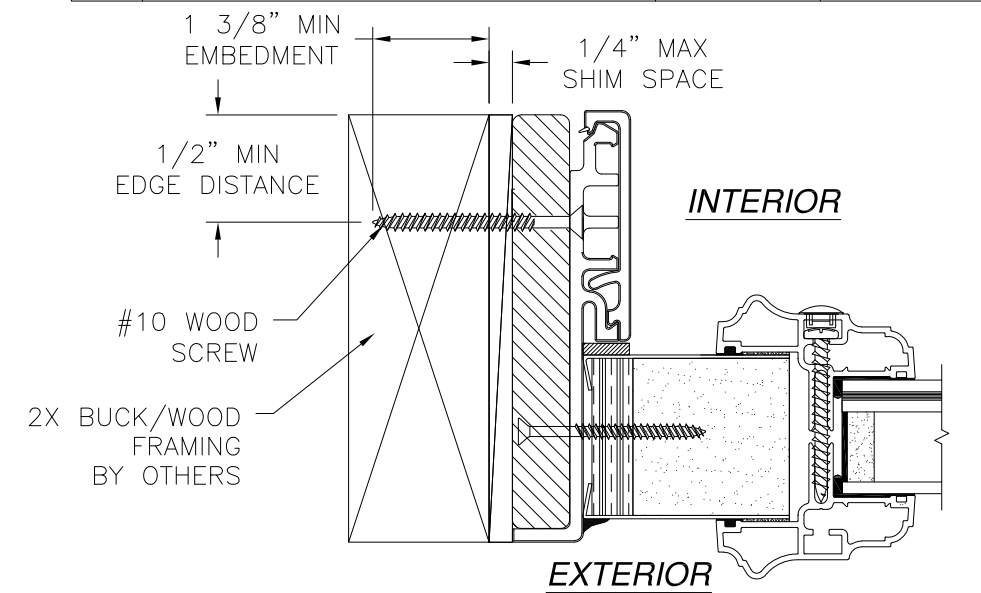
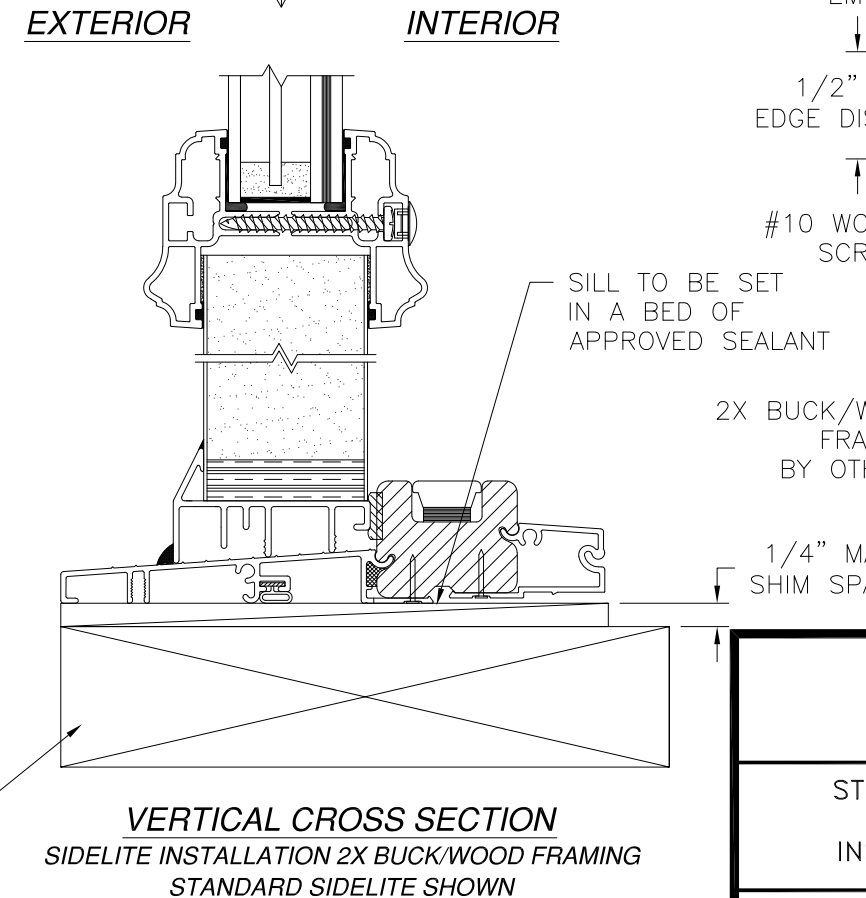
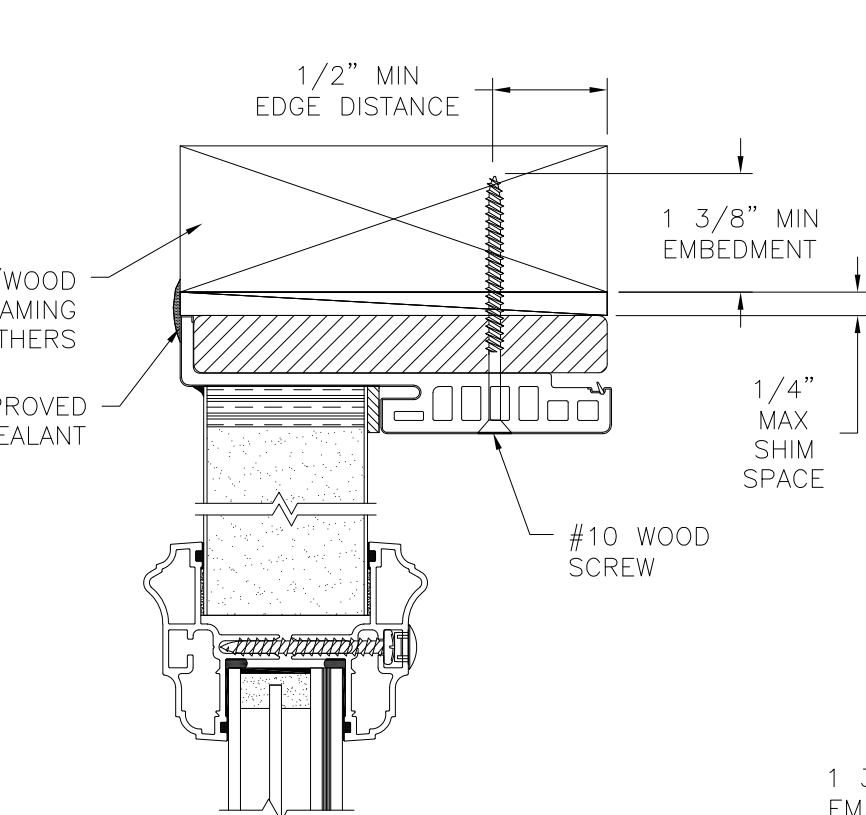
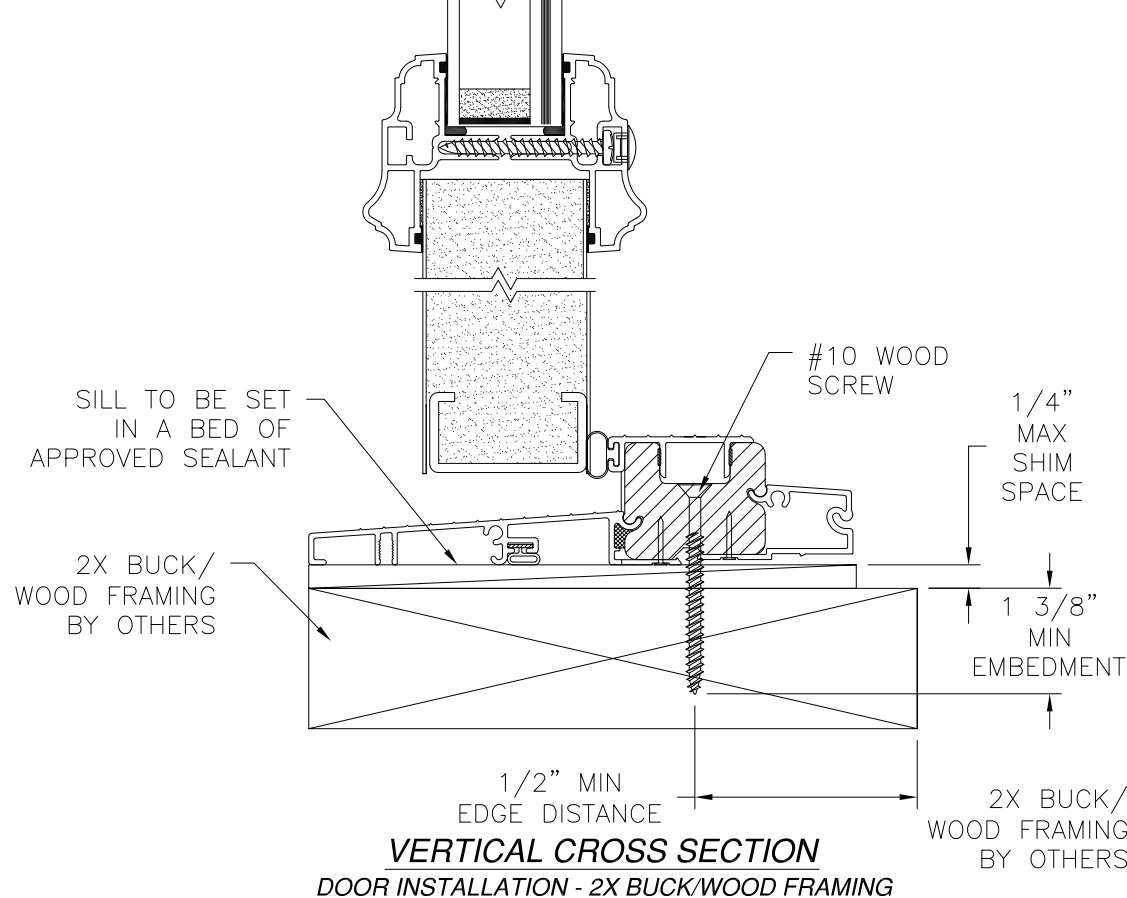
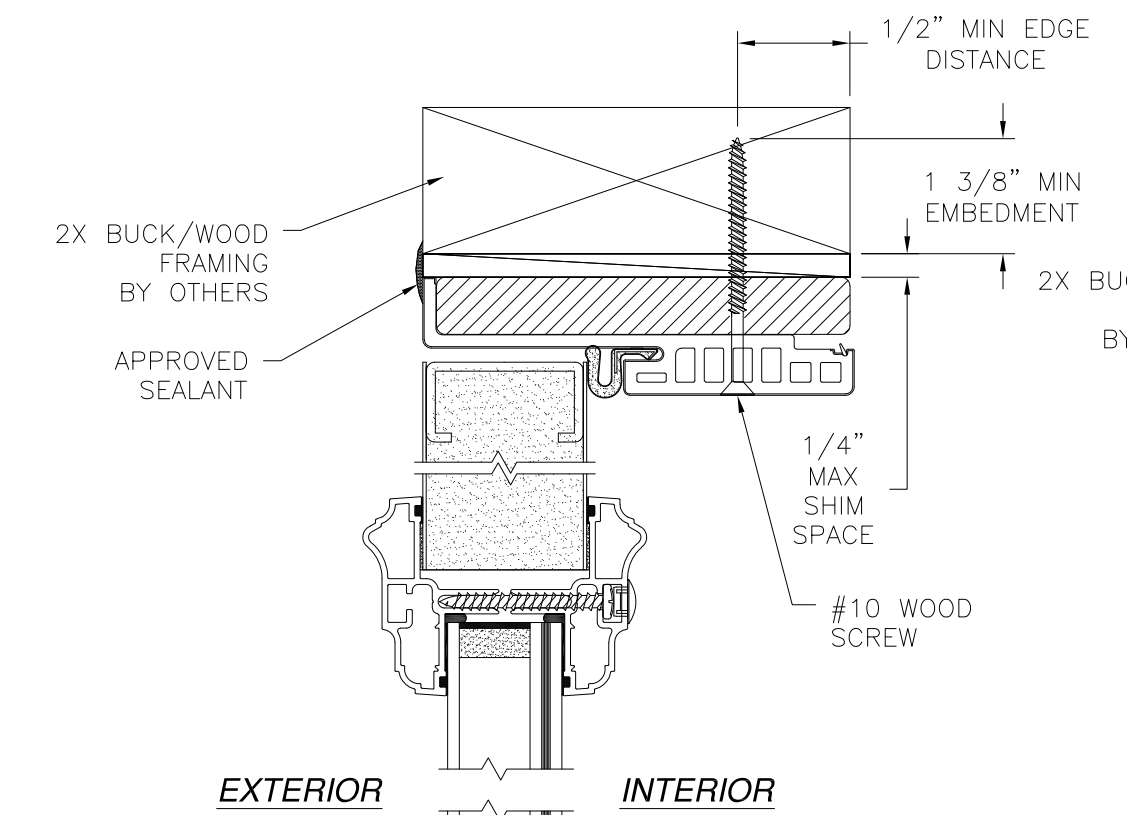
DRAWN: J.L.	DWG NO. 08-02019	REV H
SCALE NTS	DATE 05/10/13	SHEET 6 OF 13

L. ROBERTO LOMAS P.E.
1432 WOODFORD RD LEWISVILLE, NC 27023
434-688-0609 rllomas@rlomaspe.com

SIGNED: 09/07/2021

Luis R. Lomas P.E.
FL No.: 62514

REVISIONS			
REV	DESCRIPTION	DATE	APPROVED
H	ADDED MULTILITE PANELS & TRIMS	08/17/2021	R.L.



VERTICAL CROSS SECTION
DOOR INSTALLATION - 2X BUCK/WOOD FRAMING

VERTICAL CROSS SECTION
SIDELITE INSTALLATION 2X BUCK/WOOD FRAMING
STANDARD SIDELITE SHOWN
DIRECT SET SIDELITE SIMILAR

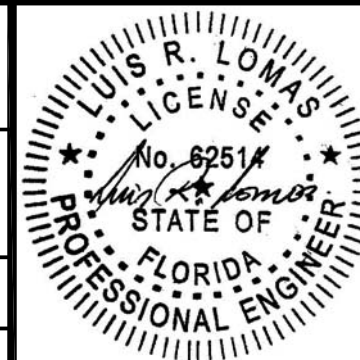
HORIZONTAL CROSS SECTION
DOOR INSTALLATION - 2X BUCK/WOOD FRAMING

PROVIA, LLC.
2150 STATE ROUTE 39 WEST
SUGARCREEK, OH 44681

STEEL OUTSWING GLAZED SINGLE DOOR
W/SIDELITES - IMPACT
INSTALLATION DETAILS W/FUSION FRAME

DRAWN: J.L.	DWG NO. 08-02019	REV H
SCALE NTS	DATE 05/10/13	SHEET 7 OF 13

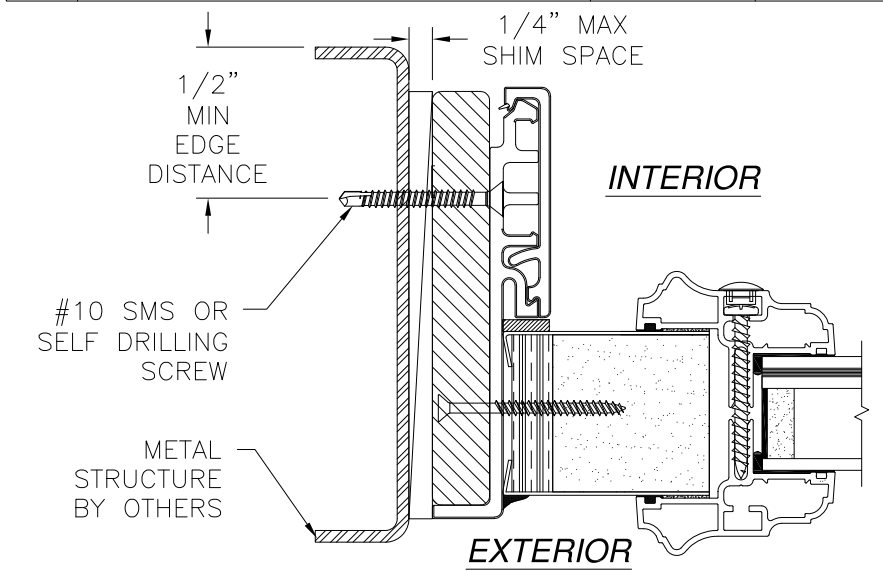
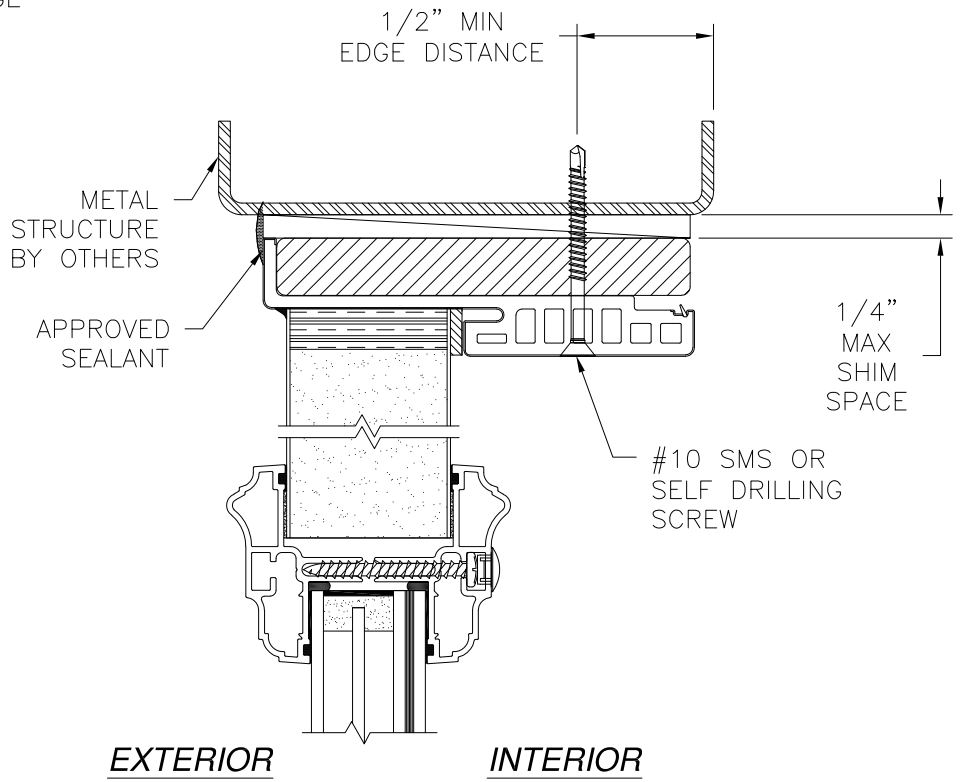
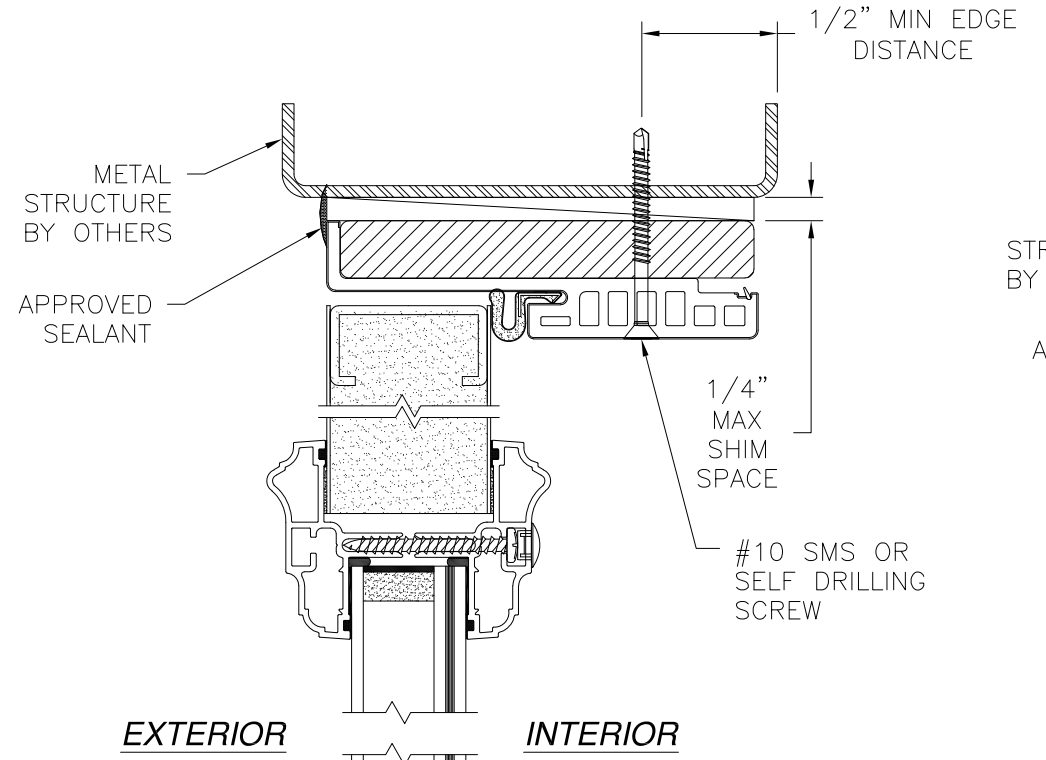
L. ROBERTO LOMAS P.E.
1432 WOODFORD RD LEWISVILLE, NC 27023
434-688-0609 rllomas@rlomaspe.com



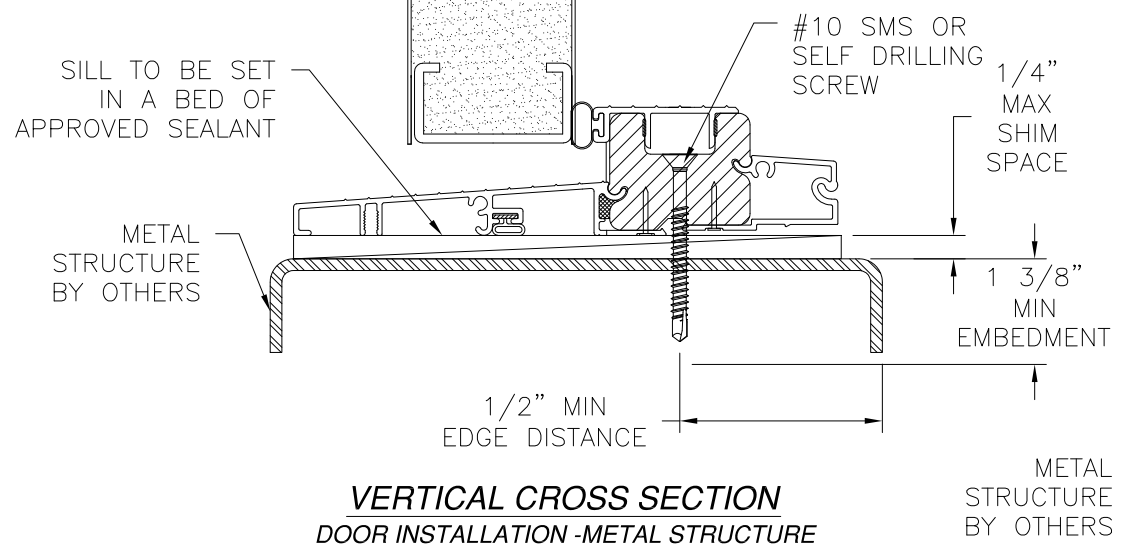
Luis R. Lomas P.E.
FL No.: 62514

- NOTES:
1. INTERIOR AND EXTERIOR FINISHES, BY OTHERS, NOT SHOWN FOR CLARITY.
 2. PERIMETER AND JOINT SEALANT BY OTHERS TO BE DESIGNED IN ACCORDANCE WITH ASTM E2112

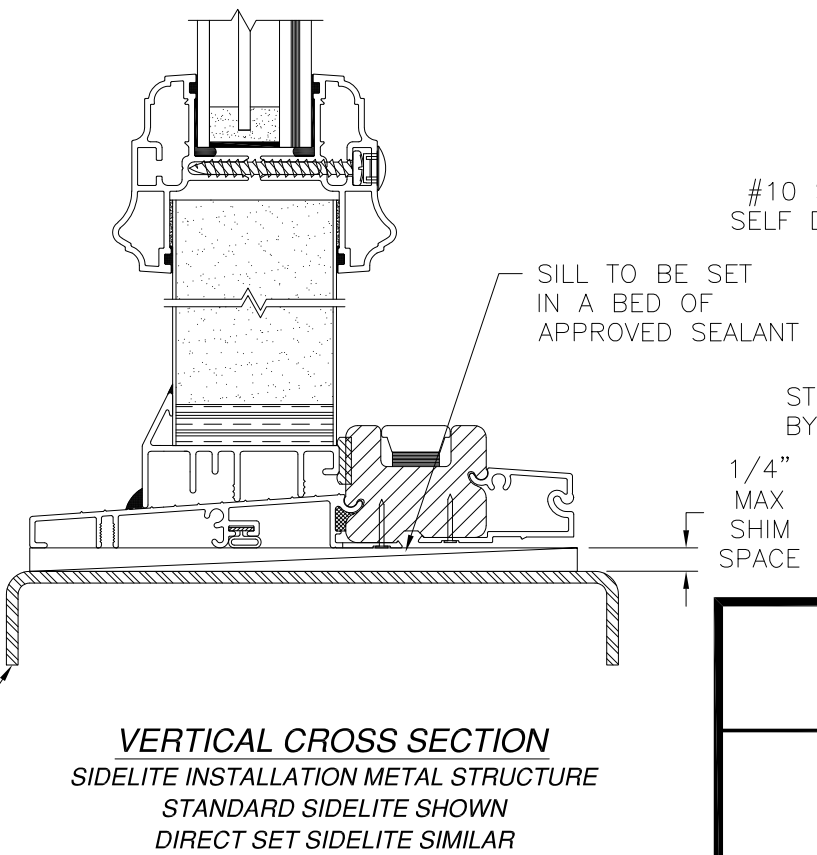
REVISIONS			
REV	DESCRIPTION	DATE	APPROVED
H	ADDED MULTILITE PANELS & TRIMS	08/17/2021	R.L.



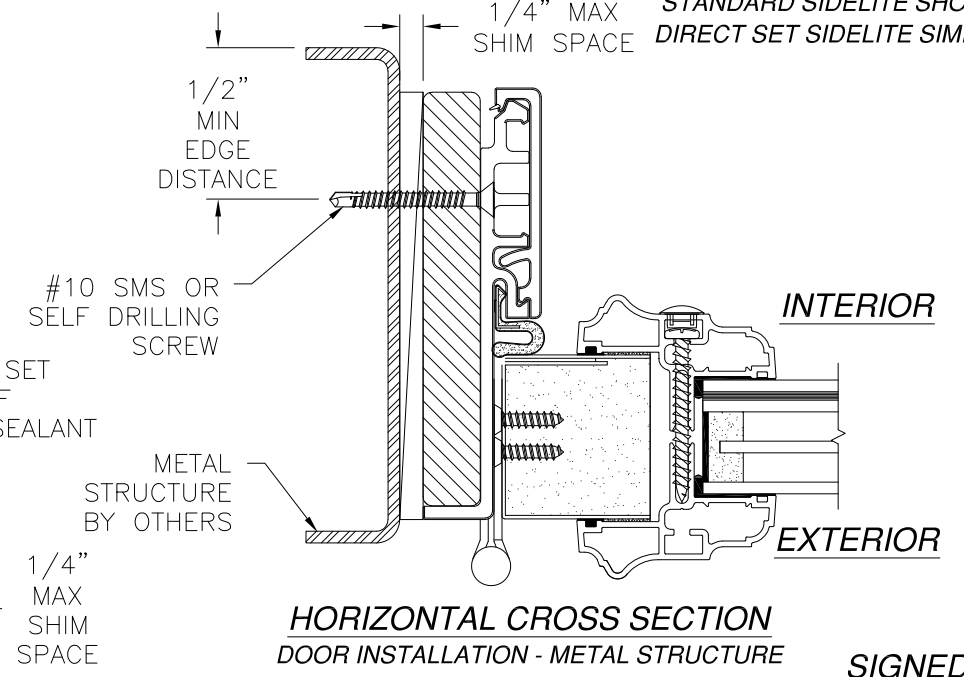
HORIZONTAL CROSS SECTION
SIDELITE INSTALLATION METAL STRUCTURE
STANDARD SIDELITE SHOWN
DIRECT SET SIDELITE SIMILAR



VERTICAL CROSS SECTION
DOOR INSTALLATION - METAL STRUCTURE



VERTICAL CROSS SECTION
SIDELITE INSTALLATION METAL STRUCTURE
STANDARD SIDELITE SHOWN
DIRECT SET SIDELITE SIMILAR



HORIZONTAL CROSS SECTION
DOOR INSTALLATION - METAL STRUCTURE

SIGNED: 09/07/2021

- NOTES:
1. INTERIOR AND EXTERIOR FINISHES, BY OTHERS, NOT SHOWN FOR CLARITY.
 2. PERIMETER AND JOINT SEALANT BY OTHERS TO BE DESIGNED IN ACCORDANCE WITH ASTM E2112

PROVIA, LLC.
2150 STATE ROUTE 39 WEST
SUGARCREEK, OH 44681

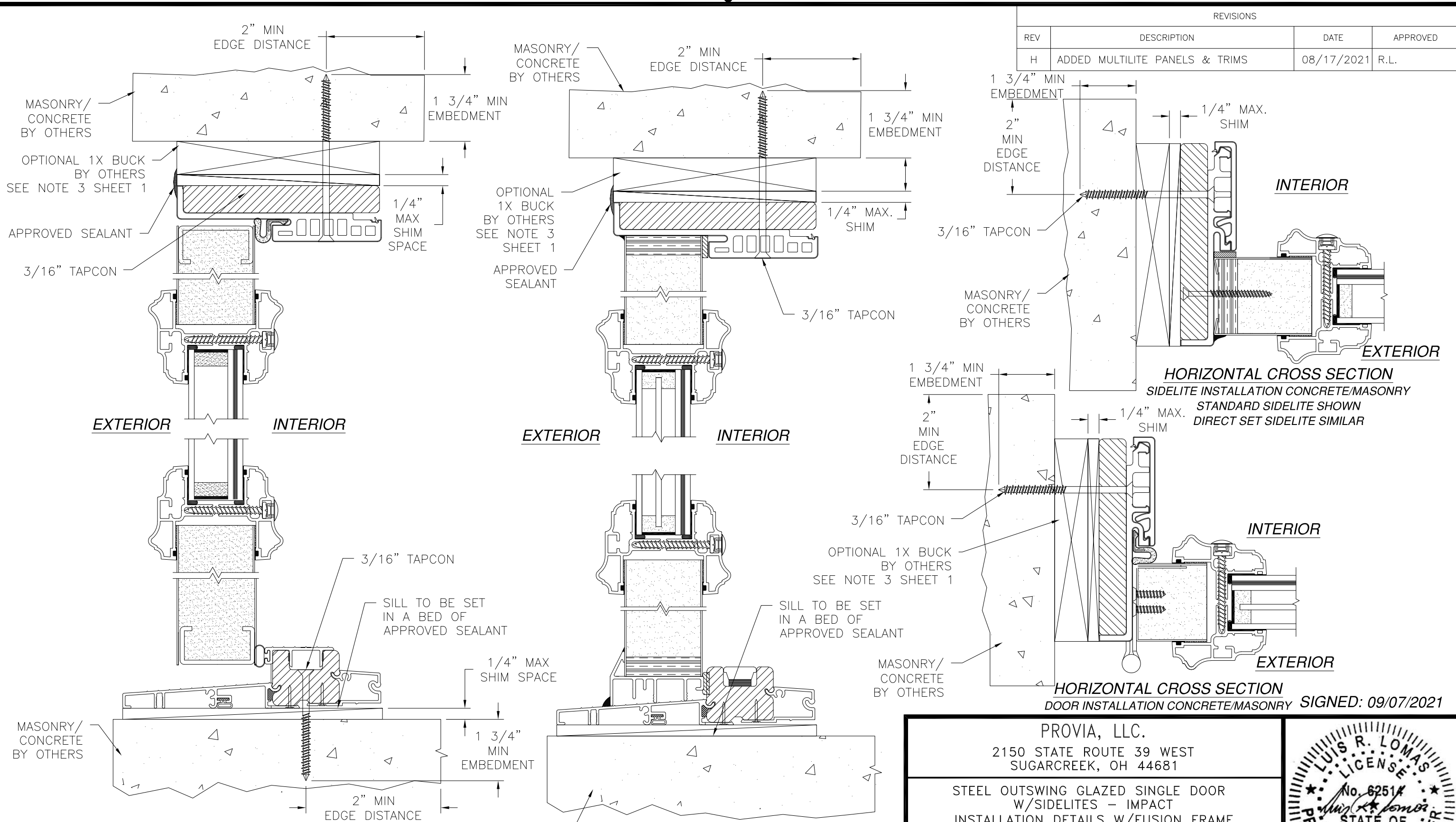
STEEL OUTSWING GLAZED SINGLE DOOR
W/SIDELITES - IMPACT
INSTALLATION DETAILS W/FUSION FRAME

DRAWN: J.L.	DWG NO. 08-02019	REV H
SCALE NTS	DATE 05/10/13	SHEET 8 OF 13

L. ROBERTO LOMAS P.E.
1432 WOODFORD RD LEWISVILLE, NC 27023
434-688-0609 rllomas@rlomaspe.com

LUIS R. LOMAS
LICENSED PROFESSIONAL ENGINEER
No. 62514
STATE OF FLORIDA

Luis R. Lomas P.E.
FL No.: 62514



REVISIONS			
REV	DESCRIPTION	DATE	APPROVED
H	ADDED MULTILITE PANELS & TRIMS	08/17/2021	R.L.

- NOTES:**
1. INTERIOR AND EXTERIOR FINISHES, BY OTHERS, NOT SHOWN FOR CLARITY.
 2. PERIMETER AND JOINT SEALANT BY OTHERS TO BE DESIGNED IN ACCORDANCE WITH ASTM E2112

PROVIA, LLC.
 2150 STATE ROUTE 39 WEST
 SUGARCREEK, OH 44681

STEEL OUTSWING GLAZED SINGLE DOOR
 W/SIDELITES - IMPACT
 INSTALLATION DETAILS W/FUSION FRAME

DRAWN: J.L.	DWG NO. 08-02019	REV H
SCALE NTS	DATE 05/10/13	SHEET 9 OF 13

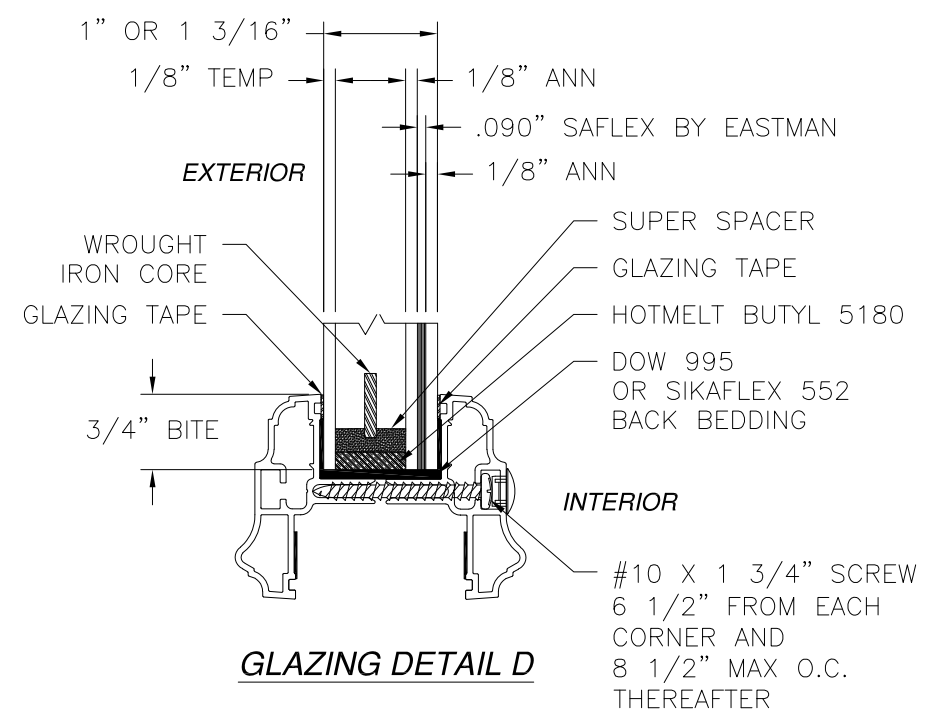
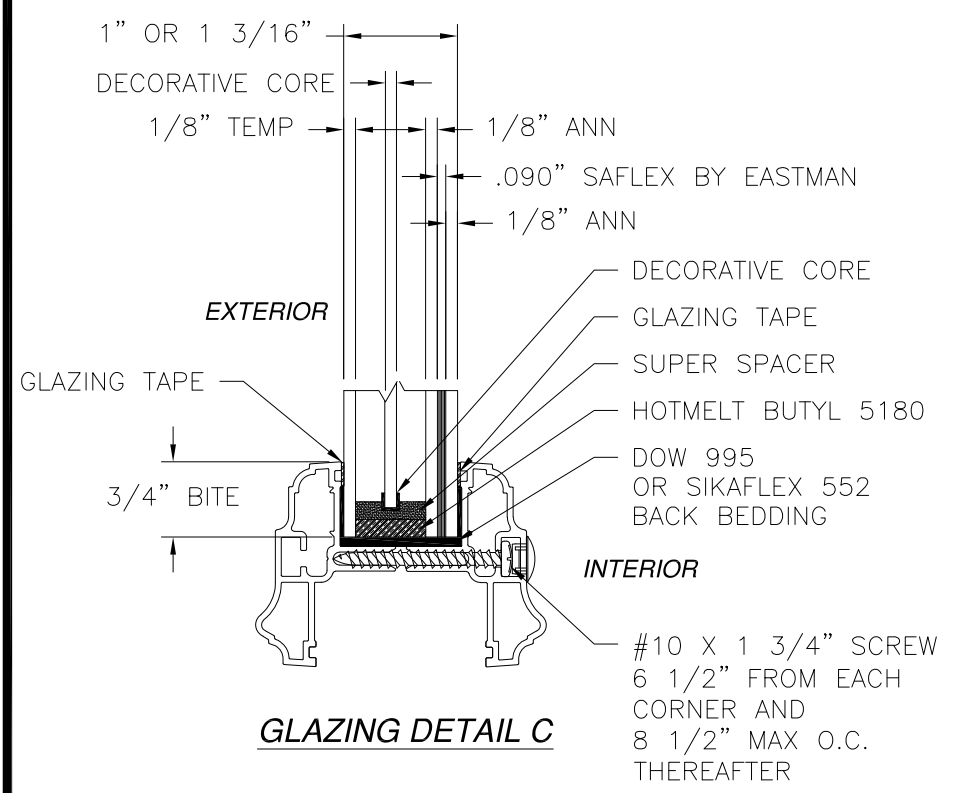
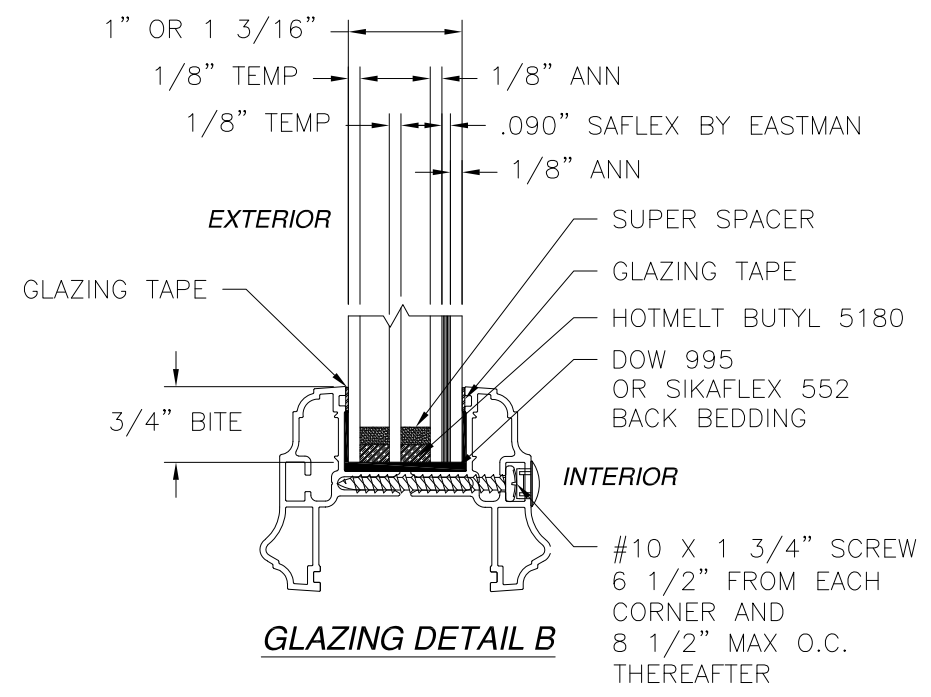
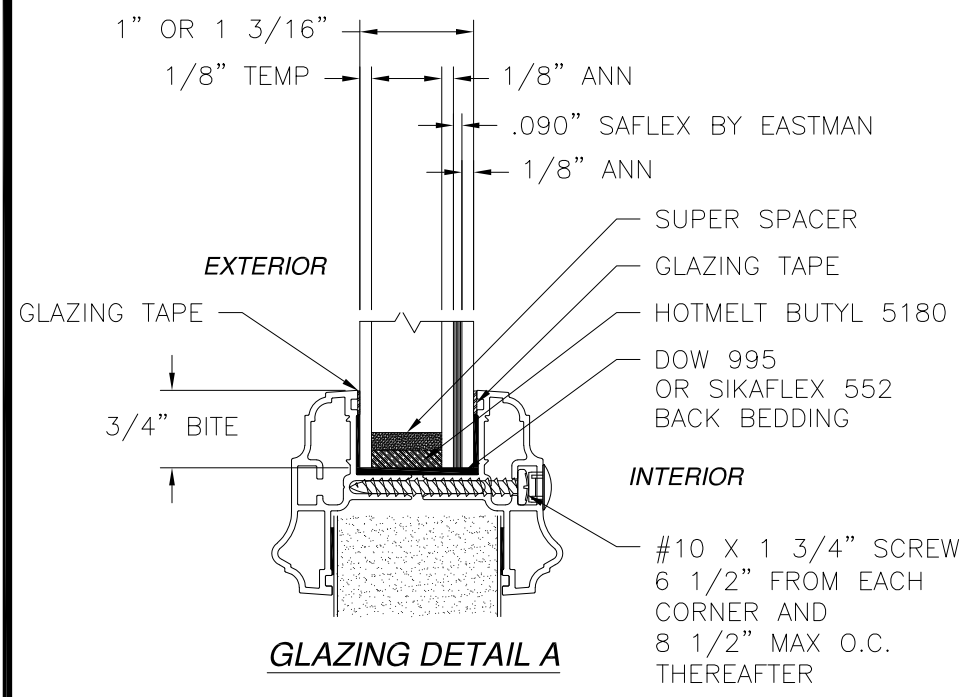
L. ROBERTO LOMAS P.E.
 1432 WOODFORD RD LEWISVILLE, NC 27023
 434-688-0609 rllomas@rlomaspe.com

LUIS R. LOMAS
 LICENSED PROFESSIONAL ENGINEER
 No. 62514
 STATE OF FLORIDA

Luis R. Lomas P.E.
 FL No.: 62514

SIGNED: 09/07/2021

REVISIONS			
REV	DESCRIPTION	DATE	APPROVED
H	ADDED MULTILITE PANELS & TRIMS	08/17/2021	R.L.



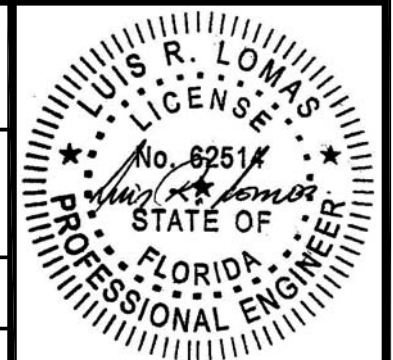
PROVIA, LLC.
2150 STATE ROUTE 39 WEST
SUGARCREEK, OH 44681

**STEEL OUTSWING GLAZED SINGLE DOOR
W/SIDELITES - IMPACT
GLAZING AND HINGES DETAILS**

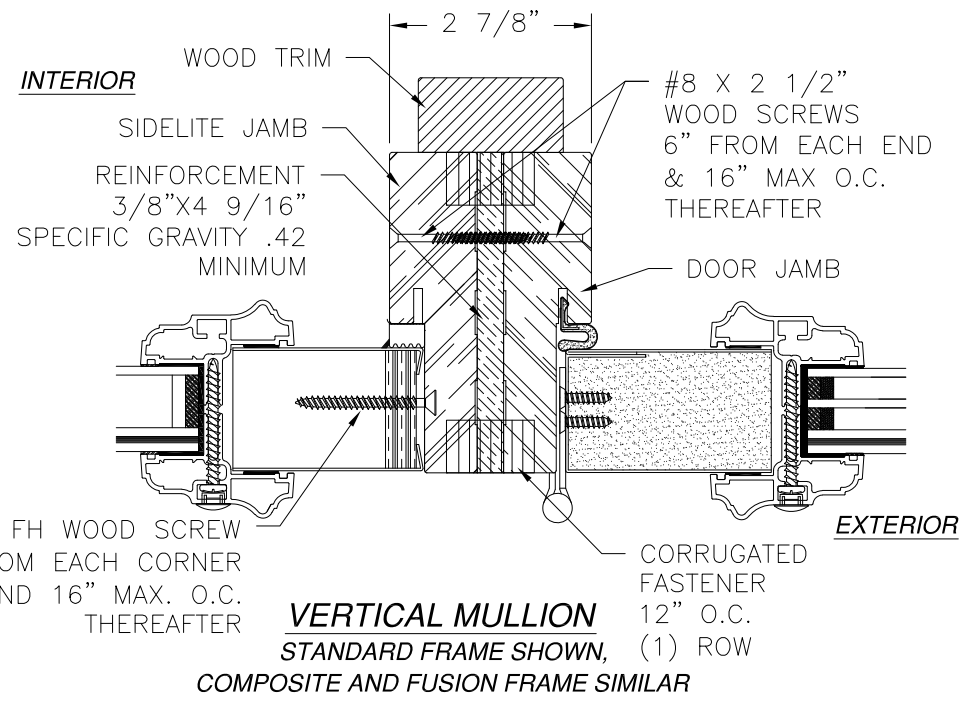
DRAWN: J.L.	DWG NO. 08-02019	REV H
SCALE NTS	DATE 05/10/13	SHEET 10 OF 13

L. ROBERTO LOMAS P.E.
1432 WOODFORD RD LEWISVILLE, NC 27023
434-688-0609 rllomas@rlomaspe.com

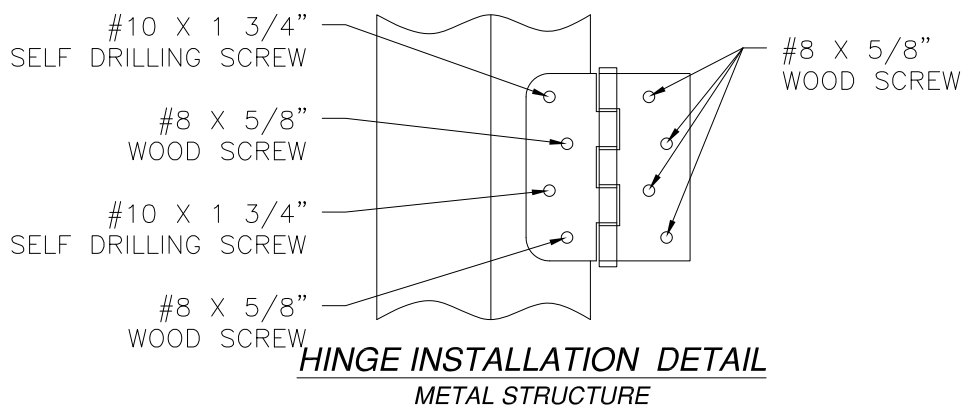
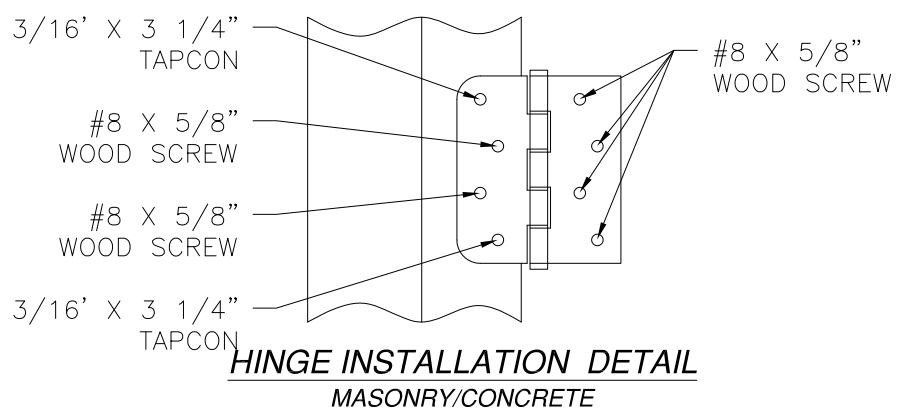
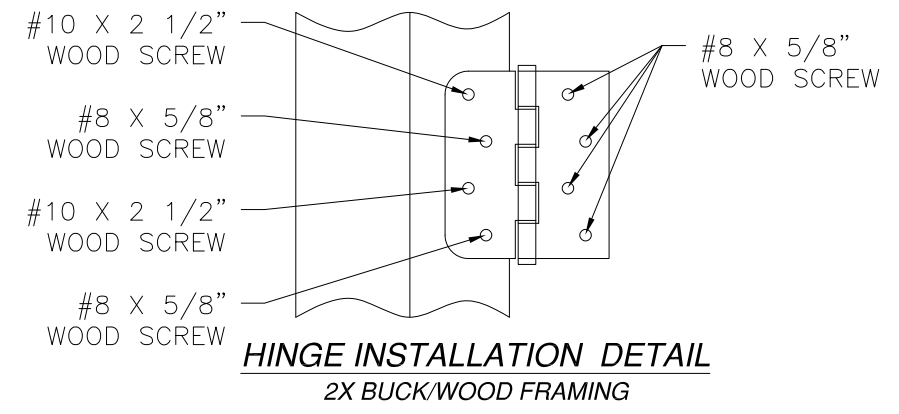
SIGNED: 09/07/2021



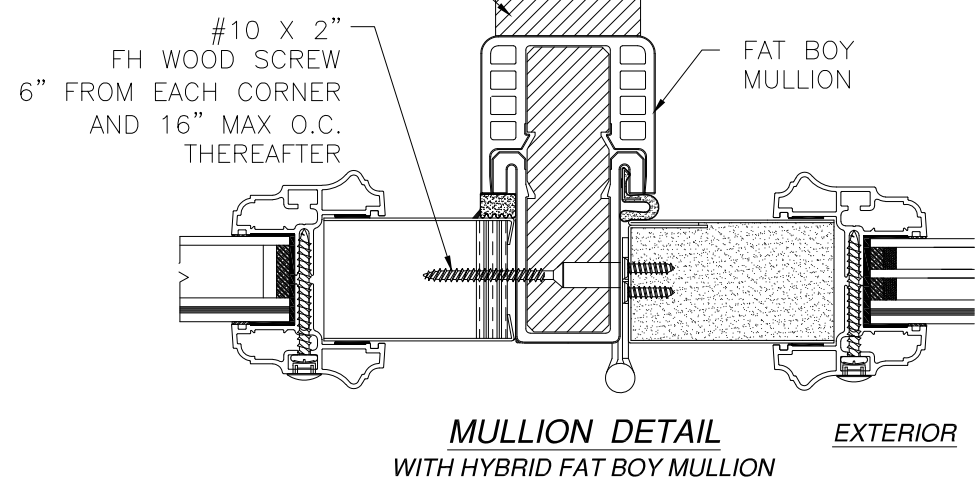
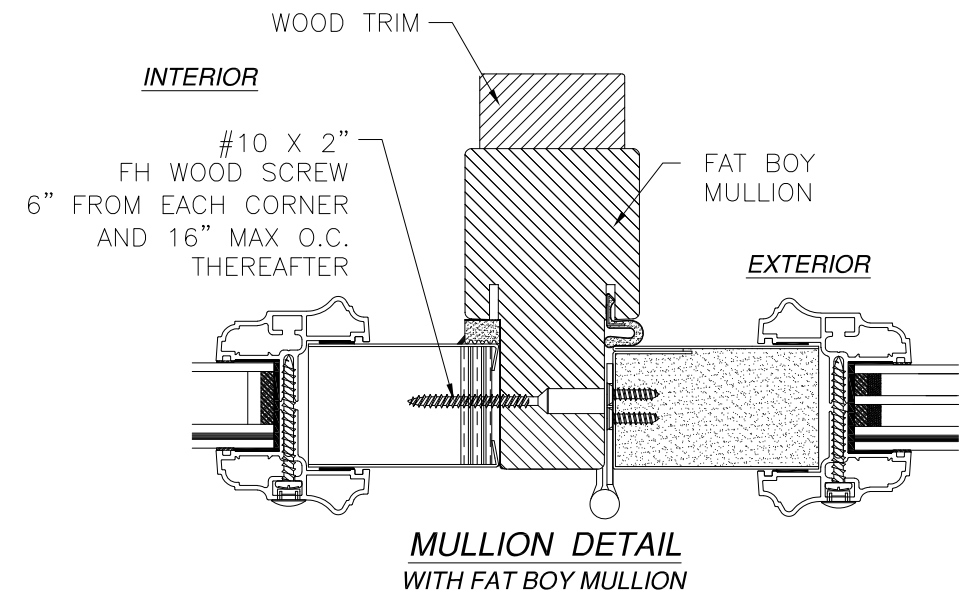
Luis R. Lomas P.E.
FL No.: 62514



#10 X 2" FH WOOD SCREW
6" FROM EACH CORNER
AND 16" MAX. O.C.
THEREAFTER



REVISIONS			
REV	DESCRIPTION	DATE	APPROVED
H	ADDED MULTILITE PANELS & TRIMS	08/17/2021	R.L.



SIGNED: 09/07/2021

PROVIA, LLC.
2150 STATE ROUTE 39 WEST
SUGARCREEK, OH 44681

STEEL OUTSWING GLAZED SINGLE DOOR
W/SIDELITES - IMPACT
MULLION DETAILS

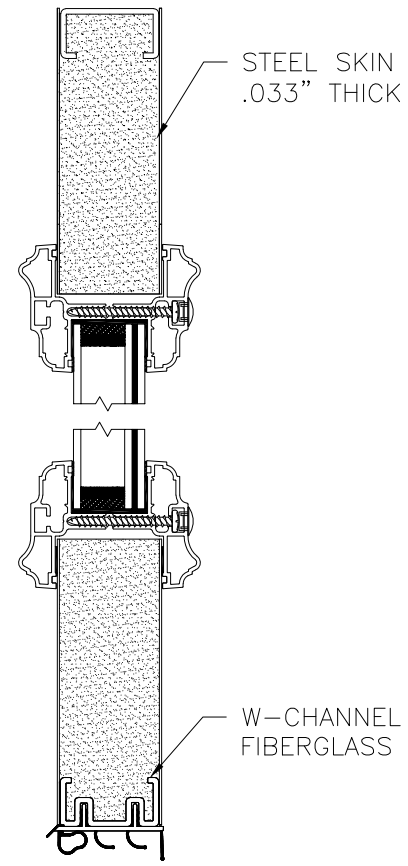
DRAWN: J.L.	DWG NO. 08-02019	REV H
SCALE NTS	DATE 05/10/13	SHEET 11 OF 13

L. ROBERTO LOMAS P.E.
1432 WOODFORD RD LEWISVILLE, NC 27023
434-688-0609 rllomas@lrlomaspe.com

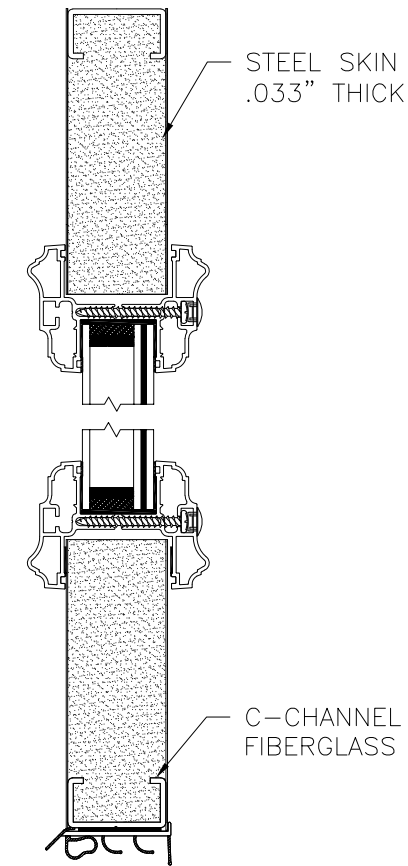
Luis R. Lomas P.E.
FL No.: 62514

APPROVED SLABS AND TRIMS

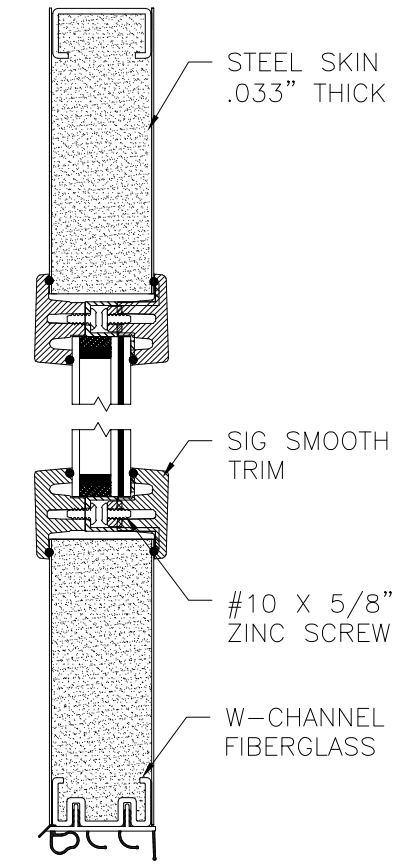
REVISIONS			
REV	DESCRIPTION	DATE	APPROVED
H	ADDED MULTILITE PANELS & TRIMS	08/17/2021	R.L.



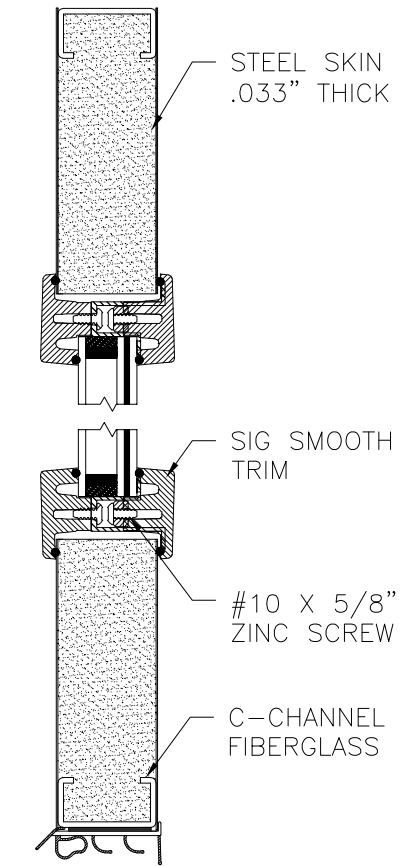
PANEL OPTION 1



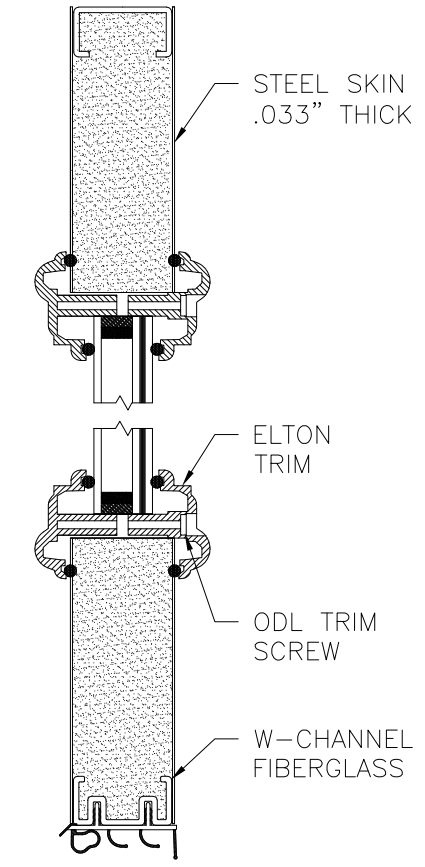
PANEL OPTION 2



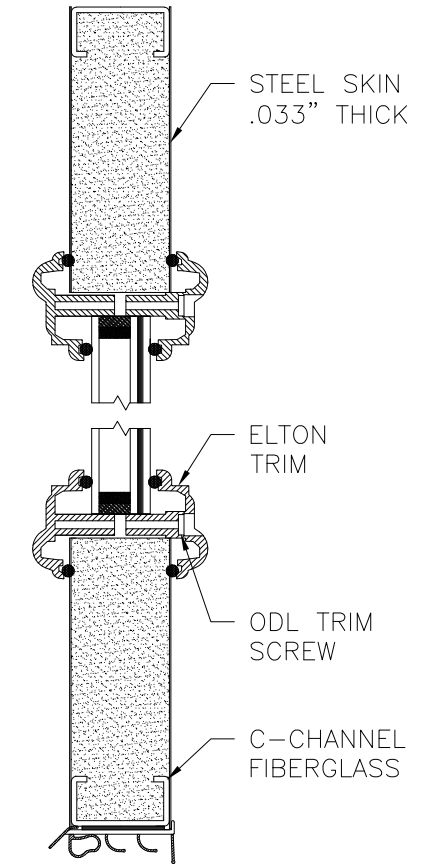
PANEL OPTION 3



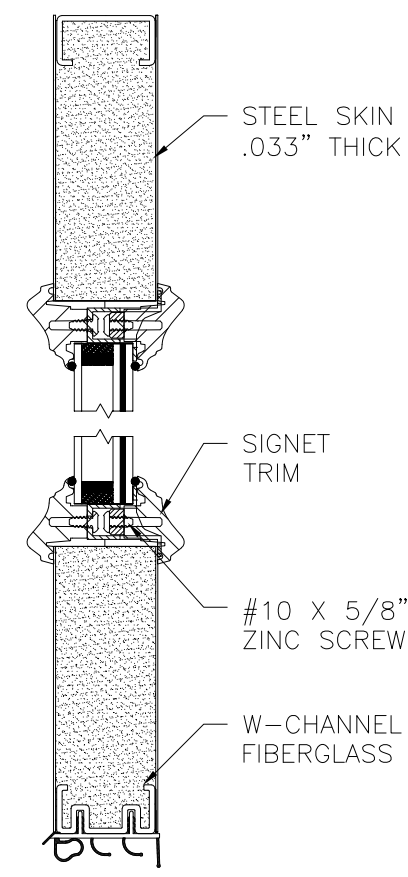
PANEL OPTION 4



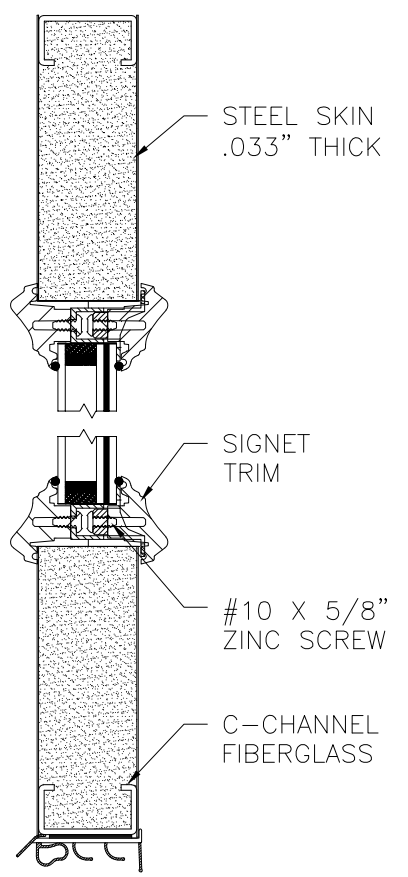
PANEL OPTION 9



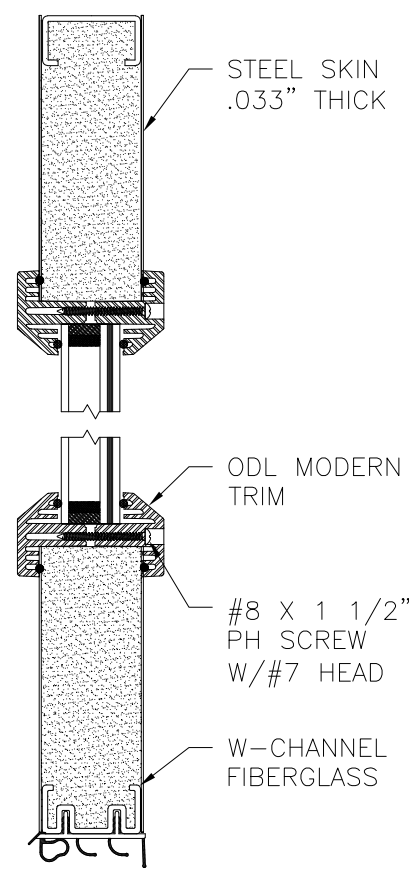
PANEL OPTION 10



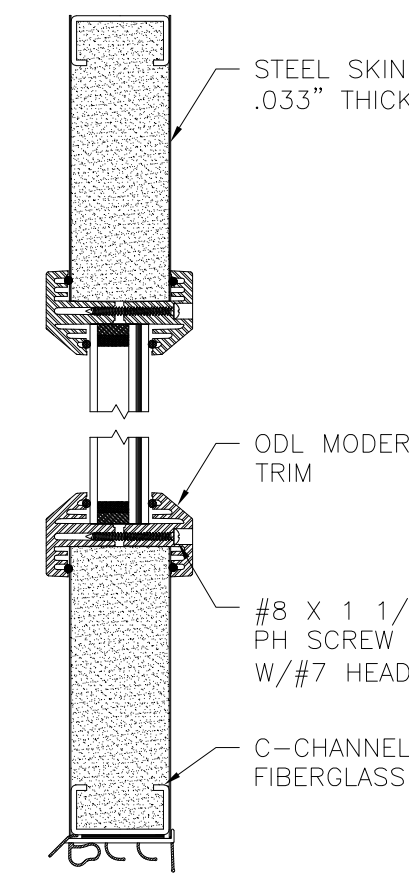
PANEL OPTION 5



PANEL OPTION 6



PANEL OPTION 7



PANEL OPTION 8

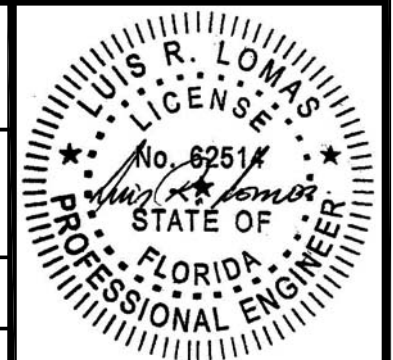
PROVIA, LLC.
 2150 STATE ROUTE 39 WEST
 SUGARCREEK, OH 44681

STEEL OUTSWING GLAZED SINGLE DOOR
 W/SIDELITES - IMPACT
 APPROVED SLABS

DRAWN: J.L.	DWG NO. 08-02019	REV H
SCALE NTS	DATE 05/10/13	SHEET 12 OF 13

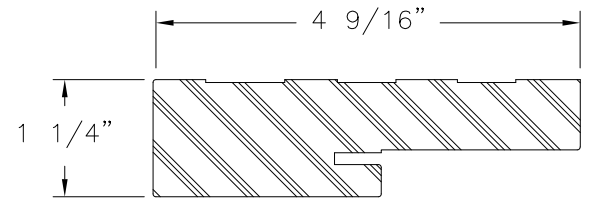
L. ROBERTO LOMAS P.E.
 1432 WOODFORD RD LEWISVILLE, NC 27023
 434-688-0609 rllomas@rlomaspe.com

SIGNED: 09/07/2021

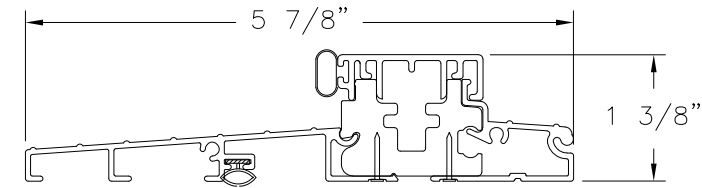


Luis R. Lomas P.E.
 FL No.: 62514

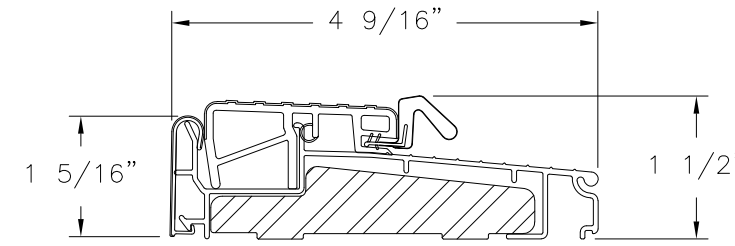
REVISIONS			
REV	DESCRIPTION	DATE	APPROVED
H	ADDED MULTILITE PANELS & TRIMS	08/17/2021	R.L.



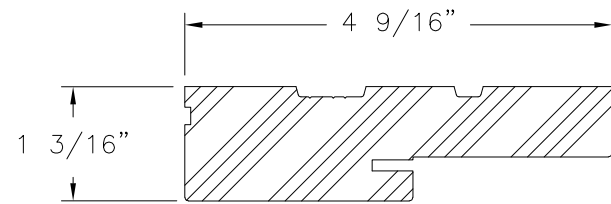
COMPOSITE FRAME PROFILE



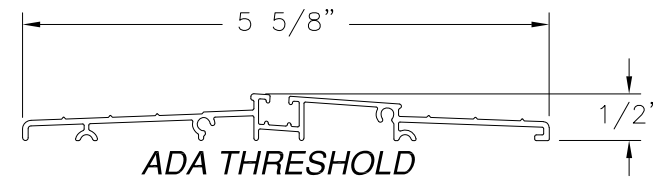
STANDARD OUTSWING THRESHOLD



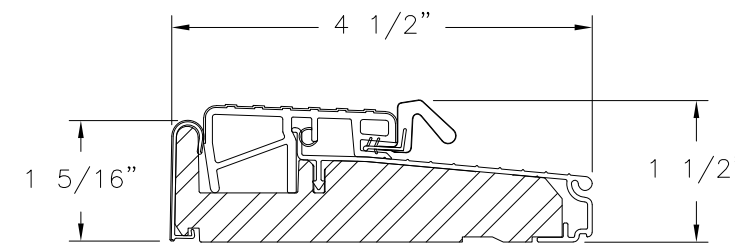
OUTSWING SILL ZOBL4565



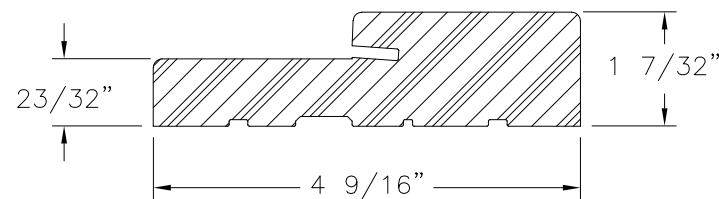
WOOD FRAME PROFILE



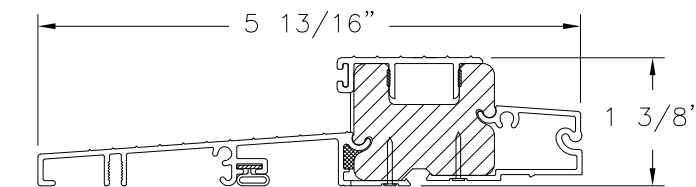
ADA THRESHOLD



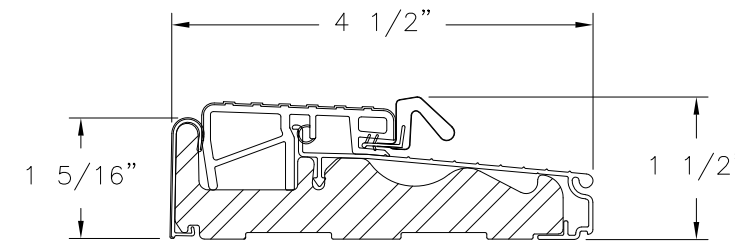
OUTSWING SILL ZOB4565F



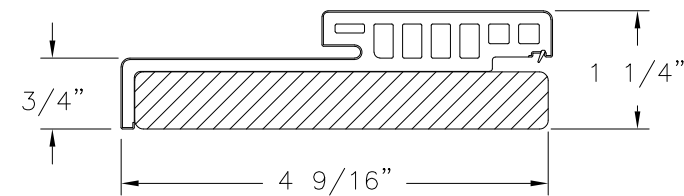
**FRAMESAVER
COMPOSITE**



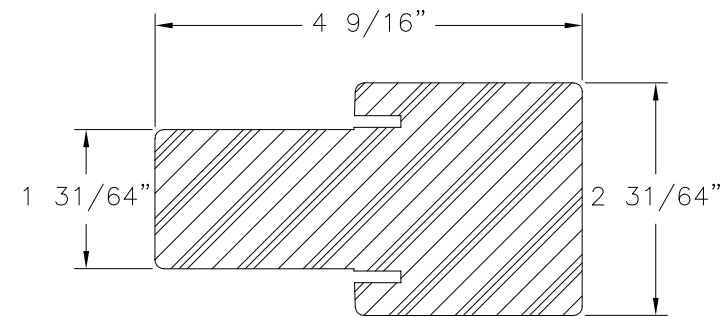
SAHARA OUTSWING THRESHOLD



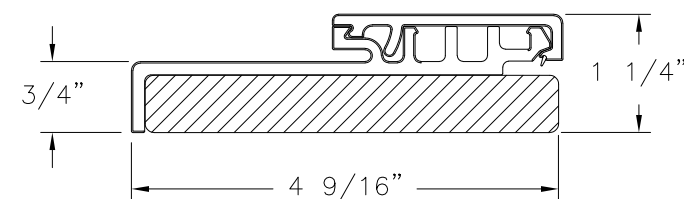
OUTSWING SILL ZOBLH4565



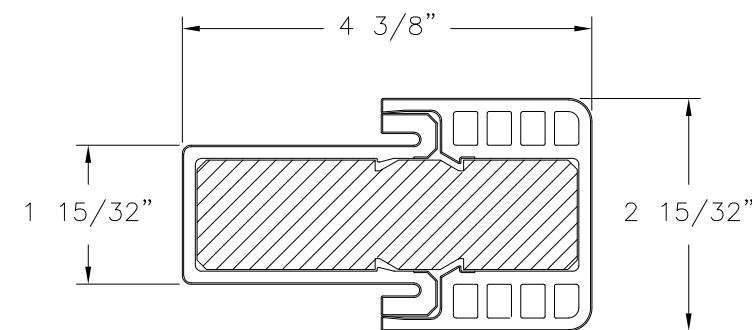
**HYBRID HEAD
WOOD/COMPOSITE**



**FAT BOY MULLION
COMPOSITE**



**HYBRID JAMB
WOOD/COMPOSITE**



**HYBRID FAT BOY MULLION
COMPOSITE**

SIGNED: 09/07/2021

PROVIA, LLC.
2150 STATE ROUTE 39 WEST
SUGARCREEK, OH 44681

STEEL OUTSWING GLAZED SINGLE DOOR
W/SIDELITES - IMPACT
COMPONENTS

DRAWN: J.L.	DWG NO. 08-02019	REV H
SCALE NTS	DATE 05/10/13	SHEET 13 OF 13

L. ROBERTO LOMAS P.E.
1432 WOODFORD RD LEWISVILLE, NC 27023
434-688-0609 rllomas@rlomaspe.com



Luis R. Lomas P.E.
FL No.: 62514