

REVISIONS			
REV	DESCRIPTION	DATE	APPROVED
H	ADDED MULTILITE PANELS & TRIMS	08/12/2021	R.L.

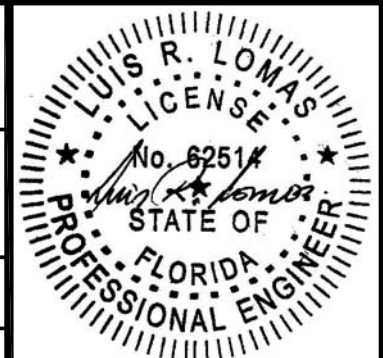
NOTES:

1. THE PRODUCT SHOWN HEREIN IS DESIGNED AND MANUFACTURED TO COMPLY WITH REQUIREMENTS OF THE FLORIDA BUILDING CODE.
2. WOOD FRAMING, METAL STRUCTURE AND MASONRY OPENING TO BE DESIGNED AND ANCHORED TO PROPERLY TRANSFER ALL LOADS TO STRUCTURE. FRAMING AND MASONRY OPENING IS THE RESPONSIBILITY OF THE ARCHITECT OR ENGINEER OF RECORD.
3. 1X BUCK OVER MASONRY/CONCRETE IS OPTIONAL. WHERE 1X BUCK IS NOT USED DISSIMILAR MATERIALS MUST BE SEPARATED WITH APPROVED COATING OR MEMBRANE. SELECTION OF COATING OR MEMBRANE IS THE RESPONSIBILITY OF THE ARCHITECT OR ENGINEER OF RECORD.
4. ALLOWABLE STRESS INCREASE OF 1/3 WAS NOT USED IN THE DESIGN OF THE PRODUCT SHOWN HEREIN. WIND LOAD DURATION FACTOR Cd=1.6 WAS USED FOR WOOD ANCHOR CALCULATIONS.
5. FRAME MATERIAL: WOOD WITH G=.46 MINIMUM SPECIFIC GRAVITY, OR COMPOSITE, OR FRAMESAVER, OR FUSION FRAME.
DOOR SKIN MATERIAL: STEEL .033" THICK (MINIMUM)
SIDELITE SKIN MATERIAL: STEEL .022" THICK (MINIMUM)
6. UNITS MUST BE GLAZED PER ASTM E1300, SEE SHEET 12 FOR GLASS DETAILS.
7. APPROVED IMPACT PROTECTIVE SYSTEM IS NOT REQUIRED FOR THIS PRODUCT IN WIND BORNE DEBRIS REGIONS UP TO WIND ZONE 3.
8. SHIM AS REQUIRED AT EACH INSTALLATION ANCHOR WITH LOAD BEARING SHIM. SHIM WHERE SPACE OF 1/16" OR GREATER OCCURS. MAXIMUM ALLOWABLE SHIM STACK TO BE 1/4".
9. FOR ANCHORING INTO WOOD FRAMING OR 2X BUCK USE #10 WOOD SCREWS WITH SUFFICIENT LENGTH TO ACHIEVE A 1 3/8" MINIMUM EMBEDMENT INTO SUBSTRATE. LOCATE ANCHORS AS SHOWN IN ELEVATIONS AND INSTALLATION DETAILS.
10. FOR ANCHORING INTO MASONRY/CONCRETE USE 3/16" TAPCONS WITH SUFFICIENT LENGTH TO ACHIEVE A 1 3/4" MINIMUM EMBEDMENT INTO SUBSTRATE WITH 2" MINIMUM EDGE DISTANCE. LOCATE ANCHORS AS SHOWN IN ELEVATIONS AND INSTALLATION DETAILS.
11. FOR ANCHORING INTO METAL STRUCTURE USE #10 SMS OR SELF DRILLING SCREWS WITH SUFFICIENT LENGTH TO ACHIEVE 3 THREADS MINIMUM BEYOND STRUCTURE INTERIOR WALL. LOCATE ANCHORS AS SHOWN IN ELEVATIONS AND INSTALLATION DETAILS.
12. ALL FASTENERS TO BE CORROSION RESISTANT.
13. INSTALLATION ANCHORS SHALL BE INSTALLED IN ACCORDANCE WITH ANCHOR MANUFACTURER'S INSTALLATION INSTRUCTIONS AND ANCHORS SHALL NOT BE USED IN SUBSTRATES WITH STRENGTHS LESS THAN THE MINIMUM STRENGTH SPECIFIED BELOW:
 - A. WOOD – MINIMUM SPECIFIC GRAVITY OF G=0.42
 - B. CONCRETE – MINIMUM COMPRESSIVE STRENGTH OF 3,192 PSI.
 - C. MASONRY – GROUT FILLED STRENGTH CONFORMANCE TO ASTM C-90, GRADE N, TYPE 1 (OR GREATER).
 - D. METAL STRUCTURE: STEEL 18GA, 33KSI OR ALUMINUM 6063-T5 .048" THICK MINIMUM
14. DOOR CONSTRUCTION MAYBE CONTINUOUS HEAD FRAME AND CONTINUOUS THRESHOLD OR BOX CONSTRUCTION.

TABLE OF CONTENTS	
SHEET NO.	DESCRIPTION
1	NOTES
2 – 3	ELEVATIONS AND APPROVED CONFIGURATIONS
4	ANCHORING LAYOUTS
5 – 11	INSTALLATION DETAILS
12	GLAZING AND HINGES DETAILS
13 – 15	APPROVED SLABS, MULLION DETAILS AND COMPONENTS

PROVIA, LLC. 2150 STATE ROUTE 39 WEST SUGARCREEK, OH 44681		
STEEL OUTSWING GLAZED SINGLE DOOR W/SIDELITES AND TRANSOM – IMPACT NOTES		
DRAWN: V.L.	DWG NO. 08-02021	REV H
SCALE NTS	DATE 04/22/13	SHEET 1 OF 15
L. ROBERTO LOMAS P.E. 1432 WOODFORD RD LEWISVILLE, NC 27023 434-688-0609 rllomas@rlomaspe.com		

SIGNED: 09/07/2021

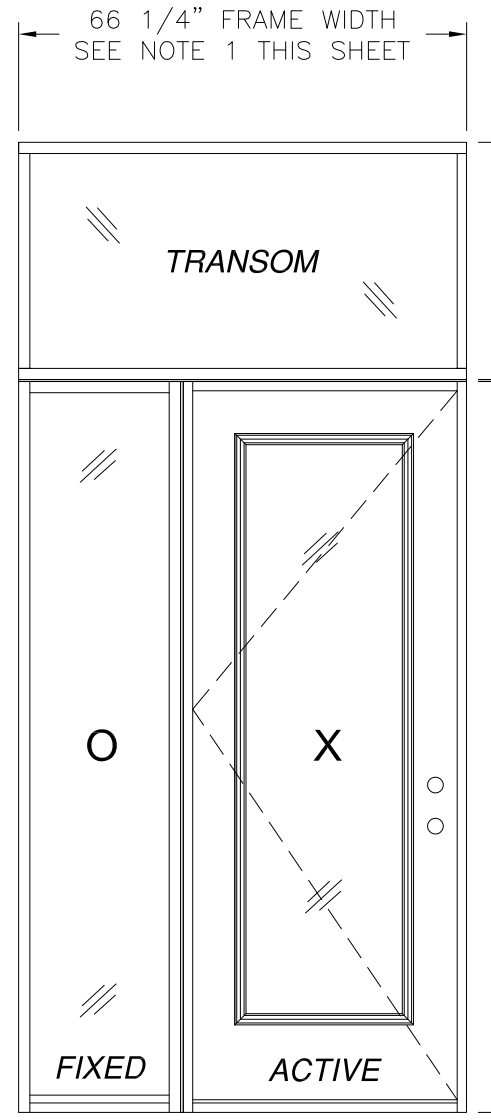


Luis R. Lomas P.E.
FL No.: 62514

REVISIONS			
REV	DESCRIPTION	DATE	APPROVED
H	ADDED MULTILITE PANELS & TRIMS	08/12/2021	R.L.



SINGLE DOOR W/ STD SIDELITE AND TRANSOM
EXTERIOR VIEW
OX SHOWN XO ALSO APPROVED



SINGLE DOOR W/ DIRECT SET SIDELITE AND TRANSOM
EXTERIOR VIEW
OX SHOWN XO ALSO APPROVED

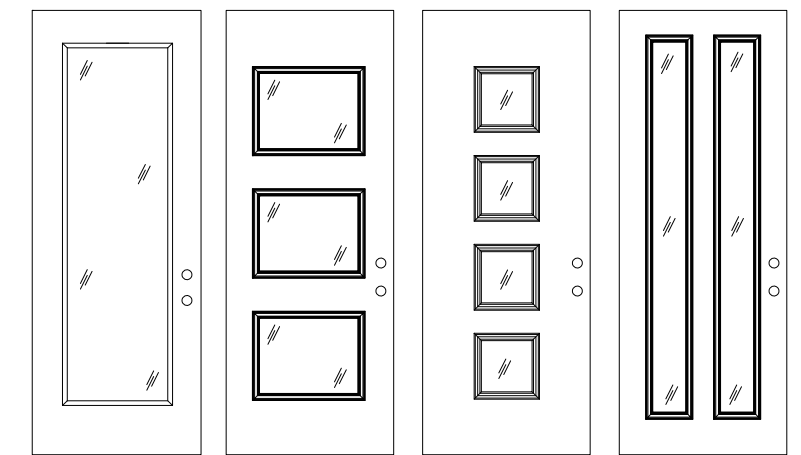
DESIGN PRESSURE RATING	IMPACT RATING
±55.0PSF	LARGE MISSILE IMPACT

MISSILE LEVEL D, WIND ZONE 3

35 3/4" x 94 15/16" PANEL SIZE SHOWN. OTHER SIZES ARE APPROVED AS LONG AS INDIVIDUAL PANEL AREA DOES NOT EXCEED 23.56 FT²

1/2" MULLION MINIMUM SEE NOTE 3 THIS SHEET & DETAILS B & C SHEET 13

APPROVED LITE CONFIGURATIONS



FULL LITE 3 LITE 4 LITE 2 LITE
LITE CONFIGURATIONS SHOWN ARE FOR REFERENCE ONLY. MULTIPLE LITE CONFIGURATIONS ARE APPROVED AS LONG AS LITE SIZE DOES NOT EXCEED 11.1 FT²

- NOTES:
1. MAXIMUM ALLOWED BUILDUP TO BE 7".
 2. IF SIDELITE WIDTH IS 16" OR LESS NO VERTICAL MULLION IS REQUIRED.
 3. IF TRANSOM HEIGHT IS 16" OR LESS NO HORIZONTAL MULLION IS REQUIRED.

SIGNED: 09/07/2021

PROVIA, LLC.
2150 STATE ROUTE 39 WEST
SUGARCREEK, OH 44681

STEEL OUTSWING GLAZED SINGLE DOOR W/SIDELITES AND TRANSOM – IMPACT ELEVATIONS AND APPROVED CONFIGURATIONS

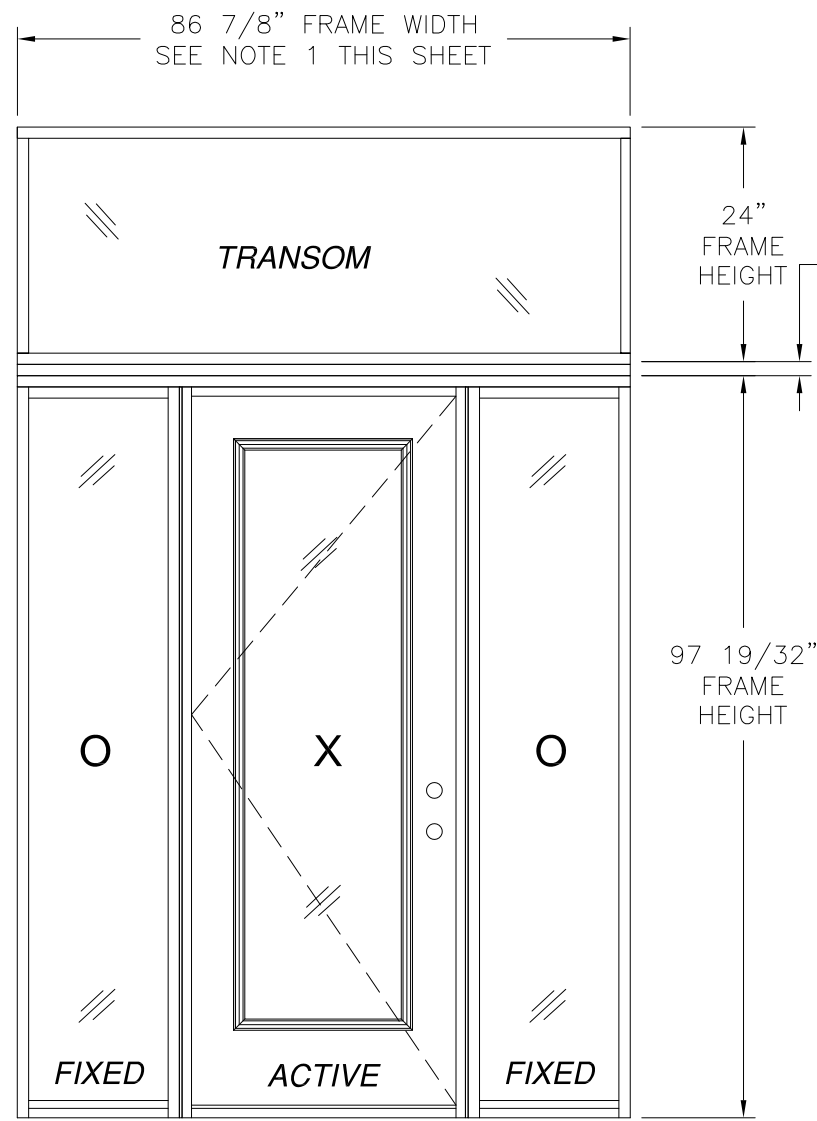
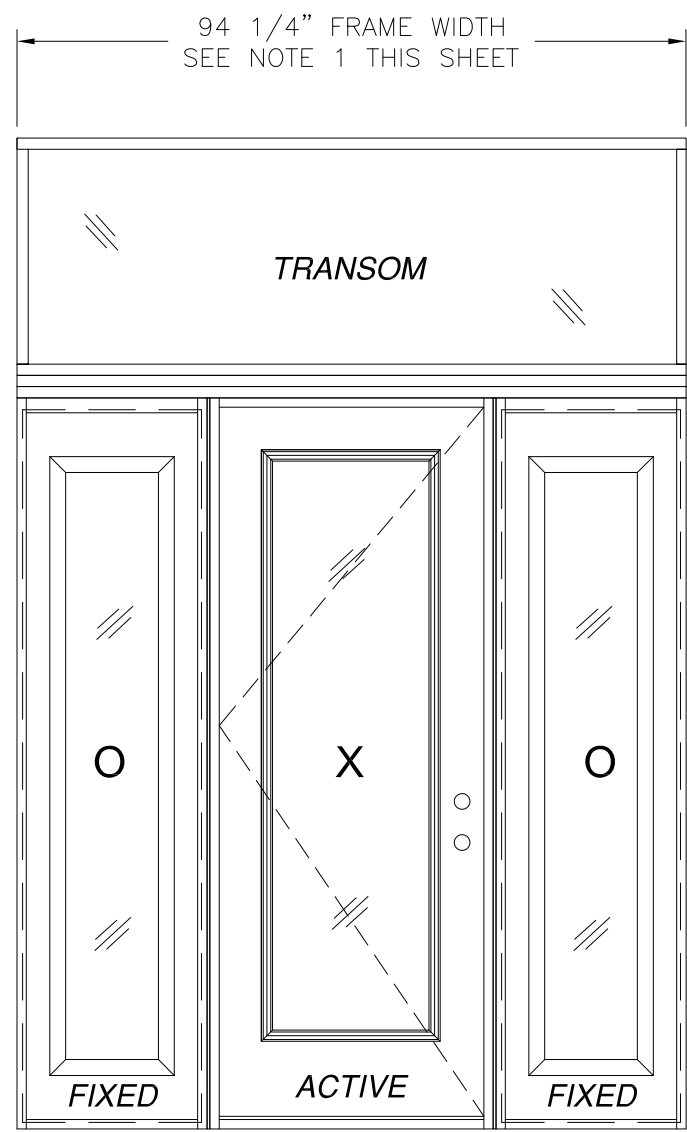
DRAWN: V.L.	DWG NO. 08-02021	REV H
SCALE NTS	DATE 04/22/13	SHEET 2 OF 15

L. ROBERTO LOMAS P.E.
1432 WOODFORD RD LEWISVILLE, NC 27023
434-688-0609 rllomas@rlomaspe.com



Luis R. Lomas P.E.
FL No.: 62514

REVISIONS			
REV	DESCRIPTION	DATE	APPROVED
H	ADDED MULTILITE PANELS & TRIMS	08/12/2021	R.L.



1 3/4" MULLION MINIMUM SEE DETAIL D SHEET 13

3/8" MULLION MINIMUM SEE NOTES 1 AND 2 THIS SHEET & DETAILS A & C SHEET 13

3/8" MULLION MINIMUM SEE NOTES 1 AND 2 THIS SHEET & DETAILS A & C SHEET 13

3/8" MULLION MINIMUM SEE NOTES 1 AND 2 THIS SHEET & DETAIL A & C SHEET 13

3/8" MULLION MINIMUM SEE NOTES 1 AND 2 THIS SHEET & DETAILS A & C SHEET 13

- NOTES:
1. MAXIMUM ALLOWED BUILDUP TO BE 3" AT EACH VERTICAL MULLION.
 2. IF SIDELITE WIDTH IS 16" OR LESS NO VERTICAL MULLION IS REQUIRED

SINGLE DOOR W/ STD SIDELITES AND TRANSOM EXTERIOR VIEW

SINGLE DOOR W/ DIRECT SET SIDELITES AND TRANSOM EXTERIOR VIEW

DESIGN PRESSURE RATING	IMPACT RATING
±55.0PSF	LARGE MISSILE IMPACT

MISSILE LEVEL D, WIND ZONE 3
35 3/4" x 94 15/16" PANEL SIZE SHOWN. OTHER SIZES ARE APPROVED AS LONG AS INDIVIDUAL PANEL AREA DOES NOT EXCEED 23.56 FT²

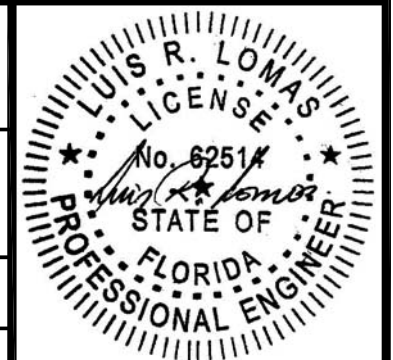
SIGNED: 09/07/2021

PROVIA, LLC.
2150 STATE ROUTE 39 WEST
SUGARCREEK, OH 44681

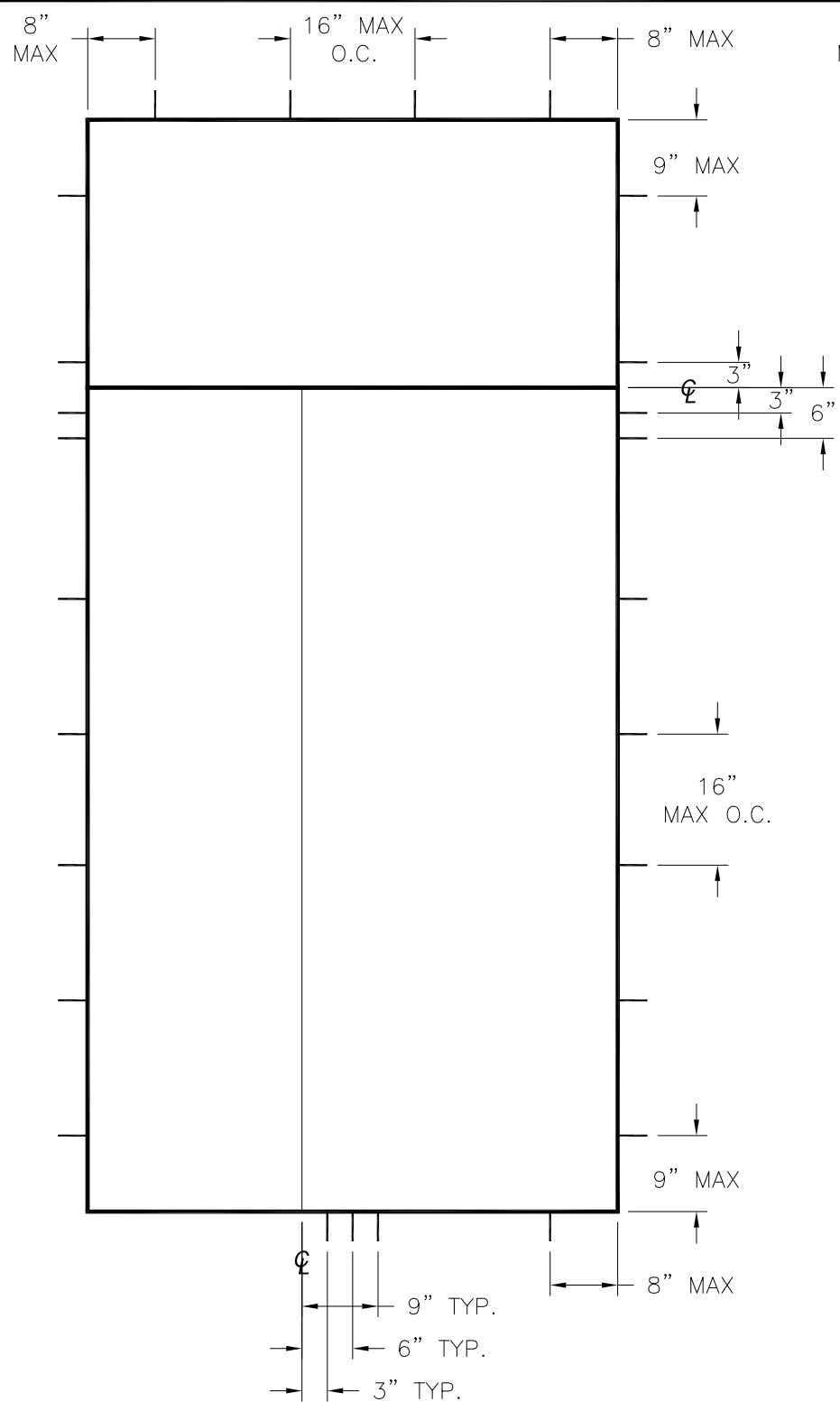
STEEL OUTSWING GLAZED SINGLE DOOR W/SIDELITES AND TRANSOM – IMPACT ELEVATIONS AND APPROVED CONFIGURATIONS

DRAWN: V.L.	DWG NO. 08-02021	REV H
SCALE NTS	DATE 04/22/13	SHEET 3 OF 15

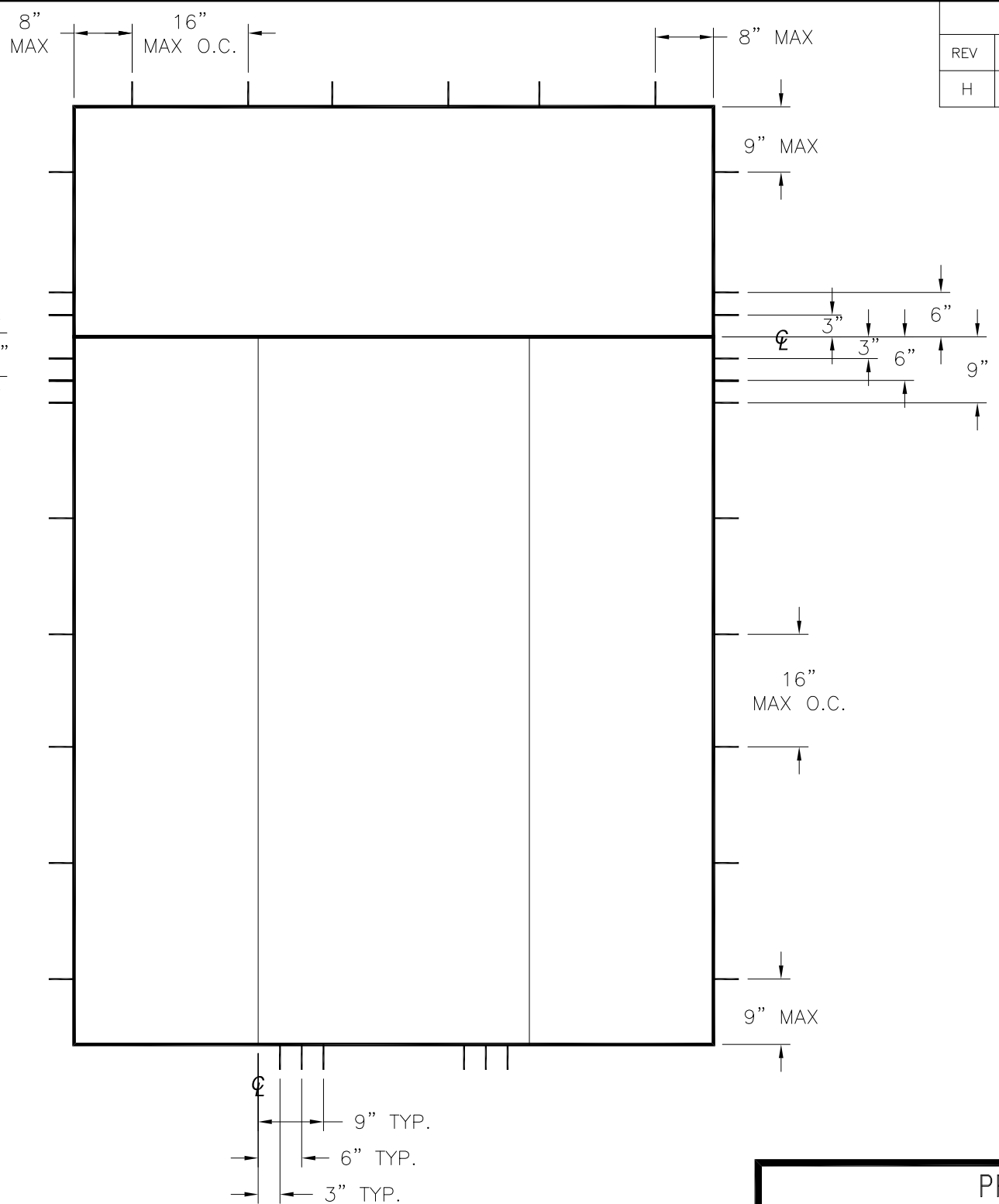
L. ROBERTO LOMAS P.E.
1432 WOODFORD RD LEWISVILLE, NC 27023
434-688-0609 rllomas@lrlomaspe.com



Luis R. Lomas P.E.
FL No.: 62514



SINGLE W/SIDELITE AND TRANSOM



SINGLE W/SIDELITES AND TRANSOM

REVISIONS			
REV	DESCRIPTION	DATE	APPROVED
H	ADDED MULTILITE PANELS & TRIMS	08/12/2021	R.L.

HARDWARE SCHEDULE	
A.	F-SERIES LOCK ASSEMBLY DOOR KNOB BY SCHLAGE.
B.	B-SERIES DEADBOLT ASSEMBLY BY SCHLAGE.
C.	F-SERIES DEADBOLT ASSEMBLY BY SCHLAGE.
D.	RESIDENTIAL GRADE DOOR HANDLE ASSEMBLY BY EMTEK (ALTERNATE).
E.	MULTI-POINT LOCK HANDLE ASSEMBLY BY TRILENNIUM (ALTERNATE).
F.	(3) 4" x 4" BALL BEARING HINGES BY PENROD.
G.	(3) 4" x 4" SPRING BOMMER HINGES BY PENROD. (ALTERNATE)

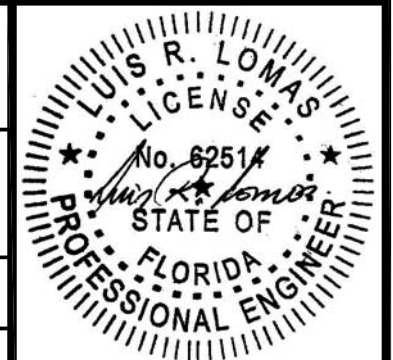
PROVIA, LLC.
 2150 STATE ROUTE 39 WEST
 SUGARCREEK, OH 44681

STEEL OUTSWING GLAZED SINGLE DOOR W/SIDELITES
 AND TRANSOM – IMPACT
 ANCHORING LAYOUTS

DRAWN: V.L.	DWG NO. 08-02021	REV H
SCALE NTS	DATE 04/22/13	SHEET 4 OF 15

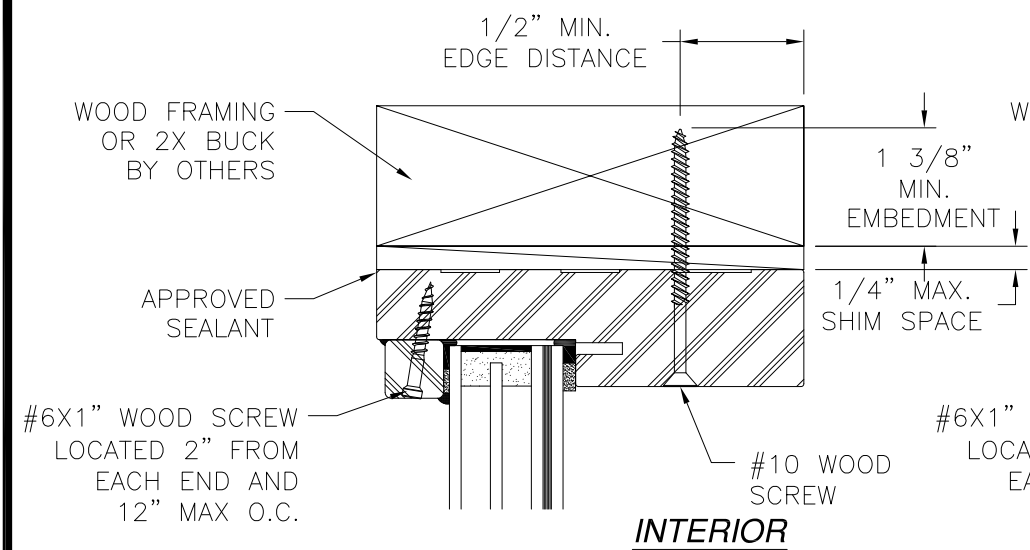
L. ROBERTO LOMAS P.E.
 1432 WOODFORD RD LEWISVILLE, NC 27023
 434-688-0609 rllomas@rlomaspe.com

SIGNED: 09/07/2021

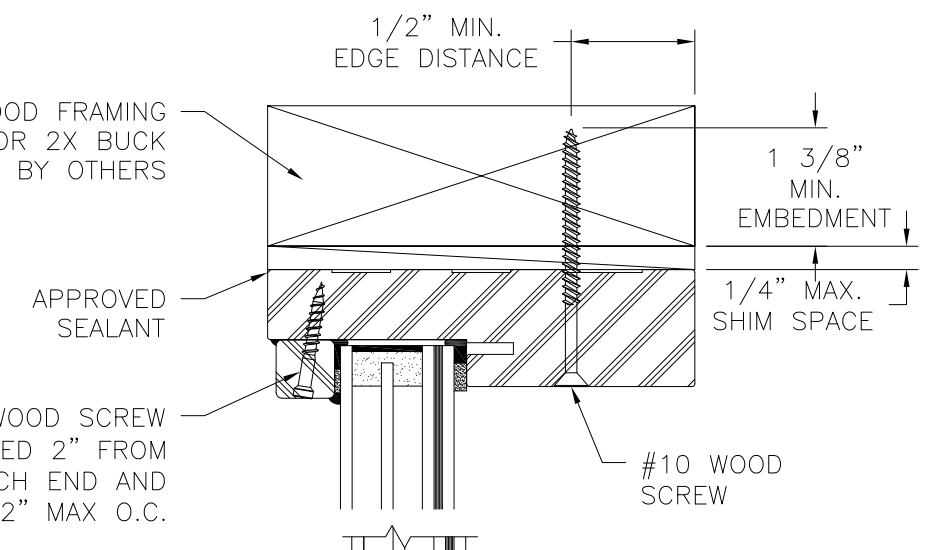


Luis R. Lomas P.E.
 FL No.: 62514

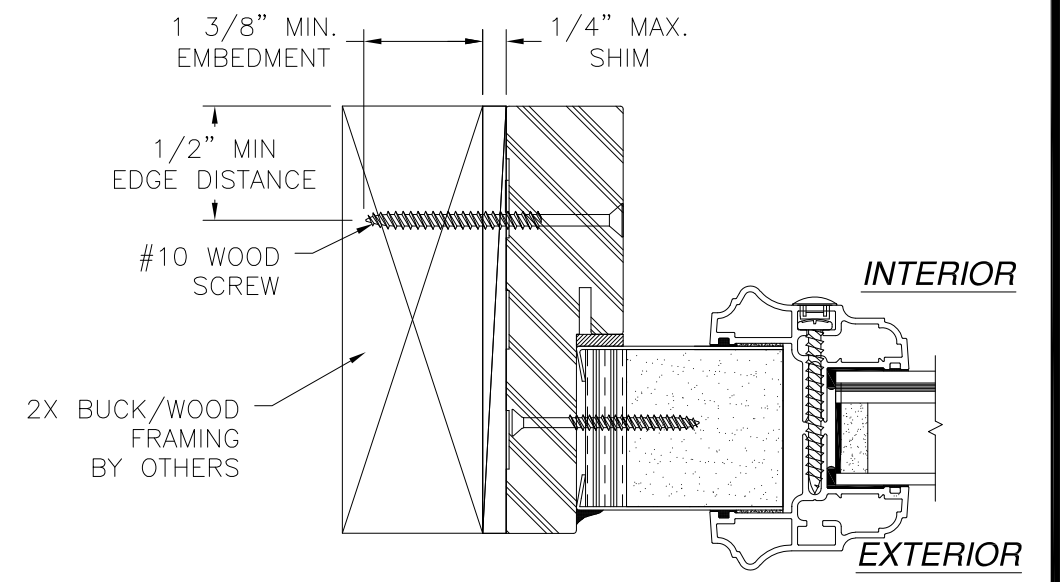
REVISIONS			
REV	DESCRIPTION	DATE	APPROVED
H	ADDED MULTILITE PANELS & TRIMS	08/12/2021	R.L.



INTERIOR



INTERIOR

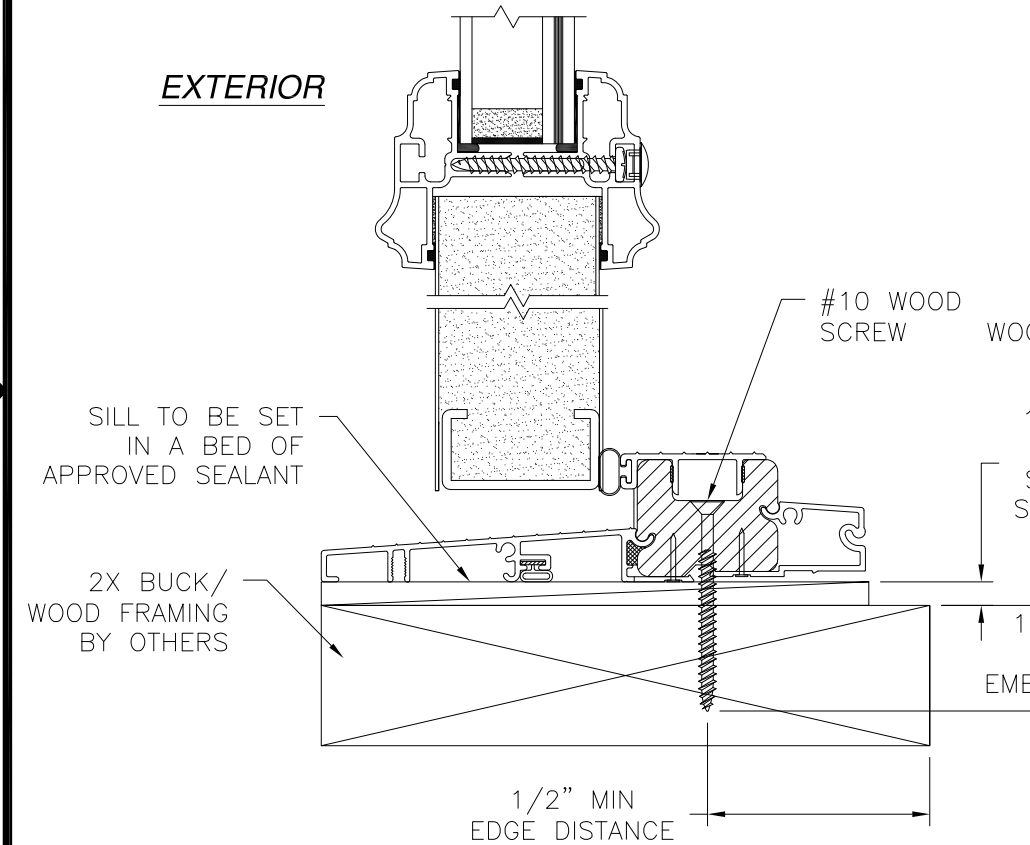


INTERIOR

EXTERIOR

HORIZONTAL CROSS SECTION

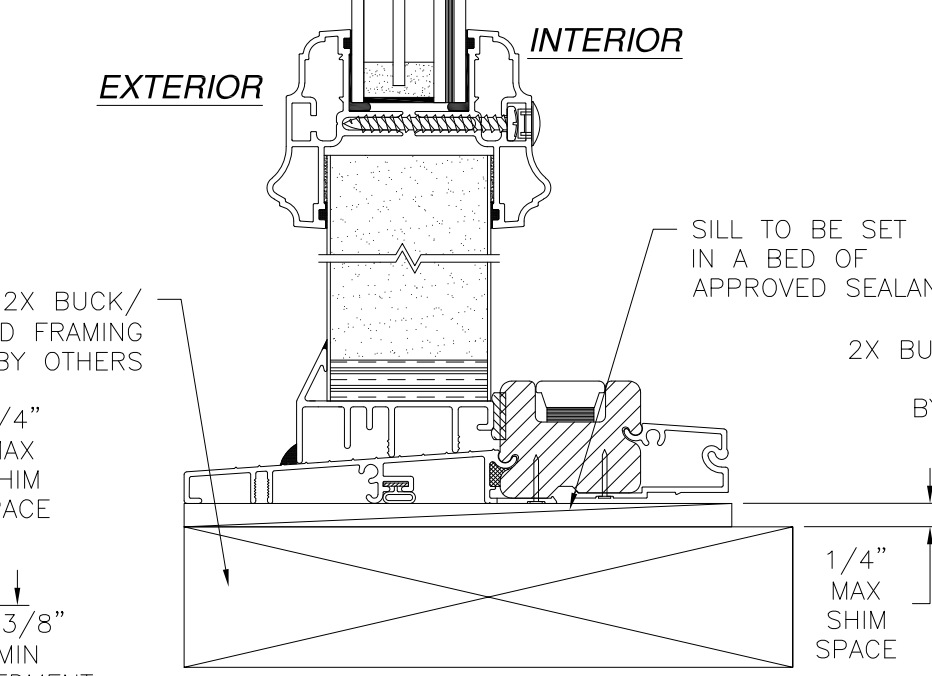
**SIDELITE INSTALLATION 2X BUCKWOOD FRAMING
STANDARD SIDELITE SHOWN
DIRECT SET SIDELITE SIMILAR**



EXTERIOR

VERTICAL CROSS SECTION

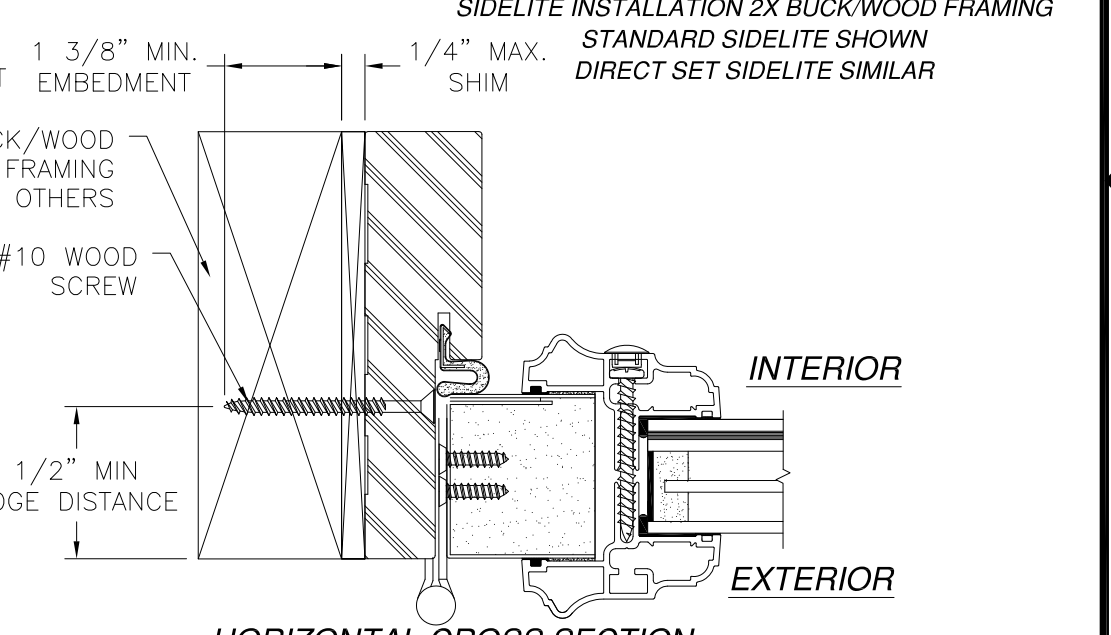
**DOOR AND TRANSOM INSTALLATION - 2X BUCK/WOOD FRAMING
TRANSOM HEAD SHOWN
TRANSOM JAMB SIMILAR**



EXTERIOR

VERTICAL CROSS SECTION

**SIDELITE AND TRANSOM INSTALLATION 2X BUCKWOOD FRAMING
STANDARD SIDELITE SHOWN
DIRECT SET SIDELITE SIMILAR
TRANSOM HEAD SHOWN
TRANSOM JAMB SIMILAR**



INTERIOR

EXTERIOR

HORIZONTAL CROSS SECTION

DOOR INSTALLATION - 2X BUCK/WOOD FRAMING SIGNED: 09/07/2021

- NOTES:**
1. INTERIOR AND EXTERIOR FINISHES, BY OTHERS, NOT SHOWN FOR CLARITY.
 2. PERIMETER AND JOINT SEALANT BY OTHERS TO BE DESIGNED IN ACCORDANCE WITH ASTM E2112

PROVIA, LLC.
2150 STATE ROUTE 39 WEST
SUGARCREEK, OH 44681

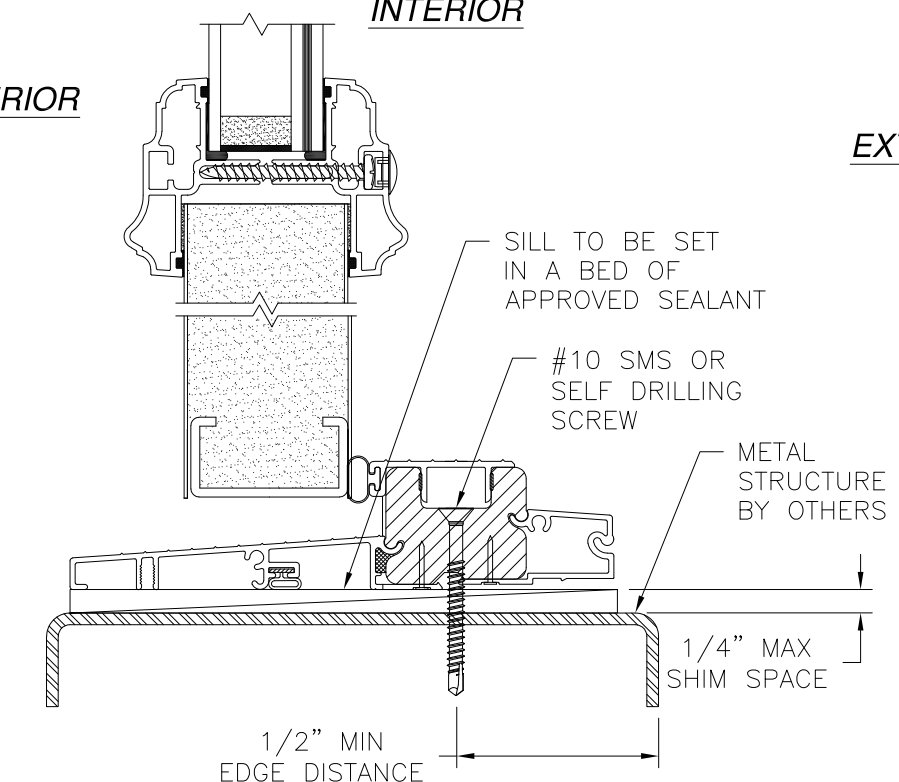
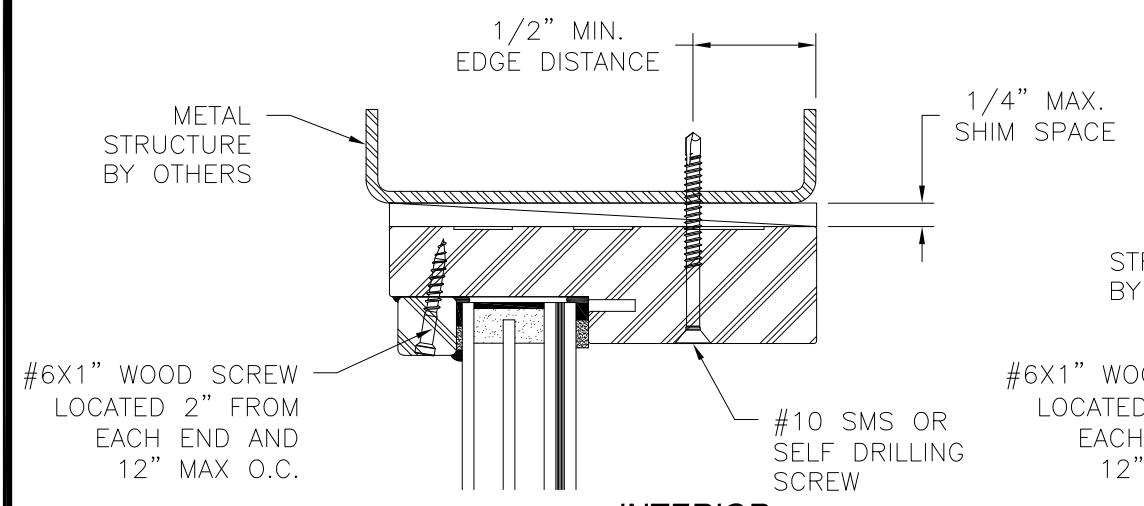
STEEL OUTSWING GLAZED SINGLE DOOR W/SIDELITES
AND TRANSOM - IMPACT
INSTALLATION DETAILS

DRAWN: V.L.	DWG NO. 08-02021	REV H
SCALE NTS	DATE 04/22/13	SHEET 5 OF 15

L. ROBERTO LOMAS P.E.
1432 WOODFORD RD LEWISVILLE, NC 27023
434-688-0609 rllomas@rlomaspe.com

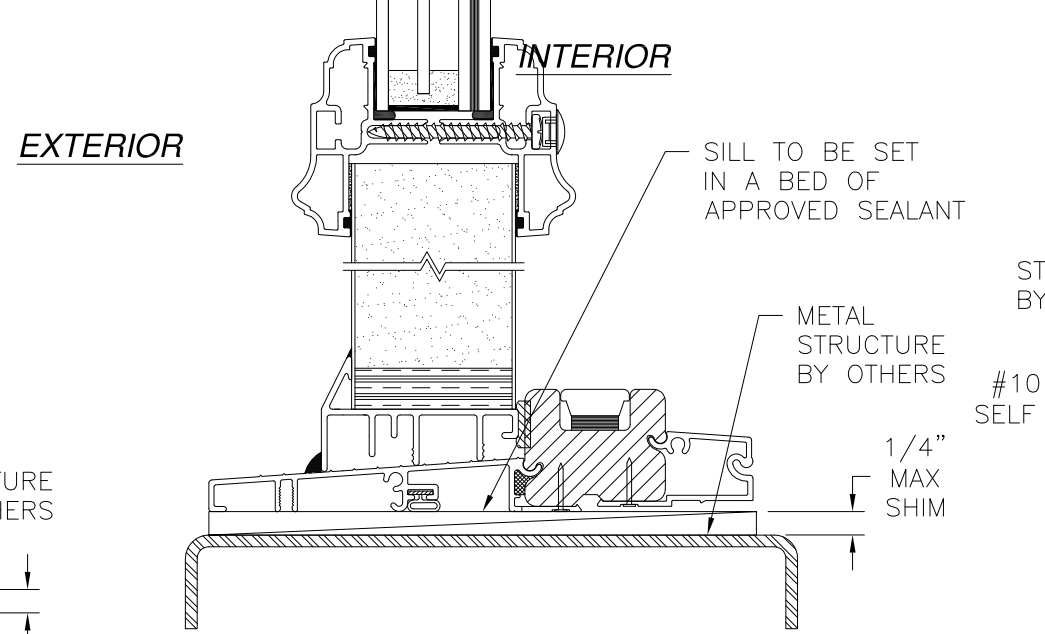
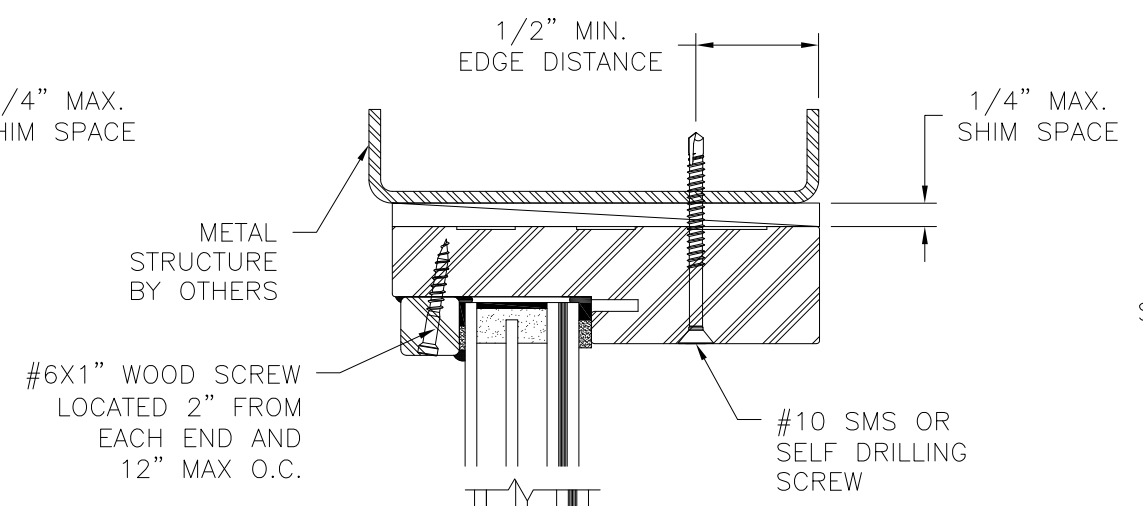
Luis R. Lomas P.E.
FL No.: 62514

REVISIONS			
REV	DESCRIPTION	DATE	APPROVED
H	ADDED MULTILITE PANELS & TRIMS	08/12/2021	R.L.

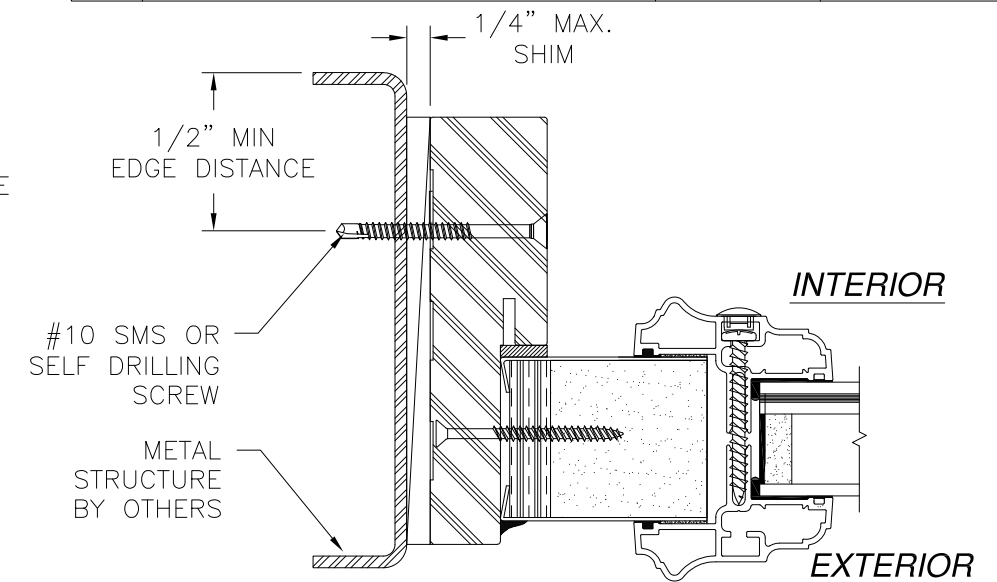


VERTICAL CROSS SECTION
 DOOR AND TRANSOM INSTALLATION METAL STRUCTURE
 TRANSOM HEAD SHOWN
 TRANSOM JAMB SIMILAR

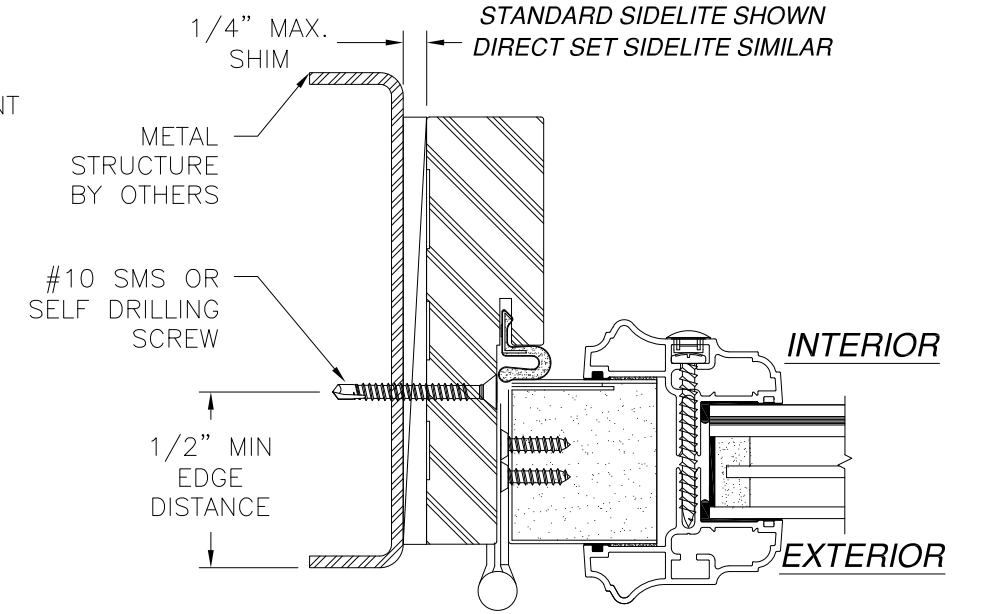
- NOTES:
1. INTERIOR AND EXTERIOR FINISHES, BY OTHERS, NOT SHOWN FOR CLARITY.
 2. PERIMETER AND JOINT SEALANT BY OTHERS TO BE DESIGNED IN ACCORDANCE WITH ASTM E2112



VERTICAL CROSS SECTION
 SIDELITE AND TRANSOM INSTALLATION METAL STRUCTURE
 STANDARD SIDELITE SHOWN
 DIRECT SET SIDELITE SIMILAR
 TRANSOM HEAD SHOWN
 TRANSOM JAMB SIMILAR



HORIZONTAL CROSS SECTION
 SIDELITE INSTALLATION METAL STRUCTURE
 STANDARD SIDELITE SHOWN
 DIRECT SET SIDELITE SIMILAR



HORIZONTAL CROSS SECTION
 DOOR INSTALLATION METAL STRUCTURE SIGNED: 09/07/2021

PROVIA, LLC.
 2150 STATE ROUTE 39 WEST
 SUGARCREEK, OH 44681

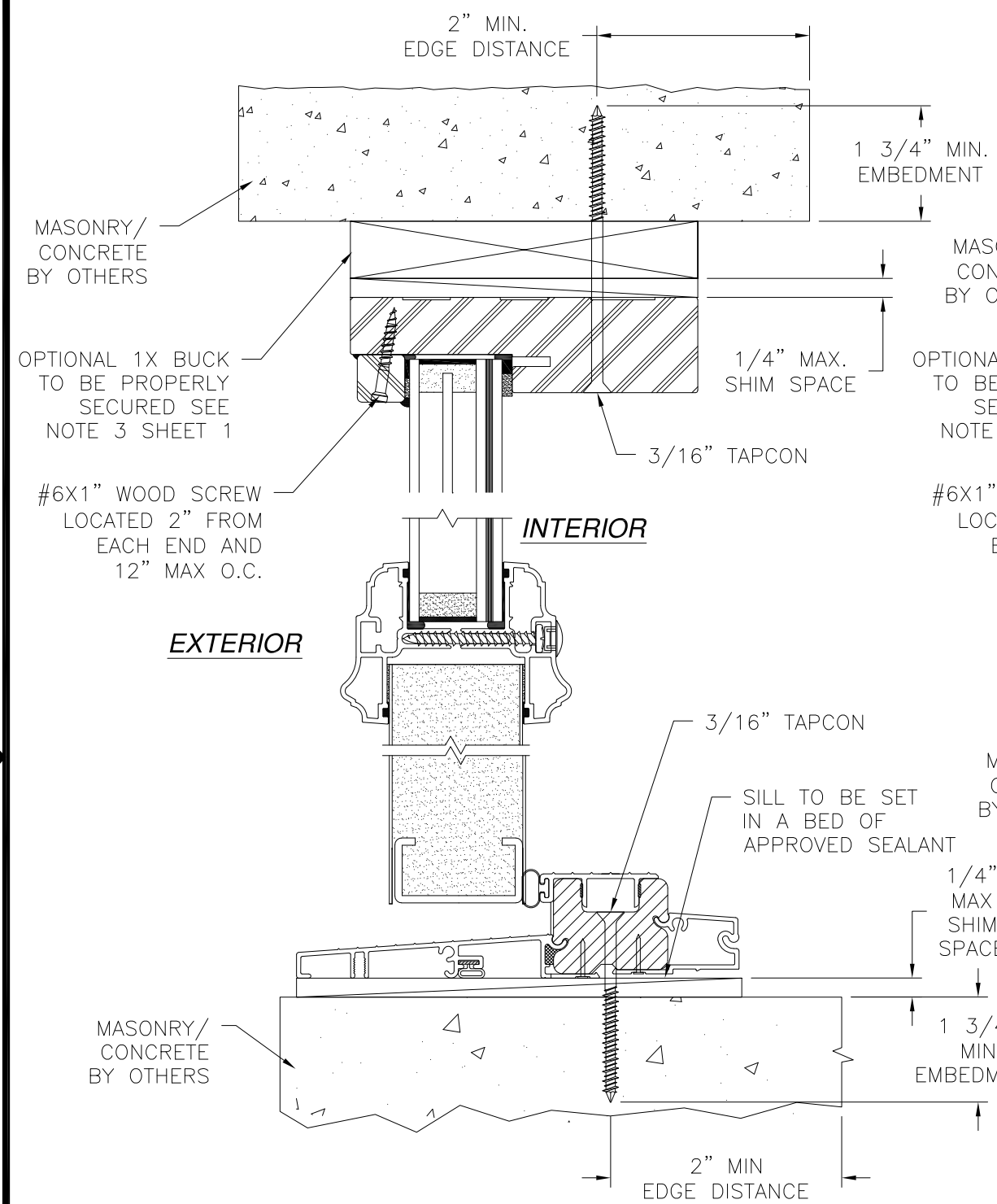
STEEL OUTSWING GLAZED SINGLE DOOR W/SIDELITES
 AND TRANSOM – IMPACT
 INSTALLATION DETAILS

DRAWN: V.L.	DWG NO. 08-02021	REV H
SCALE NTS	DATE 04/22/13	SHEET 6 OF 15

L. ROBERTO LOMAS P.E.
 1432 WOODFORD RD LEWISVILLE, NC 27023
 434-688-0609 rllomas@rlomaspe.com

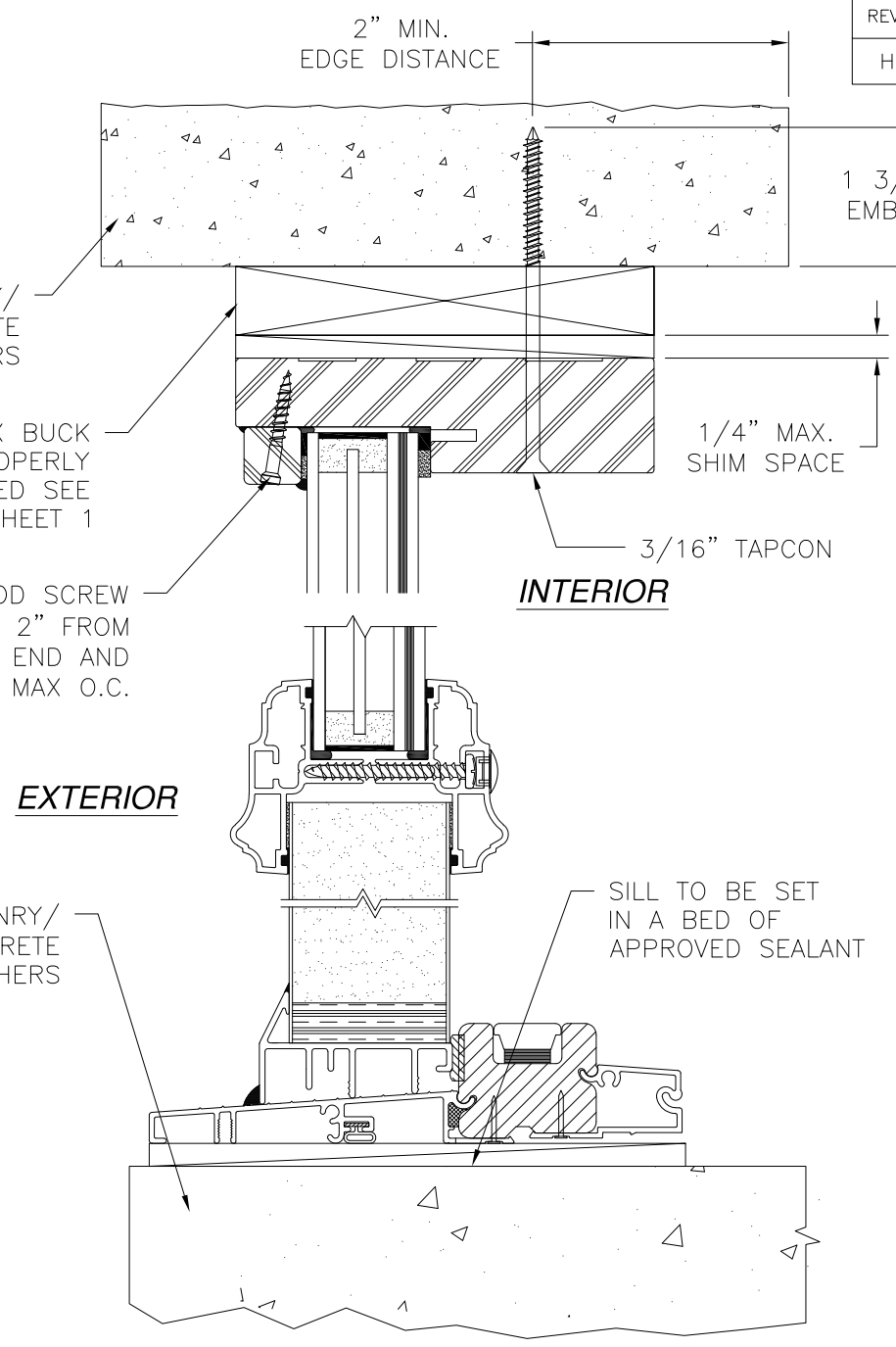
Luis R. Lomas P.E.
 FL No.: 62514

REVISIONS			
REV	DESCRIPTION	DATE	APPROVED
H	ADDED MULTILITE PANELS & TRIMS	08/12/2021	R.L.



VERTICAL CROSS SECTION
 DOOR AND TRANSOM INSTALLATION MASONRY/CONCRETE
 TRANSOM HEAD SHOWN
 TRANSOM JAMB SIMILAR

- NOTES:
1. INTERIOR AND EXTERIOR FINISHES, BY OTHERS, NOT SHOWN FOR CLARITY.
 2. PERIMETER AND JOINT SEALANT BY OTHERS TO BE DESIGNED IN ACCORDANCE WITH ASTM E2112



VERTICAL CROSS SECTION
 SIDELITE AND TRANSOM INSTALLATION MASONRY/CONCRETE
 STANDARD SIDELITE SHOWN
 DIRECT SET SIDELITE SIMILAR
 TRANSOM HEAD SHOWN
 TRANSOM JAMB SIMILAR

PROVIA, LLC.
 2150 STATE ROUTE 39 WEST
 SUGARCREEK, OH 44681

STEEL OUTSWING GLAZED SINGLE DOOR W/SIDELITES
 AND TRANSOM – IMPACT
 INSTALLATION DETAILS

DRAWN: V.L.	DWG NO. 08-02021	REV H
SCALE NTS	DATE 04/22/13	SHEET 7 OF 15

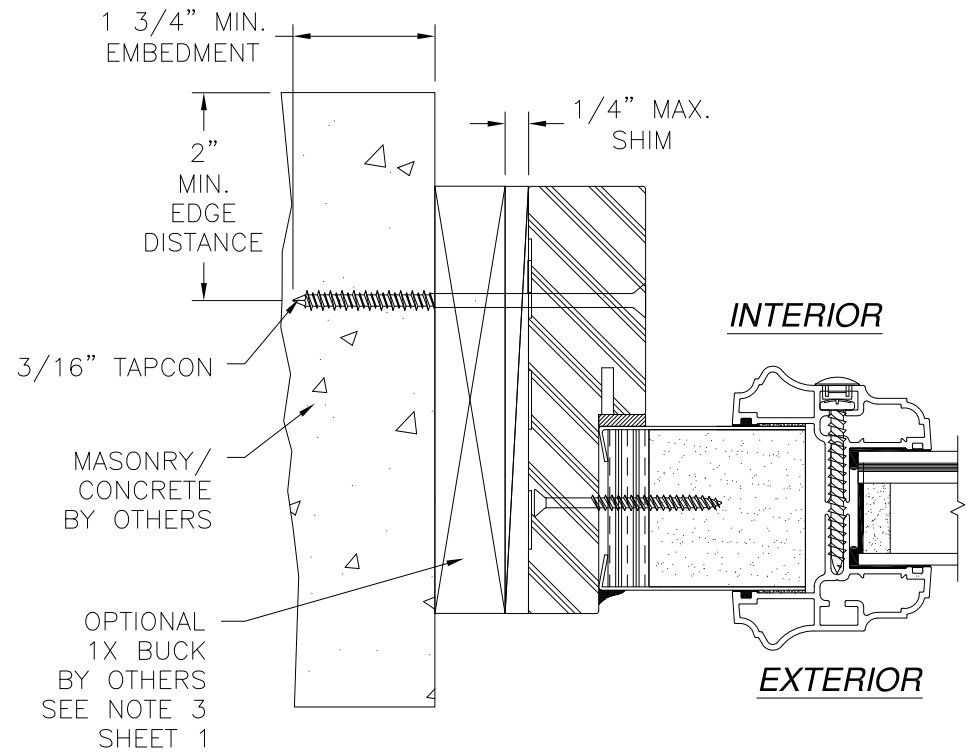
L. ROBERTO LOMAS P.E.
 1432 WOODFORD RD LEWISVILLE, NC 27023
 434-688-0609 rllomas@rlomaspe.com

SIGNED: 09/07/2021

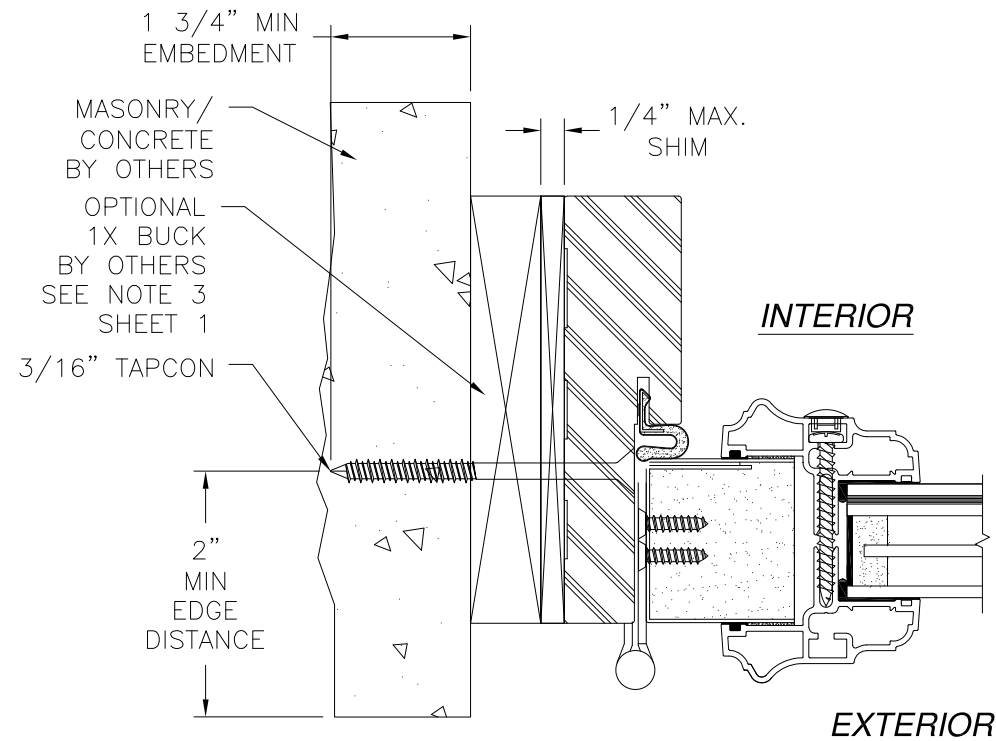


Luis R. Lomas P.E.
 FL No.: 62514

REVISIONS			
REV	DESCRIPTION	DATE	APPROVED
H	ADDED MULTILITE PANELS & TRIMS	08/12/2021	R.L.



HORIZONTAL CROSS SECTION
SIDELITE INSTALLATION CONCRETE/MASONRY
 STANDARD SIDELITE SHOWN
 DIRECT SET SIDELITE SIMILAR



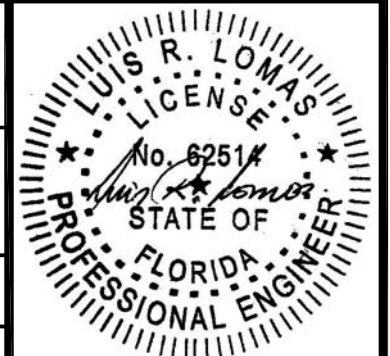
HORIZONTAL CROSS SECTION
DOOR INSTALLATION CONCRETE/MASONRY

NOTES:

1. INTERIOR AND EXTERIOR FINISHES, BY OTHERS, NOT SHOWN FOR CLARITY.
2. PERIMETER AND JOINT SEALANT BY OTHERS TO BE DESIGNED IN ACCORDANCE WITH ASTM E2112

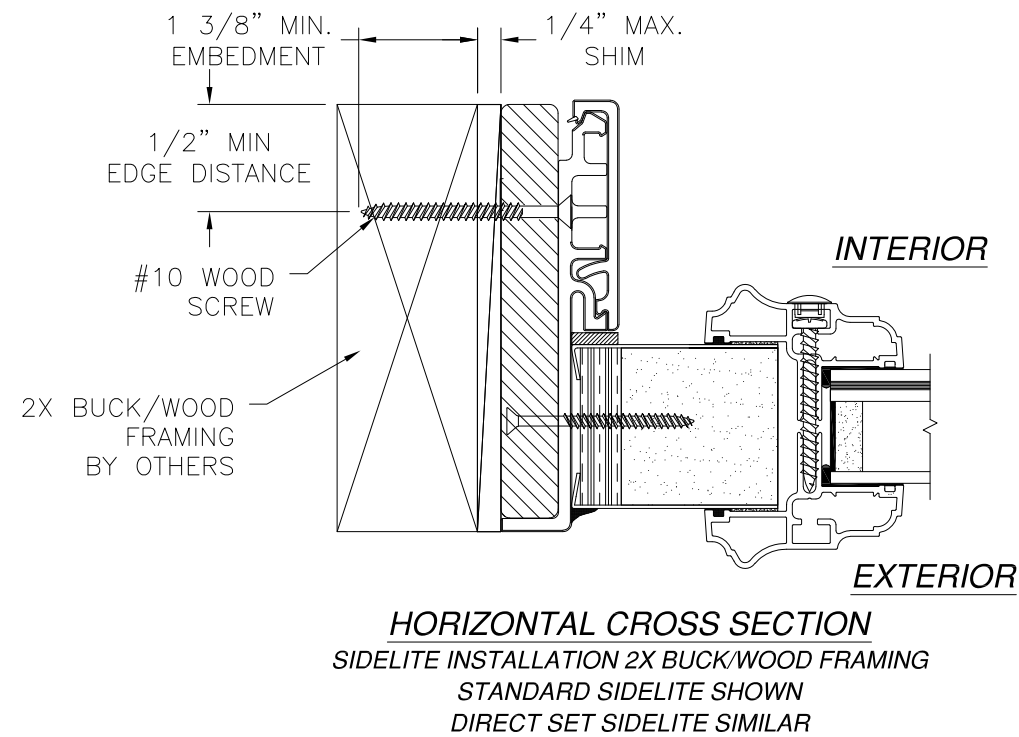
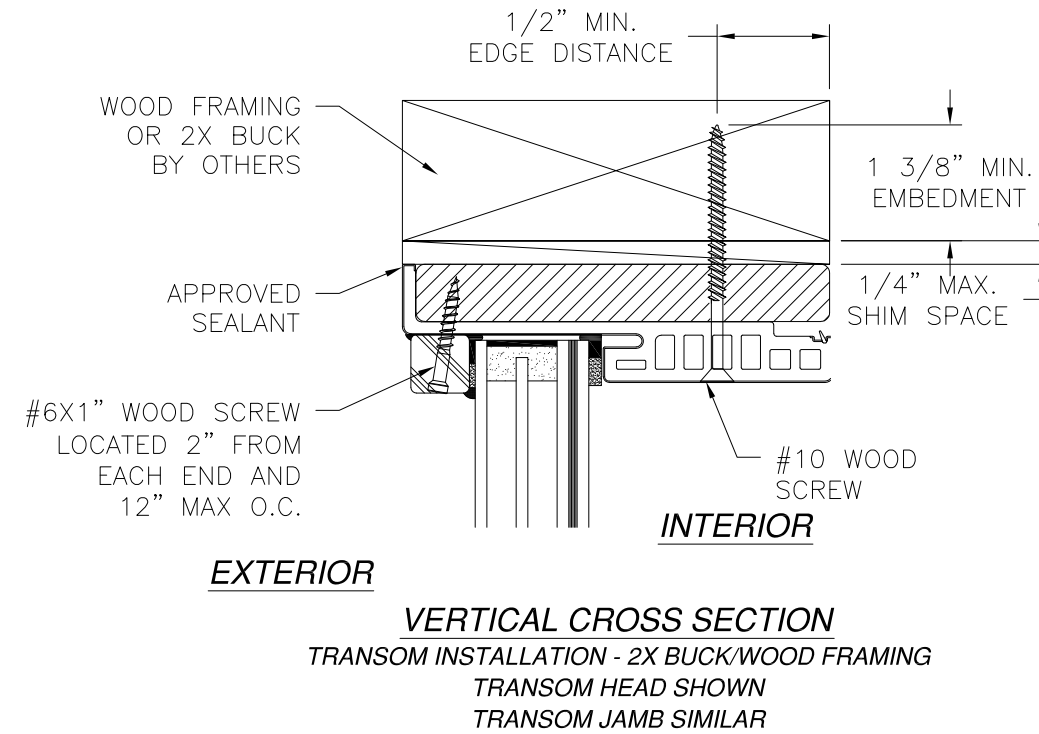
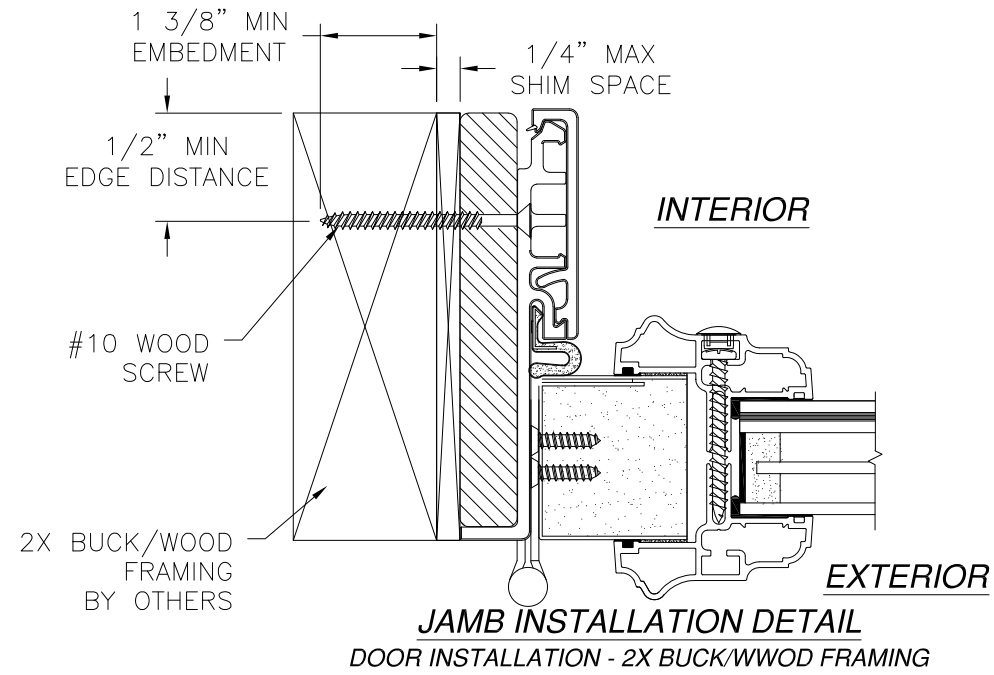
SIGNED: 09/07/2021

PROVIA, LLC. 2150 STATE ROUTE 39 WEST SUGARCREEK, OH 44681		
STEEL OUTSWING GLAZED SINGLE DOOR W/SIDELITES AND TRANSOM – IMPACT INSTALLATION DETAILS		
DRAWN: V.L.	DWG NO. 08-02021	REV H
SCALE NTS	DATE 04/22/13	SHEET 8 OF 15
L. ROBERTO LOMAS P.E. 1432 WOODFORD RD LEWISVILLE, NC 27023 434-688-0609 rllomas@rlomaspe.com		



Luis R. Lomas P.E.
 FL No.: 62514

REVISIONS			
REV	DESCRIPTION	DATE	APPROVED
H	ADDED MULTILITE PANELS & TRIMS	08/12/2021	R.L.

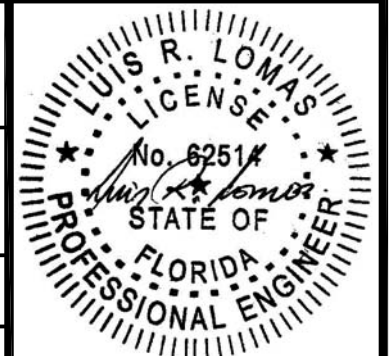


NOTES:

1. INTERIOR AND EXTERIOR FINISHES, BY OTHERS, NOT SHOWN FOR CLARITY.
2. PERIMETER AND JOINT SEALANT BY OTHERS TO BE DESIGNED IN ACCORDANCE WITH ASTM E2112

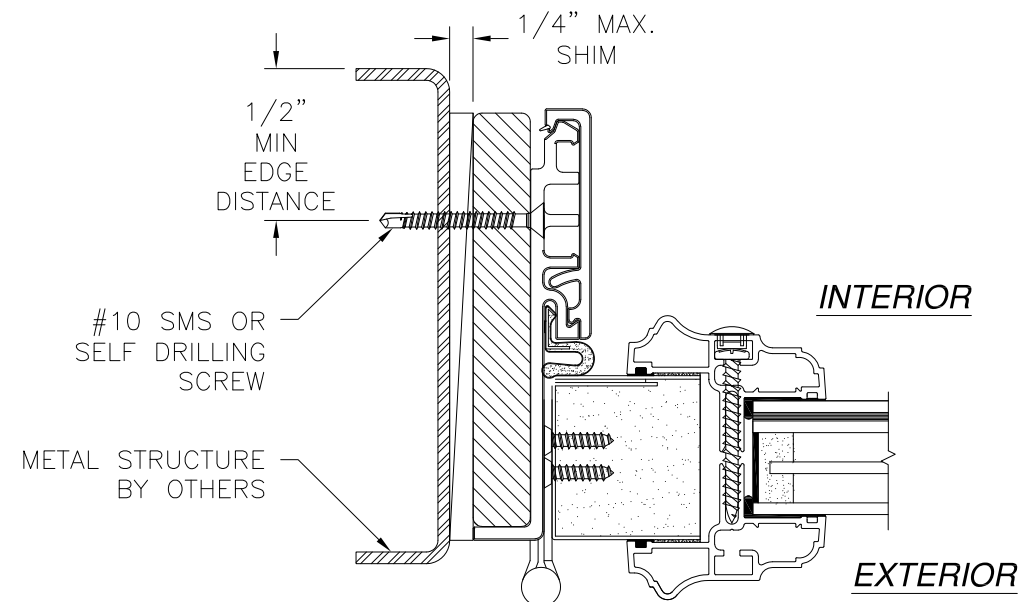
SIGNED: 09/07/2021

PROVIA, LLC. 2150 STATE ROUTE 39 WEST SUGARCREEK, OH 44681		
STEEL OUTSWING GLAZED SINGLE DOOR W/SIDELITES AND TRANSOM - IMPACT INSTALLATION DETAILS W/FUSION FRAME		
DRAWN: V.L.	DWG NO. 08-02021	REV H
SCALE NTS	DATE 04/22/13	SHEET 9 OF 15
L. ROBERTO LOMAS P.E. 1432 WOODFORD RD LEWISVILLE, NC 27023 434-688-0609 rllomas@lrlomaspe.com		

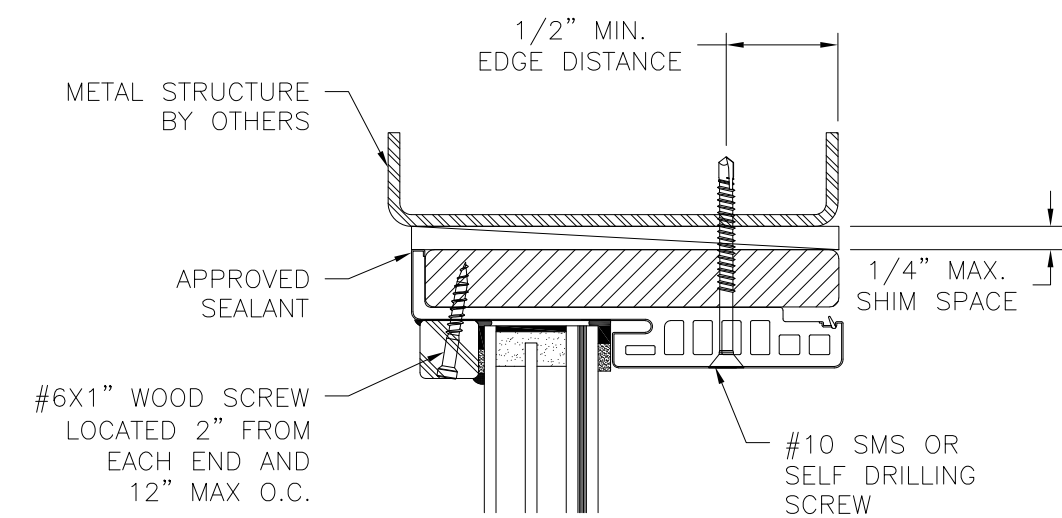


Luis R. Lomas P.E.
FL No.: 62514

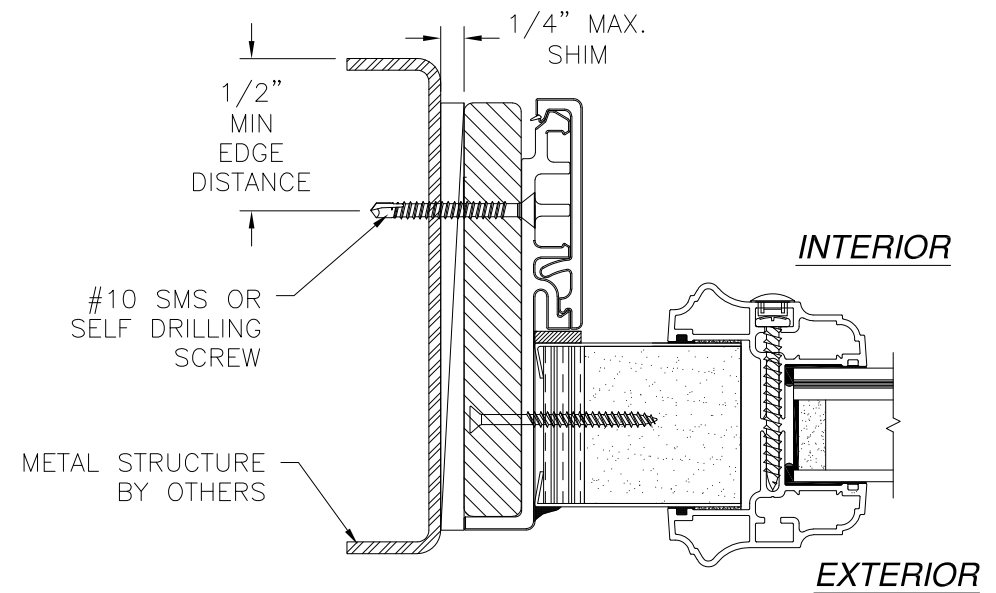
REVISIONS			
REV	DESCRIPTION	DATE	APPROVED
H	ADDED MULTILITE PANELS & TRIMS	08/12/2021	R.L.



JAMB INSTALLATION DETAIL
DOOR INSTALLATION - METAL STRUCTURE



VERTICAL CROSS SECTION
TRANSOM INSTALLATION - METAL STRUCTURE
TRANSOM HEAD SHOWN
TRANSOM JAMB SIMILAR



HORIZONTAL CROSS SECTION
SIDELITE INSTALLATION METAL STRUCTURE
STANDARD SIDELITE SHOWN
DIRECT SET SIDELITE SIMILAR

- NOTES:**
1. INTERIOR AND EXTERIOR FINISHES, BY OTHERS, NOT SHOWN FOR CLARITY.
 2. PERIMETER AND JOINT SEALANT BY OTHERS TO BE DESIGNED IN ACCORDANCE WITH ASTM E2112

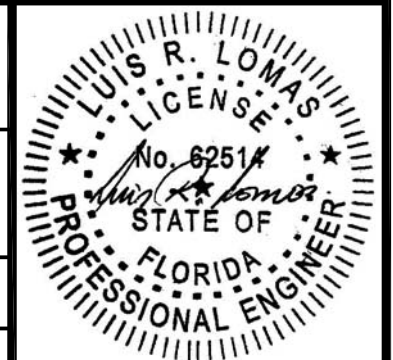
SIGNED: 09/07/2021

PROVIA, LLC.
2150 STATE ROUTE 39 WEST
SUGARCREEK, OH 44681

STEEL OUTSWING GLAZED SINGLE DOOR W/SIDELITES
AND TRANSOM – IMPACT
INSTALLATION DETAILS W/FUSION FRAME

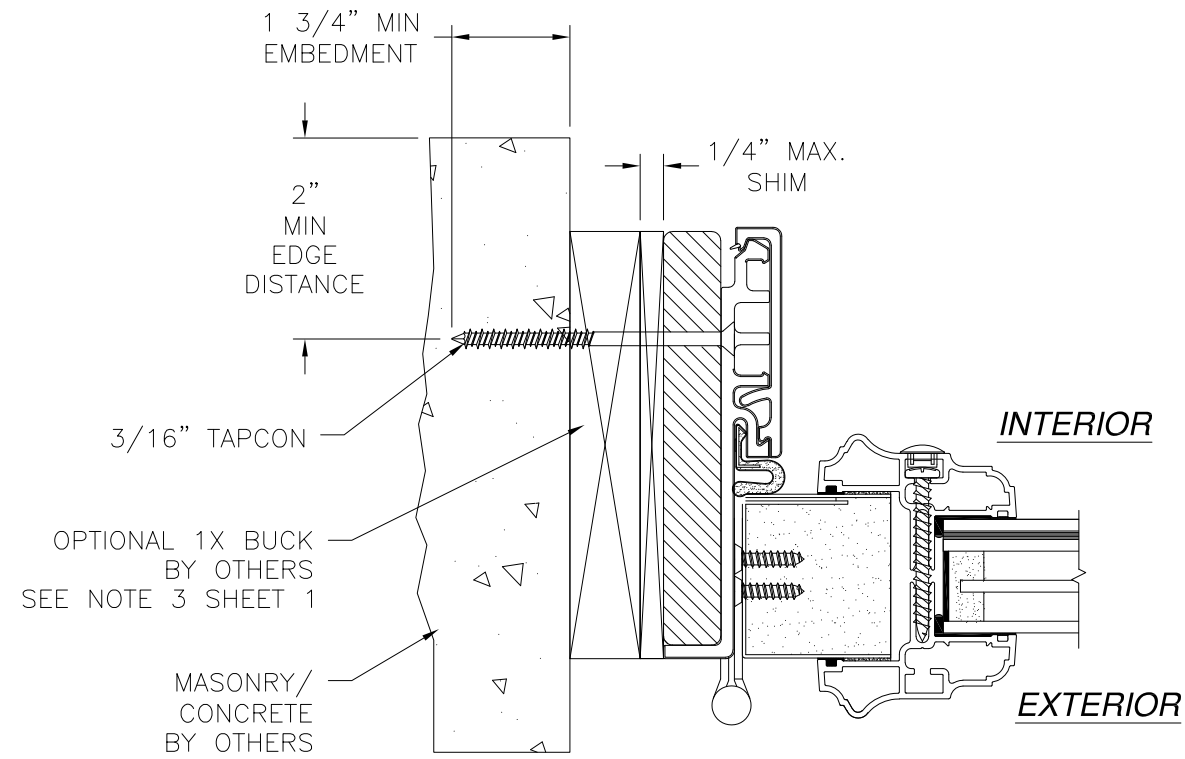
DRAWN: V.L.	DWG NO. 08-02021	REV H
SCALE NTS	DATE 04/22/13	SHEET 10 OF 15

L. ROBERTO LOMAS P.E.
1432 WOODFORD RD LEWISVILLE, NC 27023
434-688-0609 rllomas@lrlomaspe.com

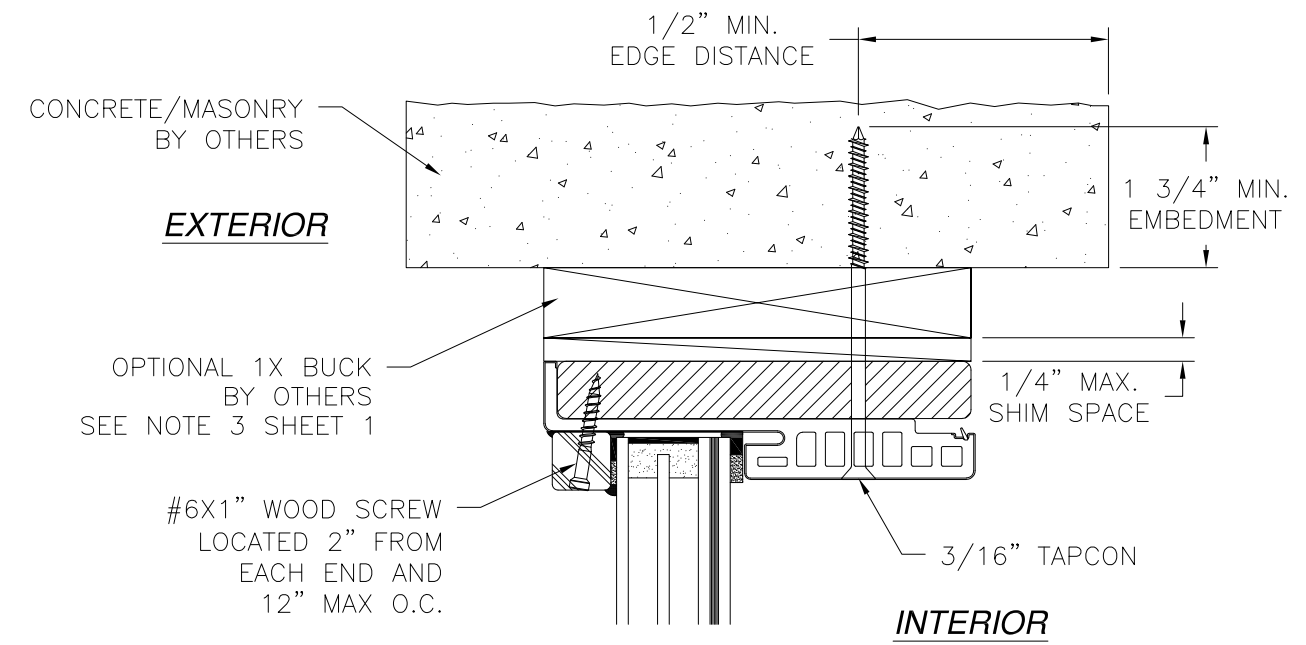


Luis R. Lomas P.E.
FL No.: 62514

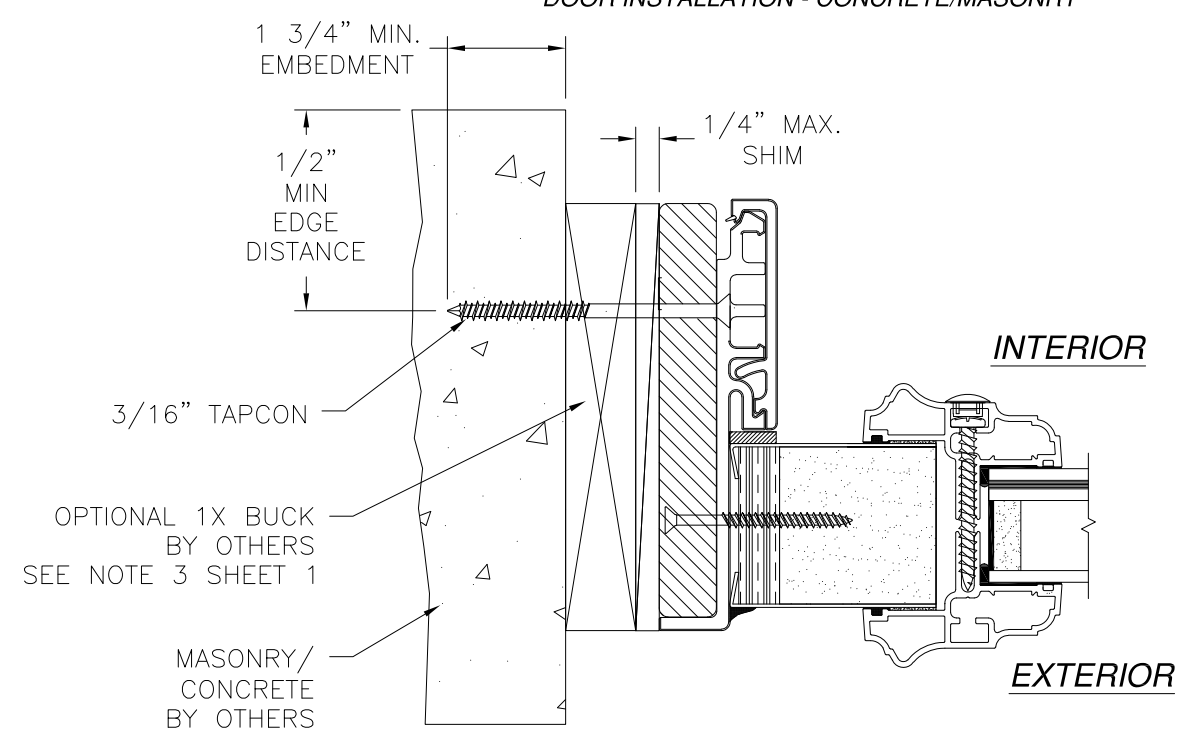
REVISIONS			
REV	DESCRIPTION	DATE	APPROVED
H	ADDED MULTILITE PANELS & TRIMS	08/12/2021	R.L.



JAMB INSTALLATION DETAIL
DOOR INSTALLATION - CONCRETE/MASONRY



VERTICAL CROSS SECTION
TRANSOM INSTALLATION - CONCRETE/MASONRY
TRANSOM HEAD SHOWN
TRANSOM JAMB SIMILAR

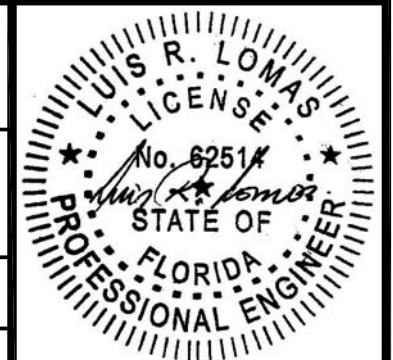


HORIZONTAL CROSS SECTION
SIDELITE INSTALLATION CONCRETE/MASONRY
STANDARD SIDELITE SHOWN
DIRECT SET SIDELITE SIMILAR

- NOTES:**
1. INTERIOR AND EXTERIOR FINISHES, BY OTHERS, NOT SHOWN FOR CLARITY.
 2. PERIMETER AND JOINT SEALANT BY OTHERS TO BE DESIGNED IN ACCORDANCE WITH ASTM E212

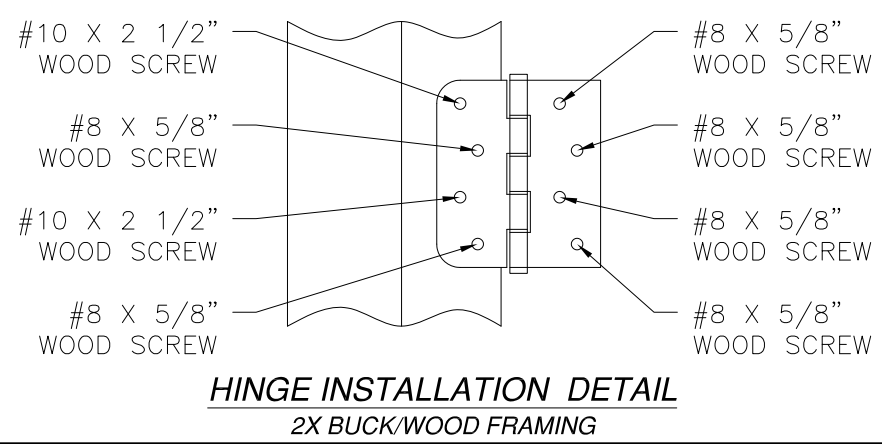
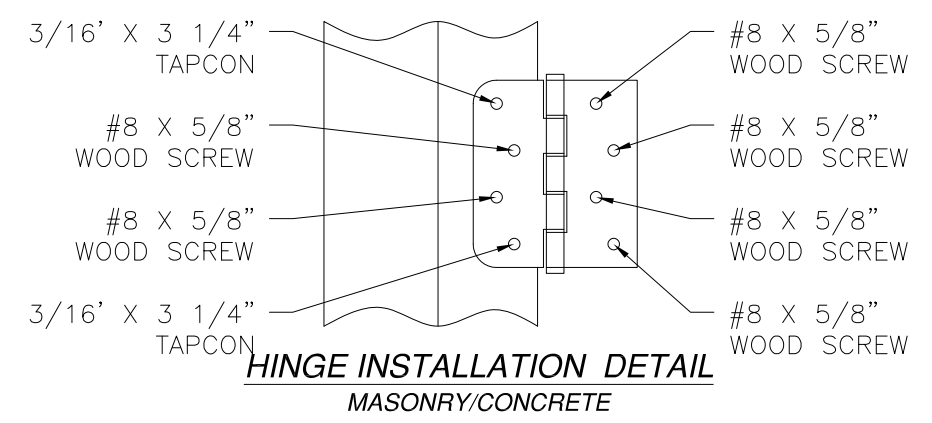
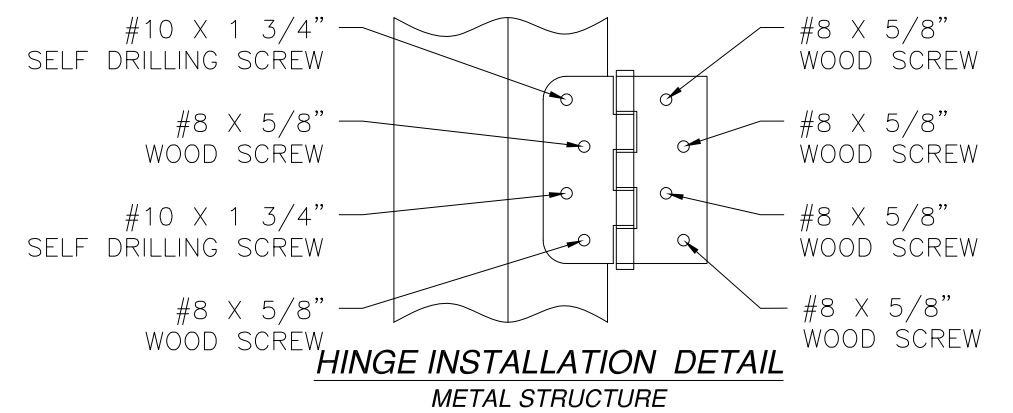
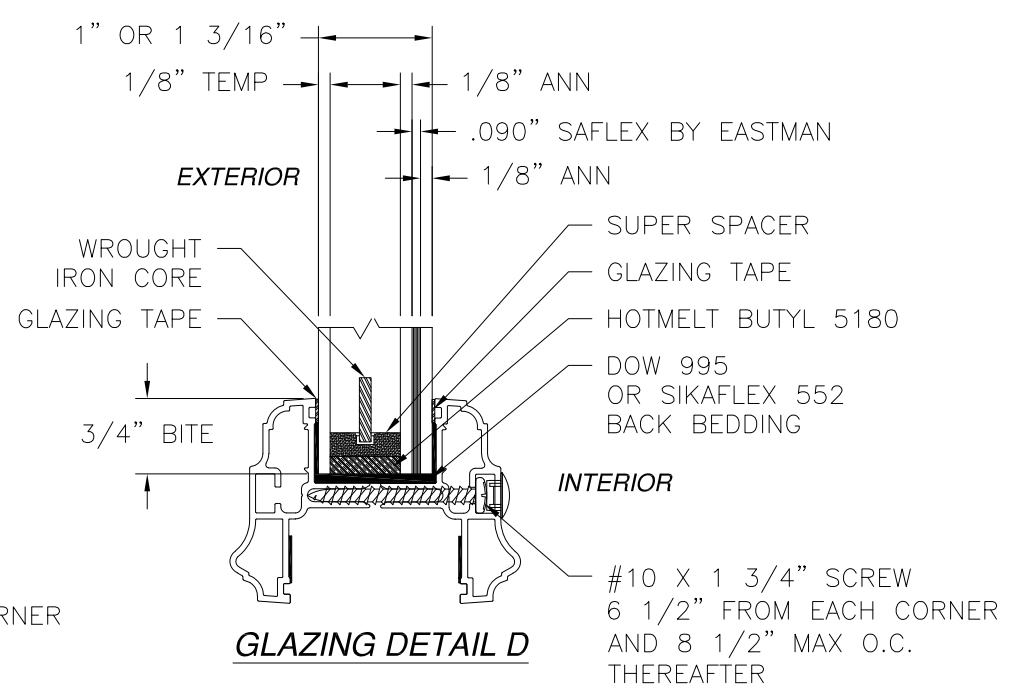
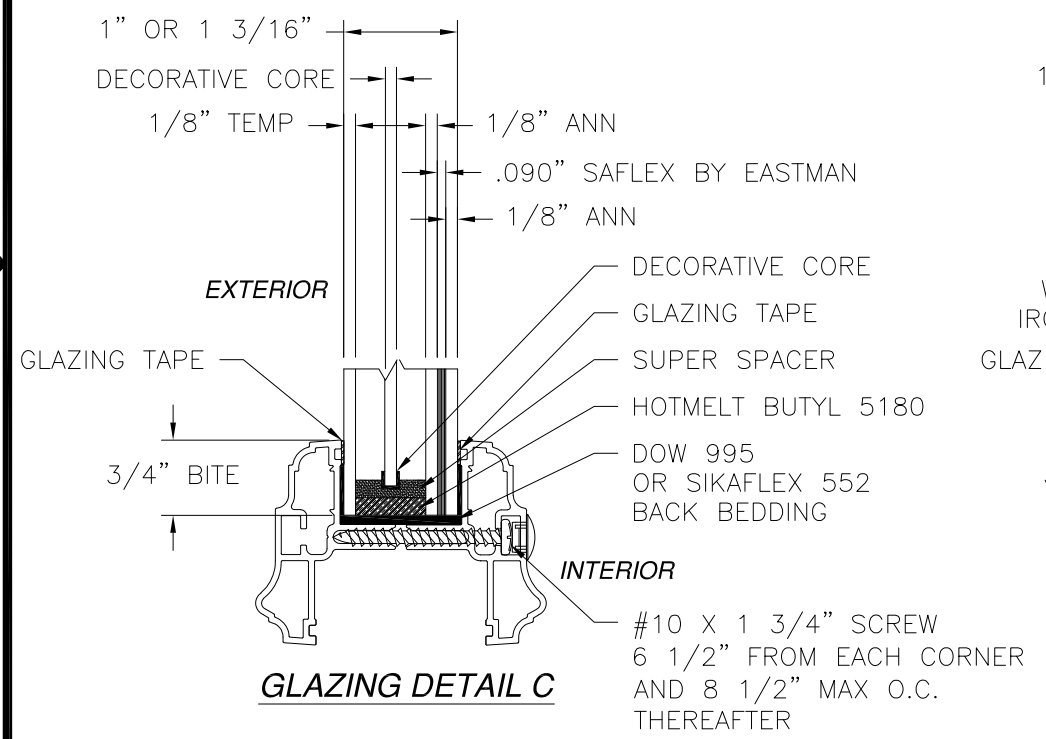
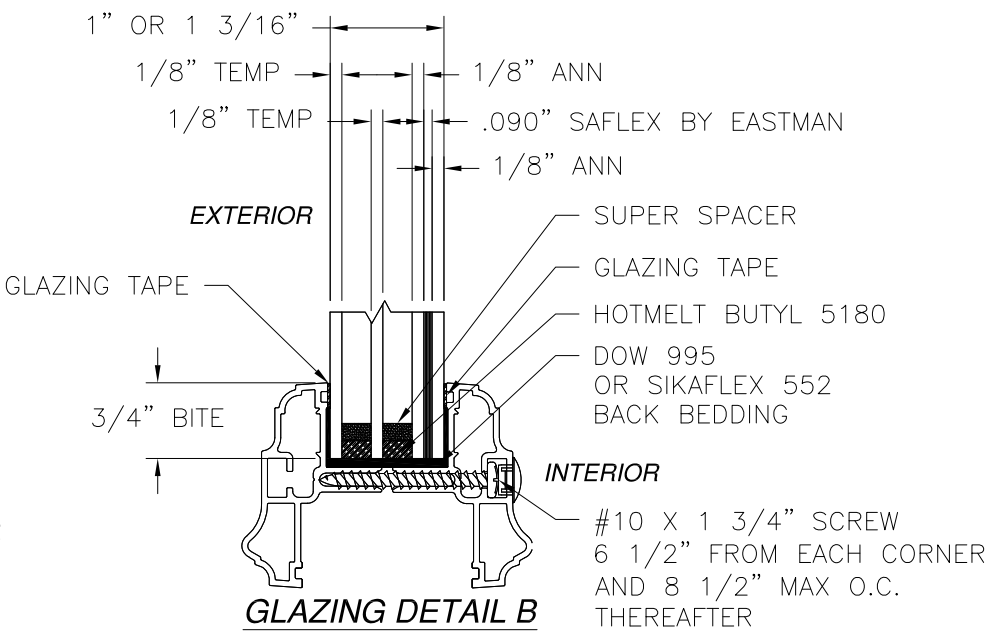
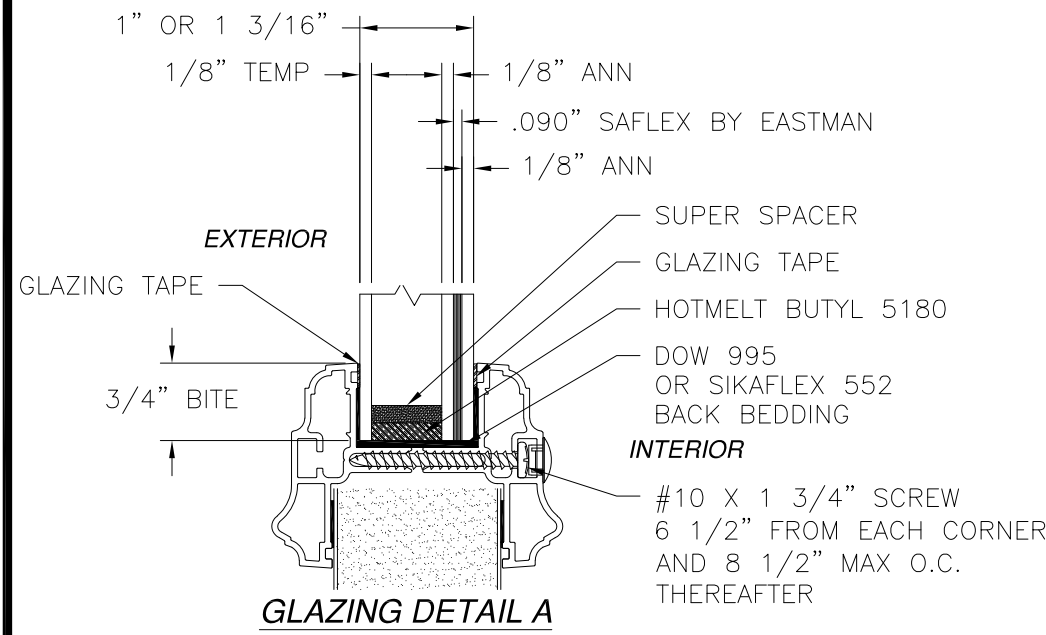
SIGNED: 09/07/2021

PROVIA, LLC. 2150 STATE ROUTE 39 WEST SUGARCREEK, OH 44681		
STEEL OUTSWING GLAZED SINGLE DOOR W/SIDELITES AND TRANSOM - IMPACT INSTALLATION DETAILS W/FUSION FRAME		
DRAWN: V.L.	DWG NO. 08-02021	REV H
SCALE NTS	DATE 04/22/13	SHEET 11 OF 15
L. ROBERTO LOMAS P.E. 1432 WOODFORD RD LEWISVILLE, NC 27023 434-688-0609 rllomas@rlomaspe.com		



Luis R. Lomas P.E.
FL No.: 62514

REVISIONS			
REV	DESCRIPTION	DATE	APPROVED
H	ADDED MULTILITE PANELS & TRIMS	08/12/2021	R.L.



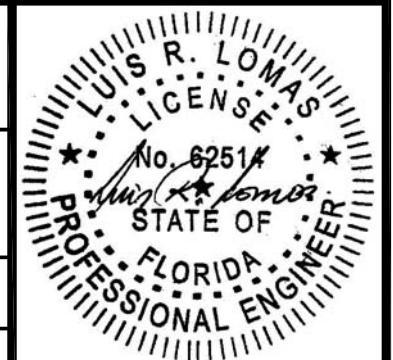
PROVIA, LLC.
2150 STATE ROUTE 39 WEST
SUGARCREEK, OH 44681

**STEEL OUTSWING GLAZED SINGLE DOOR W/SIDELITES
AND TRANSOM - IMPACT
GLAZING AND HINGES DETAILS**

DRAWN: V.L.	DWG NO. 08-02021	REV H
SCALE NTS	DATE 04/22/13	SHEET 12 OF 15

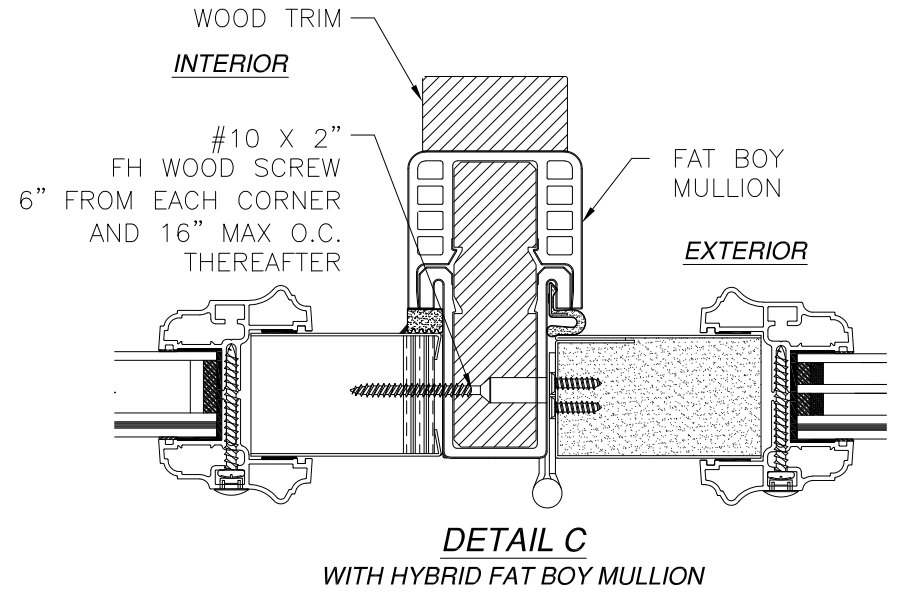
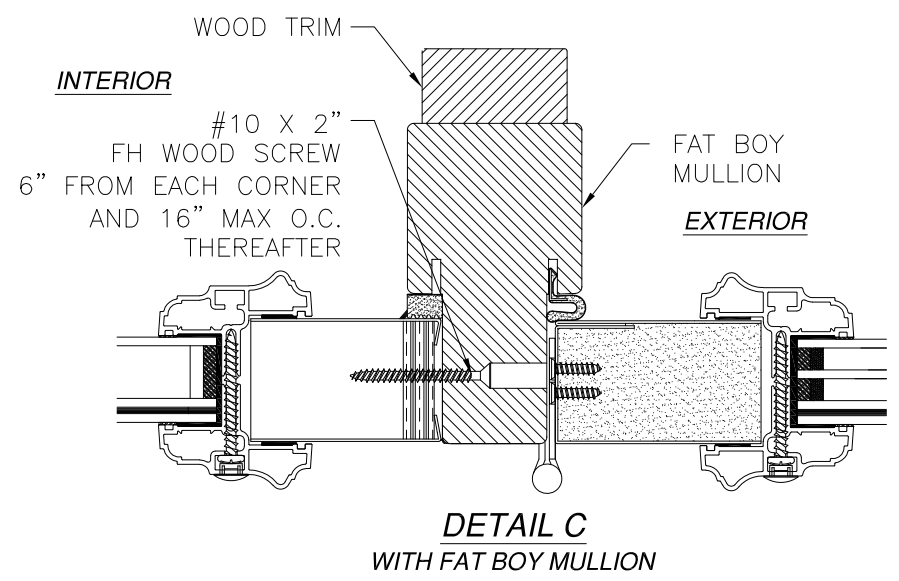
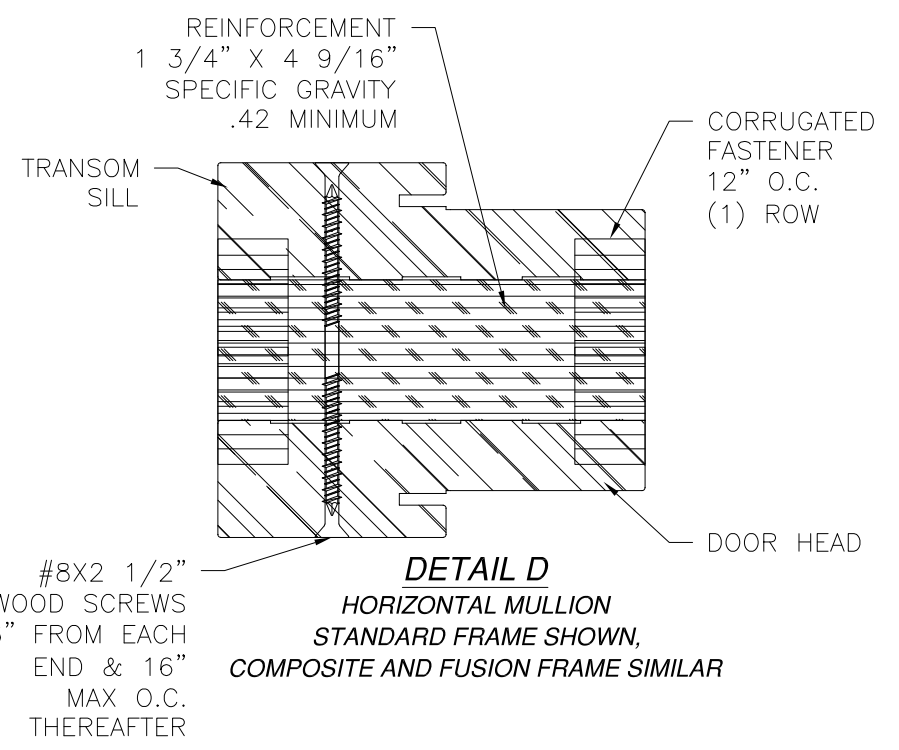
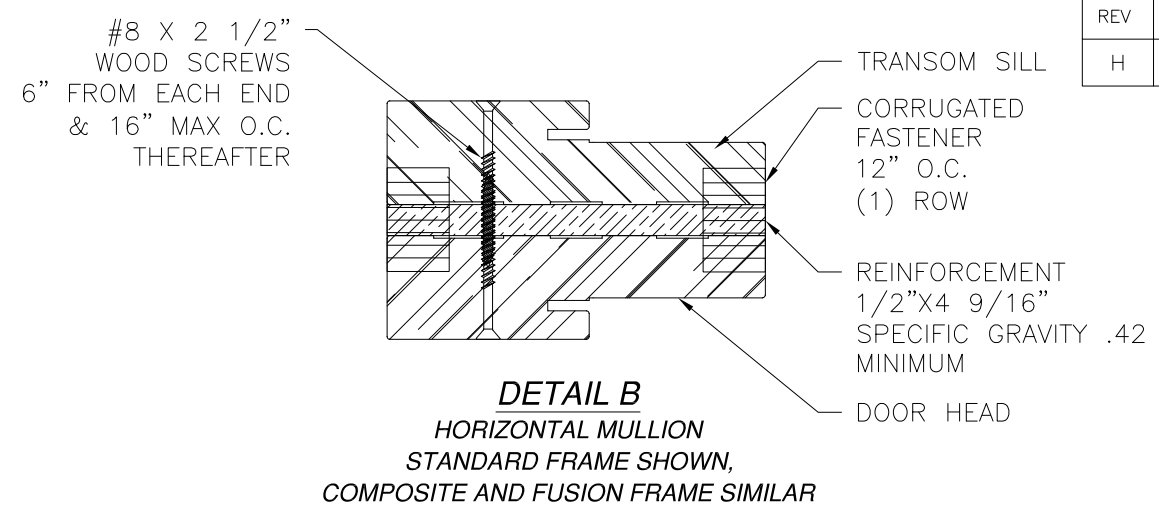
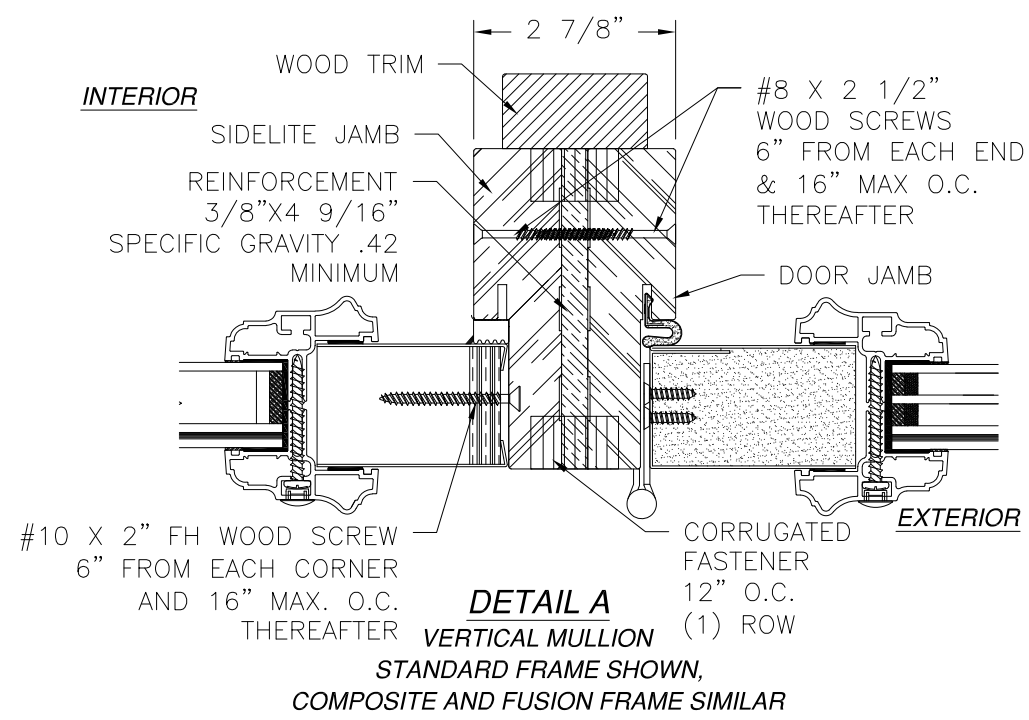
L. ROBERTO LOMAS P.E.
1432 WOODFORD RD LEWISVILLE, NC 27023
434-688-0609 rllomas@rlomaspe.com

SIGNED: 09/07/2021



Luis R. Lomas P.E.
FL No.: 62514

REVISIONS			
REV	DESCRIPTION	DATE	APPROVED
H	ADDED MULTILITE PANELS & TRIMS	08/12/2021	R.L.



SIGNED: 09/07/2021

PROVIA, LLC.
2150 STATE ROUTE 39 WEST
SUGARCREEK, OH 44681

STEEL OUTSWING GLAZED SINGLE DOOR W/SIDELITES
AND TRANSOM - IMPACT
MULLION DETAILS

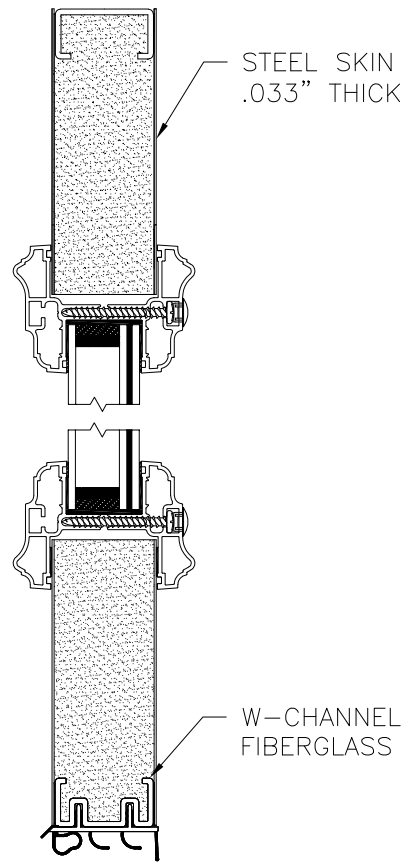
DRAWN: V.L.	DWG NO. 08-02021	REV H
SCALE NTS	DATE 04/22/13	SHEET 13 OF 15

L. ROBERTO LOMAS P.E.
1432 WOODFORD RD LEWISVILLE, NC 27023
434-688-0609 rllomas@lrlomaspe.com

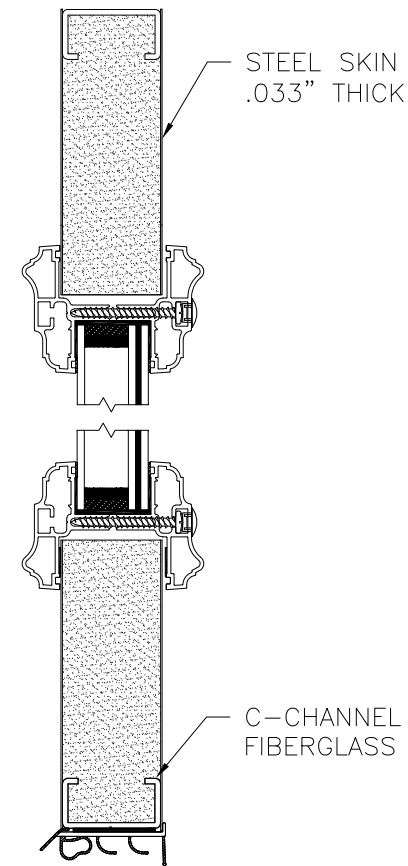
Luis R. Lomas P.E.
FL No.: 62514

APPROVED SLABS AND TRIMS

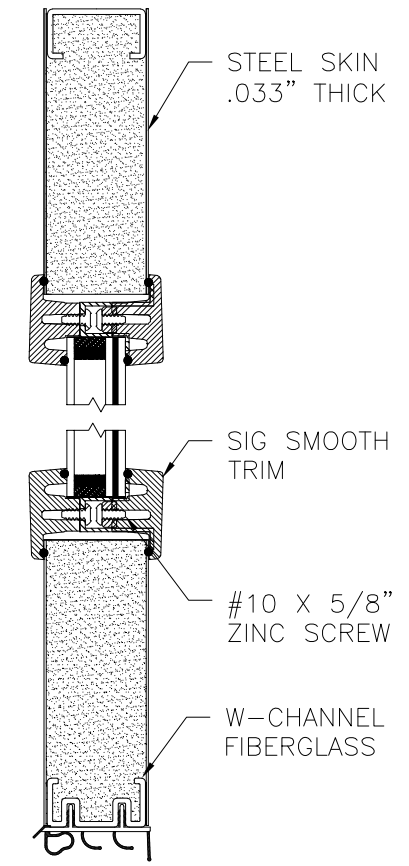
REVISIONS			
REV	DESCRIPTION	DATE	APPROVED
H	ADDED MULTILITE PANELS & TRIMS	08/12/2021	R.L.



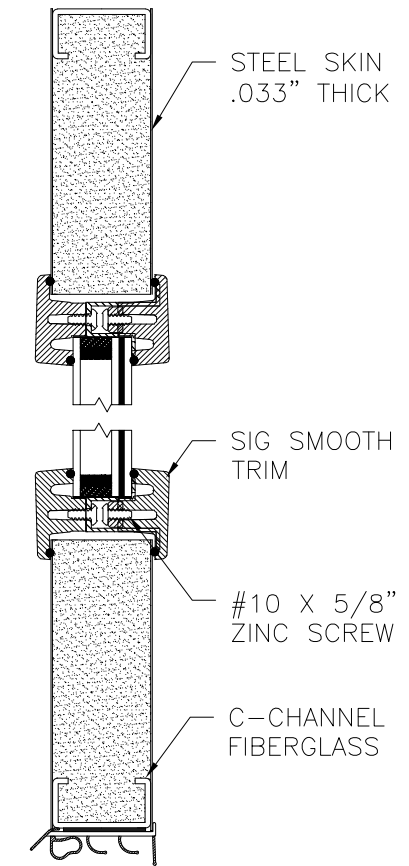
PANEL OPTION 1



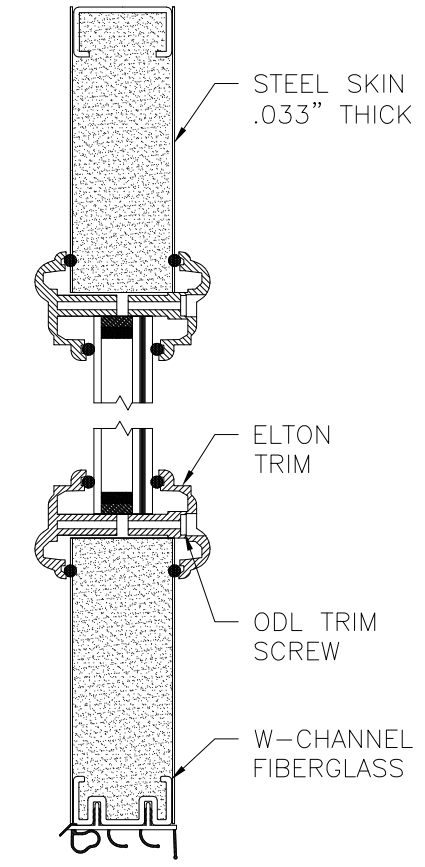
PANEL OPTION 2



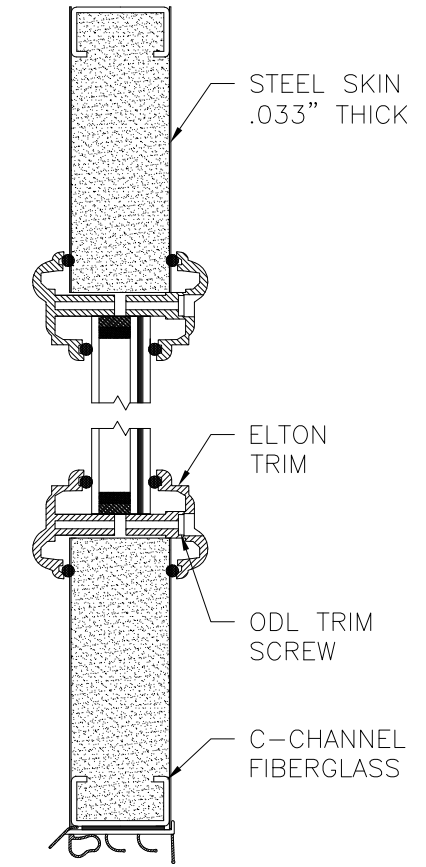
PANEL OPTION 3



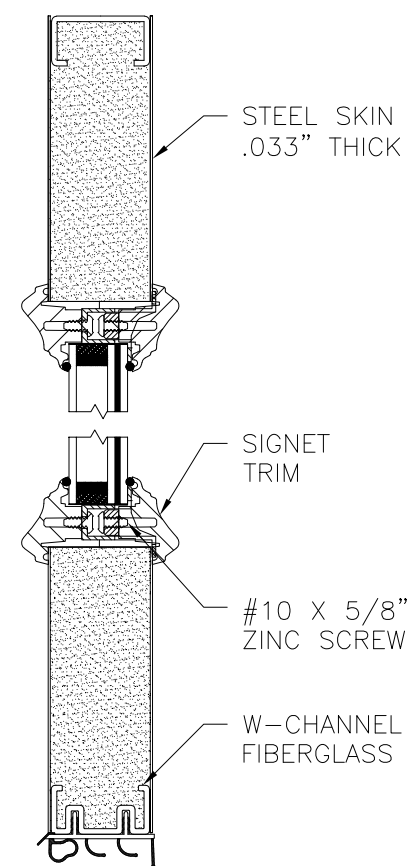
PANEL OPTION 4



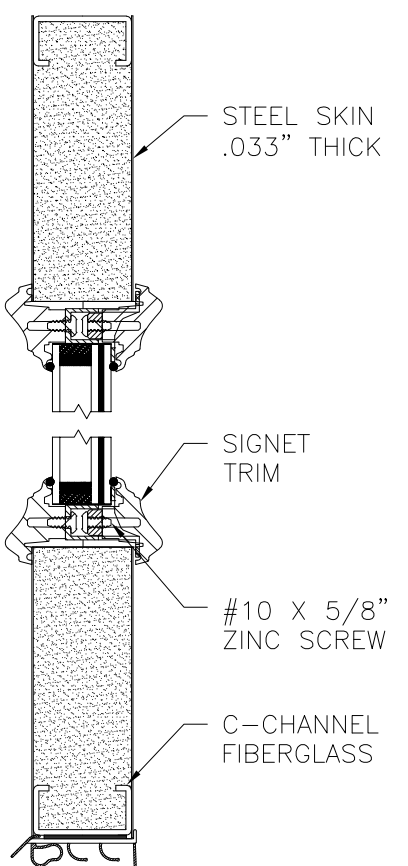
PANEL OPTION 9



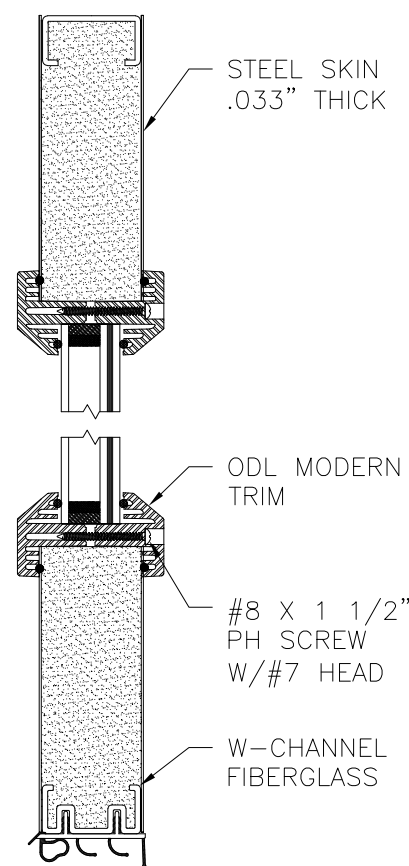
PANEL OPTION 10



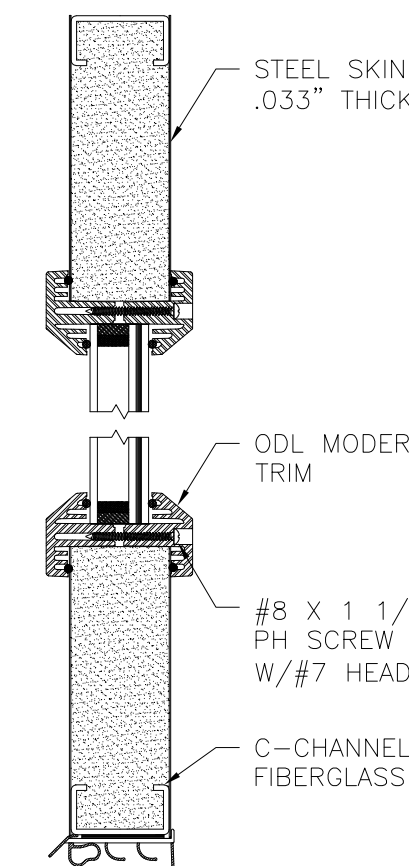
PANEL OPTION 5



PANEL OPTION 6



PANEL OPTION 7



PANEL OPTION 8

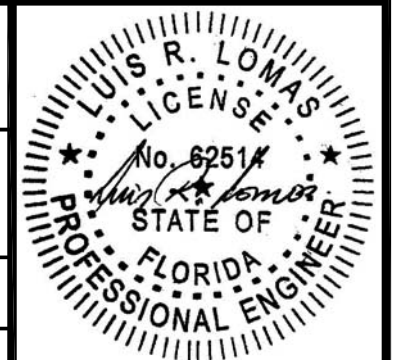
PROVIA, LLC.
2150 STATE ROUTE 39 WEST
SUGARCREEK, OH 44681

STEEL OUTSWING GLAZED SINGLE DOOR W/SIDELITES
AND TRANSOM - IMPACT
APPROVED SLABS

DRAWN: V.L.	DWG NO. 08-02021	REV H
SCALE NTS	DATE 04/22/13	SHEET 14 OF 15

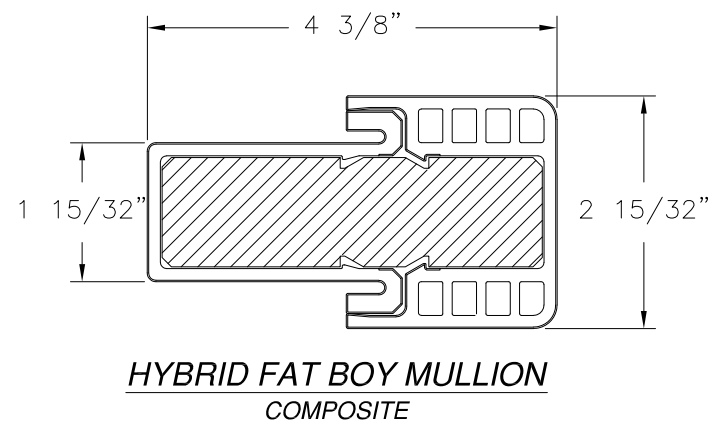
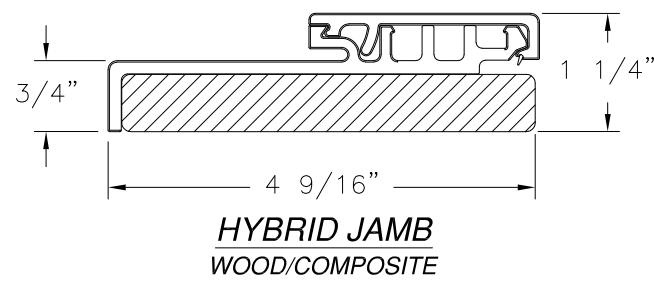
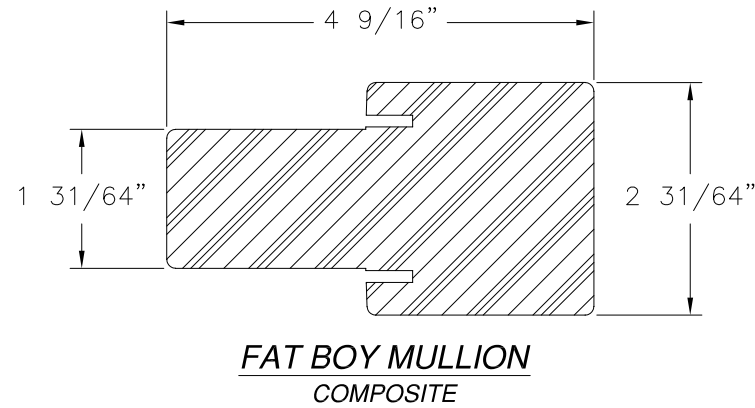
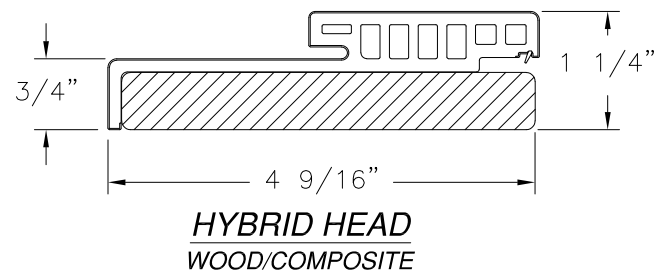
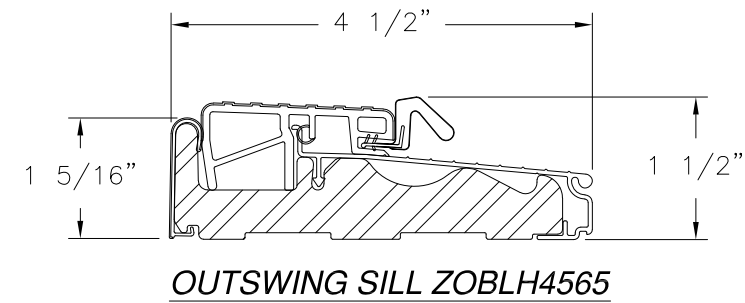
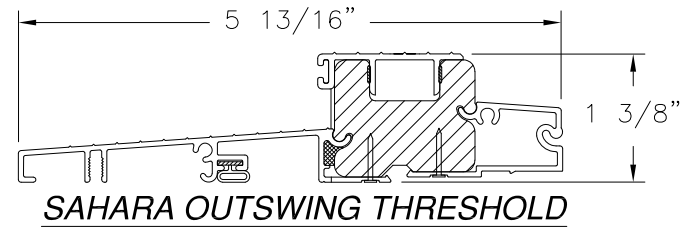
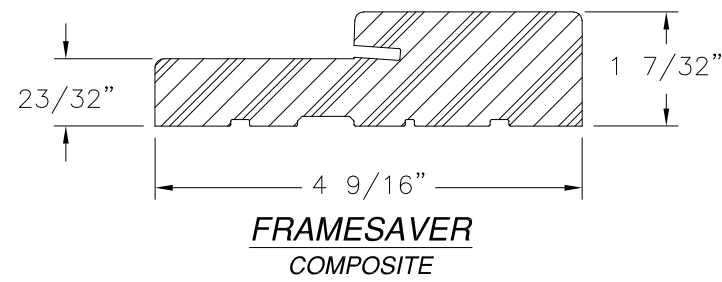
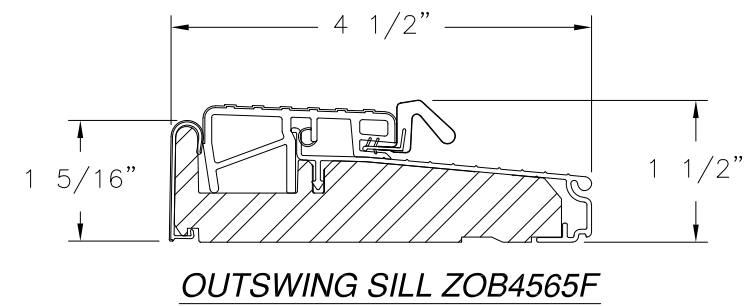
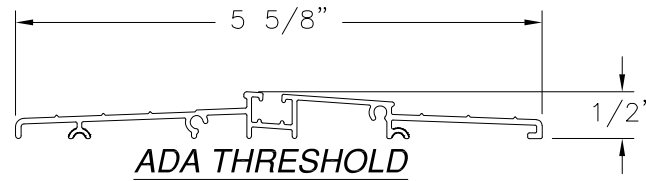
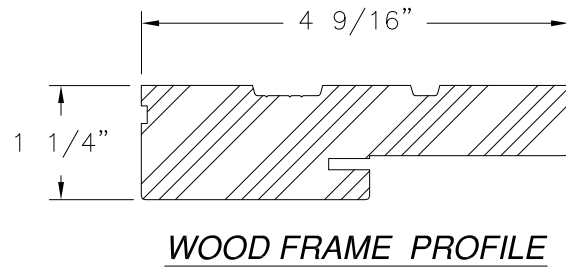
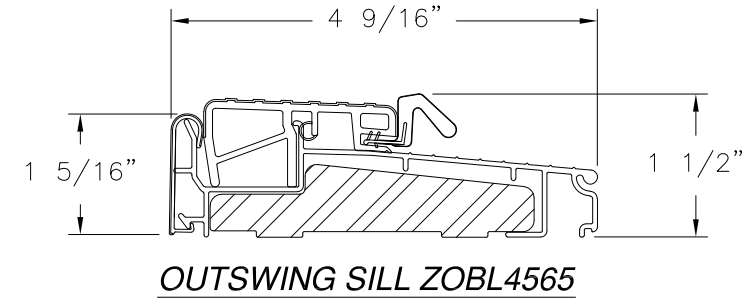
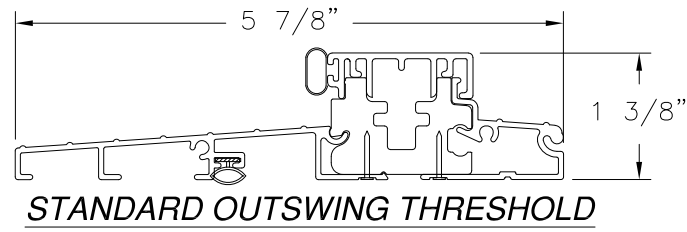
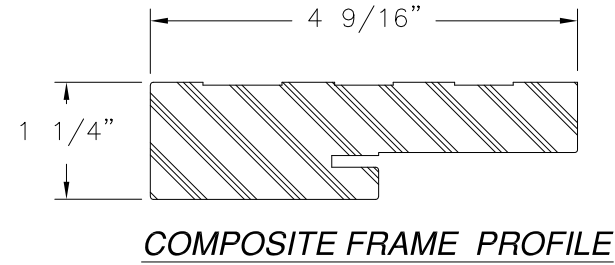
L. ROBERTO LOMAS P.E.
1432 WOODFORD RD LEWISVILLE, NC 27023
434-688-0609 rllomas@rlomaspe.com

SIGNED: 09/07/2021



Luis R. Lomas P.E.
FL No.: 62514

REVISIONS			
REV	DESCRIPTION	DATE	APPROVED
H	ADDED MULTILITE PANELS & TRIMS	08/12/2021	R.L.



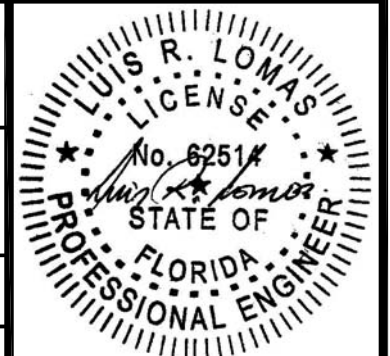
SIGNED: 09/07/2021

PROVIA, LLC.
2150 STATE ROUTE 39 WEST
SUGARCREEK, OH 44681

STEEL OUTSWING GLAZED SINGLE DOOR W/SIDELITES
AND TRANSOM – IMPACT
COMPONENTS

DRAWN: V.L.	DWG NO. 08-02021	REV H
SCALE NTS	DATE 04/22/13	SHEET 15 OF 15

L. ROBERTO LOMAS P.E.
1432 WOODFORD RD LEWISVILLE, NC 27023
434-688-0609 rllomas@rlomaspe.com



Luis R. Lomas P.E.
FL No.: 62514