

REVISIONS			
REV	DESCRIPTION	DATE	APPROVED
H	ADDED MULTILITE PANELS & TRIMS	08/12/2021	R.L.

NOTES:

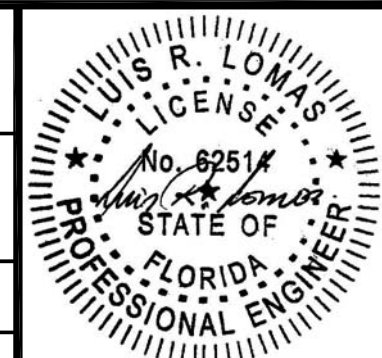
1. THE PRODUCT SHOWN HEREIN IS DESIGNED AND MANUFACTURED TO COMPLY WITH REQUIREMENTS OF THE FLORIDA BUILDING CODE.
2. WOOD FRAMING, METAL STRUCTURE AND MASONRY OPENING TO BE DESIGNED AND ANCHORED TO PROPERLY TRANSFER ALL LOADS TO STRUCTURE. FRAMING AND MASONRY OPENING IS THE RESPONSIBILITY OF THE ARCHITECT OR ENGINEER OF RECORD.
3. 1X BUCK OVER MASONRY/CONCRETE IS OPTIONAL. WHERE 1X BUCK IS NOT USED DISSIMILAR MATERIALS MUST BE SEPARATED WITH APPROVED COATING OR MEMBRANE. SELECTION OF COATING OR MEMBRANE IS THE RESPONSIBILITY OF THE ARCHITECT OR ENGINEER OF RECORD.
4. ALLOWABLE STRESS INCREASE OF 1/3 WAS NOT USED IN THE DESIGN OF THE PRODUCT SHOWN HEREIN. WIND LOAD DURATION FACTOR Cd=1.6 WAS USED FOR WOOD ANCHOR CALCULATIONS.
5. FRAME MATERIAL: WOOD WITH G=.46 MINIMUM SPECIFIC GRAVITY, OR COMPOSITE, OR FRAMESAVER, OR FUSION FRAME.  
DOOR SKIN MATERIAL: STEEL .033" THICK (MINIMUM)  
SIDELITE SKIN MATERIAL: STEEL .022" THICK (MINIMUM)
6. SIDELITES UNITS MUST BE GLAZED PER ASTM E1300, SEE SHEET 11 FOR GLASS DETAILS.
7. APPROVED IMPACT PROTECTIVE SYSTEM IS NOT REQUIRED FOR THIS PRODUCT IN WIND BORNE DEBRIS REGIONS UP TO WIND ZONE 3.
8. SHIM AS REQUIRED AT EACH INSTALLATION ANCHOR WITH LOAD BEARING SHIM. SHIM WHERE SPACE OF 1/16" OR GREATER OCCURS. MAXIMUM ALLOWABLE SHIM STACK TO BE 1/4".
9. FOR ANCHORING INTO WOOD FRAMING OR 2X BUCK USE #10 WOOD SCREWS WITH SUFFICIENT LENGTH TO ACHIEVE A 1 3/8" MINIMUM EMBEDMENT INTO SUBSTRATE. LOCATE ANCHORS AS SHOWN IN ELEVATIONS AND INSTALLATION DETAILS.
10. FOR ANCHORING INTO MASONRY/CONCRETE USE 3/16" TAPCONS WITH SUFFICIENT LENGTH TO ACHIEVE A 1 3/4" MINIMUM EMBEDMENT INTO SUBSTRATE WITH 2" MINIMUM EDGE DISTANCE. LOCATE ANCHORS AS SHOWN IN ELEVATIONS AND INSTALLATION DETAILS.
11. FOR ANCHORING INTO METAL STRUCTURE USE #10 SMS OR SELF DRILLING SCREWS WITH SUFFICIENT LENGTH TO ACHIEVE 3 THREADS MINIMUM BEYOND STRUCTURE INTERIOR WALL. LOCATE ANCHORS AS SHOWN IN ELEVATIONS AND INSTALLATION DETAILS.

12. ALL FASTENERS TO BE CORROSION RESISTANT.
13. INSTALLATION ANCHORS SHALL BE INSTALLED IN ACCORDANCE WITH ANCHOR MANUFACTURER'S INSTALLATION INSTRUCTIONS AND ANCHORS SHALL NOT BE USED IN SUBSTRATES WITH STRENGTHS LESS THAN THE MINIMUM STRENGTH SPECIFIED BELOW:
  - A. WOOD – MINIMUM SPECIFIC GRAVITY OF G=0.42
  - B. CONCRETE – MINIMUM COMPRESSIVE STRENGTH OF 3,192 PSI.
  - C. MASONRY – GROUT FILLED STRENGTH CONFORMANCE TO ASTM C-90, GRADE N, TYPE 1 (OR GREATER).
  - D. METAL STRUCTURE: STEEL 18GA, 33KSI OR ALUMINUM 6063-T5 .048" THICK MINIMUM
14. DOOR CONSTRUCTION MAYBE CONTINUOUS HEAD FRAME AND CONTINUOUS THRESHOLD OR BOX CONSTRUCTION.

SIGNED: 09/07/2021

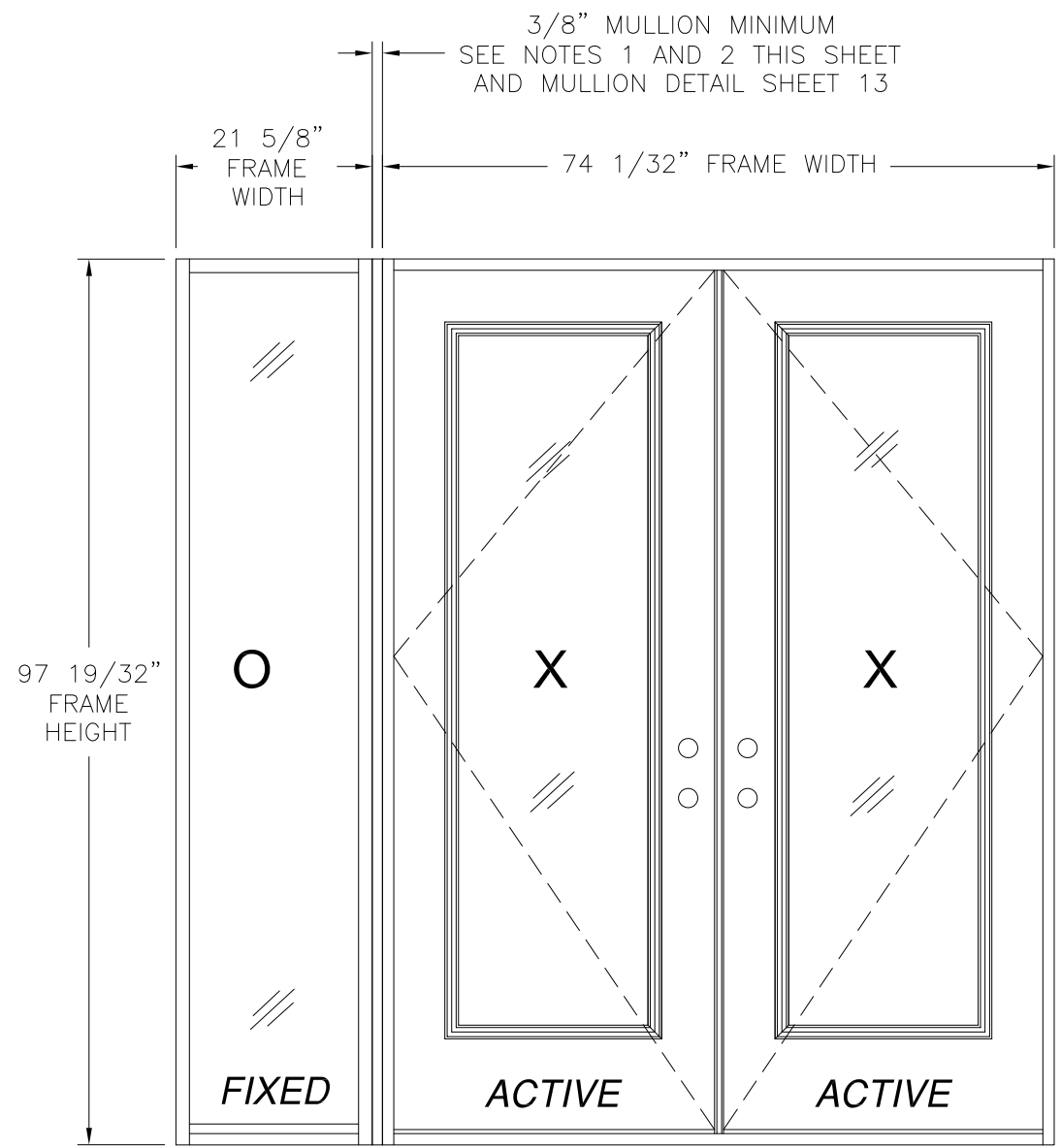
TABLE OF CONTENTS	
SHEET NO.	DESCRIPTION
1	NOTES
2 – 3	ELEVATIONS
4	ANCHORING LAYOUTS
5 – 10	INSTALLATION DETAILS
11	GLAZING DETAILS
12 – 15	MULLION DETAILS, APPROVED SLABS AND COMPONENTS

<b>PROVIA, LLC.</b> 2150 STATE ROUTE 39 WEST SUGARCREEK, OH 44681		
<b>STEEL OUTSWING GLAZED DOUBLE DOOR          WITH SIDELITES – IMPACT          NOTES</b>		
DRAWN: J.L.	DWG NO. 08-02022	REV H
SCALE NTS	DATE 05/10/13	SHEET 1 OF 15
L. ROBERTO LOMAS P.E. 1432 WOODFORD RD LEWISVILLE, NC 27023 434-688-0609 rllomas@rlomaspe.com		

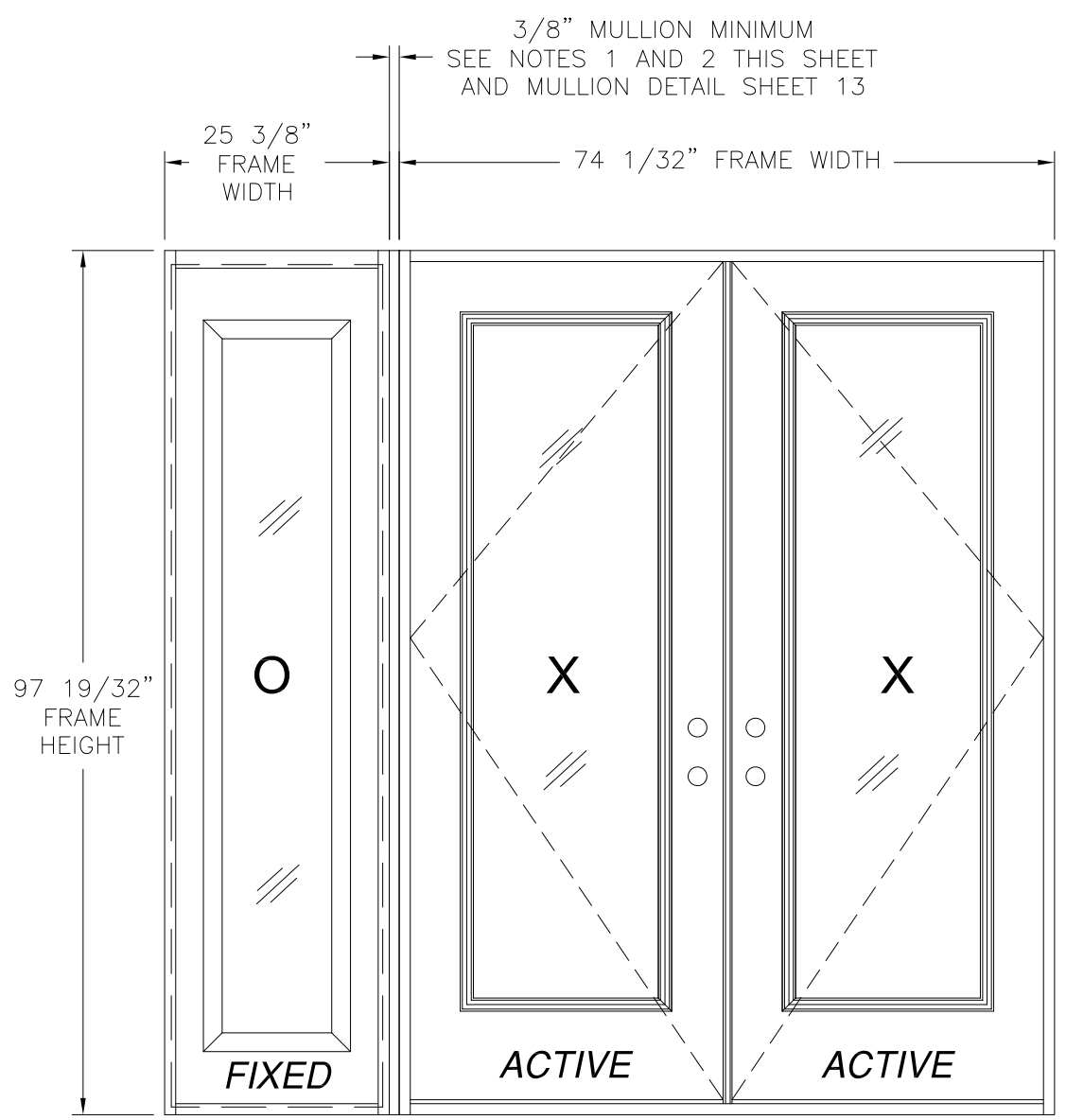


Luis R. Lomas P.E.  
FL No.: 62514

REVISIONS			
REV	DESCRIPTION	DATE	APPROVED
H	ADDED MULTILITE PANELS & TRIMS	08/12/2021	R.L.



**DOUBLE DOOR W/ DIRECT SET SIDELITE**  
EXTERIOR VIEW  
OXX SHOWN XXO ALSO APPROVED



**DOUBLE DOOR WITH STANDARD SIDELITE**  
EXTERIOR VIEW  
OXX SHOWN XXO ALSO APPROVED

DESIGN PRESSURE RATING	IMPACT RATING
±55.0PSF	LARGE MISSILE IMPACT

MISSILE LEVEL D, WIND ZONE 3

35 3/4" x 94 15/16" PANEL SIZE SHOWN. OTHER SIZES ARE APPROVED AS LONG AS INDIVIDUAL PANEL AREA DOES NOT EXCEED 23.56 FT²

- NOTES:
1. MAXIMUM ALLOWED BUILD UP TO BE 7" AT EACH VERTICAL MULLION.
  2. IF SIDELITE WIDTH IS 16" OR LESS NO VERTICAL MULLION IS REQUIRED.

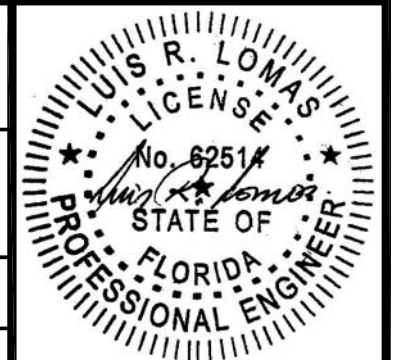
SIGNED: 09/07/2021

PROVIA, LLC.  
2150 STATE ROUTE 39 WEST  
SUGARCREEK, OH 44681

STEEL OUTSWING GLAZED DOUBLE DOOR WITH SIDELITES – IMPACT ELEVATIONS

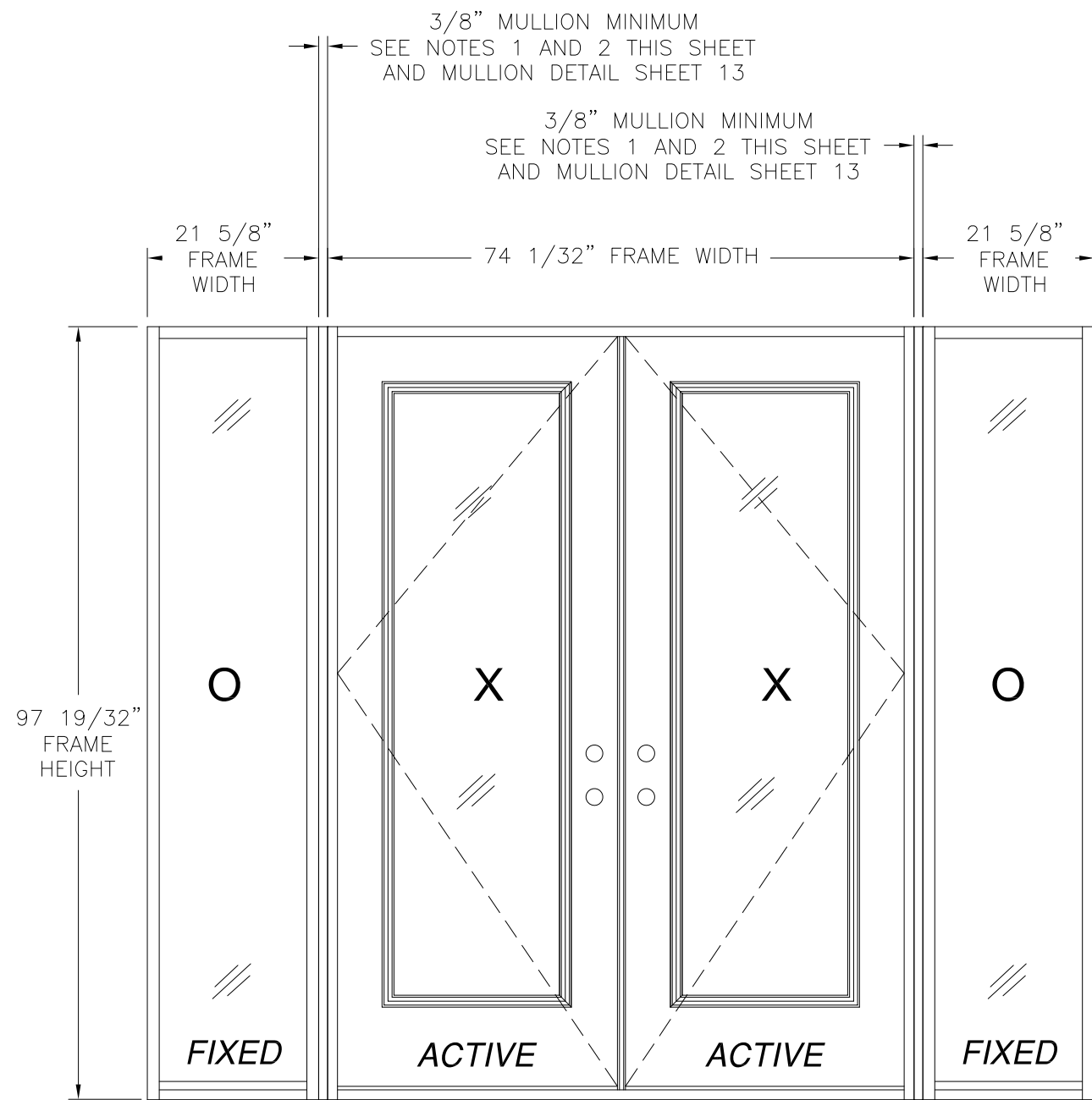
DRAWN: J.L.	DWG NO. 08-02022	REV H
SCALE NTS	DATE 05/10/13	SHEET 2 OF 15

L. ROBERTO LOMAS P.E.  
1432 WOODFORD RD LEWISVILLE, NC 27023  
434-688-0609 rllomas@rlomaspe.com

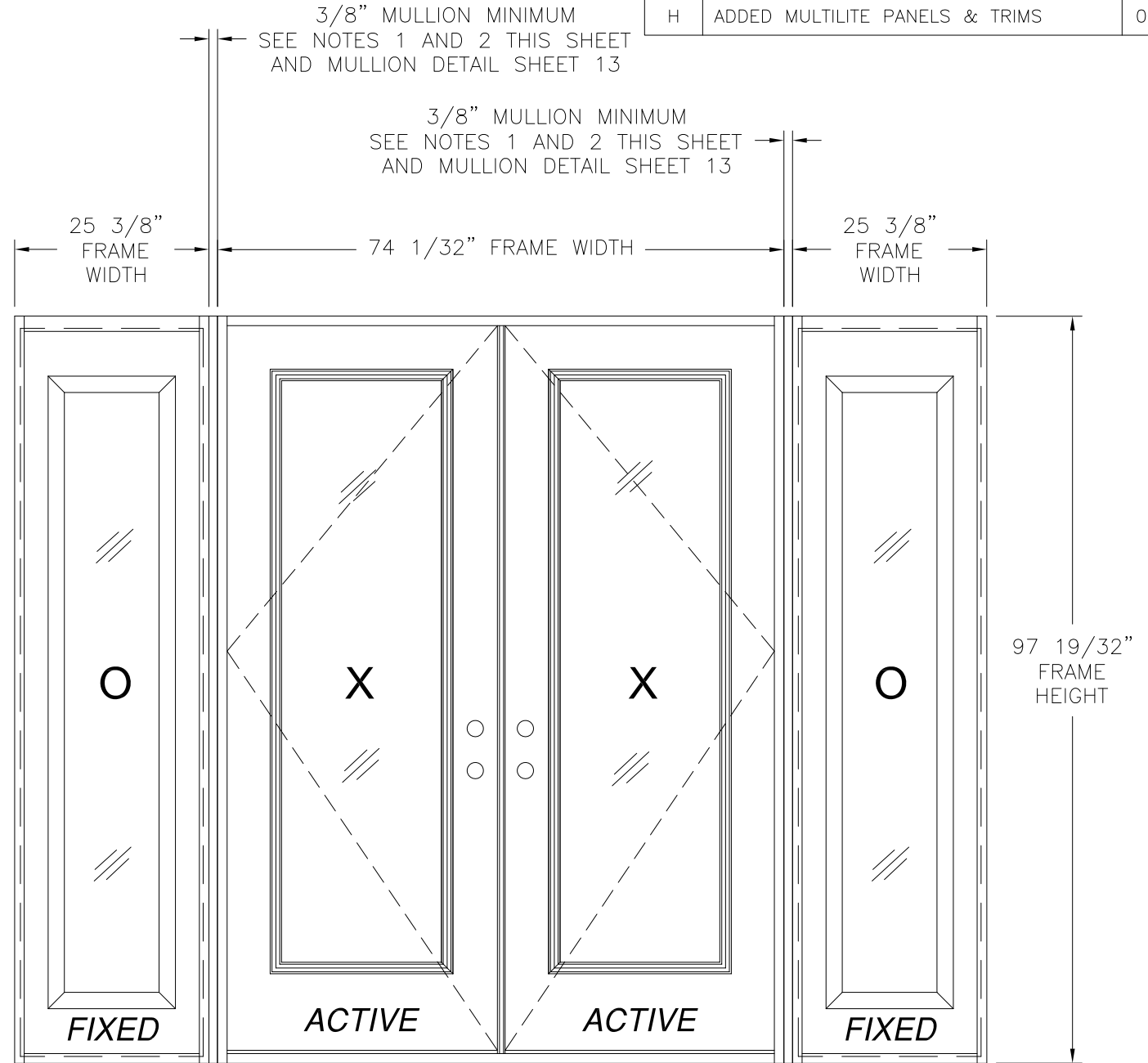


Luis R. Lomas P.E.  
FL No.: 62514

REVISIONS			
REV	DESCRIPTION	DATE	APPROVED
H	ADDED MULTILITE PANELS & TRIMS	08/12/2021	R.L.



**DOUBLE DOOR WITH DIRECT SET SIDELITES**  
EXTERIOR VIEW



**DOUBLE DOOR WITH STANDARD SIDELITES**  
EXTERIOR VIEW

DESIGN PRESSURE RATING	IMPACT RATING
±55.0PSF	LARGE MISSILE IMPACT

MISSILE LEVEL D, WIND ZONE 3

35 3/4" x 94 15/16" PANEL SIZE SHOWN. OTHER SIZES ARE APPROVED AS LONG AS INDIVIDUAL PANEL AREA DOES NOT EXCEED 23.56 FT<sup>2</sup>

- NOTES:
1. MAXIMUM ALLOWED BUILD UP TO BE 7" AT EACH VERTICAL MULLION.
  2. IF SIDELITE WIDTH IS 16" OR LESS NO VERTICAL MULLION IS REQUIRED.

SIGNED: 09/07/2021

PROVIA, LLC.  
2150 STATE ROUTE 39 WEST  
SUGARCREEK, OH 44681

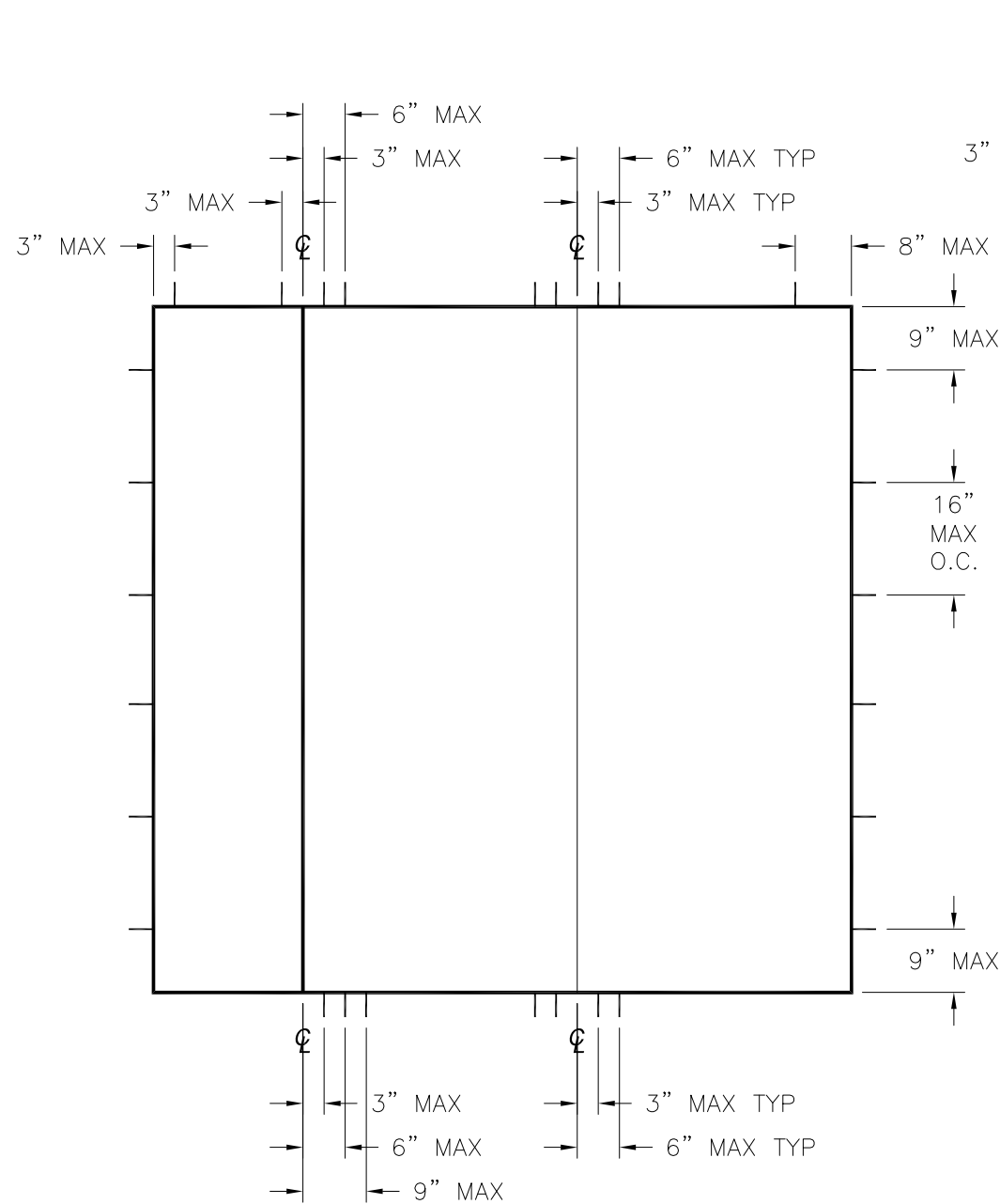
STEEL OUTSWING GLAZED DOUBLE DOOR  
WITH SIDELITES – IMPACT  
ELEVATIONS

DRAWN: J.L.	DWG NO. 08-02022	REV H
SCALE NTS	DATE 05/10/13	SHEET 3 OF 15

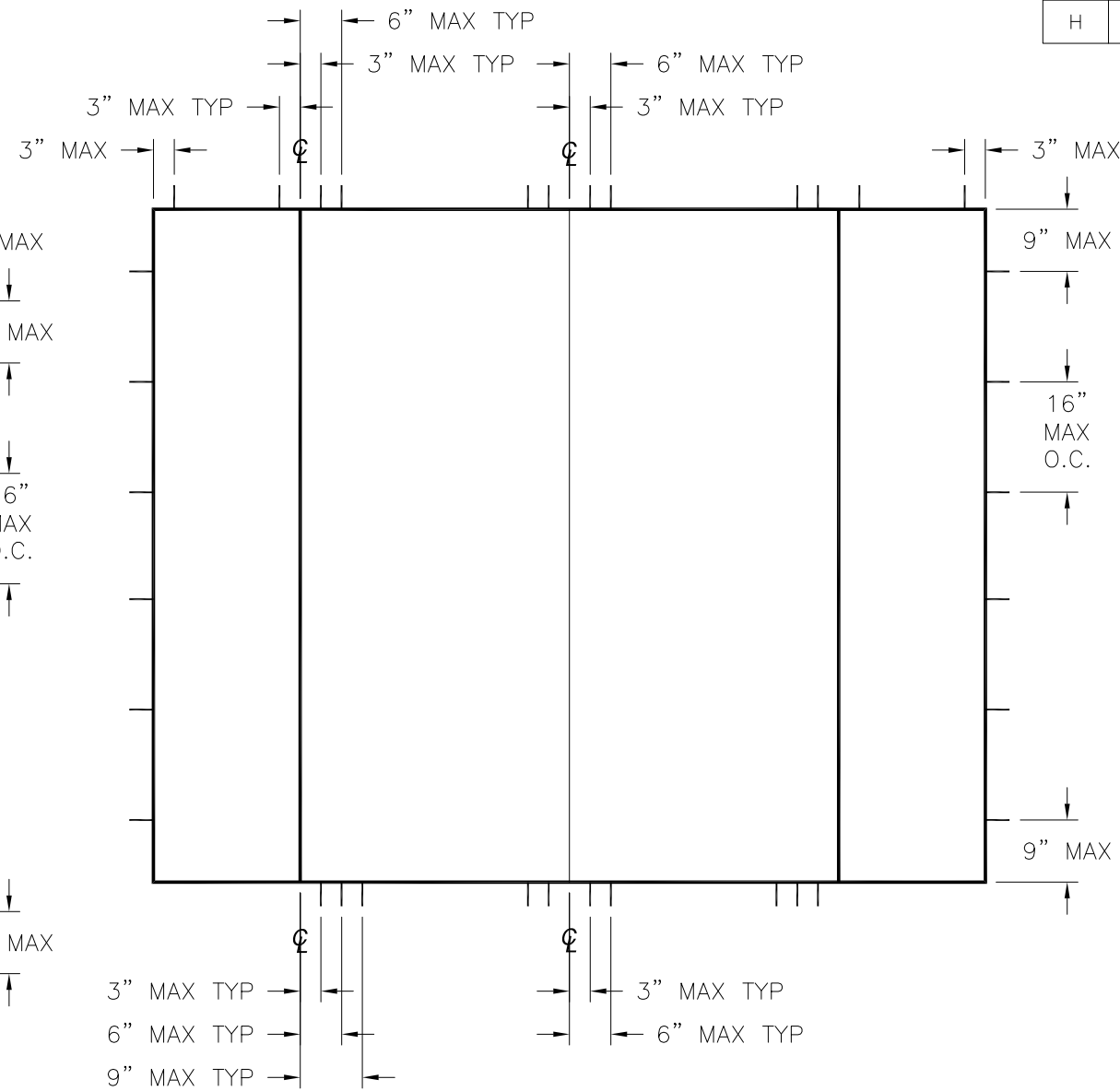
L. ROBERTO LOMAS P.E.  
1432 WOODFORD RD LEWISVILLE, NC 27023  
434-688-0609 rllomas@rlomaspe.com

Luis R. Lomas P.E.  
FL No.: 62514

REVISIONS			
REV	DESCRIPTION	DATE	APPROVED
H	ADDED MULTILITE PANELS & TRIMS	08/12/2021	R.L.

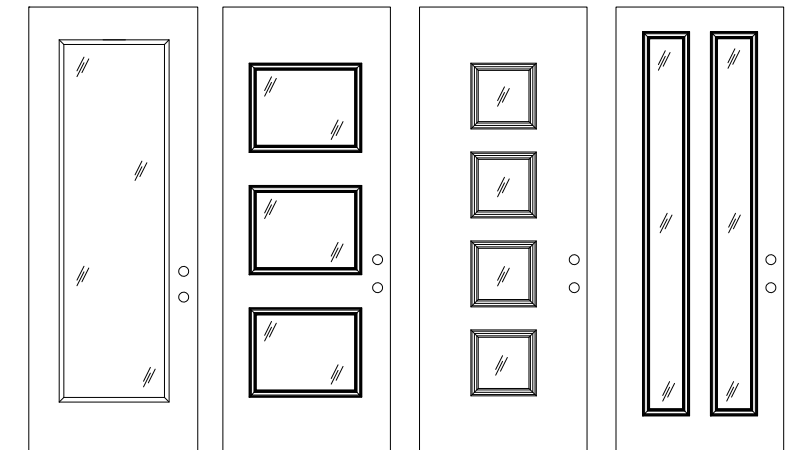


DOUBLE DOOR WITH SIDELITE



DOUBLE DOOR WITH SIDELITES

APPROVED LITE CONFIGURATIONS



**FULL LITE    3 LITE    4 LITE    2 LITE**  
 LITE CONFIGURATIONS SHOWN ARE FOR REFERENCE ONLY.  
 MULTIPLE LITE CONFIGURATIONS ARE APPROVED AS LONG AS  
 LITE SIZE DOES NOT EXCEED 11.1 FT<sup>2</sup>

HARDWARE SCHEDULE	
A.	F-SERIES LOCK ASSEMBLY DOOR KNOB BY SCHLAGE.
B.	B-SERIES DEADBOLT ASSEMBLY BY SCHLAGE.
C.	F-SERIES DEADBOLT ASSEMBLY BY SCHLAGE.
D.	RESIDENTIAL GRADE DOOR HANDLE ASSEMBLY BY EMTEK (ALTERNATE).
E.	MULTI-POINT LOCK HANDLE ASSEMBLY BY TRILENNIUM (ALTERNATE).
F.	(3) 4" x 4" BALL BEARING HINGES BY PENROD.
G.	(3) 4" x 4" SPRING BOMMER HINGES BY PENROD. (ALTERNATE)

**PROVIA, LLC.**  
 2150 STATE ROUTE 39 WEST  
 SUGARCREEK, OH 44681

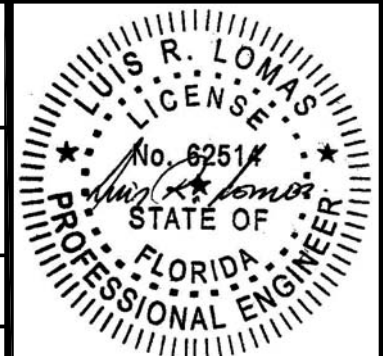
---

STEEL OUTSWING GLAZED DOUBLE DOOR  
 WITH SIDELITES – IMPACT  
 ANCHORING LAYOUTS

DRAWN: J.L.	DWG NO. 08-02022	REV H
SCALE NTS	DATE 05/10/13	SHEET 4 OF 15

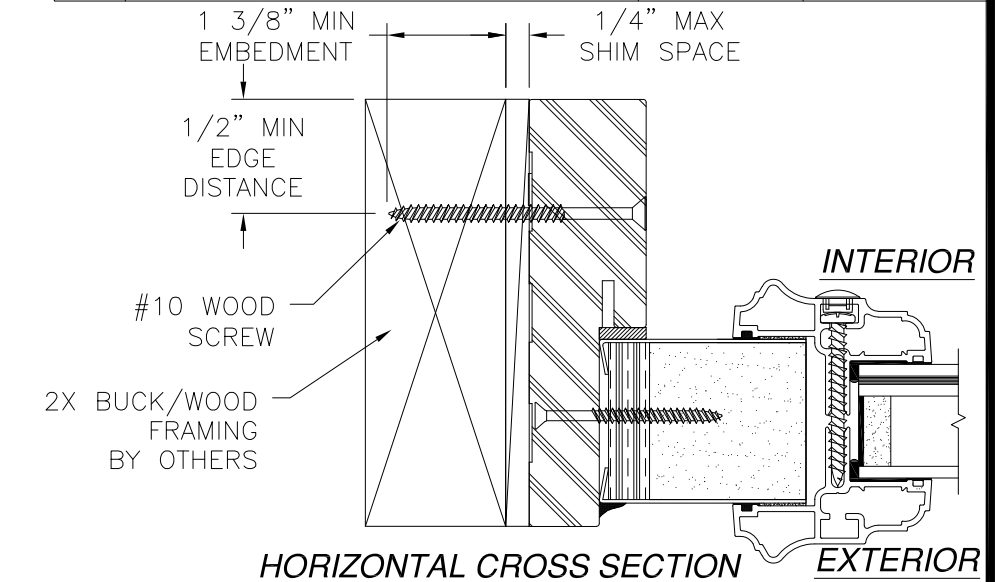
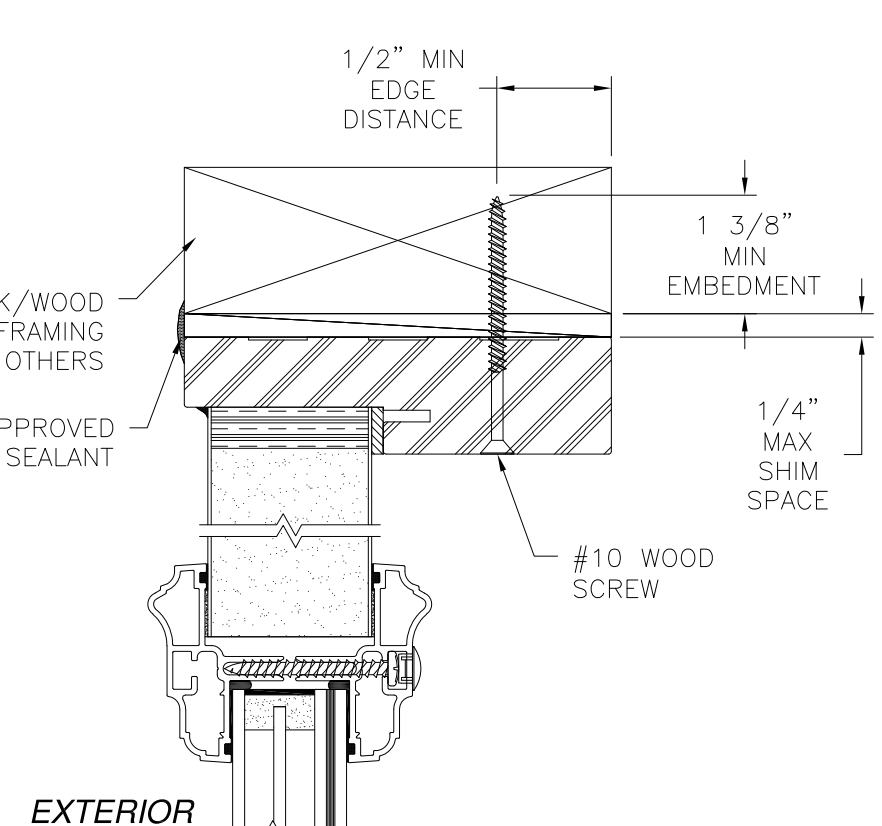
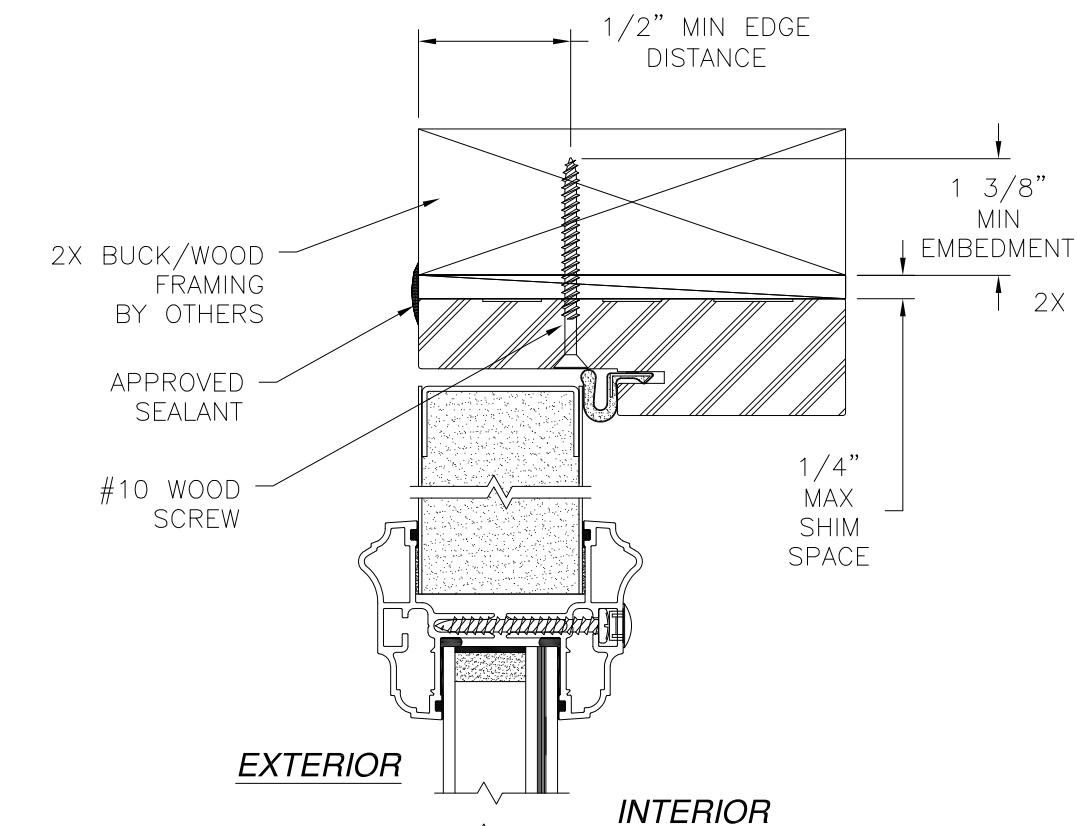
L. ROBERTO LOMAS P.E.  
 1432 WOODFORD RD LEWISVILLE, NC 27023  
 434-688-0609 rllomas@rlomaspe.com

SIGNED: 09/07/2021

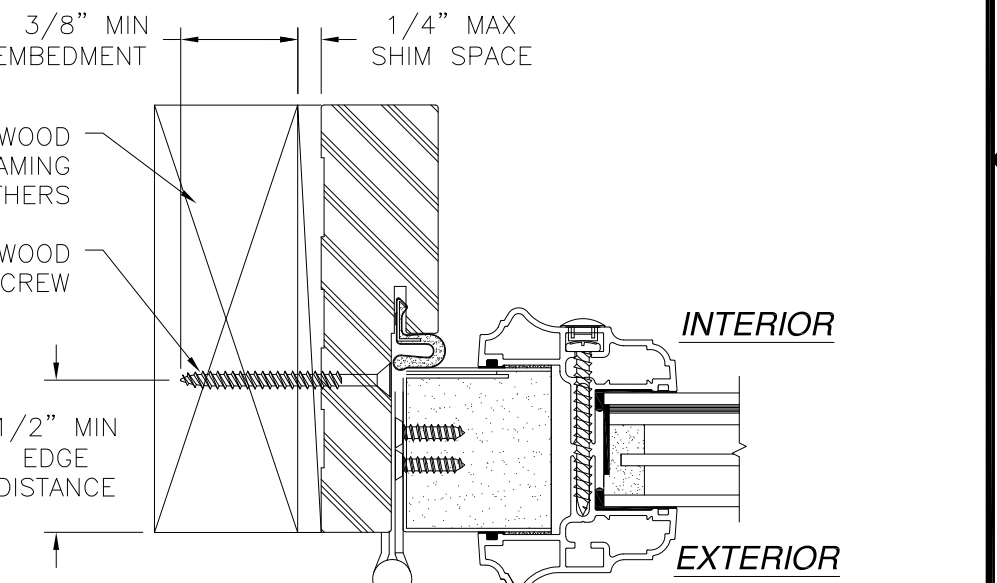
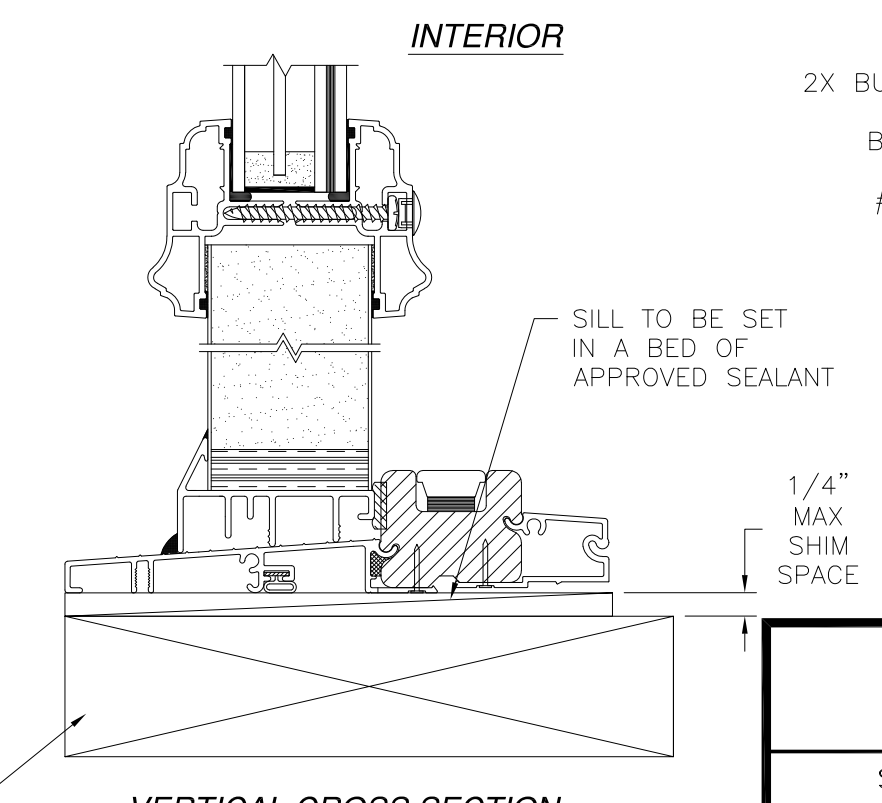
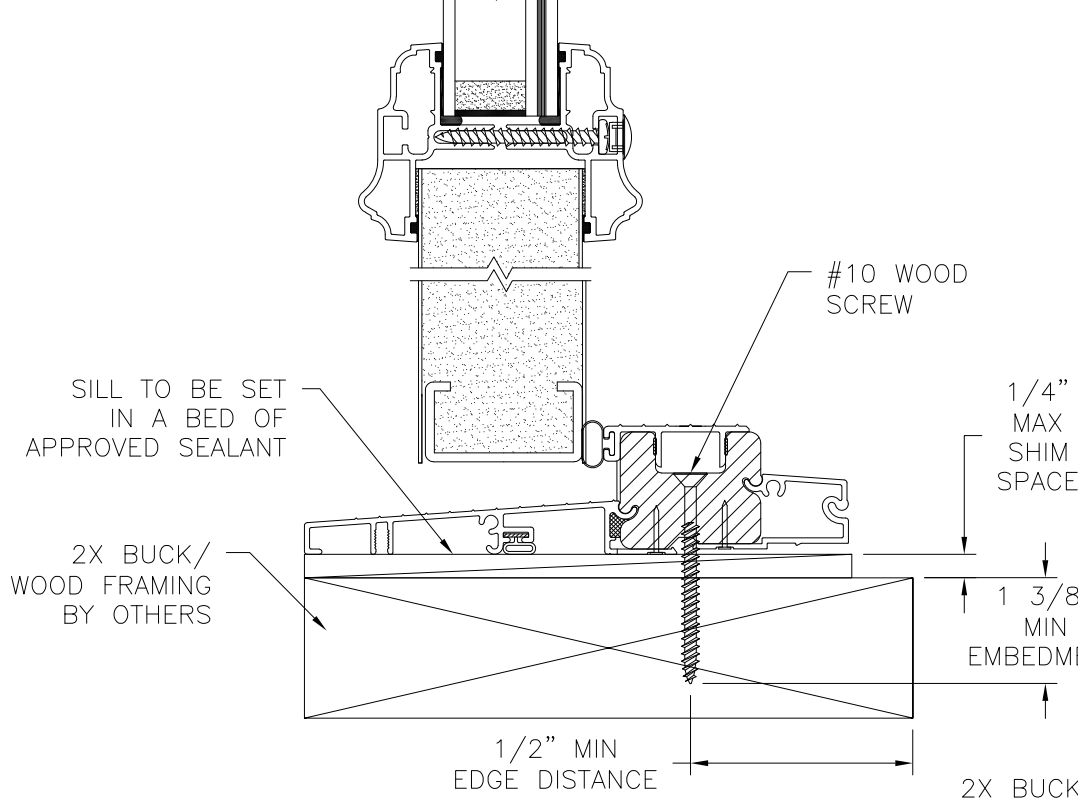


Luis R. Lomas P.E.  
 FL No.: 62514

REVISIONS			
REV	DESCRIPTION	DATE	APPROVED
H	ADDED MULTILITE PANELS & TRIMS	08/12/2021	R.L.



**HORIZONTAL CROSS SECTION**  
SIDELITE INSTALLATION 2X BUCK/WOOD FRAMING  
STANDARD SIDELITE SHOWN  
DIRECT SET SIDELITE SIMILAR



**HORIZONTAL CROSS SECTION**  
DOOR INSTALLATION - 2X BUCK/WOOD FRAMING SIGNED: 09/07/2021

**VERTICAL CROSS SECTION**  
DOOR INSTALLATION - 2X BUCK/WOOD FRAMING

**VERTICAL CROSS SECTION**  
SIDELITE INSTALLATION 2X BUCK/WOOD FRAMING  
STANDARD SIDELITE SHOWN  
DIRECT SET SIDELITE SIMILAR

- NOTES:**
- INTERIOR AND EXTERIOR FINISHES, BY OTHERS, NOT SHOWN FOR CLARITY.
  - PERIMETER AND JOINT SEALANT BY OTHERS TO BE DESIGNED IN ACCORDANCE WITH ASTM E2112

PROVIA, LLC.  
2150 STATE ROUTE 39 WEST  
SUGARCREEK, OH 44681

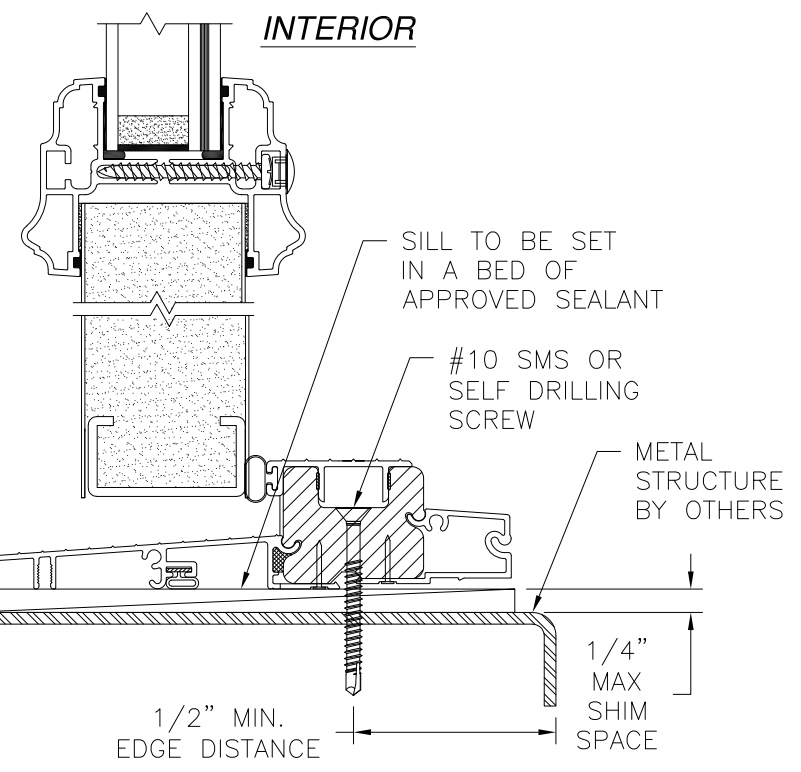
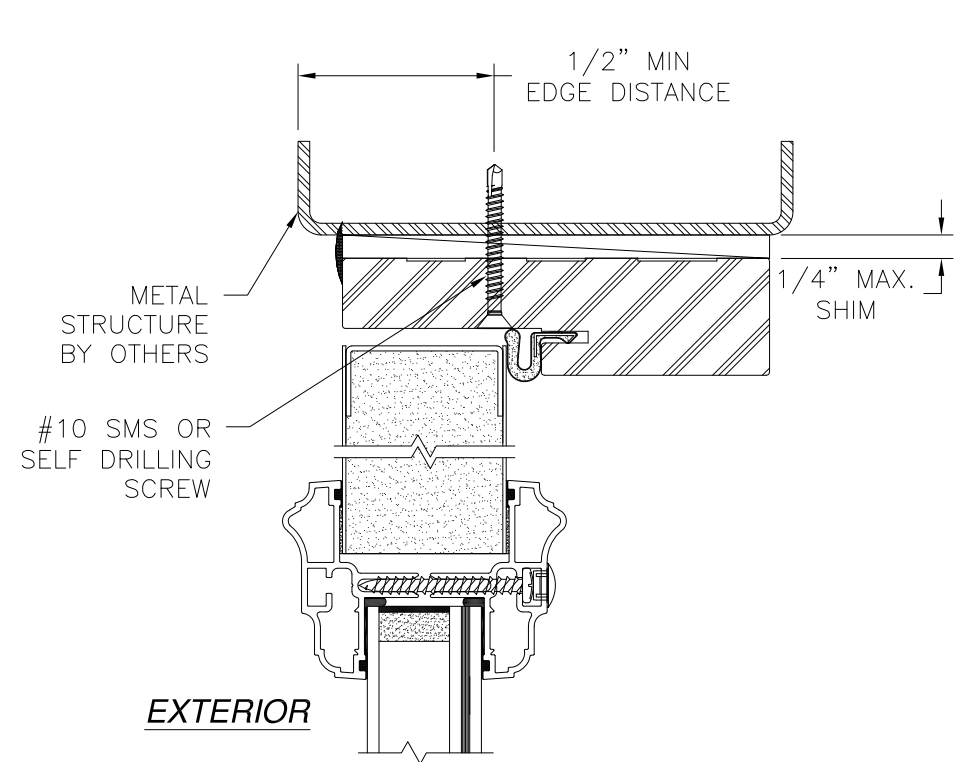
STEEL OUTSWING GLAZED DOUBLE DOOR  
WITH SIDELITES - IMPACT  
INSTALLATION DETAILS

DRAWN: J.L.	DWG NO. 08-02022	REV H
SCALE NTS	DATE 05/10/13	SHEET 5 OF 15

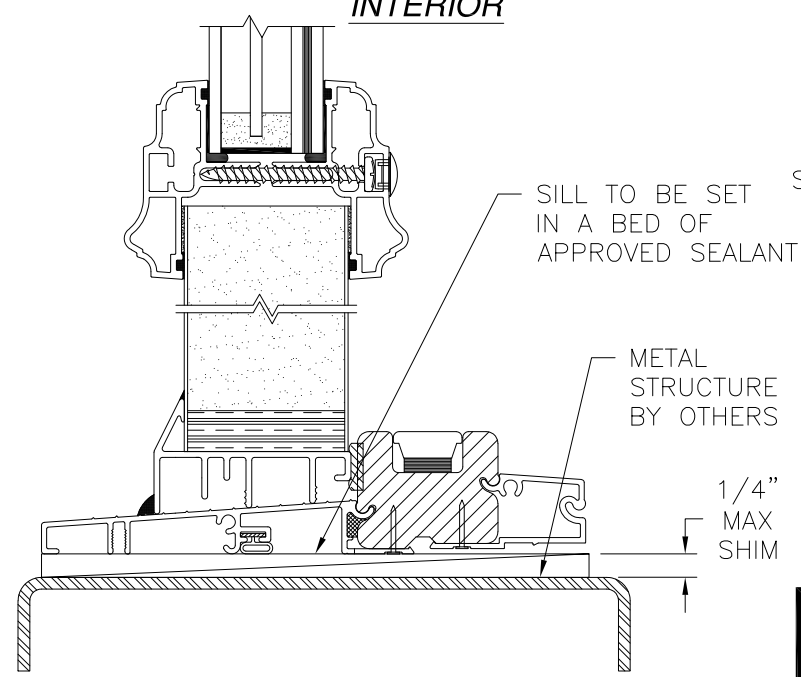
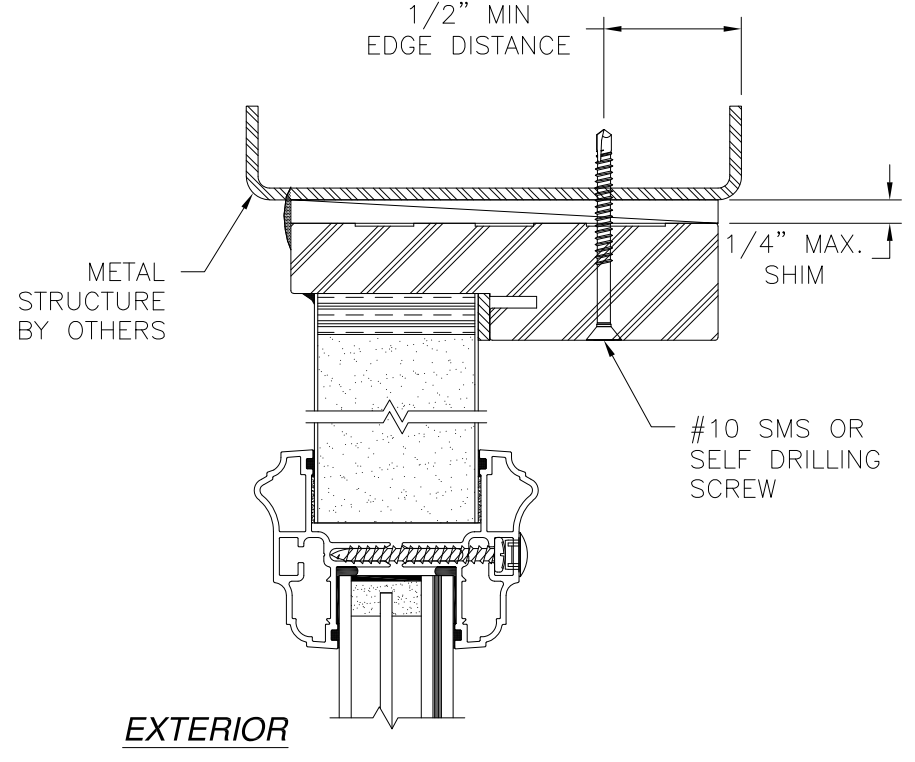
L. ROBERTO LOMAS P.E.  
1432 WOODFORD RD LEWISVILLE, NC 27023  
434-688-0609 rllomas@rlomaspe.com

Luis R. Lomas P.E.  
FL No.: 62514

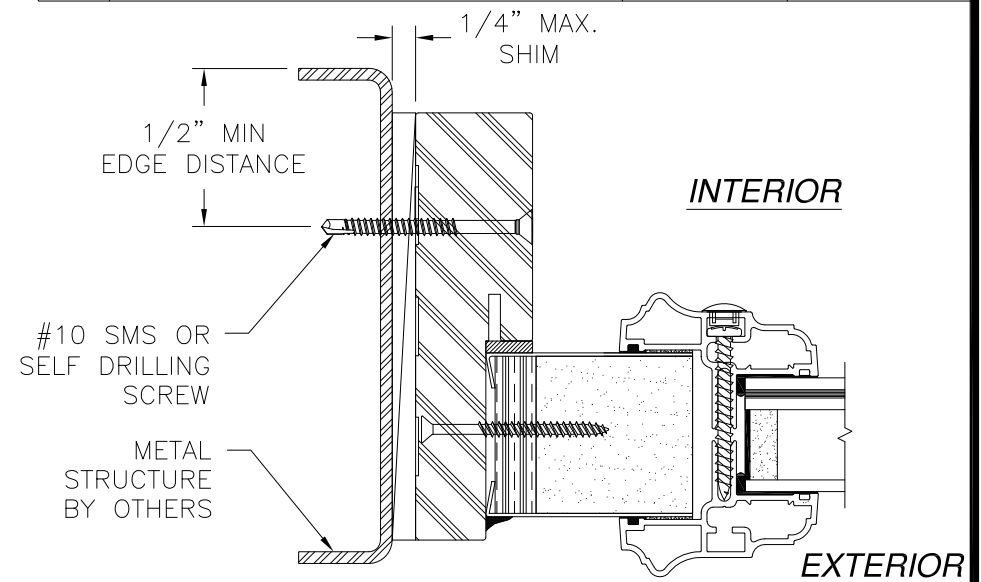
REVISIONS			
REV	DESCRIPTION	DATE	APPROVED
H	ADDED MULTILITE PANELS & TRIMS	08/12/2021	R.L.



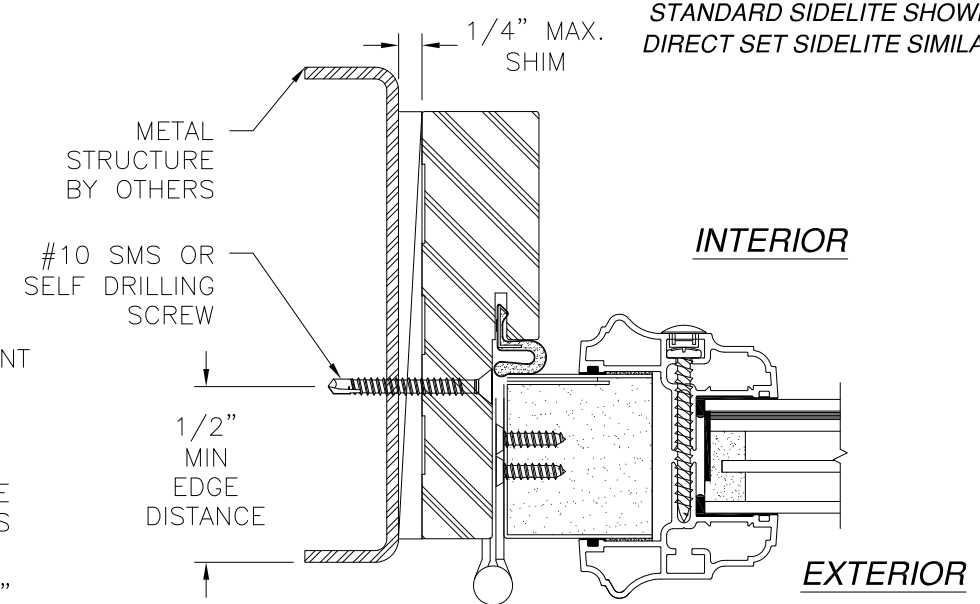
**VERTICAL CROSS SECTION**  
DOOR INSTALLATION METAL STRUCTURE



**VERTICAL CROSS SECTION**  
SIDELITE INSTALLATION METAL STRUCTURE  
STANDARD SIDELITE SHOWN  
DIRECT SET SIDELITE SIMILAR



**HORIZONTAL CROSS SECTION**  
SIDELITE INSTALLATION METAL STRUCTURE  
STANDARD SIDELITE SHOWN  
DIRECT SET SIDELITE SIMILAR



**HORIZONTAL CROSS SECTION**  
DOOR INSTALLATION METAL STRUCTURE

SIGNED: 09/07/2021

- NOTES:**
1. INTERIOR AND EXTERIOR FINISHES, BY OTHERS, NOT SHOWN FOR CLARITY.
  2. PERIMETER AND JOINT SEALANT BY OTHERS TO BE DESIGNED IN ACCORDANCE WITH ASTM E2112

PROVIA, LLC.  
2150 STATE ROUTE 39 WEST  
SUGARCREEK, OH 44681

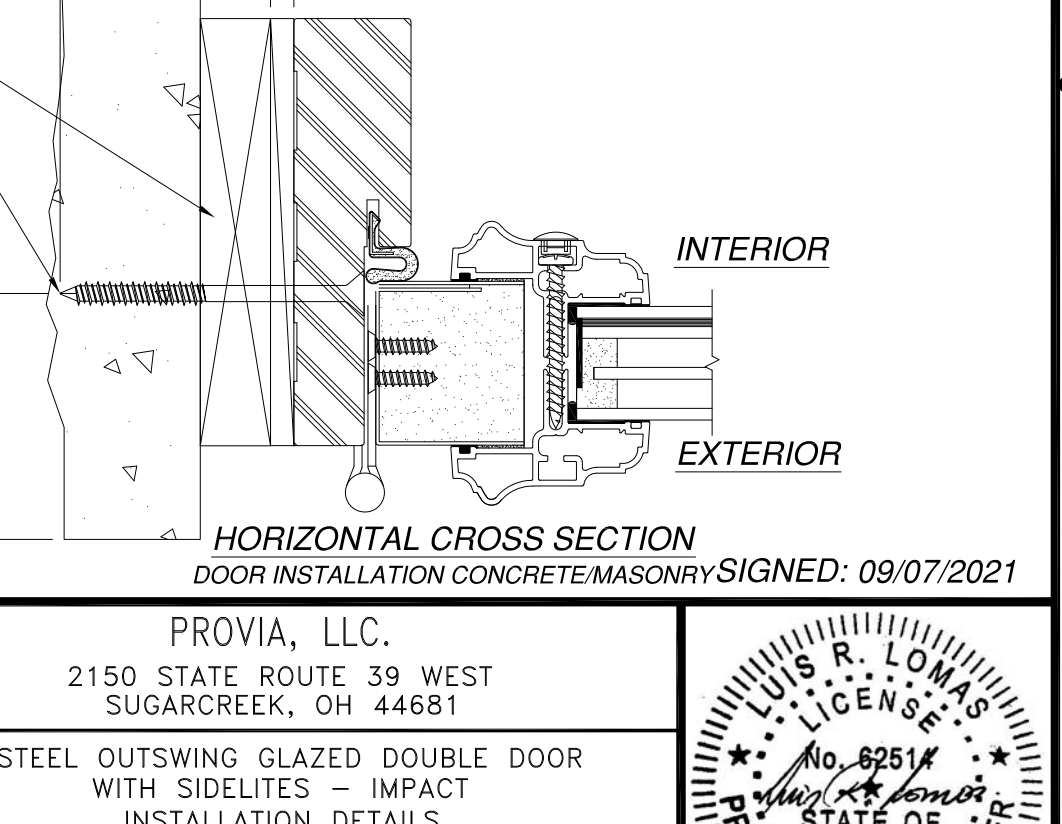
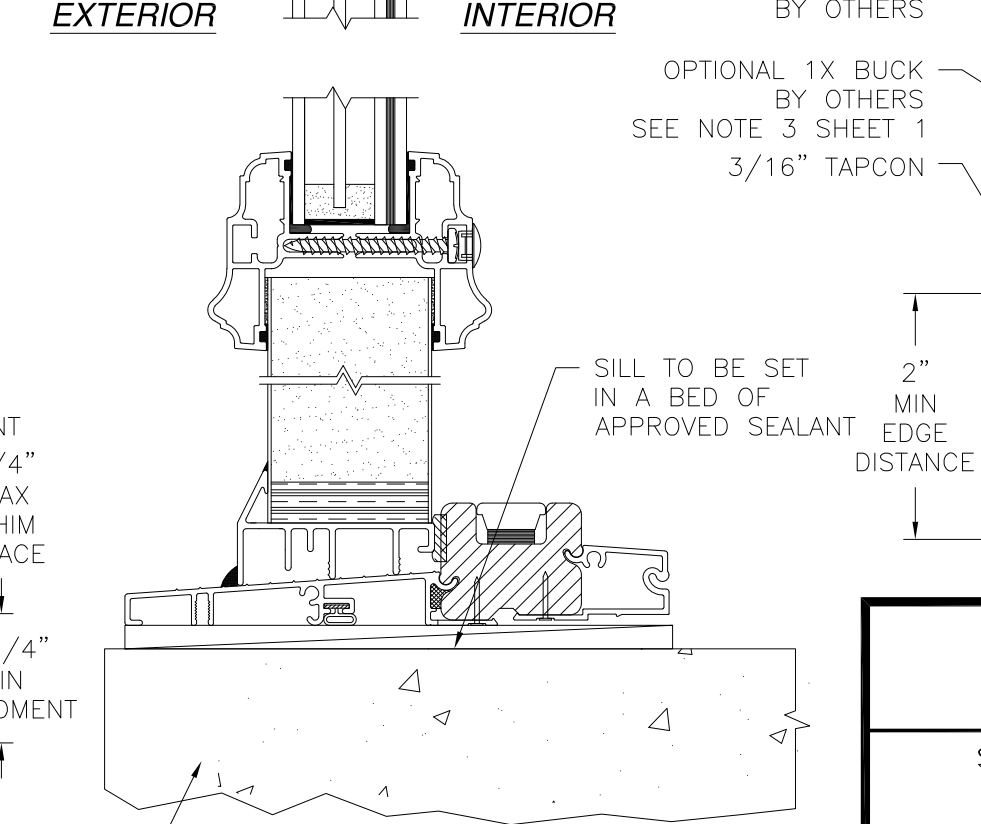
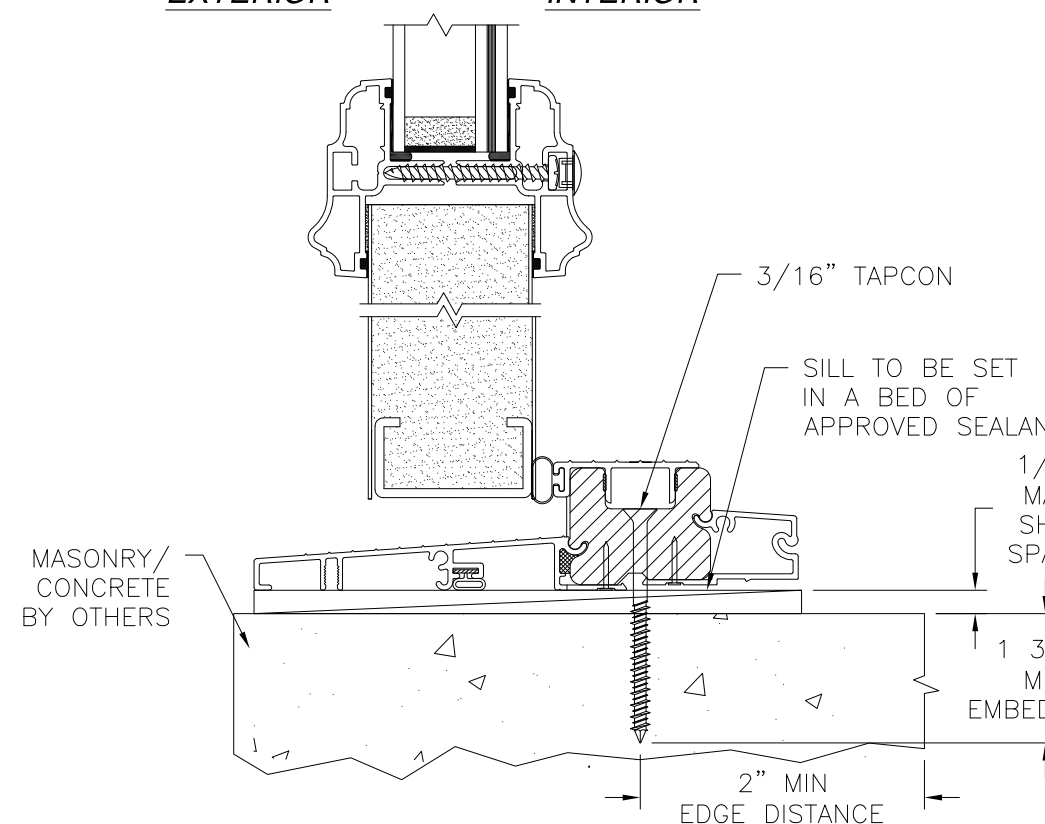
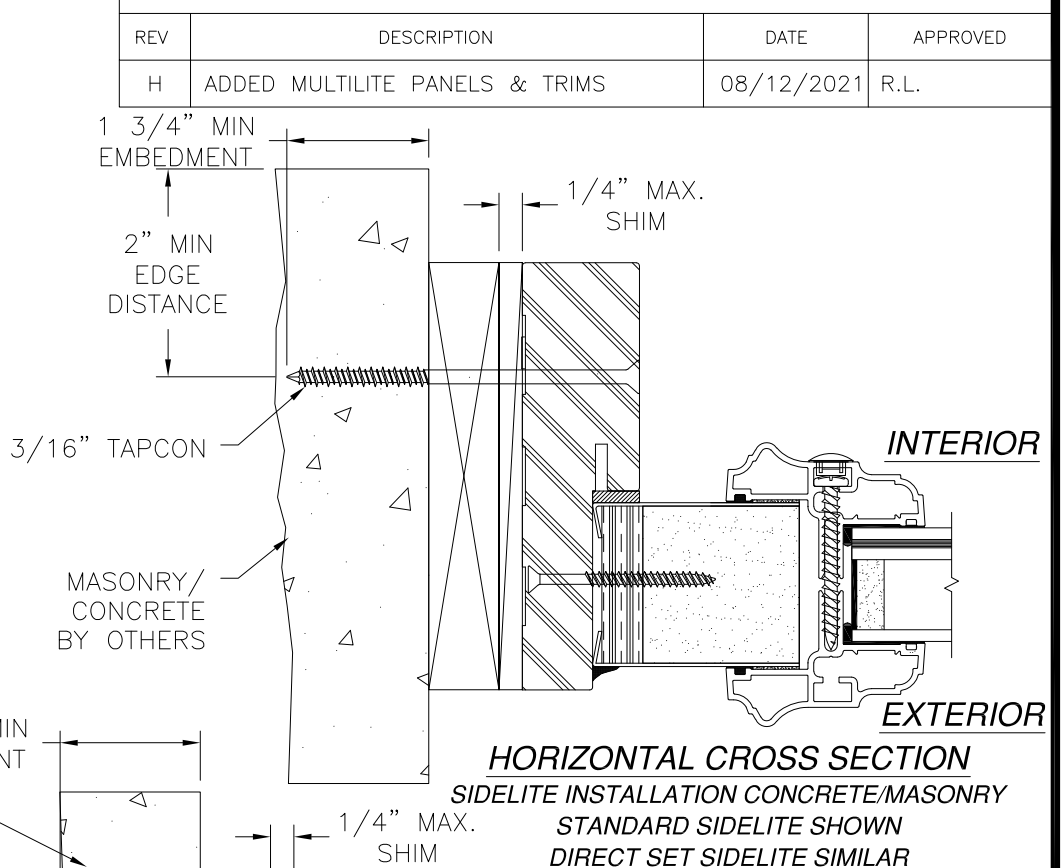
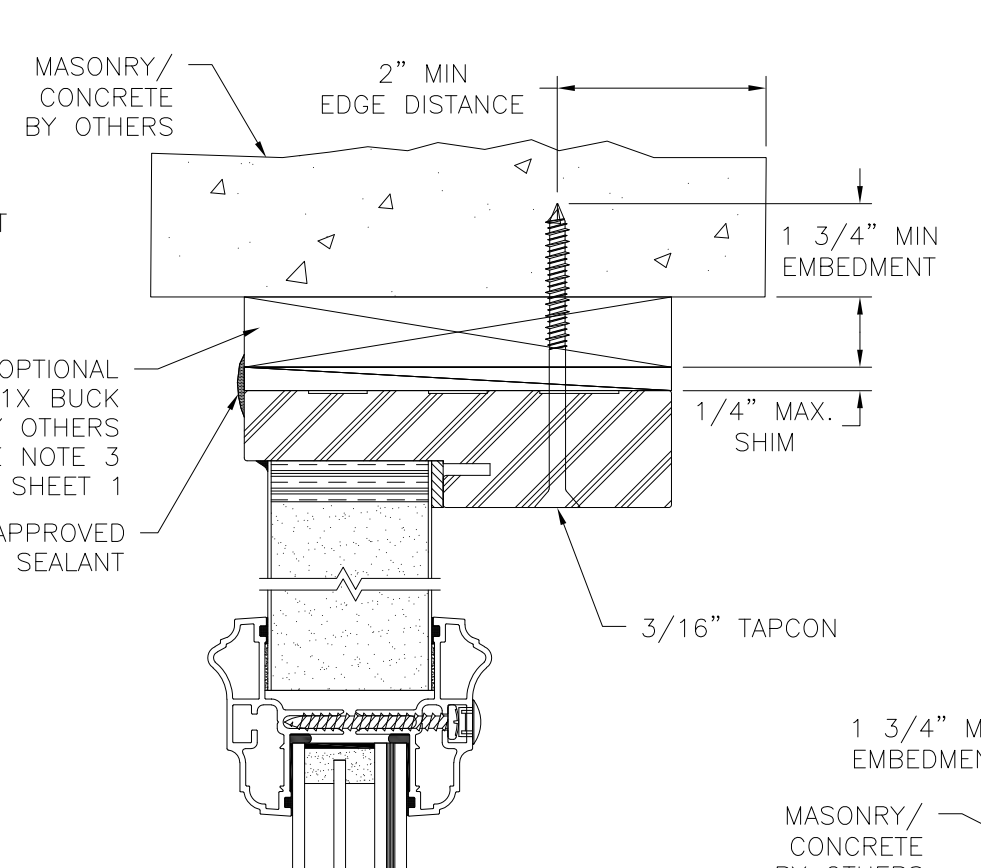
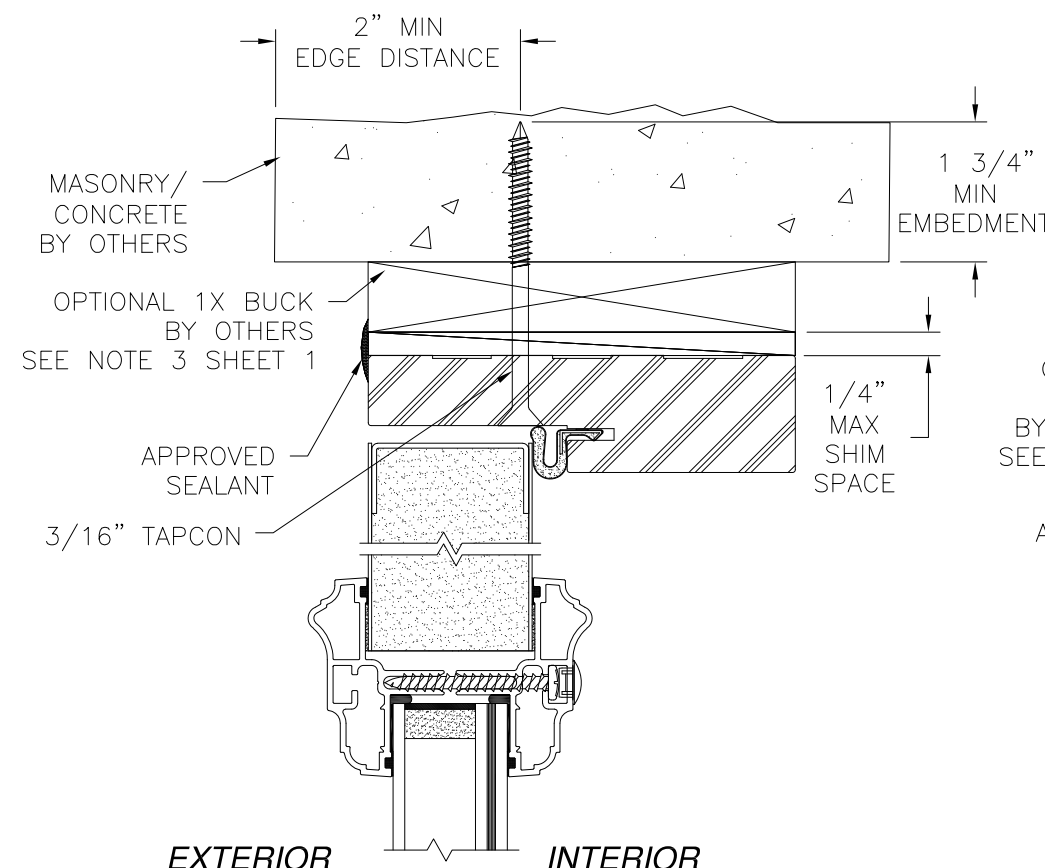
STEEL OUTSWING GLAZED DOUBLE DOOR  
WITH SIDELITES – IMPACT  
INSTALLATION DETAILS

DRAWN: J.L.	DWG NO. 08-02022	REV H
SCALE NTS	DATE 05/10/13	SHEET 6 OF 15

L. ROBERTO LOMAS P.E.  
1432 WOODFORD RD LEWISVILLE, NC 27023  
434-688-0609 rllomas@rlomaspe.com

Luis R. Lomas P.E.  
FL No.: 62514

REVISIONS			
REV	DESCRIPTION	DATE	APPROVED
H	ADDED MULTILITE PANELS & TRIMS	08/12/2021	R.L.



**NOTES:**  
 1. INTERIOR AND EXTERIOR FINISHES, BY OTHERS, NOT SHOWN FOR CLARITY.  
 2. PERIMETER AND JOINT SEALANT BY OTHERS TO BE DESIGNED IN ACCORDANCE WITH ASTM E2112

**VERTICAL CROSS SECTION**  
 DOOR INSTALLATION MASONRY/CONCRETE

**VERTICAL CROSS SECTION**  
 SIDELITE INSTALLATION MASONRY/CONCRETE  
 STANDARD SIDELITE SHOWN  
 DIRECT SET SIDELITE SIMILAR

**HORIZONTAL CROSS SECTION**  
 SIDELITE INSTALLATION CONCRETE/MASONRY  
 STANDARD SIDELITE SHOWN  
 DIRECT SET SIDELITE SIMILAR

**HORIZONTAL CROSS SECTION**  
 DOOR INSTALLATION CONCRETE/MASONRY SIGNED: 09/07/2021

PROVIA, LLC.  
 2150 STATE ROUTE 39 WEST  
 SUGARCREEK, OH 44681

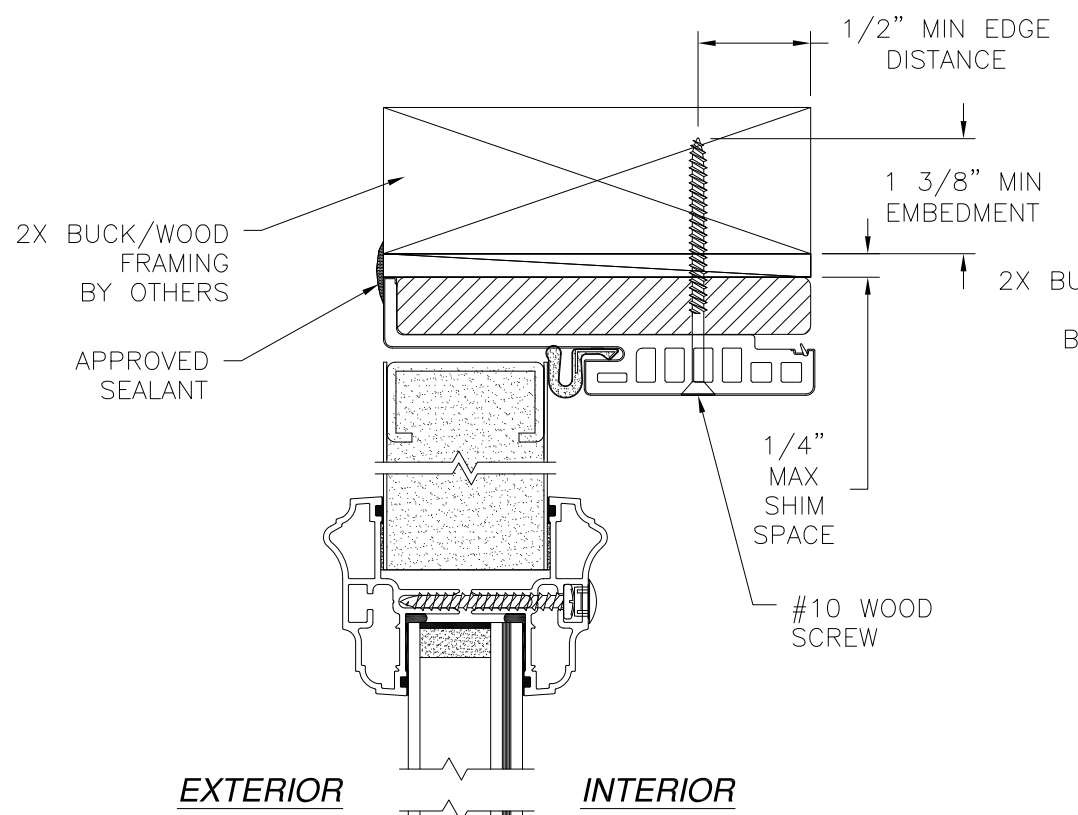
STEEL OUTSWING GLAZED DOUBLE DOOR  
 WITH SIDELITES - IMPACT  
 INSTALLATION DETAILS

DRAWN: J.L.	DWG NO. 08-02022	REV H
SCALE NTS	DATE 05/10/13	SHEET 7 OF 15

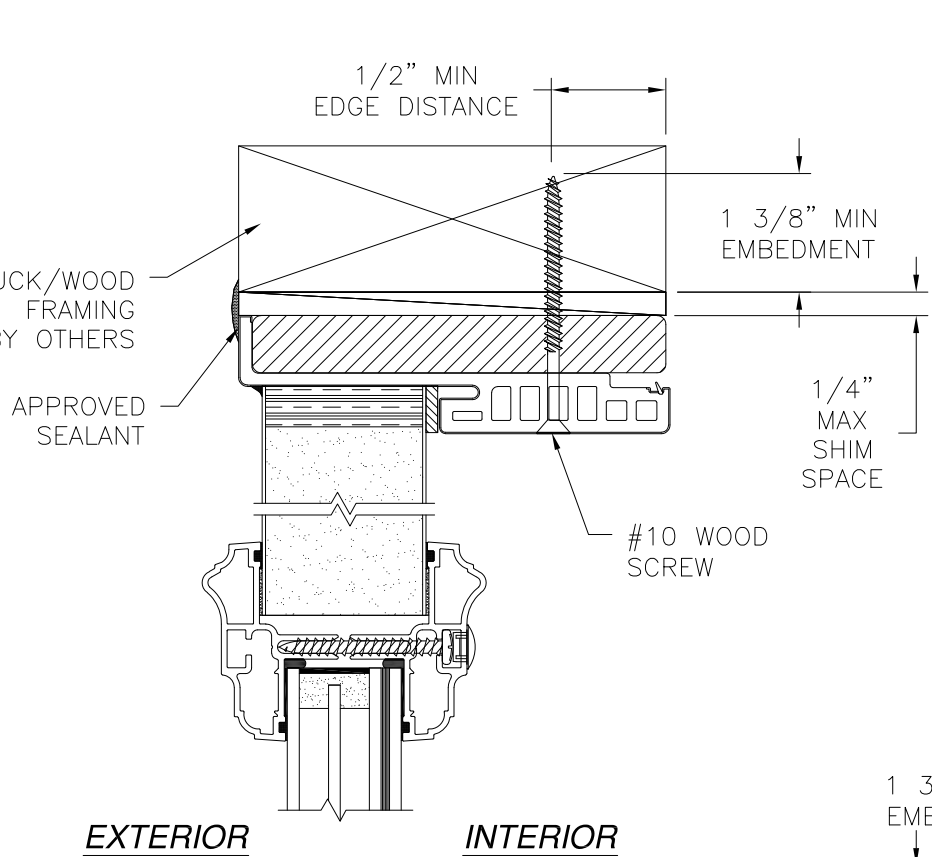
L. ROBERTO LOMAS P.E.  
 1432 WOODFORD RD LEWISVILLE, NC 27023  
 434-688-0609 rllomas@rlomaspe.com

Luis R. Lomas P.E.  
 FL No.: 62514

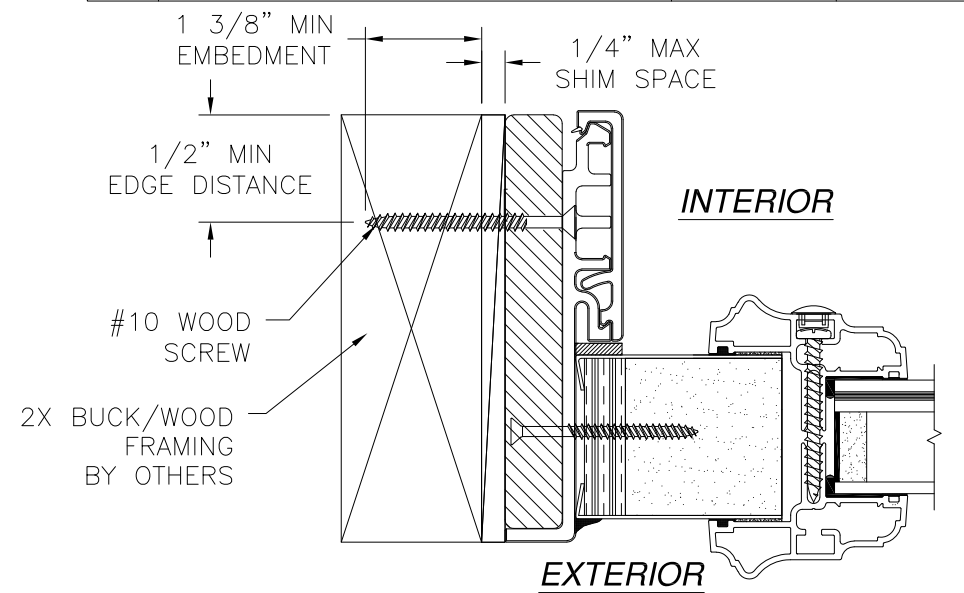
REVISIONS			
REV	DESCRIPTION	DATE	APPROVED
H	ADDED MULTILITE PANELS & TRIMS	08/12/2021	R.L.



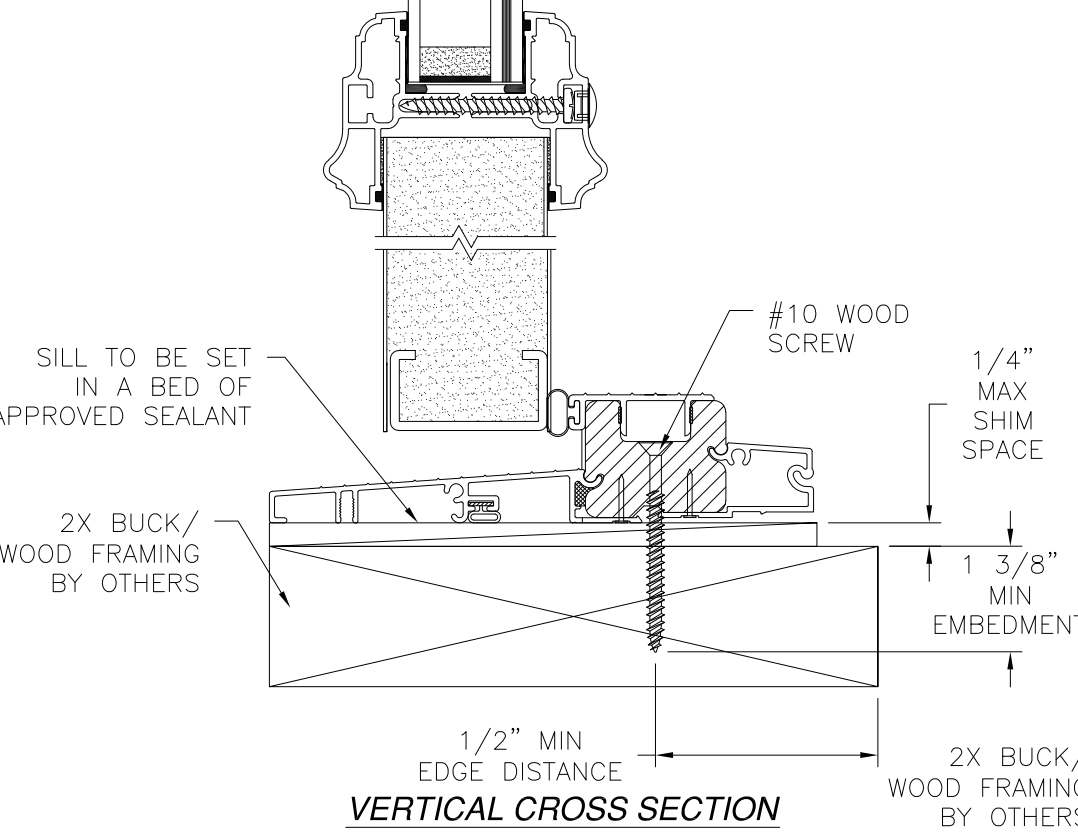
**VERTICAL CROSS SECTION**  
DOOR INSTALLATION - 2X BUCK/WOOD FRAMING



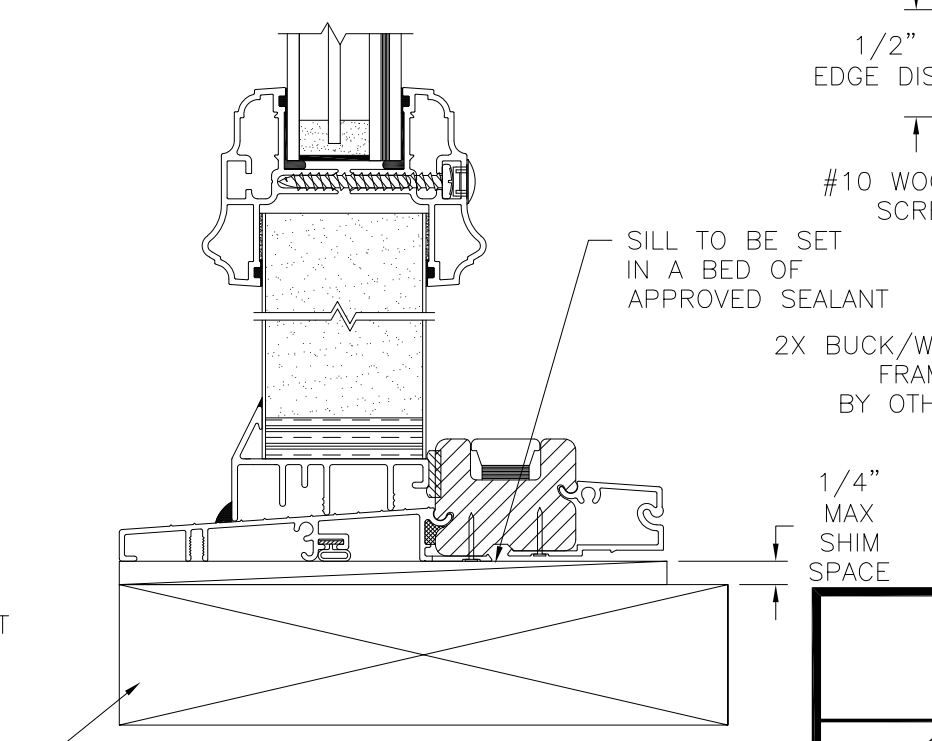
**VERTICAL CROSS SECTION**  
SIDELITE INSTALLATION 2X BUCK/WOOD FRAMING  
STANDARD SIDELITE SHOWN  
DIRECT SET SIDELITE SIMILAR



**HORIZONTAL CROSS SECTION**  
DOOR INSTALLATION - 2X BUCK/WOOD FRAMING



**HORIZONTAL CROSS SECTION**  
SIDELITE INSTALLATION 2X BUCK/WOOD FRAMING  
STANDARD SIDELITE SHOWN  
DIRECT SET SIDELITE SIMILAR



**HORIZONTAL CROSS SECTION**  
DOOR INSTALLATION - 2X BUCK/WOOD FRAMING

SIGNED: 09/07/2021

- NOTES:**
1. INTERIOR AND EXTERIOR FINISHES, BY OTHERS, NOT SHOWN FOR CLARITY.
  2. PERIMETER AND JOINT SEALANT BY OTHERS TO BE DESIGNED IN ACCORDANCE WITH ASTM E2112

PROVIA, LLC.  
2150 STATE ROUTE 39 WEST  
SUGARCREEK, OH 44681

STEEL OUTSWING GLAZED DOUBLE DOOR  
WITH SIDELITES - IMPACT  
INSTALLATION DETAILS W/FUSION FRAME

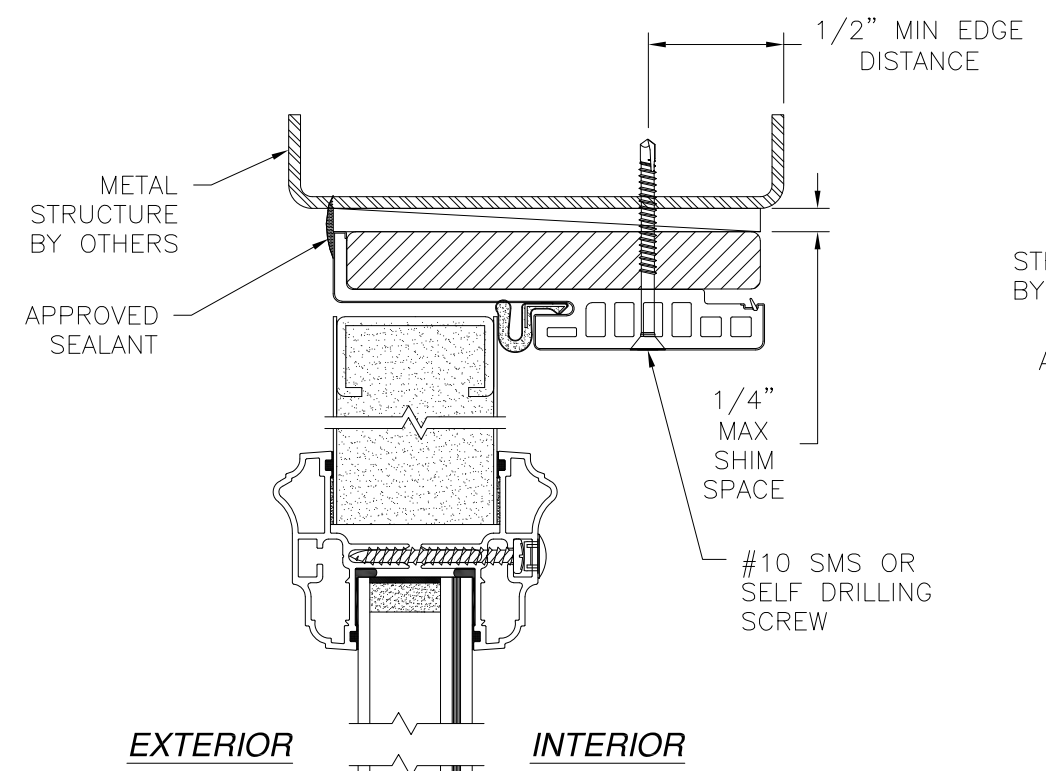
DRAWN: J.L.	DWG NO. 08-02022	REV H
SCALE NTS	DATE 05/10/13	SHEET 8 OF 15

L. ROBERTO LOMAS P.E.  
1432 WOODFORD RD LEWISVILLE, NC 27023  
434-688-0609 rllomas@rlomaspe.com

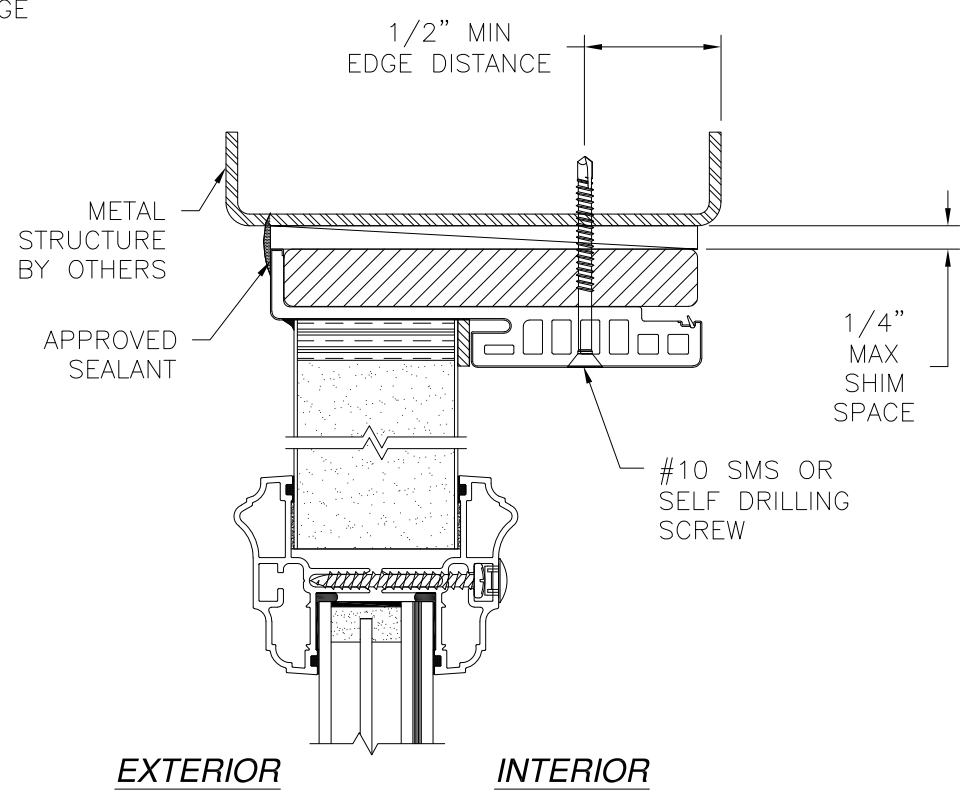
Luis R. Lomas P.E.  
FL No.: 62514



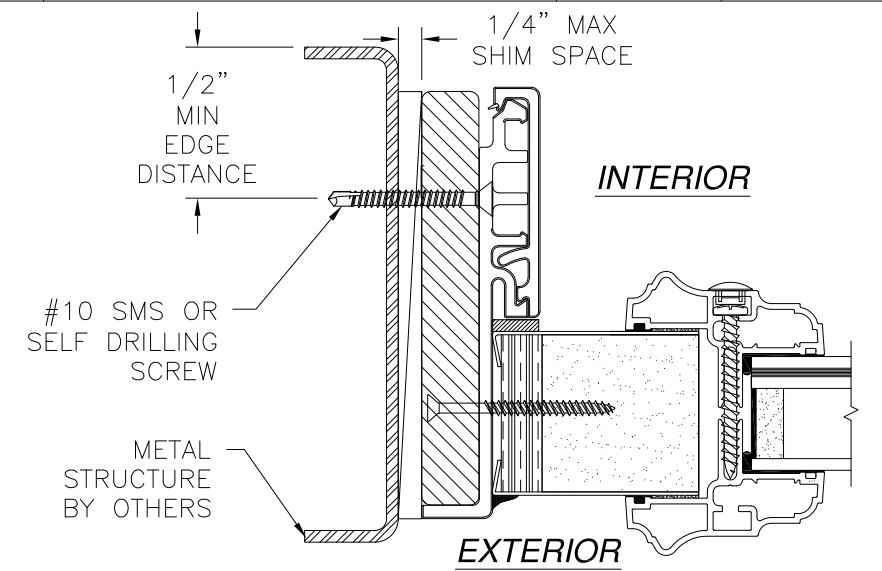
REVISIONS			
REV	DESCRIPTION	DATE	APPROVED
H	ADDED MULTILITE PANELS & TRIMS	08/12/2021	R.L.



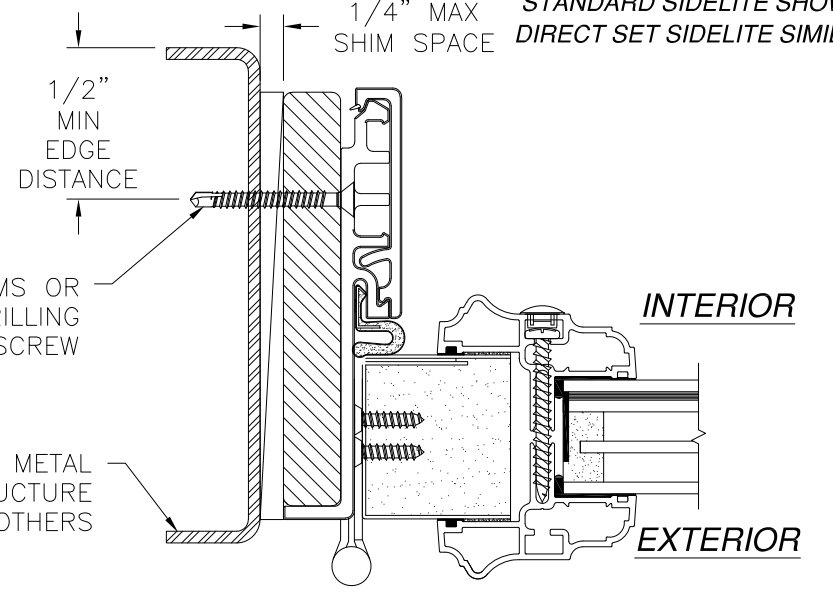
**VERTICAL CROSS SECTION**  
DOOR INSTALLATION - METAL STRUCTURE



**VERTICAL CROSS SECTION**  
SIDELITE INSTALLATION METAL STRUCTURE  
STANDARD SIDELITE SHOWN  
DIRECT SET SIDELITE SIMILAR

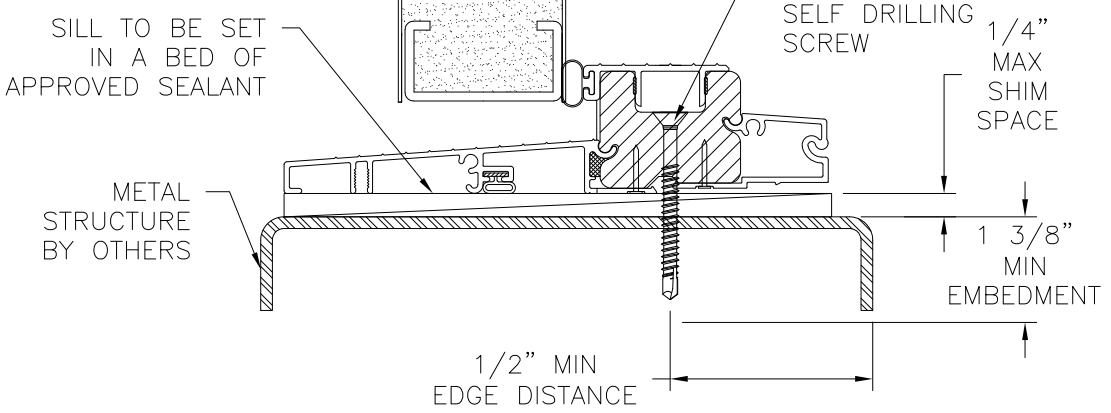


**HORIZONTAL CROSS SECTION**  
SIDELITE INSTALLATION METAL STRUCTURE  
STANDARD SIDELITE SHOWN  
DIRECT SET SIDELITE SIMILAR



**HORIZONTAL CROSS SECTION**  
DOOR INSTALLATION - METAL STRUCTURE

SIGNED: 09/07/2021



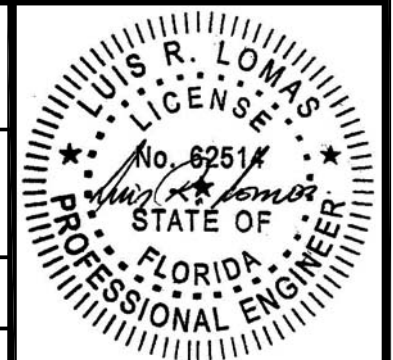
- NOTES:**
1. INTERIOR AND EXTERIOR FINISHES, BY OTHERS, NOT SHOWN FOR CLARITY.
  2. PERIMETER AND JOINT SEALANT BY OTHERS TO BE DESIGNED IN ACCORDANCE WITH ASTM E2112

PROVIA, LLC.  
2150 STATE ROUTE 39 WEST  
SUGARCREEK, OH 44681

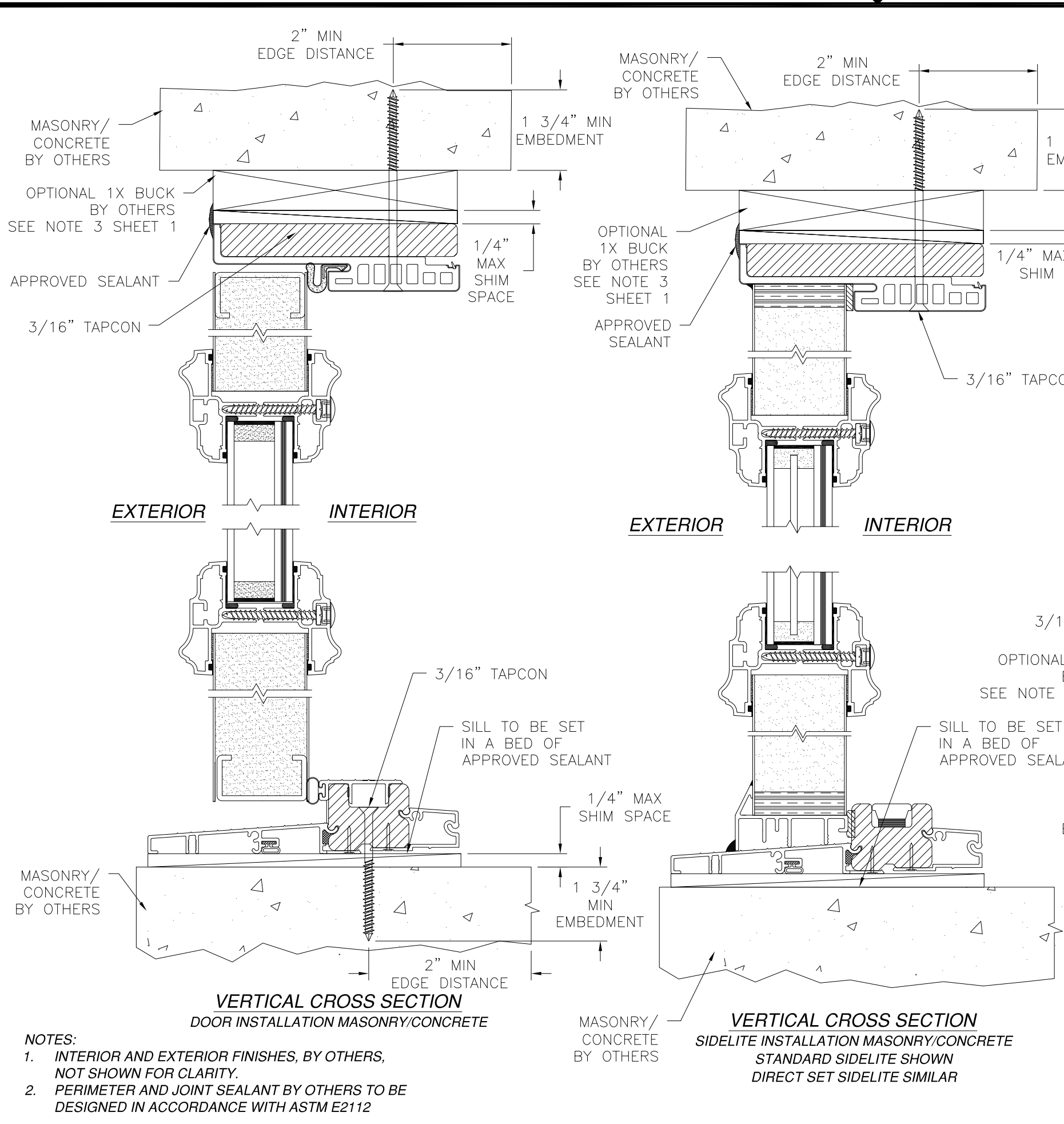
STEEL OUTSWING GLAZED DOUBLE DOOR  
WITH SIDELITES - IMPACT  
INSTALLATION DETAILS W/FUSION FRAME

DRAWN: J.L.	DWG NO. 08-02022	REV H
SCALE NTS	DATE 05/10/13	SHEET 9 OF 15

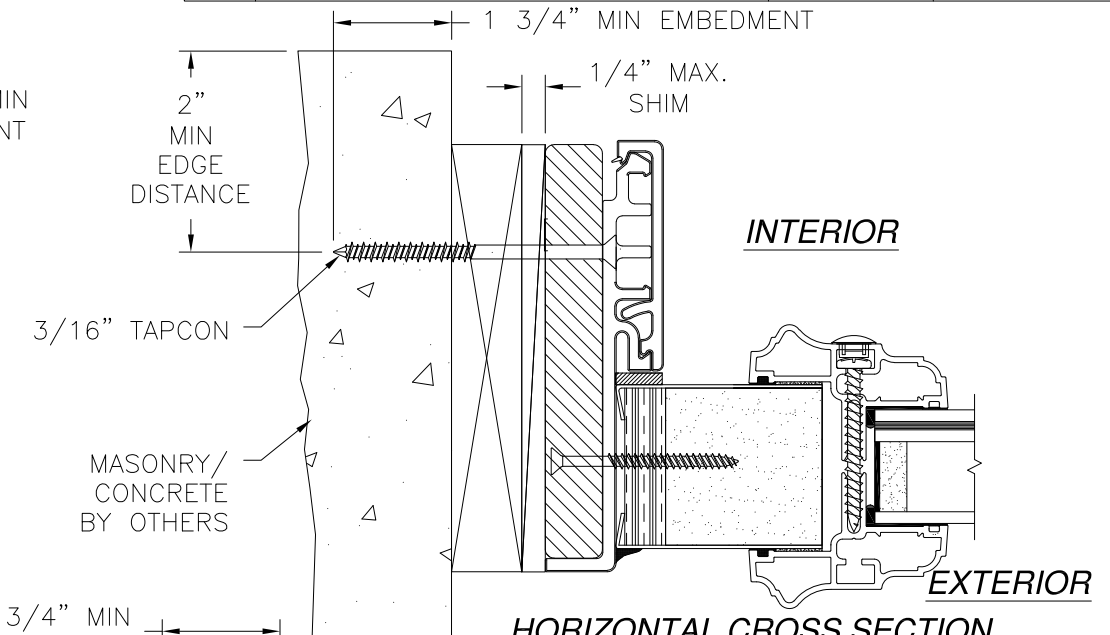
L. ROBERTO LOMAS P.E.  
1432 WOODFORD RD LEWISVILLE, NC 27023  
434-688-0609 rllomas@rlomaspe.com



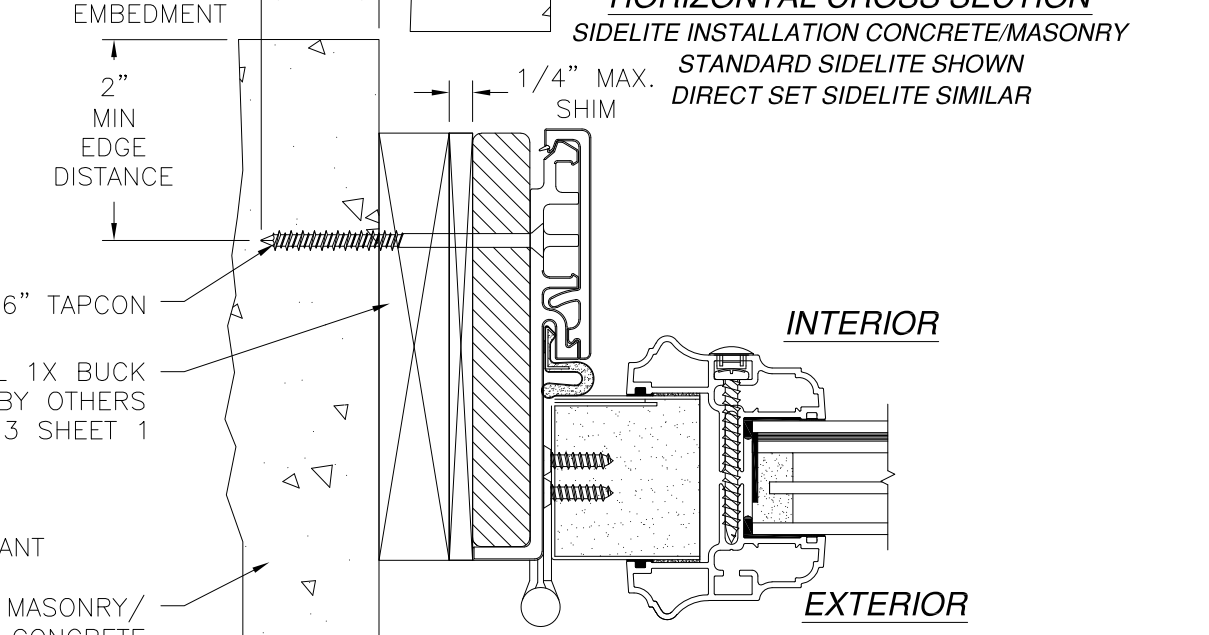
Luis R. Lomas P.E.  
FL No.: 62514



REVISIONS			
REV	DESCRIPTION	DATE	APPROVED
H	ADDED MULTILITE PANELS & TRIMS	08/12/2021	R.L.



**HORIZONTAL CROSS SECTION**  
SIDELITE INSTALLATION CONCRETE/MASONRY  
STANDARD SIDELITE SHOWN  
DIRECT SET SIDELITE SIMILAR



**HORIZONTAL CROSS SECTION**  
DOOR INSTALLATION CONCRETE/MASONRY  
SIGNED: 09/07/2021

- NOTES:**
1. INTERIOR AND EXTERIOR FINISHES, BY OTHERS, NOT SHOWN FOR CLARITY.
  2. PERIMETER AND JOINT SEALANT BY OTHERS TO BE DESIGNED IN ACCORDANCE WITH ASTM E2112

**PROVIA, LLC.**  
2150 STATE ROUTE 39 WEST  
SUGARCREEK, OH 44681

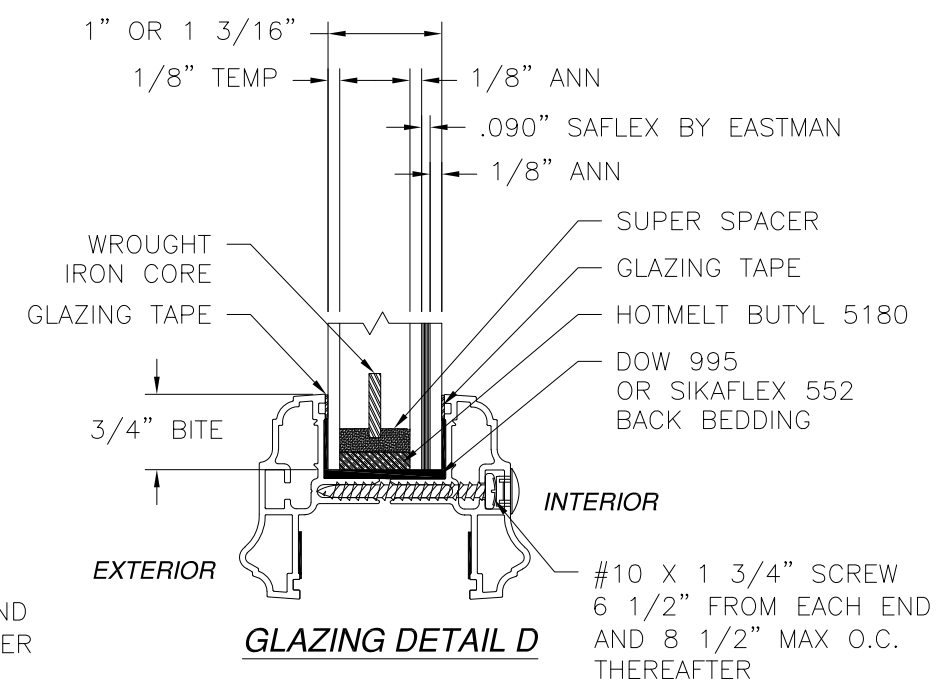
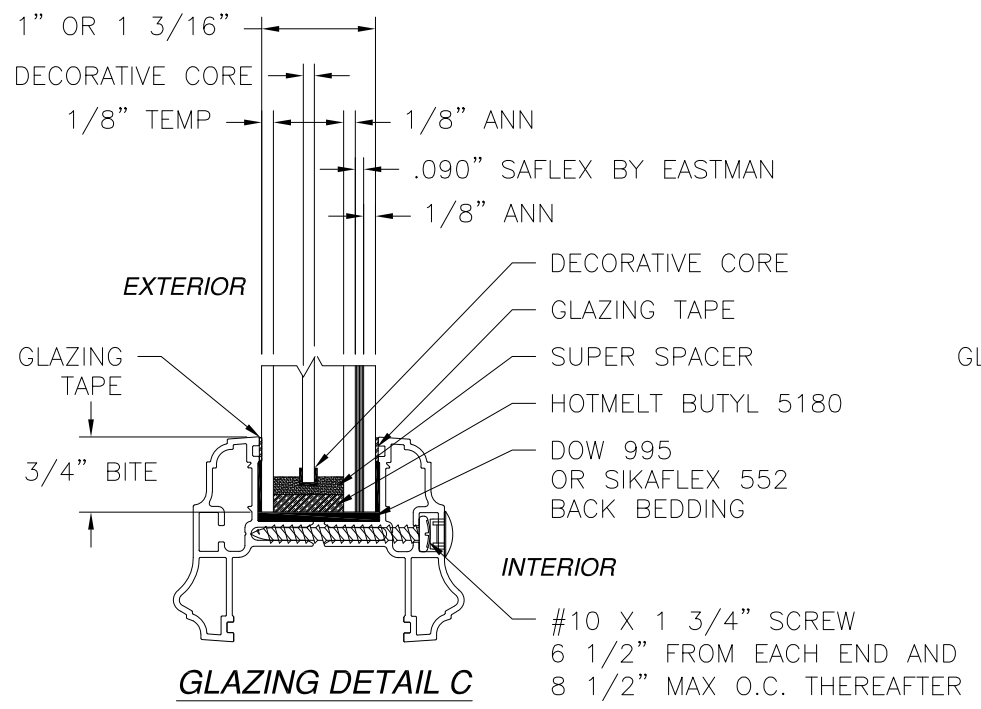
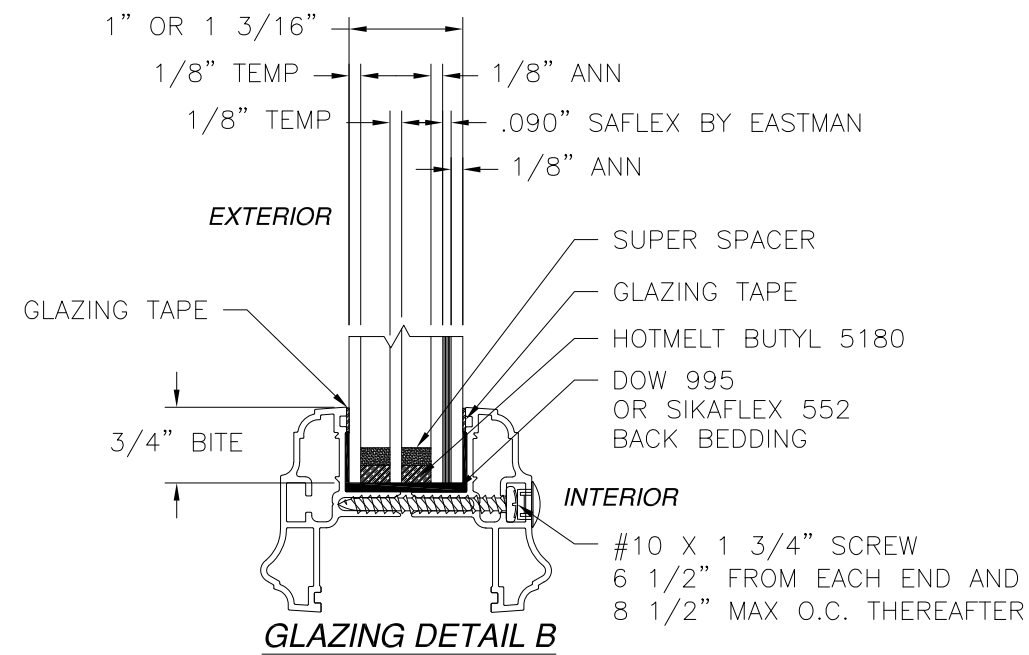
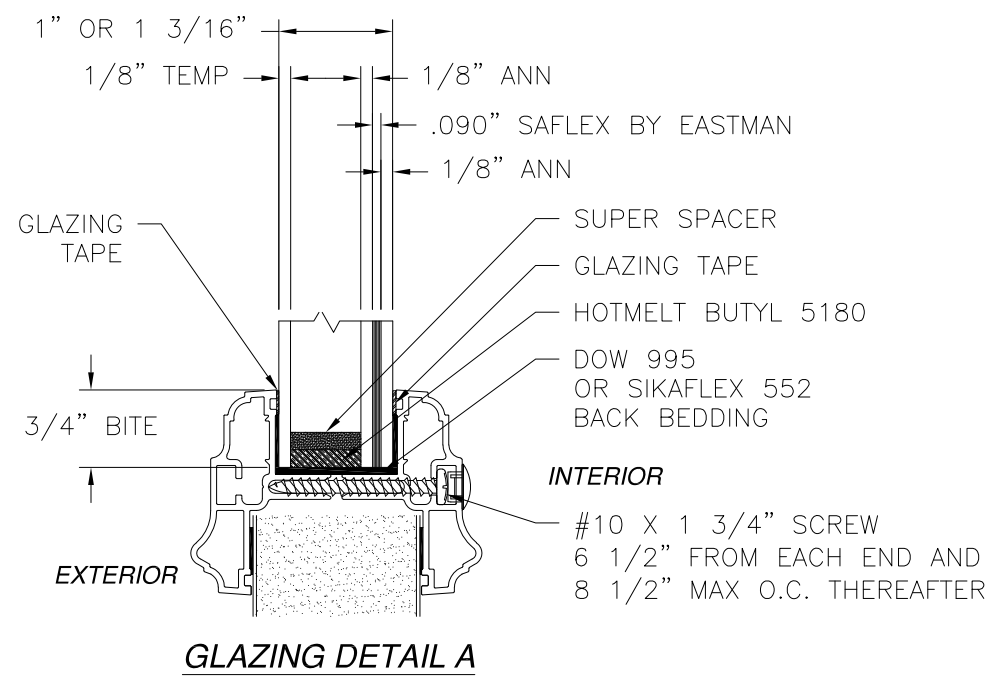
STEEL OUTSWING GLAZED DOUBLE DOOR  
WITH SIDELITES - IMPACT  
INSTALLATION DETAILS W/FUSION FRAME

DRAWN: J.L.	DWG NO. 08-02022	REV H
SCALE NTS	DATE 05/10/13	SHEET 10 OF 15

L. ROBERTO LOMAS P.E.  
1432 WOODFORD RD LEWISVILLE, NC 27023  
434-688-0609 rllomas@rlomaspe.com

Luis R. Lomas P.E.  
FL No.: 62514

REVISIONS			
REV	DESCRIPTION	DATE	APPROVED
H	ADDED MULTILITE PANELS & TRIMS	08/12/2021	R.L.



**PROVIA, LLC.**  
2150 STATE ROUTE 39 WEST  
SUGARCREEK, OH 44681

---

STEEL OUTSWING GLAZED DOUBLE DOOR  
WITH SIDELITES - IMPACT  
GLAZING DETAILS

DRAWN: J.L.	DWG NO. 08-02022	REV H
SCALE NTS	DATE 05/10/13	SHEET 11 OF 15

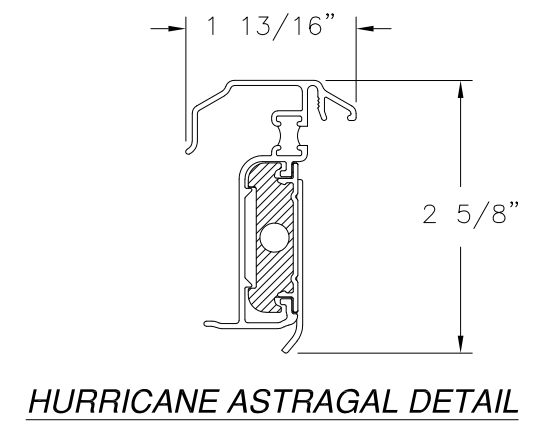
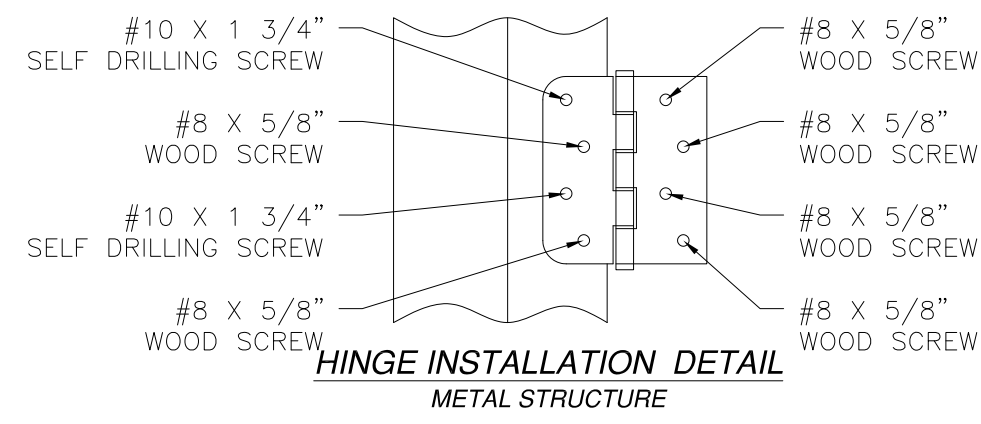
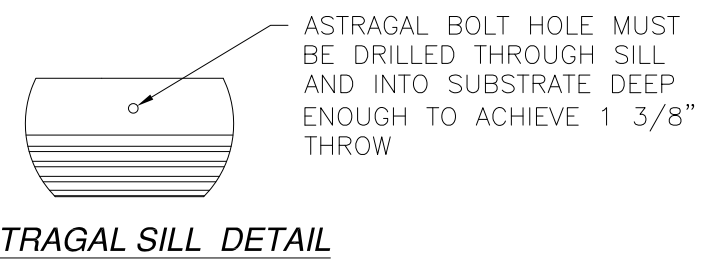
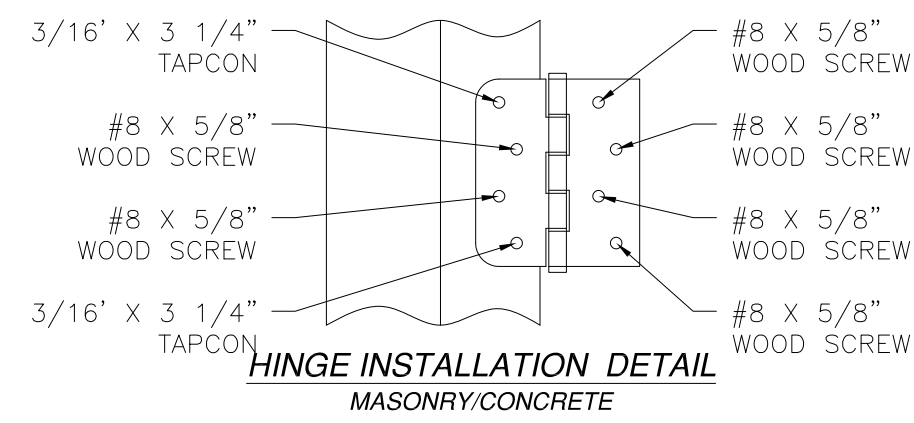
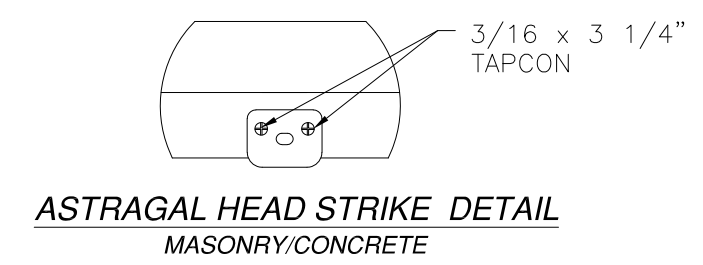
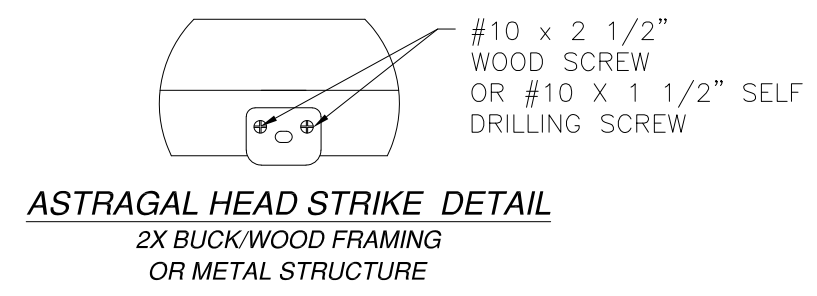
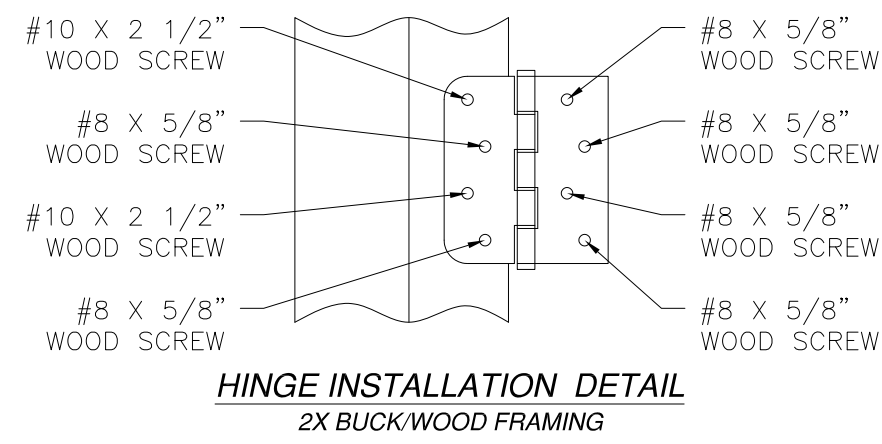
L. ROBERTO LOMAS P.E.  
1432 WOODFORD RD LEWISVILLE, NC 27023  
434-688-0609 rllomas@rlomaspe.com

SIGNED: 09/07/2021



Luis R. Lomas P.E.  
FL No.: 62514

REVISIONS			
REV	DESCRIPTION	DATE	APPROVED
H	ADDED MULTILITE PANELS & TRIMS	08/12/2021	R.L.



PROVIA, LLC.  
2150 STATE ROUTE 39 WEST  
SUGARCREEK, OH 44681

STEEL OUTSWING GLAZED DOUBLE DOOR  
WITH SIDELITES - IMPACT  
COMPONENTS DETAILS

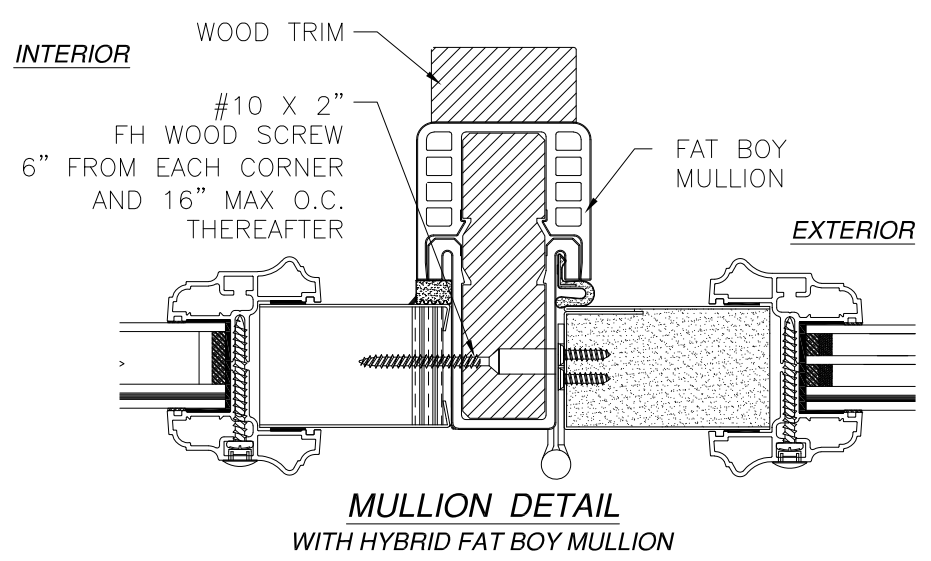
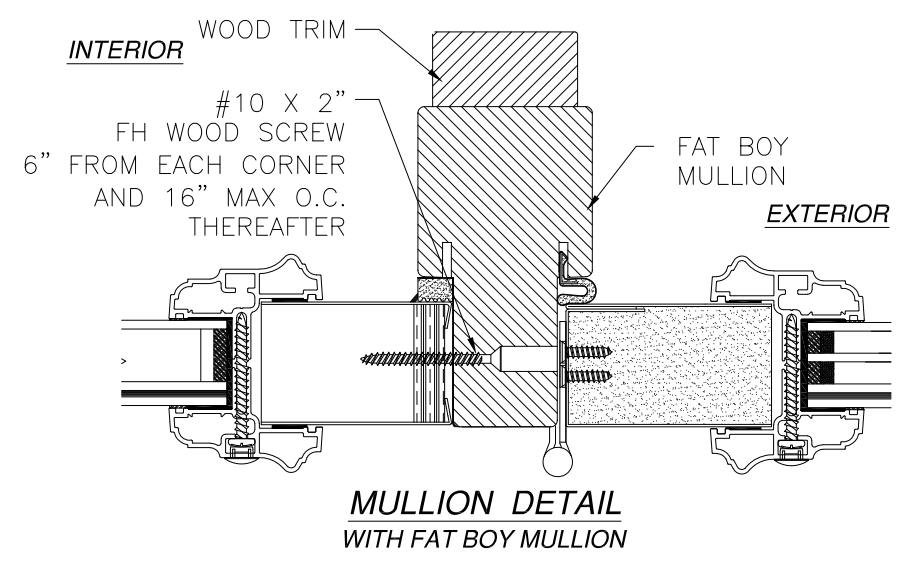
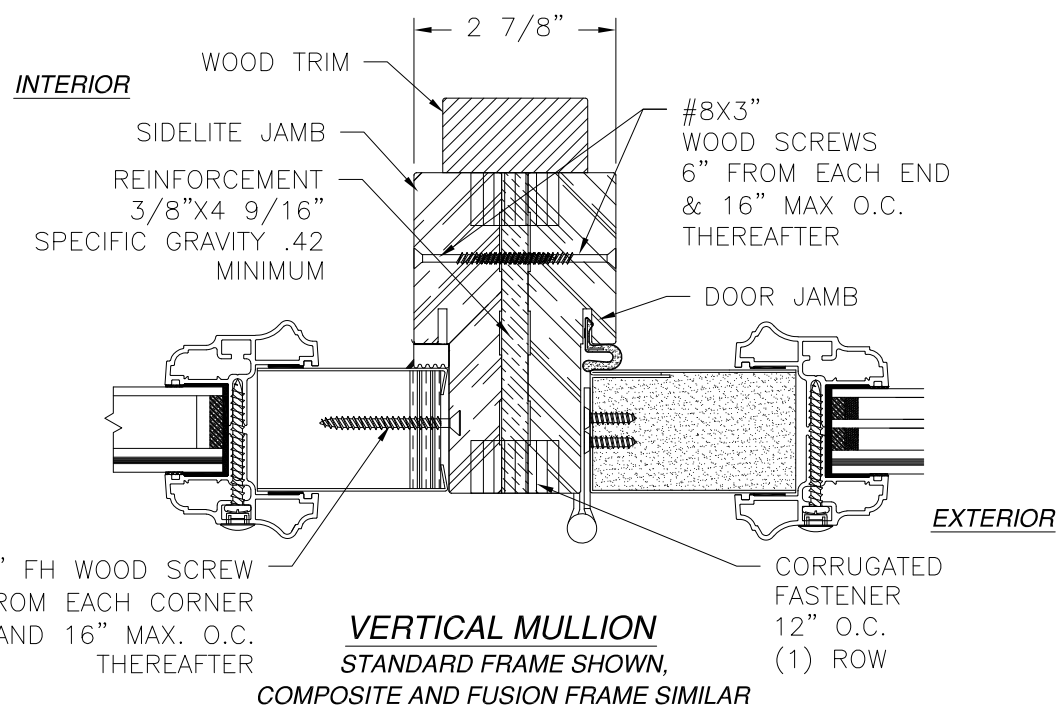
DRAWN: J.L.	DWG NO. 08-02022	REV H
SCALE NTS	DATE 05/10/13	SHEET 12 OF 15

L. ROBERTO LOMAS P.E.  
1432 WOODFORD RD LEWISVILLE, NC 27023  
434-688-0609 rllomas@rlomaspe.com

SIGNED: 09/07/2021

Luis R. Lomas P.E.  
FL No.: 62514

REVISIONS			
REV	DESCRIPTION	DATE	APPROVED
H	ADDED MULTILITE PANELS & TRIMS	08/12/2021	R.L.



SIGNED: 09/07/2021

PROVIA, LLC.  
2150 STATE ROUTE 39 WEST  
SUGARCREEK, OH 44681

STEEL OUTSWING GLAZED DOUBLE DOOR  
WITH SIDELITES - IMPACT  
MULLION DETAILS

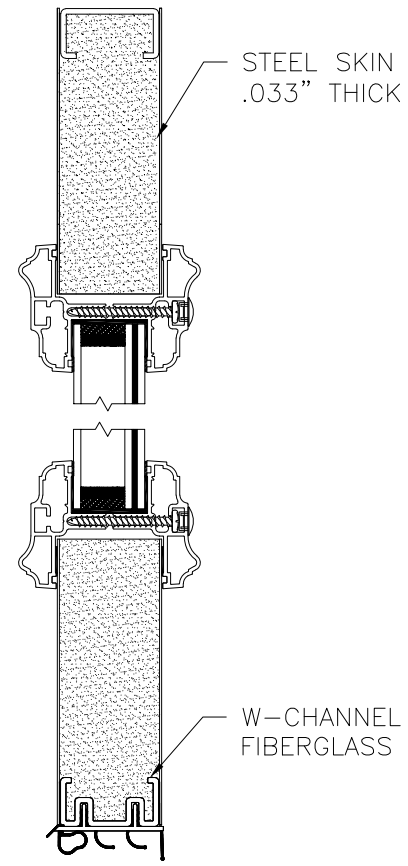
DRAWN: J.L.	DWG NO. 08-02022	REV H
SCALE NTS	DATE 05/10/13	SHEET 13 OF 15

L. ROBERTO LOMAS P.E.  
1432 WOODFORD RD LEWISVILLE, NC 27023  
434-688-0609 rllomas@rlomaspe.com

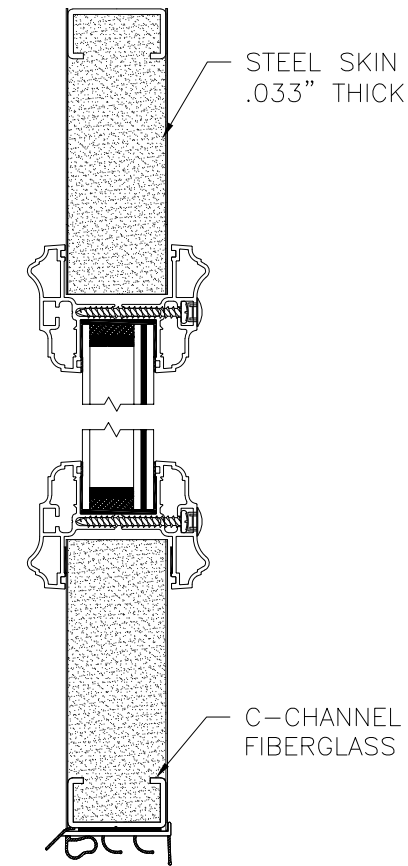
Luis R. Lomas P.E.  
FL No.: 62514

# APPROVED SLABS AND TRIMS

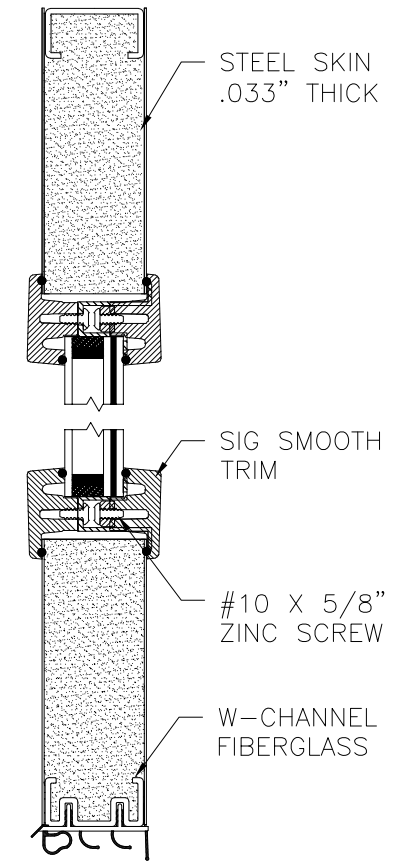
REVISIONS			
REV	DESCRIPTION	DATE	APPROVED
H	ADDED MULTILITE PANELS & TRIMS	08/12/2021	R.L.



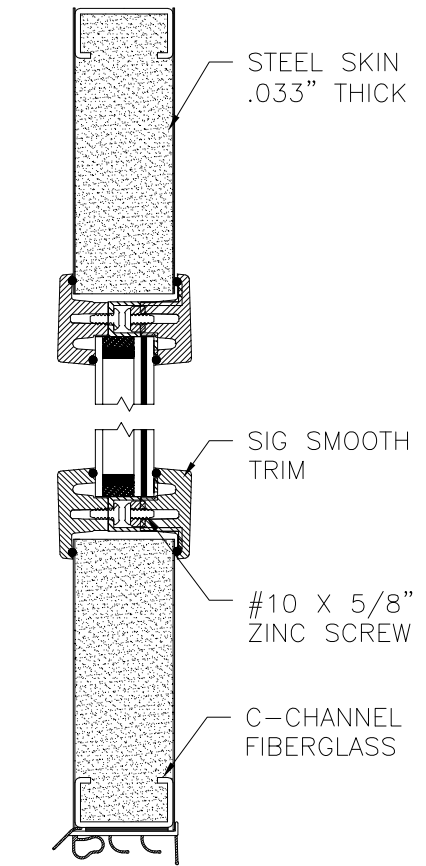
PANEL OPTION 1



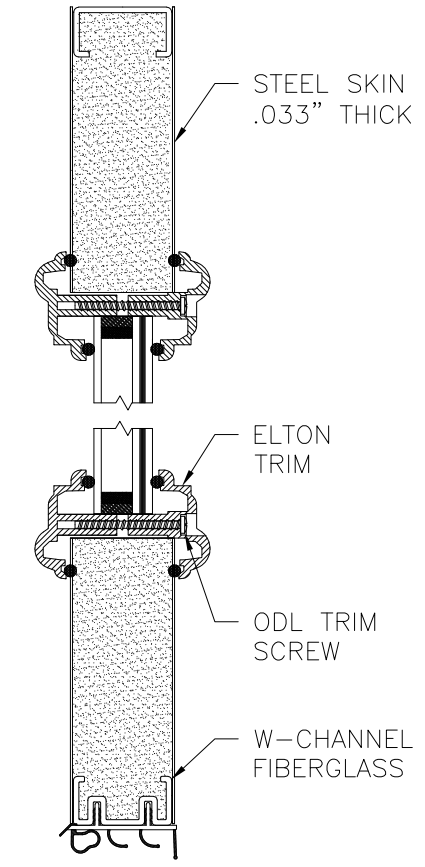
PANEL OPTION 2



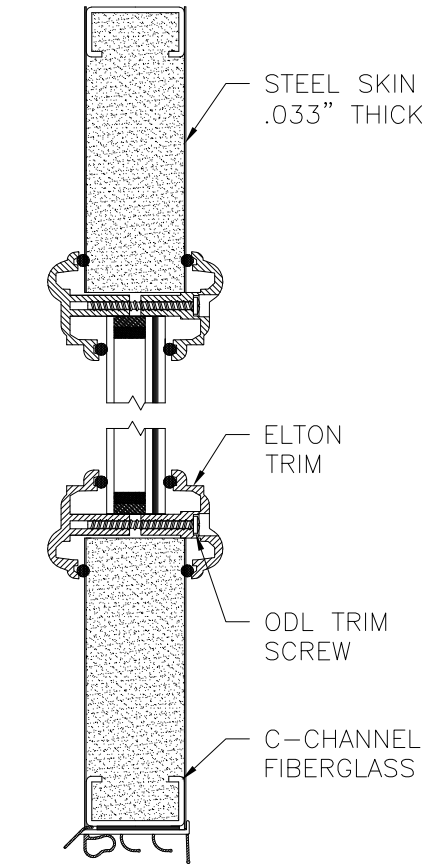
PANEL OPTION 3



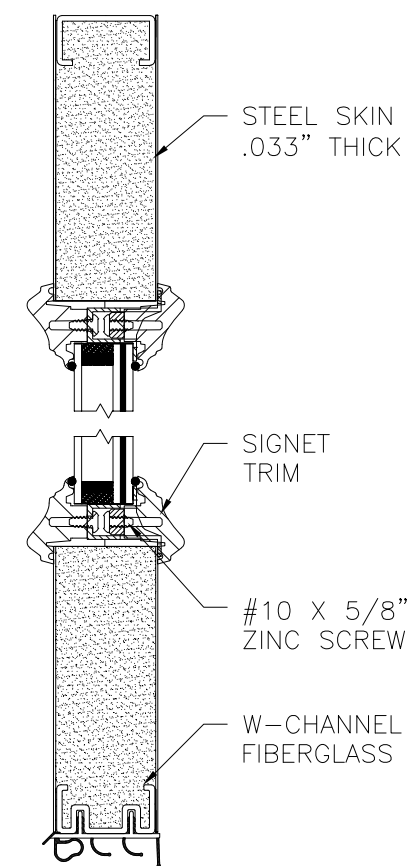
PANEL OPTION 4



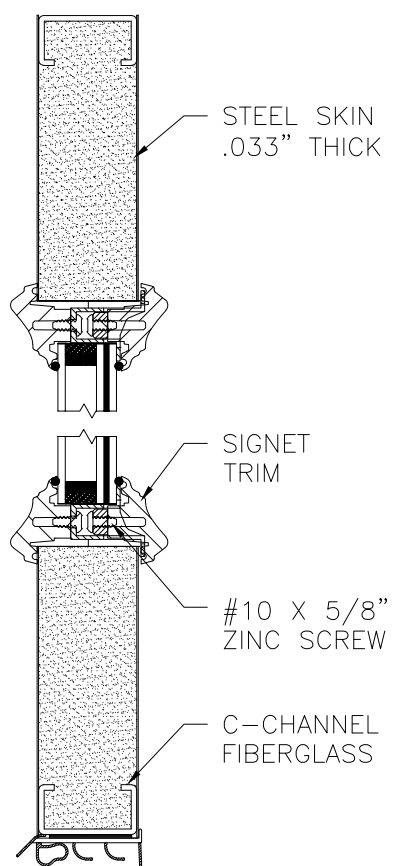
PANEL OPTION 9



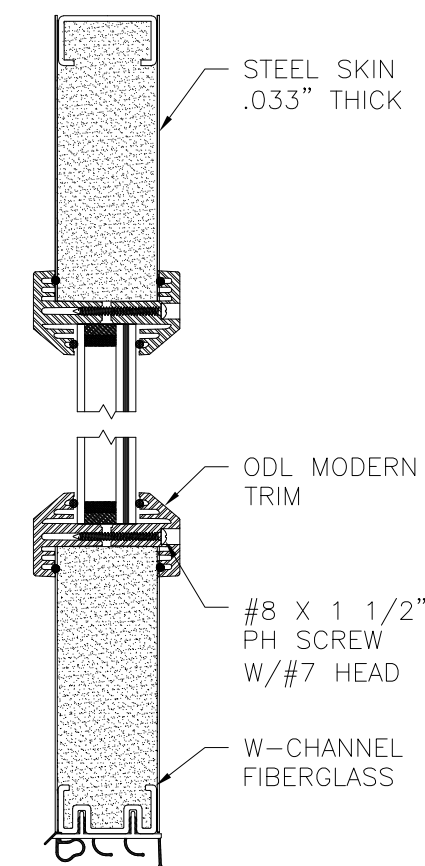
PANEL OPTION 10



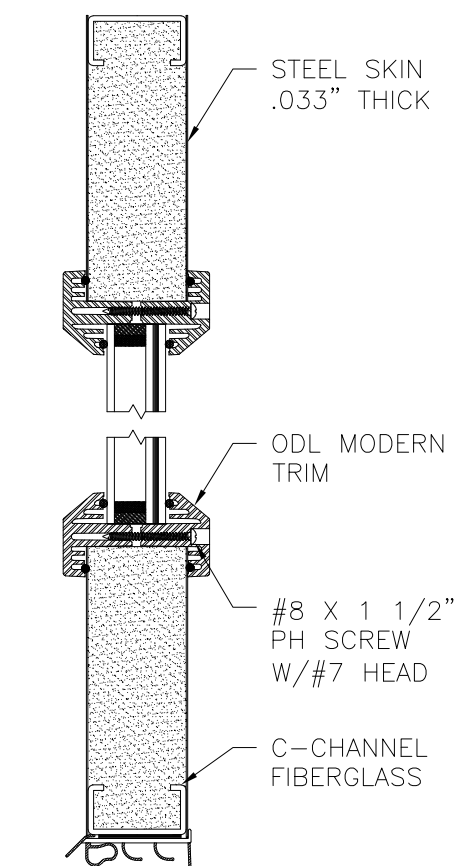
PANEL OPTION 5



PANEL OPTION 6



PANEL OPTION 7



PANEL OPTION 8

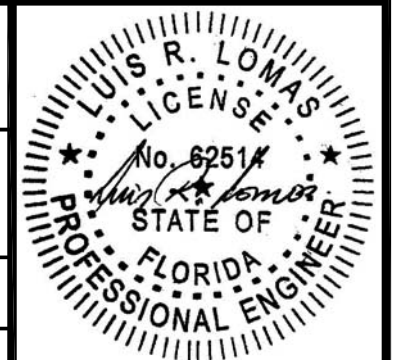
PROVIA, LLC.  
 2150 STATE ROUTE 39 WEST  
 SUGARCREEK, OH 44681

STEEL OUTSWING GLAZED DOUBLE DOOR  
 WITH SIDELITES - IMPACT  
 MULLION DETAILS

DRAWN: J.L.	DWG NO. 08-02022	REV H
SCALE NTS	DATE 05/10/13	SHEET 14 OF 15

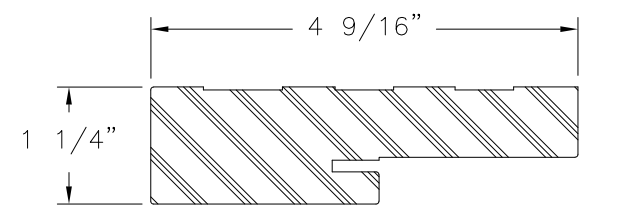
L. ROBERTO LOMAS P.E.  
 1432 WOODFORD RD LEWISVILLE, NC 27023  
 434-688-0609 rllomas@rlomaspe.com

SIGNED: 09/07/2021

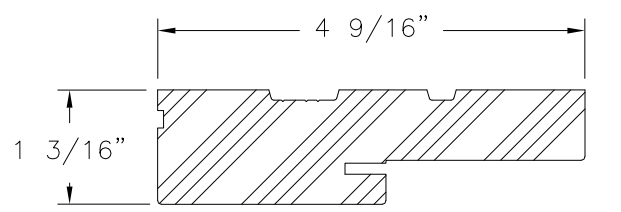


Luis R. Lomas P.E.  
 FL No.: 62514

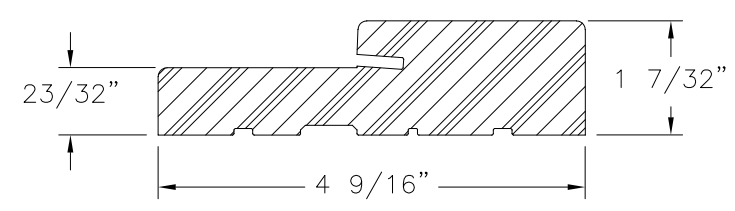
REVISIONS			
REV	DESCRIPTION	DATE	APPROVED
H	ADDED MULTILITE PANELS & TRIMS	08/12/2021	R.L.



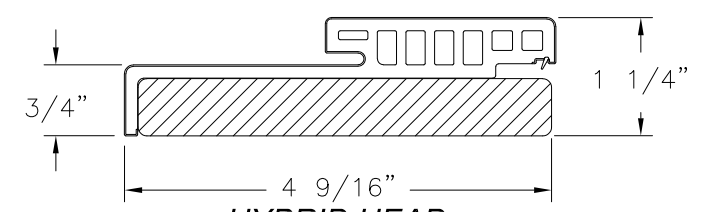
**COMPOSITE FRAME PROFILE**



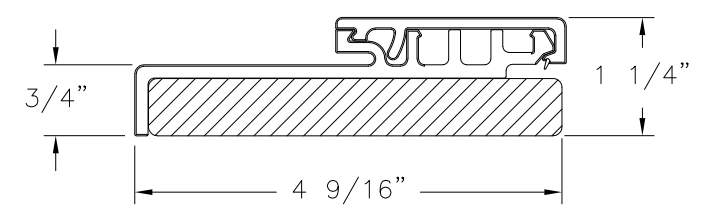
**WOOD FRAME PROFILE**



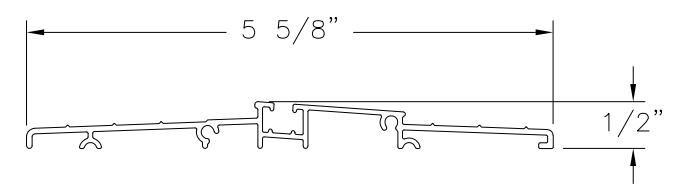
**FRAMESAVER COMPOSITE**



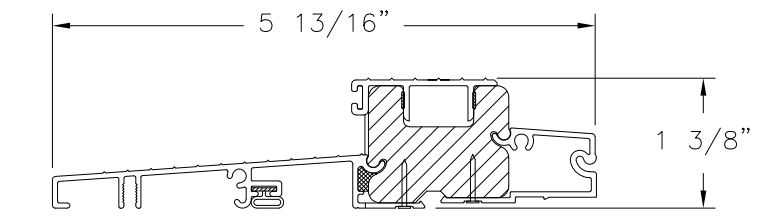
**HYBRID HEAD WOOD/COMPOSITE**



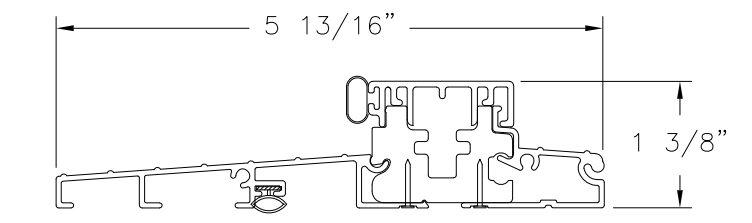
**HYBRID JAMB WOOD/COMPOSITE**



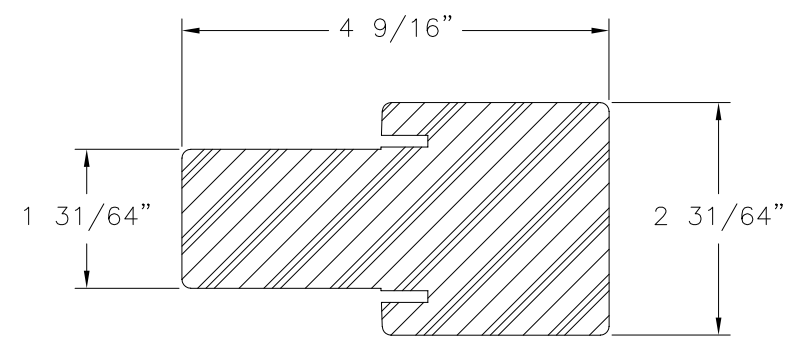
**ADA THRESHOLD**



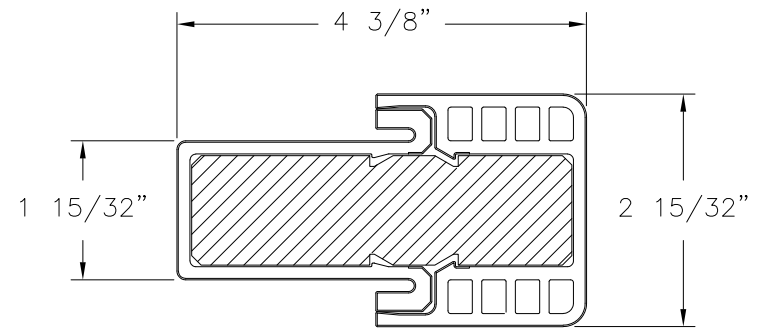
**SAHARA OUTSWING THRESHOLD**



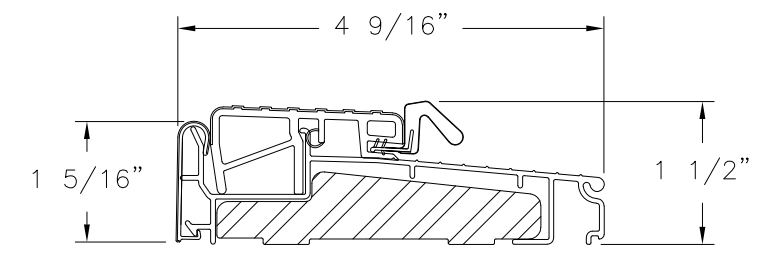
**STANDARD OUTSWING THRESHOLD**



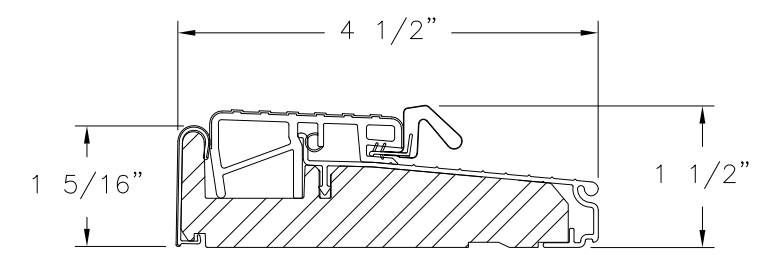
**FAT BOY MULLION COMPOSITE**



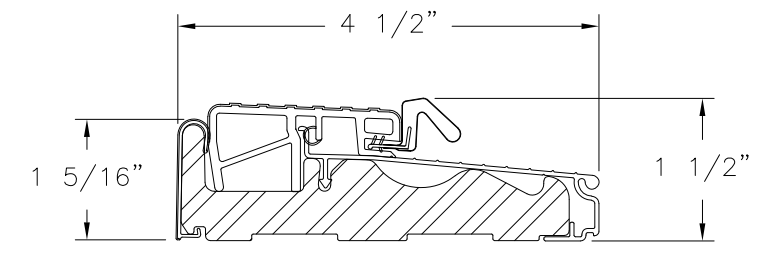
**HYBRID FAT BOY MULLION COMPOSITE**



**OUTSWING SILL ZOBL4565**



**OUTSWING SILL ZOB4565F**



**OUTSWING SILL ZOBLH4565**

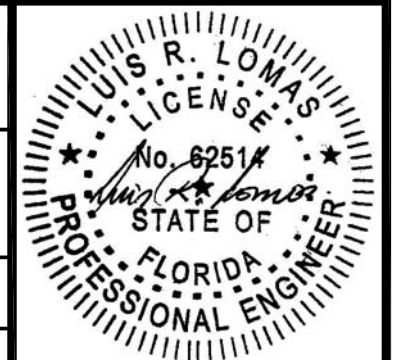
PROVIA, LLC.  
2150 STATE ROUTE 39 WEST  
SUGARCREEK, OH 44681

STEEL OUTSWING GLAZED DOUBLE DOOR  
WITH SIDELITES - IMPACT  
COMPONENTS

DRAWN: J.L.	DWG NO. 08-02022	REV H
SCALE NTS	DATE 05/10/13	SHEET 15 OF 15

L. ROBERTO LOMAS P.E.  
1432 WOODFORD RD LEWISVILLE, NC 27023  
434-688-0609 rllomas@rlomaspe.com

SIGNED: 09/07/2021



Luis R. Lomas P.E.  
FL No.: 62514