

REVISIONS			
REV	DESCRIPTION	DATE	APPROVED
H	ADDED TRIMS & 5180 HOT MELT BUTYL	08/24/2021	R.L.

NOTES:


1. THE PRODUCT SHOWN HEREIN IS DESIGNED AND MANUFACTURED TO COMPLY WITH REQUIREMENTS OF THE FLORIDA BUILDING CODE.
2. WOOD FRAMING, METAL STRUCTURE AND MASONRY OPENING TO BE DESIGNED AND ANCHORED TO PROPERLY TRANSFER ALL LOADS TO STRUCTURE. FRAMING AND MASONRY OPENING IS THE RESPONSIBILITY OF THE ARCHITECT OR ENGINEER OF RECORD.
3. 1X BUCK OVER MASONRY/CONCRETE IS OPTIONAL. WHERE 1X BUCK IS NOT USED DISSIMILAR MATERIALS MUST BE SEPARATED WITH APPROVED COATING OR MEMBRANE. SELECTION OF COATING OR MEMBRANE IS THE RESPONSIBILITY OF THE ARCHITECT OR ENGINEER OF RECORD.
4. ALLOWABLE STRESS INCREASE OF 1/3 WAS NOT USED IN THE DESIGN OF THE PRODUCT SHOWN HEREIN. WIND LOAD DURATION FACTOR Cd=1.6 WAS USED FOR WOOD ANCHOR CALCULATIONS.
5. FRAME MATERIAL: WOOD WITH G=.46 MINIMUM SPECIFIC GRAVITY, OR COMPOSITE, OR FRAMESAVER, OR FUSION FRAME.
DOOR SKIN MATERIAL: STEEL .033" THICK (MINIMUM), FIBERGLASS .085" THICK (MINIMUM)
SIDELITE SKIN MATERIAL: STEEL .022" THICK (MINIMUM)
6. SIDELITES MUST BE GLAZED PER ASTM E1300, SEE SHEET 10 FOR GLASS DETAILS.
7. APPROVED IMPACT PROTECTIVE SYSTEM IS NOT REQUIRED FOR THIS PRODUCT IN WIND BORNE DEBRIS REGIONS UP TO WIND ZONE 3.
8. SHIM AS REQUIRED AT EACH INSTALLATION ANCHOR WITH LOAD BEARING SHIM. SHIM WHERE SPACE OF 1/16" OR GREATER OCCURS. MAXIMUM ALLOWABLE SHIM STACK TO BE 1/4".
9. FOR ANCHORING INTO WOOD FRAMING OR 2X BUCK USE #10 WOOD SCREWS WITH SUFFICIENT LENGTH TO ACHIEVE A 1 3/8" MINIMUM EMBEDMENT INTO SUBSTRATE. LOCATE ANCHORS AS SHOWN IN ELEVATIONS AND INSTALLATION DETAILS.
10. FOR ANCHORING INTO MASONRY/CONCRETE USE 3/16" TAPCONS WITH SUFFICIENT LENGTH TO ACHIEVE A 1 3/4" MINIMUM EMBEDMENT INTO SUBSTRATE WITH 2" MINIMUM EDGE DISTANCE. LOCATE ANCHORS AS SHOWN IN ELEVATIONS AND INSTALLATION DETAILS.
11. FOR ANCHORING INTO METAL STRUCTURE USE #10 SMS OR SELF DRILLING SCREWS WITH SUFFICIENT LENGTH TO ACHIEVE 3 THREADS MINIMUM BEYOND STRUCTURE INTERIOR WALL. LOCATE ANCHORS AS SHOWN IN ELEVATIONS AND INSTALLATION DETAILS.

12. ALL FASTENERS TO BE CORROSION RESISTANT.
13. INSTALLATION ANCHORS SHALL BE INSTALLED IN ACCORDANCE WITH ANCHOR MANUFACTURER'S INSTALLATION INSTRUCTIONS AND ANCHORS SHALL NOT BE USED IN SUBSTRATES WITH STRENGTHS LESS THAN THE MINIMUM STRENGTH SPECIFIED BELOW:
 - A. WOOD – MINIMUM SPECIFIC GRAVITY OF G=0.42
 - B. CONCRETE – MINIMUM COMPRESSIVE STRENGTH OF 3,192 PSI.
 - C. MASONRY – GROUT FILLED STRENGTH CONFORMANCE TO ASTM C-90, GRADE N, TYPE 1 (OR GREATER).
 - D. METAL STRUCTURE: STEEL 18GA, 33KSI OR ALUMINUM 6063-T5 .048" THICK MINIMUM
14. DOOR CONSTRUCTION MAYBE CONTINUOUS HEAD FRAME AND CONTINUOUS THRESHOLD OR BOX CONSTRUCTION.

SIGNED: 09/08/2021

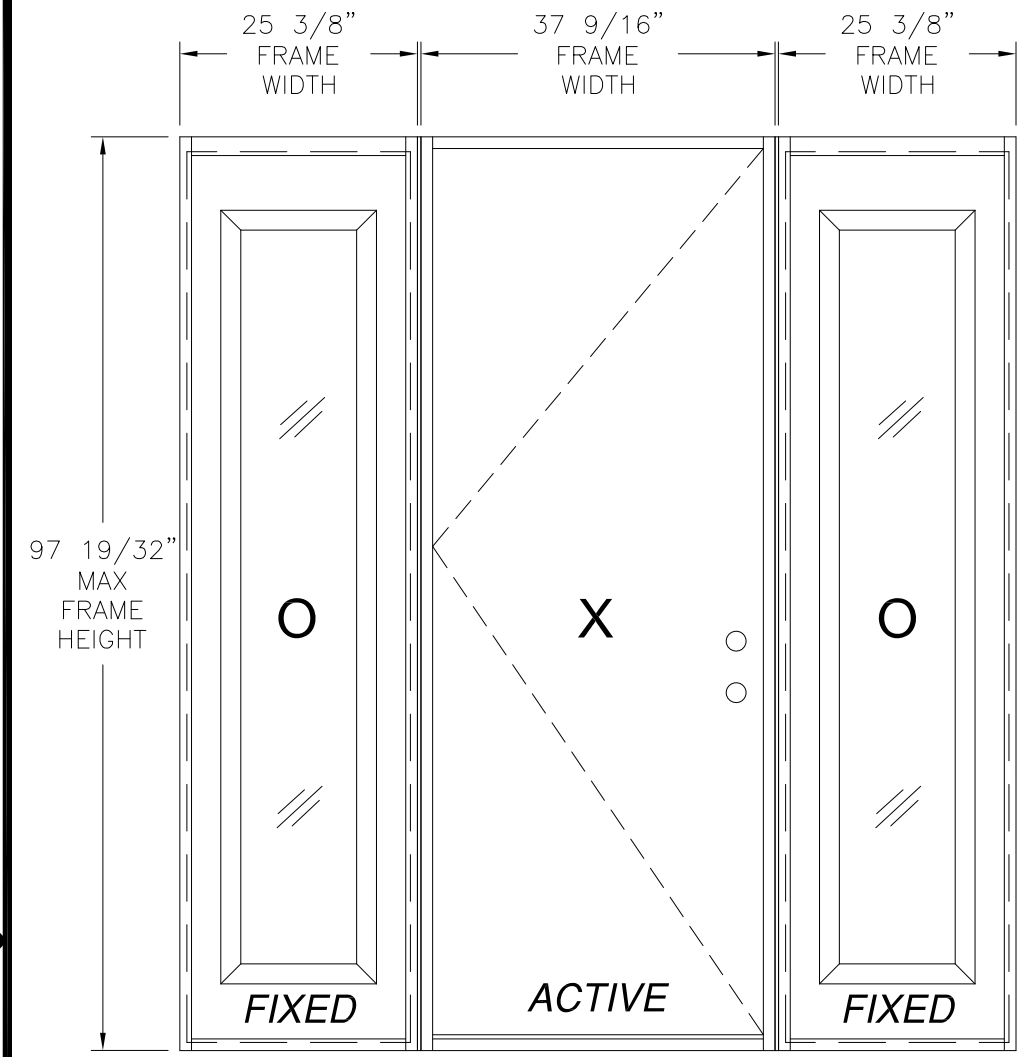
TABLE OF CONTENTS	
SHEET NO.	DESCRIPTION
1	NOTES
2	ELEVATIONS AND APPROVED CONFIGURATIONS
3	ANCHORING LAYOUTS
4 – 9	INSTALLATION DETAILS
10	GLAZING DETAILS
11 – 15	COMPONENTS AND MULLION DETAILS

PROVIA, LLC. 2150 STATE ROUTE 39 WEST SUGARCREEK, OH 44681		
STEEL/FIBERGLASS INSWING OPAQUE SINGLE DOOR W/SIDELITES – IMPACT NOTES		
DRAWN: N.G.	DWG NO. 08-02035	REV H
SCALE NTS	DATE 05/21/13	SHEET 1 OF 15
L. ROBERTO LOMAS P.E. 1432 WOODFORD RD LEWISVILLE, NC 27023 434-688-0609 rllomas@rlomaspe.com		



Luis R. Lomas P.E.
FL No.: 62514

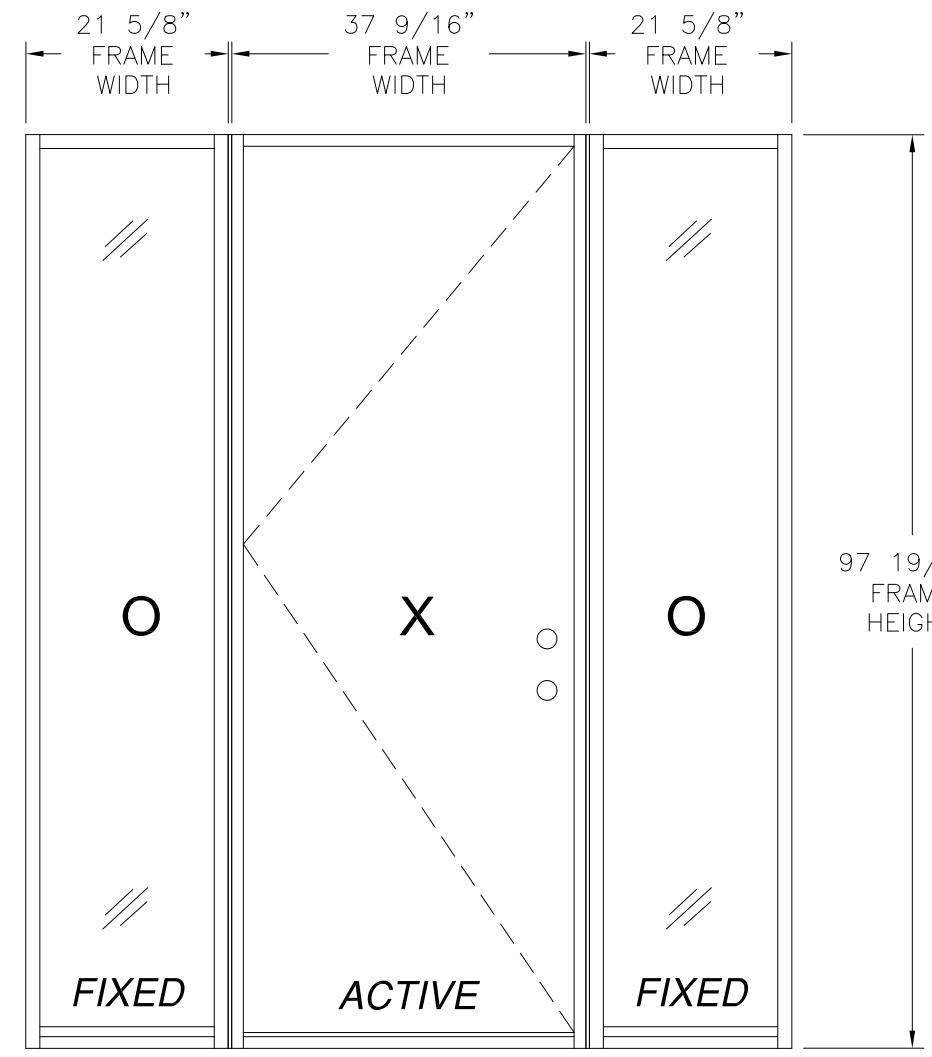
REVISIONS			
REV	DESCRIPTION	DATE	APPROVED
H	ADDED TRIMS & 5180 HOT MELT BUTYL	08/24/2021	R.L.



3/8" MULLION MINIMUM SEE NOTES 1 AND 2 THIS SHEET AND DETAIL SHEET 14

3/8" MULLION MINIMUM SEE NOTES 1 AND 2 THIS SHEET AND DETAIL SHEET 14

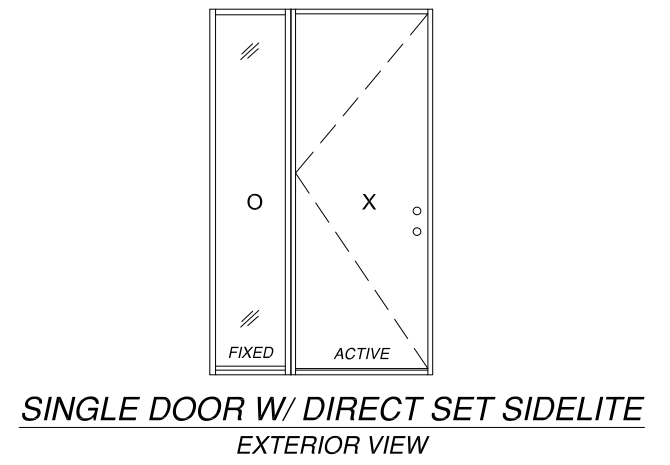
SINGLE DOOR W/ STD SIDELITES
EXTERIOR VIEW



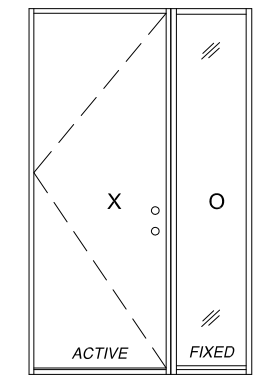
3/8" MULLION MINIMUM SEE NOTES 1 AND 2 THIS SHEET AND DETAIL SHEET 14

3/8" MULLION MINIMUM SEE NOTES 1 AND 2 THIS SHEET AND DETAIL SHEET 14

SINGLE DOOR W/ DIRECT SET SIDELITES
EXTERIOR VIEW



SINGLE DOOR W/ DIRECT SET SIDELITE
EXTERIOR VIEW



SINGLE DOOR W/ DIRECT SET SIDELITE
EXTERIOR VIEW

DESIGN PRESSURE RATING	IMPACT RATING
±55.0PSF	LARGE MISSILE IMPACT

MISSILE LEVEL D, WIND ZONE 3

35 3/4" x 94 15/16" PANEL SIZE SHOWN. OTHER SIZES ARE APPROVED AS LONG AS INDIVIDUAL PANEL AREA DOES NOT EXCEED 23.56 FT²

- NOTES:
1. MAXIMUM VERTICAL MULLION BUILD UP 7".
 2. IF SIDELITE WIDTH IS 16" OR LESS NO VERTICAL MULLION IS REQUIRED.

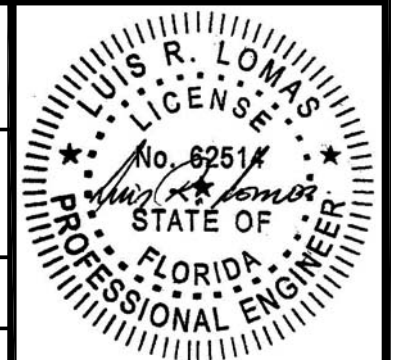
SIGNED: 09/08/2021

PROVIA, LLC.
2150 STATE ROUTE 39 WEST
SUGARCREEK, OH 44681

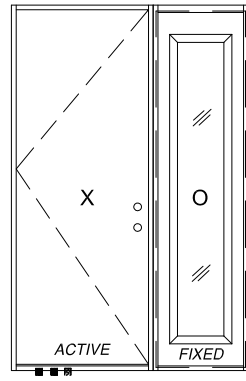
STEEL/FIBERGLASS INSWING OPAQUE SINGLE DOOR W/SIDELITES - IMPACT
ELEVATION AND APPROVED CONFIGURATIONS

DRAWN: N.G.	DWG NO. 08-02035	REV H
SCALE NTS	DATE 05/21/13	SHEET 2 OF 15

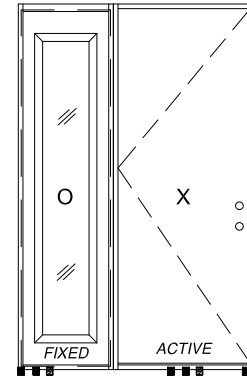
L. ROBERTO LOMAS P.E.
1432 WOODFORD RD LEWISVILLE, NC 27023
434-688-0609 rllomas@rlomaspe.com



Luis R. Lomas P.E.
FL No.: 62514

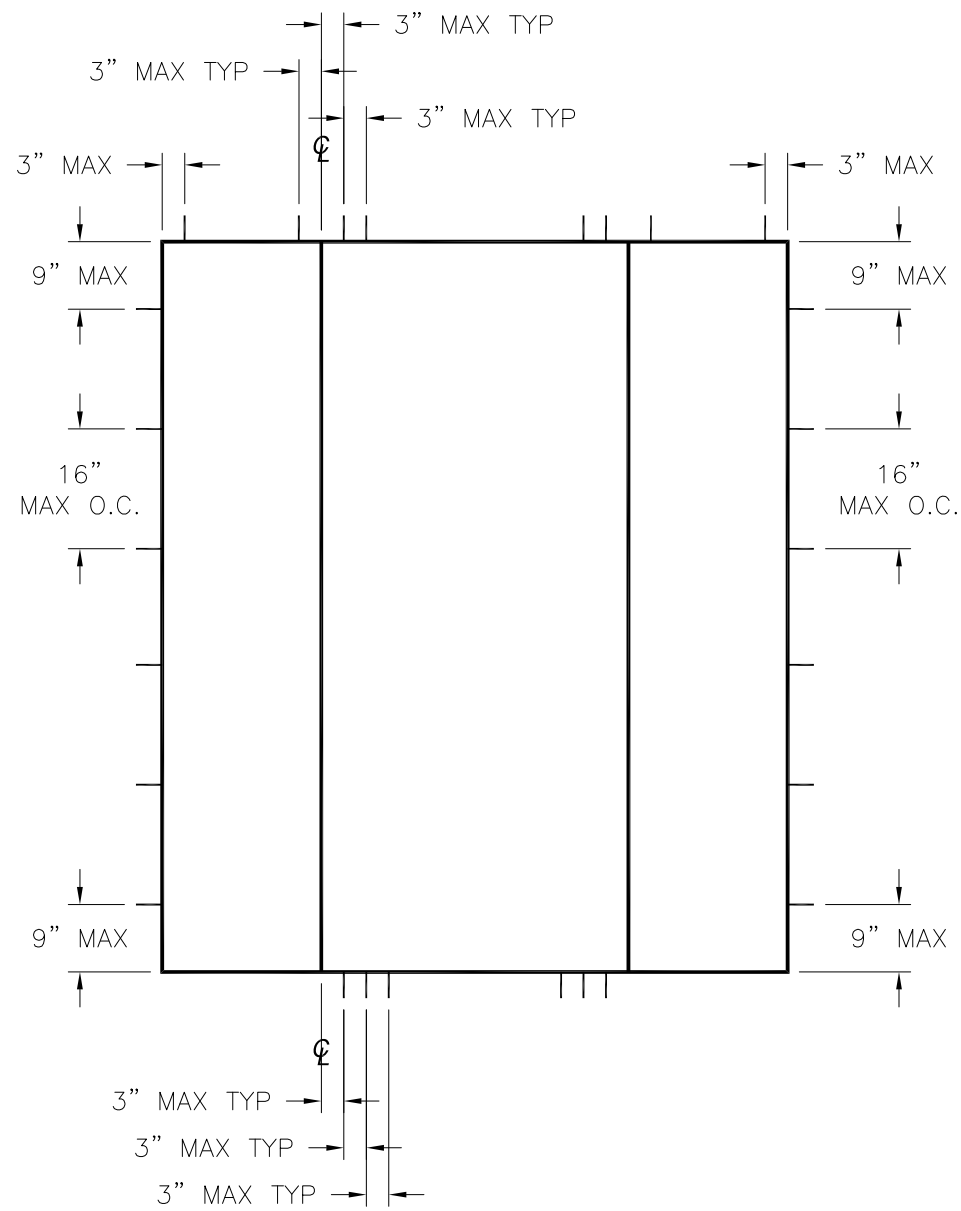


SINGLE DOOR W/ STD SIDELITE
EXTERIOR VIEW

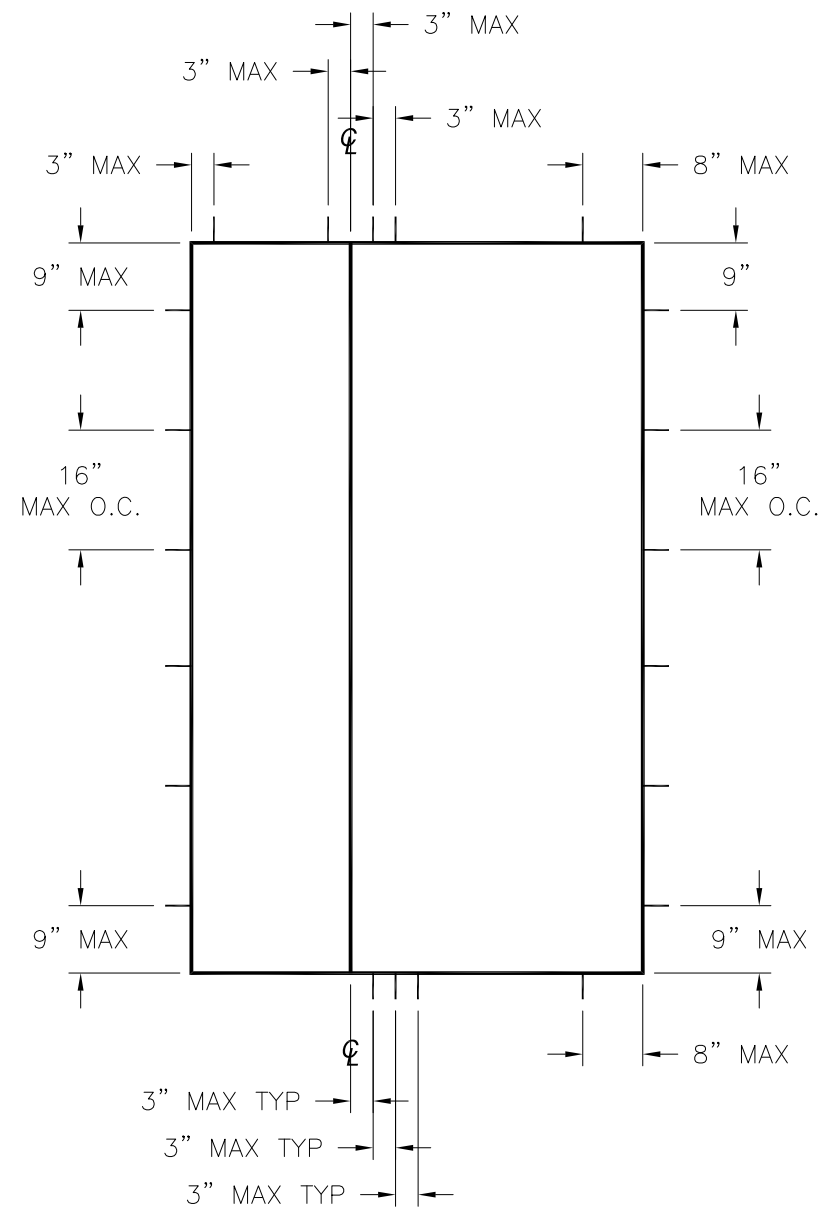


SINGLE DOOR W/ STD SIDELITE
EXTERIOR VIEW

REVISIONS			
REV	DESCRIPTION	DATE	APPROVED
H	ADDED TRIMS & 5180 HOT MELT BUTYL	08/24/2021	R.L.



SINGLE W/SIDELITES



SINGLE W/SIDELITE

HARDWARE SCHEDULE	
A.	F-SERIES LOCK ASSEMBLY DOOR KNOB BY SCHLAGE.
B.	B-SERIES DEADBOLT ASSEMBLY BY SCHLAGE.
C.	F-SERIES DEADBOLT ASSEMBLY BY SCHLAGE.
D.	RESIDENTIAL GRADE DOOR HANDLE ASSEMBLY BY EMTEK (ALTERNATE).
E.	MULTI-POINT LOCK HANDLE ASSEMBLY BY TRILENNIUM (ALTERNATE).
F.	(3) 4" x 4" BALL BEARING HINGES BY PENROD.
G.	(3) 4" x 4" SPRING BOMMER HINGES BY PENROD. (ALTERNATE)

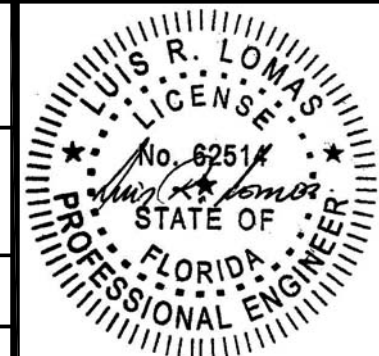
PROVIA, LLC.
2150 STATE ROUTE 39 WEST
SUGARCREEK, OH 44681

STEEL/FIBERGLASS INSWING OPAQUE SINGLE DOOR
W/SIDELITES – IMPACT
ANCHORING LAYOUTS

DRAWN: N.G.	DWG NO. 08-02035	REV H
SCALE NTS	DATE 05/21/13	SHEET 3 OF 15

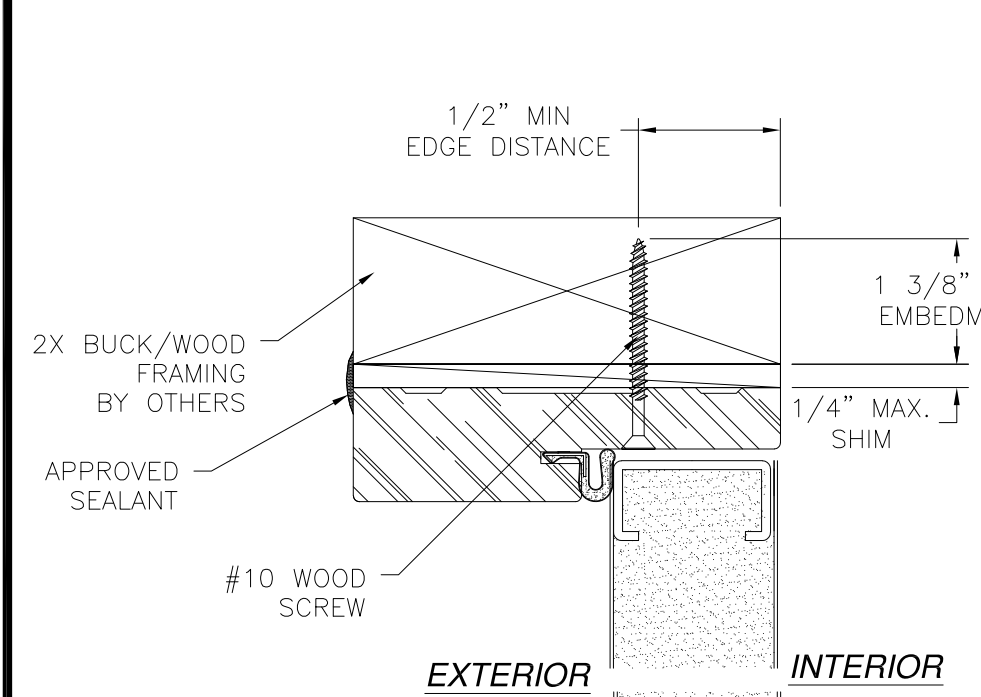
L. ROBERTO LOMAS P.E.
1432 WOODFORD RD LEWISVILLE, NC 27023
434-688-0609 rllomas@rlomaspe.com

SIGNED: 09/08/2021

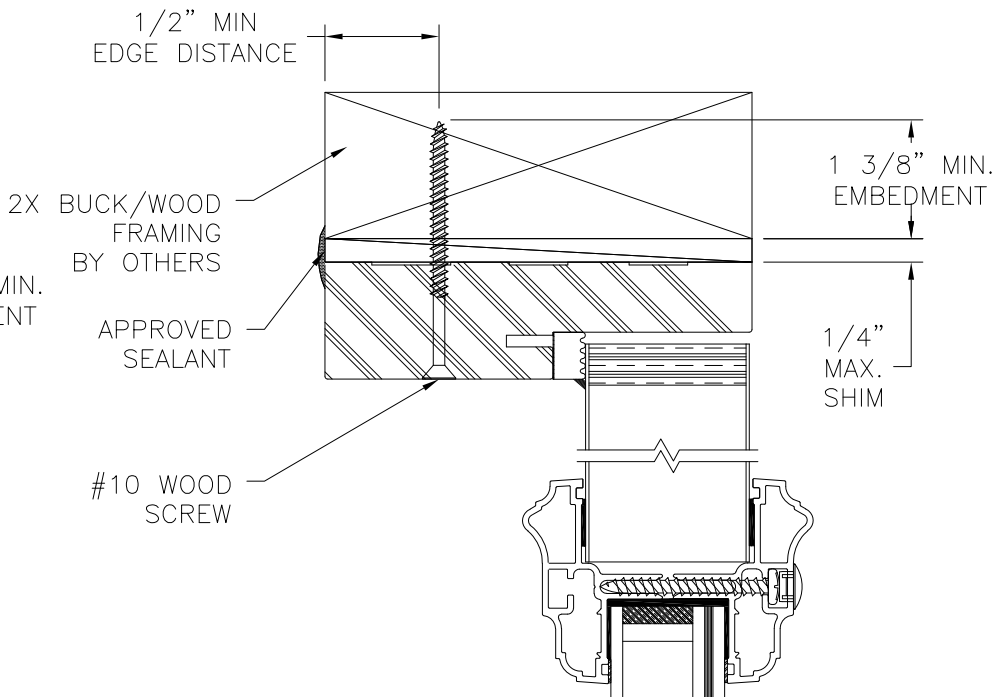


Luis R. Lomas P.E.
FL No.: 62514

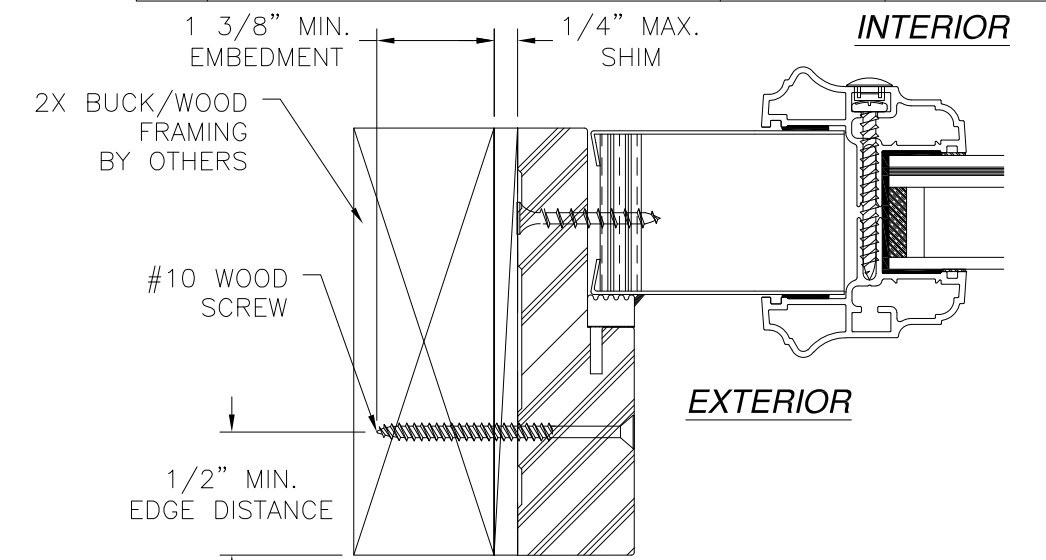
REVISIONS			
REV	DESCRIPTION	DATE	APPROVED
H	ADDED TRIMS & 5180 HOT MELT BUTYL	08/24/2021	R.L.



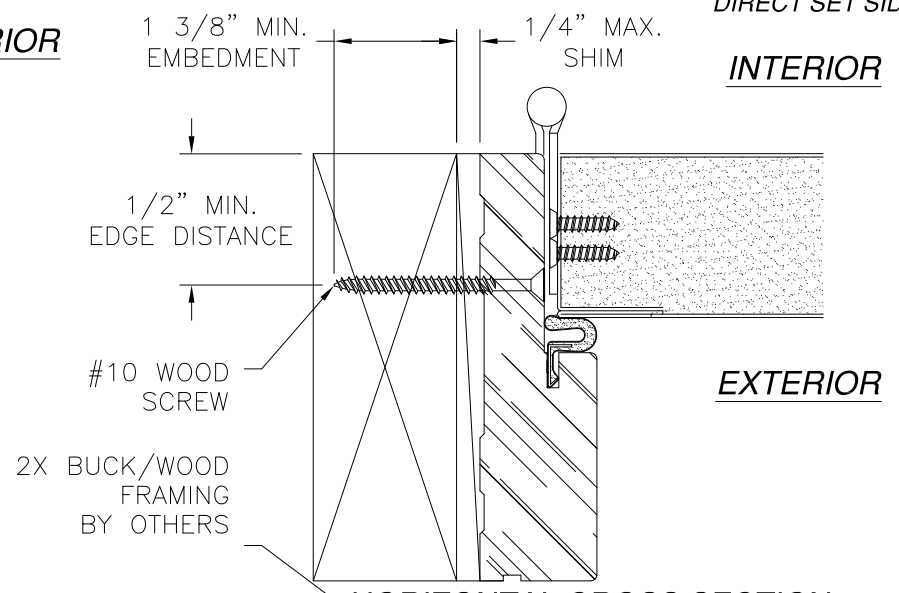
VERTICAL CROSS SECTION
DOOR INSTALLATION - 2X BUCK/WOOD FRAMING



VERTICAL CROSS SECTION
SIDELITE INSTALLATION 2X BUCK/WOOD FRAMING
STANDARD SIDELITE SHOWN
DIRECT SET SIDELITE SIMILAR



HORIZONTAL CROSS SECTION
SIDELITE INSTALLATION 2X BUCK/WOOD FRAMING
STANDARD SIDELITE SHOWN
DIRECT SET SIDELITE SIMILAR



HORIZONTAL CROSS SECTION
DOOR INSTALLATION - 2X BUCK/WOOD FRAMING

SIGNED: 09/08/2021

- NOTES:**
1. INTERIOR AND EXTERIOR FINISHES, BY OTHERS, NOT SHOWN FOR CLARITY.
 2. PERIMETER AND JOINT SEALANT BY OTHERS TO BE DESIGNED IN ACCORDANCE WITH ASTM E2112

PROVIA, LLC.
2150 STATE ROUTE 39 WEST
SUGARCREEK, OH 44681

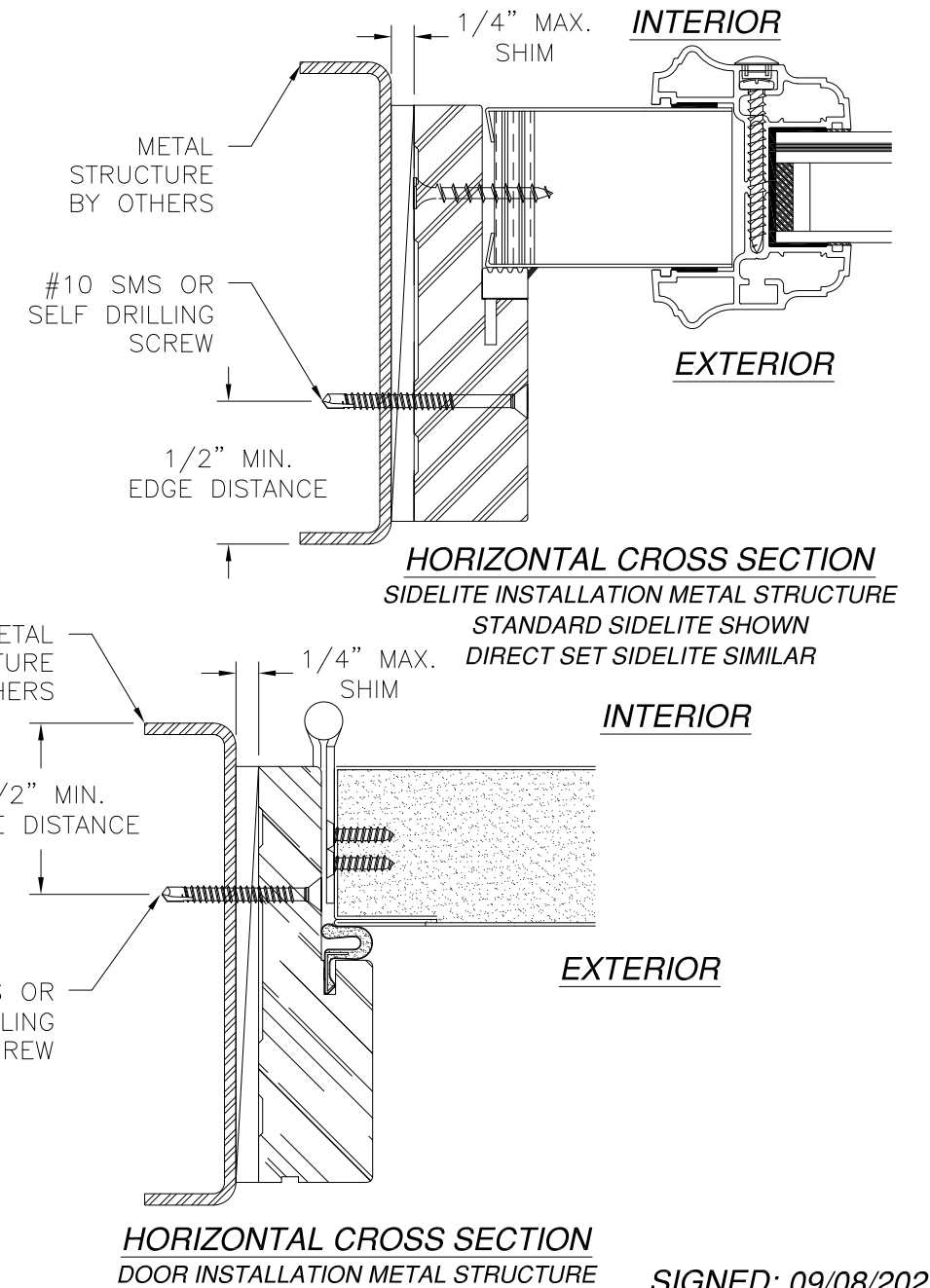
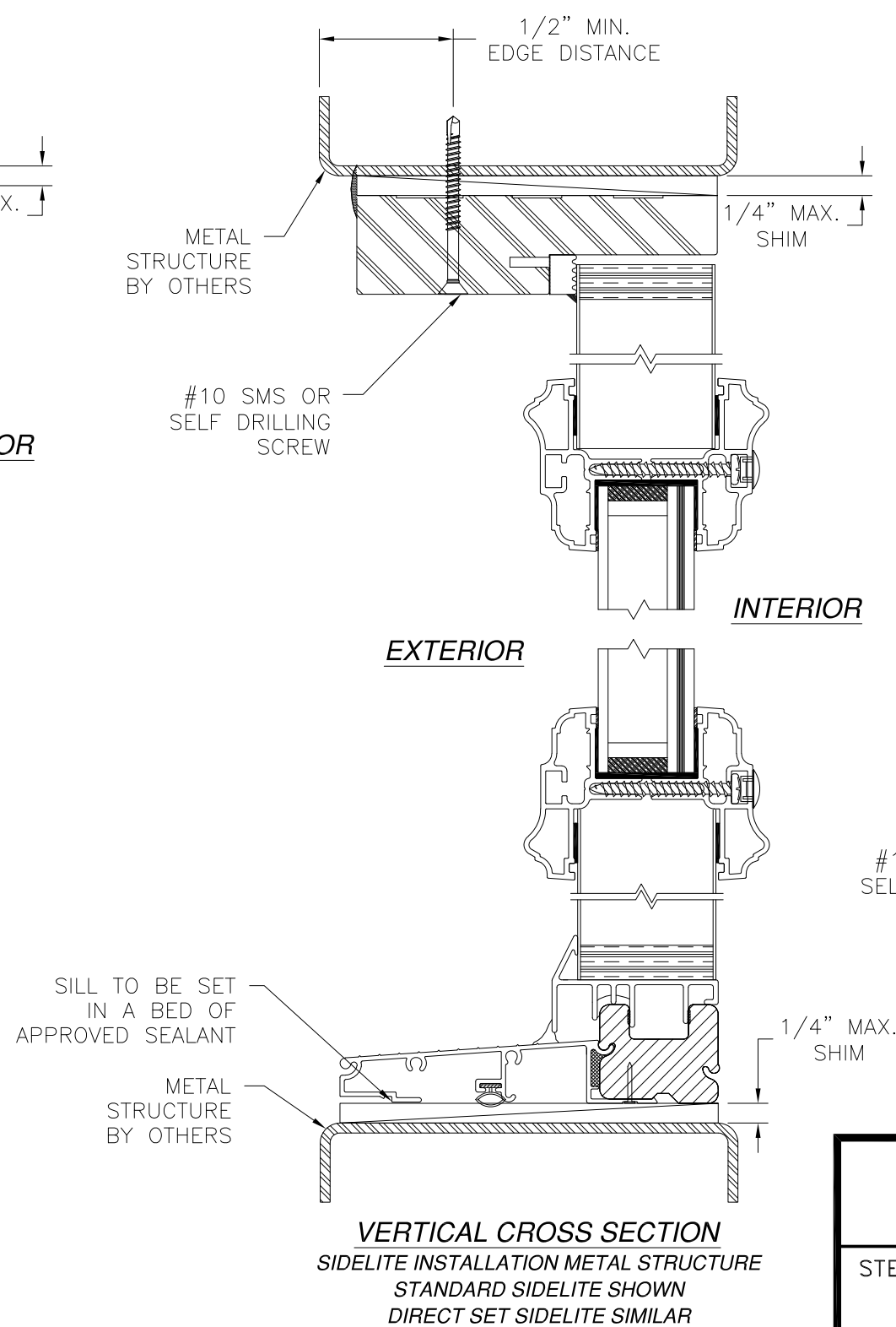
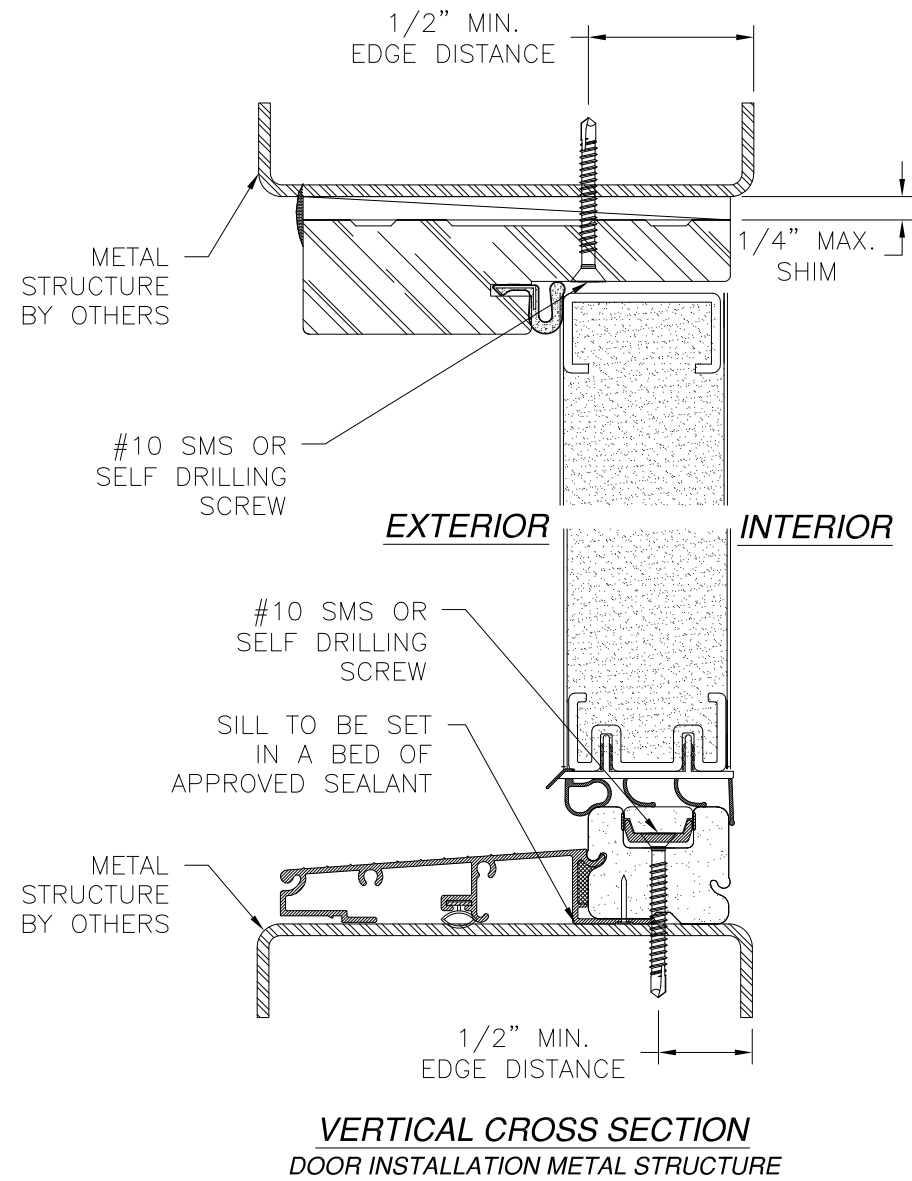
STEEL/FIBERGLASS INSWING OPAQUE SINGLE DOOR
W/SIDELITES - IMPACT
INSTALLATION DETAILS

DRAWN: N.G.	DWG NO. 08-02035	REV H
SCALE NTS	DATE 05/21/13	SHEET 4 OF 15

L. ROBERTO LOMAS P.E.
1432 WOODFORD RD LEWISVILLE, NC 27023
434-688-0609 rllomas@rlomaspe.com

Luis R. Lomas P.E.
FL No.: 62514

REVISIONS			
REV	DESCRIPTION	DATE	APPROVED
H	ADDED TRIMS & 5180 HOT MELT BUTYL	08/24/2021	R.L.



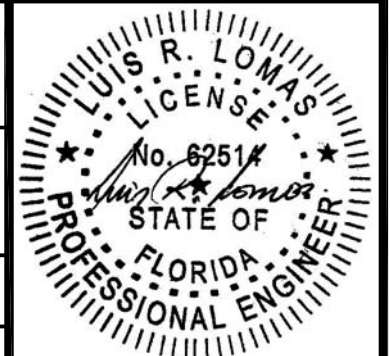
- NOTES:
1. INTERIOR AND EXTERIOR FINISHES, BY OTHERS, NOT SHOWN FOR CLARITY.
 2. PERIMETER AND JOINT SEALANT BY OTHERS TO BE DESIGNED IN ACCORDANCE WITH ASTM E2112

PROVIA, LLC.
2150 STATE ROUTE 39 WEST
SUGARCREEK, OH 44681

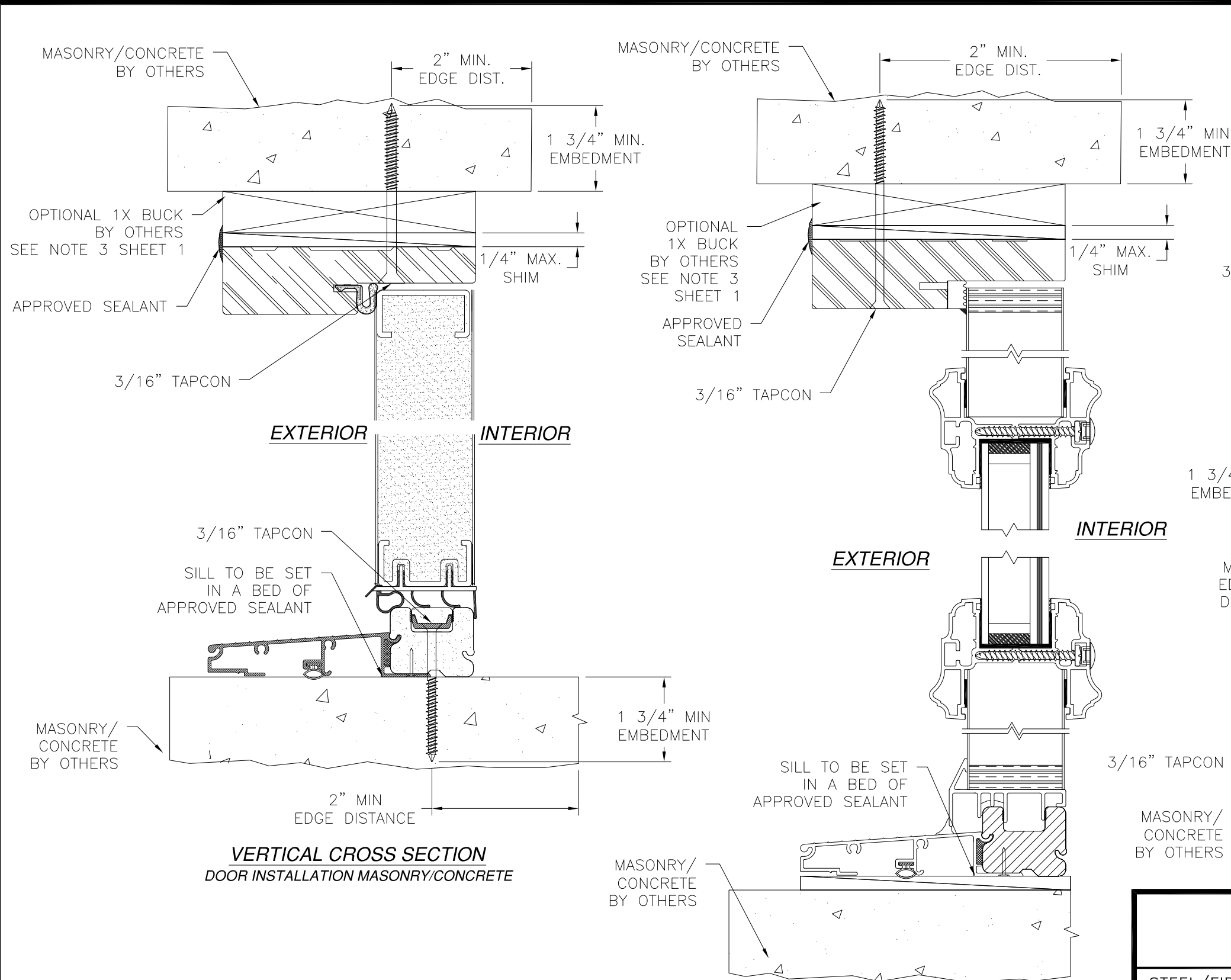
STEEL/FIBERGLASS INSWING OPAQUE SINGLE DOOR
W/SIDELITES - IMPACT
INSTALLATION DETAILS

DRAWN: N.G.	DWG NO. 08-02035	REV H
SCALE NTS	DATE 05/21/13	SHEET 5 OF 15

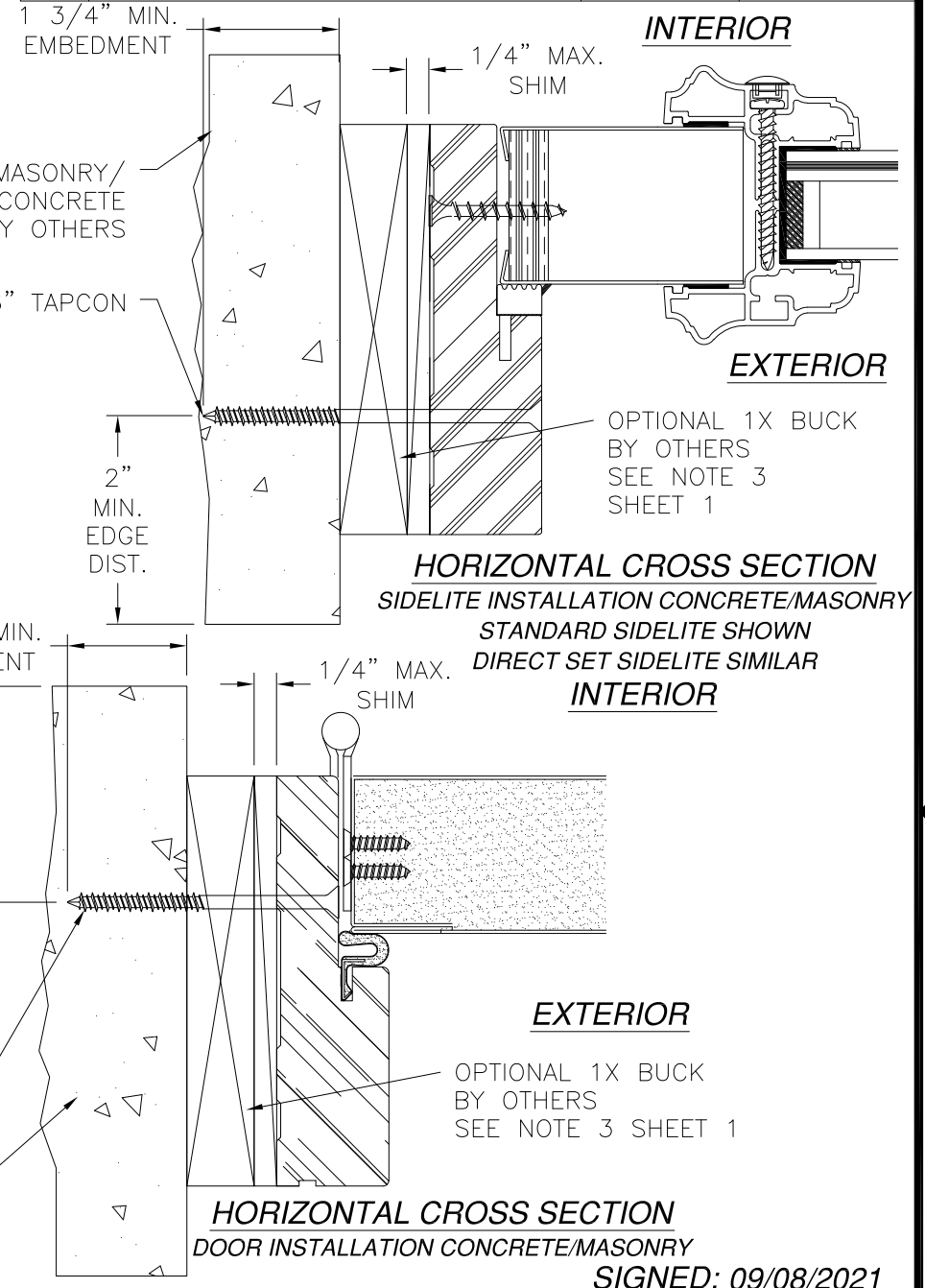
L. ROBERTO LOMAS P.E.
1432 WOODFORD RD LEWISVILLE, NC 27023
434-688-0609 rllomas@rlomaspe.com



Luis R. Lomas P.E.
FL No.: 62514



REVISIONS			
REV	DESCRIPTION	DATE	APPROVED
H	ADDED TRIMS & 5180 HOT MELT BUTYL	08/24/2021	R.L.



VERTICAL CROSS SECTION
DOOR INSTALLATION MASONRY/CONCRETE

VERTICAL CROSS SECTION
SIDELITE INSTALLATION MASONRY/CONCRETE
STANDARD SIDELITE SHOWN
DIRECT SET SIDELITE SIMILAR

HORIZONTAL CROSS SECTION
DOOR INSTALLATION CONCRETE/MASONRY

SIGNED: 09/08/2021

- NOTES:
1. INTERIOR AND EXTERIOR FINISHES, BY OTHERS, NOT SHOWN FOR CLARITY.
 2. PERIMETER AND JOINT SEALANT BY OTHERS TO BE DESIGNED IN ACCORDANCE WITH ASTM E2112

PROVIA, LLC.
2150 STATE ROUTE 39 WEST
SUGARCREEK, OH 44681

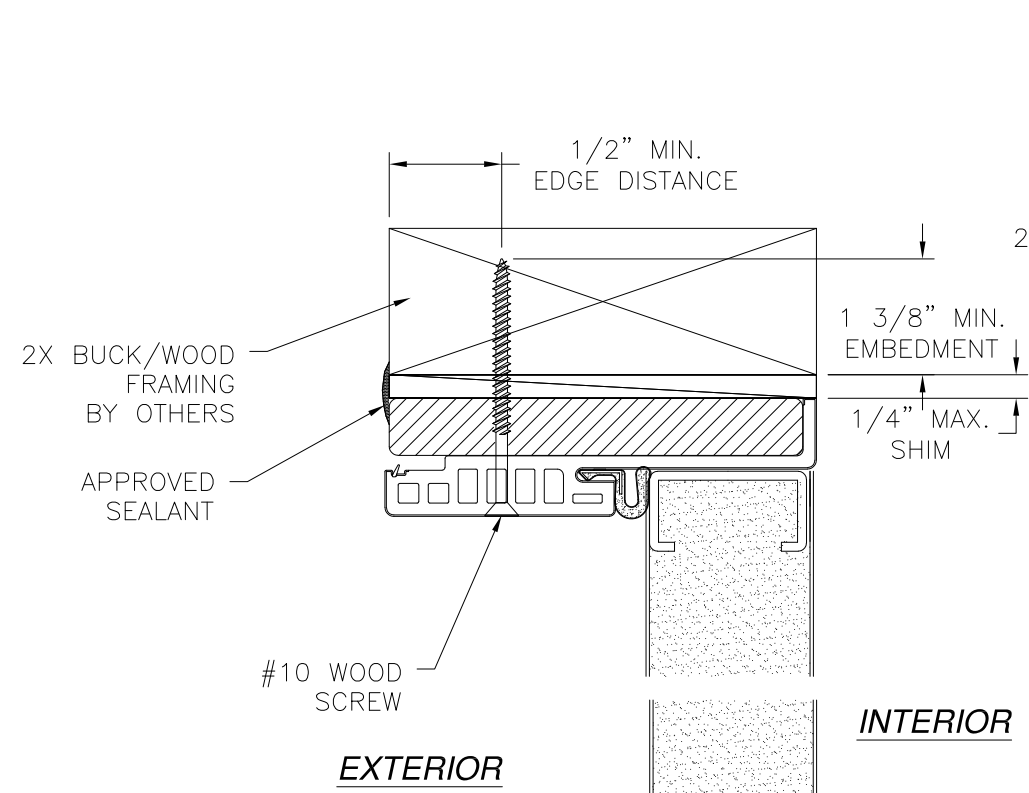
STEEL/FIBERGLASS INSWING OPAQUE SINGLE DOOR
W/SIDELITES – IMPACT
INSTALLATION DETAILS

DRAWN: N.G.	DWG NO. 08-02035	REV H
SCALE NTS	DATE 05/21/13	SHEET 6 OF 15

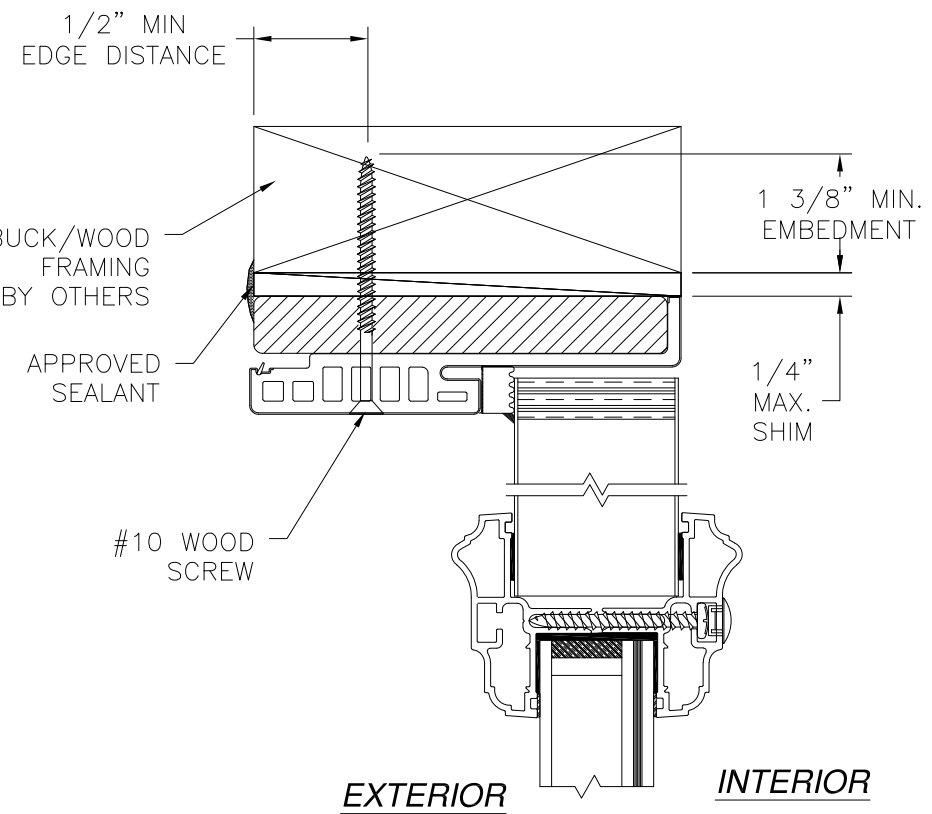
L. ROBERTO LOMAS P.E.
1432 WOODFORD RD LEWISVILLE, NC 27023
434-688-0609 rllomas@rlomaspe.com

Luis R. Lomas P.E.
FL No.: 62514

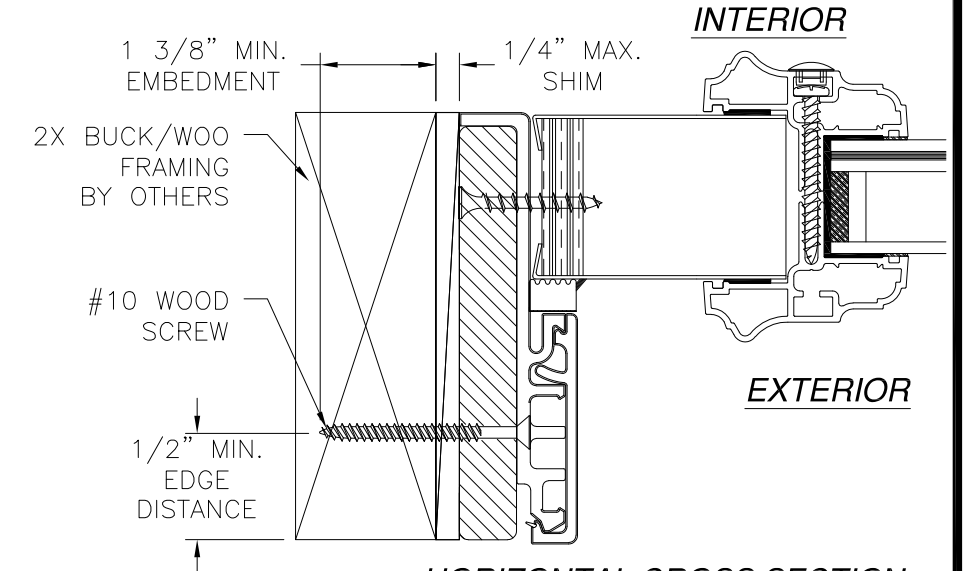
REVISIONS			
REV	DESCRIPTION	DATE	APPROVED
H	ADDED TRIMS & 5180 HOT MELT BUTYL	08/24/2021	R.L.



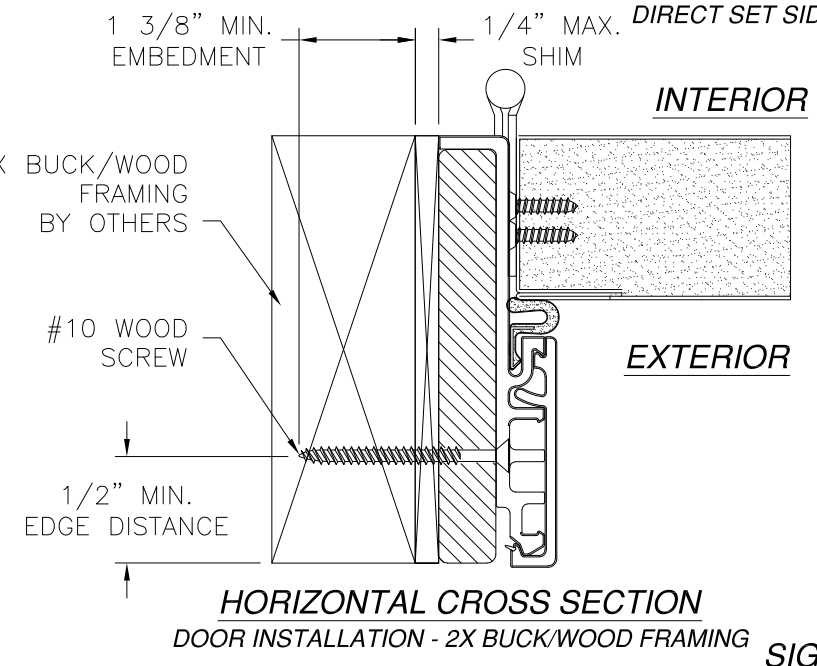
VERTICAL CROSS SECTION
DOOR INSTALLATION - 2X BUCK/WOOD FRAMING



VERTICAL CROSS SECTION
SIDELITE INSTALLATION 2X BUCK/WOOD FRAMING
STANDARD SIDELITE SHOWN
DIRECT SET SIDELITE SIMILAR



HORIZONTAL CROSS SECTION
SIDELITE INSTALLATION 2X BUCK/WOOD FRAMING
STANDARD SIDELITE SHOWN
DIRECT SET SIDELITE SIMILAR



HORIZONTAL CROSS SECTION
DOOR INSTALLATION - 2X BUCK/WOOD FRAMING

- NOTES:**
1. INTERIOR AND EXTERIOR FINISHES, BY OTHERS, NOT SHOWN FOR CLARITY.
 2. PERIMETER AND JOINT SEALANT BY OTHERS TO BE DESIGNED IN ACCORDANCE WITH ASTM E2112

PROVIA, LLC.
2150 STATE ROUTE 39 WEST
SUGARCREEK, OH 44681

STEEL/FIBERGLASS INSWING OPAQUE SINGLE DOOR
W/SIDELITES - IMPACT
INSTALLATION DETAILS W/FUSION FRAME

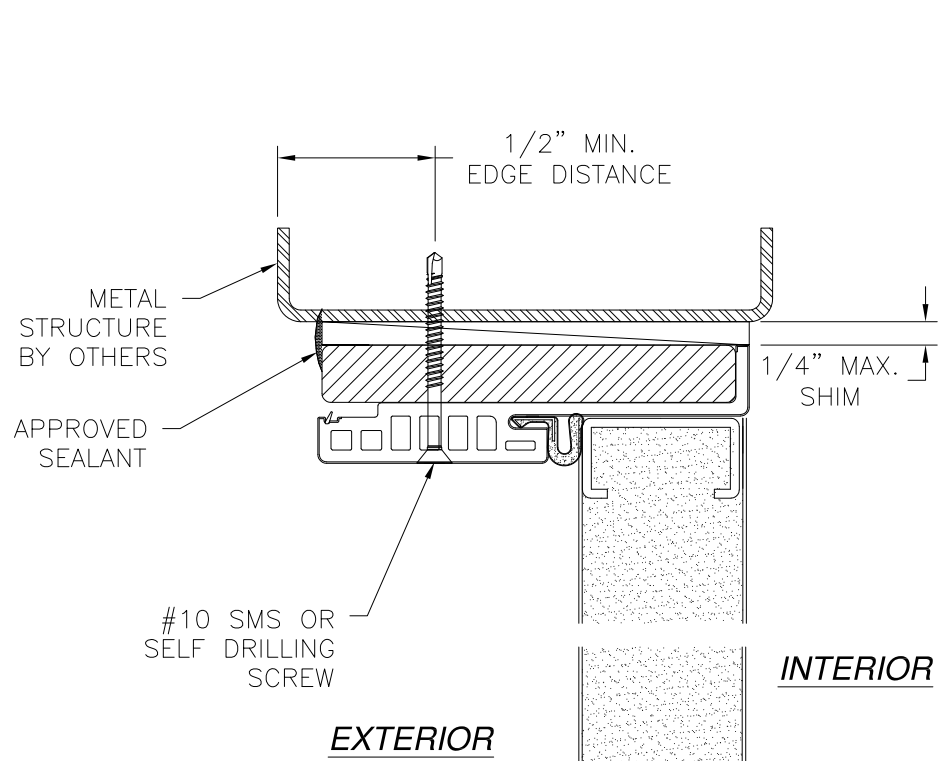
DRAWN: N.G.	DWG NO. 08-02035	REV H
SCALE NTS	DATE 05/21/13	SHEET 7 OF 15

L. ROBERTO LOMAS P.E.
1432 WOODFORD RD LEWISVILLE, NC 27023
434-688-0609 rllomas@rlomaspe.com

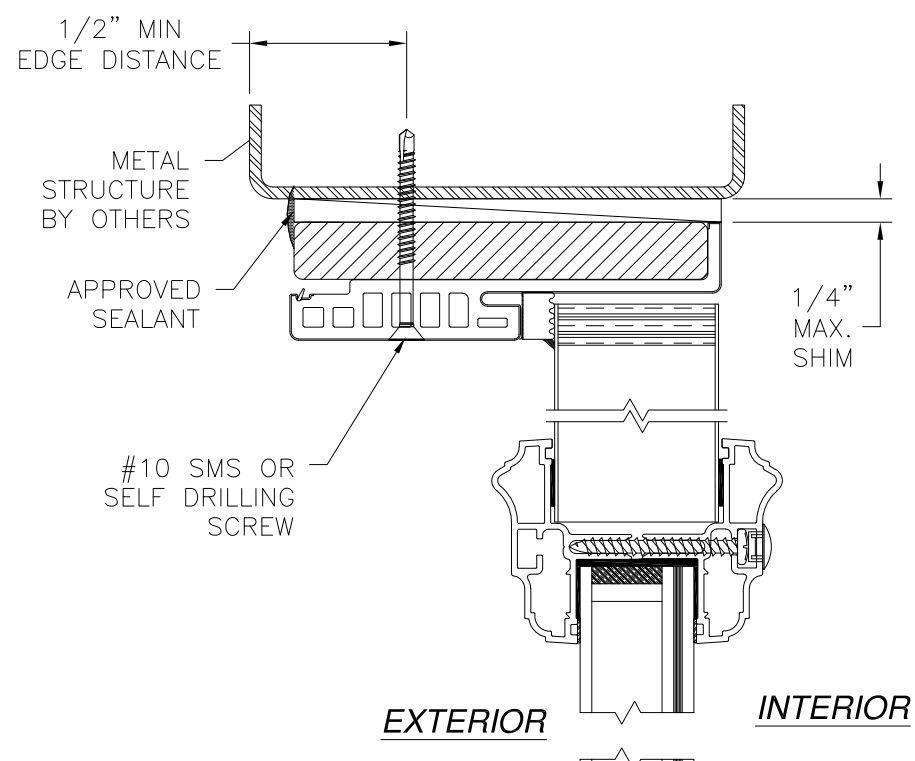
Professional Engineer Seal for Luis R. Lomas, State of Florida, License No. 62514.

Luis R. Lomas P.E.
FL No.: 62514

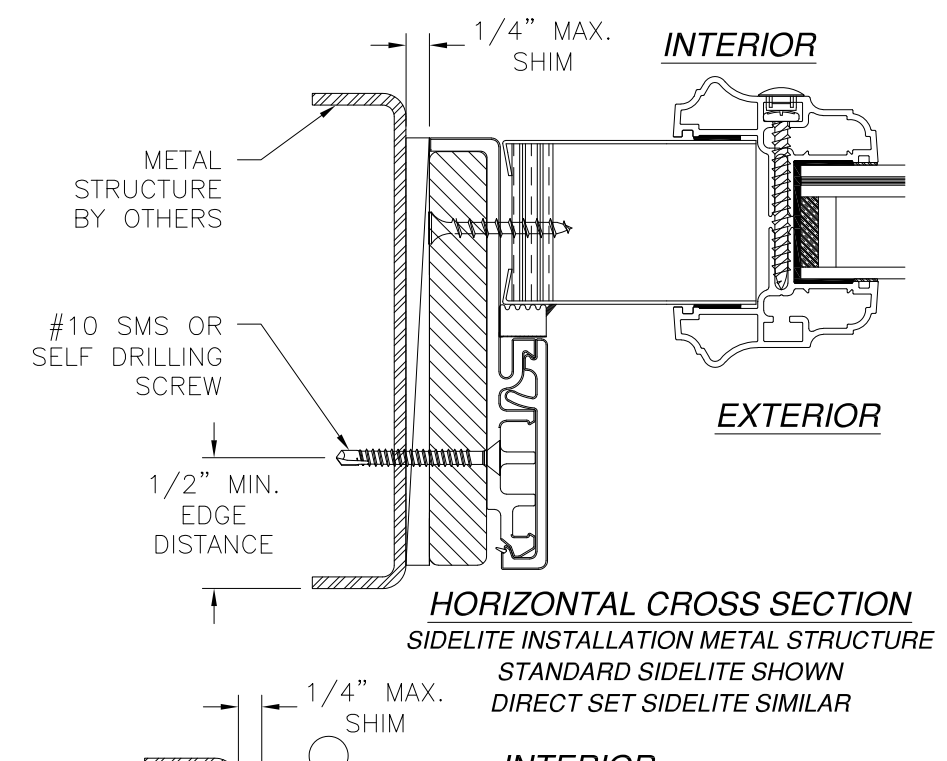
REVISIONS			
REV	DESCRIPTION	DATE	APPROVED
H	ADDED TRIMS & 5180 HOT MELT BUTYL	08/24/2021	R.L.



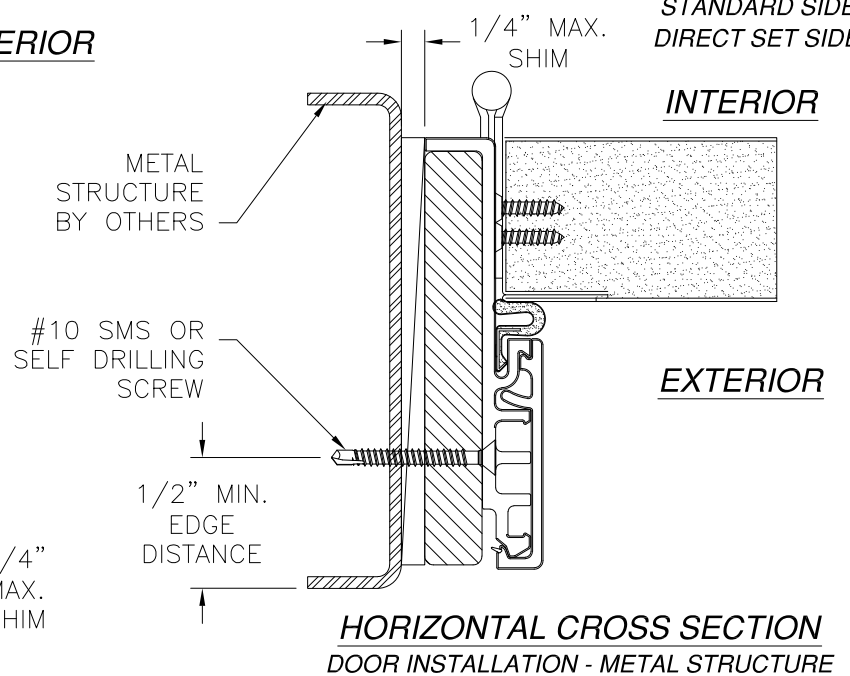
**VERTICAL CROSS SECTION
DOOR INSTALLATION - METAL STRUCTURE**



**VERTICAL CROSS SECTION
SIDELITE INSTALLATION 2X BUCK WOOD FRAMING
STANDARD SIDELITE SHOWN
DIRECT SET SIDELITE SIMILAR**



**HORIZONTAL CROSS SECTION
SIDELITE INSTALLATION METAL STRUCTURE
STANDARD SIDELITE SHOWN
DIRECT SET SIDELITE SIMILAR**



**HORIZONTAL CROSS SECTION
DOOR INSTALLATION - METAL STRUCTURE**

SIGNED: 09/08/2021

- NOTES:**
1. INTERIOR AND EXTERIOR FINISHES, BY OTHERS, NOT SHOWN FOR CLARITY.
 2. PERIMETER AND JOINT SEALANT BY OTHERS TO BE DESIGNED IN ACCORDANCE WITH ASTM E2112

PROVIA, LLC.
2150 STATE ROUTE 39 WEST
SUGARCREEK, OH 44681

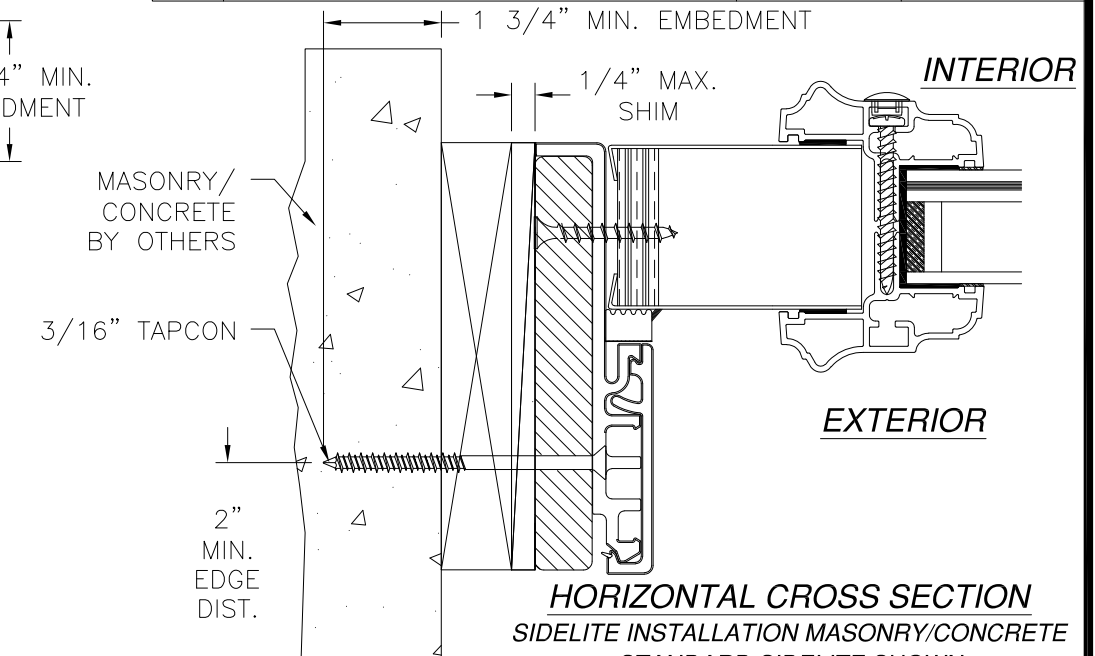
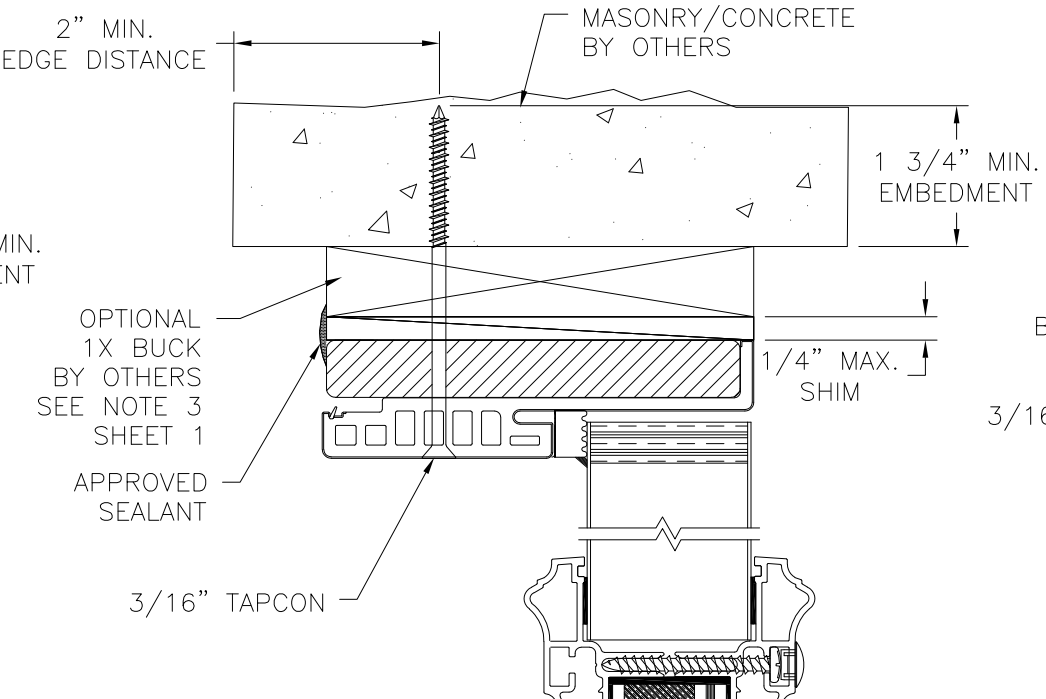
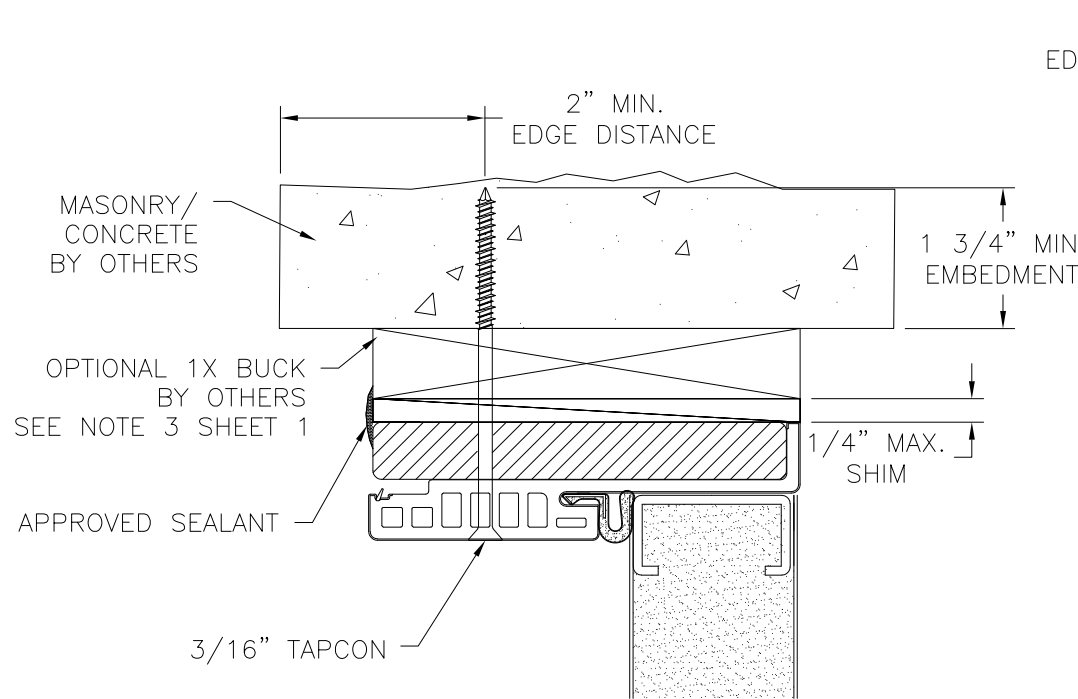
STEEL/FIBERGLASS INSWING OPAQUE SINGLE DOOR
W/SIDELITES - IMPACT
INSTALLATION DETAILS W/FUSION FRAME

DRAWN: N.G.	DWG NO. 08-02035	REV H
SCALE NTS	DATE 05/21/13	SHEET 8 OF 15

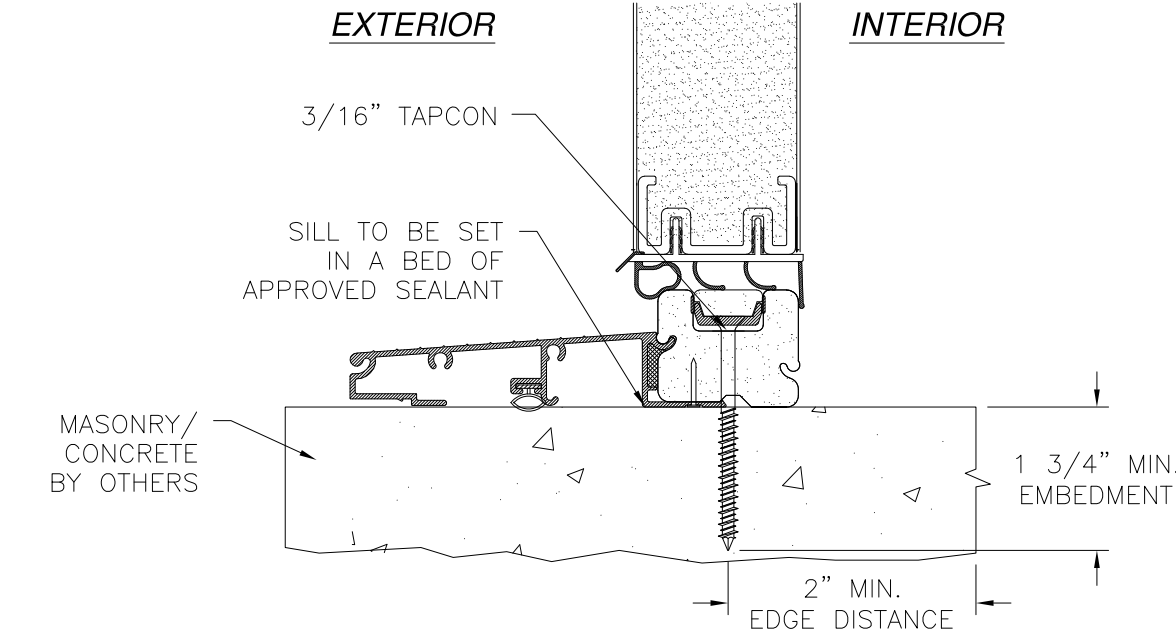
L. ROBERTO LOMAS P.E.
1432 WOODFORD RD LEWISVILLE, NC 27023
434-688-0609 rllomas@rlomaspe.com

Luis R. Lomas P.E.
FL No.: 62514

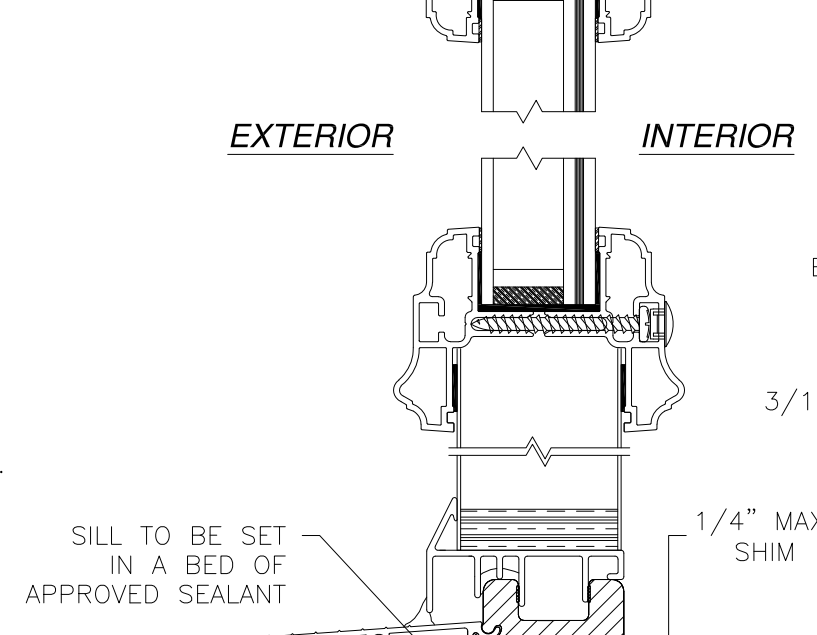
REVISIONS			
REV	DESCRIPTION	DATE	APPROVED
H	ADDED TRIMS & 5180 HOT MELT BUTYL	08/24/2021	R.L.



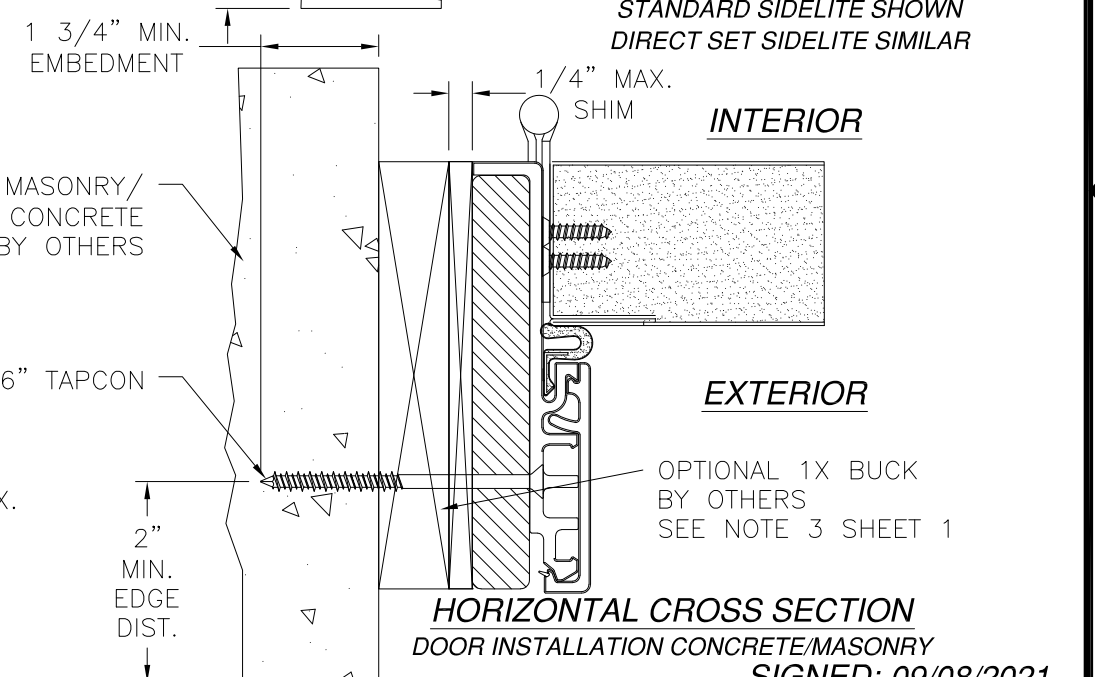
HORIZONTAL CROSS SECTION
SIDELITE INSTALLATION MASONRY/CONCRETE
STANDARD SIDELITE SHOWN
DIRECT SET SIDELITE SIMILAR



VERTICAL CROSS SECTION
DOOR INSTALLATION MASONRY/CONCRETE



VERTICAL CROSS SECTION
SIDELITE INSTALLATION MASONRY/CONCRETE
STANDARD SIDELITE SHOWN
DIRECT SET SIDELITE SIMILAR



HORIZONTAL CROSS SECTION
DOOR INSTALLATION CONCRETE/MASONRY
SIGNED: 09/08/2021

- NOTES:**
1. INTERIOR AND EXTERIOR FINISHES, BY OTHERS, NOT SHOWN FOR CLARITY.
 2. PERIMETER AND JOINT SEALANT BY OTHERS TO BE DESIGNED IN ACCORDANCE WITH ASTM E2112

PROVIA, LLC.
2150 STATE ROUTE 39 WEST
SUGARCREEK, OH 44681

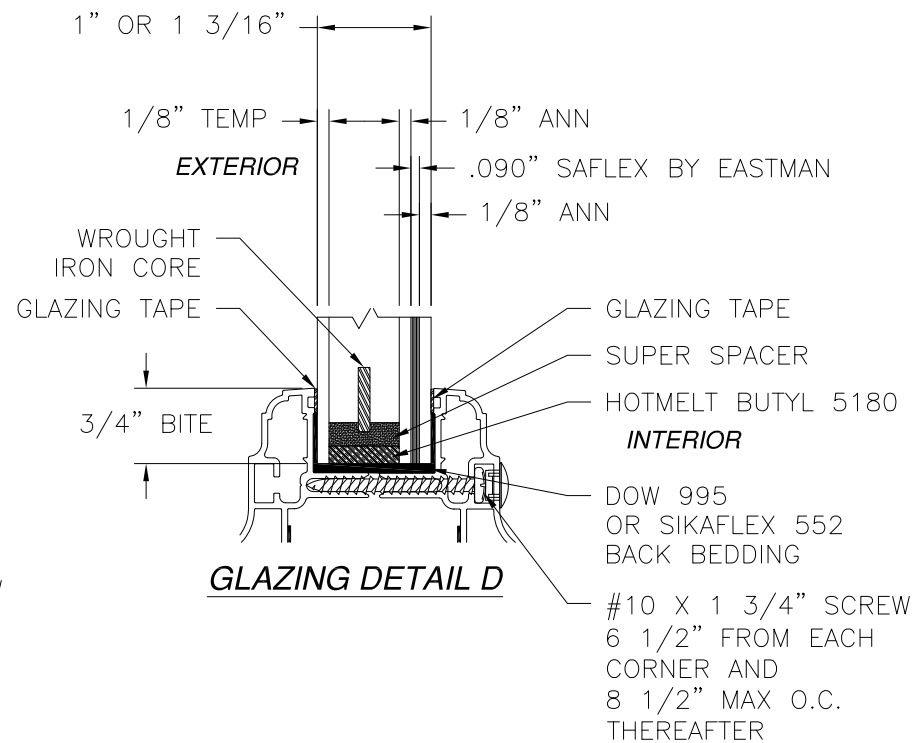
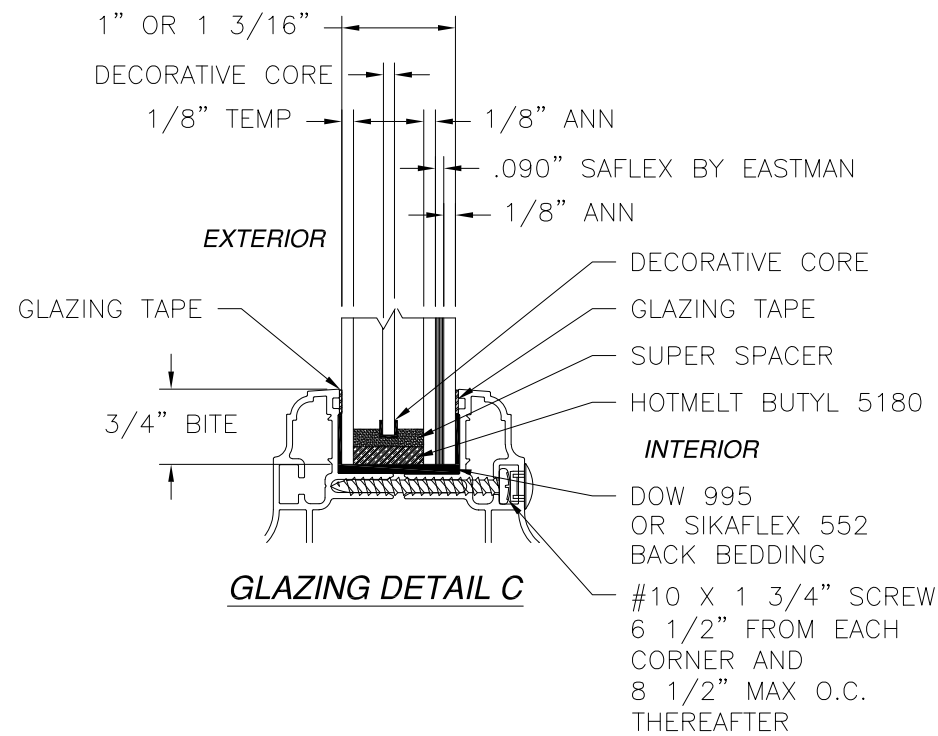
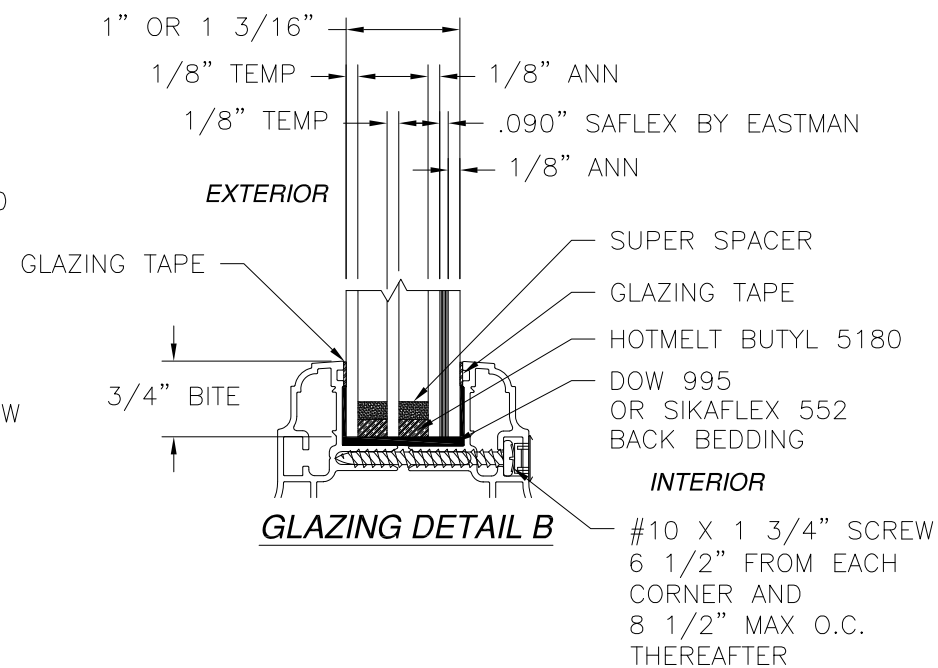
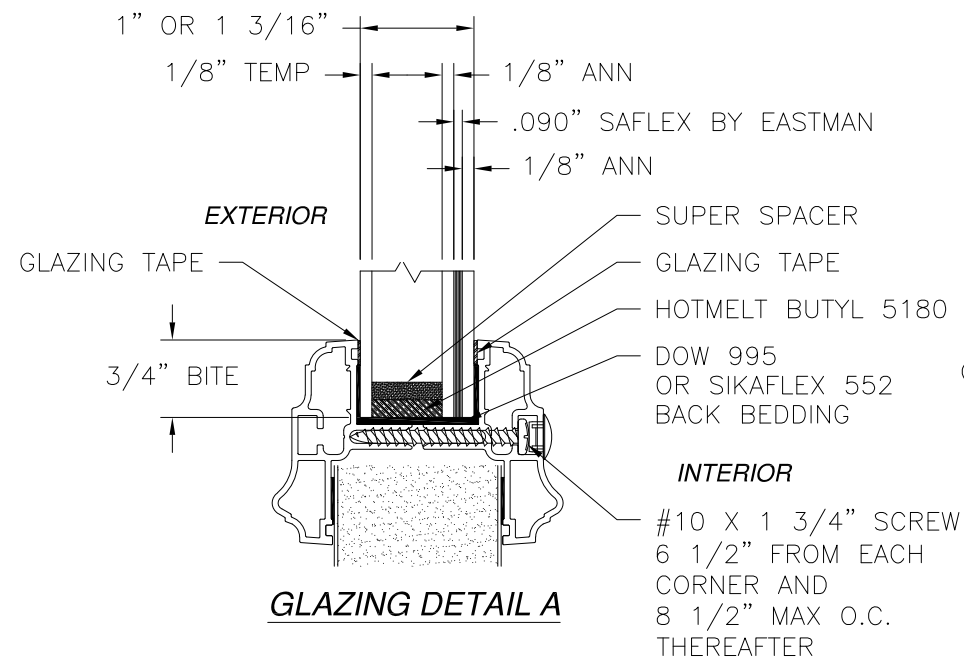
STEEL/FIBERGLASS INSWING OPAQUE SINGLE DOOR
W/SIDELITES - IMPACT
INSTALLATION DETAILS W/FUSION FRAME

DRAWN: N.G.	DWG NO. 08-02035	REV H
SCALE NTS	DATE 05/21/13	SHEET 9 OF 15

L. ROBERTO LOMAS P.E.
1432 WOODFORD RD LEWISVILLE, NC 27023
434-688-0609 rllomas@rlomaspe.com

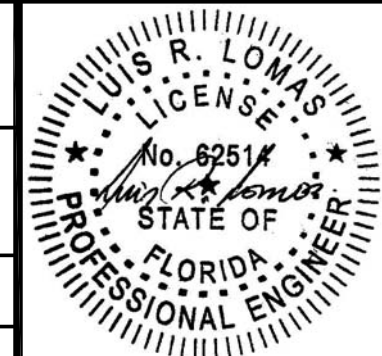
Luis R. Lomas P.E.
FL No.: 62514

REVISIONS			
REV	DESCRIPTION	DATE	APPROVED
H	ADDED TRIMS & 5180 HOT MELT BUTYL	08/24/2021	R.L.



SIGNED: 09/08/2021

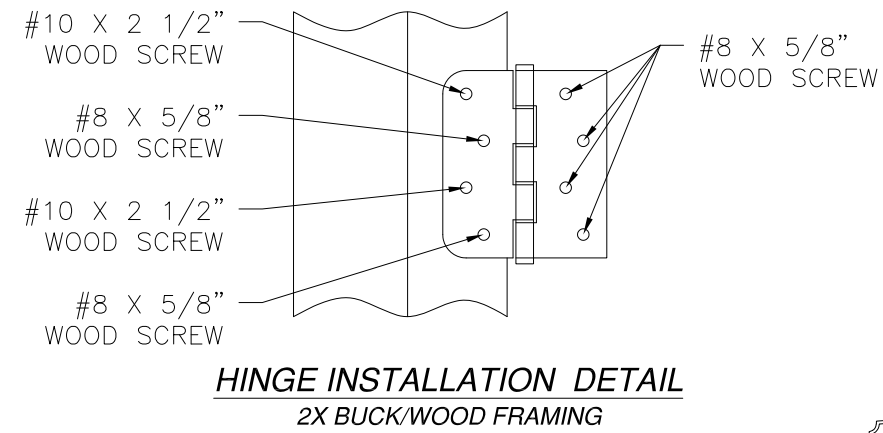
PROVIA, LLC. 2150 STATE ROUTE 39 WEST SUGARCREEK, OH 44681		
STEEL/FIBERGLASS INSWING OPAQUE SINGLE DOOR W/SIDELITES - IMPACT GLAZING DETAILS		
DRAWN: N.G.	DWG NO. 08-02035	REV H
SCALE NTS	DATE 05/21/13	SHEET 10 OF 15
L. ROBERTO LOMAS P.E. 1432 WOODFORD RD LEWISVILLE, NC 27023 434-688-0609 rllomas@rlomaspe.com		



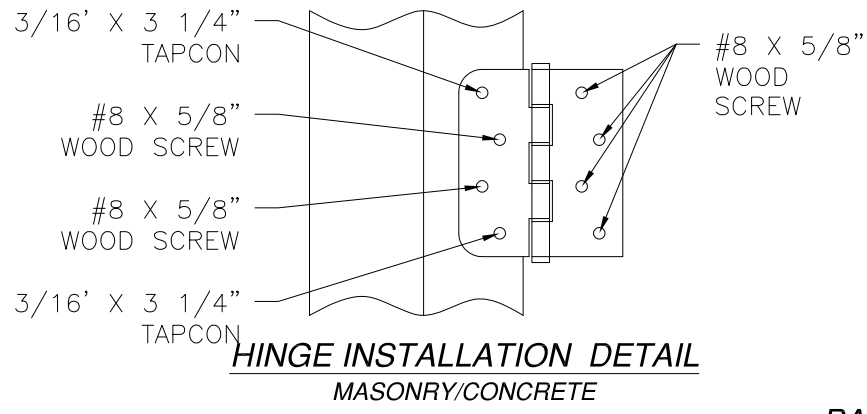
Luis R. Lomas P.E.
FL No.: 62514

REVISIONS			
REV	DESCRIPTION	DATE	APPROVED
H	ADDED TRIMS & 5180 HOT MELT BUTYL	08/24/2021	R.L.

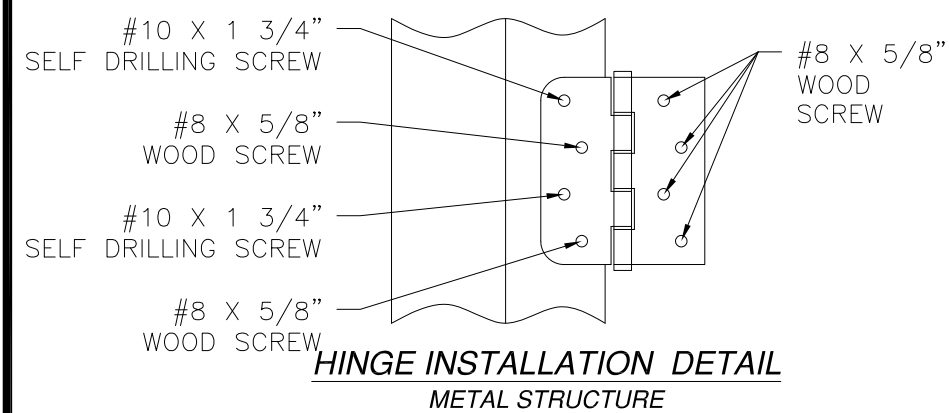
APPROVED SIDELITE SLABS



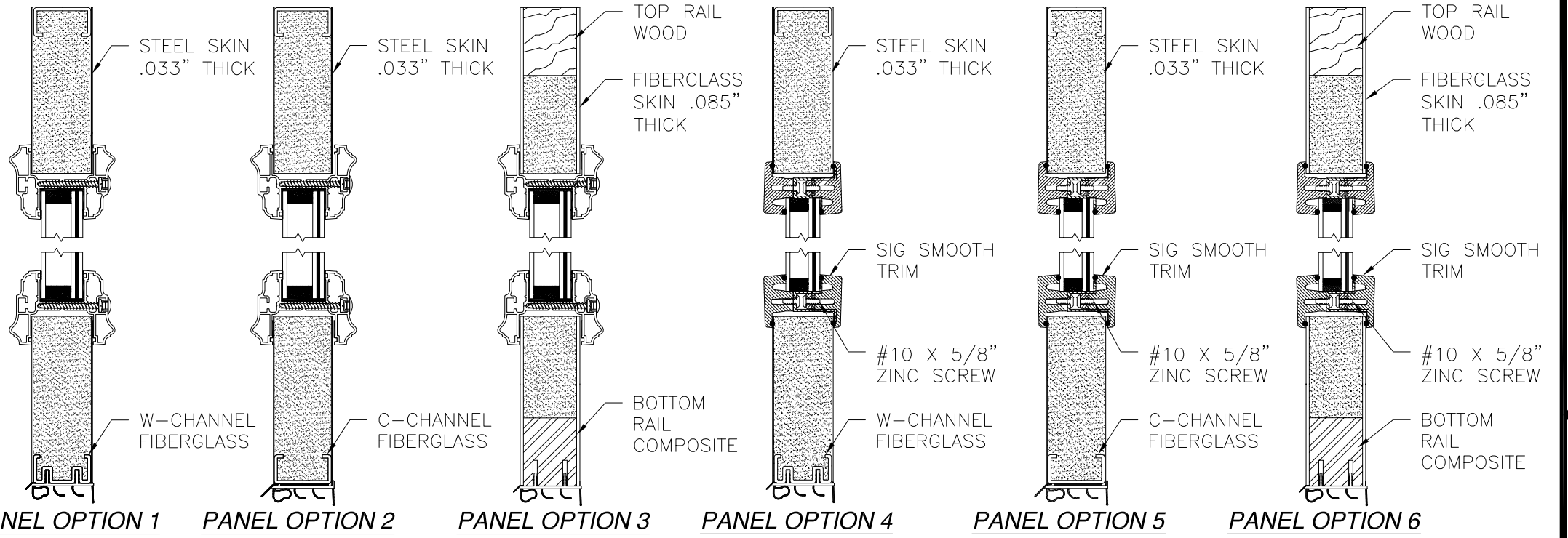
HINGE INSTALLATION DETAIL
2X BUCK/WOOD FRAMING



HINGE INSTALLATION DETAIL
MASONRY/CONCRETE



HINGE INSTALLATION DETAIL
METAL STRUCTURE



PANEL OPTION 1 **PANEL OPTION 2** **PANEL OPTION 3** **PANEL OPTION 4** **PANEL OPTION 5** **PANEL OPTION 6**

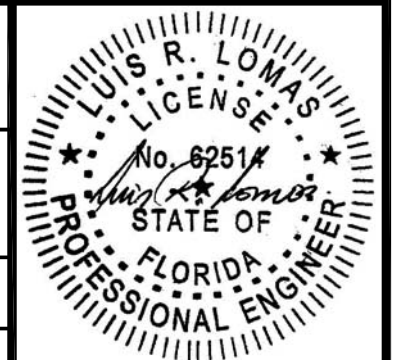
PROVIA, LLC.
2150 STATE ROUTE 39 WEST
SUGARCREEK, OH 44681

STEEL/FIBERGLASS INSWING OPAQUE SINGLE DOOR
W/SIDELITES – IMPACT
COMPONENTS

DRAWN: N.G.	DWG NO. 08-02035	REV H
SCALE NTS	DATE 05/21/13	SHEET 11 OF 15

L. ROBERTO LOMAS P.E.
1432 WOODFORD RD LEWISVILLE, NC 27023
434-688-0609 rllomas@lrlomaspe.com

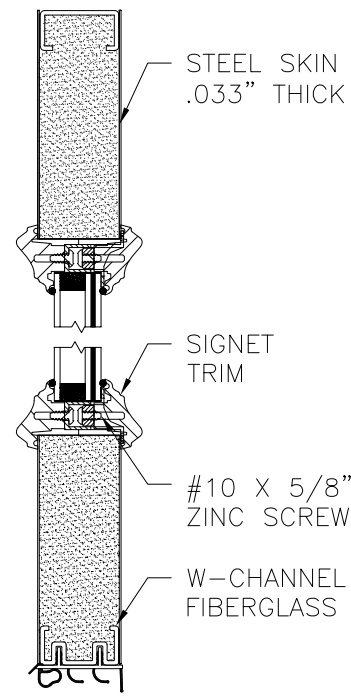
SIGNED: 09/08/2021



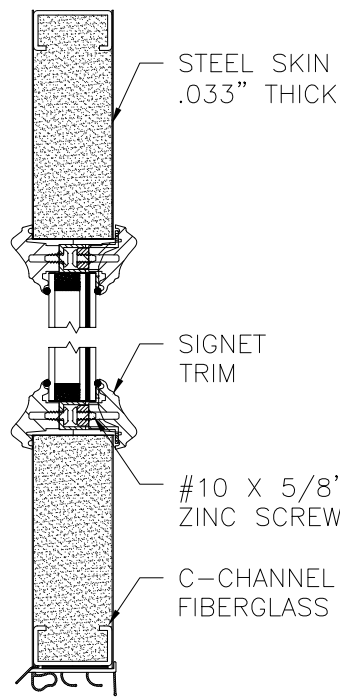
Luis R. Lomas P.E.
FL No.: 62514

APPROVED SIDELITE SLABS

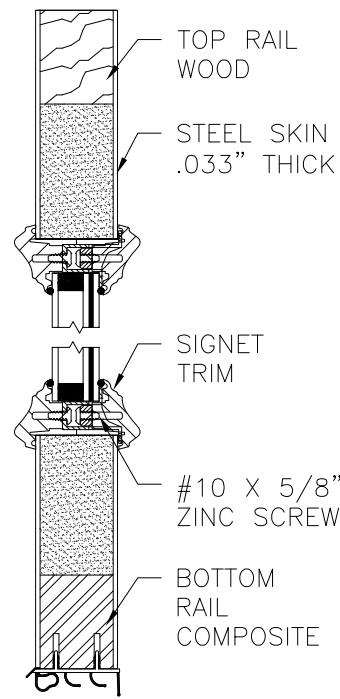
REVISIONS			
REV	DESCRIPTION	DATE	APPROVED
H	ADDED TRIMS & 5180 HOT MELT BUTYL	08/24/2021	R.L.



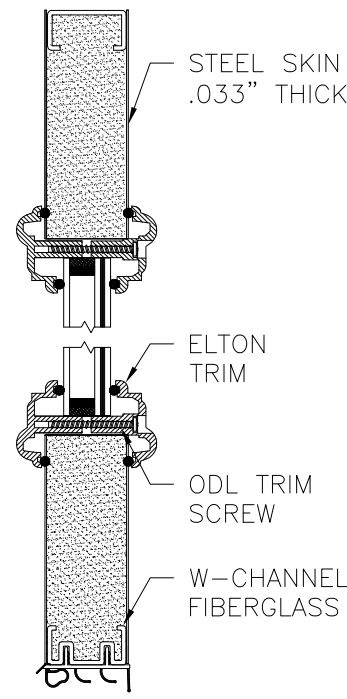
PANEL OPTION 7



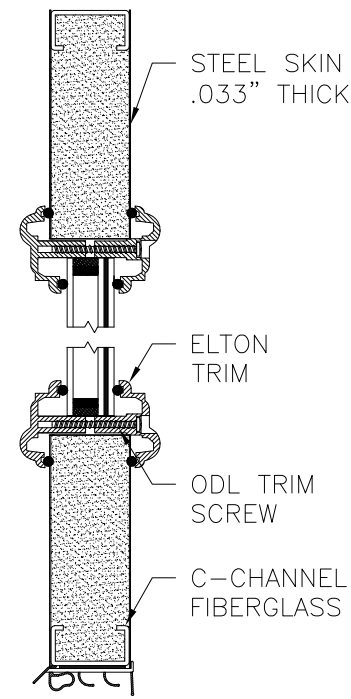
PANEL OPTION 8



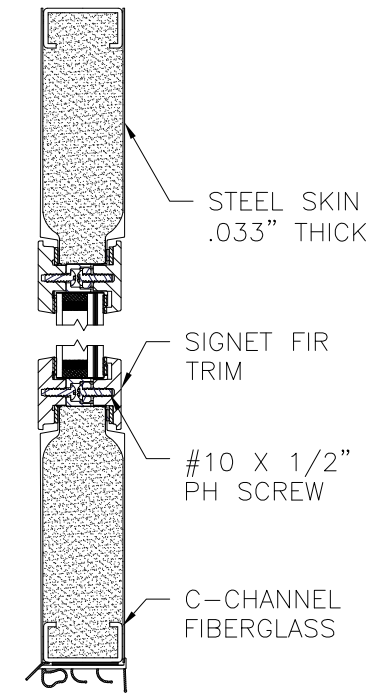
PANEL OPTION 9



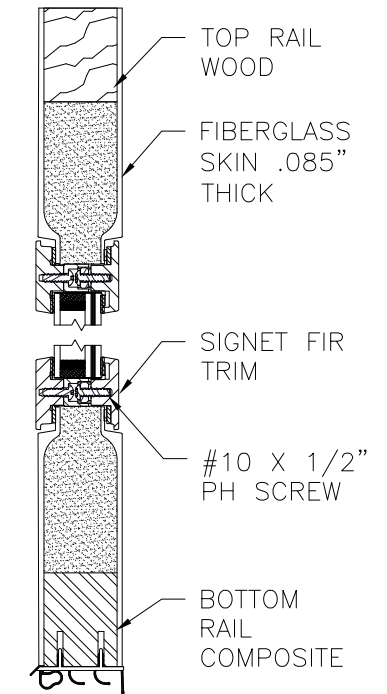
PANEL OPTION 10



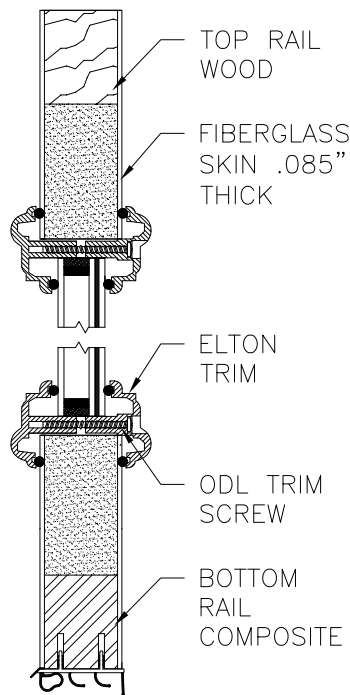
PANEL OPTION 11



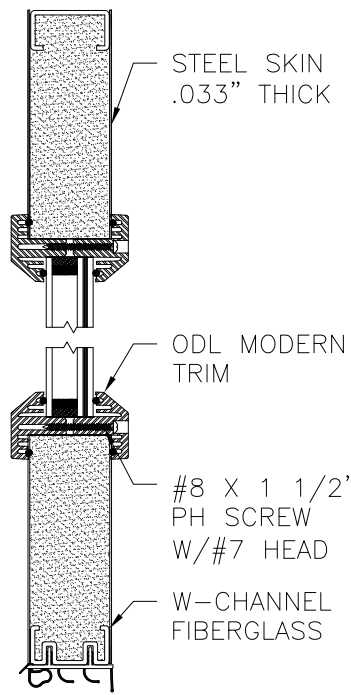
PANEL OPTION 17



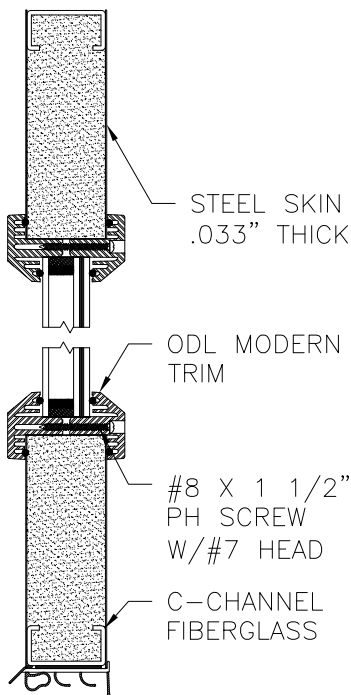
PANEL OPTION 18



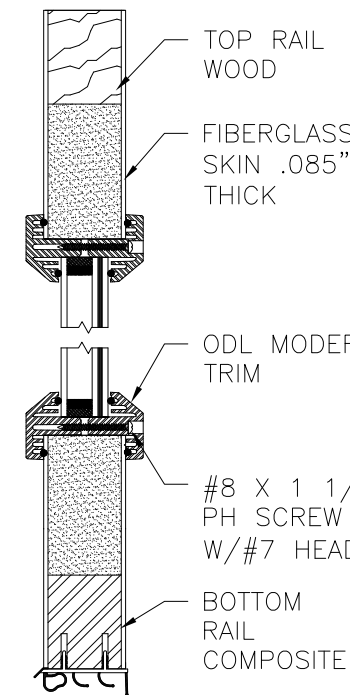
PANEL OPTION 12



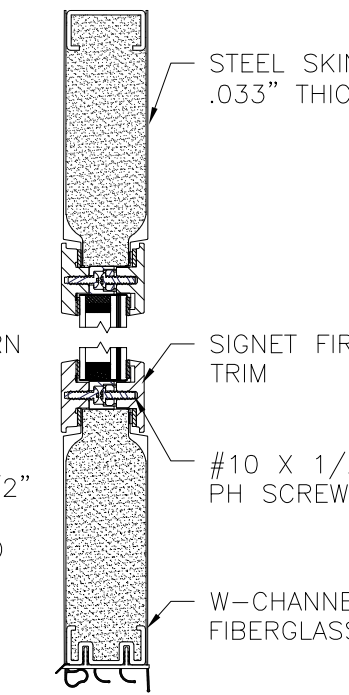
PANEL OPTION 13



PANEL OPTION 14



PANEL OPTION 15



PANEL OPTION 16

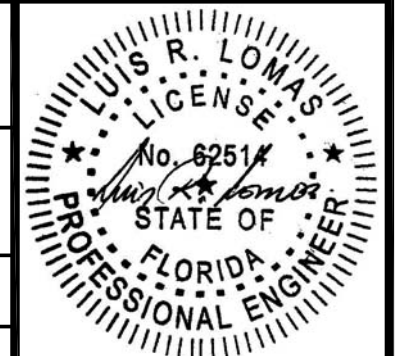
PROVIA, LLC.
2150 STATE ROUTE 39 WEST
SUGARCREEK, OH 44681

STEEL/FIBERGLASS INSWING OPAQUE SINGLE DOOR
W/SIDELITES - IMPACT
APPROVED SLABS

DRAWN: N.G.	DWG NO. 08-02035	REV H
SCALE NTS	DATE 05/21/13	SHEET 12 OF 15

L. ROBERTO LOMAS P.E.
1432 WOODFORD RD LEWISVILLE, NC 27023
434-688-0609 rllomas@rlomaspe.com

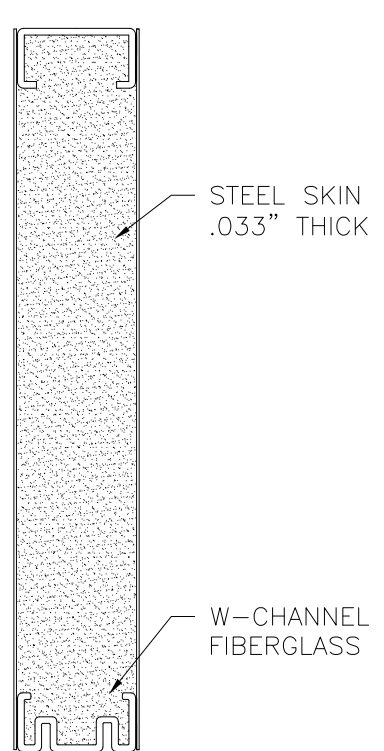
SIGNED: 09/08/2021



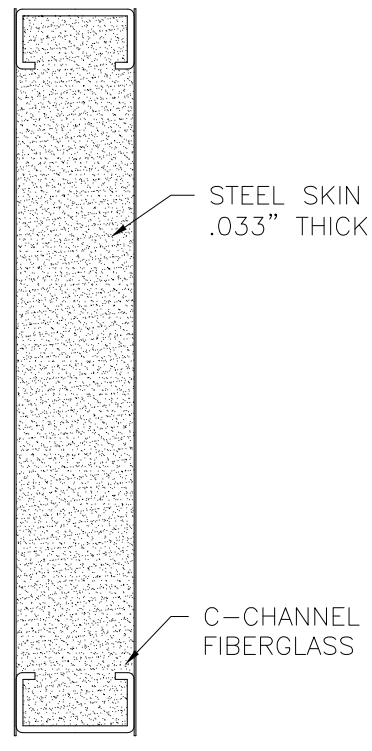
Luis R. Lomas P.E.
FL No.: 62514

APPROVED DOOR SLABS AND CROSS SECTIONS

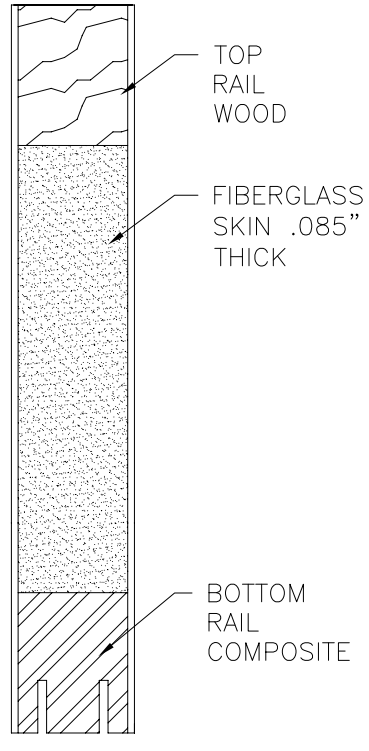
REVISIONS			
REV	DESCRIPTION	DATE	APPROVED
H	ADDED TRIMS & 5180 HOT MELT BUTYL	08/24/2021	R.L.



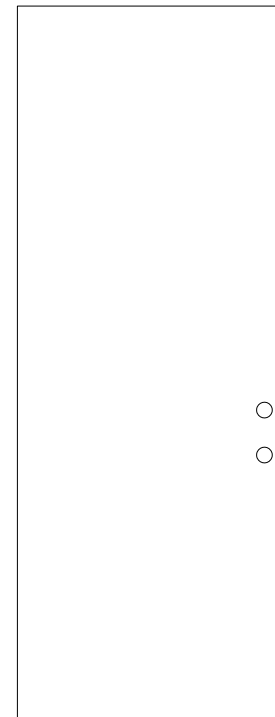
20GA STEEL



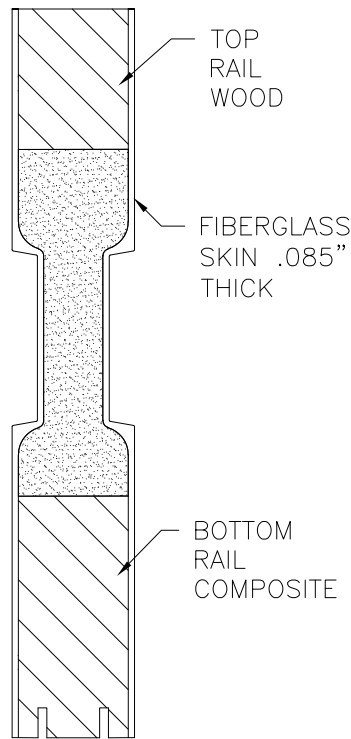
20GA STEEL



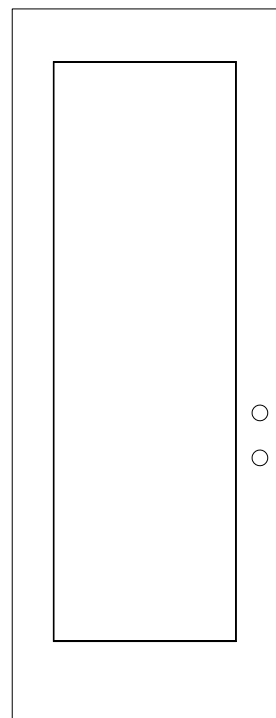
FIBERGLASS



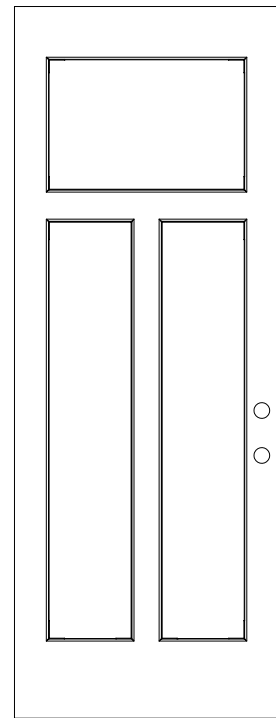
FLAT SLAB
20GA STEEL AND FIBERGLASS



FIBERGLASS



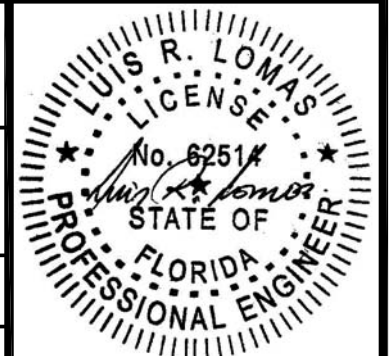
1 PANEL SLAB
FIBERGLASS ONLY



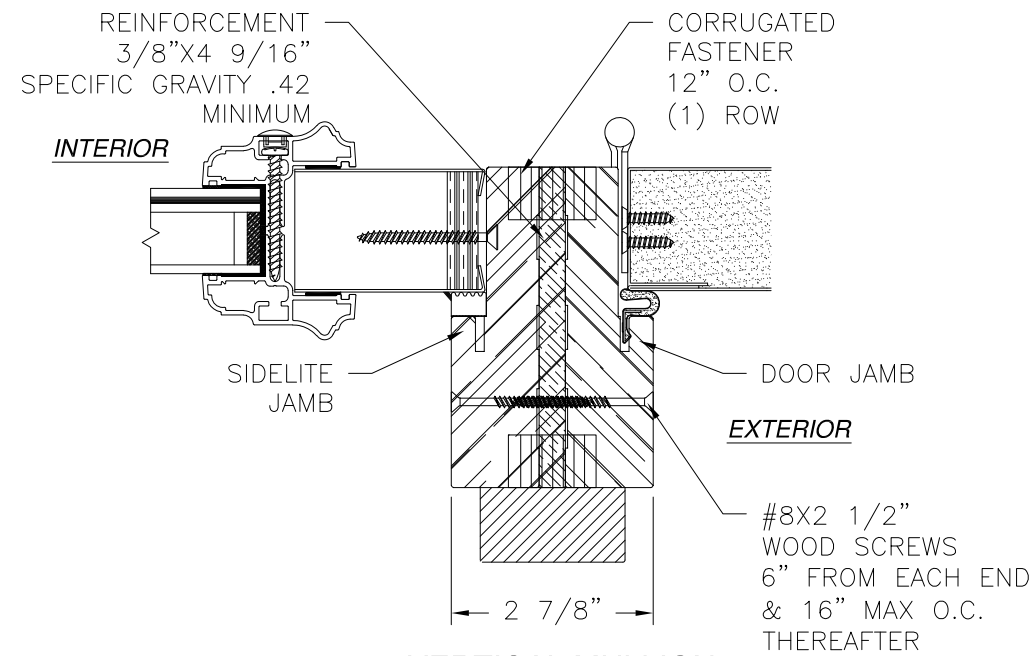
3 PANEL SLAB
FIBERGLASS ONLY

PROVIA, LLC. 2150 STATE ROUTE 39 WEST SUGARCREEK, OH 44681		
STEEL/FIBERGLASS INSWING OPAQUE SINGLE DOOR W/SIDELITES - IMPACT APPROVED SLABS		
DRAWN: N.G.	DWG NO. 08-02035	REV H
SCALE NTS	DATE 05/21/13	SHEET 13 OF 15
L. ROBERTO LOMAS P.E. 1432 WOODFORD RD LEWISVILLE, NC 27023 434-688-0609 rllomas@rlomaspe.com		

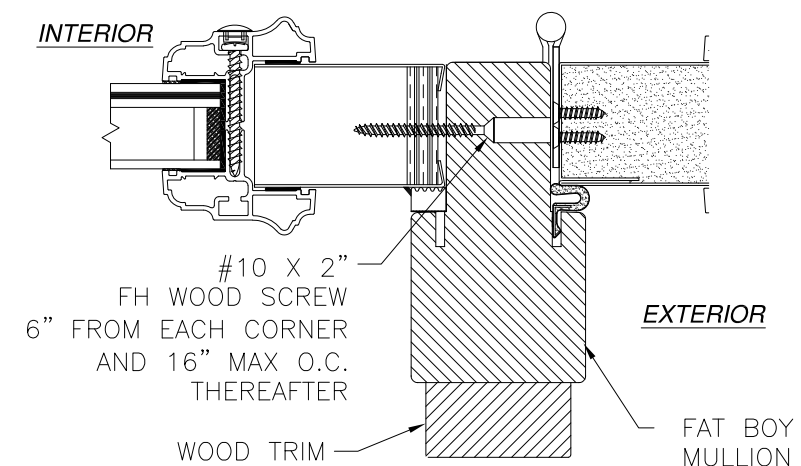
SIGNED: 09/08/2021



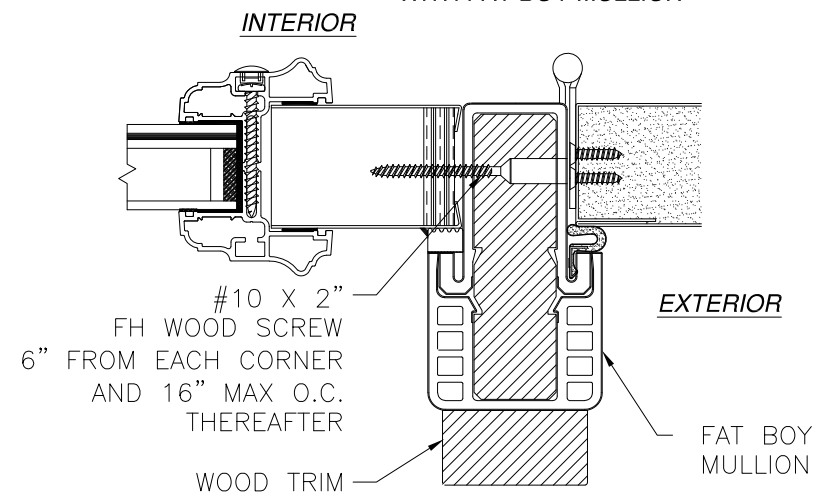
Luis R. Lomas P.E.
FL No.: 62514



VERTICAL MULLION
STANDARD FRAME SHOWN,
COMPOSITE AND FUSION FRAME SIMILAR



MULLION DETAIL
WITH FAT BOY MULLION



INSWING MULLION DETAIL
WITH HYBRID FAT BOY MULLION

REVISIONS			
REV	DESCRIPTION	DATE	APPROVED
H	ADDED TRIMS & 5180 HOT MELT BUTYL	08/24/2021	R.L.

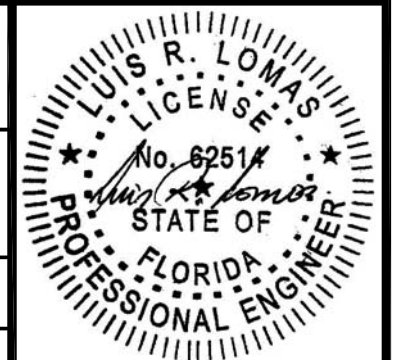
PROVIA, LLC.
2150 STATE ROUTE 39 WEST
SUGARCREEK, OH 44681

STEEL/FIBERGLASS INSWING OPAQUE SINGLE DOOR
W/SIDELITES - IMPACT
MULLION DETAILS

DRAWN: N.G.	DWG NO. 08-02035	REV H
SCALE NTS	DATE 05/21/13	SHEET 14 OF 15

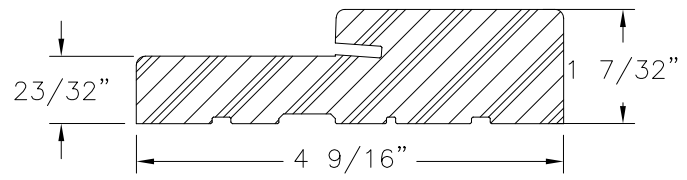
L. ROBERTO LOMAS P.E.
1432 WOODFORD RD LEWISVILLE, NC 27023
434-688-0609 rllomas@rlomaspe.com

SIGNED: 09/08/2021

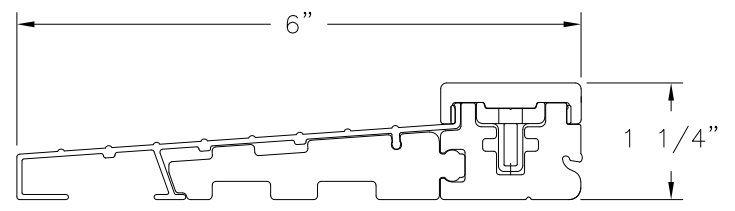


Luis R. Lomas P.E.
FL No.: 62514

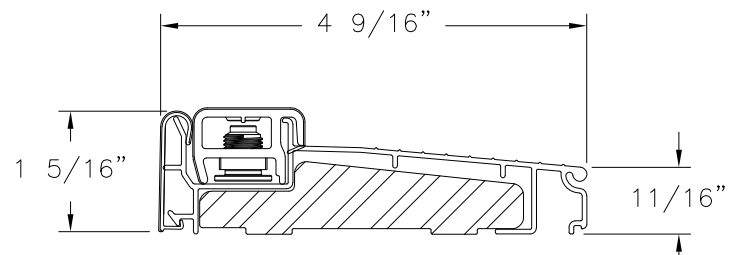
REVISIONS			
REV	DESCRIPTION	DATE	APPROVED
H	ADDED TRIMS & 5180 HOT MELT BUTYL	08/24/2021	R.L.



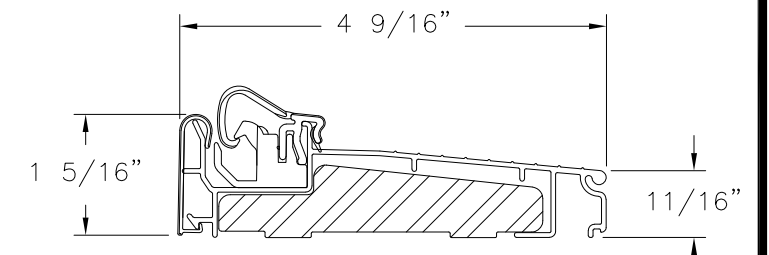
**FRAMESAVER
COMPOSITE**



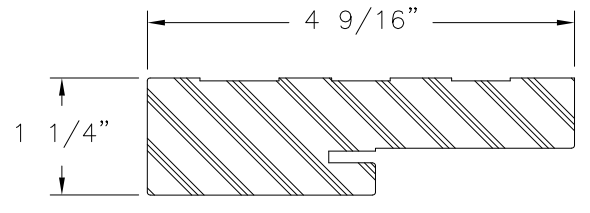
STANDARD INSWING THRESHOLD



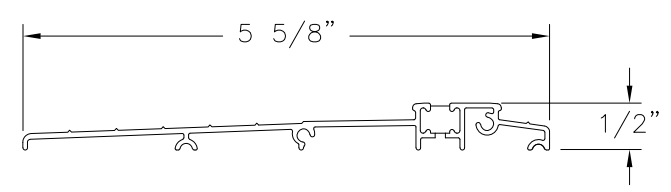
INSWING SILL ZAIL4565



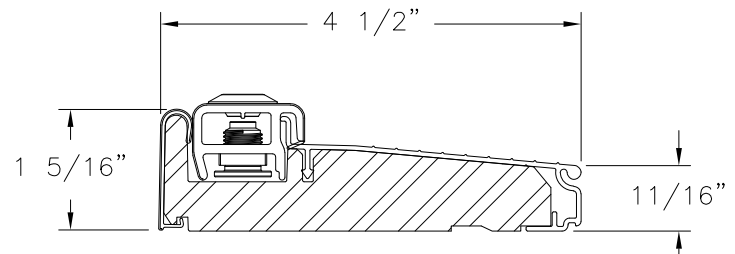
INSWING SILL ZACL4565



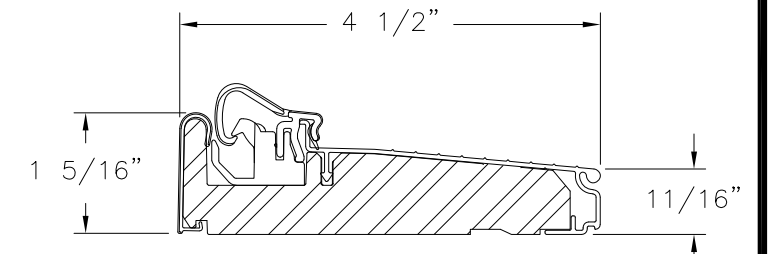
COMPOSITE FRAME PROFILE



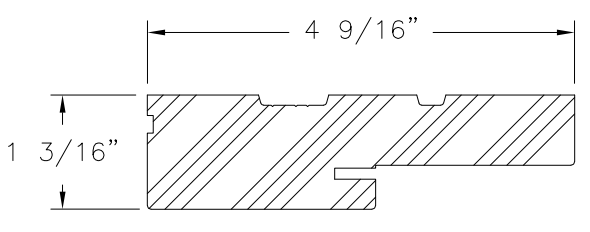
ADA THRESHOLD



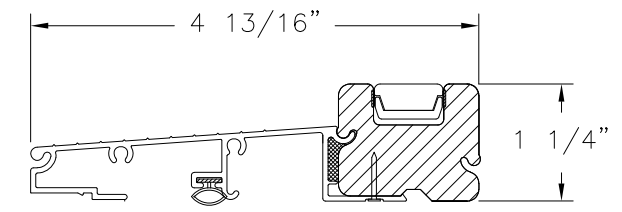
INSWING SILL ZAI4565F



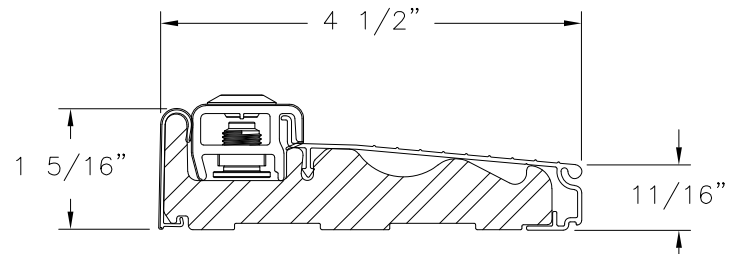
INSWING SILL ZAC4565F



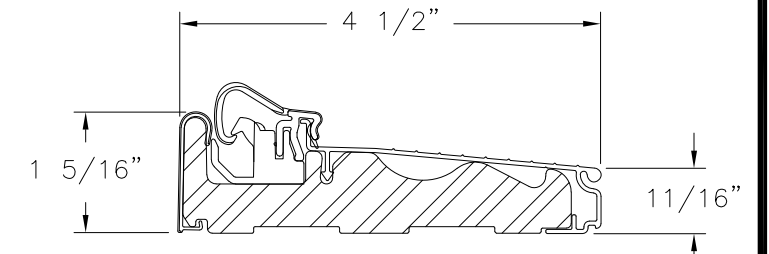
WOOD FRAME PROFILE



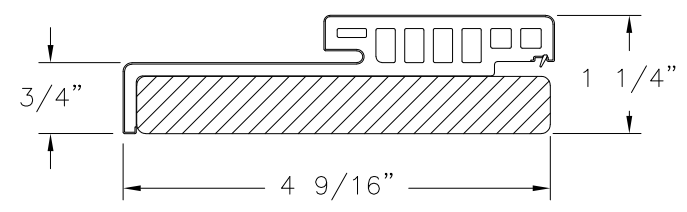
SAHARA INSWING THRESHOLD



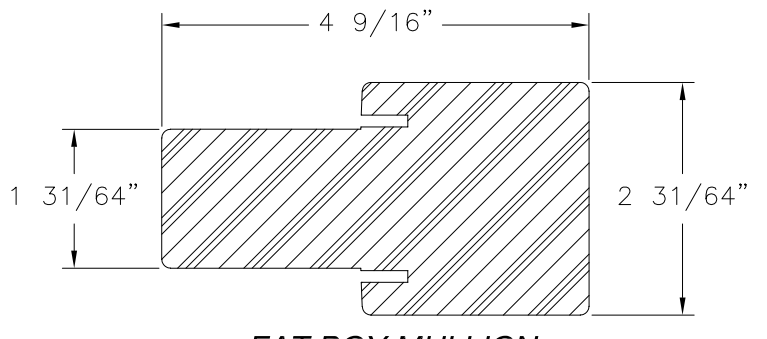
INSWING SILL ZAILH4565



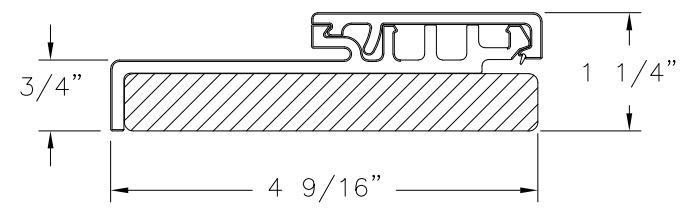
INSWING SILL ZACLH4565



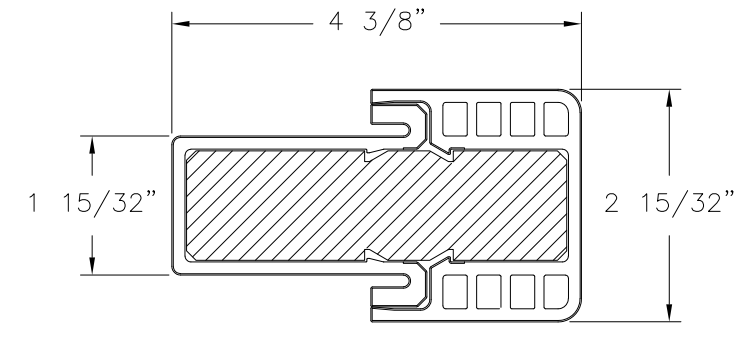
**HYBRID HEAD
WOOD/COMPOSITE**



**FAT BOY MULLION
COMPOSITE**



**HYBRID JAMB
WOOD/COMPOSITE**



**HYBRID FAT BOY MULLION
COMPOSITE**

SIGNED: 09/08/2021

PROVIA, LLC.
2150 STATE ROUTE 39 WEST
SUGARCREEK, OH 44681

STEEL/FIBERGLASS INSWING OPAQUE SINGLE DOOR
W/SIDELITES - IMPACT
COMPONENTS

DRAWN: N.G.	DWG NO. 08-02035	REV H
SCALE NTS	DATE 05/21/13	SHEET 15 OF 15

L. ROBERTO LOMAS P.E.
1432 WOODFORD RD LEWISVILLE, NC 27023
434-688-0609 rllomas@rlomaspe.com

Luis R. Lomas P.E.
FL No.: 62514