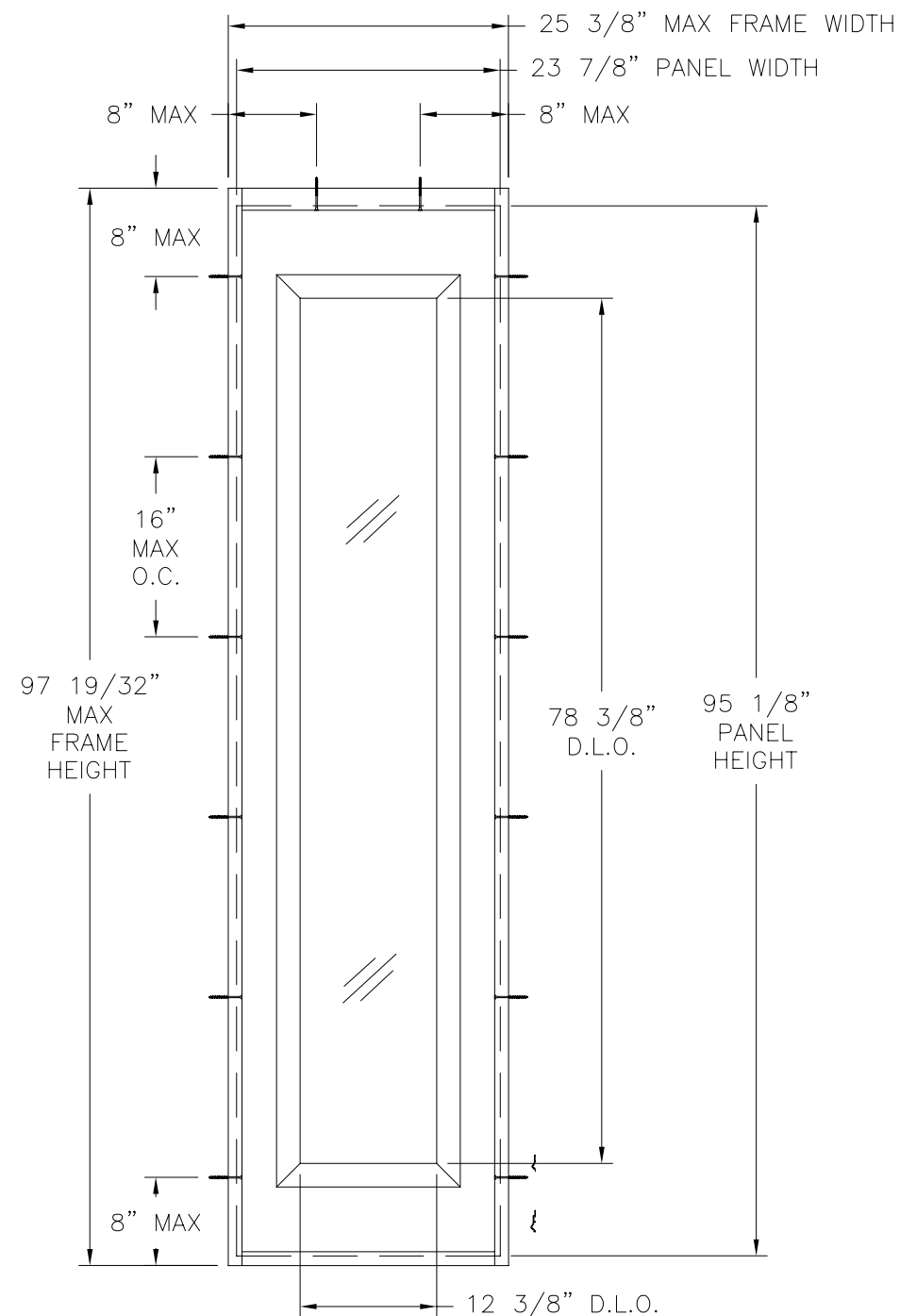


REVISIONS			
REV	DESCRIPTION	DATE	APPROVED
A	REVISED GLAZING DETAILS	07/30/13	R.L.



STEEL FIXED SIDELITE WINDOW
EXTERIOR VIEW

NOTES:

1. THE PRODUCT SHOWN HEREIN IS DESIGNED AND MANUFACTURED TO COMPLY WITH REQUIREMENTS OF THE FLORIDA BUILDING CODE.
2. WOOD FRAMING, METAL STRUCTURE AND MASONRY OPENING TO BE DESIGNED AND ANCHORED TO PROPERLY TRANSFER ALL LOADS TO STRUCTURE. FRAMING AND MASONRY OPENING IS THE RESPONSIBILITY OF THE ARCHITECT OR ENGINEER OF RECORD.
3. 1X BUCK OVER MASONRY/CONCRETE IS OPTIONAL. WHERE 1X BUCK IS NOT USED DISSIMILAR MATERIALS MUST BE SEPARATED WITH APPROVED COATING OR MEMBRANE. SELECTION OF COATING OR MEMBRANE IS THE RESPONSIBILITY OF THE ARCHITECT OR ENGINEER OF RECORD.
4. ALLOWABLE STRESS INCREASE OF 1/3 WAS NOT USED IN THE DESIGN OF THE PRODUCT SHOWN HEREIN. WIND LOAD DURATION FACTOR Cd=1.6 WAS USED FOR WOOD ANCHOR CALCULATIONS.
5. FRAME MATERIAL: COMPOSITE.
6. UNITS MUST BE GLAZED PER ASTM E1300-04, SEE SHEET 5 FOR GLASS OPTIONS.
7. APPROVED IMPACT PROTECTIVE SYSTEM IS NOT REQUIRED FOR THIS PRODUCT IN WIND BORNE DEBRIS REGIONS.
8. SHIM AS REQUIRED AT EACH INSTALLATION ANCHOR WITH LOAD BEARING SHIM. SHIM WHERE SPACE OF 1/16" OR GREATER OCCURS. MAXIMUM ALLOWABLE SHIM STACK TO BE 1/4".
9. FOR ANCHORING INTO WOOD FRAMING OR 2X BUCK USE #8 WOOD SCREWS WITH SUFFICIENT LENGTH TO ACHIEVE A 1 1/4" MINIMUM EMBEDMENT INTO SUBSTRATE. LOCATE ANCHORS AS SHOWN IN ELEVATIONS AND INSTALLATION DETAILS.
10. FOR ANCHORING INTO MASONRY/CONCRETE USE 3/16" TAPCONS WITH SUFFICIENT LENGTH TO ACHIEVE A 1 1/4" MINIMUM EMBEDMENT INTO SUBSTRATE WITH 2 1/2" MINIMUM EDGE DISTANCE. LOCATE ANCHORS AS SHOWN IN ELEVATIONS AND INSTALLATION DETAILS.
11. FOR ANCHORING INTO METAL STRUCTURE USE #8 SMS OR SELF DRILLING SCREWS WITH SUFFICIENT LENGTH TO ACHIEVE 3 THREADS MINIMUM BEYOND STRUCTURE INTERIOR WALL. LOCATE ANCHORS AS SHOWN IN ELEVATIONS AND INSTALLATION DETAILS.
12. ALL FASTENERS TO BE CORROSION RESISTANT.
13. INSTALLATION ANCHORS SHALL BE INSTALLED IN ACCORDANCE WITH ANCHOR MANUFACTURER'S INSTALLATION INSTRUCTIONS AND ANCHORS SHALL NOT BE USED IN SUBSTRATES WITH STRENGTHS LESS THAN THE MINIMUM STRENGTH SPECIFIED BELOW:
 A. WOOD – MINIMUM SPECIFIC GRAVITY OF G=0.42
 B. CONCRETE – MINIMUM COMPRESSIVE STRENGTH OF 3,192 PSI.
 C. MASONRY – STRENGTH CONFORMANCE TO ASTM C-90, GRADE N, TYPE 1 (OR GREATER).
 D. METAL STRUCTURE: STEEL 18GA, 33KSI OR ALUMINUM 6063-T5 1/8" THICK MINIMUM

DESIGN PRESSURE RATING	IMPACT RATING
±55.0PSF	LARGE AND SMALL MISSILE IMPACT

MISSILE LEVEL D, WIND ZONE 3

TABLE OF CONTENTS	
SHEET NO.	DESCRIPTION
1	ELEVATION, ANCHORING AND NOTES
2	CROSS SECTIONS, B.O.M. AND GLAZING DETAIL
3 – 4	INSTALLATION DETAILS
5	COMPONENTS

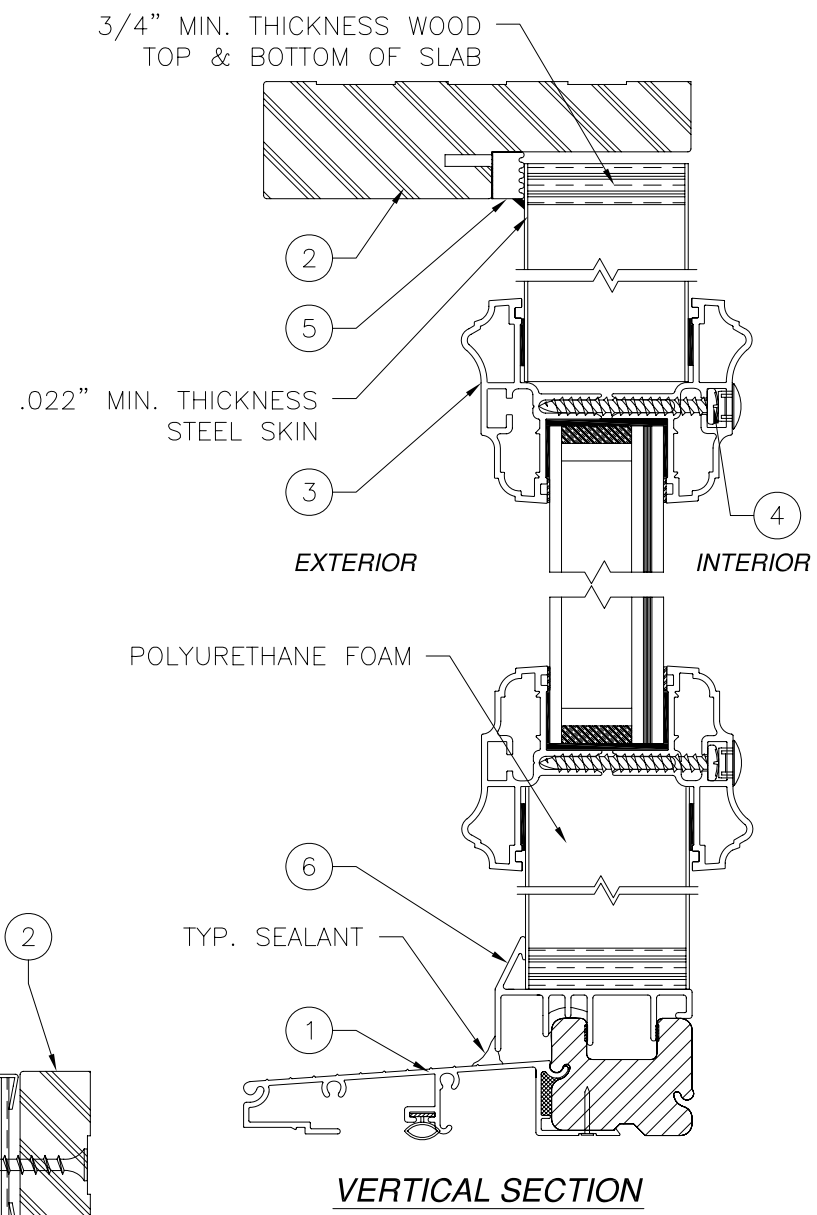
PROVIA DOOR, INC 2150 STATE ROUTE 39 SUGARCREEK, OH 44681		
STEEL FIXED SIDELITE WINDOW COMPOSITE – L.M.I. ELEVATION AND NOTES		
DRAWN: R.L.	DWG NO. 08-01912	REV A
SCALE NTS	DATE 02/06/13	SHEET 1 OF 5

SIGNED: 07/30/2013



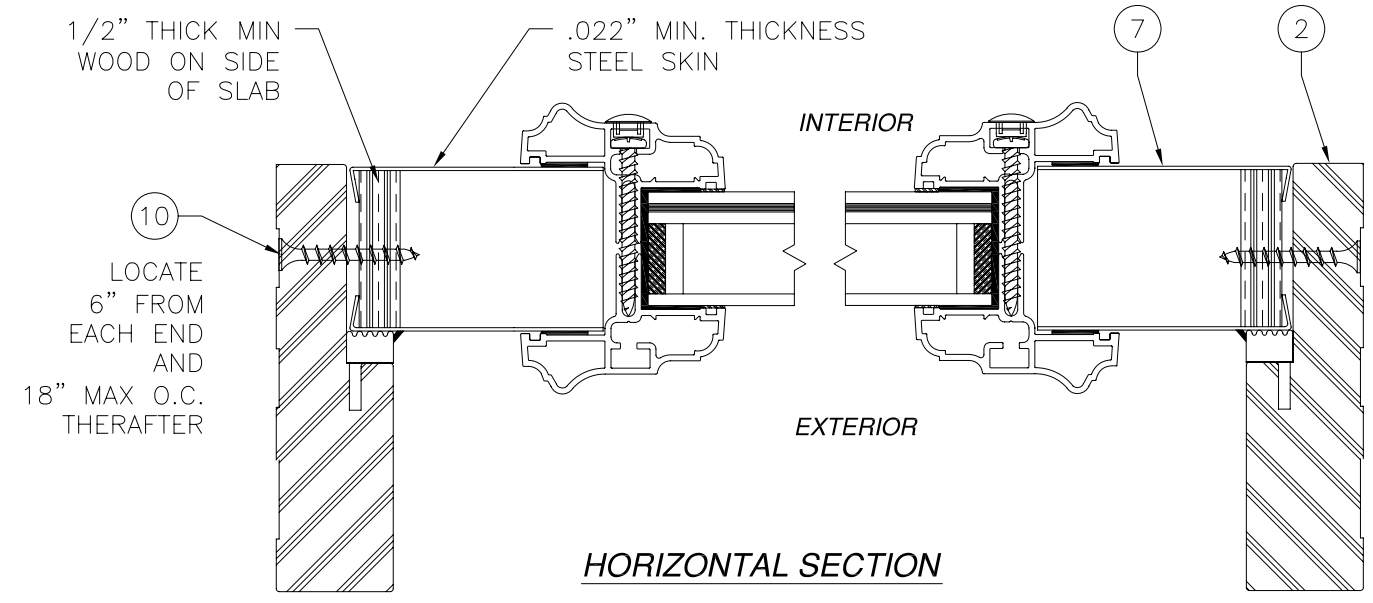
PARTS LIST				
NO.	PART NUMBER	DESCRIPTION	MANUFACTURER	MATERIAL
1	P-TH-TN24-70	THRESHOLD	ORRVILON	ALUMINUM
2	P-CJ-JXX-XXX	JAMB	PROVIA	COMPOSITE
3	P-SO-WT-A01X	HURRICANE GLASS TRIM		ALUMINUM
4	P-HW-FSNRZN-65	#10 WOOD SCREW 12 X 1 3/4		STEEL
5	P-WS-CCL-01	RIBBED GASKET SEAL		FOAM
6	P-TH-ENSS-00	SIDELITE SILL SUPPORT	OMEGA PLASTICS	PLASTIC
7		STANDARD SIDELITE SLAB	PROVIA	STEEL
8		#8 x 3" SCREW		STEEL
9		#6 x 1 1/2" SCREW		STEEL
10		#6 x 1 1/2" WOOD SCREW		STEEL

REVISIONS			
REV	DESCRIPTION	DATE	APPROVED
A	REVISED GLAZING DETAILS	07/30/13	R.L.



CORNER CONSTRUCTION:

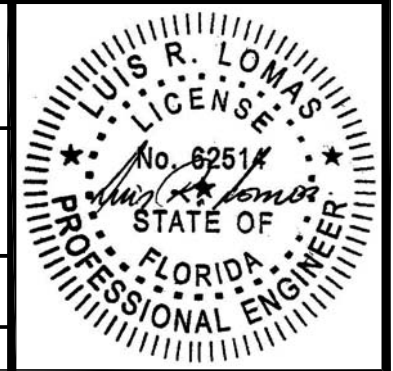
- JAMBS ARE ATTACHED TO SILL USING (3) #6 x 1 1/2" SCREWS (ITEM 9)
- JAMBS ARE ATTACHED TO HEAD USING (3) #8 x 3" SCREWS (ITEM 8)

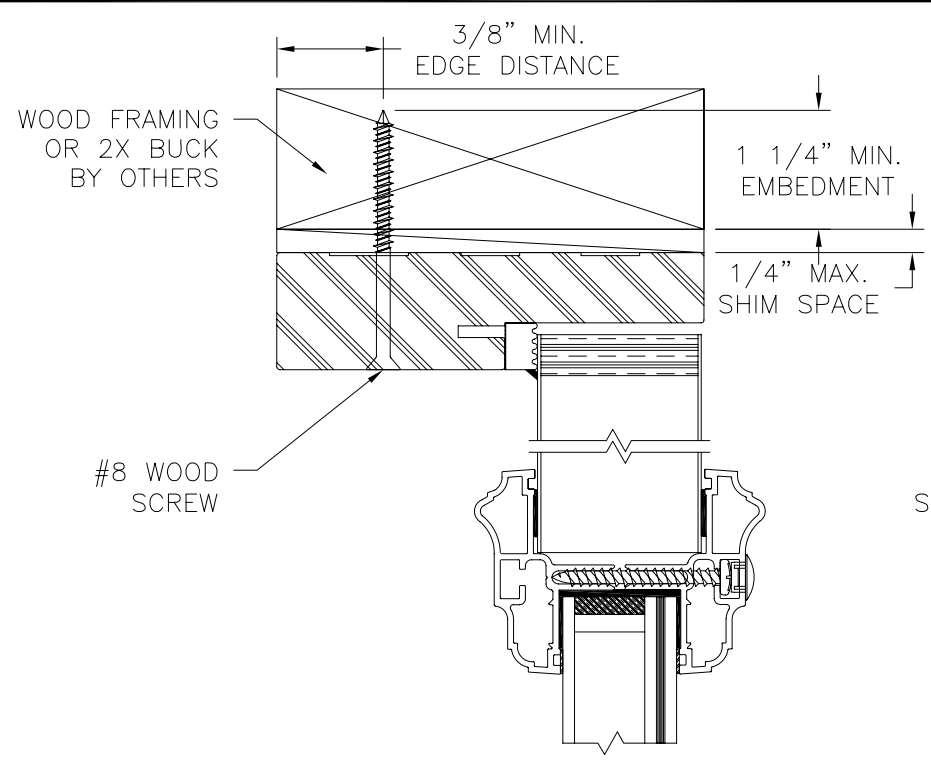


PROVIA DOOR, INC
 2150 STATE ROUTE 39
 SUGARCREEK, OH 44681

STEEL FIXED SIDELITE WINDOW
 COMPOSITE - L.M.I.
 CROSS SECTIONS, B.O.M. AND GLAZING DETAIL

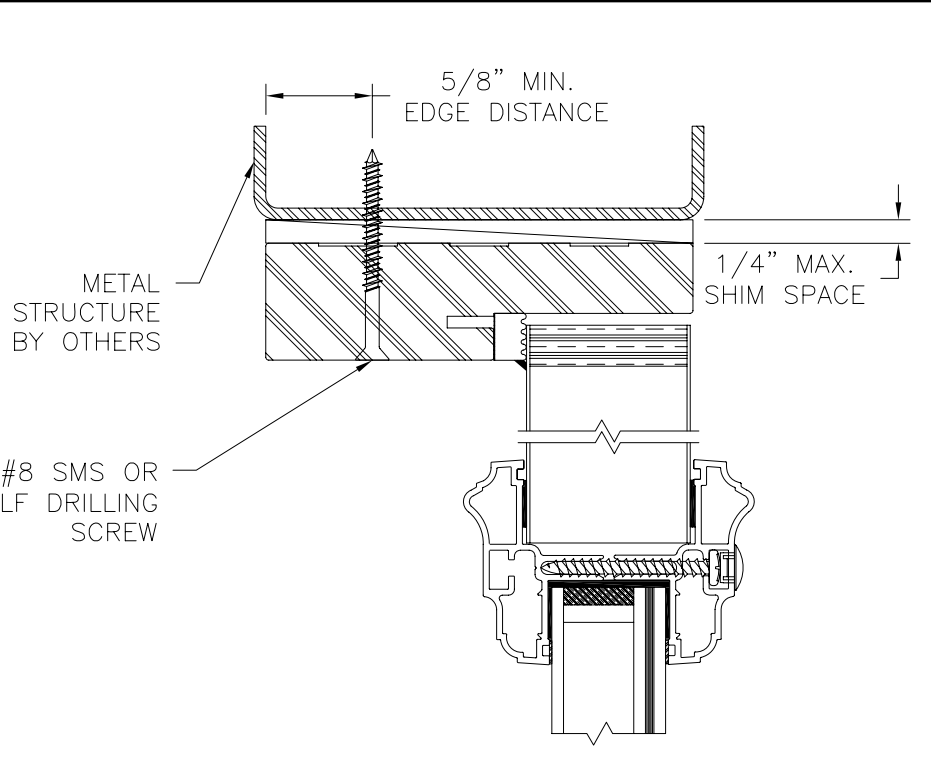
DRAWN: R.L.	DWG NO. 08-01912	REV A
SCALE NTS	DATE 02/06/13	SHEET 2 OF 5





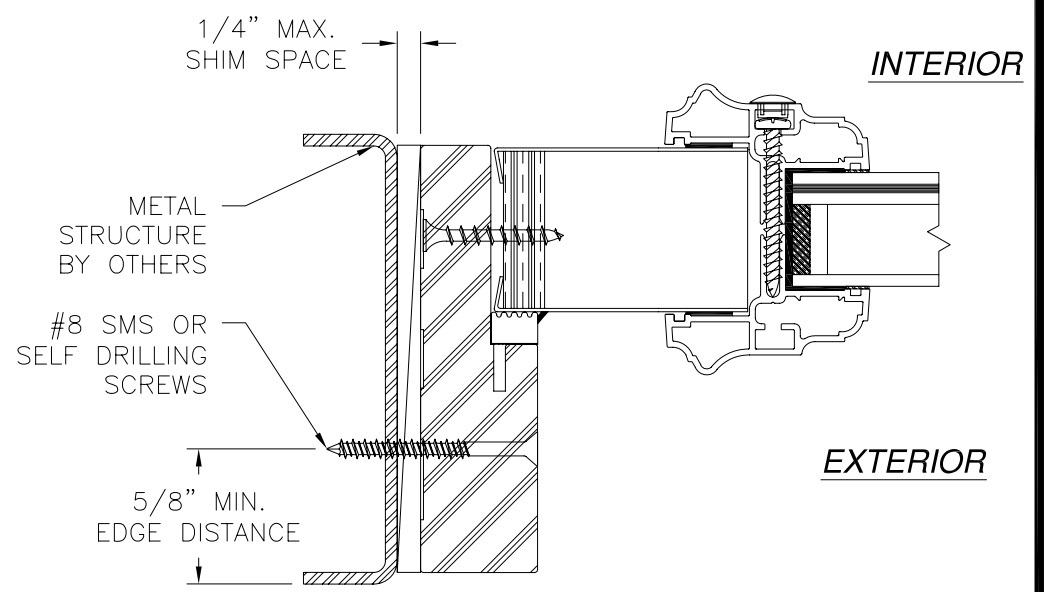
EXTERIOR

INTERIOR

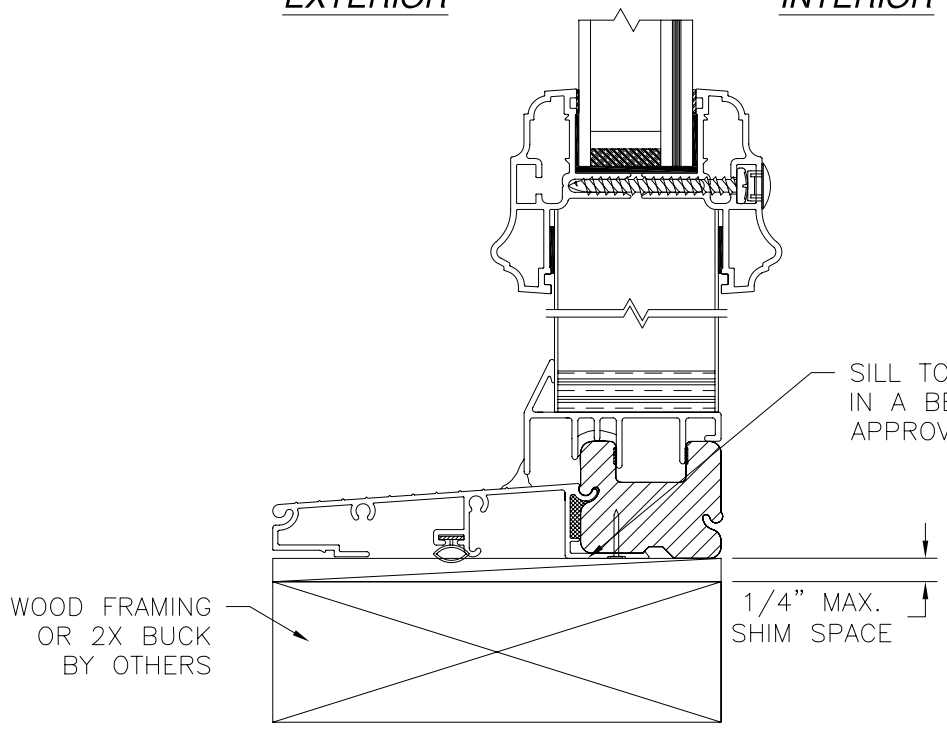


EXTERIOR

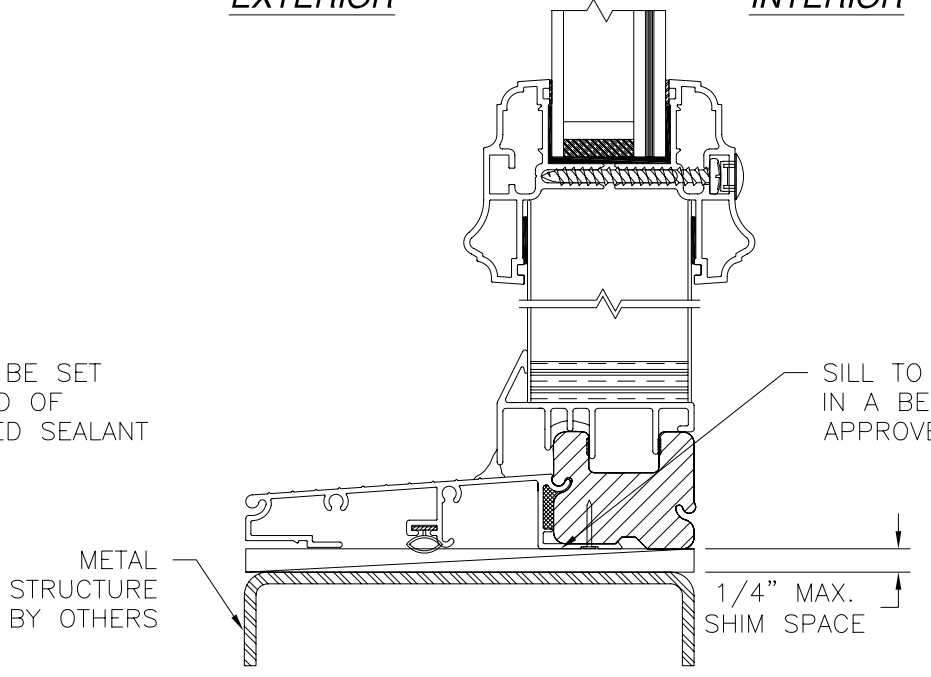
INTERIOR



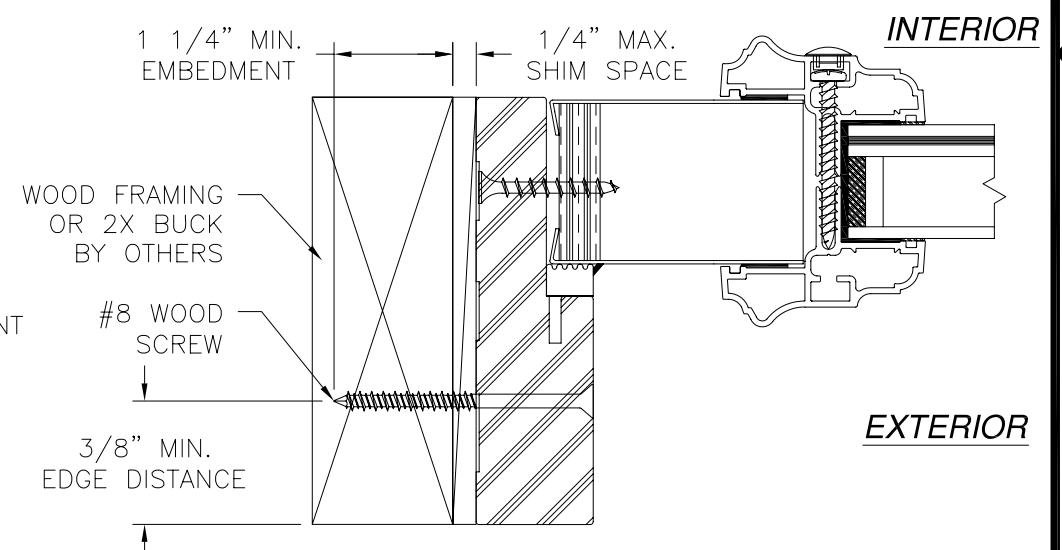
JAMB INSTALLATION DETAIL
METAL STRUCTURE INSTALLATION



VERTICAL CROSS SECTION
WOOD FRAMING OR 2X BUCK INSTALLATION



VERTICAL CROSS SECTION
METAL STRUCTURE INSTALLATION



JAMB INSTALLATION DETAIL
WOOD FRAMING OR 2X BUCK INSTALLATION

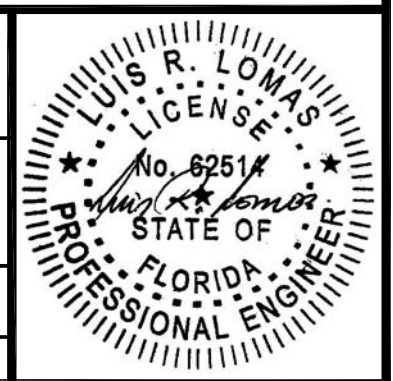
REVISIONS			
REV	DESCRIPTION	DATE	APPROVED
A	REVISED GLAZING DETAILS	07/30/13	R.L.

NOTE:
INTERIOR AND EXTERIOR FINISHES, BY OTHERS, NOT SHOWN FOR CLARITY.

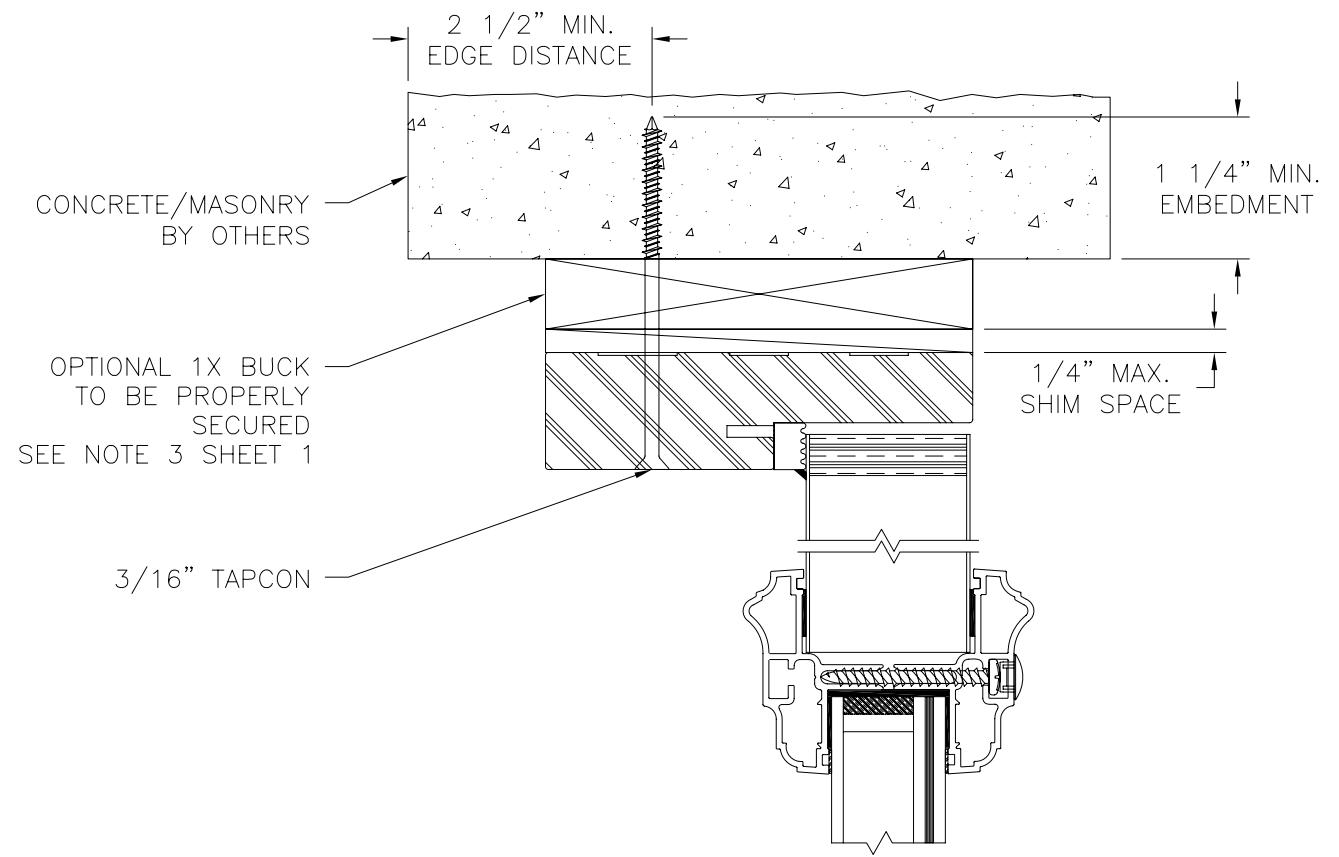
PROVIA DOOR, INC
2150 STATE ROUTE 39
SUGARCREEK, OH 44681

STEEL FIXED SIDELITE WINDOW
COMPOSITE - L.M.I.
INSTALLATION DETAILS

DRAWN: R.L.	DWG NO. 08-01912	REV A
SCALE NTS	DATE 02/06/13	SHEET 3 OF 5

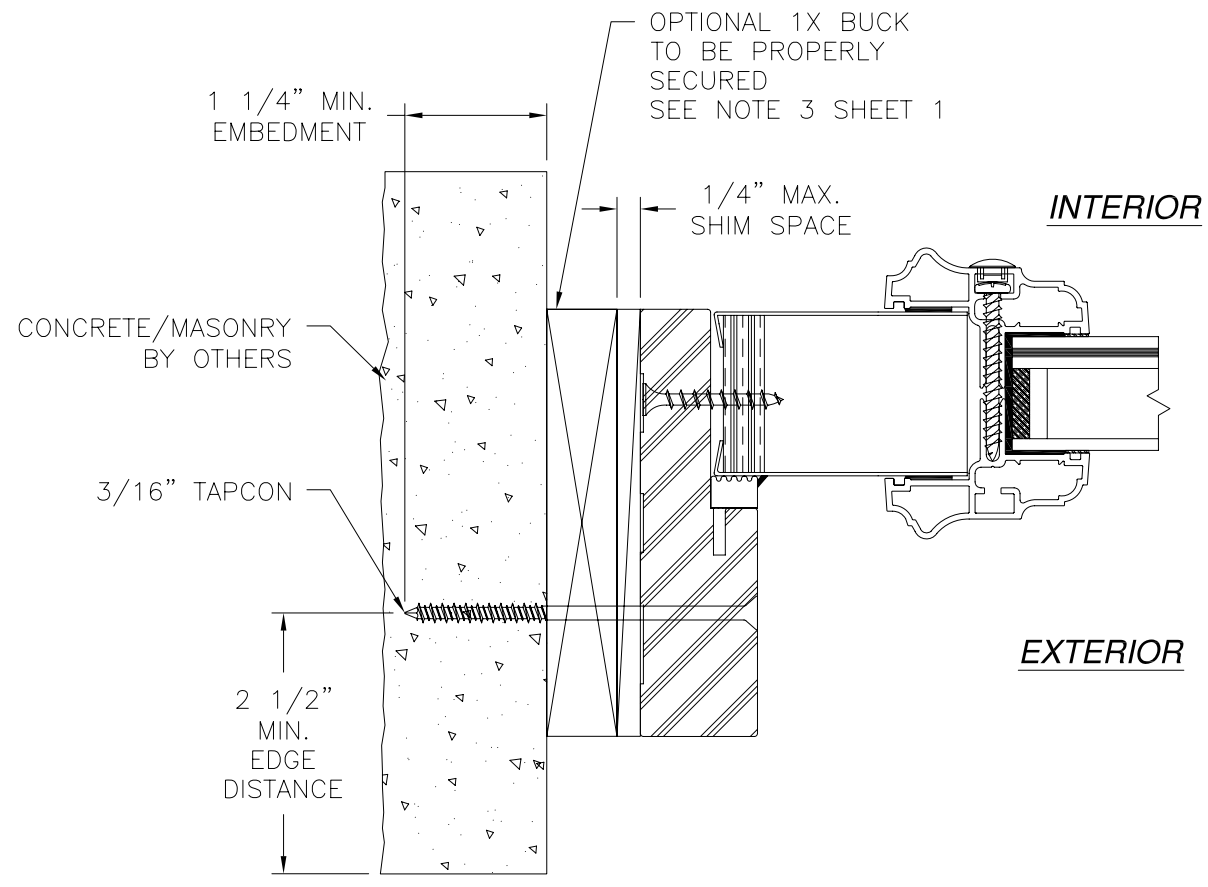


REVISIONS			
REV	DESCRIPTION	DATE	APPROVED
A	REVISED GLAZING DETAILS	07/30/13	R.L.



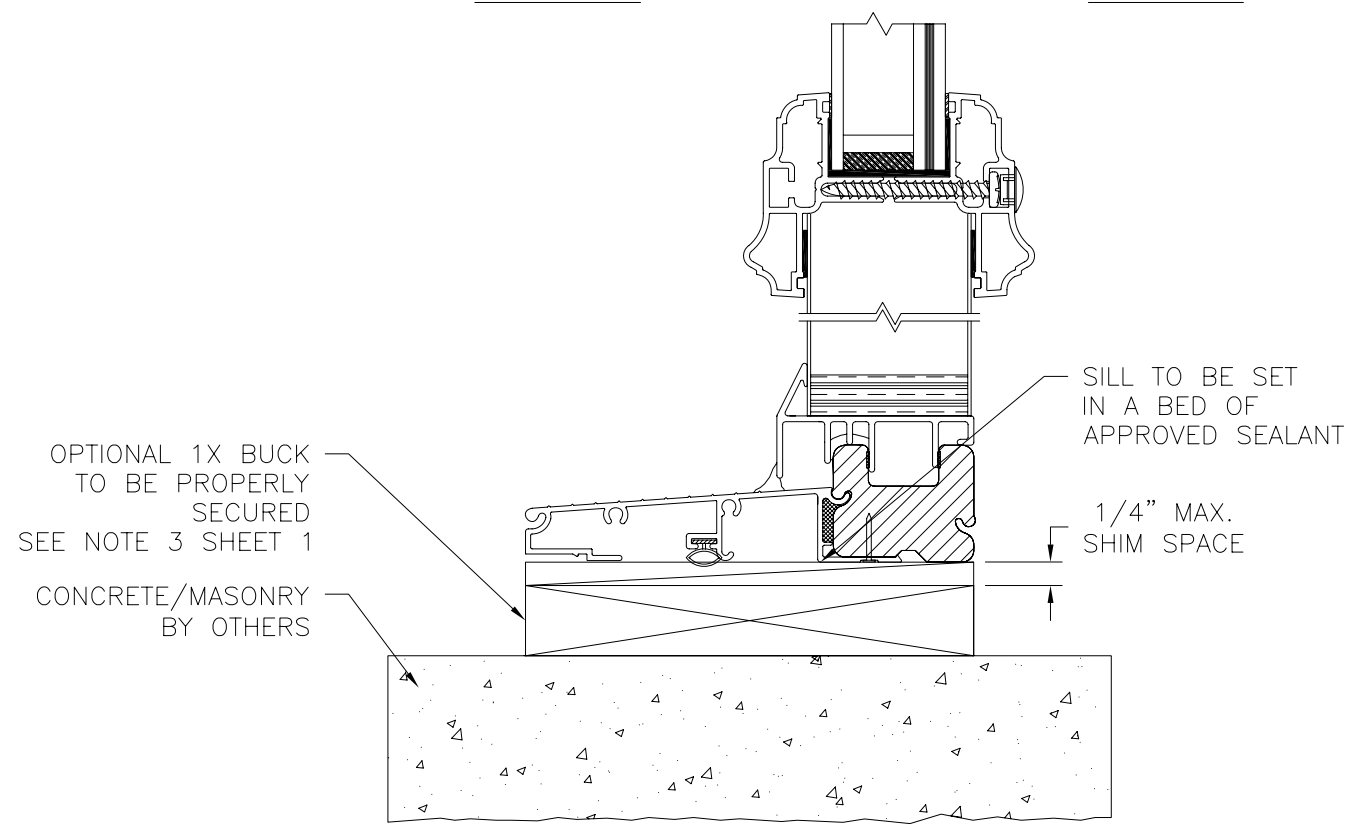
EXTERIOR

INTERIOR



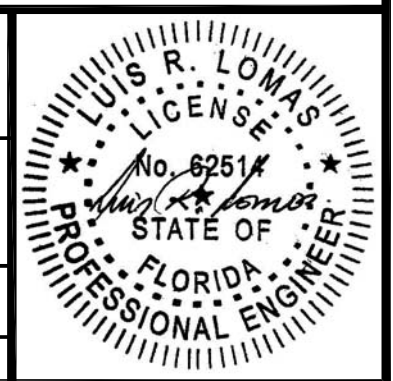
JAMB INSTALLATION DETAIL
CONCRETE/MASONRY INSTALLATION

NOTE:
INTERIOR AND EXTERIOR FINISHES, BY OTHERS, NOT SHOWN FOR CLARITY.

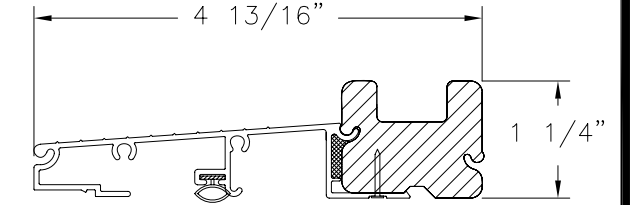
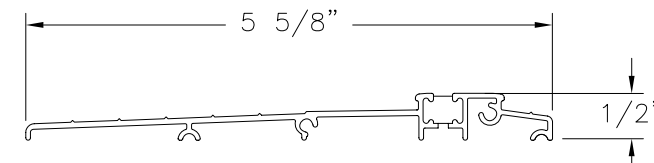
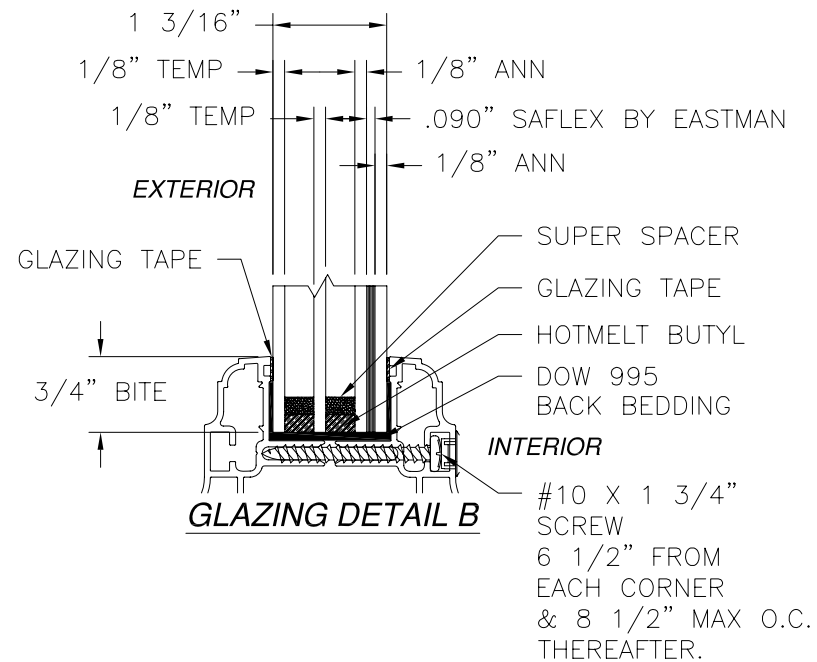
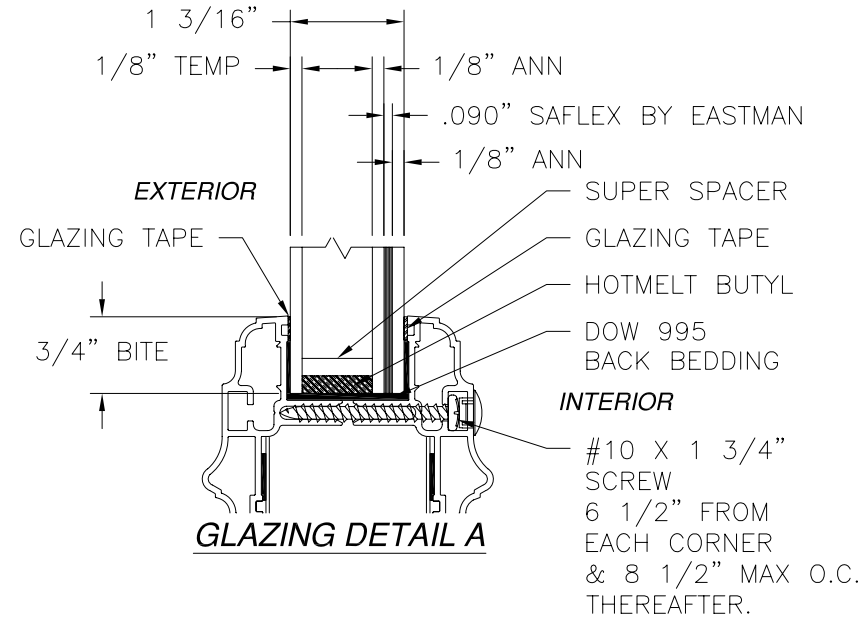


VERTICAL CROSS SECTION
CONCRETE/MASONRY INSTALLATION

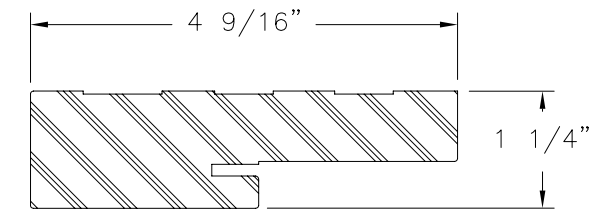
PROVIA DOOR, INC 2150 STATE ROUTE 39 SUGARCREEK, OH 44681		
STEEL FIXED SIDELITE WINDOW COMPOSITE - L.M.I. INSTALLATION DETAILS		
DRAWN: R.L.	DWG NO. 08-01912	REV A
SCALE NTS	DATE 02/06/13	SHEET 4 OF 5



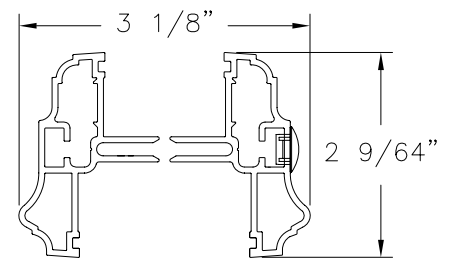
REVISIONS			
REV	DESCRIPTION	DATE	APPROVED
A	REVISED GLAZING DETAILS	07/30/13	R.L.



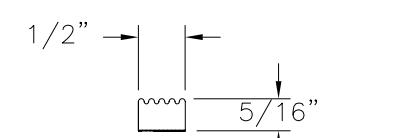
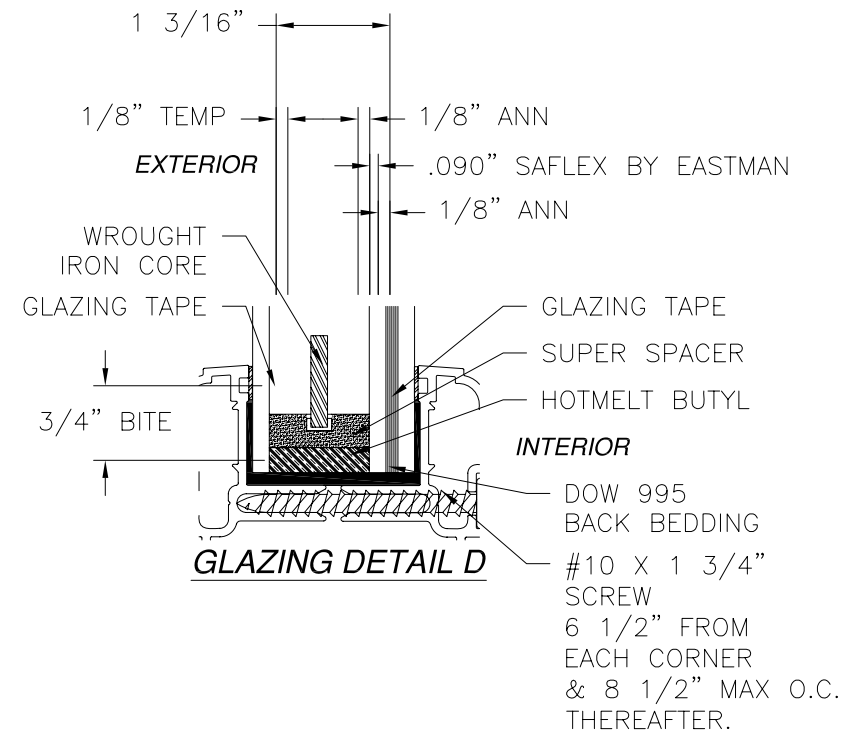
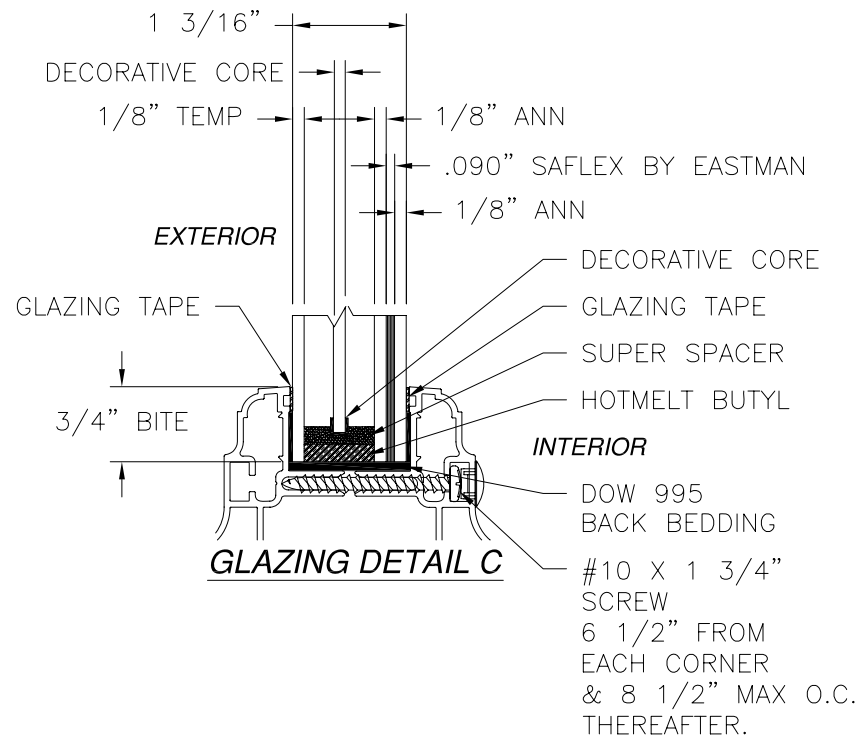
② **JAMB COMPOSITE**



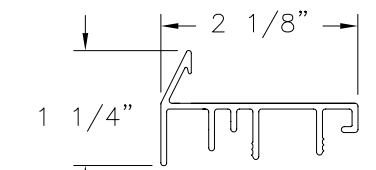
① **THRESHOLD ALUMINUM / PVC**



③ **GLASS TRIM ALUMINUM**



⑤ **RIBBED GASKET SEAL CLOSED CELL FOAM**



⑥ **SIDELITE SILL SUPPORT PLASTIC**

PROVIA DOOR, INC
 2150 STATE ROUTE 39
 SUGARCREEK, OH 44681

STEEL FIXED SIDELITE WINDOW
 COMPOSITE - L.M.I.
 COMPONENTS

DRAWN: R.L. DWG NO. 08-01912 REV A

SCALE NTS DATE 02/06/13 SHEET 5 OF 5

