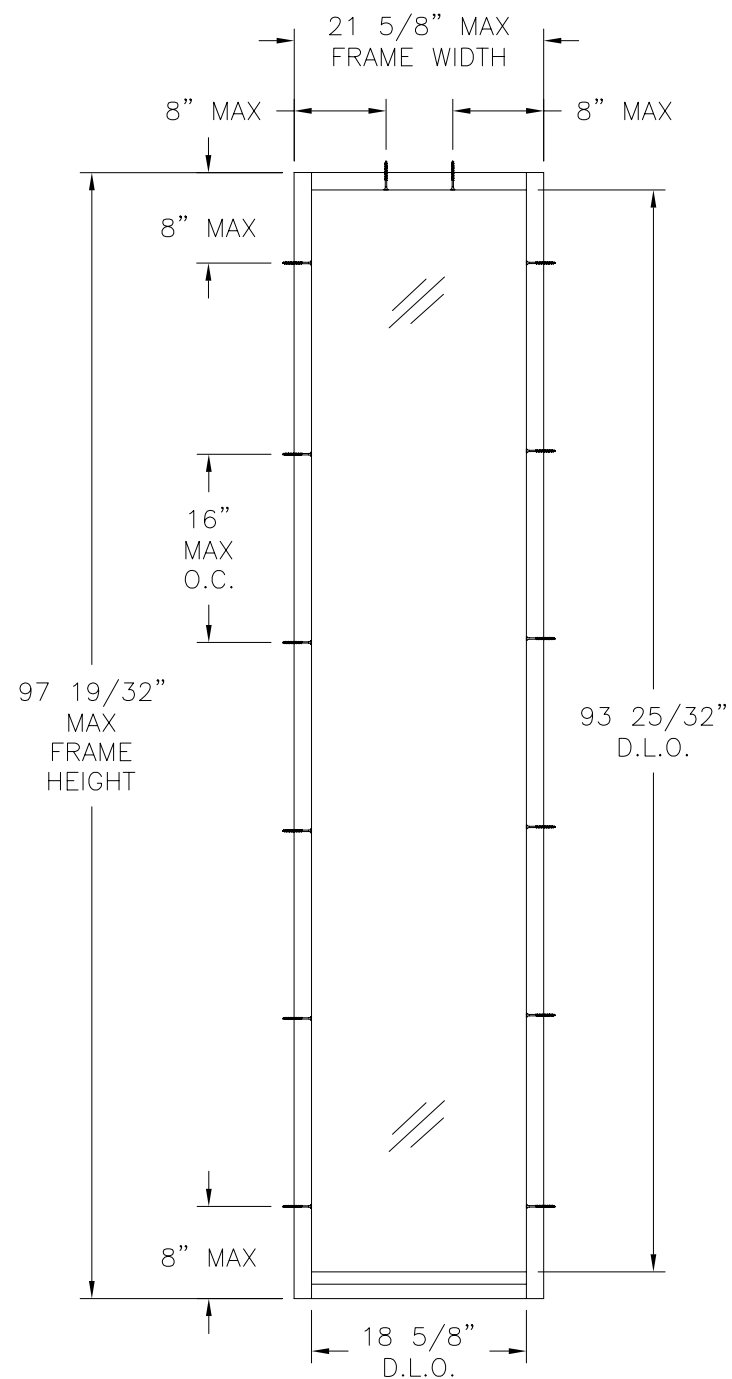


REVISIONS			
REV	DESCRIPTION	DATE	APPROVED



DIRECT SET SIDELITE
EXTERIOR VIEW

DESIGN PRESSURE RATING	IMPACT RATING
±55.0PSF	NONE

NOTES:

1. THE PRODUCT SHOWN HEREIN IS DESIGNED AND MANUFACTURED TO COMPLY WITH REQUIREMENTS OF THE FLORIDA BUILDING CODE.
2. WOOD FRAMING, METAL STRUCTURE AND MASONRY OPENING TO BE DESIGNED AND ANCHORED TO PROPERLY TRANSFER ALL LOADS TO STRUCTURE. FRAMING AND MASONRY OPENING IS THE RESPONSIBILITY OF THE ARCHITECT OR ENGINEER OF RECORD.
3. 1X BUCK OVER MASONRY/CONCRETE IS OPTIONAL. WHERE 1X BUCK IS NOT USED DISSIMILAR MATERIALS MUST BE SEPARATED WITH APPROVED COATING OR MEMBRANE. SELECTION OF COATING OR MEMBRANE IS THE RESPONSIBILITY OF THE ARCHITECT OR ENGINEER OF RECORD.
4. ALLOWABLE STRESS INCREASE OF 1/3 WAS NOT USED IN THE DESIGN OF THE PRODUCT SHOWN HEREIN. WIND LOAD DURATION FACTOR Cd=1.6 WAS USED FOR WOOD ANCHOR CALCULATIONS.
5. FRAME MATERIAL: COMPOSITE.
6. UNITS MUST BE GLAZED PER ASTM E1300-04, SEE SHEET 2 FOR GLASS OPTIONS.
7. APPROVED IMPACT PROTECTIVE SYSTEM IS REQUIRED FOR THIS PRODUCT IN WIND BORNE DEBRIS REGIONS.
8. SHIM AS REQUIRED AT EACH INSTALLATION ANCHOR WITH LOAD BEARING SHIM. SHIM WHERE SPACE OF 1/16" OR GREATER OCCURS. MAXIMUM ALLOWABLE SHIM STACK TO BE 1/4".
9. FOR ANCHORING INTO WOOD FRAMING OR 2X BUCK USE #8 WOOD SCREWS WITH SUFFICIENT LENGTH TO ACHIEVE A 1 1/4" MINIMUM EMBEDMENT INTO SUBSTRATE. LOCATE ANCHORS AS SHOWN IN ELEVATIONS AND INSTALLATION DETAILS.
10. FOR ANCHORING INTO MASONRY/CONCRETE USE 3/16" TAPCONS WITH SUFFICIENT LENGTH TO ACHIEVE A 1 1/4" MINIMUM EMBEDMENT INTO SUBSTRATE WITH 2 1/2" MINIMUM EDGE DISTANCE. LOCATE ANCHORS AS SHOWN IN ELEVATIONS AND INSTALLATION DETAILS.
11. FOR ANCHORING INTO METAL STRUCTURE USE #8 SMS OR SELF DRILLING SCREWS WITH SUFFICIENT LENGTH TO ACHIEVE 3 THREADS MINIMUM BEYOND STRUCTURE INTERIOR WALL. LOCATE ANCHORS AS SHOWN IN ELEVATIONS AND INSTALLATION DETAILS.
12. ALL FASTENERS TO BE CORROSION RESISTANT.
13. INSTALLATION ANCHORS SHALL BE INSTALLED IN ACCORDANCE WITH ANCHOR MANUFACTURER'S INSTALLATION INSTRUCTIONS AND ANCHORS SHALL NOT BE USED IN SUBSTRATES WITH STRENGTHS LESS THAN THE MINIMUM STRENGTH SPECIFIED BELOW:
 - A. WOOD – MINIMUM SPECIFIC GRAVITY OF G=0.42
 - B. CONCRETE – MINIMUM COMPRESSIVE STRENGTH OF 3,192 PSI.
 - C. MASONRY – STRENGTH CONFORMANCE TO ASTM C-90, GRADE N, TYPE 1 (OR GREATER).
 - D. METAL STRUCTURE: STEEL 18GA, 33KSI OR ALUMINUM 6063-T5 1/8" THICK MINIMUM

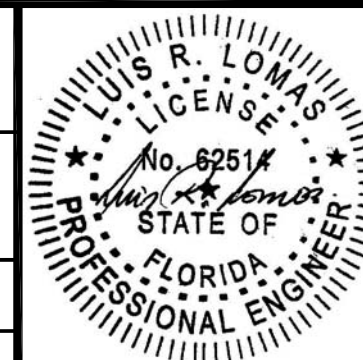
TABLE OF CONTENTS	
SHEET NO.	DESCRIPTION
1	ELEVATION, ANCHORING AND NOTES
2	CROSS SECTIONS, B.O.M. AND GLAZING DETAIL
3 – 4	INSTALLATION DETAILS
5	COMPONENTS

PROVIA DOOR, INC
2150 STATE ROUTE 39
SUGARCREEK, OH 44681

DIRECT SET SIDELITE
COMPOSITE – NON IMPACT
ELEVATION AND NOTES

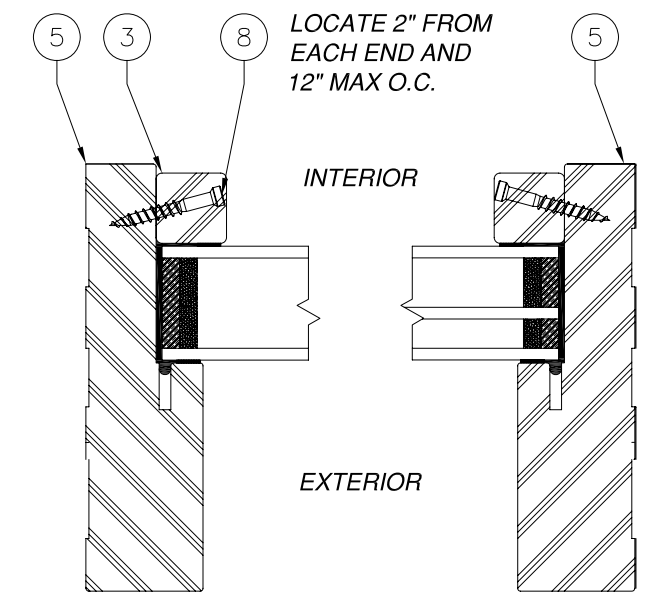
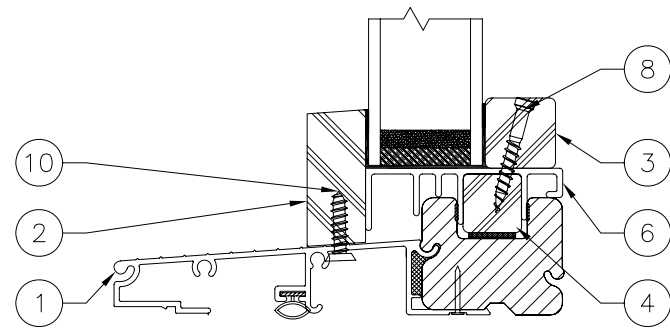
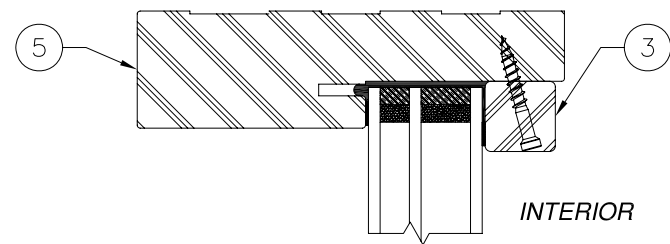
DRAWN: N.G.	DWG NO. 08-02105	REV -
SCALE NTS	DATE 07/01/13	SHEET 1 OF 5

SIGNED: 07/01/2013

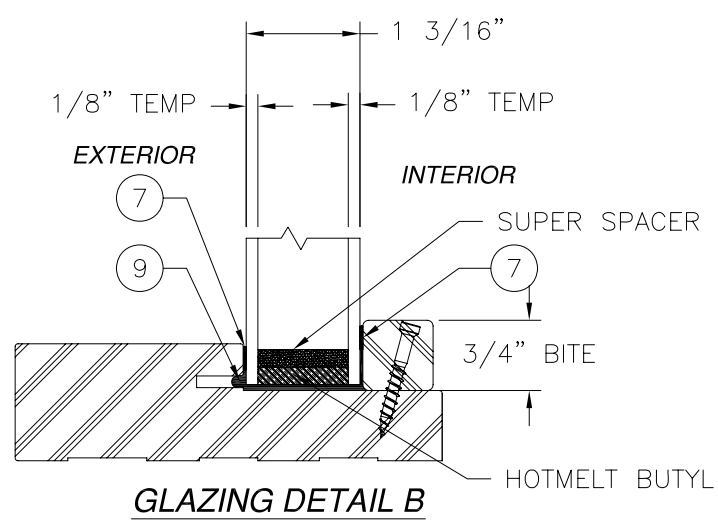
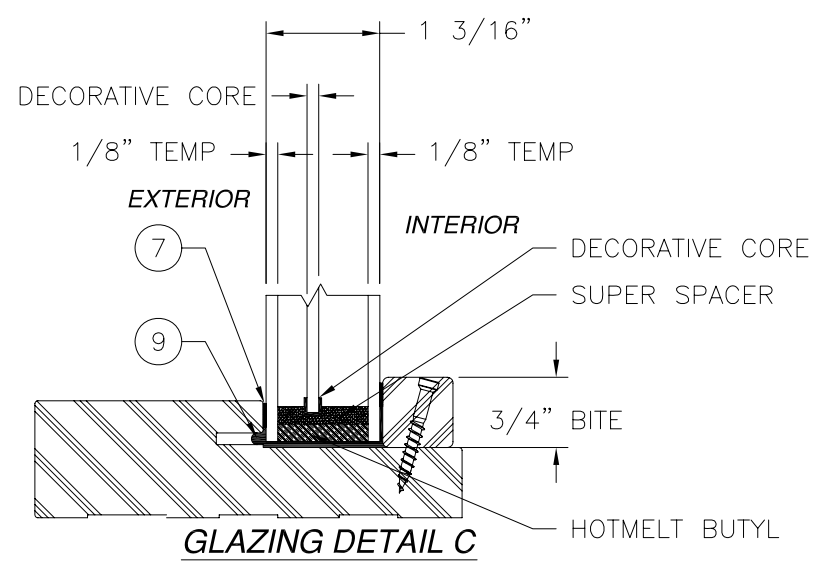
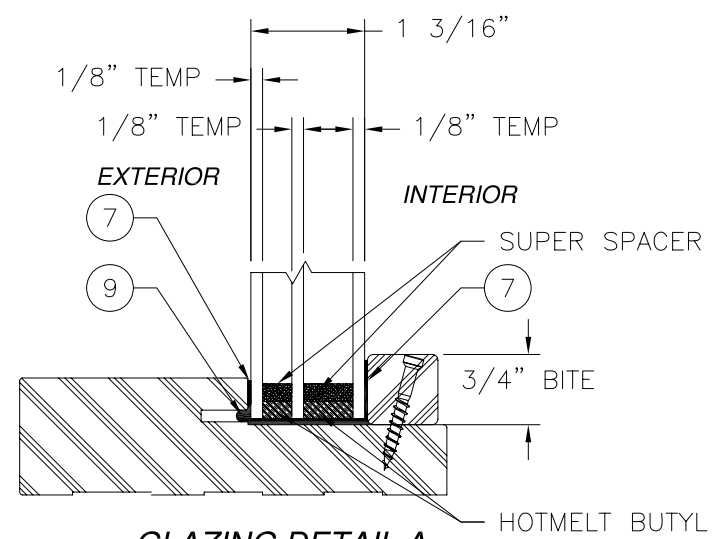


PARTS LIST				
NO.	PART NUMBER	DESCRIPTION	MANUFACTURER	MATERIAL
1	P-TH-TN24-70	THRESHOLD	ORRVILON	ALUMINUM 6063-T6
2	P-WJ-C80-010	EXTERIOR GLASS STOP		COMPOSITE
3	P-CJ-XXX-XXX	INTERIOR GLASS STOP		COMPOSITE
4		FILLER BLOCK		COMPOSITE
5	P-CJ-JXX-XXX	JAMB		COMPOSITE
6	P-TH-ENSS-00	SIDELITE SILL SUPPORT	OMEGA PLASTICS	PLASTIC
7	P-WS-CCL-06	GLAZING TAPE - 1/8" x 1/4"		FOAM
8	P-HW-FSNRBL-10	TRIM HEAD WOOD SCREW #6 X 1"		STEEL
9	P-SE-00-09	995 STRUCTURAL SEALANT	DOW	SEALANT
10		#6 x 1" WOOD SCREW		STEEL
11	WC-20-12-03002	ADA THRESHOLD	ENDURA	ALUMINUM 6063-T6

REVISIONS			
REV	DESCRIPTION	DATE	APPROVED



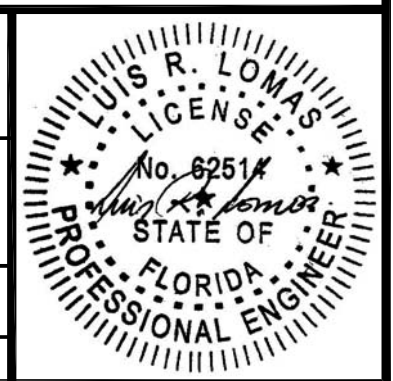
HORIZONTAL SECTION



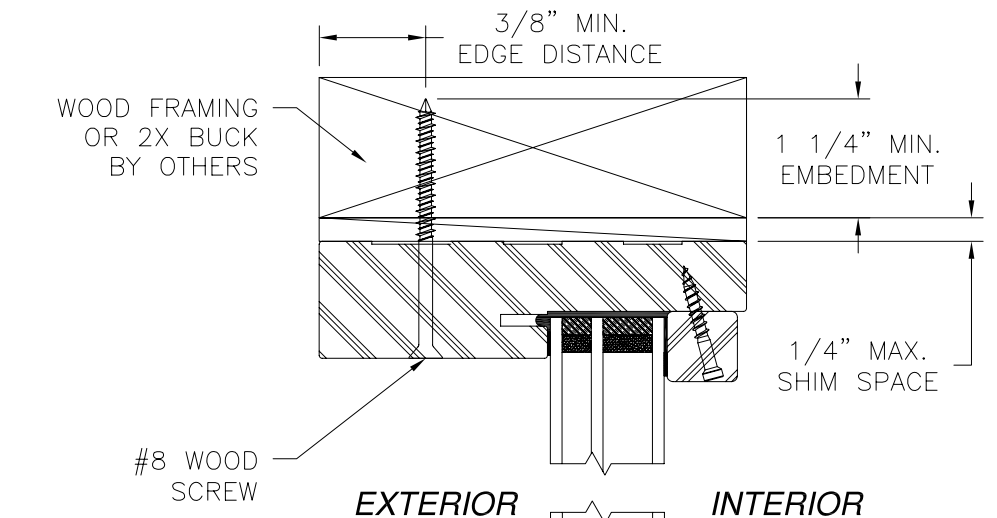
PROVIA DOOR, INC
 2150 STATE ROUTE 39
 SUGARCREEK, OH 44681

DIRECT SET SIDELITE
 COMPOSITE - NON IMPACT
 CROSS SECTIONS, B.O.M. AND GLAZING DETAILS

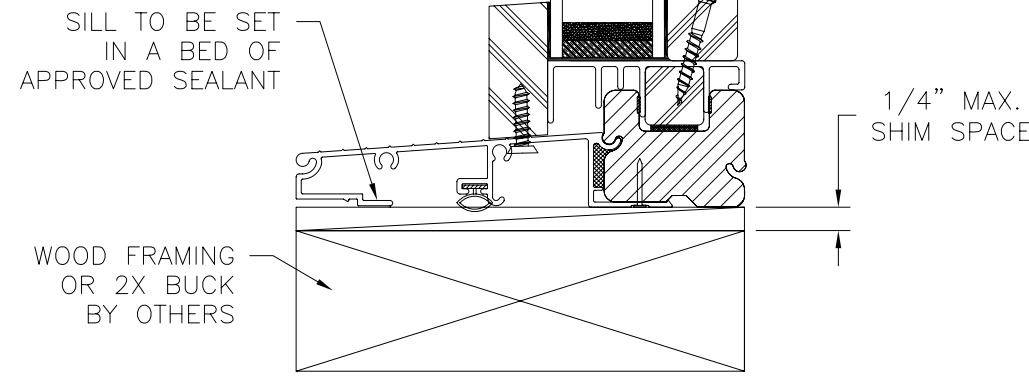
DRAWN: N.G.	DWG NO. 08-02105	REV -
SCALE NTS	DATE 07/01/13	SHEET 2 OF 5



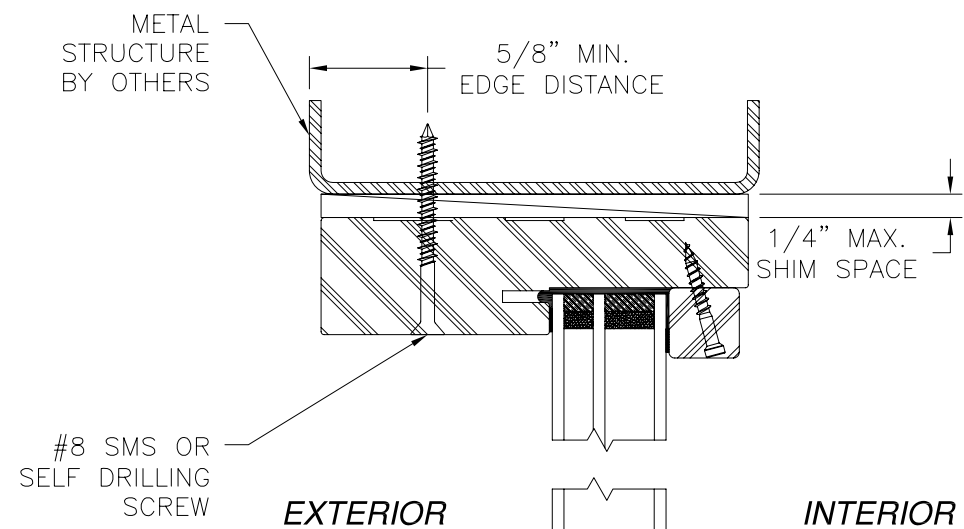
REVISIONS			
REV	DESCRIPTION	DATE	APPROVED



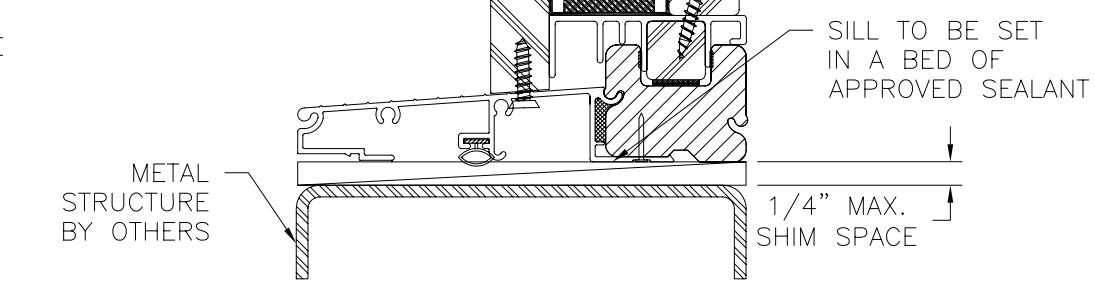
EXTERIOR INTERIOR



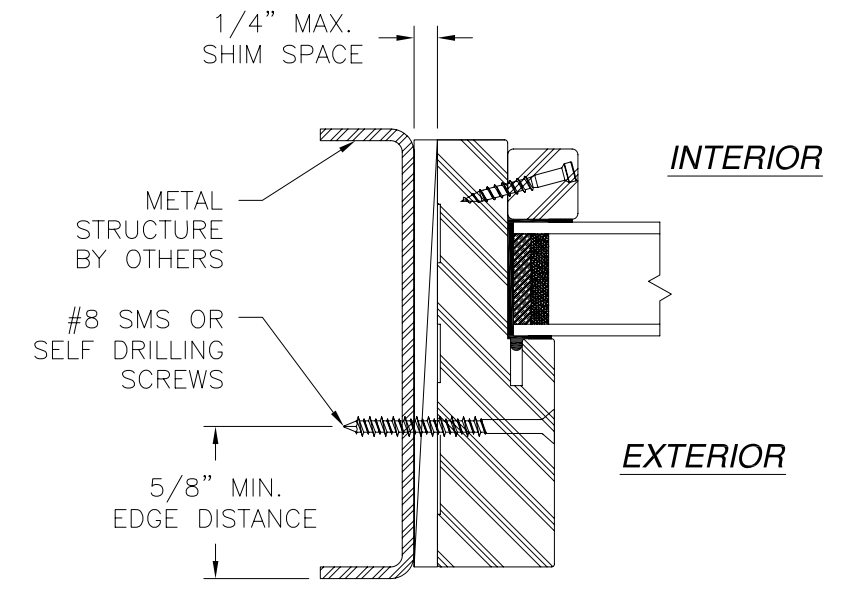
VERTICAL CROSS SECTION
WOOD FRAMING OR 2X BUCK INSTALLATION



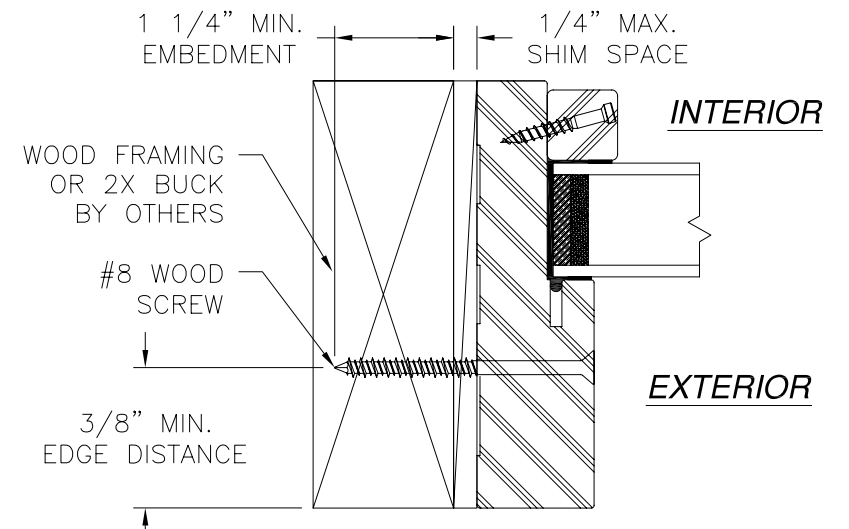
EXTERIOR INTERIOR



VERTICAL CROSS SECTION
METAL STRUCTURE INSTALLATION



JAMB INSTALLATION DETAIL
METAL STRUCTURE INSTALLATION



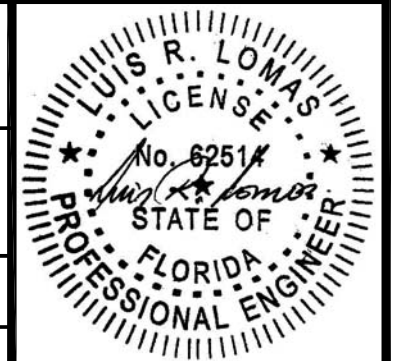
JAMB INSTALLATION DETAIL
WOOD FRAMING OR 2X BUCK INSTALLATION

NOTE:
INTERIOR AND EXTERIOR FINISHES, BY OTHERS, NOT SHOWN FOR CLARITY.

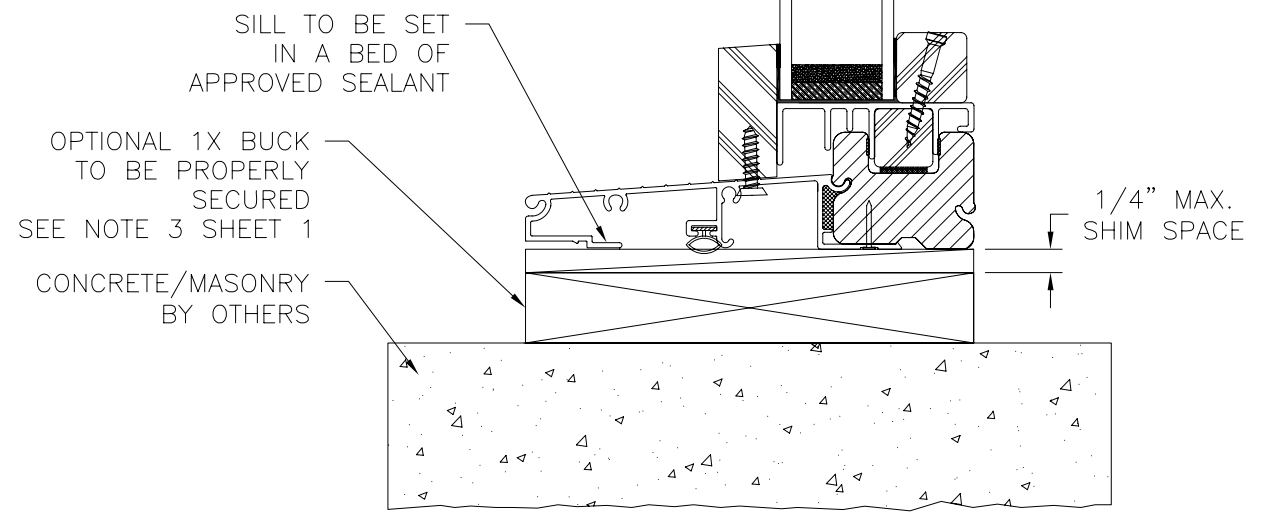
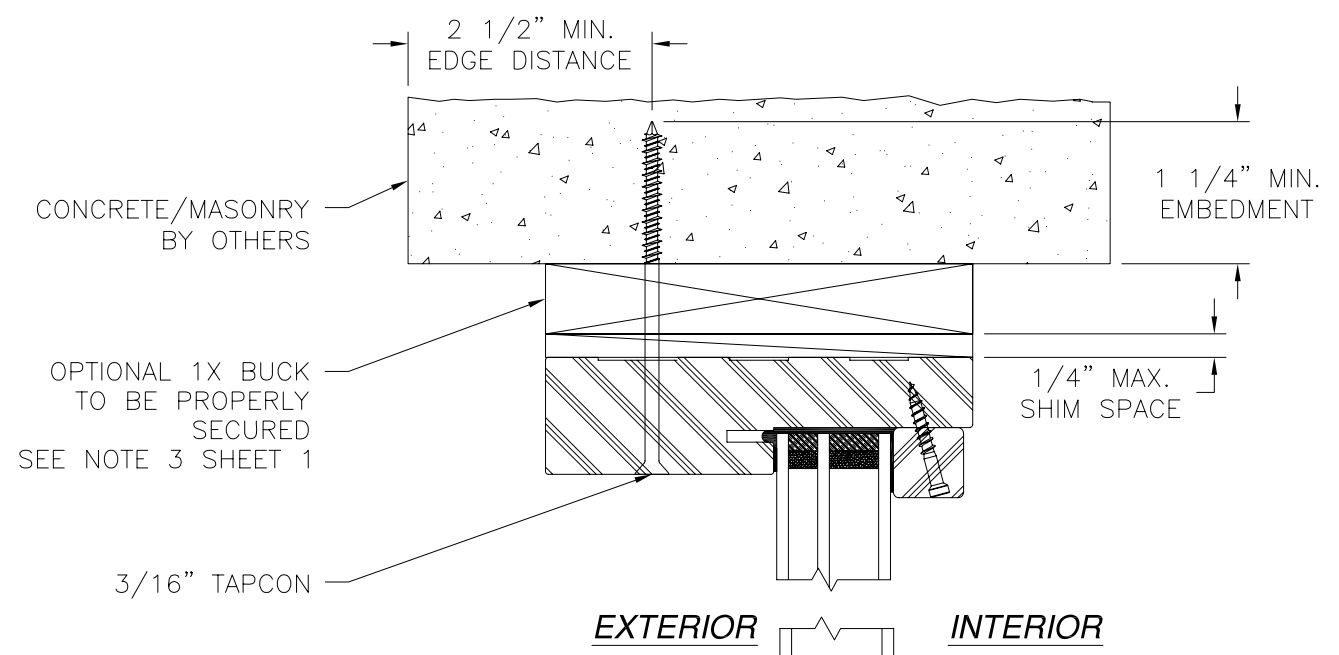
PROVIA DOOR, INC
2150 STATE ROUTE 39
SUGARCREEK, OH 44681

DIRECT SET SIDELITE
COMPOSITE - NON IMPACT
INSTALLATION DETAILS

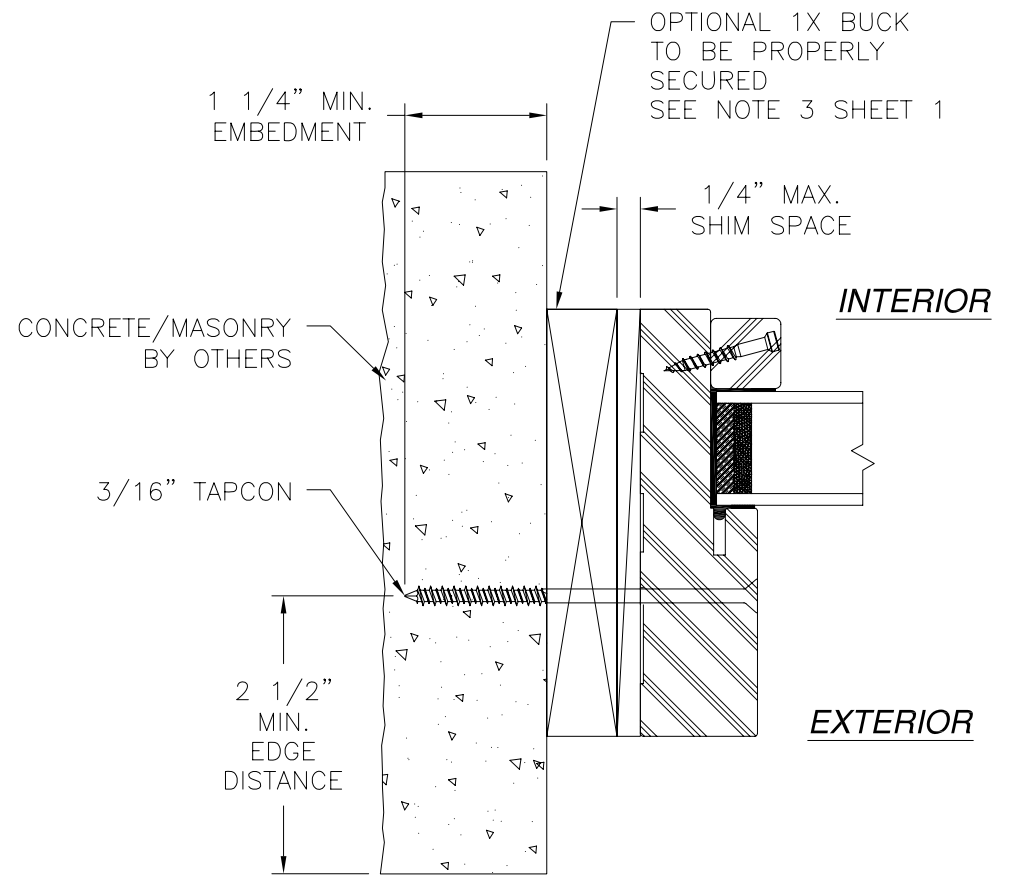
DRAWN: N.G.	DWG NO. 08-02105	REV -
SCALE NTS	DATE 07/01/13	SHEET 3 OF 5



REVISIONS			
REV	DESCRIPTION	DATE	APPROVED



VERTICAL CROSS SECTION
CONCRETE/MASONRY INSTALLATION



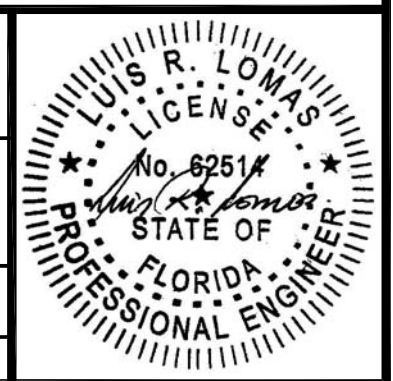
JAMB INSTALLATION DETAIL
CONCRETE/MASONRY INSTALLATION

NOTE:
INTERIOR AND EXTERIOR FINISHES, BY OTHERS, NOT SHOWN FOR CLARITY.

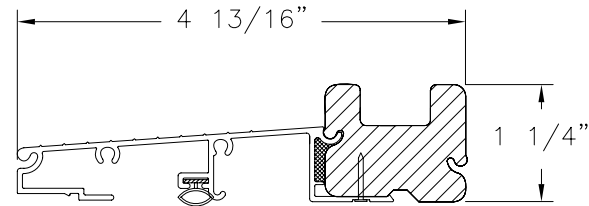
PROVIA DOOR, INC
2150 STATE ROUTE 39
SUGARCREEK, OH 44681

DIRECT SET SIDELITE
COMPOSITE - NON IMPACT
INSTALLATION DETAILS

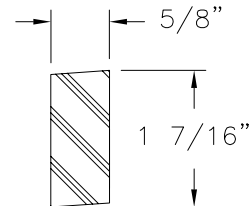
DRAWN: N.G.	DWG NO. 08-02105	REV -
SCALE NTS	DATE 07/01/13	SHEET 4 OF 5



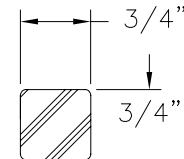
REVISIONS			
REV	DESCRIPTION	DATE	APPROVED



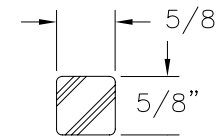
① **THRESHOLD**
ALUMINUM / PVC



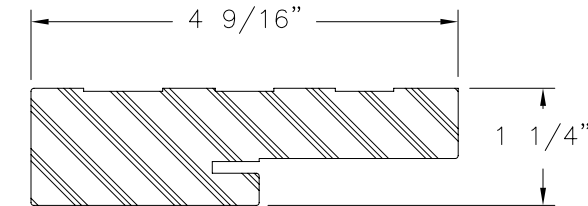
② **EXTERIOR GLASS TRIM**
COMPOSITE



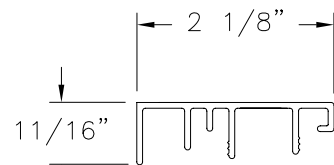
③ **INTERIOR GLASS STOP**
COMPOSITE



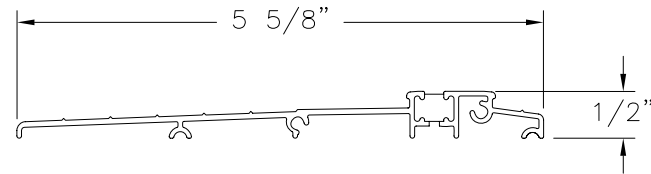
④ **FILLER BLOCK**
COMPOSITE



⑤ **JAMB**
COMPOSITE



⑥ **SIDELITE SILL SUPPORT**
PLASTIC



⑪ **ADA THRESHOLD**

PROVIA DOOR, INC 2150 STATE ROUTE 39 SUGARCREEK, OH 44681		
DIRECT SET SIDELITE COMPOSITE – NON IMPACT COMPONENTS		
DRAWN: N.G.	DWG NO. 08-02105	REV -
SCALE NTS	DATE 07/01/13	SHEET 5 OF 5

