

REVISIONS			
REV	DESCRIPTION	DATE	APPROVED

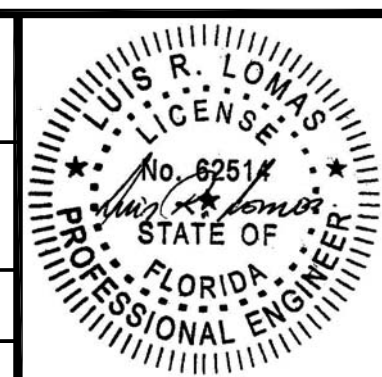
NOTES:

1. THE PRODUCT SHOWN HEREIN IS DESIGNED AND MANUFACTURED TO COMPLY WITH REQUIREMENTS OF THE FLORIDA BUILDING CODE.
2. WOOD FRAMING, METAL STRUCTURE AND MASONRY OPENING TO BE DESIGNED AND ANCHORED TO PROPERLY TRANSFER ALL LOADS TO STRUCTURE. FRAMING AND MASONRY OPENING IS THE RESPONSIBILITY OF THE ARCHITECT OR ENGINEER OF RECORD.
3. 1X BUCK OVER MASONRY/CONCRETE IS OPTIONAL. WHERE 1X BUCK IS NOT USED DISSIMILAR MATERIALS MUST BE SEPARATED WITH APPROVED COATING OR MEMBRANE. SELECTION OF COATING OR MEMBRANE IS THE RESPONSIBILITY OF THE ARCHITECT OR ENGINEER OF RECORD.
4. ALLOWABLE STRESS INCREASE OF 1/3 WAS NOT USED IN THE DESIGN OF THE PRODUCT SHOWN HEREIN. WIND LOAD DURATION FACTOR Cd=1.6 WAS USED FOR WOOD ANCHOR CALCULATIONS.
5. FRAME MATERIAL: COMPOSITE.
6. UNITS MUST BE GLAZED PER ASTM E1300-04, SEE SHEET 3 FOR GLASS DETAILS.
7. APPROVED IMPACT PROTECTIVE SYSTEM IS REQUIRED FOR THIS PRODUCT IN WIND BORNE DEBRIS REGIONS.
8. SHIM AS REQUIRED AT EACH INSTALLATION ANCHOR WITH LOAD BEARING SHIM. SHIM WHERE SPACE OF 1/16" OR GREATER OCCURS. MAXIMUM ALLOWABLE SHIM STACK TO BE 1/4".
9. FOR ANCHORING INTO WOOD FRAMING OR 2X BUCK USE #8 WOOD SCREWS WITH SUFFICIENT LENGTH TO ACHIEVE A 1 1/4" MINIMUM EMBEDMENT INTO SUBSTRATE. LOCATE ANCHORS AS SHOWN IN ELEVATIONS AND INSTALLATION DETAILS.
10. FOR ANCHORING INTO MASONRY/CONCRETE USE 3/16" TAPCONS WITH SUFFICIENT LENGTH TO ACHIEVE A 1 1/4" MINIMUM EMBEDMENT INTO SUBSTRATE WITH 2 1/2" MINIMUM EDGE DISTANCE. LOCATE ANCHORS AS SHOWN IN ELEVATIONS AND INSTALLATION DETAILS.
11. FOR ANCHORING INTO METAL STRUCTURE USE #8 SMS OR SELF DRILLING SCREWS WITH SUFFICIENT LENGTH TO ACHIEVE 3 THREADS MINIMUM BEYOND STRUCTURE INTERIOR WALL. LOCATE ANCHORS AS SHOWN IN ELEVATIONS AND INSTALLATION DETAILS.
12. ALL FASTENERS TO BE CORROSION RESISTANT.
13. INSTALLATION ANCHORS SHALL BE INSTALLED IN ACCORDANCE WITH ANCHOR MANUFACTURER'S INSTALLATION INSTRUCTIONS AND ANCHORS SHALL NOT BE USED IN SUBSTRATES WITH STRENGTHS LESS THAN THE MINIMUM STRENGTH SPECIFIED BELOW:
 - A. WOOD - MINIMUM SPECIFIC GRAVITY OF G=0.42
 - B. CONCRETE - MINIMUM COMPRESSIVE STRENGTH OF 3,192 PSI.
 - C. MASONRY - STRENGTH CONFORMANCE TO ASTM C-90, GRADE N, TYPE 1 (OR GREATER).
 - D. METAL STRUCTURE: STEEL 18GA, 33KSI OR ALUMINUM 6063-T5 1/8" THICK MINIMUM

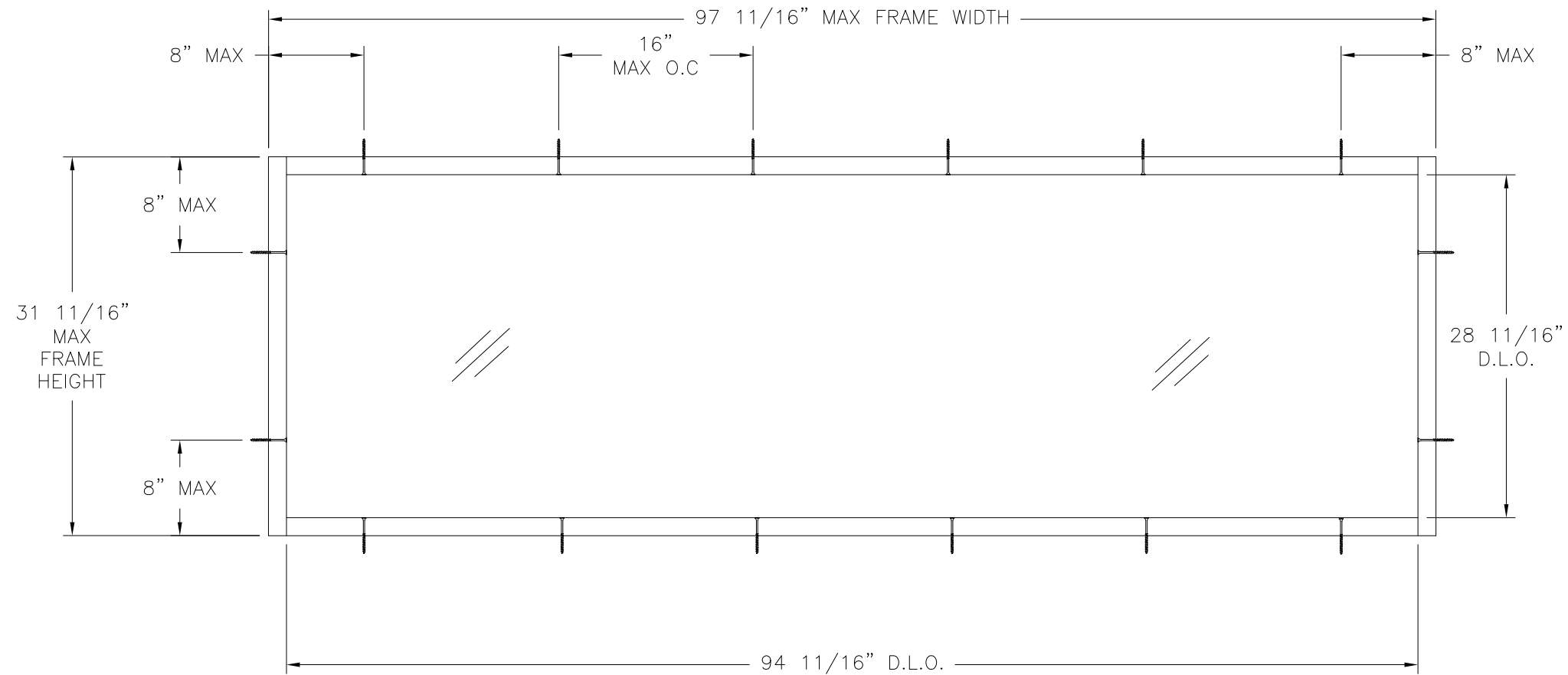
SIGNED: 11/01/2016

TABLE OF CONTENTS	
SHEET NO.	DESCRIPTION
1	NOTES
2	ELEVATION
3	CROSS SECTIONS, B.O.M. & COMPONENTS
4 - 5	INSTALLATION DETAILS

PROVIA DOOR, INC 2150 STATE ROUTE 39 SUGARCREEK, OH 44681		
COMPOSITE FIXED TRANSOM NON-IMPACT NOTES		
DRAWN: N.G.	DWG NO. 08-02106	REV -
SCALE NTS	DATE 07/01/13	SHEET 1 OF 5



REVISIONS			
REV	DESCRIPTION	DATE	APPROVED



COMPOSITE FIXED TRANSOM
EXTERIOR VIEW

DESIGN PRESSURE RATING	IMPACT RATING
±55.0PSF	NONE

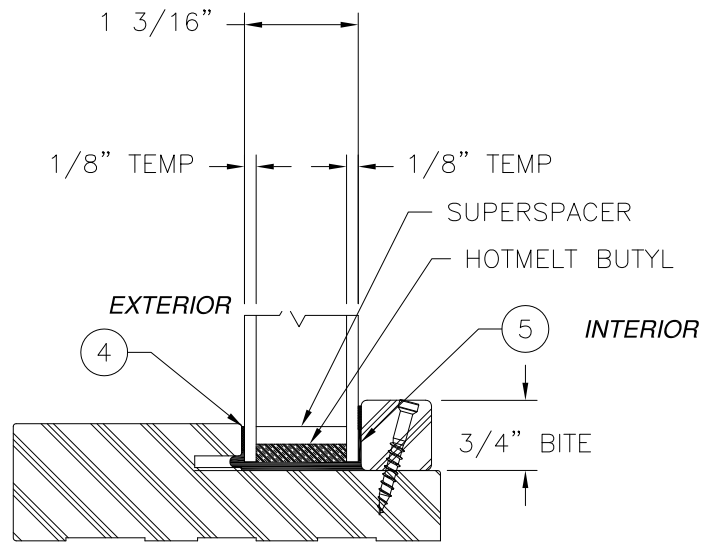
SIGNED: 11/01/2016

PROVIA DOOR, INC 2150 STATE ROUTE 39 SUGARCREEK, OH 44681		
COMPOSITE FIXED TRANSOM NON-IMPACT ELEVATION		
DRAWN: N.G.	DWG NO. 08-02106	REV -
SCALE NTS	DATE 07/01/13	SHEET 2 OF 5

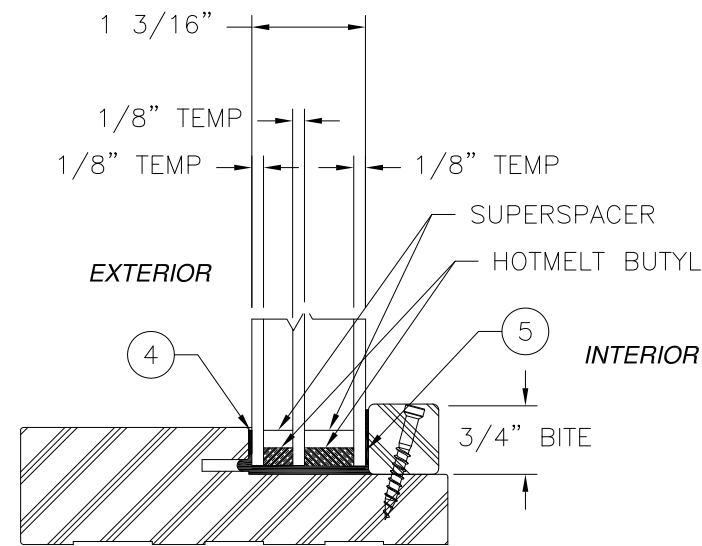


PARTS LIST				
NO.	PART NUMBER	DESCRIPTION	MANUFACTURER	MATERIAL
1	P-CJ-JXX-XXX	JAMB - COMPOSITE	PROVIA	COMPOSITE
2	P-HW-FSNRBL-10	SCREW #6 X 1"		STEEL
3	P-CJ-XXX-XXX	GLASS STOP-3/4" X 3/4"	PROVIA	COMPOSITE
4	P-SE-00-09	995 STRUCTURAL SEALANT	DOW	SEALANT
5	P-WS-CCL-06	GLAZING TAPE-1/8" X 1/4"		FOAM

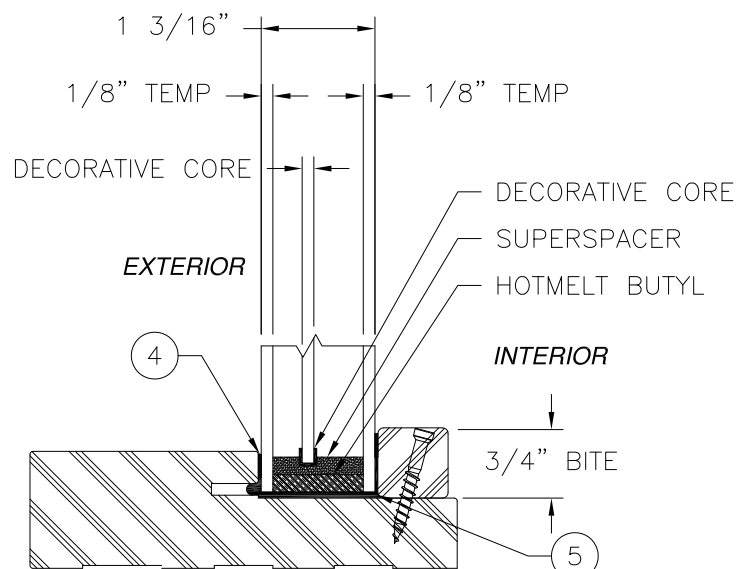
REVISIONS			
REV	DESCRIPTION	DATE	APPROVED



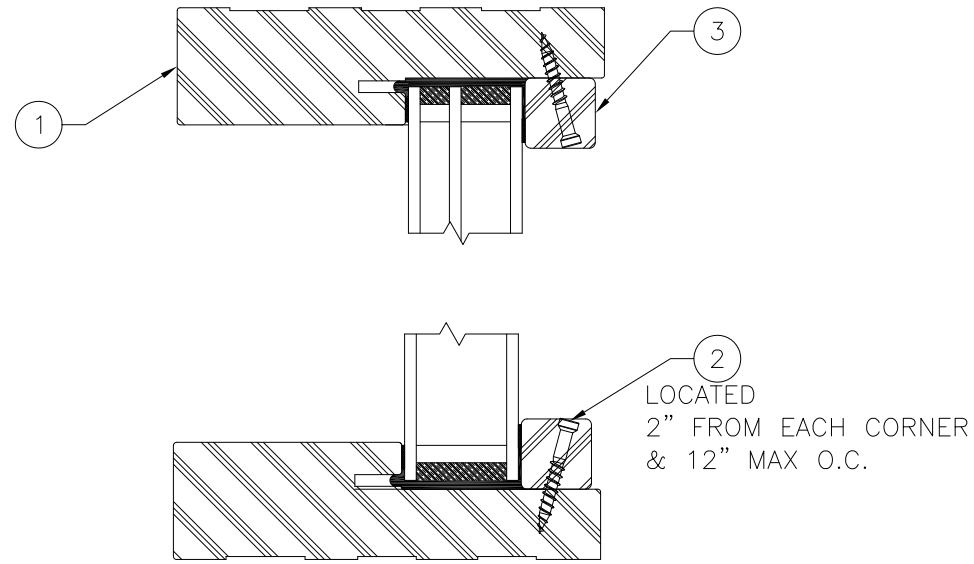
GLAZING DETAIL A



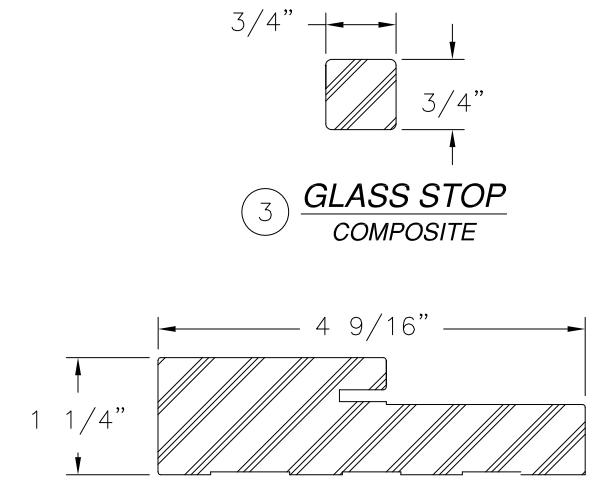
GLAZING DETAIL B



GLAZING DETAIL C



VERTICAL SECTION

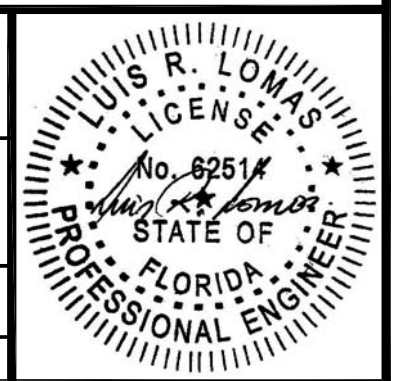


③ **GLASS STOP**
COMPOSITE

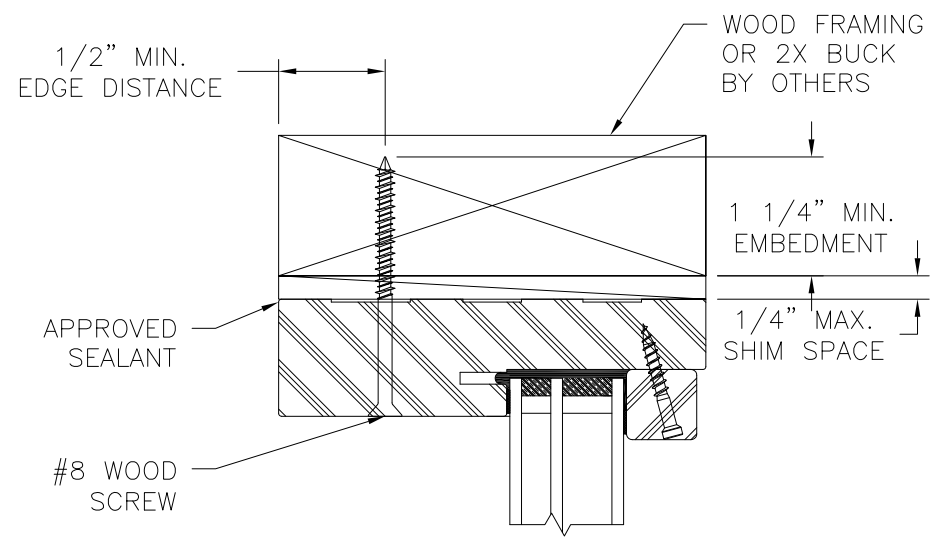
① **JAMB**
COMPOSITE

SIGNED: 11/01/2016

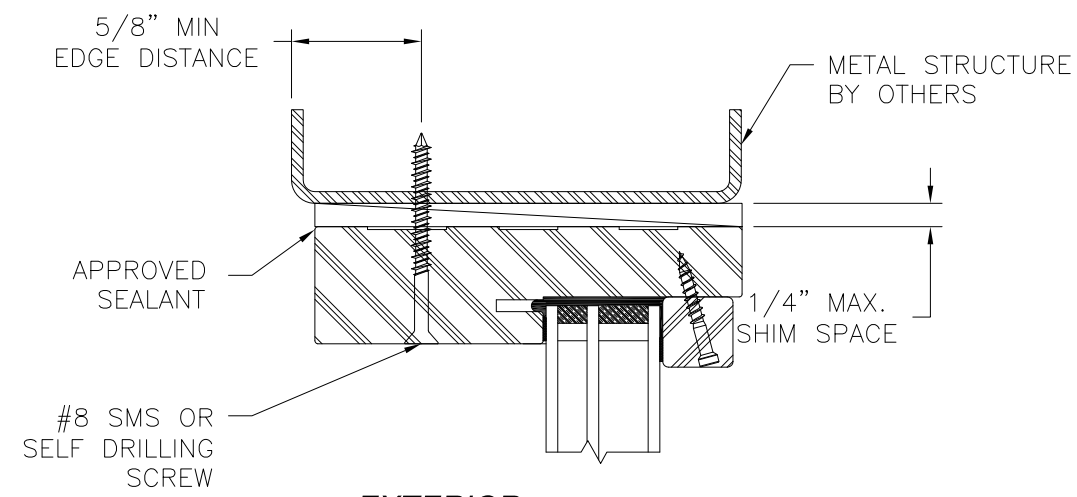
PROVIA DOOR, INC 2150 STATE ROUTE 39 SUGARCREEK, OH 44681		
COMPOSITE FIXED TRANSOM NON-IMPACT CROSS SECTIONS, B.O.M. & COMPONENTS		
DRAWN: N.G.	DWG NO. 08-02106	REV -
SCALE NTS	DATE 07/01/13	SHEET 3 OF 5



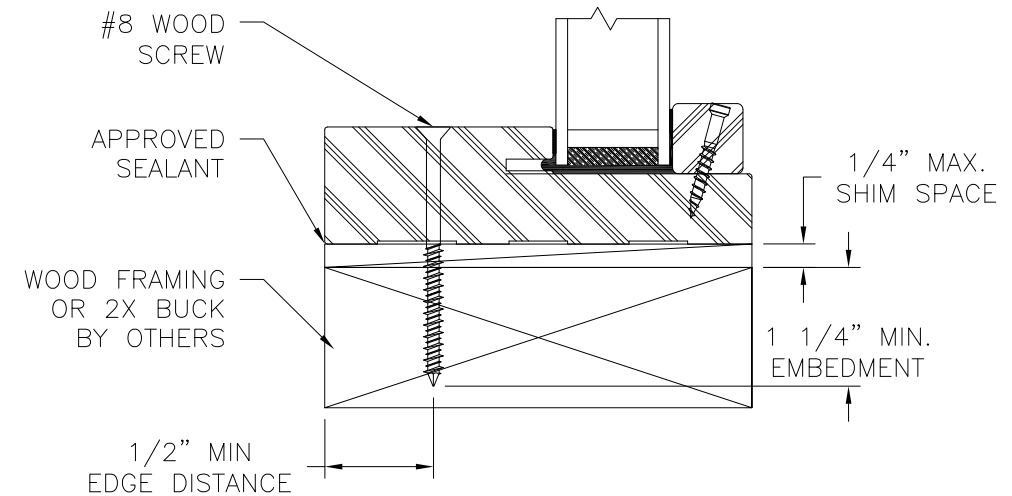
REVISIONS			
REV	DESCRIPTION	DATE	APPROVED



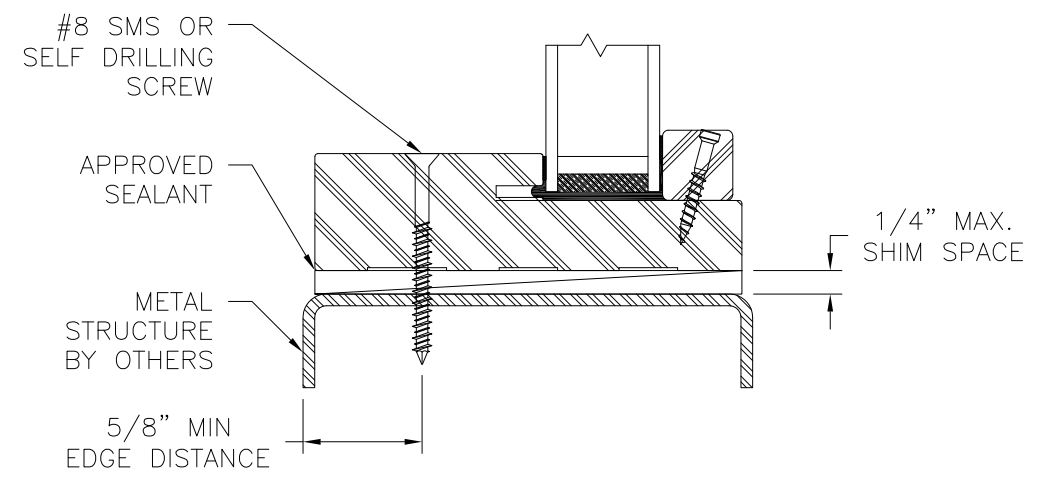
EXTERIOR **INTERIOR**



EXTERIOR **INTERIOR**



VERTICAL CROSS SECTION
WOOD FRAMING OR 2X BUCK INSTALLATION
HEAD & SILL SHOWN JAMBS SIMILAR

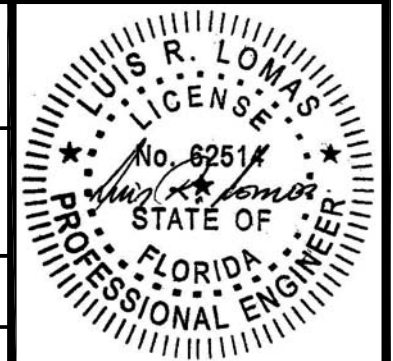


VERTICAL CROSS SECTION
METAL STRUCTURE INSTALLATION
HEAD & SILL SHOWN JAMBS SIMILAR

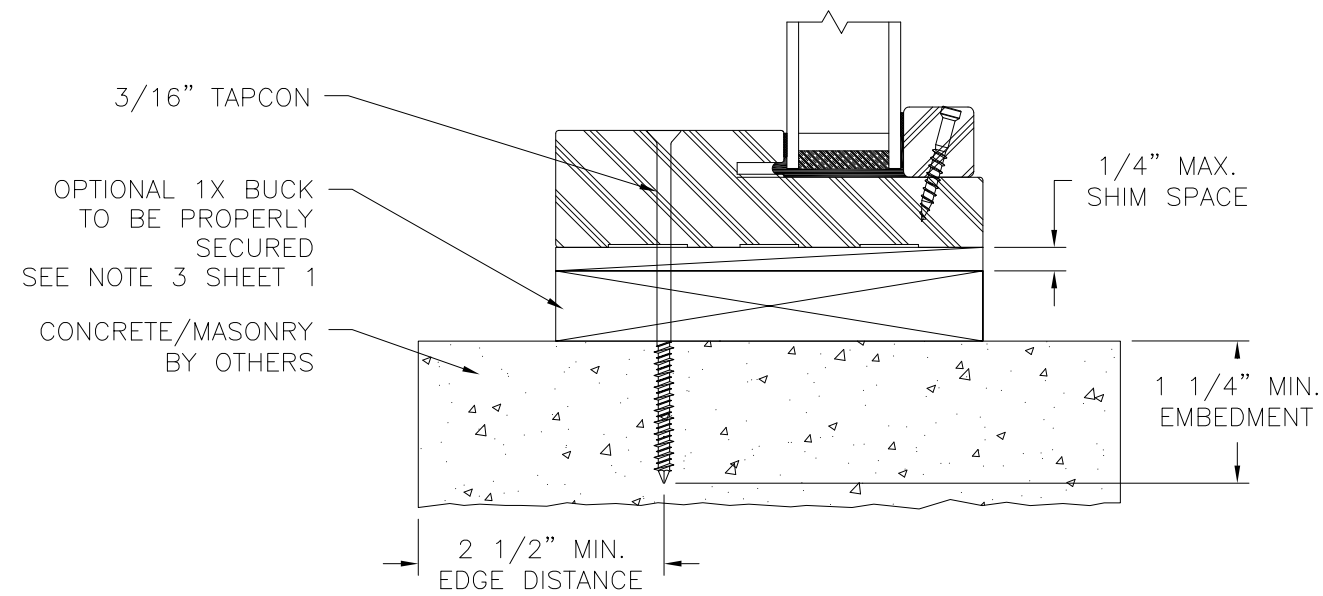
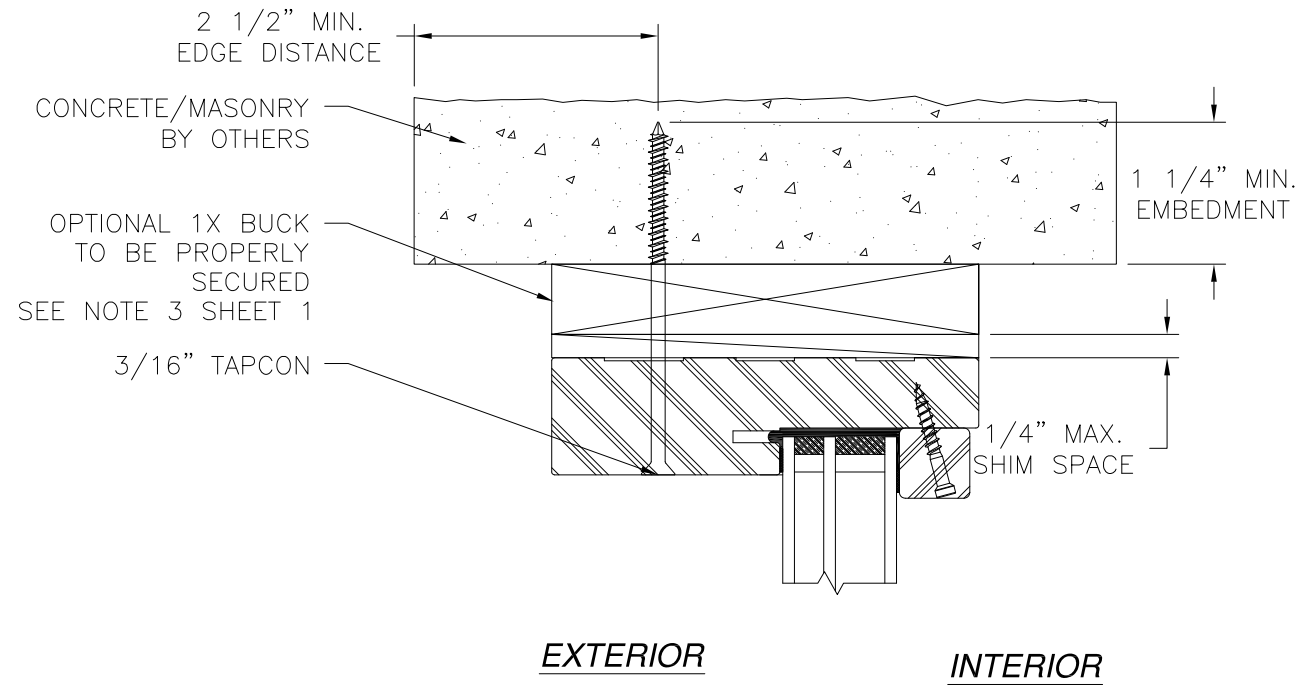
NOTE:
INTERIOR AND EXTERIOR FINISHES, BY OTHERS, NOT SHOWN FOR CLARITY.

SIGNED: 11/01/2016

PROVIA DOOR, INC. 2150 STATE ROUTE 39 SUGARCREEK, OH 44681		
COMPOSITE FIXED TRANSOM NON-IMPACT INSTALLATION DETAILS		
DRAWN: N.G.	DWG NO. 08-02106	REV -
SCALE NTS	DATE 07/01/13	SHEET 4 OF 5



REVISIONS			
REV	DESCRIPTION	DATE	APPROVED



VERTICAL CROSS SECTION
CONCRETE/MASONRY INSTALLATION
HEAD & SILL SHOWN JAMBS SIMILAR

NOTE:
 INTERIOR AND EXTERIOR FINISHES, BY OTHERS, NOT SHOWN FOR CLARITY.

SIGNED: 11/01/2016

PROVIA DOOR, INC 2150 STATE ROUTE 39 SUGARCREEK, OH 44681		
COMPOSITE FIXED TRANSOM NON-IMPACT INSTALLATION DETAILS		
DRAWN: N.G.	DWG NO. 08-02106	REV -
SCALE NTS	DATE 07/01/13	SHEET 5 OF 5

