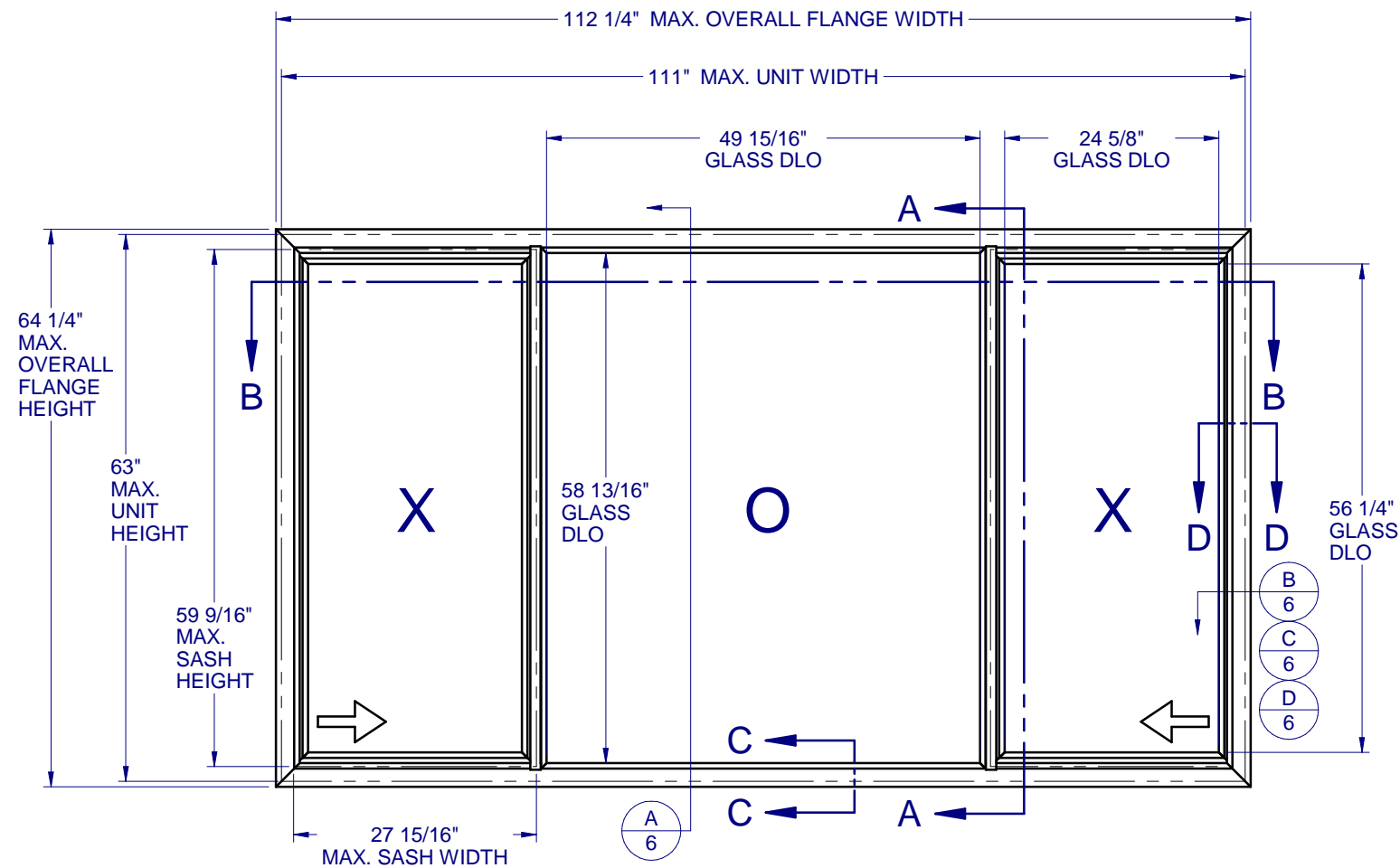


# HORIZONTAL SLIDER - LARGE MISSILE IMPACT



## GENERAL NOTES:

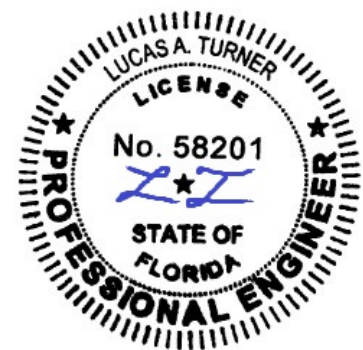
1. THE PRODUCT SHOWN HEREIN IS DESIGNED AND MANUFACTURED TO COMPLY WITH THE FLORIDA BUILDING CODE (FBC), CURRENT EDITION INCLUDING THE HIGH VELOCITY HURRICANE ZONE (HVHZ) AND IS RATED FOR WIND ZONE 4 MISSILE LEVEL D IMPACT USE AS DEFINED IN ASTM E 1996 PER THE FBC.
2. GLAZING OPTIONS: (SEE SHEET 2)
3. CONFIGURATIONS: "OX", "XO".
4. DESIGN PRESSURE RATING:
  - NEGATIVE DESIGN LOADS BASED ON, TESTED PRESSURE AND GLASS TABLES ASTM E-1300-04e01/09.
  - POSITIVE DESIGN LOADS BASED ON, TESTED PRESSURE, WATER INFILTRATION TEST PRESSURE AND GLASS TABLES ASTM E-1300-04e01/09.
5. ANCHORAGE: THE 33 1/3% STRESS INCREASE HAS NOT BEEN USED IN THE DESIGN OF THIS PRODUCT. SEE SHEET 6 FOR ANCHOR DETAILS. WINDLOAD DURATION FACTOR Cd=1.6 WAS USED FOR WOOD ANCHOR CALCULATIONS.
6. PRODUCT APPROVED FOR IMPACT RESISTANCE. SHUTTERS ARE NOT REQUIRED. THE IMPACT ROTARY LOCKS ARE INTENDED TO BE LEFT UNLATCHED DURING NORMAL OPERATION OF THIS PRODUCT, BUT MUST BE ENGAGED PRIOR TO EXPOSURE TO HURRICANE WINDS AND FLYING DEBRIS.
7. ALL FRAMES AND VENTS FULLY WELDED. SMALL JOINT SEAM SEALANT USED AT FIXED MEETING RAIL AND HEAD/SILL.
8. SERIES / MODEL DESIGNATION HS-8200.
9. THE DESIGNATION X AND O STAND FOR THE FOLLOWING:  
X = OPERABLE SASH, O = FIXED SASH
10. SECTION CALLOUTS APPLY TO ALL ELEVATIONS IN A SIMILAR LOCATION.
11. EXTERNAL WEEP SLOT = 1/4" x 1" LOCATED 4" FROM BOTH ENDS.



1900 SW 44TH AVE.  
OCALA, FLORIDA 34474  
WWW.CWS.CC

## 8200 PVC HORZ. SLIDER IMPACT

PROPRIETARY AND CONFIDENTIAL  
THE INFORMATION CONTAINED IN THIS DRAWING IS THE SOLE PROPERTY OF CUSTOM WINDOW SYSTEMS, INC. ANY REPRODUCTION IN PART OR AS A WHOLE WITHOUT THE WRITTEN PERMISSION OF CUSTOM WINDOW SYSTEMS, INC IS PROHIBITED.



8/05/2020

LUCAS A. TURNER, P.E.  
FL PE # 58201  
2428 Old Natchez Trc Trl  
Camden, TN 38320  
PH. 941-380-1574

SHEET DESCRIPTION:

### GENERAL NOTES AND ELEVATIONS

DRAWN BY: TEF	DATE: 10/11/13
DWG #: CWS-869	REV.: D
SCALE: 1:20	SHEET 1 OF 6

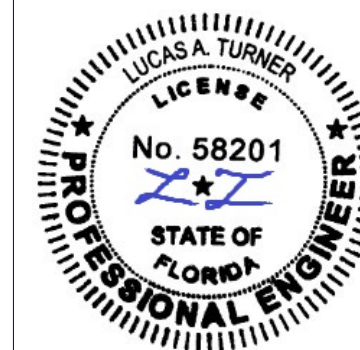
### TABLE OF CONTENTS

GENERAL NOTES & ELEVATIONS.....	1
GLAZING DETAILS.....	2
SECTION VIEWS & GLAZING DETAILS....	3
EXTRUSIONS & B.O.M.....	4
ANCHOR SCHEDULE & NOTES.....	5
INSTALLATION DETAILS.....	6

MAX. UNIT SIZE	DESIGN PRESSURE RATING	IMPACT RATING
111" x 63"	+/- 60 PSF	LARGE MISSILE IMPACT

**8200 PVC  
HORZ. SLIDER  
IMPACT**

PROPRIETARY AND CONFIDENTIAL  
THE INFORMATION CONTAINED IN THIS DRAWING IS THE SOLE PROPERTY OF CUSTOM WINDOW SYSTEMS, INC. ANY REPRODUCTION IN PART OR AS A WHOLE WITHOUT THE WRITTEN PERMISSION OF CUSTOM WINDOW SYSTEMS, INC IS PROHIBITED.



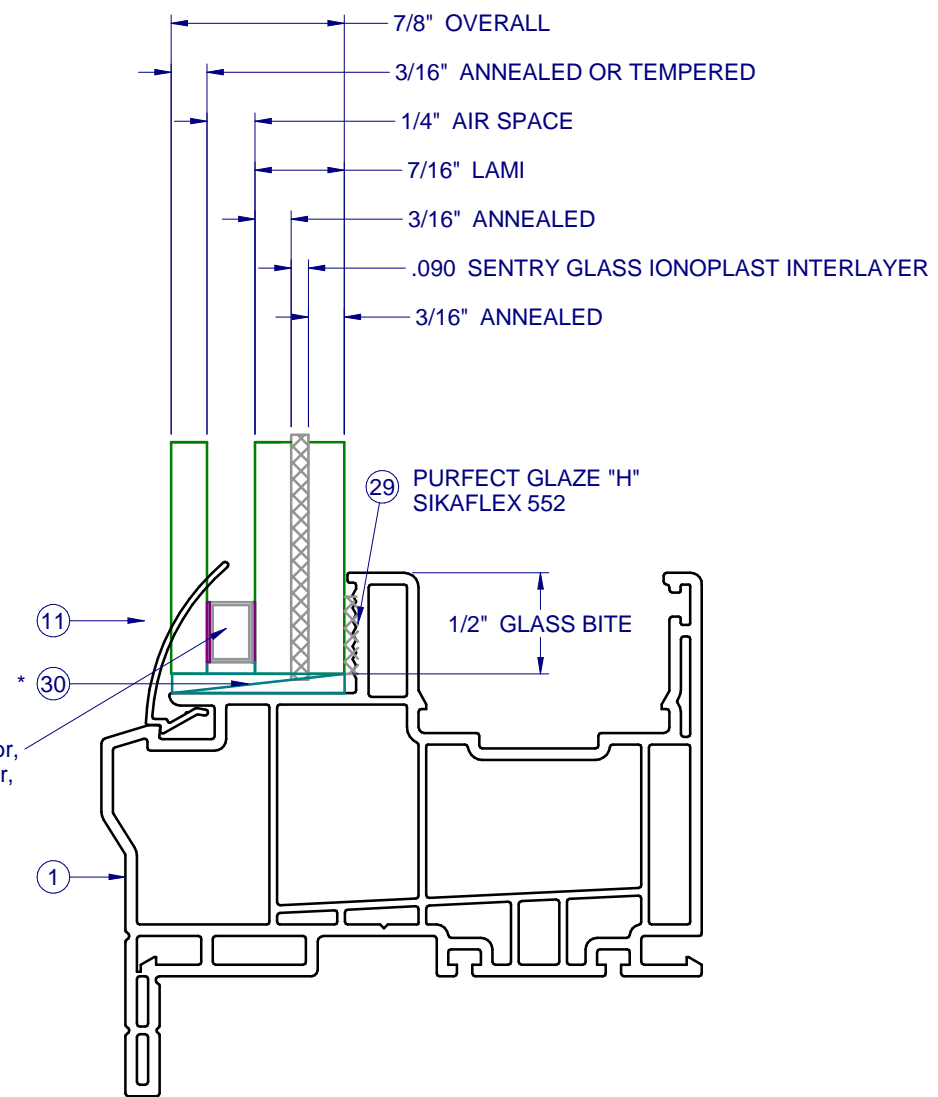
8/05/2020

LUCAS A. TURNER, P.E.  
FL PE # 58201  
2428 Old Natchez Trc Trl  
Camden, TN 38320  
PH. 941-380-1574

SHEET DESCRIPTION:

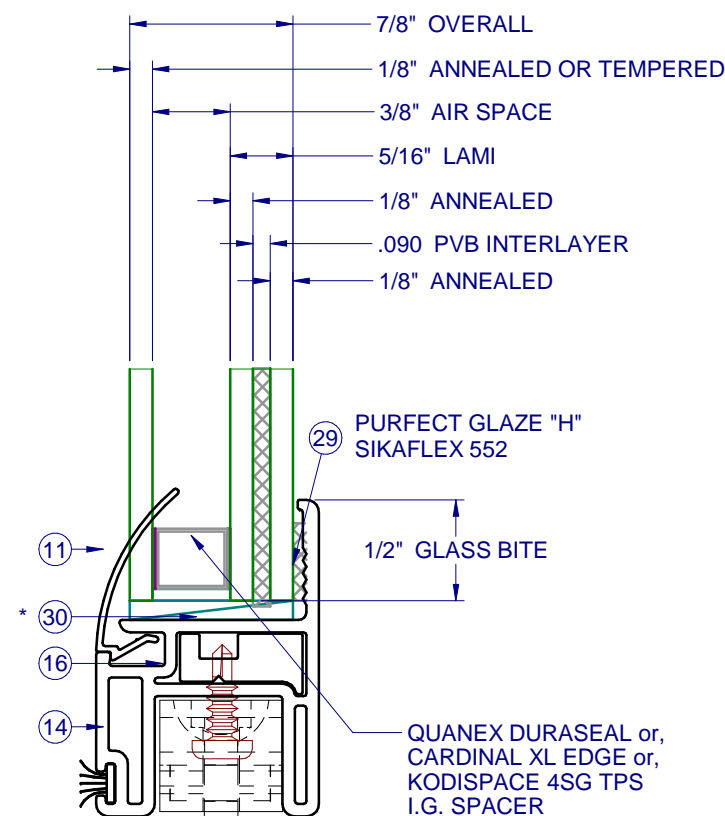
**GLAZING DETAILS**

DRAWN BY: TEF	DATE: 10/11/13
DWG #: CWS-869	REV.: D
SCALE: 1:1	SHEET 2 OF 6



GLASS TYPE A  
FIXED GLASS

QUANEX DURASEAL or,  
CARDINAL XL EDGE or,  
KODISPACE 4SG TPS  
I.G. SPACER

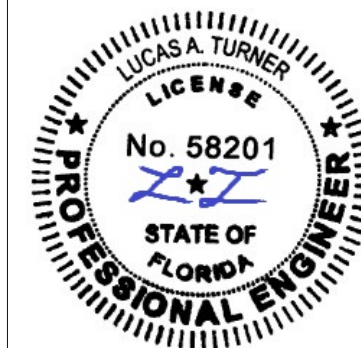


GLASS TYPE B  
SASH GLASS

\* SETTING BLOCKS PER FBC 2411.3.3.1

**8200 PVC  
HORZ. SLIDER  
IMPACT**

PROPRIETARY AND CONFIDENTIAL  
THE INFORMATION CONTAINED IN THIS DRAWING IS THE SOLE PROPERTY OF CUSTOM WINDOW SYSTEMS, INC. ANY REPRODUCTION IN PART OR AS A WHOLE WITHOUT THE WRITTEN PERMISSION OF CUSTOM WINDOW SYSTEMS, INC IS PROHIBITED.



8/05/2020

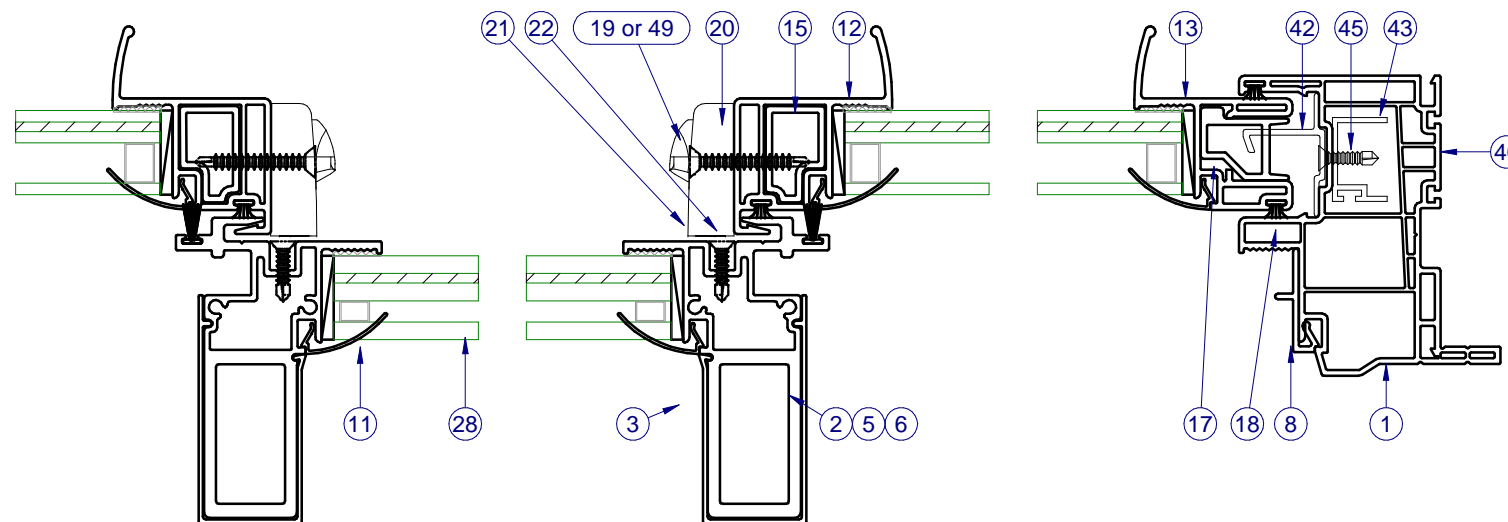
LUCAS A. TURNER, P.E.  
FL PE # 58201  
2428 Old Natchez Trc Trl  
Camden, TN 38320  
PH. 941-380-1574

SHEET DESCRIPTION:

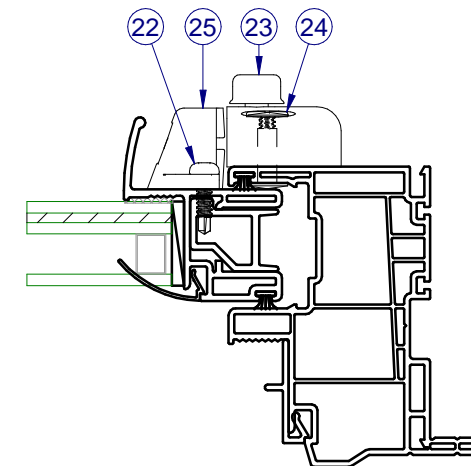
**SECTION VIEWS**

DRAWN BY:	DATE:
TEF	10/11/13
DWG #:	REV.:
CWS-869	D
SCALE:	SHEET
1:2	3 OF 6

INTERIOR

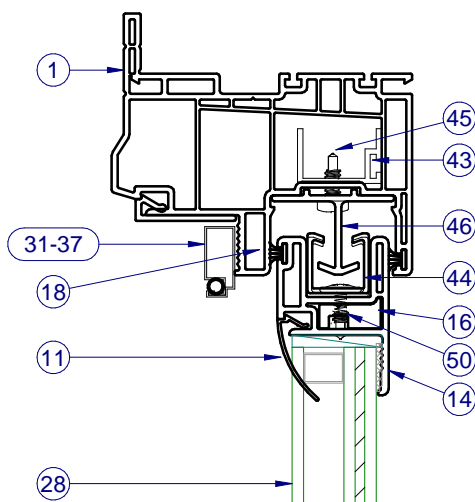


SECTION VIEW B-B



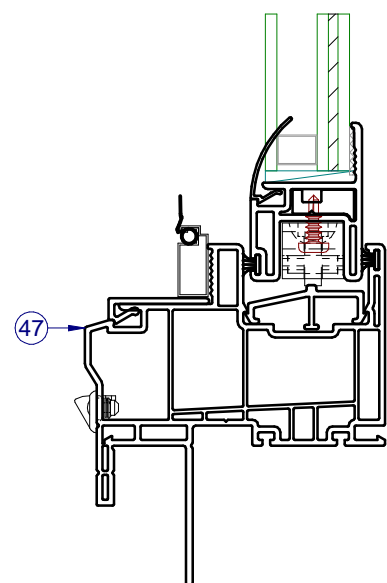
SECTION VIEW D-D  
JAMB ROTARY LOCKS

JAMB ROTARY LOCKS:  
- MAY BE SUBSTITUTED FOR JAMB  
IMPACT LOCKS ON FLANGE UNITS.  
- REQUIRED ON FIN UNITS.



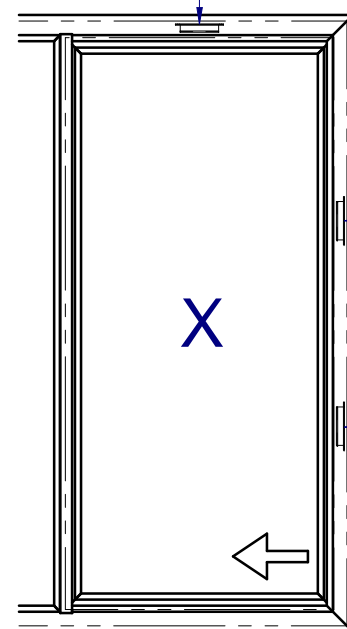
SECTION VIEW A-A

INTERIOR



SECTION VIEW C-C  
ALTERNATE FIN FRAME

HEAD IMPACT HOOK (TYP.)  
MIDSPAN OF SASHES  
(ITEMS 44 & 46)

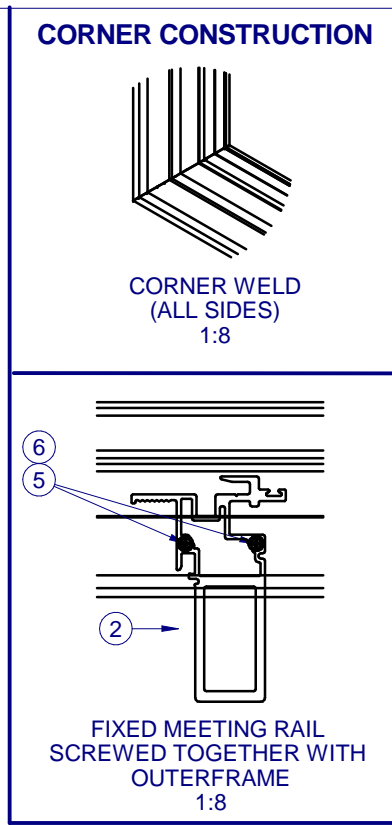
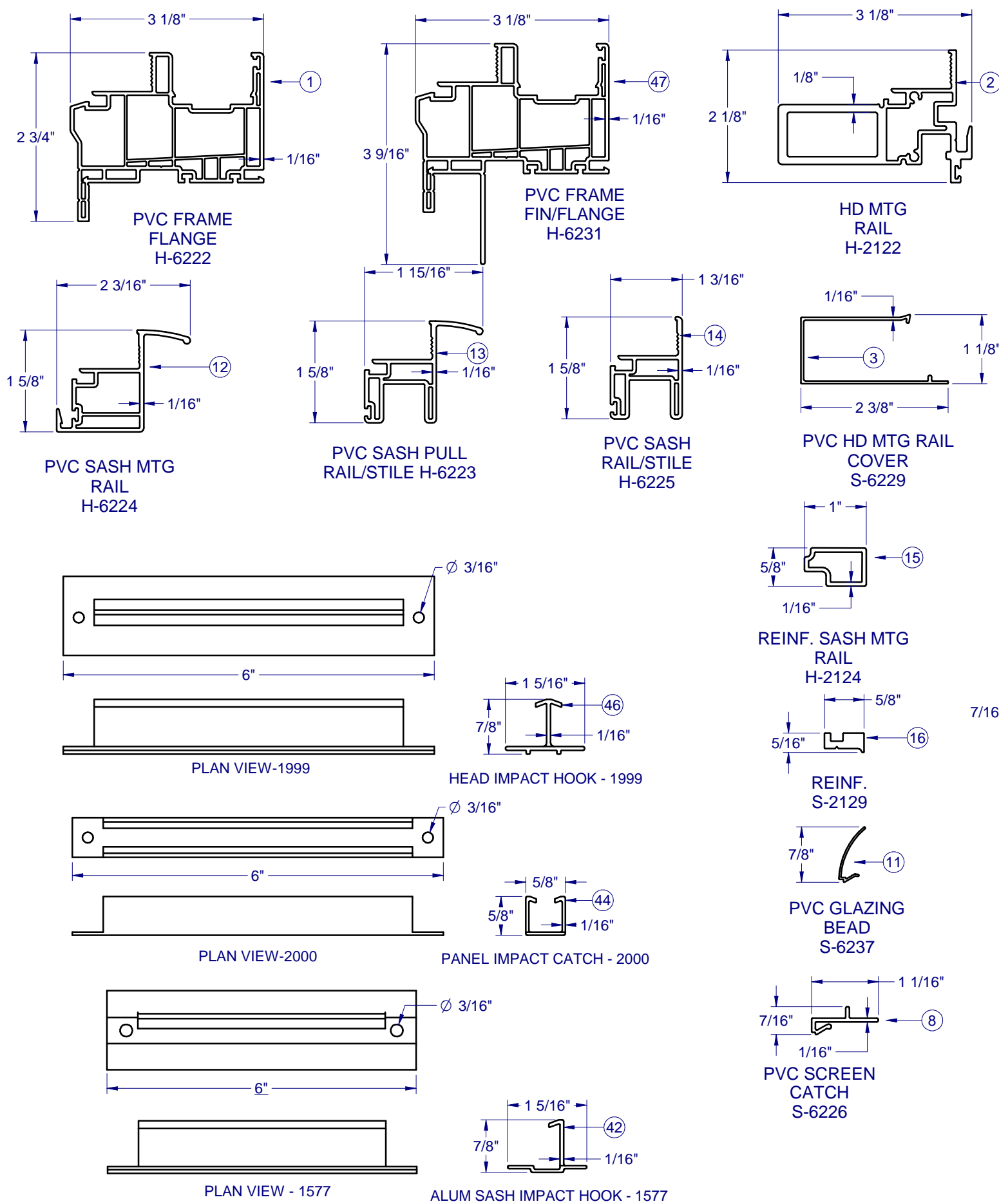


HEAD IMPACT HOOK AND  
JAMB IMPACT HOOK/ROTARY LOCK LOCATIONS  
1:20

JAMB IMPACT HOOKS (ITEM 42)  
OR ROTARY LOCKS (ITEM 23)  
LOCATED AT THIRD POINTS.

NOTES:  
- EITHER IMPACT HOOKS OR ROTARY LOCKS  
MUST BE USED IN BOTH JAMBS OF FLANGE UNITS.  
- ONLY ROTARY LOCKS MUST BE USED IN BOTH  
JAMBS OF FIN UNITS.

PARTS LIST			
ITEM	PART #	DESCRIPTION	MATERIAL
1	H-6222	Main Frame, SH/HS, Flange, PVC	PVC
2	H-2122	Fixed Rail, Heavy Duty, Aluminum	Alum
3	S-6229	Cover, HD Fixed Rail, PVC	PVC
5	P-4638	#8 x 2 1/2" Ph Mod Truss Type A TEK	Steel
6	P-3342	Seam Sealer, SM-5504	Silicone
7	S-1776	Roller Track	Alum
8	S-6226	Screen Adapter, Jamb, PVC	PVC
9	S-6227	Screen Adapter, Head & Sill, PVC	PVC
10	P-4479	Weep Cover w/ Flap	Nylon
11	S-6237	Glazing Bead	PVC
12	H-6224	Sash Meeting Rail, PVC	PVC
13	H-6223	Sash Pull Rail, PVC	PVC
14	H-6225	Sash Top/Bot. Rail, PVC	PVC
15	H-2124	Reinf. Sash Meet. Rail	Alum
16	S-2129	Reinforcement, Sash, Side Rail	Alum
17	H-2123	Reinforcement, Sash Pull Rail	Alum
18	P-3429	Wstp., 0.270 x .187 back FinSeal, Gray	
19	P-3783	Lock, Impact, PVC	
20	P-4051	#8 x 1 1/4" Ph Flat Tek, Wht.	Steel
21	P-4069	Keeper, Impact, PVC	
22	P-3539	#8 x 3/4" Square PH Tek, Wht.	Steel
23	P-4958	Rotary Lock	
24	P-4633	8-32 x 1/2" Barrel Fastener	
25	P-4952	Keeper, Rotary Lock	
26	P-4779	Roller, Tandem	Nylon
27	P-3541	#8 x 1/2" Quad PH TEK 2 Zinc	Steel
28	GLASS	SEE SHEET 2	GLASS
29		Purfect Glaze "H" or Sikaflex 552	Silicone
30	P-5582	Set. Blk., 85 Dur., 1/8" x 7/8" x1.5" Lg	Rubber
31	P-3218	Screen Frame	RollForm
32	P-4754	Screen Corner Key	Nylon
33	P-4755	Screen Corner Key w/Safety Tab	Nylon
34	P-3029	Screen Pull tab	
35	P-3033	Screen Spring	SS
36	P-3228	Screen Spline	
37	P-4772	Screen Cloth, Fiberglass	
41	P-5588	Cap Plug, 1/2" Hole	Nylon
42	S-1577	Impact Hook, Frame, Jamb	Alum
43	S-1112	Reinforcement, Head, Jamb	Alum
44	S-2000	Impact Channel, Sash	Alum
45	P-3748	#6 X 5/8 Ph FH TEK, Zinc, Painted	Steel
46	S-1999	Impact Hook, Frame, Head	Alum
47	H-6231	Main Frame, SH/HS, Fin, PVC	PVC
50	P-4730	#8 x 1/2" Ph Mod Truss TEK	Steel



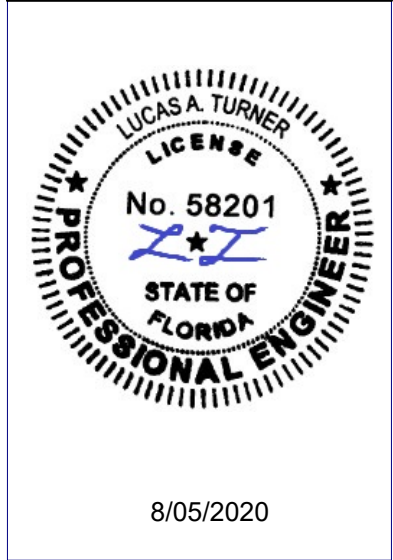
**Custom WINDOW SYSTEMS**

1900 SW 44TH AVE.  
OCALA, FLORIDA 34474  
WWW.CWS.CC

**8200 PVC HORZ. SLIDER IMPACT**

PROPRIETARY AND CONFIDENTIAL

THE INFORMATION CONTAINED IN THIS DRAWING IS THE SOLE PROPERTY OF CUSTOM WINDOW SYSTEMS, INC. ANY REPRODUCTION IN PART OR AS A WHOLE WITHOUT THE WRITTEN PERMISSION OF CUSTOM WINDOW SYSTEMS, INC IS PROHIBITED.



LUCAS A. TURNER, P.E.  
FL PE # 58201  
2428 Old Natchez Trc Trl  
Camden, TN 38320  
PH. 941-380-1574

SHEET DESCRIPTION:  
**BOM AND EXTRUSIONS**

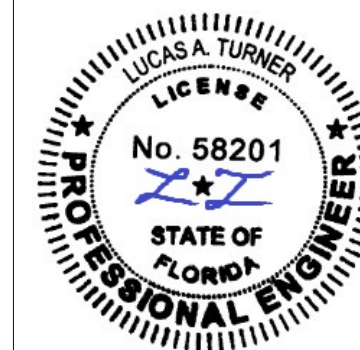
DRAWN BY: TEF	DATE: 10/11/13
DWG #: CWS-869	REV.: D
SCALE: 4:1	SHEET 4 OF 6

LINE ITEMS NOT USED:  
4, 38-39

NOTE: ALL EXTRUSIONS ARE ALUMINUM 6063-T6 UNLESS OTHERWISE NOTED.

**8200 PVC  
HORZ. SLIDER  
IMPACT**

PROPRIETARY AND CONFIDENTIAL  
THE INFORMATION CONTAINED IN THIS DRAWING IS THE SOLE PROPERTY OF CUSTOM WINDOW SYSTEMS, INC. ANY REPRODUCTION IN PART OR AS A WHOLE WITHOUT THE WRITTEN PERMISSION OF CUSTOM WINDOW SYSTEMS, INC IS PROHIBITED.



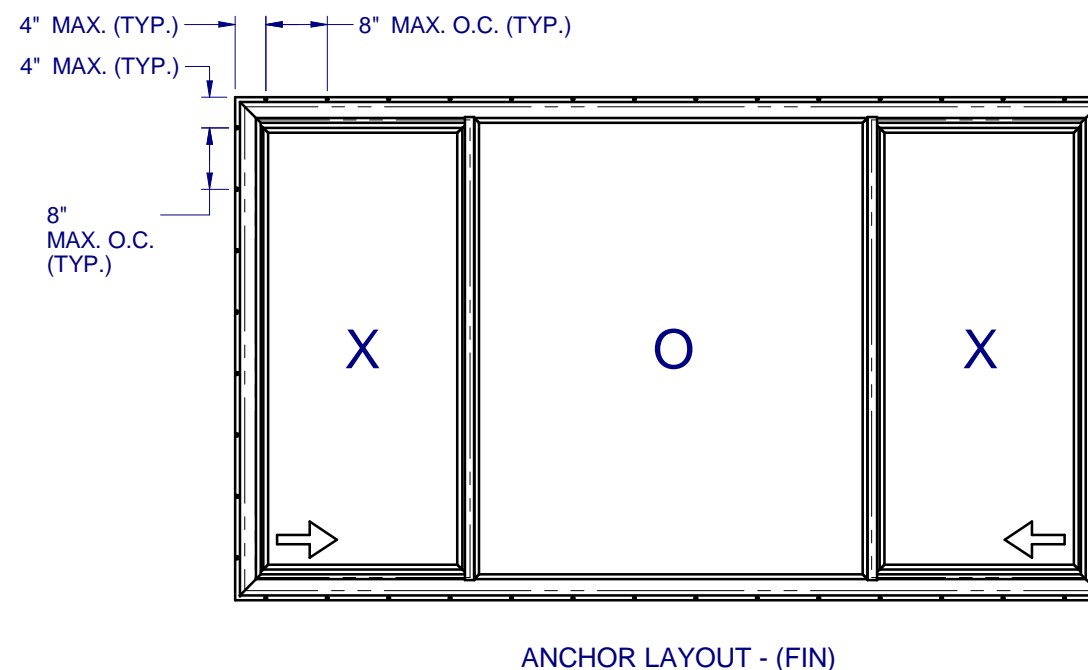
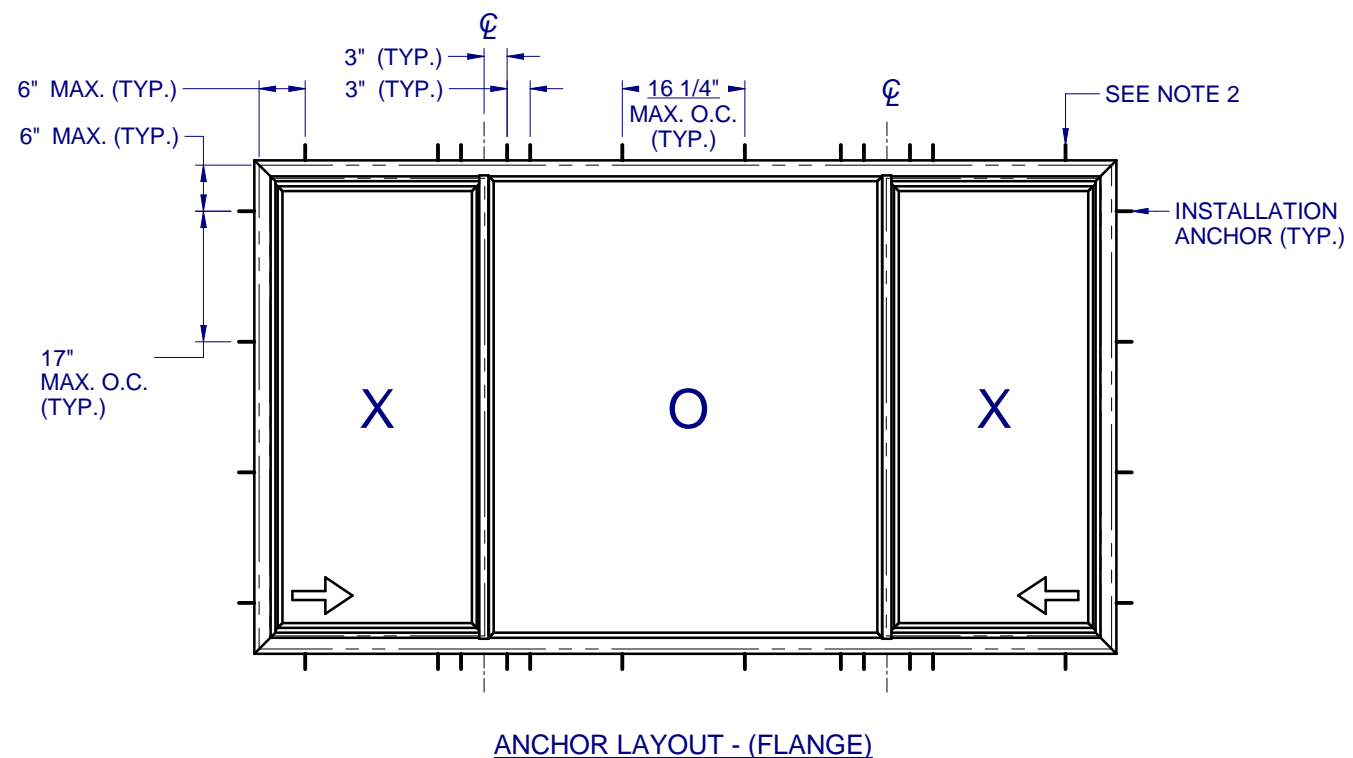
8/05/2020

LUCAS A. TURNER, P.E.  
FL PE # 58201  
2428 Old Natchez Trc Trl  
Camden, TN 38320  
PH. 941-380-1574

SHEET DESCRIPTION:

**ANCHOR SCHEDULE AND NOTES**

DRAWN BY: TEF	DATE: 10/11/13
DWG #: CWS-869	REV.: D
SCALE: 1:25	SHEET 5 OF 6

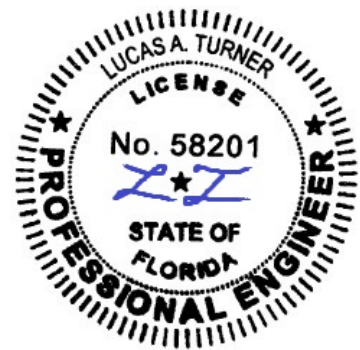


NOTES:

1. INSTALL ONE ANCHOR AT EACH INSTALLATION LOCATION. SILL ANCHOR SPACING SAME AS HEAD.
2. SHIM AS REQ AT EACH INSTALLATION ANCHOR USING LOAD BEARING SHIMS. MAX. ALLOWABLE SHIM STACK TO BE 1/4". USE SHIMS WHERE SPACE GREATER THAN 1/16" IS PRESENT. LOAD BEARING SHIMS SHALL BE CONSTRUCTED OF HIGH DENSITY PLASTIC OR BETTER. WOOD SHIMS ARE NOT ALLOWED.
3. ANCHOR TYPE, SIZE, SPACING AND EMBEDMENT SHALL BE AS SPECIFIED IN THESE DRAWINGS, SEE TABLE 1, SHEET 6.
4. ALL INSTALLATION ANCHORS MUST BE MADE OF OR PROTECTED WITH A CORROSION RESISTANT MATERIAL OR COATING. DISSIMILAR METALS OR MATERIALS IN CONTACT WITH PRESSURE TREATED WOOD MUST BE PROTECTED TO PREVENT REACTION.
5. INSTALLATION ANCHORS SHALL BE IN ACCORDANCE WITH ANCHOR MANUFACTURER'S INSTALLATION INSTRUCTIONS, AND ANCHORS SHALL NOT BE USED IN SUBSTRATES WITH STRENGTHS LESS THAN THE MINIMUM SPECIFIED IN TABLE 1, SHEET 6.
6. ANCHOR EMBEDMENT TO SUBSTRATE SHALL BE BEYOND WALL DRESSING OR STUCCO. FOR CONCRETE/CMU OPENINGS, EMBEDMENT SHALL BE BEYOND WOOD BUCKS, IF USED, INTO SUBSTRATE. INSTALLATIONS TO SOLID CONCRETE OR GROUT-FILLED CMU MAY INCLUDE BUT DO NOT REQUIRE 1X WOOD BUCKS BETWEEN THE PRODUCT AND SUBSTRATE. INSTALLATIONS TO HOLLOW CMU REQUIRE THE USE OF 1X BUCKS BETWEEN THE PRODUCT AND SUBSTRATE.
7. A MINIMUM CENTER-TO-CENTER SPACING SHALL BE MAINTAINED BETWEEN ALL FASTENERS: 3" FOR MASONRY, 1" FOR WOOD AND METAL.
8. WOOD OR MASONRY OPENINGS, BUCKS AND BUCK FASTENERS SHALL BE PROPERLY DESIGNED BY THE ARCHITECT OR ENGINEER OF RECORD AND INSTALLED TO TRANSFER WIND LOADS TO THE STRUCTURE. SUBSTRATES SHALL MEET THE MINIMUM STRENGTH REQUIREMENTS AS SHOWN IN TABLE 1, SHEET 6. CONCRETE AND MASONRY SUBSTRATES MAY NOT BE CRACKED.
9. SEALING AND FLASHING STRATEGIES FOR OVERALL WATER RESISTANCE OF INSTALLATION SHALL BE DONE BY OTHERS FOLLOWING THE CURRENT VERSION OF THE REFERENCE DOCUMENTS: FMA/AAMA 100(FIN WINDOWS), FMA/AAMA 200(FLANGE WINDOWS), FMA/WDMA 250(BOX WINDOWS), FMA/AAMA/WDMA 300(EXTERIOR DOORS)

**8200 PVC  
HORZ. SLIDER  
IMPACT**

PROPRIETARY AND CONFIDENTIAL  
THE INFORMATION CONTAINED IN THIS DRAWING IS THE SOLE PROPERTY OF CUSTOM WINDOW SYSTEMS, INC. ANY REPRODUCTION IN PART OR AS A WHOLE WITHOUT THE WRITTEN PERMISSION OF CUSTOM WINDOW SYSTEMS, INC IS PROHIBITED.



8/05/2020

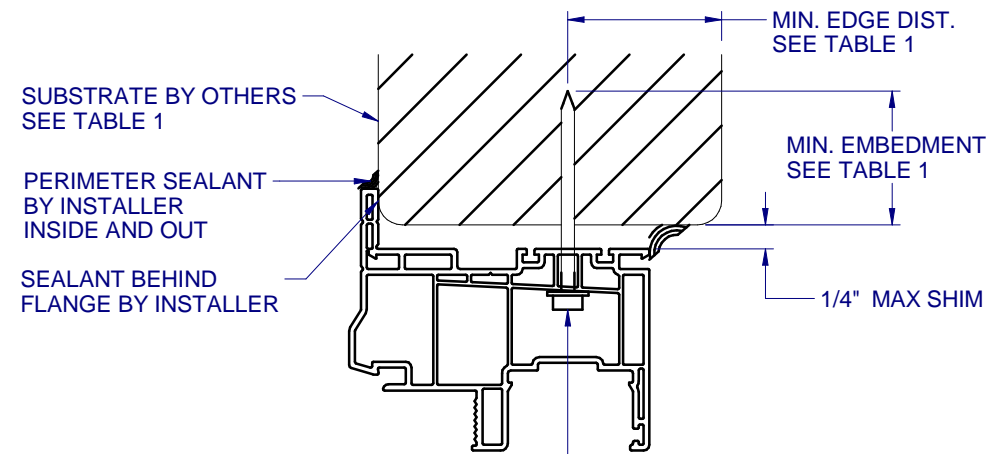
LUCAS A. TURNER, P.E.  
FL PE # 58201  
2428 Old Natchez Trc Trl  
Camden, TN 38320  
PH. 941-380-1574

SHEET DESCRIPTION:

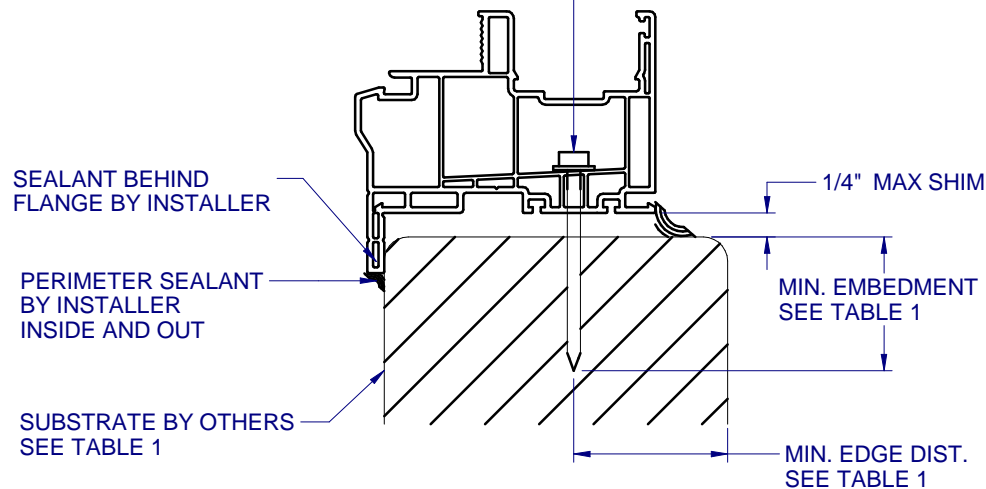
**INSTALLATION DETAILS**

DRAWN BY: <b>TEF</b>	DATE: <b>10/11/13</b>
DWG #: <b>CWS-869</b>	REV.: <b>D</b>
SCALE: <b>1:2</b>	<b>SHEET 6 OF 6</b>

TYPICAL HEAD ANCHORAGE

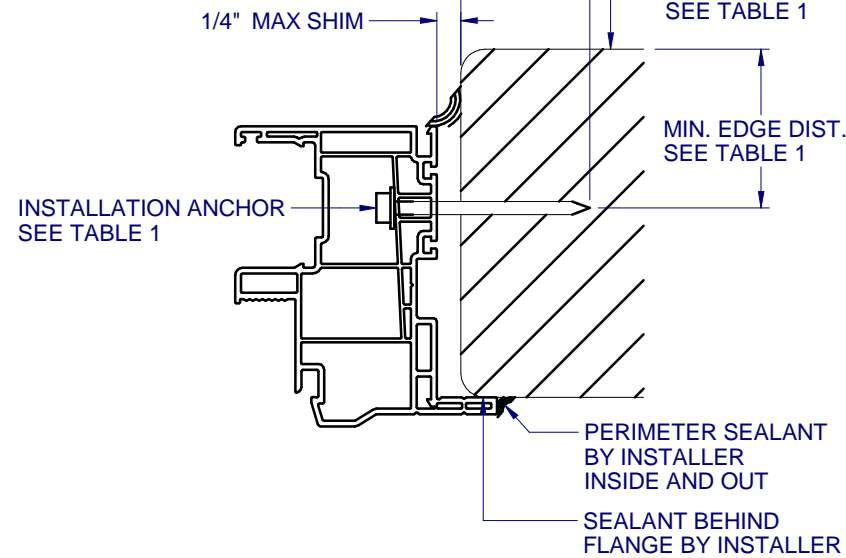


INSTALLATION ANCHOR  
SEE TABLE 1



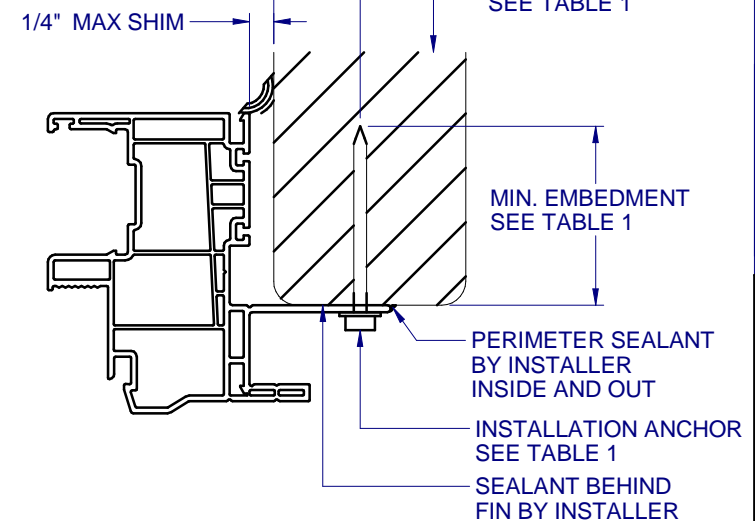
**A**  
**6** VERTICAL SECTION  
TYPICAL SILL ANCHORAGE

MIN. EMBEDMENT  
SEE TABLE 1



**B**  
**6** HORIZONTAL SECTION  
TYPICAL JAMB ANCHORAGE

MIN. EDGE DIST.  
SEE TABLE 1



**C**  
**6** HORIZONTAL SECTION  
TYPICAL FIN ANCHORAGE  
HEAD AND SILL SIMILAR FOR FIN INSTALLATION

PERIMETER SEALANT  
BY INSTALLER  
INSIDE AND OUT

**D**  
**6** HORIZONTAL SECTION  
BOX FRAME INSTALLATION  
HEAD AND SILL SIMILAR FOR BOX INSTALLATION

FLANGE REMOVAL NOTE: PARTIALLY OR FULLY REMOVING THE FLANGE, UP TO AND INCLUDING A BOX-FRAME APPLICATION IS ACCEPTABLE PROVIDED:

- MIN. 1/4" FILLET OF CONSTRUCTION-GRADE ADHESIVE CAULK IS APPLIED INSIDE AND OUT, FULL PERIMETER, BY INSTALLER.
- PRODUCT ANCHORAGE IS IN ACCORDANCE WITH REQUIREMENTS AS SHOWN FOR FLANGE WINDOWS.

**TABLE 1: APPROVED INSTALLATION FASTENERS**

FRAME TYPE	SUBSTRATE TYPE	ANCHOR TYPE	MIN. EMBEDMENT	MIN. EDGE DIST.
FLANGE	CONCRETE (2.0 KSI MIN.)	3/16" ITW TAPCON	1-1/2"	1-1/8"
FLANGE	HOLLOW OR GROUT-FILLED CMU (117 PCF MIN.)	3/16" ITW TAPCON	1"	2"
FLANGE	CONCRETE (2.85 KSI MIN.)	3/16" ELCO ULTRACON	1"	1"
FLANGE	GROUT-FILLED CMU (ASTM C-90)	3/16" ELCO ULTRACON	1-1/4"	2-1/2"
FLANGE	2X MIN. SOUTHERN PINE (G=0.55)	3/16" ITW TAPCON OR ELCO ULTRACON	1-3/8"	7/8"
FLANGE	2X MIN. SOUTHERN PINE (G=0.55)	#10 WOOD SCREW	1-3/8"	7/8"
FLANGE	16 GAUGE (0.060") MIN. STEEL STUD (33 KSI YIELD MIN)	#10-16 HILTI KWIK-FLEX OR ITW TEKS SELF-DRILLING SCREW	FULL THREAD THRU 0.060"	7/16"
FLANGE	1/8" ALUM. (6063-T5 MIN.) OR 1/8" STEEL (33 KSI MIN.)	#10 GRADE 5 SELF-TAPPING / DRILLING SCREW	FULL THREAD THRU 0.125"	7/16"
FIN	2X MIN. SOUTHERN PINE (G=0.55)	#8 WOOD SCREW	1-1/2"	1/2"