

REVISIONS			
REV	DESCRIPTION	DATE	APPROVED
A	REVISED INSTALLATION DETAILS	06/22/15	R.L.


NOTES:

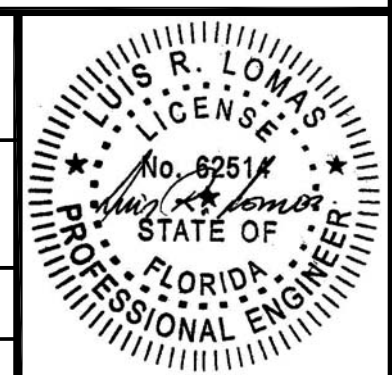
1. THE PRODUCT SHOWN HEREIN IS DESIGNED AND MANUFACTURED TO COMPLY WITH REQUIREMENTS OF THE FLORIDA BUILDING CODE INCLUDING THE HVHZ.
2. WOOD FRAMING AND MASONRY OPENING TO BE DESIGNED AND ANCHORED TO PROPERLY TRANSFER ALL LOADS TO STRUCTURE. FRAMING AND MASONRY OPENING IS THE RESPONSIBILITY OF THE ARCHITECT OR ENGINEER OF RECORD.
3. 1X BUCK OVER MASONRY/CONCRETE IS OPTIONAL.
4. WHERE SHIM OR BUCK THICKNESS IS LESS THAN 1-1/2" WINDOW UNITS MUST BE ANCHORED THROUGH THE FRAME IN ACCORDANCE WITH MANUFACTURER'S PUBLISHED INSTALLATION INSTRUCTIONS. ANCHORS SHALL BE SECURELY FASTENED DIRECTLY INTO MASONRY, CONCRETE OR OTHER STRUCTURAL SUBSTRATE MATERIAL.
5. WHERE WOOD BUCK THICKNESS IS 1-1/2" OR GREATER, BUCK SHALL BE SECURELY FASTENED TO MASONRY, CONCRETE OR OTHER STRUCTURAL SUBSTRATE. WINDOW UNITS MAY BE ANCHORED THROUGH FRAME TO SECURED WOOD BUCK IN ACCORDANCE WITH MANUFACTURER'S PUBLISHED INSTALLATION INSTRUCTIONS.
6. WHERE 1X BUCK IS NOT USED DISSIMILAR MATERIALS MUST BE SEPARATED WITH APPROVED COATING OR MEMBRANE. SELECTION OF COATING OR MEMBRANE IS THE RESPONSIBILITY OF THE ARCHITECT OR ENGINEER OF RECORD.
7. BUCKS SHALL EXTEND BEYOND WINDOW INTERIOR FACE SO THAT FULL FRAME SUPPORT IS PROVIDED.
8. FOR FIN INSTALLATION SHIM AS NEEDED. FOR FRAME INSTALLATION SHIM AS REQUIRED AT EACH ANCHOR LOCATION WITH LOAD BEARING SHIM. SHIM WHERE SPACE OF 1/16" OR GREATER OCCURS. MAXIMUM ALLOWABLE SHIM STACK TO BE 1/4".
9. SHIMS SHALL BE LOCATED, APPLIED AND MADE FROM MATERIALS AND THICKNESS CAPABLE OF SUSTAINING APPLICABLE LOADS.
10. WIND LOAD DURATION FACTOR Cd=1.6 WAS USED FOR WOOD ANCHOR CALCULATIONS.
11. FRAME MATERIAL: EXTRUDED RIGID PVC.
12. UNITS MUST BE GLAZED PER ASTM E1300-04, SEE SHEET 2 FOR GLASS DETAILS.
13. APPROVED IMPACT PROTECTIVE SYSTEM IS NOT REQUIRED FOR THIS PRODUCT IN WIND BORNE DEBRIS REGIONS.
14. FOR FIN INSTALLATION INTO WOOD FRAMING OR 2X BUCK USE #8 WOOD SCREWS WITH SUFFICIENT LENGTH TO ACHIEVE A 1 1/4" MINIMUM EMBEDMENT INTO SUBSTRATE. LOCATE ANCHORS AS SHOWN IN ELEVATIONS AND INSTALLATION DETAILS.

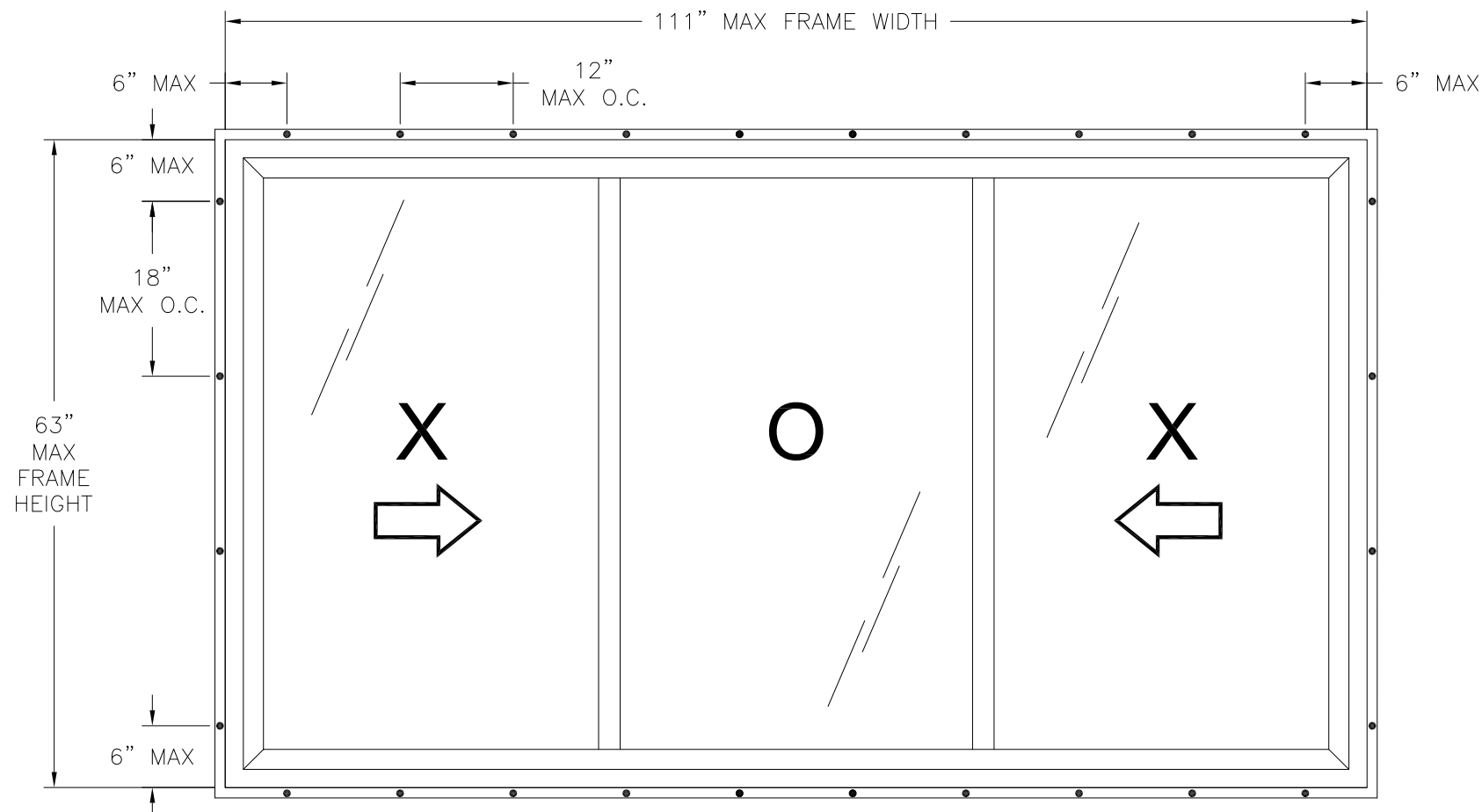
15. FOR FRAME ANCHORING INTO WOOD FRAMING OR 2X BUCK USE #10 WOOD SCREWS WITH SUFFICIENT LENGTH TO ACHIEVE A 1 1/4" MINIMUM EMBEDMENT INTO SUBSTRATE. LOCATE ANCHORS AS SHOWN IN ELEVATIONS AND INSTALLATION DETAILS.
16. FOR FRAME ANCHORING INTO MASONRY/CONCRETE USE 3/16" TAPCONS WITH SUFFICIENT LENGTH TO ACHIEVE A 1 1/4" MINIMUM EMBEDMENT INTO SUBSTRATE WITH 2 1/2" MINIMUM EDGE DISTANCE. LOCATE ANCHORS AS SHOWN IN ELEVATIONS AND INSTALLATION DETAILS.
17. FOR FRAME ANCHORING INTO METAL STRUCTURE USE #10 SMS OR SELF DRILLING SCREWS WITH SUFFICIENT LENGTH TO ACHIEVE 3 THREADS MINIMUM BEYOND STRUCTURE INTERIOR WALL. LOCATE ANCHORS AS SHOWN IN ELEVATIONS AND INSTALLATION DETAILS.
18. ALL FASTENERS TO BE CORROSION RESISTANT.
19. INSTALLATION ANCHORS SHALL BE INSTALLED IN ACCORDANCE WITH ANCHOR MANUFACTURER'S INSTALLATION INSTRUCTIONS AND ANCHORS SHALL NOT BE USED IN SUBSTRATES WITH STRENGTHS LESS THAN THE MINIMUM STRENGTH SPECIFIED BELOW:
 - A. WOOD - MINIMUM SPECIFIC GRAVITY OF G=0.42
 - B. CONCRETE - MINIMUM COMPRESSIVE STRENGTH OF 3,192 PSI.
 - C. MASONRY - STRENGTH CONFORMANCE TO ASTM C-90, GRADE N, TYPE 1 (OR GREATER).
 - D. METAL STRUCTURE: STEEL 18GA, 33KSI OR ALUMINUM 6063-T5 1/8" THICK MINIMUM
20. UNITS MAY BE INSTALLED WITH OR WITHOUT FLANGE, OUTSIDE THE HVHZ.

SIGNED: 06/23/2015

TABLE OF CONTENTS	
SHEET NO.	DESCRIPTION
1	NOTES
2 - 3	ELEVATIONS
4 - 7	INSTALLATION DETAILS

 Eastern ARCHITECTURAL SYSTEMS ALUMINUM AND VINYL IMPACT WINDOWS AND DOORS		EASTERN ARCHITECTURAL SYSTEMS A DIVISION OF EASTERN METAL SUPPLY 16341 DOMESTIC AVE FORT MYERS, FLORIDA 33912 800-432-2204	
SERIES 176 SS VINYL HORIZONTAL SLIDING WINDOW (1/3 - 1/3 - 1/3) 111" X 63" NOTES			
DRAWN:		DWG NO.	
N.G.		08-02534	
SCALE NTS		DATE 11/17/14	
		SHEET 1 OF 7	





SERIES 176 SS VINYL HORIZONTAL SLIDING WINDOW
 EXTERIOR VIEW
 FIN INSTALLATION

DESIGN PRESSURE RATING	IMPACT RATING
+60.0/-70.0PSF	LARGE MISSILE IMPACT

MISSILE LEVEL D, WIND ZONE 4 AND HVHZ

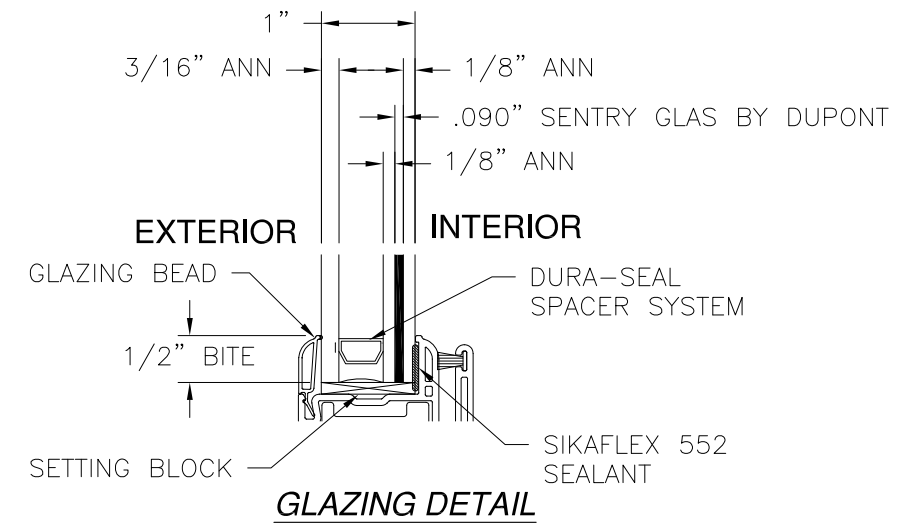
HARDWARE SCHEDULE

A.	(4) ASHLAND DUAL KEEPERS (13999) AT FIXED MEETING STILE 8" FROM HEAD & SILL
B.	(4) ASHLAND DUAL LOCKS (D2100AL/R) AT SASH LOCK STILE 8" FROM SASH CORNERS
C.	(4) ROLLER HOUSINGS AT EACH CORNER OF SASH BOTTOM RAILS.
D.	(3) TRACKS AT OPERABLE SASH HEAD & SILL
E.	(1) ALUMINUM REINFORCEMENT (10300265) IN FIXED MEETING RAIL
F.	(5) ALUMINUM REINFORCEMENT (10300266) IN SASH TOP AND BOTTOM RAILS, JAMB STILES AND SASH LOCK RAIL

NOTES:

1. MAXIMUM SASH SIZE: 36 7/8" X 60 9/16".
2. MAXIMUM D.L.O.: 33 5/8" X 57 1/16".
3. (2) WEEPS WITH COVER (97-03) AT SILL FACE 4 1/8" FROM EACH CORNER.
4. (2) 1 1/2" X 1/4" WEEP SLOT AT SILL FACE 4 1/8" FROM EACH CORNER.
5. (2) 1/8" X 12" WEEP SLOT AT SILL FACE AND SILL SASH 3 1/8" FROM EACH END.
6. (2) 1/2" X 1/8" WEEP SLOT AT SILL BEHIND GLAZING LEG.

REVISIONS			
REV	DESCRIPTION	DATE	APPROVED
A	REVISED INSTALLATION DETAILS	06/22/15	R.L.



Eastern
 ARCHITECTURAL SYSTEMS
 ALUMINUM AND VINYL
 IMPACT WINDOWS AND DOORS

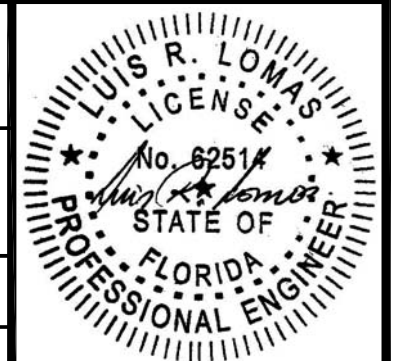
EASTERN ARCHITECTURAL SYSTEMS
 A DIVISION OF
 EASTERN METAL SUPPLY

16341 DOMESTIC AVE
 FORT MYERS, FLORIDA 33912
 800-432-2204

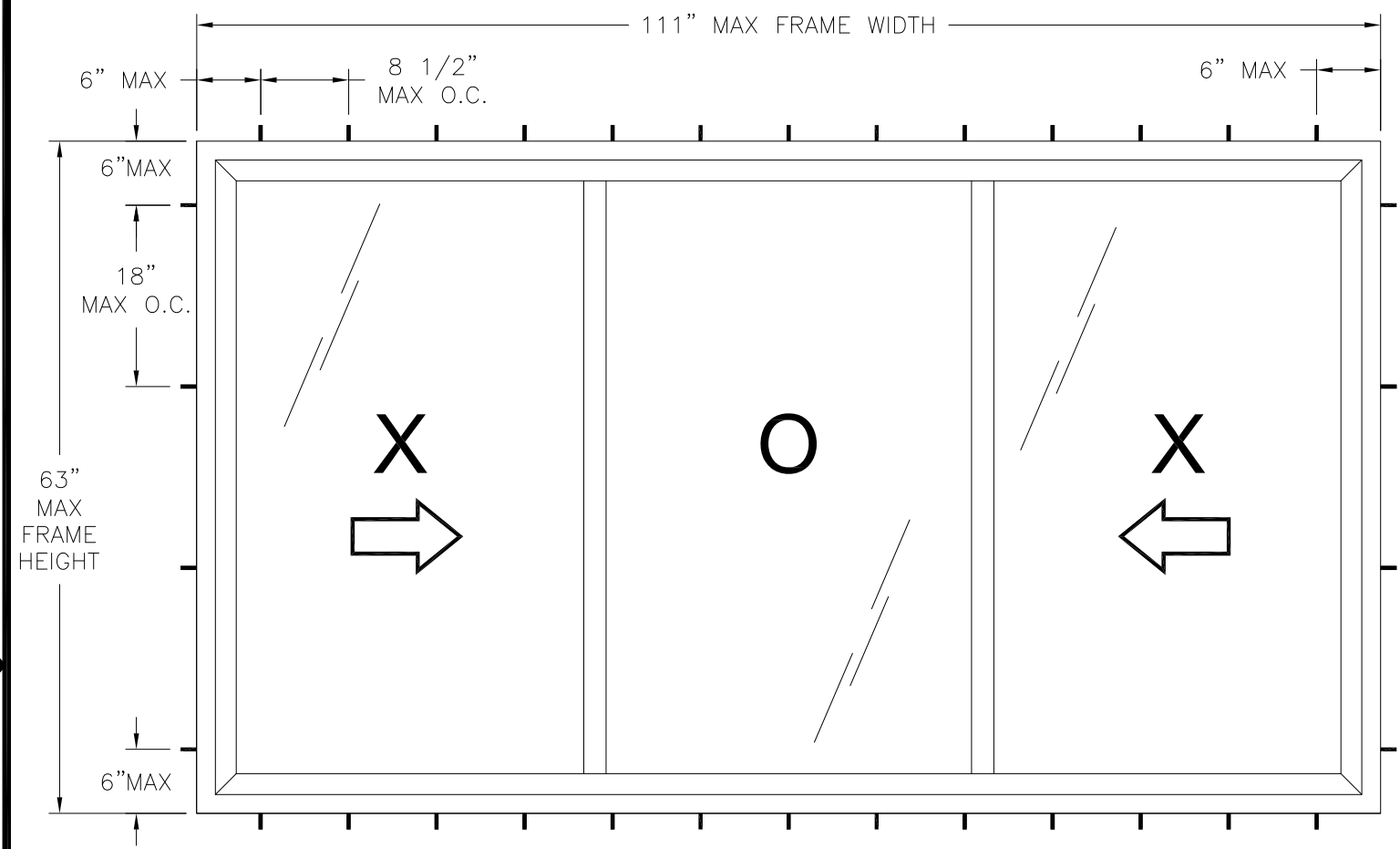
SERIES 176 SS VINYL HORIZONTAL SLIDING WINDOW
 (1/3 - 1/3 - 1/3) 111" X 63"
 ELEVATIONS

DRAWN: N.G.	DWG NO. 08-02534	REV A
SCALE NTS	DATE 11/17/14	SHEET 2 OF 7

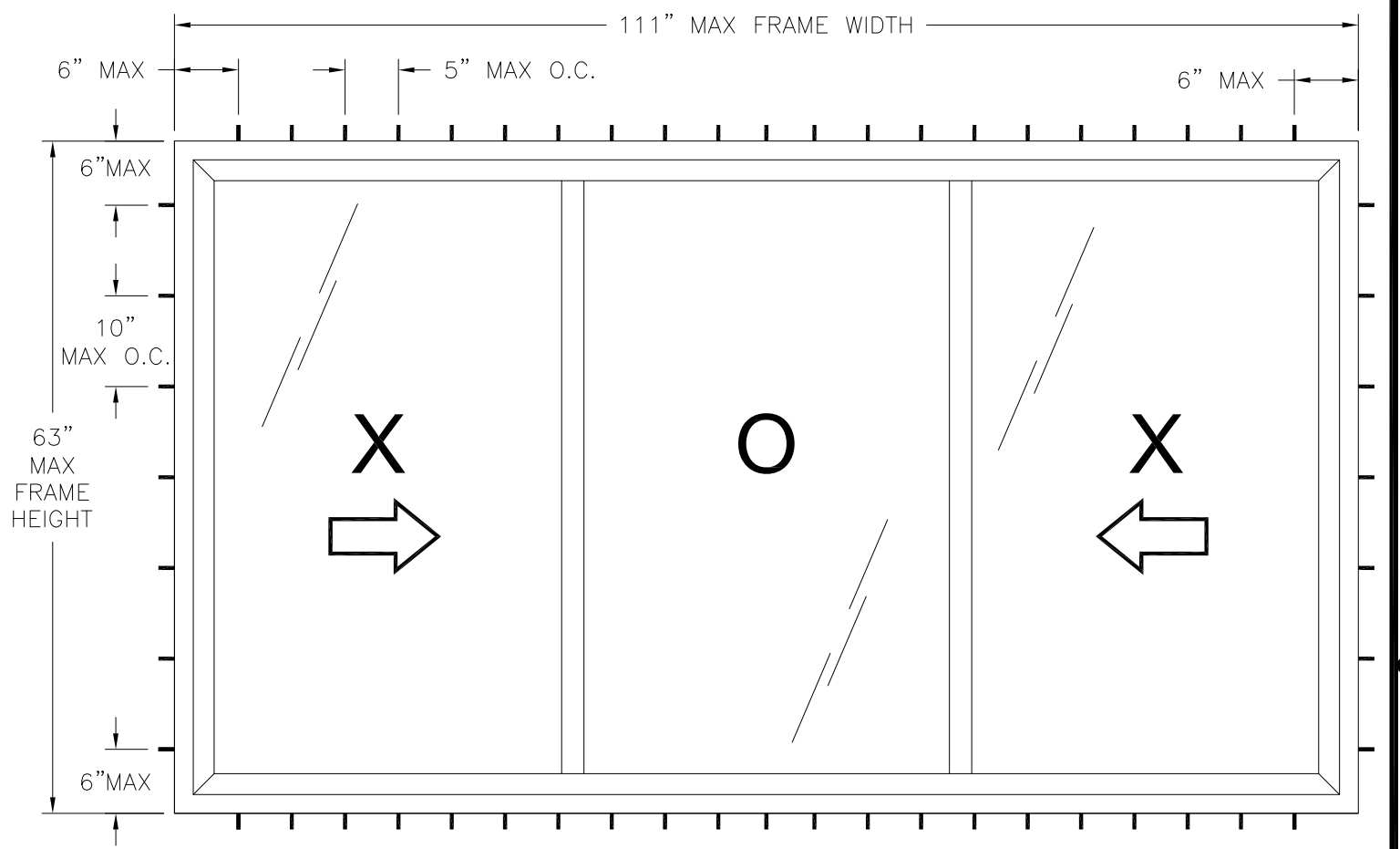
SIGNED: 06/23/2015



REVISIONS			
REV	DESCRIPTION	DATE	APPROVED
A	REVISED INSTALLATION DETAILS	06/22/15	R.L.



SERIES 176 SS VINYL HORIZONTAL SLIDING WINDOW
 EXTERIOR VIEW
 THROUGH FRAME INSTALLATION
 FOR MASONRY AND METAL STRUCTURE




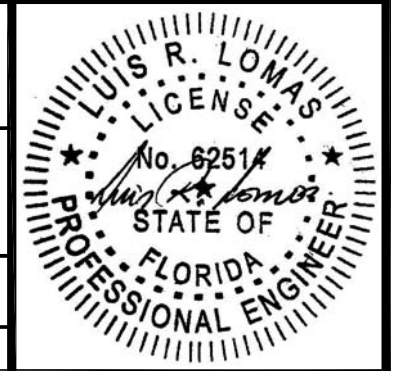
SERIES 176 SS VINYL HORIZONTAL SLIDING WINDOW
 EXTERIOR VIEW
 THROUGH FRAME INSTALLATION
 FOR WOOD FRAMING

DESIGN PRESSURE RATING	IMPACT RATING
+65.0/-85.0PSF	LARGE MISSILE IMPACT

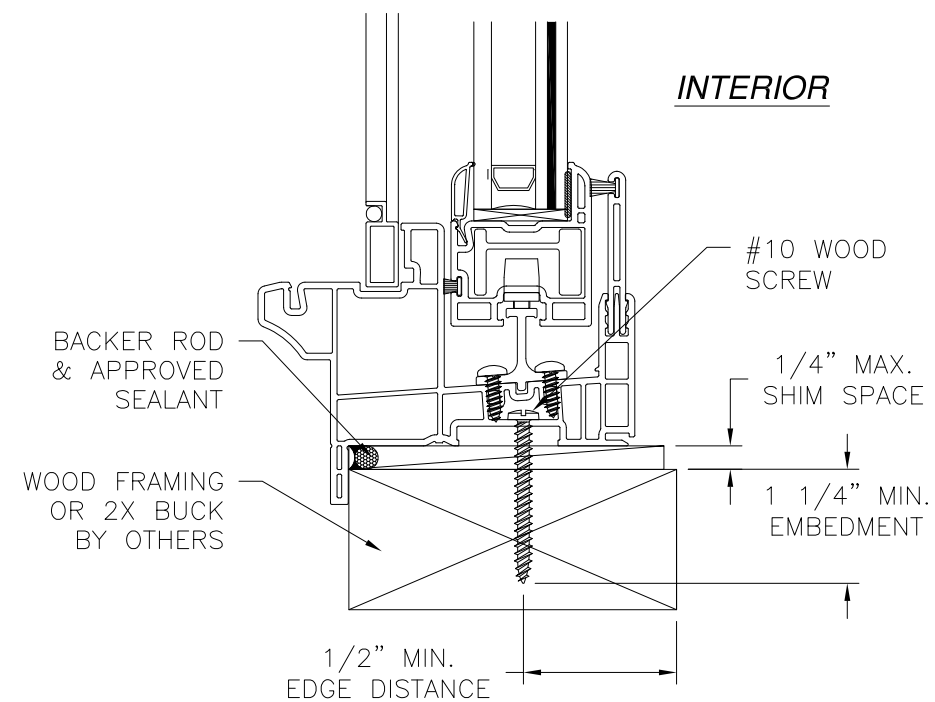
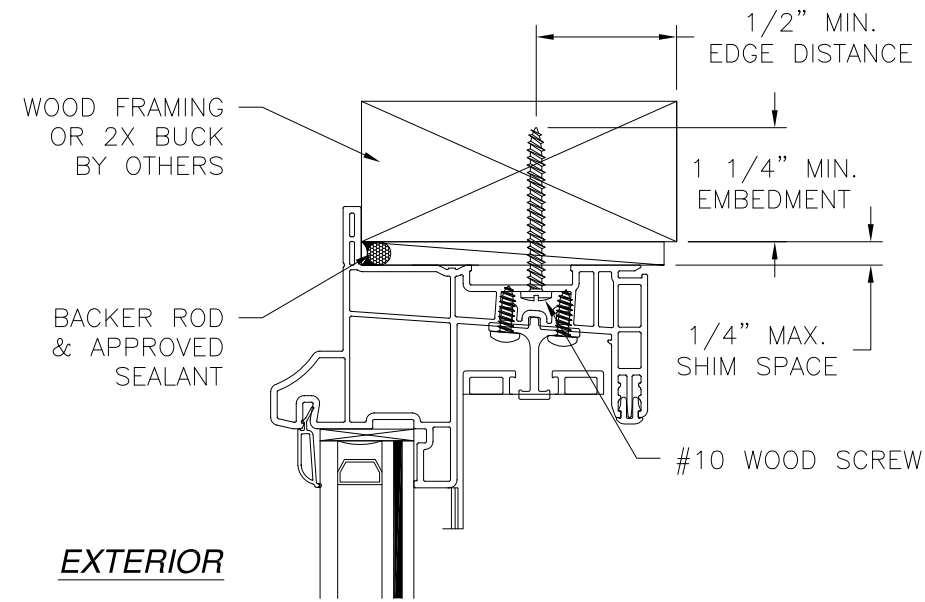
MISSILE LEVEL D, WIND ZONE 4 AND HVHZ

SIGNED: 06/23/2015

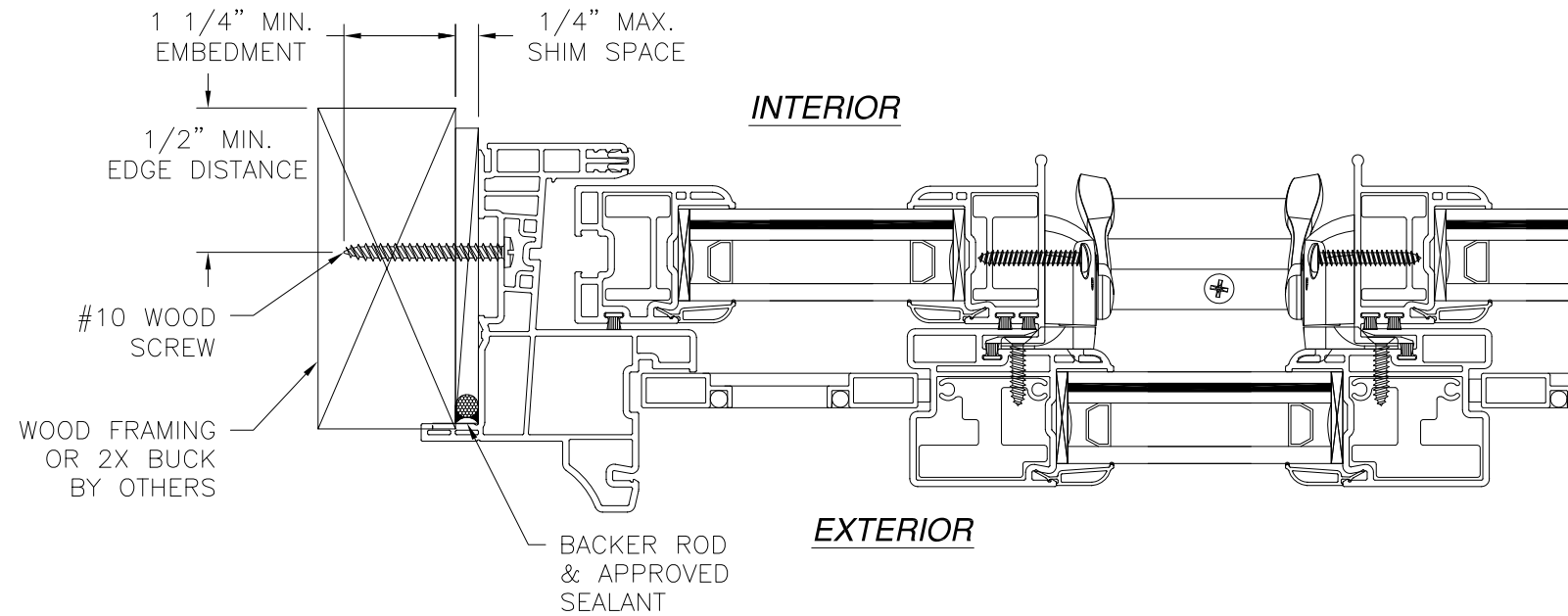
 Eastern ARCHITECTURAL SYSTEMS ALUMINUM AND VINYL IMPACT WINDOWS AND DOORS	EASTERN ARCHITECTURAL SYSTEMS A DIVISION OF EASTERN METAL SUPPLY 16341 DOMESTIC AVE FORT MYERS, FLORIDA 33912 800-432-2204	
	SERIES 176 SS VINYL HORIZONTAL SLIDING WINDOW (1/3 - 1/3 - 1/3) 111" X 63" ELEVATIONS	
DRAWN: N.G.	DWG NO. 08-02534	REV A
SCALE NTS	DATE 11/17/14	SHEET 3 OF 7



REVISIONS			
REV	DESCRIPTION	DATE	APPROVED
A	REVISED INSTALLATION DETAILS	06/22/15	R.L.



VERTICAL CROSS SECTION
WOOD FRAMING OR 2X BUCK INSTALLATION

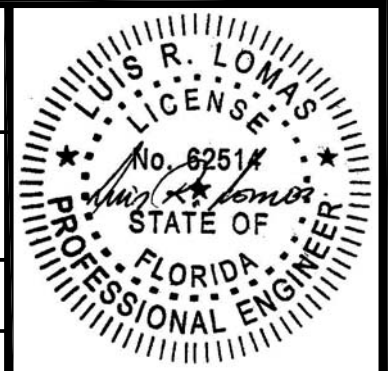


JAMB INSTALLATION DETAIL
WOOD FRAMING OR 2X BUCK INSTALLATION

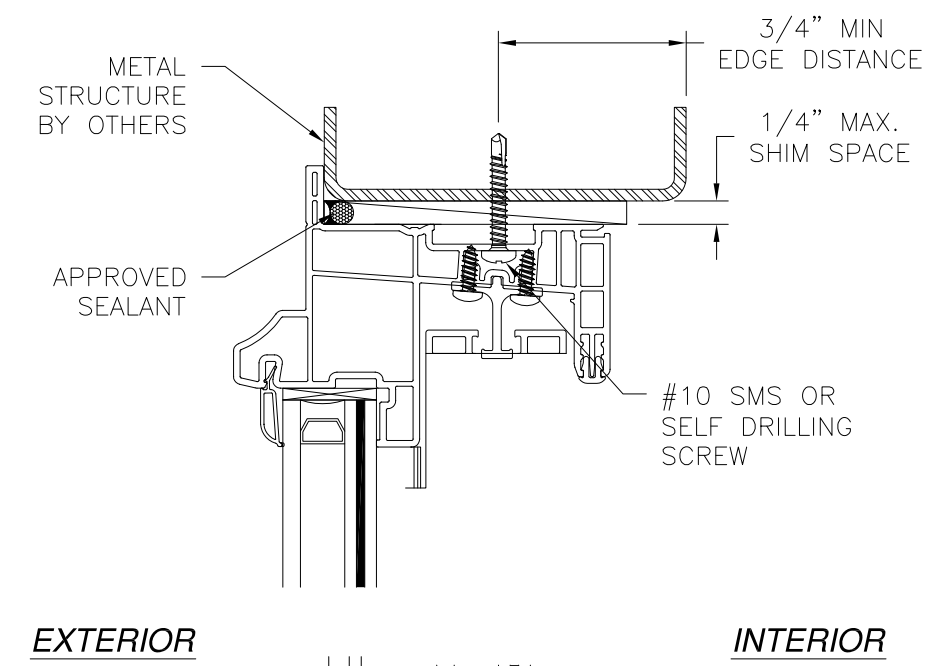
- NOTES:**
1. INTERIOR AND EXTERIOR FINISHES, BY OTHERS, NOT SHOWN FOR CLARITY.
 2. PERIMETER AND JOINT SEALANT BY OTHERS TO BE DESIGNED IN ACCORDANCE WITH ASTM E2112

SIGNED: 06/23/2015

 Eastern ARCHITECTURAL SYSTEMS ALUMINUM AND VINYL IMPACT WINDOWS AND DOORS	EASTERN ARCHITECTURAL SYSTEMS A DIVISION OF EASTERN METAL SUPPLY 16341 DOMESTIC AVE FORT MYERS, FLORIDA 33912 800-432-2204	
	SERIES 176 SS VINYL HORIZONTAL SLIDING WINDOW (1/3 - 1/3 - 1/3) 111" X 63" INSTALLATION DETAILS	
DRAWN: N.G.	DWG NO. 08-02534	REV A
SCALE NTS	DATE 11/17/14	SHEET 4 OF 7

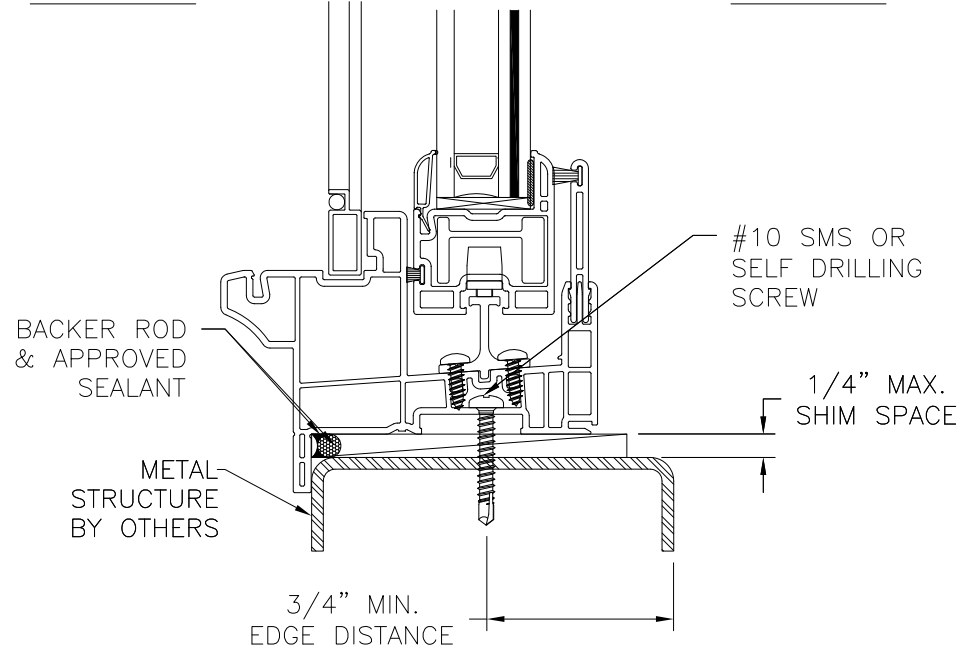


REVISIONS			
REV	DESCRIPTION	DATE	APPROVED
A	REVISED INSTALLATION DETAILS	06/22/15	R.L.

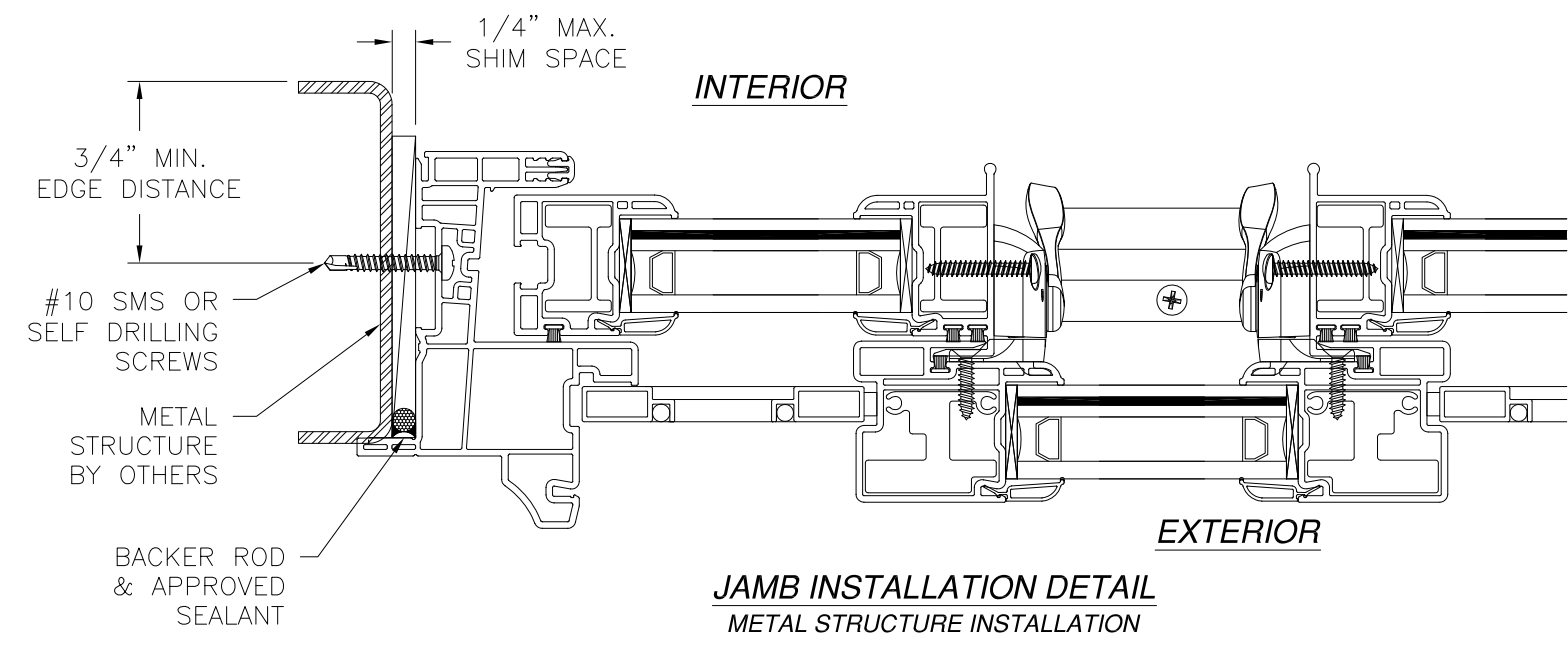


EXTERIOR

INTERIOR



VERTICAL CROSS SECTION
METAL STRUCTURE INSTALLATION




INTERIOR

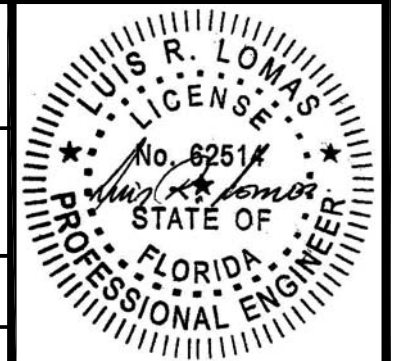
EXTERIOR

JAMB INSTALLATION DETAIL
METAL STRUCTURE INSTALLATION

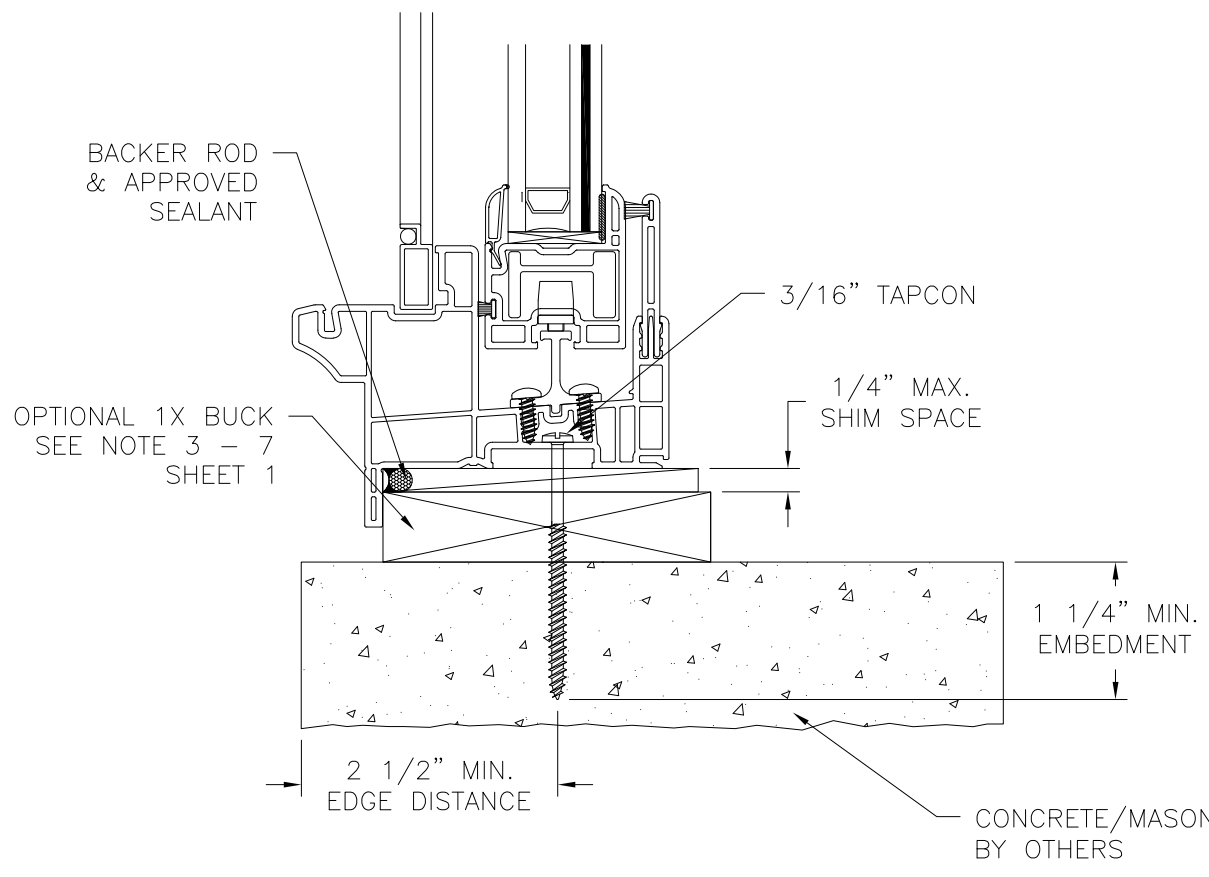
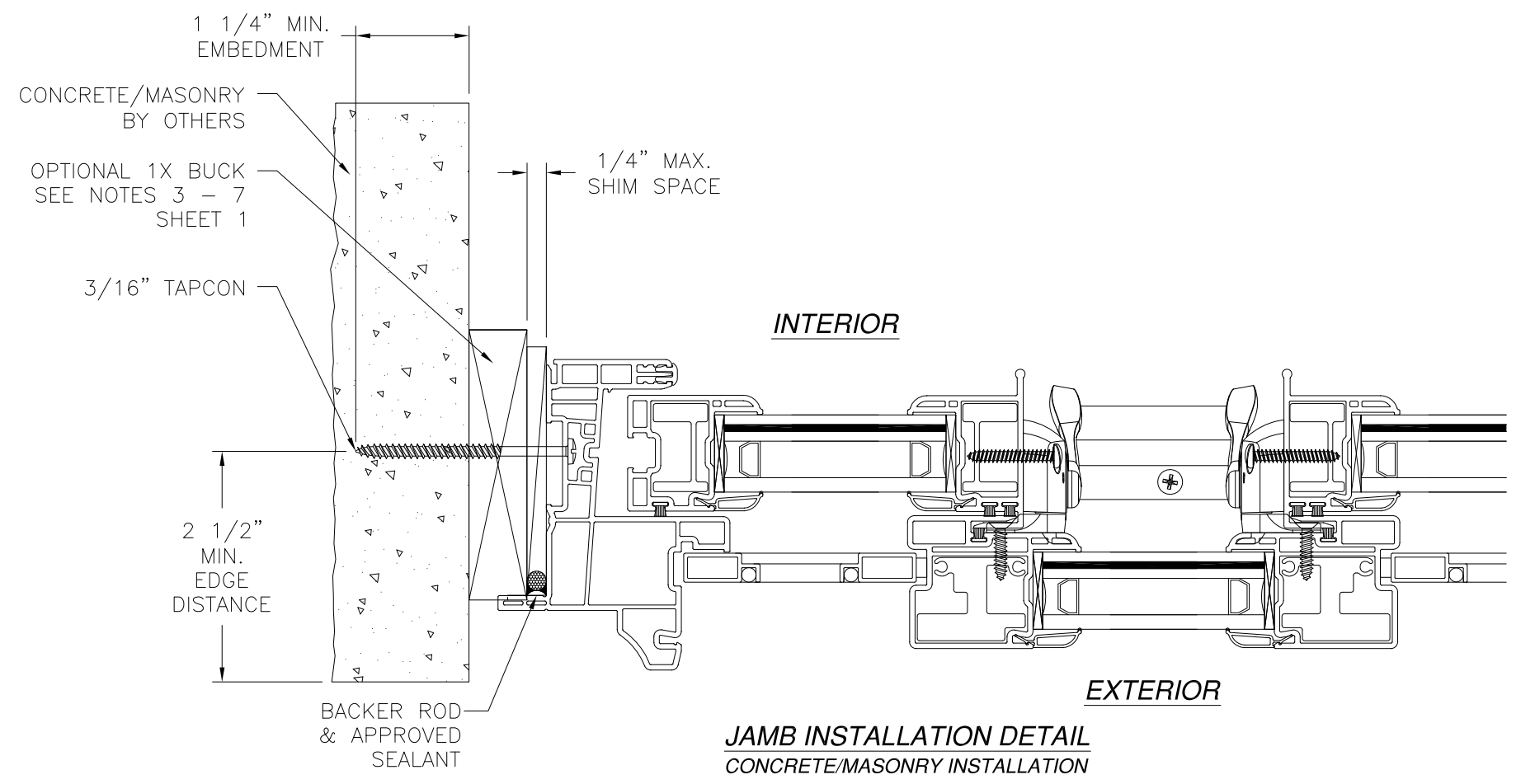
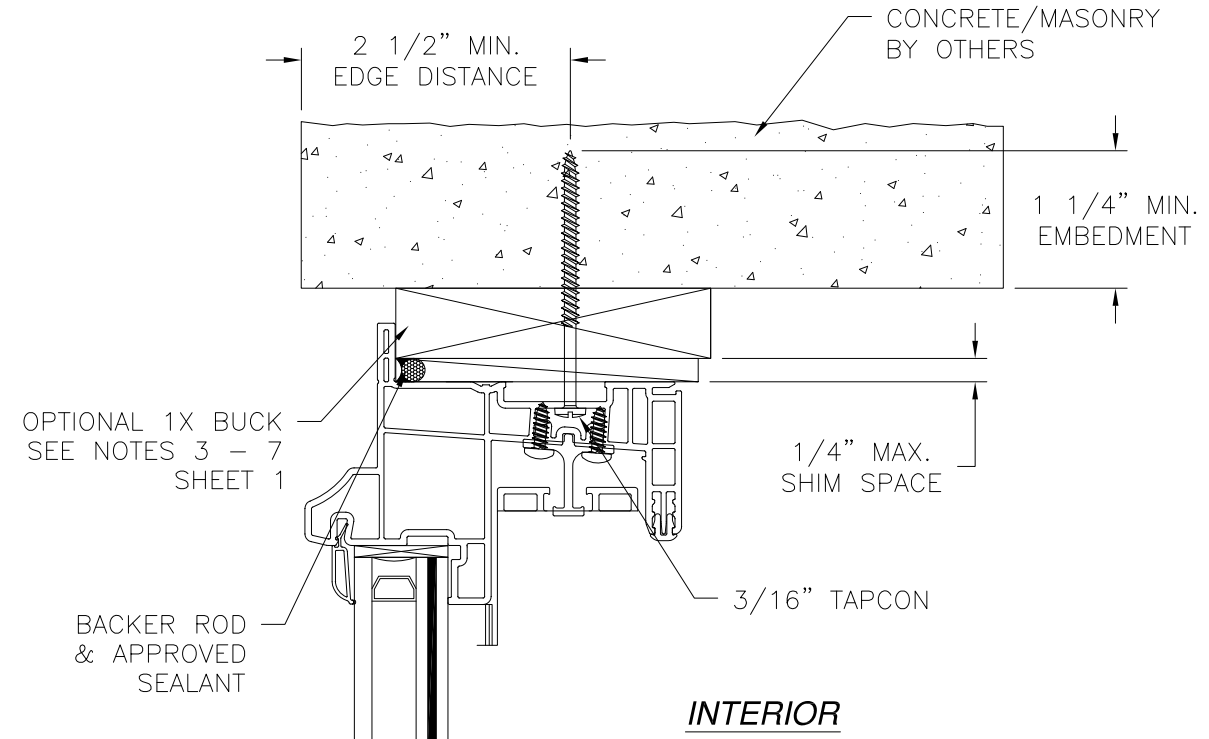
NOTES:
1. INTERIOR AND EXTERIOR FINISHES, BY OTHERS, NOT SHOWN FOR CLARITY.
2. PERIMETER AND JOINT SEALANT BY OTHERS TO BE DESIGNED IN ACCORDANCE WITH ASTM E2112

SIGNED: 06/23/2015

 Eastern ARCHITECTURAL SYSTEMS ALUMINUM AND VINYL IMPACT WINDOWS AND DOORS	EASTERN ARCHITECTURAL SYSTEMS A DIVISION OF EASTERN METAL SUPPLY 16341 DOMESTIC AVE FORT MYERS, FLORIDA 33912 800-432-2204	
	SERIES 176 SS VINYL HORIZONTAL SLIDING WINDOW (1/3 - 1/3 - 1/3) 111" X 63" INSTALLATION DETAILS	
DRAWN: N.G.	DWG NO. 08-02534	REV A
SCALE NTS	DATE 11/17/14	SHEET 5 OF 7




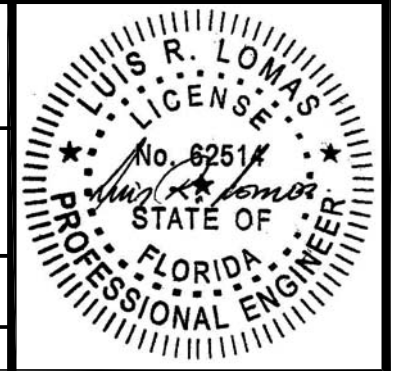
REVISIONS			
REV	DESCRIPTION	DATE	APPROVED
A	REVISED INSTALLATION DETAILS	06/22/15	R.L.



NOTES:
 1. INTERIOR AND EXTERIOR FINISHES, BY OTHERS, NOT SHOWN FOR CLARITY.
 2. PERIMETER AND JOINT SEALANT BY OTHERS TO BE DESIGNED IN ACCORDANCE WITH ASTM E2112

SIGNED: 06/23/2015

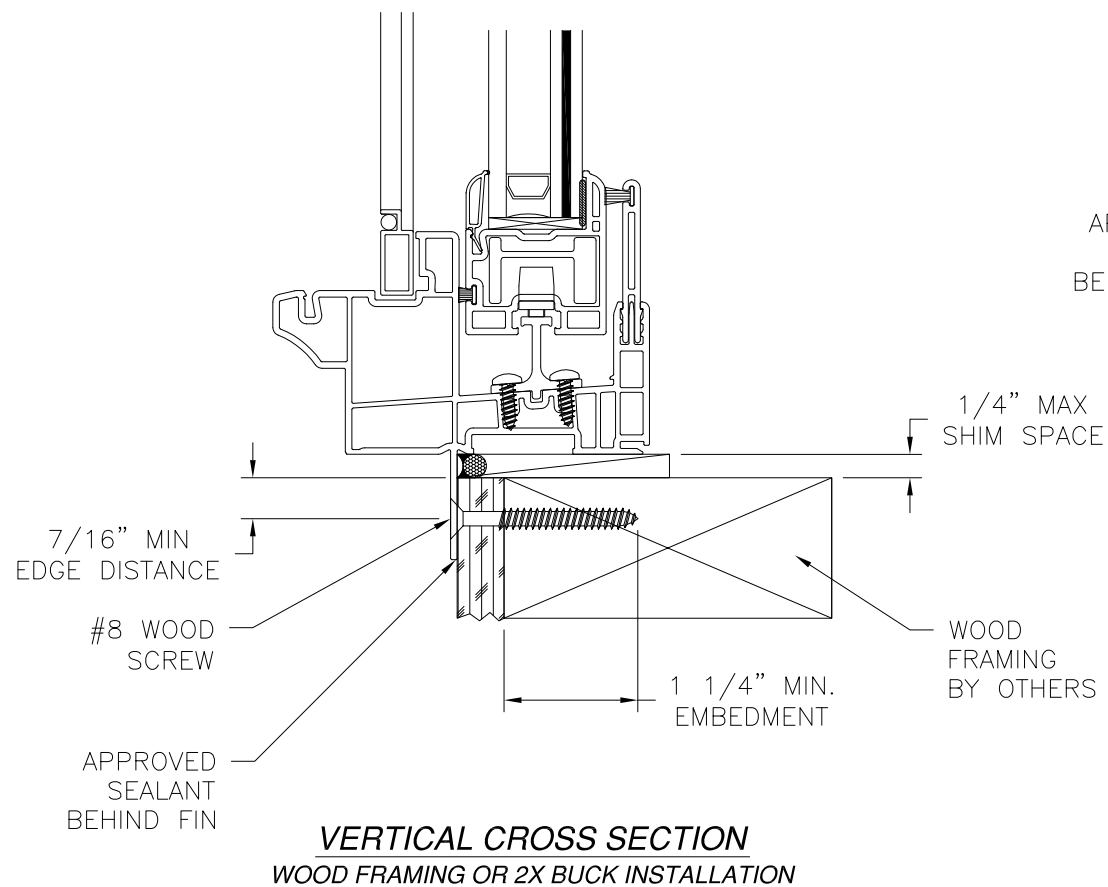
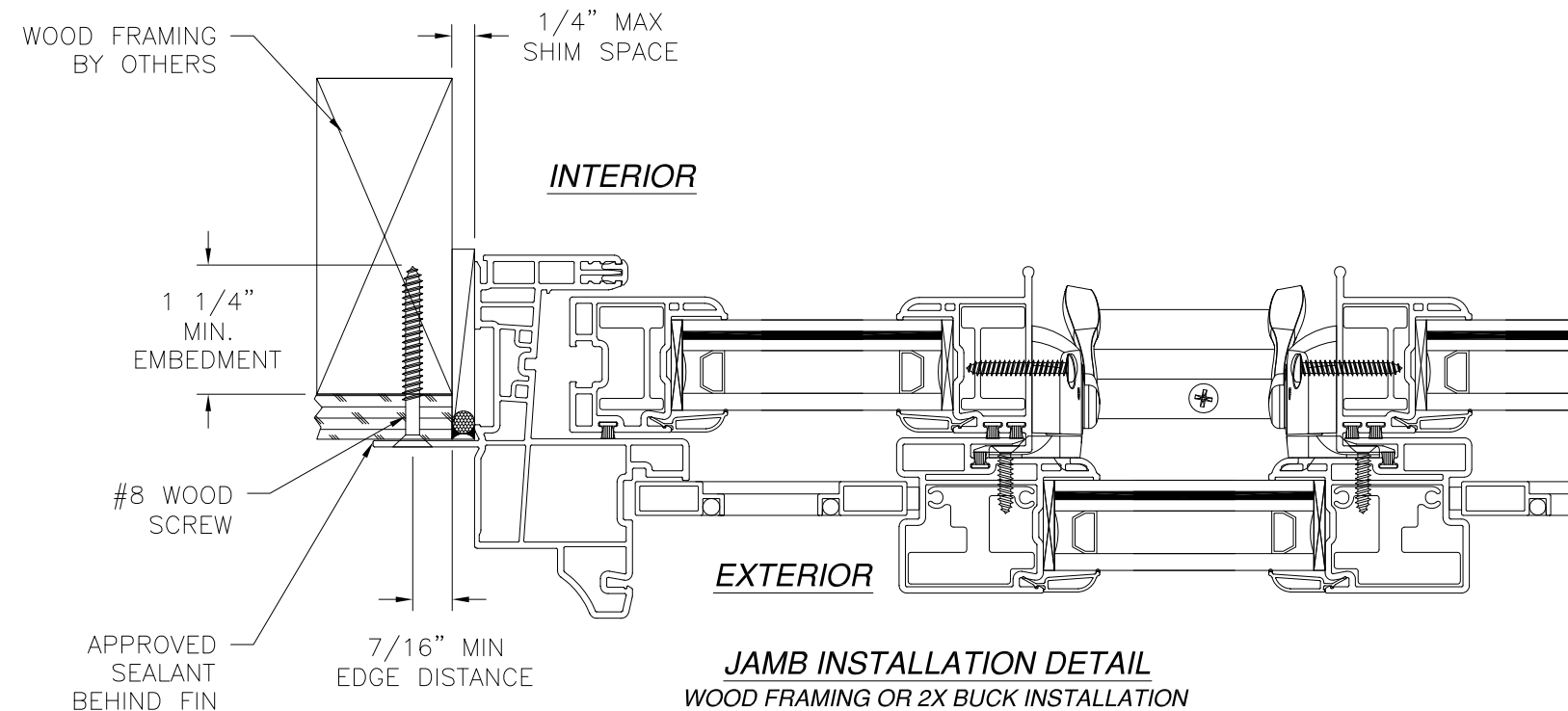
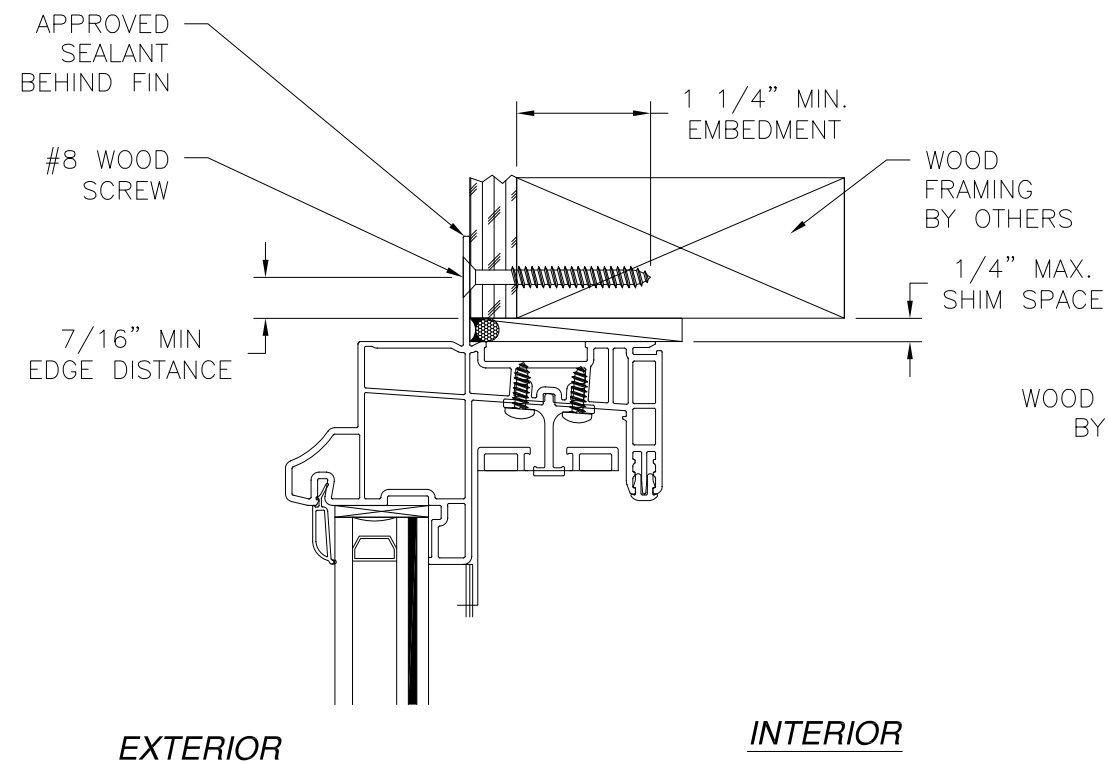
 Eastern ARCHITECTURAL SYSTEMS ALUMINUM AND VINYL IMPACT WINDOWS AND DOORS	EASTERN ARCHITECTURAL SYSTEMS A DIVISION OF EASTERN METAL SUPPLY 16341 DOMESTIC AVE FORT MYERS, FLORIDA 33912 800-432-2204	
	SERIES 176 SS VINYL HORIZONTAL SLIDING WINDOW (1/3 - 1/3 - 1/3) 111" X 63" INSTALLATION DETAILS	
DRAWN: N.G.	DWG NO. 08-02534	REV A
SCALE NTS	DATE 11/17/14	SHEET 6 OF 7



VERTICAL CROSS SECTION
 CONCRETE/MASONRY INSTALLATION

JAMB INSTALLATION DETAIL
 CONCRETE/MASONRY INSTALLATION

REVISIONS			
REV	DESCRIPTION	DATE	APPROVED
A	REVISED INSTALLATION DETAILS	06/22/15	R.L.



- NOTES:**
1. INTERIOR AND EXTERIOR FINISHES, BY OTHERS, NOT SHOWN FOR CLARITY.
 2. PERIMETER AND JOINT SEALANT BY OTHERS TO BE DESIGNED IN ACCORDANCE WITH ASTM E2112

SIGNED: 06/23/2015

 Eastern ARCHITECTURAL SYSTEMS ALUMINUM AND VINYL IMPACT WINDOWS AND DOORS	EASTERN ARCHITECTURAL SYSTEMS A DIVISION OF EASTERN METAL SUPPLY
	16341 DOMESTIC AVE FORT MYERS, FLORIDA 33912 800-432-2204

SERIES 176 SS VINYL HORIZONTAL SLIDING WINDOW
 (1/3 - 1/3 - 1/3) 111" X 63"
 INSTALLATION DETAILS

DRAWN: N.G.	DWG NO. 08-02534	REV A
SCALE NTS	DATE 11/17/14	SHEET 7 OF 7

