

REVISIONS			
REV	DESCRIPTION	DATE	APPROVED
D	REVISED INSTALLATION DETAILS	01/04/2023	R.L.


NOTES:

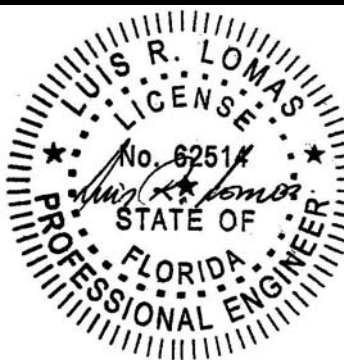
1. THE PRODUCT SHOWN HEREIN IS DESIGNED AND MANUFACTURED TO COMPLY WITH REQUIREMENTS OF THE FLORIDA BUILDING CODE.
2. WOOD FRAMING AND MASONRY OPENING TO BE DESIGNED AND ANCHORED TO PROPERLY TRANSFER ALL LOADS TO STRUCTURE. FRAMING AND MASONRY OPENING IS THE RESPONSIBILITY OF THE ARCHITECT OR ENGINEER OF RECORD.
3. WHERE SHIM OR BUCK THICKNESS IS LESS THAN 1-1/2" WINDOW UNITS MUST BE ANCHORED THROUGH THE FRAME IN ACCORDANCE WITH MANUFACTURER'S PUBLISHED INSTALLATION INSTRUCTIONS. ANCHORS SHALL BE SECURELY FASTENED DIRECTLY INTO MASONRY, CONCRETE OR OTHER STRUCTURAL SUBSTRATE MATERIAL.
4. WHERE WOOD BUCK THICKNESS IS 1-1/2" OR GREATER, BUCK SHALL BE SECURELY FASTENED TO MASONRY, CONCRETE OR OTHER STRUCTURAL SUBSTRATE. WINDOW UNITS MAY BE ANCHORED THROUGH FRAME TO SECURED WOOD BUCK IN ACCORDANCE WITH MANUFACTURER'S PUBLISHED INSTALLATION INSTRUCTIONS.
5. WHERE 1X BUCK IS NOT USED DISSIMILAR MATERIALS MUST BE SEPARATED WITH APPROVED COATING OR MEMBRANE. SELECTION OF COATING OR MEMBRANE IS THE RESPONSIBILITY OF THE ARCHITECT OR ENGINEER OF RECORD.
6. BUCKS SHALL EXTEND BEYOND WINDOW INTERIOR FACE SO THAT FULL FRAME SUPPORT IS PROVIDED.
7. SHIM AS REQUIRED AT EACH ANCHOR LOCATION WITH LOAD BEARING SHIM. SHIM WHERE SPACE OF 1/16" OR GREATER OCCURS. MAXIMUM ALLOWABLE SHIM STACK TO BE 1/4".
8. SHIMS SHALL BE LOCATED, APPLIED AND MADE FROM MATERIALS AND THICKNESS CAPABLE OF SUSTAINING APPLICABLE LOADS.
9. WIND LOAD DURATION FACTOR Cd=1.6 WAS USED FOR WOOD ANCHOR CALCULATIONS.
10. FRAME MATERIAL: EXTRUDED RIGID PVC.
11. UNITS MUST BE GLAZED PER ASTM E1300.
12. APPROVED IMPACT PROTECTIVE SYSTEM IS REQUIRED FOR THIS PRODUCT IN WIND BORNE DEBRIS REGIONS.

13. FOR ANCHORING THROUGH FRAME INTO WOOD FRAMING OR 2X BUCK USE #8 WOOD SCREWS WITH SUFFICIENT LENGTH TO ACHIEVE A 1 1/4" MINIMUM EMBEDMENT INTO SUBSTRATE. LOCATE ANCHORS AS SHOWN IN ELEVATIONS AND INSTALLATION DETAILS.
14. FOR ANCHORING THROUGH FRAME INTO MASONRY/CONCRETE USE 3/16" TAPCONS WITH SUFFICIENT LENGTH TO ACHIEVE A 1 1/4" MINIMUM EMBEDMENT INTO SUBSTRATE WITH 2" MINIMUM EDGE DISTANCE. LOCATE ANCHORS AS SHOWN IN ELEVATIONS AND INSTALLATION DETAILS.
15. FOR ANCHORING THROUGH FRAME INTO METAL STRUCTURE USE #8 SMS OR SELF DRILLING SCREWS WITH SUFFICIENT LENGTH TO ACHIEVE 3 THREADS MINIMUM BEYOND STRUCTURE INTERIOR WALL. LOCATE ANCHORS AS SHOWN IN ELEVATIONS AND INSTALLATION DETAILS.
16. ALL FASTENERS TO BE CORROSION RESISTANT.
17. INSTALLATION ANCHORS SHALL BE INSTALLED IN ACCORDANCE WITH ANCHOR MANUFACTURER'S INSTALLATION INSTRUCTIONS AND ANCHORS SHALL NOT BE USED IN SUBSTRATES WITH STRENGTHS LESS THAN THE MINIMUM STRENGTH SPECIFIED BELOW:
 - A. WOOD – MINIMUM SPECIFIC GRAVITY OF G=0.42
 - B. CONCRETE – MINIMUM COMPRESSIVE STRENGTH OF 3,192 PSI.
 - C. MASONRY – STRENGTH CONFORMANCE TO ASTM C-90, GRADE N, TYPE 1 (OR GREATER).
 - D. METAL STRUCTURE: STEEL 18GA, 33KSI OR ALUMINUM 6063-T5 .048" THICK MINIMUM
18. APPROVED CONFIGURATIONS: XO, OX.

SIGNED: 01/16/2023

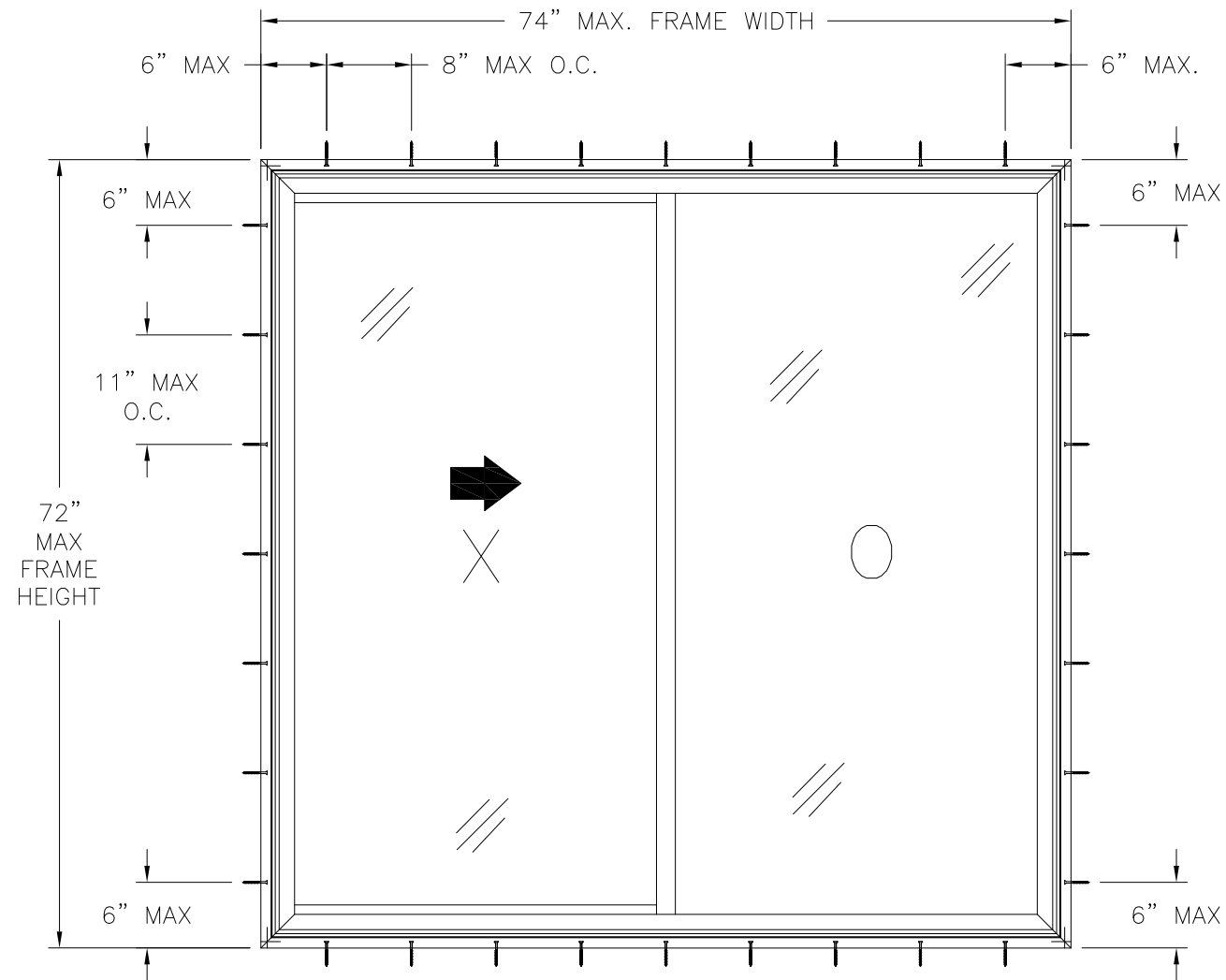
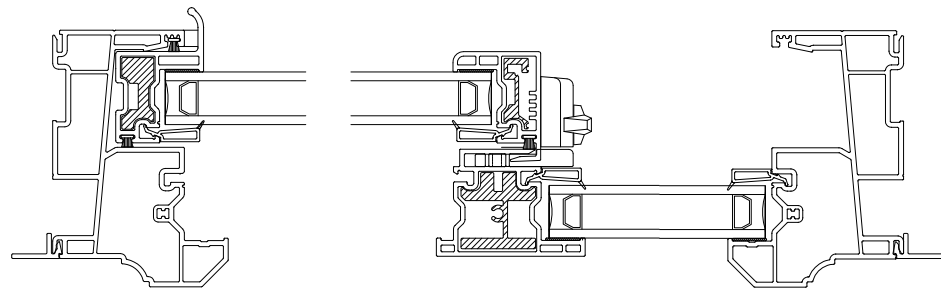
TABLE OF CONTENTS	
SHEET NO.	DESCRIPTION
1	NOTES
2	ELEVATION
3 – 8	INSTALLATION DETAILS
9	COMPONENTS

		EASTERN ARCHITECTURAL SYSTEMS A DIVISION OF EASTERN METAL SUPPLY 16341 DOMESTIC AVE FORT MYERS, FL 33912 800-432-2204	
143.095 SS HORIZONTAL SLIDING WINDOW 74" X 72" NON-IMPACT NOTES			
DRAWN: N.G.		DWG NO. 08-02526	
SCALE NTS		DATE 11/03/14	
		SHEET 1 OF 9	
L. ROBERTO LOMAS P.E. 400 S. PALM AVE, INDIALANTIC, FL 32903 434-688-0609 rllomas@rlomaspe.com			



Luis R. Lomas P.E.
FL No.: 62514

REVISIONS			
REV	DESCRIPTION	DATE	APPROVED
D	REVISED INSTALLATION DETAILS	01/04/2023	R.L.



NOTES:

1. MAXIMUM PANEL SIZE: 35 3/4" X 67 1/4"
2. MAXIMUM D.L.O.: 33 3/16" X 66 1/2"
3. (2) WEEP COVERS AT SILL FACE 2" FROM EACH CORNER.
4. (2) WEEP SLOTS AT SILL FACE 2" FROM EACH CORNER.
5. (2) WEEP SLOTS AT SILL FRAME UNDER GLASS.


143.095 SS HORIZONTAL SLIDING WINDOW

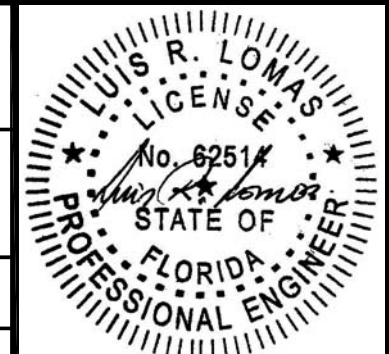
DESIGN PRESSURE RATING	IMPACT RATING
+35.0/-40.0PSF	NONE

HARDWARE SCHEDULE

A.	(2) KEEPERS AT FIXED MEETING STILE 8" FROM HEAD & SILL
B.	(2) LOCKS AT SASH LOCK STILE 8" FROM EACH CORNER
C.	(2) ROLLERS AT SASH RAIL CORNERS.
D.	(1) ALUMINUM REINFORCEMENT (10300084) IN FIXED MEETING STILE
E.	(2) ALUMINUM REINFORCEMENT (10300082) IN EACH SASH RAIL
F.	(1) ALUMINUM REINFORCEMENT (10300207) IN SASH PULL STILE.

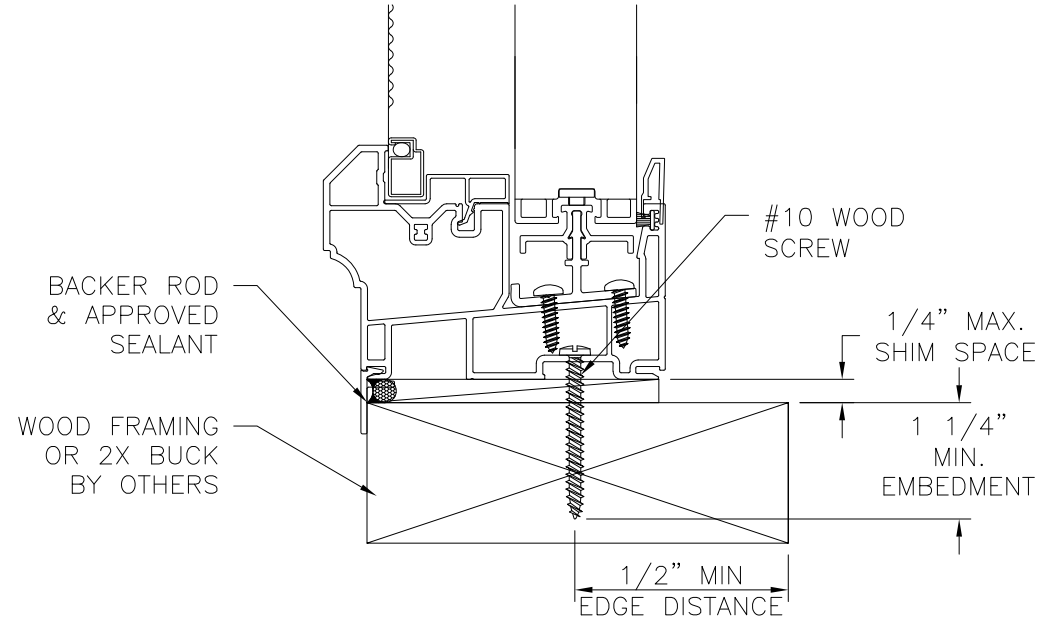
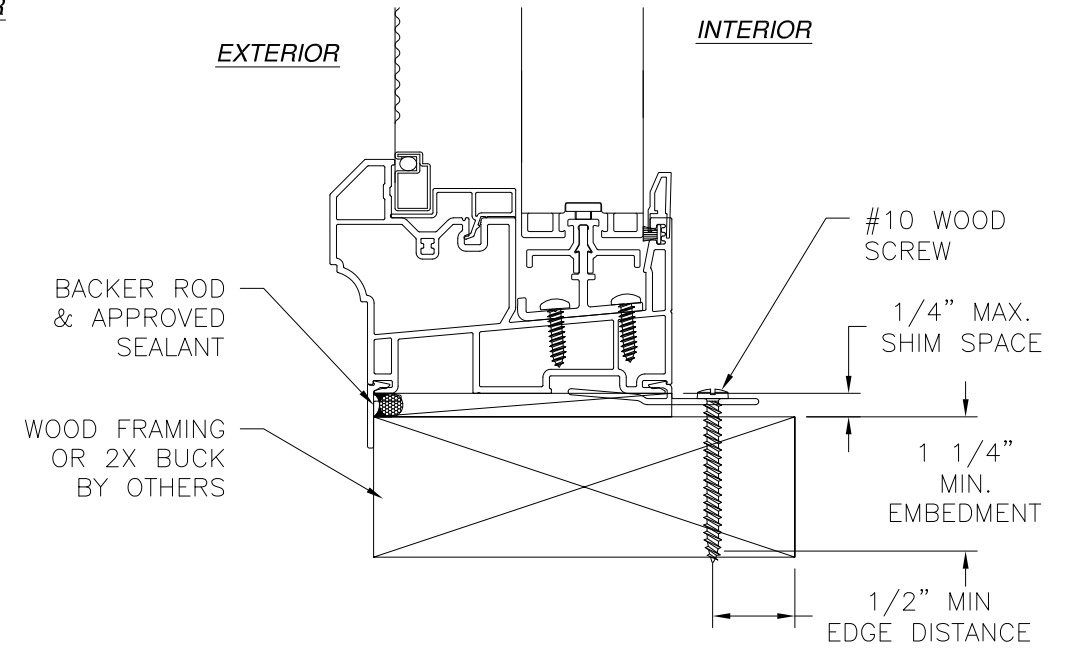
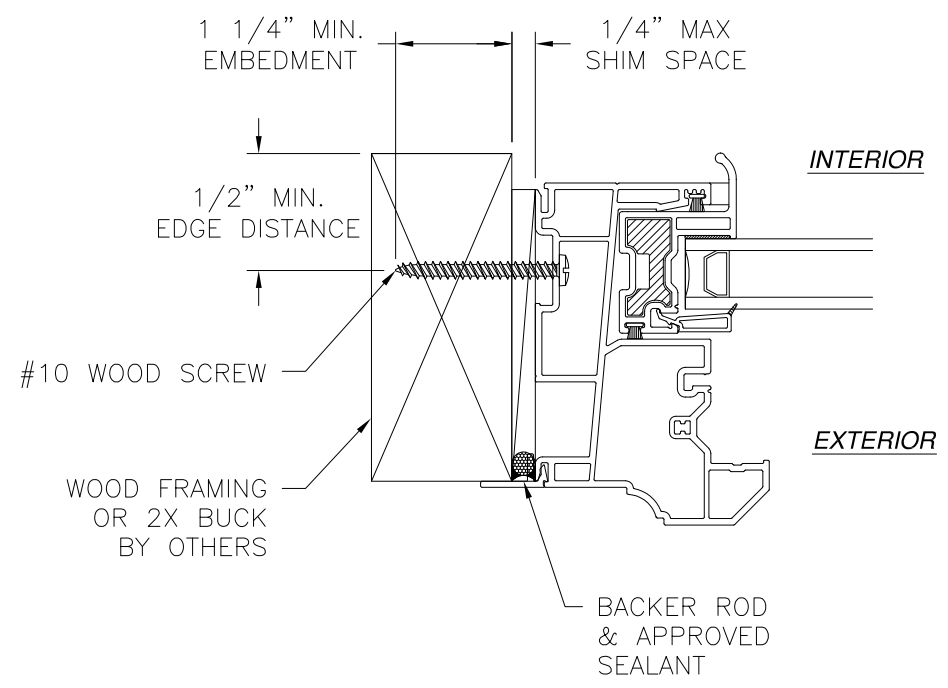
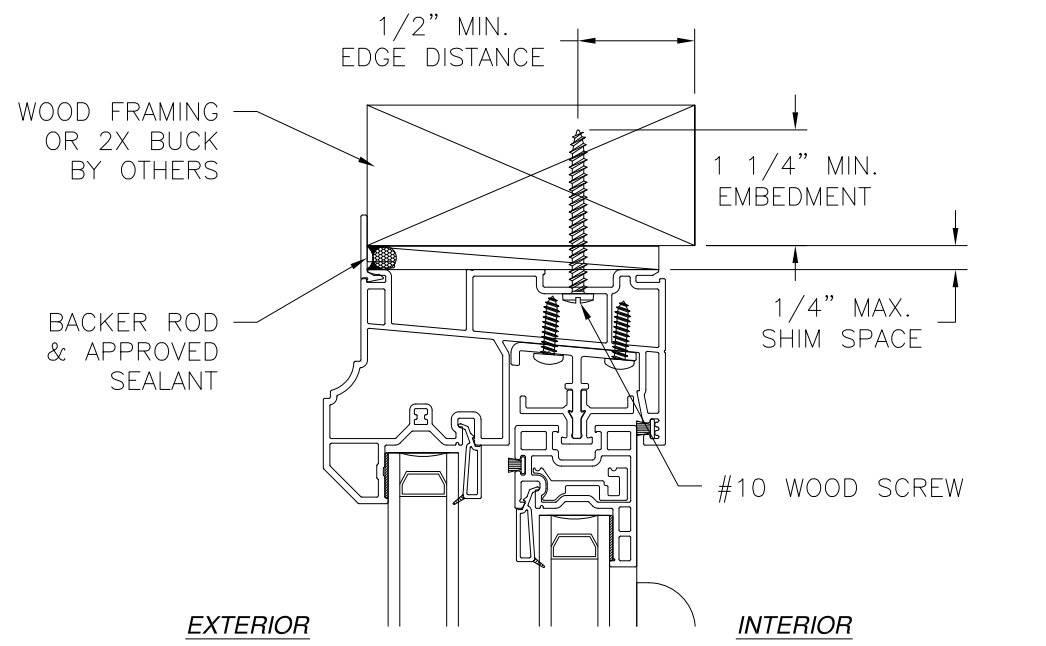
SIGNED: 01/16/2023

		EASTERN ARCHITECTURAL SYSTEMS A DIVISION OF EASTERN METAL SUPPLY 16341 DOMESTIC AVE FORT MYERS, FL 33912 800-432-2204	
143.095 SS HORIZONTAL SLIDING WINDOW 74" X 72" NON-IMPACT ELEVATIONS			
DRAWN: N.G.	DWG NO. 08-02526	REV B	
SCALE NTS	DATE 11/03/14	SHEET 2 OF 9	
L. ROBERTO LOMAS P.E. 400 S. PALM AVE, INDIALANTIC, FL 32903 434-688-0609 rllomas@rlomaspe.com			



Luis R. Lomas P.E.
FL No.: 62514

REVISIONS			
REV	DESCRIPTION	DATE	APPROVED
D	REVISED INSTALLATION DETAILS	01/04/2023	R.L.



JAMB INSTALLATION DETAIL
WOOD FRAMING OR 2X BUCK INSTALLATION

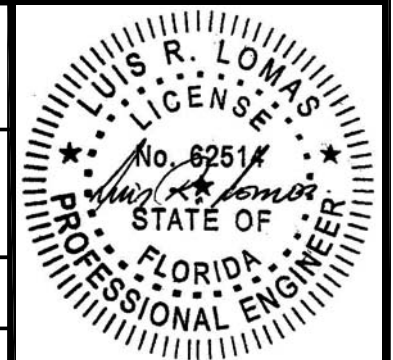
VERTICAL CROSS SECTION
WOOD FRAMING OR 2X BUCK CLIP INSTALLATION

VERTICAL CROSS SECTION
WOOD FRAMING OR 2X BUCK THROUGH FRAME
INSTALLATION

NOTES:
1. INTERIOR AND EXTERIOR FINISHES, BY OTHERS, NOT SHOWN FOR CLARITY.
2. PERIMETER AND JOINT SEALANT BY OTHERS TO BE DESIGNED IN ACCORDANCE WITH ASTM E2112

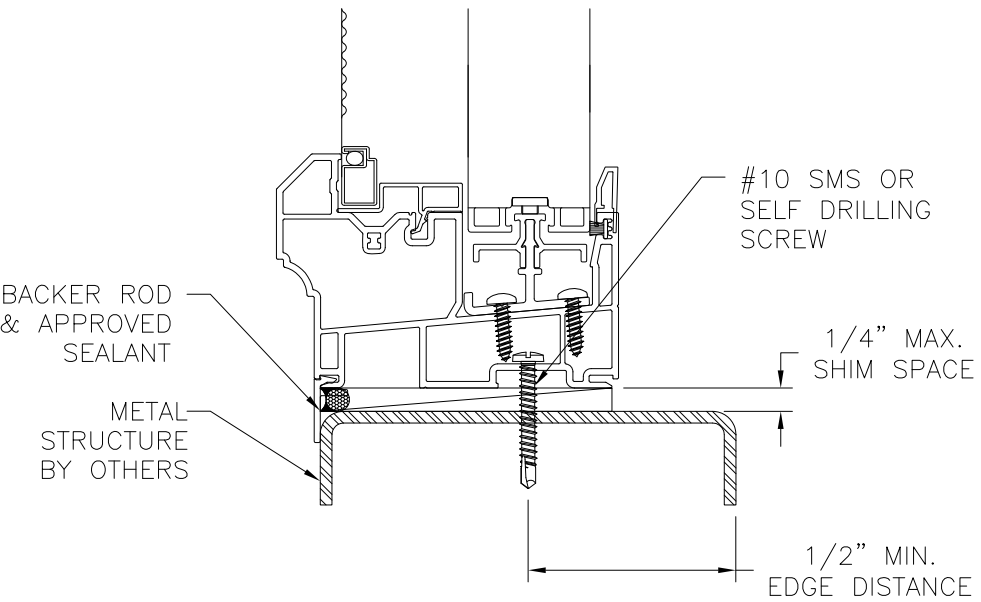
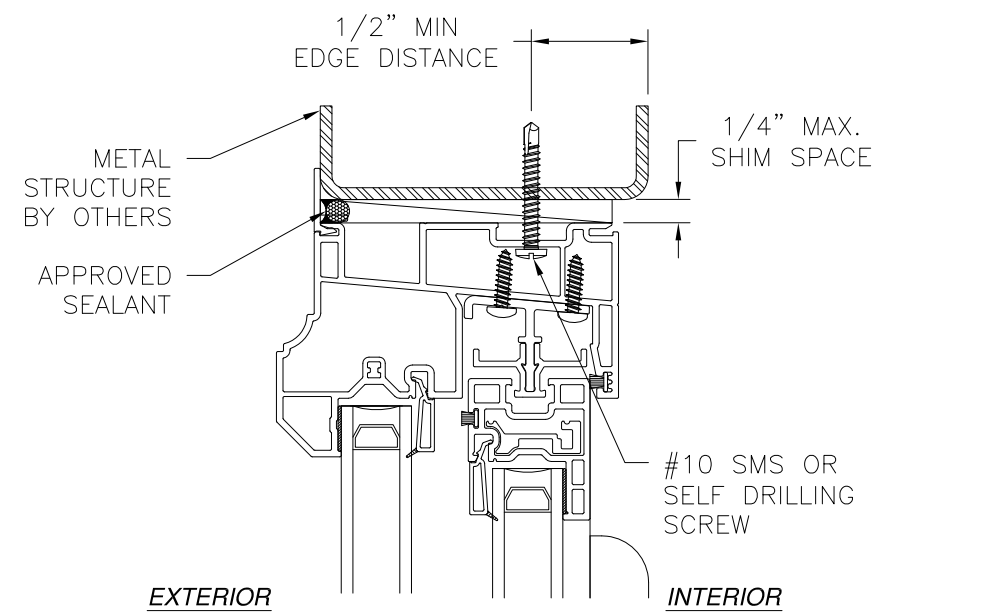
SIGNED: 01/16/2023

		EASTERN ARCHITECTURAL SYSTEMS A DIVISION OF EASTERN METAL SUPPLY 16341 DOMESTIC AVE FORT MYERS, FL 33912 800-432-2204	
143.095 SS HORIZONTAL SLIDING WINDOW 74" X 72" NON-IMPACT FLANGE INSTALLATION DETAILS			
DRAWN: N.G.	DWG NO. 08-02526	REV B	
SCALE NTS	DATE 11/03/14	SHEET 3 OF 9	
L. ROBERTO LOMAS P.E. 400 S. PALM AVE, INDIALANTIC, FL 32903 434-688-0609 rllomas@rlomaspe.com			

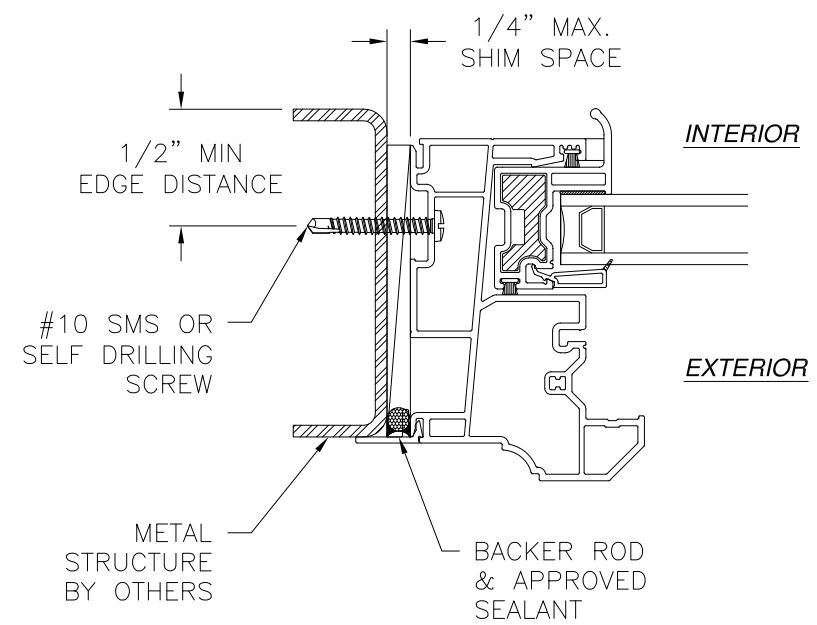


Luis R. Lomas P.E.
FL No.: 62514

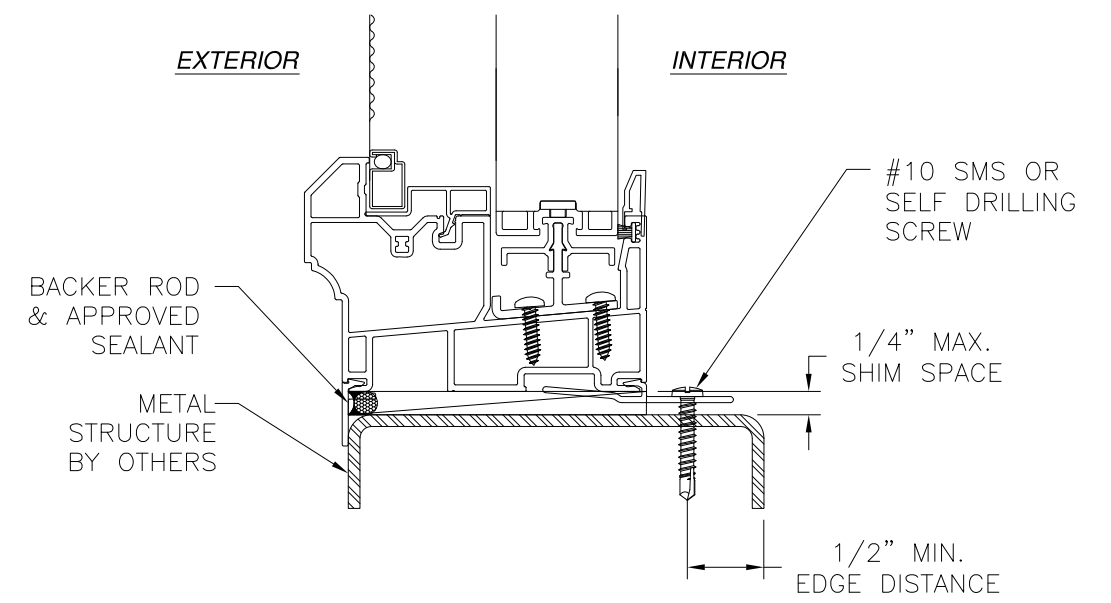
REVISIONS			
REV	DESCRIPTION	DATE	APPROVED
D	REVISED INSTALLATION DETAILS	01/04/2023	R.L.



VERTICAL CROSS SECTION
METAL STRUCTURE THROUGH FRAME INSTALLATION



JAMB INSTALLATION DETAIL
METAL STRUCTURE INSTALLATION

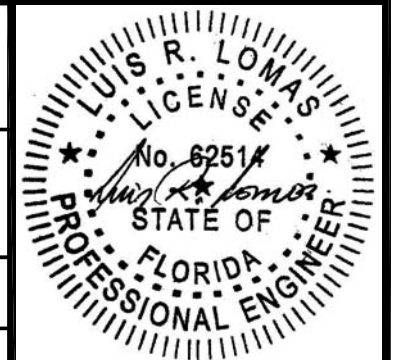


VERTICAL CROSS SECTION
METAL STRUCTURE CLIP INSTALLATION

NOTES:
 1. INTERIOR AND EXTERIOR FINISHES, BY OTHERS, NOT SHOWN FOR CLARITY.
 2. PERIMETER AND JOINT SEALANT BY OTHERS TO BE DESIGNED IN ACCORDANCE WITH ASTM E2112

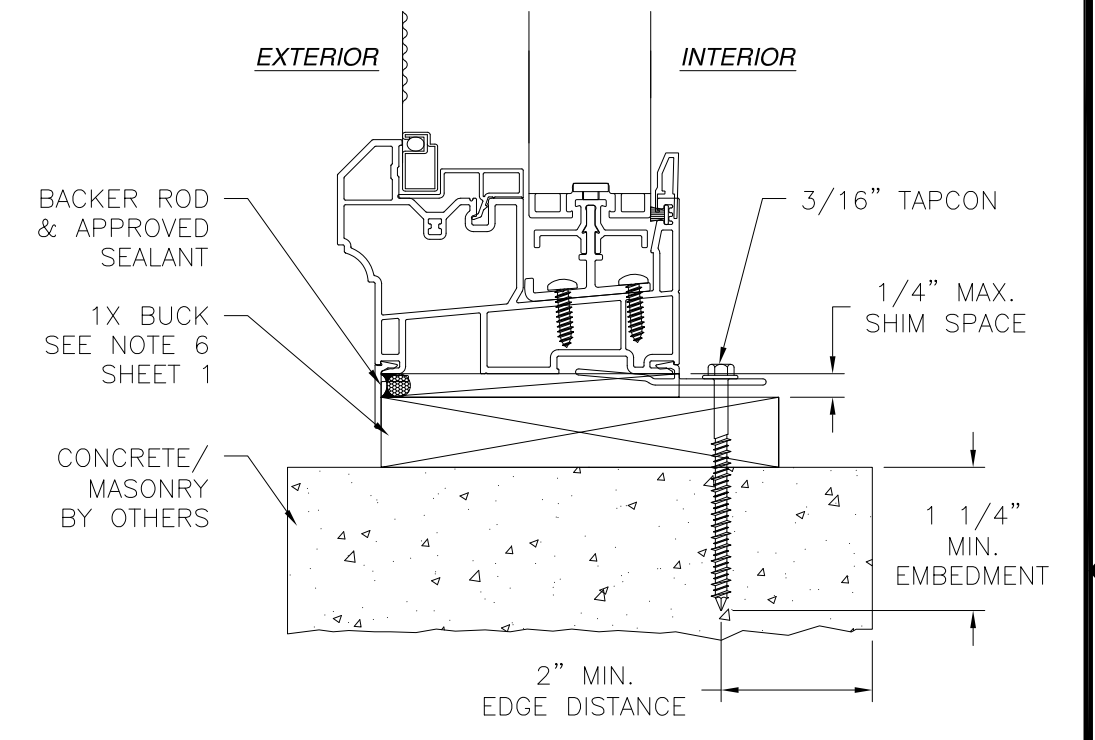
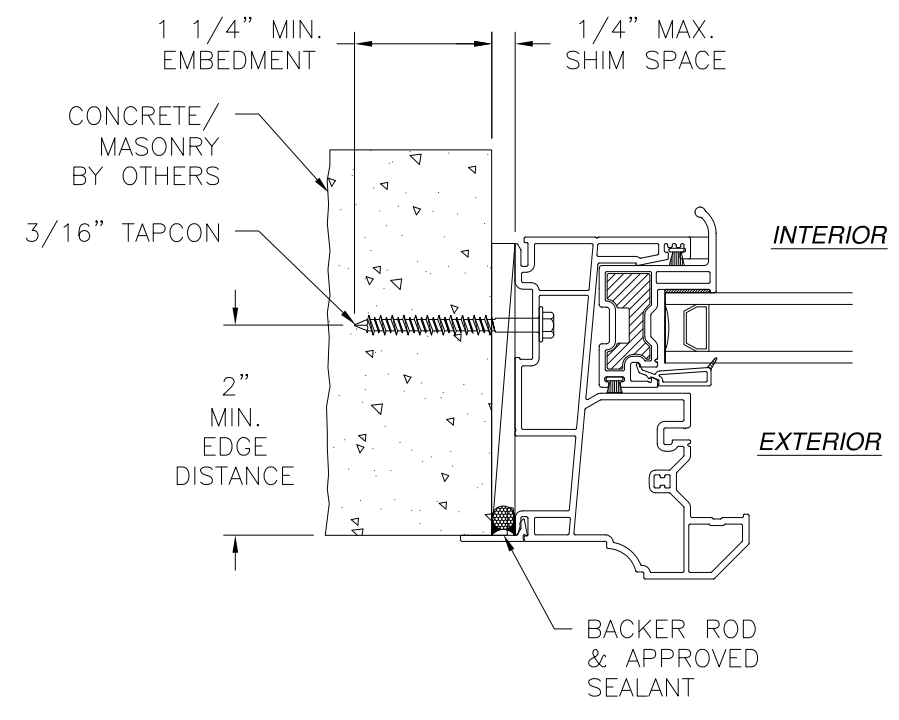
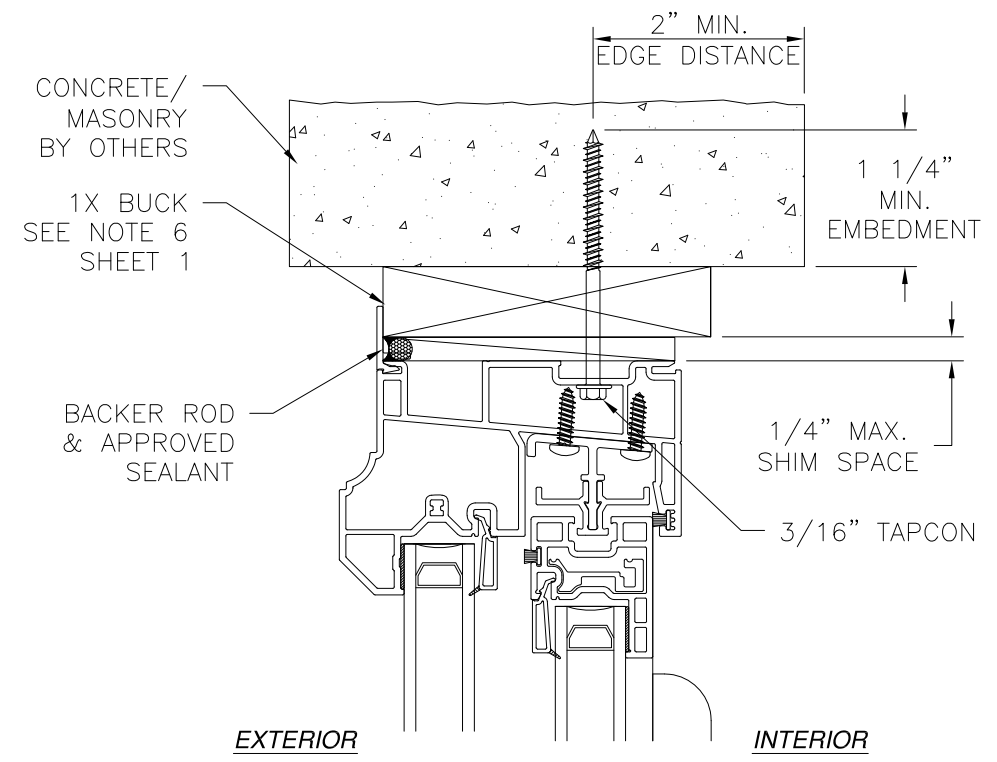
SIGNED: 01/16/2023

		EASTERN ARCHITECTURAL SYSTEMS A DIVISION OF EASTERN METAL SUPPLY 16341 DOMESTIC AVE FORT MYERS, FL 33912 800-432-2204	
143.095 SS HORIZONTAL SLIDING WINDOW 74" X 72" NON-IMPACT FLANGE INSTALLATION DETAILS			
DRAWN: N.G.	DWG NO. 08-02526	REV B	
SCALE NTS	DATE 11/03/14	SHEET 4 OF 9	
L. ROBERTO LOMAS P.E. 400 S. PALM AVE, INDIALANTIC, FL 32903 434-688-0609 rllomas@rlomaspe.com			



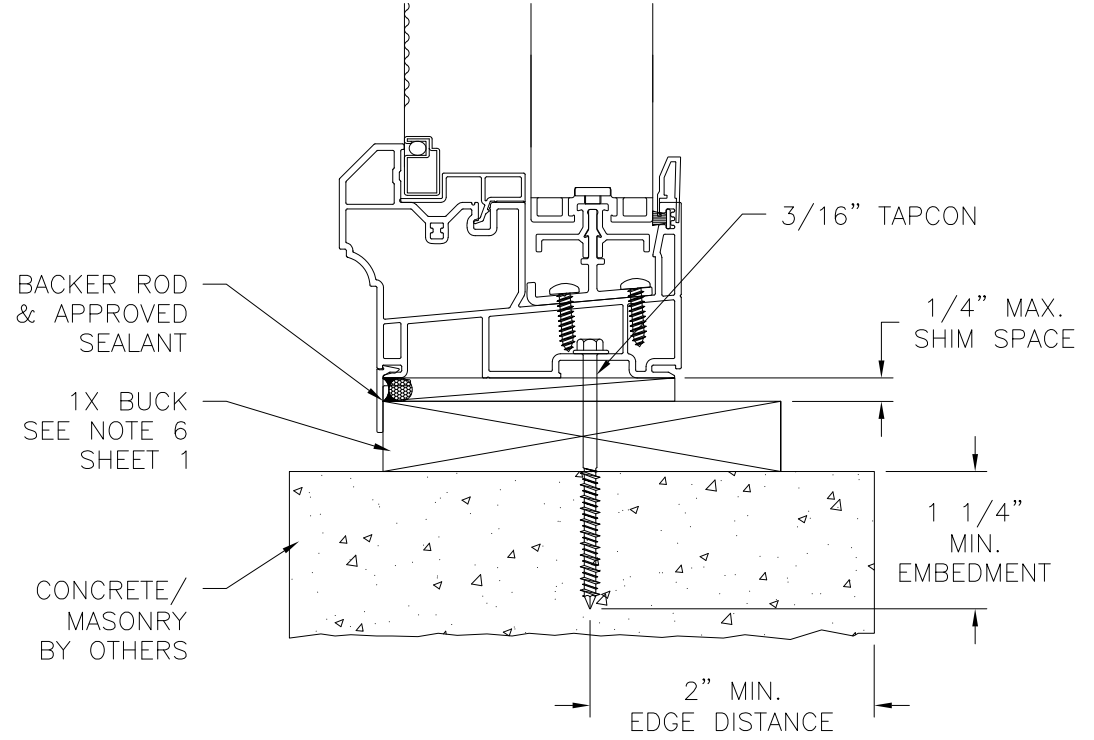
Luis R. Lomas P.E.
FL No.: 62514

REVISIONS			
REV	DESCRIPTION	DATE	APPROVED
D	REVISED INSTALLATION DETAILS	01/04/2023	R.L.



JAMB INSTALLATION DETAIL
 CONCRETE/MASONRY INSTALLATION
 FOR 1X BUCK INSTALLATION REFER TO HEAD AND
 SILL INSTALLATION DETAILS

VERTICAL CROSS SECTION
 CONCRETE/MASONRY 1X BUCK CLIP INSTALLATION
 FOR INSTALLATION WITHOUT 1X BUCK REFER TO JAMB INSTALLATION DETAIL



VERTICAL CROSS SECTION
 CONCRETE/MASONRY 1X BUCK INSTALLATION
 FOR INSTALLATION WITHOUT 1X BUCK REFER TO JAMB INSTALLATION DETAIL

NOTES:
 1. INTERIOR AND EXTERIOR FINISHES, BY OTHERS, NOT SHOWN FOR CLARITY.
 2. PERIMETER AND JOINT SEALANT BY OTHERS TO BE DESIGNED IN ACCORDANCE WITH ASTM E2112

SIGNED: 01/16/2023

Eastern
 ARCHITECTURAL SYSTEMS
 ALUMINUM AND VINYL
 IMPACT WINDOWS AND DOORS

EASTERN ARCHITECTURAL SYSTEMS
 A DIVISION OF
 EASTERN METAL SUPPLY
 16341 DOMESTIC AVE
 FORT MYERS, FL 33912
 800-432-2204

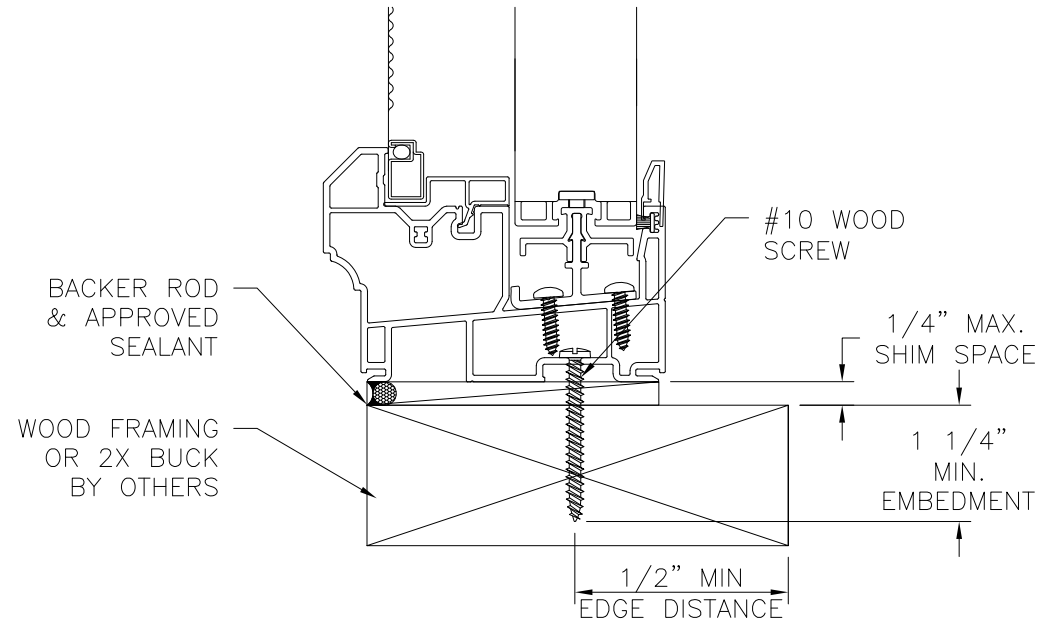
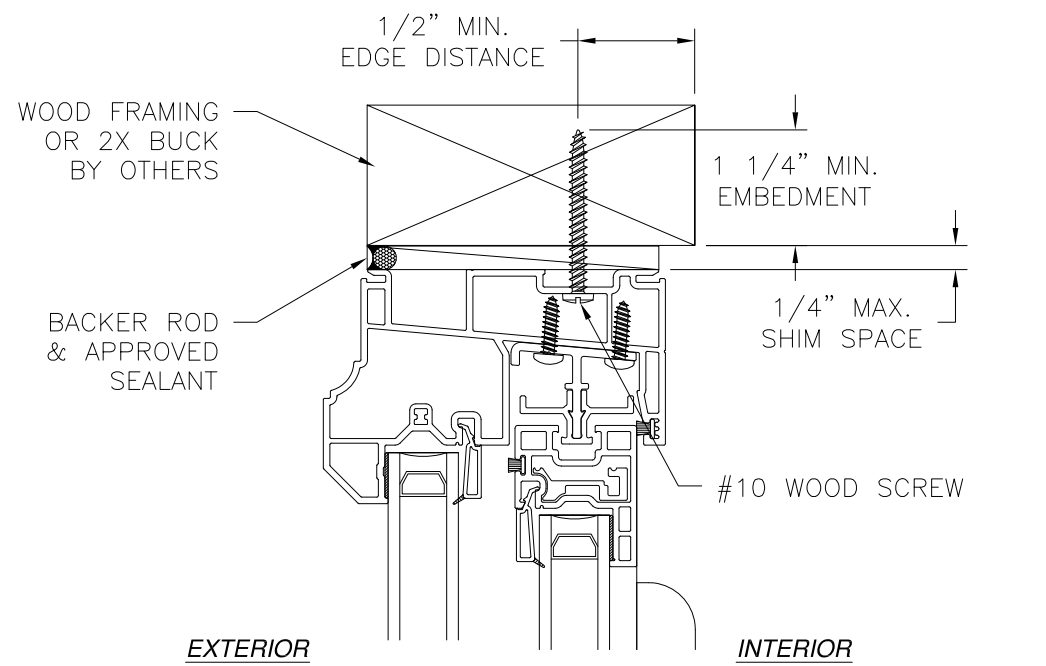
**143.095 SS HORIZONTAL SLIDING WINDOW
 74" X 72" NON-IMPACT
 FLANGE INSTALLATION DETAILS**

DRAWN: N.G.	DWG NO. 08-02526	REV B
SCALE NTS	DATE 11/03/14	SHEET 5 OF 9

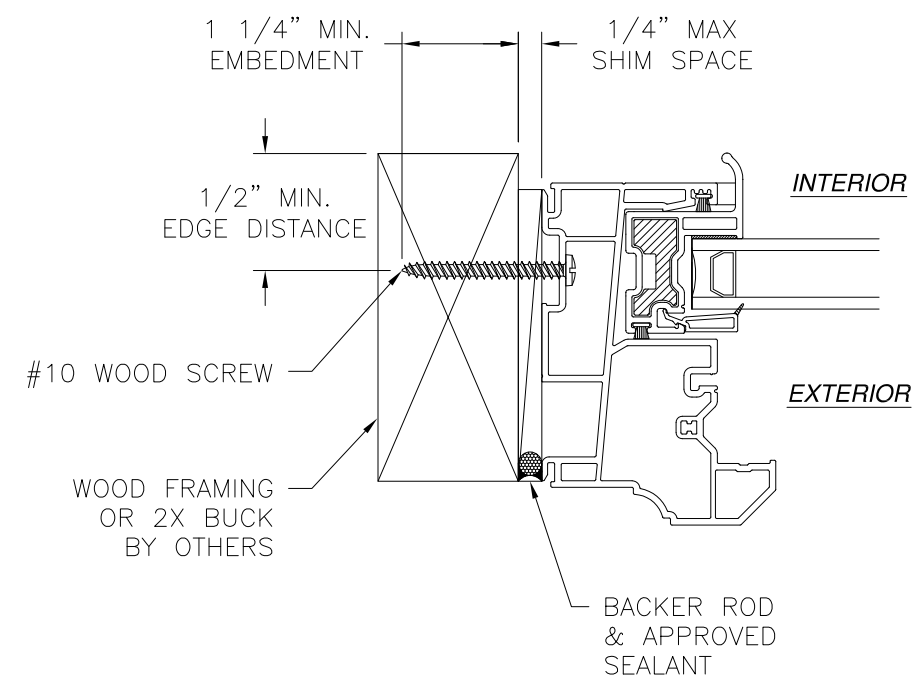
L. ROBERTO LOMAS P.E.
 400 S. PALM AVE, INDIALANTIC, FL 32903
 434-688-0609 rllomas@rlomaspe.com

Luis R. Lomas P.E.
 FL No.: 62514

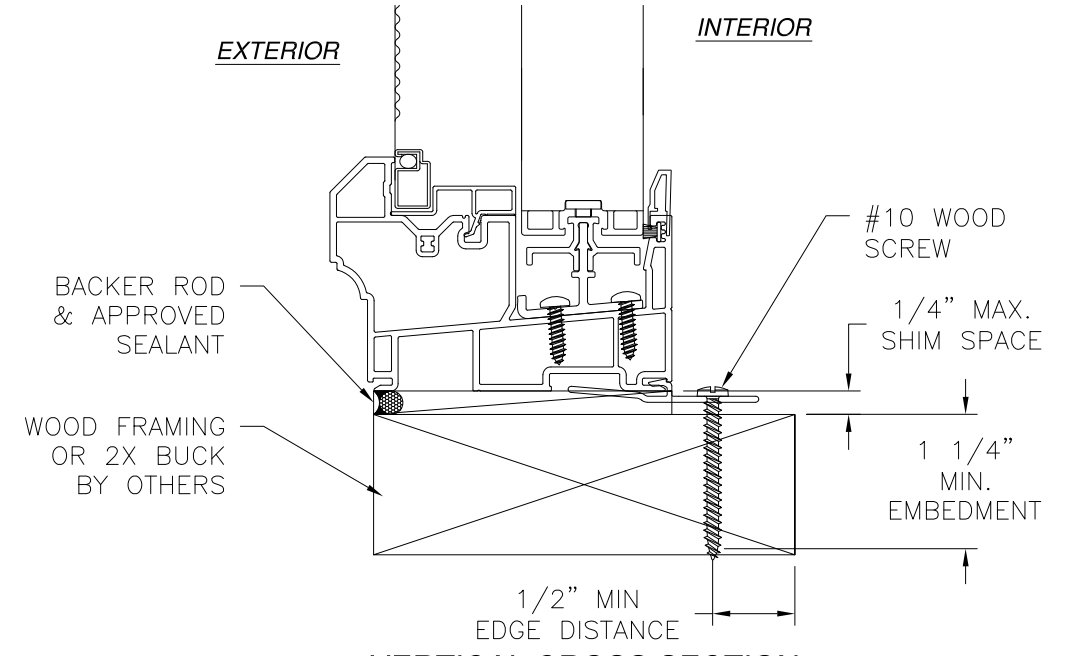
REVISIONS			
REV	DESCRIPTION	DATE	APPROVED
D	REVISED INSTALLATION DETAILS	01/04/2023	R.L.



VERTICAL CROSS SECTION
WOOD FRAMING OR 2X BUCK THROUGH FRAME
INSTALLATION




JAMB INSTALLATION DETAIL
WOOD FRAMING OR 2X BUCK INSTALLATION

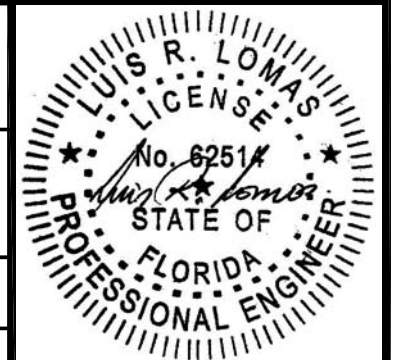


VERTICAL CROSS SECTION
WOOD FRAMING OR 2X BUCK CLIP
INSTALLATION

NOTES:
1. INTERIOR AND EXTERIOR FINISHES, BY OTHERS,
NOT SHOWN FOR CLARITY.
2. PERIMETER AND JOINT SEALANT BY OTHERS TO BE
DESIGNED IN ACCORDANCE WITH ASTM E2112

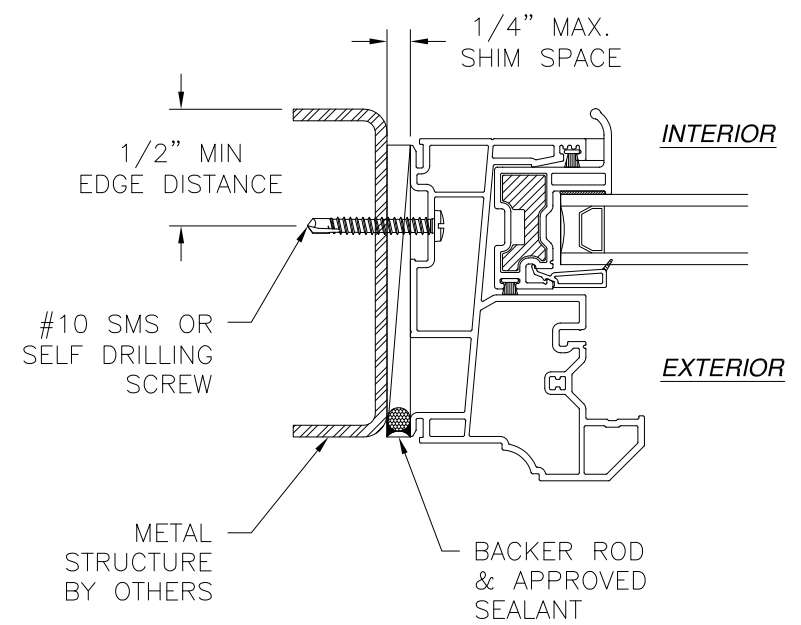
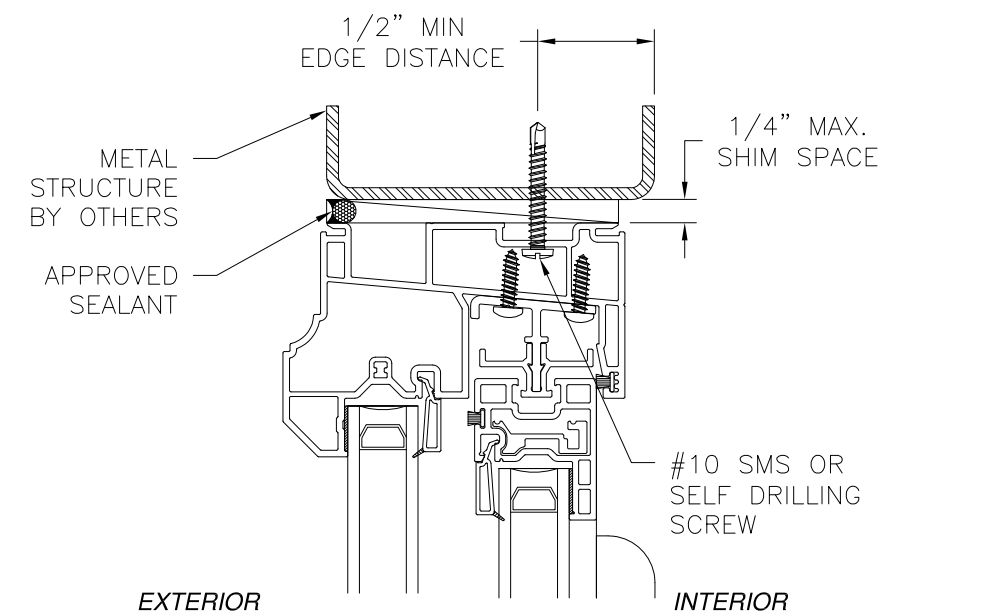
		EASTERN ARCHITECTURAL SYSTEMS A DIVISION OF EASTERN METAL SUPPLY 16341 DOMESTIC AVE FORT MYERS, FL 33912 800-432-2204	
143.095 SS HORIZONTAL SLIDING WINDOW 74" X 72" NON-IMPACT BOX FRAME INSTALLATION DETAILS			
DRAWN: N.G.	DWG NO. 08-02526	REV B	
SCALE NTS	DATE 11/03/14	SHEET 6 OF 9	
L. ROBERTO LOMAS P.E. 400 S. PALM AVE, INDIALANTIC, FL 32903 434-688-0609 rllomas@rlomaspe.com			

SIGNED: 01/16/2023

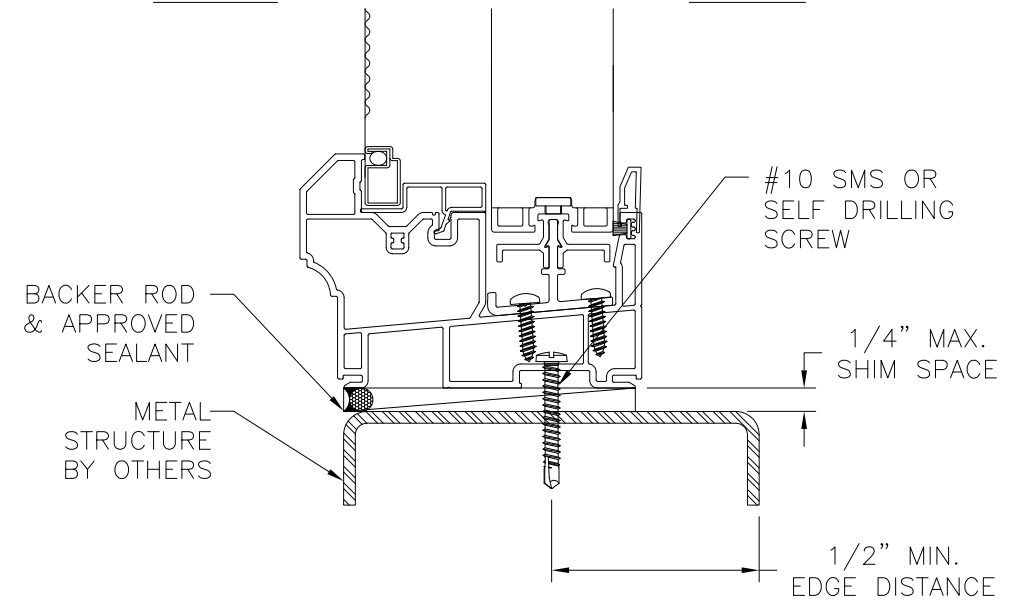


Luis R. Lomas P.E.
FL No.: 62514

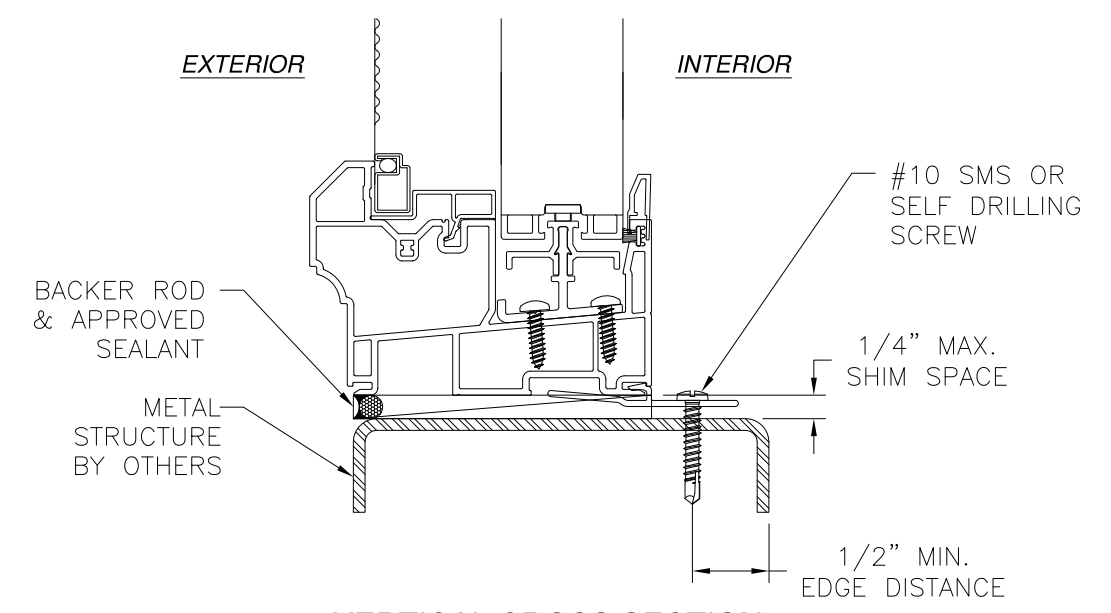
REVISIONS			
REV	DESCRIPTION	DATE	APPROVED
D	REVISED INSTALLATION DETAILS	01/04/2023	R.L.



JAMB INSTALLATION DETAIL
METAL STRUCTURE INSTALLATION




VERTICAL CROSS SECTION
METAL STRUCTURE INSTALLATION

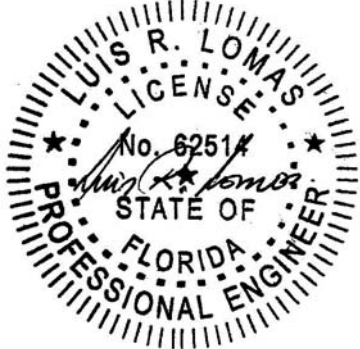


VERTICAL CROSS SECTION
METAL STRUCTURE CLIP INSTALLATION

NOTES:
 1. INTERIOR AND EXTERIOR FINISHES, BY OTHERS, NOT SHOWN FOR CLARITY.
 2. PERIMETER AND JOINT SEALANT BY OTHERS TO BE DESIGNED IN ACCORDANCE WITH ASTM E2112

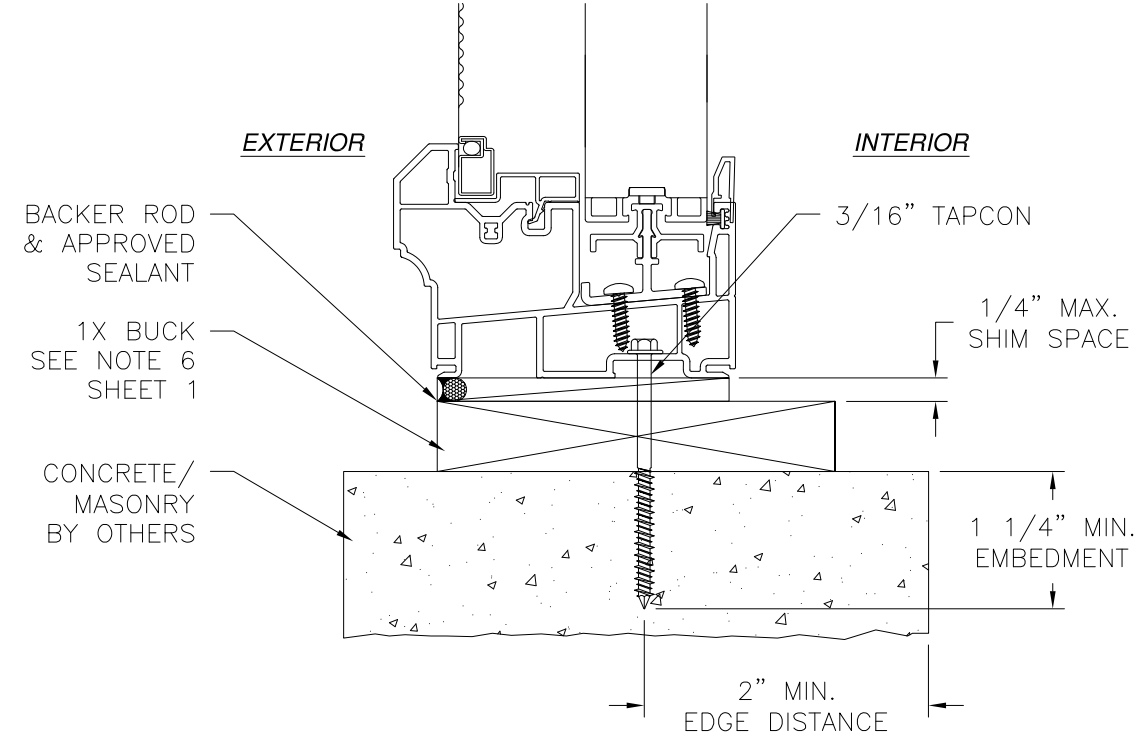
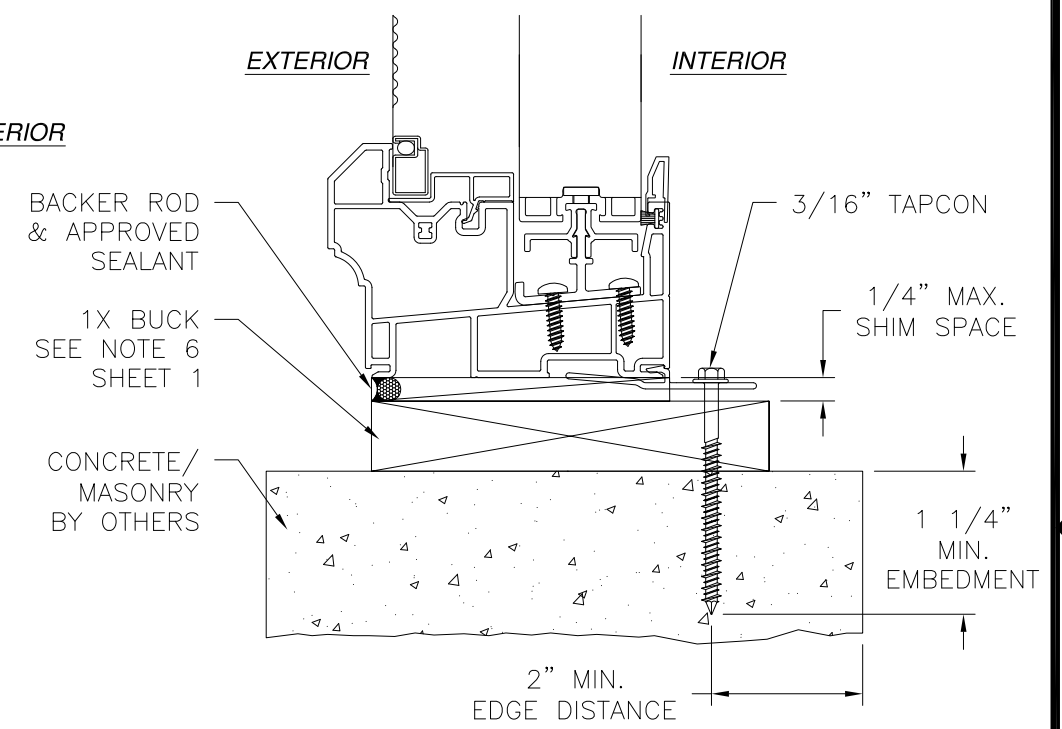
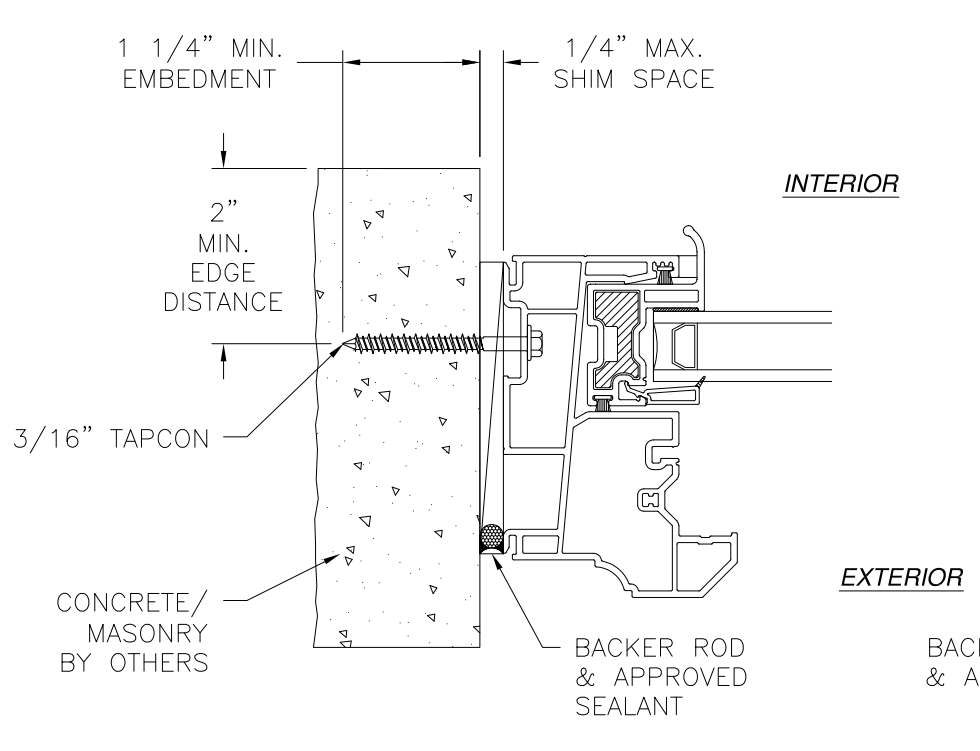
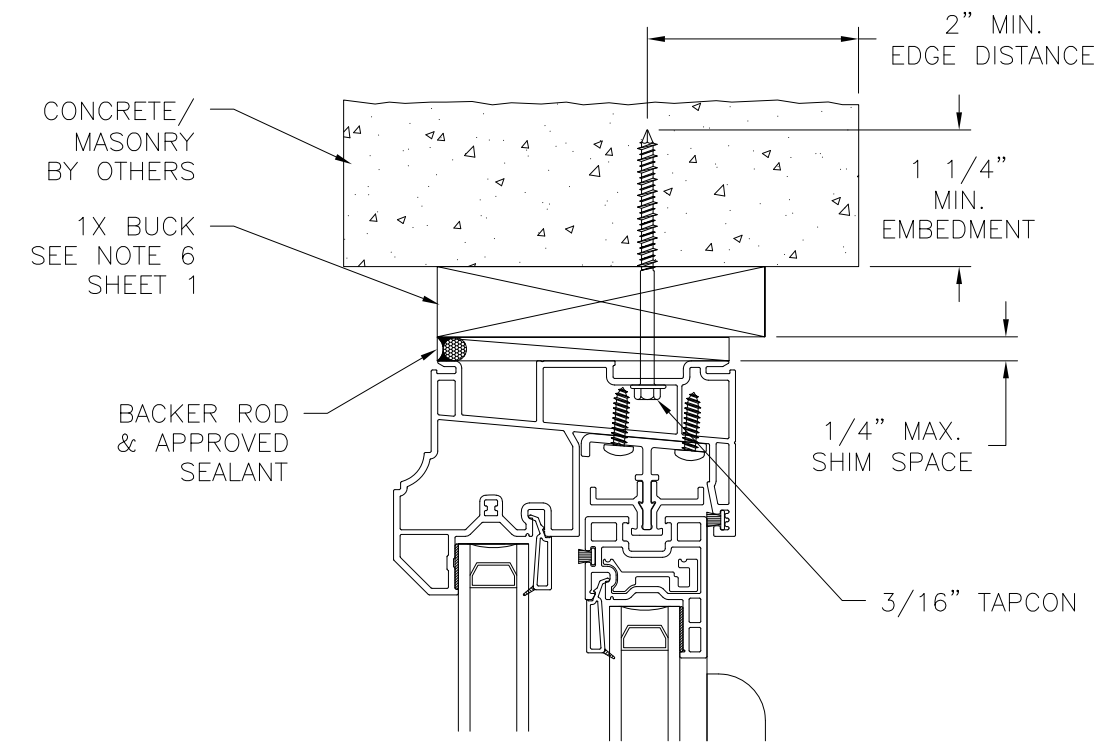
SIGNED: 01/16/2023

		EASTERN ARCHITECTURAL SYSTEMS A DIVISION OF EASTERN METAL SUPPLY 16341 DOMESTIC AVE FORT MYERS, FL 33912 800-432-2204	
143.095 SS HORIZONTAL SLIDING WINDOW 74" X 72" NON-IMPACT BOX FRAME INSTALLATION DETAILS			
DRAWN: N.G.	DWG NO. 08-02526	REV B	
SCALE NTS	DATE 11/03/14	SHEET 7 OF 9	
L. ROBERTO LOMAS P.E. 400 S. PALM AVE, INDIALANTIC, FL 32903 434-688-0609 rllomas@rlomaspe.com			



Luis R. Lomas P.E.
FL No.: 62514

REVISIONS			
REV	DESCRIPTION	DATE	APPROVED
D	REVISED INSTALLATION DETAILS	01/04/2023	R.L.



JAMB INSTALLATION DETAIL
CONCRETE/MASONRY INSTALLATION
 FOR 1X BUCK INSTALLATION REFER TO HEAD AND SILL INSTALLATION DETAILS

VERTICAL CROSS SECTION
CONCRETE/MASONRY 1X BUCK CLIP INSTALLATION
 FOR INSTALLATION WITHOUT 1X BUCK REFER TO JAMB INSTALLATION DETAIL

VERTICAL CROSS SECTION
CONCRETE/MASONRY 1X BUCK INSTALLATION
 FOR INSTALLATION WITHOUT 1X BUCK REFER TO JAMB INSTALLATION DETAIL

- NOTES:**
1. INTERIOR AND EXTERIOR FINISHES, BY OTHERS, NOT SHOWN FOR CLARITY.
 2. PERIMETER AND JOINT SEALANT BY OTHERS TO BE DESIGNED IN ACCORDANCE WITH ASTM E2112

Eastern
 ARCHITECTURAL SYSTEMS
 ALUMINUM AND VINYL
 IMPACT WINDOWS AND DOORS

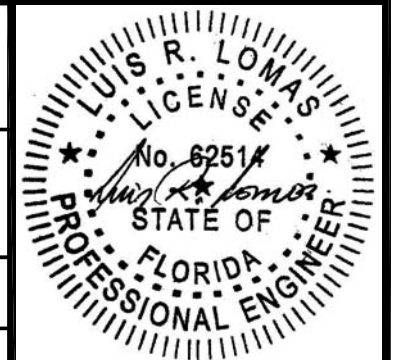
EASTERN ARCHITECTURAL SYSTEMS
 A DIVISION OF
 EASTERN METAL SUPPLY
 16341 DOMESTIC AVE
 FORT MYERS, FL 33912
 800-432-2204

143.095 SS HORIZONTAL SLIDING WINDOW
 74" X 72" NON-IMPACT
 BOX FRAME INSTALLATION DETAILS

DRAWN: N.G.	DWG NO. 08-02526	REV B
SCALE NTS	DATE 11/03/14	SHEET 8 OF 9

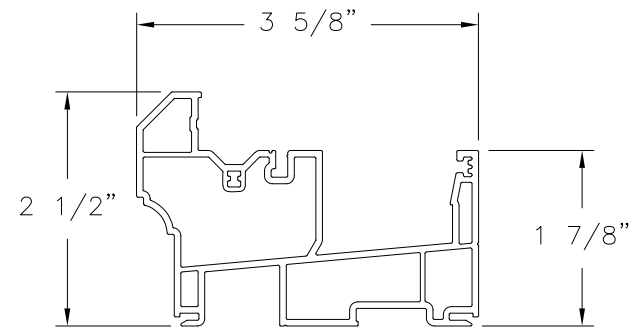
L. ROBERTO LOMAS P.E.
 400 S. PALM AVE, INDIALANTIC, FL 32903
 434-688-0609 rllomas@rlomaspe.com

SIGNED: 01/16/2023

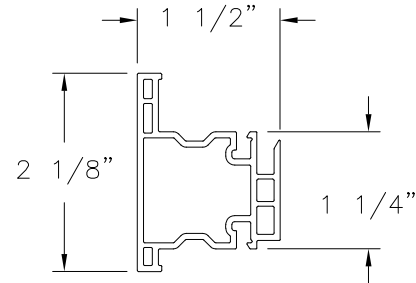


Luis R. Lomas P.E.
 FL No.: 62514

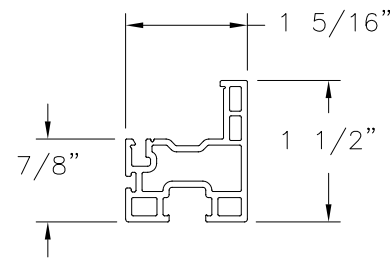
REVISIONS			
REV	DESCRIPTION	DATE	APPROVED
D	REVISED INSTALLATION DETAILS	01/04/2023	R.L.



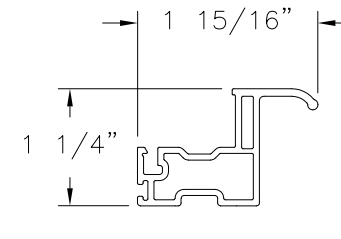
MAIN FRAME
PVC (10008669)



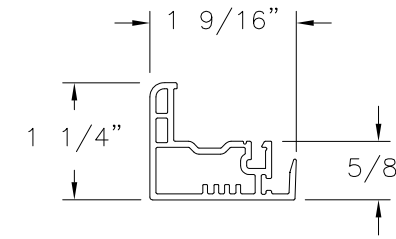
MEETING RAIL
PVC (10008511)



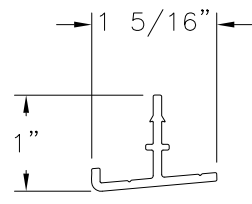
TOP/BOTTOM RAIL
PVC (10008857)



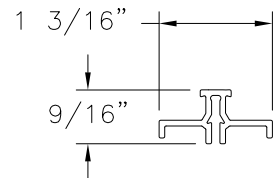
PULL STILE
PVC (10008882)



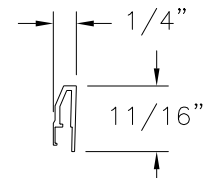
LOCK STILE
PVC (10008845)



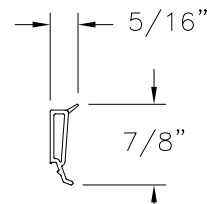
SLIDER TRACK
ALUMINUM 6005-T5 (10300189)



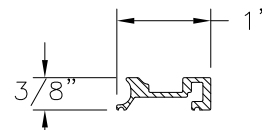
SLIDER TRACK INSERT
ALUMINUM 6005-T5 (10008469)



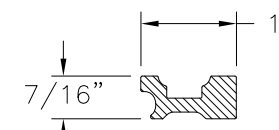
SILL EXTENDER
PVC (20008052)



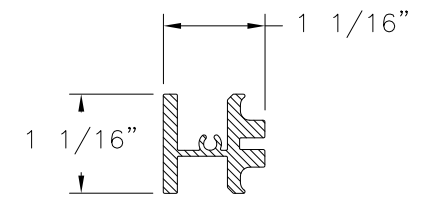
GLAZING BEAD
PVC (10005470)



LOCK STILE REINFORCEMENT
ALUMINUM 6005-T5(10300082)




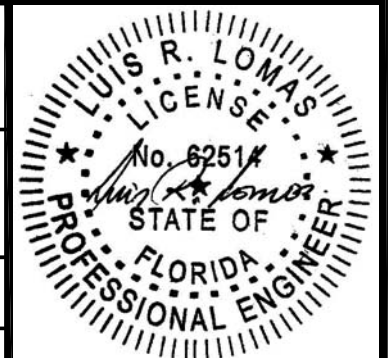
PULL STILE REINFORCEMENT
ALUMINUM 6005-T5 (10300207)



MEETING RAIL REINFORCEMENT
ALUMINUM 6005-T5, 6061-T5 OR 6105-T5(10300084)

SIGNED: 01/16/2023

		EASTERN ARCHITECTURAL SYSTEMS A DIVISION OF EASTERN METAL SUPPLY 16341 DOMESTIC AVE FORT MYERS, FL 33912 800-432-2204	
143.095 SS HORIZONTAL SLIDING WINDOW 74" X 72" NON-IMPACT COMPONENTS			
DRAWN: N.G.	DWG NO. 08-02526	REV B	
SCALE NTS	DATE 11/03/14	SHEET 9 OF 9	
L. ROBERTO LOMAS P.E. 400 S. PALM AVE, INDIALANTIC, FL 32903 434-688-0609 rllomas@rlomaspe.com			



Luis R. Lomas P.E.
FL No.: 62514