

REVISIONS			
REV	DESCRIPTION	DATE	APPROVED
A	ADDED EDGE DIMENSIONS	03/25/15	R.L.
B	REVISED PER NEW REQUIREMENTS	03/26/18	R.L.

NOTES:

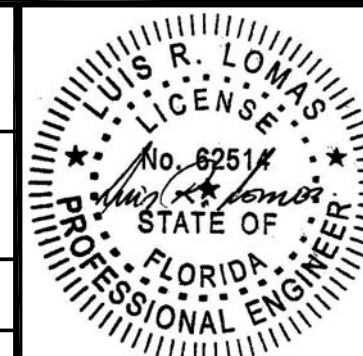
1. THE PRODUCT SHOWN HEREIN IS DESIGNED AND MANUFACTURED TO COMPLY WITH REQUIREMENTS OF THE FLORIDA BUILDING CODE.
2. WOOD FRAMING AND MASONRY OPENING TO BE DESIGNED AND ANCHORED TO PROPERLY TRANSFER ALL LOADS TO STRUCTURE. FRAMING AND MASONRY OPENING IS THE RESPONSIBILITY OF THE ARCHITECT OR ENGINEER OF RECORD.
3. 1X BUCK OVER MASONRY/CONCRETE IS OPTIONAL.
4. WHERE SHIM OR BUCK THICKNESS IS LESS THAN 1-1/2" WINDOW UNITS MUST BE ANCHORED THROUGH THE FRAME IN ACCORDANCE WITH MANUFACTURER'S PUBLISHED INSTALLATION INSTRUCTIONS. ANCHORS SHALL BE SECURELY FASTENED DIRECTLY INTO MASONRY, CONCRETE OR OTHER STRUCTURAL SUBSTRATE MATERIAL.
5. WHERE WOOD BUCK THICKNESS IS 1-1/2" OR GREATER, BUCK SHALL BE SECURELY FASTENED TO MASONRY, CONCRETE OR OTHER STRUCTURAL SUBSTRATE. WINDOW UNITS MAY BE ANCHORED THROUGH FRAME TO SECURED WOOD BUCK IN ACCORDANCE WITH MANUFACTURER'S PUBLISHED INSTALLATION INSTRUCTIONS.
6. WHERE 1X BUCK IS NOT USED DISSIMILAR MATERIALS MUST BE SEPARATED WITH APPROVED COATING OR MEMBRANE. SELECTION OF COATING OR MEMBRANE IS THE RESPONSIBILITY OF THE ARCHITECT OR ENGINEER OF RECORD.
7. BUCKS SHALL EXTEND BEYOND WINDOW INTERIOR FACE SO THAT FULL FRAME SUPPORT IS PROVIDED.
8. FOR FIN INSTALLATION SHIM AS NEEDED. FOR FRAME INSTALLATION SHIM AS REQUIRED AT EACH ANCHOR LOCATION WITH LOAD BEARING SHIM. SHIM WHERE SPACE OF 1/16" OR GREATER OCCURS. MAXIMUM ALLOWABLE SHIM STACK TO BE 1/4".
9. SHIMS SHALL BE LOCATED, APPLIED AND MADE FROM MATERIALS AND THICKNESS CAPABLE OF SUSTAINING APPLICABLE LOADS.
10. WIND LOAD DURATION FACTOR Cd=1.6 WAS USED FOR WOOD ANCHOR CALCULATIONS.
11. FRAME MATERIAL: ALUMINUM 6063-T6.
12. UNITS MUST BE GLAZED PER ASTM E1300-04/09.
13. APPROVED IMPACT PROTECTIVE SYSTEM IS REQUIRED FOR THIS PRODUCT IN WIND BORNE DEBRIS REGIONS.
14. FOR ANCHORING INTO WOOD FRAMING OR 2X BUCK USE #8 WOOD SCREWS WITH SUFFICIENT LENGTH TO ACHIEVE A 1 1/4" MINIMUM EMBEDMENT INTO SUBSTRATE. LOCATE ANCHORS AS SHOWN IN ELEVATIONS AND INSTALLATION DETAILS.

15. FOR ANCHORING INTO MASONRY/CONCRETE USE 3/16" TAPCONS WITH SUFFICIENT LENGTH TO ACHIEVE A 1 1/4" MINIMUM EMBEDMENT INTO SUBSTRATE WITH 2" MINIMUM EDGE DISTANCE. LOCATE ANCHORS AS SHOWN IN ELEVATIONS AND INSTALLATION DETAILS.
16. FOR ANCHORING INTO METAL STRUCTURE USE #8 SMS OR SELF DRILLING SCREWS WITH SUFFICIENT LENGTH TO ACHIEVE 3 THREADS MINIMUM BEYOND STRUCTURE INTERIOR WALL. LOCATE ANCHORS AS SHOWN IN ELEVATIONS AND INSTALLATION DETAILS.
17. ALL FASTENERS TO BE CORROSION RESISTANT.
18. INSTALLATION ANCHORS SHALL BE INSTALLED IN ACCORDANCE WITH ANCHOR MANUFACTURER'S INSTALLATION INSTRUCTIONS AND ANCHORS SHALL NOT BE USED IN SUBSTRATES WITH STRENGTHS LESS THAN THE MINIMUM STRENGTH SPECIFIED BELOW:
 - A. WOOD - MINIMUM SPECIFIC GRAVITY OF G=0.42
 - B. CONCRETE - MINIMUM COMPRESSIVE STRENGTH OF 3,192 PSI.
 - C. MASONRY - STRENGTH CONFORMANCE TO ASTM C-90, GRADE N, TYPE 1 (OR GREATER).
 - D. METAL STRUCTURE: STEEL 18GA, 33KSI OR ALUMINUM 6063-T5 .048" THICK MINIMUM

SIGNED: 03/26/2018

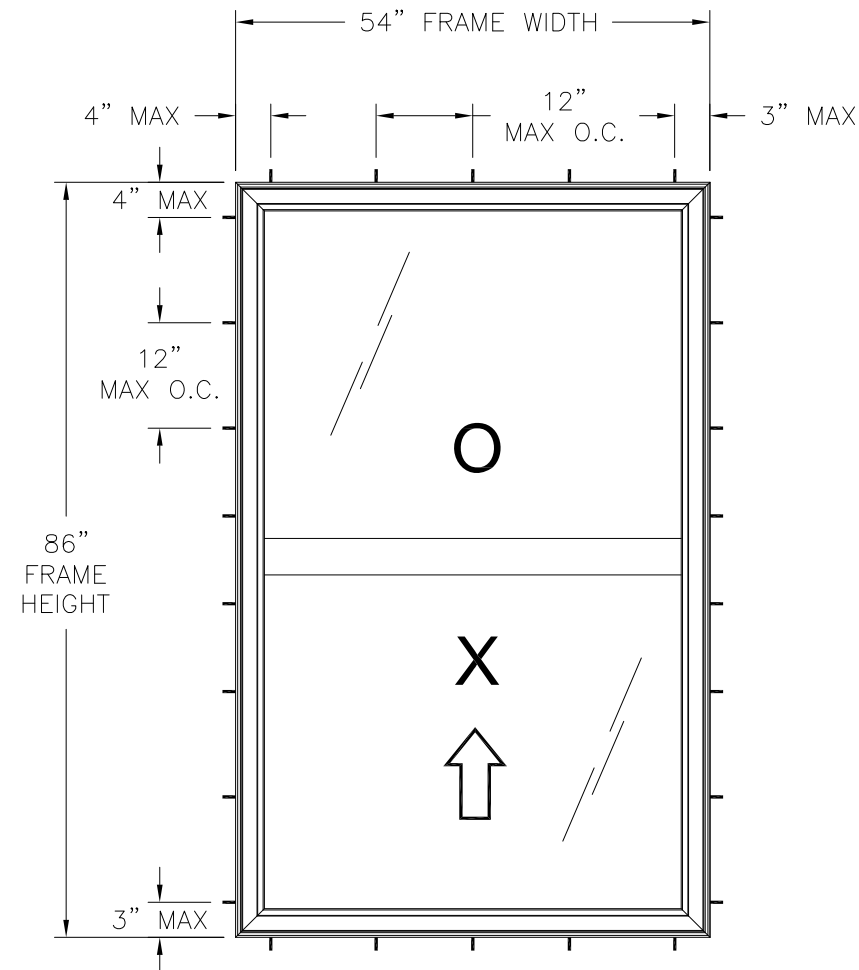
TABLE OF CONTENTS	
SHEET NO.	DESCRIPTION
1	NOTES
2	ELEVATION
3 - 5	INSTALLATION DETAILS

WOJAN WINDOW & DOOR CORPORATION 217 STOVER ROAD CHARLEVOIX, MI 49270		
M950 ALUMINUM SINGLE HUNG WINDOW 54" X 86" NON-IMPACT NOTES		
DRAWN: J.L.	DWG NO. 08-02381	REV B
SCALE NTS	DATE 06/17/14	SHEET 1 OF 5
L. ROBERTO LOMAS P.E. 1432 WOODFORD RD LEWISVILLE, NC 27023 434-688-0609 rllomas@rlomaspe.com		



Luis R. Lomas P.E.
FL No.: 62514

REVISIONS			
REV	DESCRIPTION	DATE	APPROVED
A	ADDED EDGE DIMENSIONS	03/25/15	R.L.
B	REVISED PER NEW REQUIREMENTS	03/26/18	R.L.



- NOTES:
 1. SASH SIZE: 51 1/2" X 44"
 2. D.L.O.: 49 1/2" X 38 1/2"

M950 ALUMINUM SINGLE HUNG WINDOW
 EXTERIOR VIEW

DESIGN PRESSURE RATING	IMPACT RATING
±80.0PSF	NONE

54" X 86" UNIT SHOWN. OTHER SIZES APPROVED AS LONG AS
 FRAME AREA DOES NOT EXCEED 32.25 FT²

HARDWARE SCHEDULE

A.	(1 ROW) 0.175" HIGH BY 0.213" WIDE VINYL SASH GLIDE AT INTERIOR SASH STILES
B.	(2) "CLASS 1" BLOCK AND TACKLE BALANCE AT UPPER FRAME JAMBS
C.	(2) SELF LOCKING CLIP WITH SPRING AT BOTTOM RAIL OF INTERIOR SASH

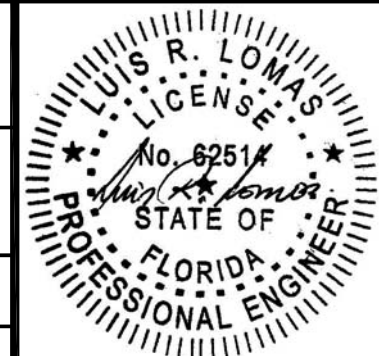
WOJAN WINDOW & DOOR CORPORATION
 217 STOVER ROAD
 CHARLEVOIX, MI 49270

M950 ALUMINUM SINGLE HUNG WINDOW
 54" X 86" NON-IMPACT
 ELEVATION

DRAWN: J.L.	DWG NO. 08-02381	REV B
SCALE NTS	DATE 06/17/14	SHEET 2 OF 5

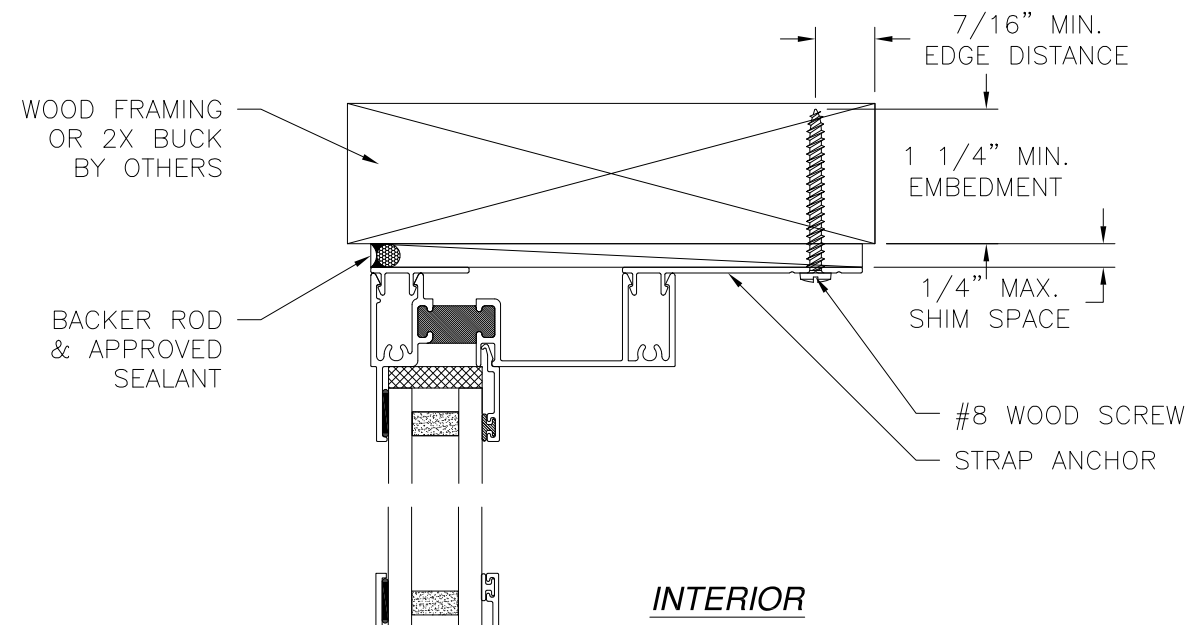
L. ROBERTO LOMAS P.E.
 1432 WOODFORD RD LEWISVILLE, NC 27023
 434-688-0609 rllomas@rlomaspe.com

SIGNED: 03/26/2018



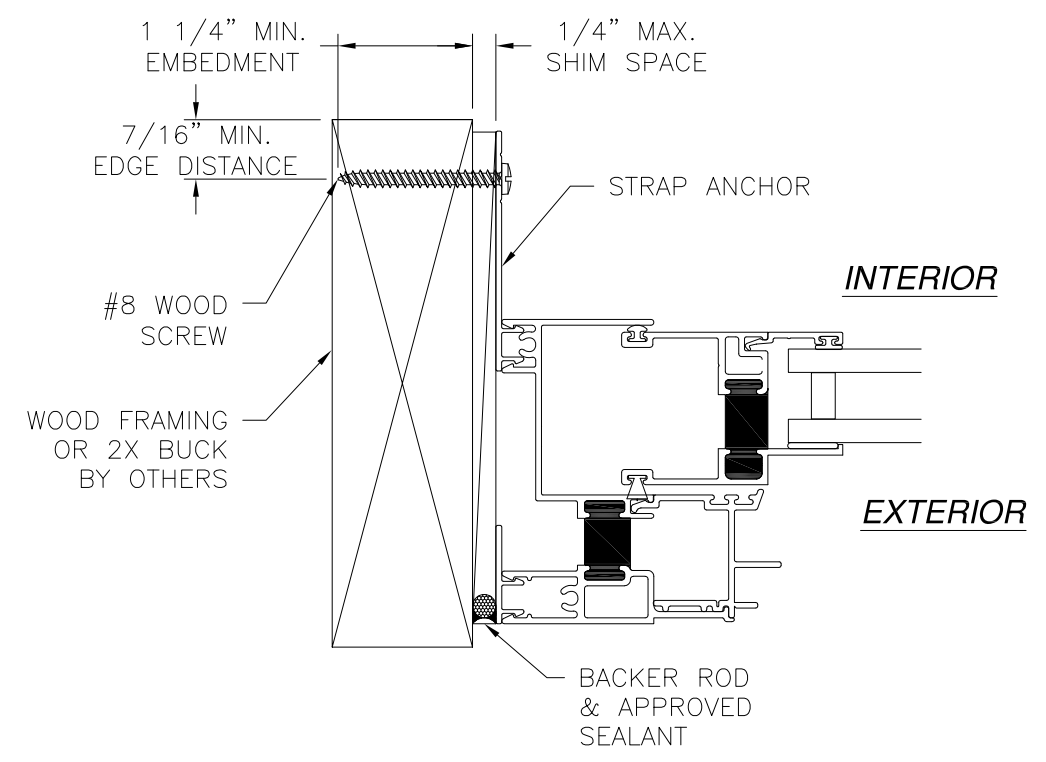
Luis R. Lomas P.E.
 FL No.: 62514

REVISIONS			
REV	DESCRIPTION	DATE	APPROVED
A	ADDED EDGE DIMENSIONS	03/25/15	R.L.
B	REVISED PER NEW REQUIREMENTS	03/26/18	R.L.



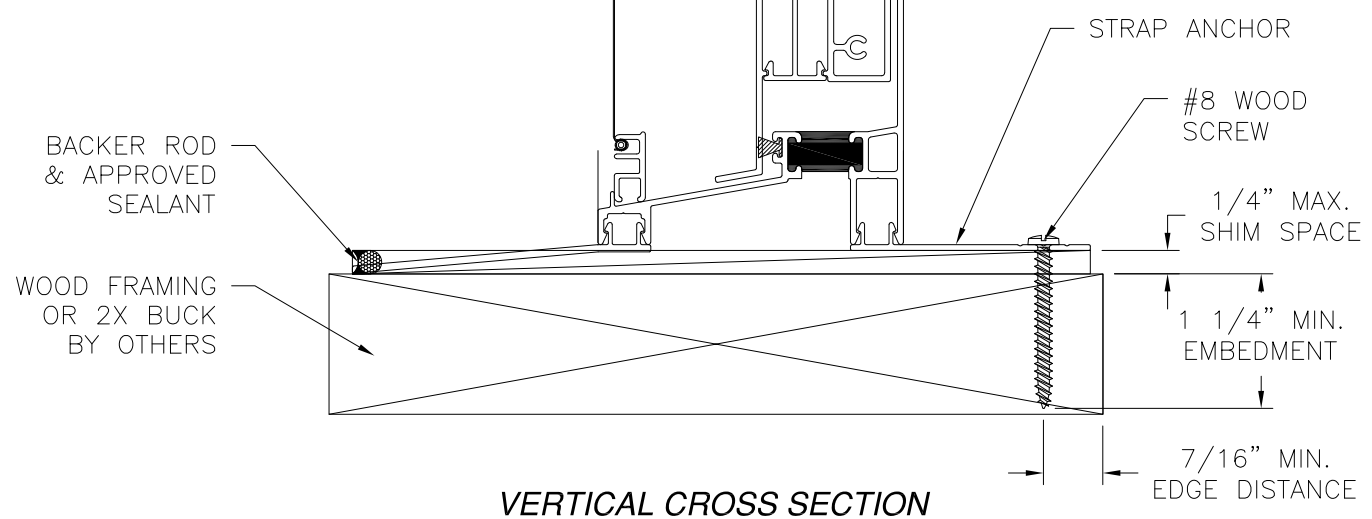
INTERIOR

EXTERIOR



JAMB INSTALLATION DETAIL
WOOD FRAMING OR 2X BUCK INSTALLATION

- NOTES:**
1. INTERIOR AND EXTERIOR FINISHES, BY OTHERS, NOT SHOWN FOR CLARITY.
 2. PERIMETER AND JOINT SEALANT BY OTHERS TO BE DESIGNED IN ACCORDANCE WITH ASTM E2112



VERTICAL CROSS SECTION
WOOD FRAMING OR 2X BUCK INSTALLATION

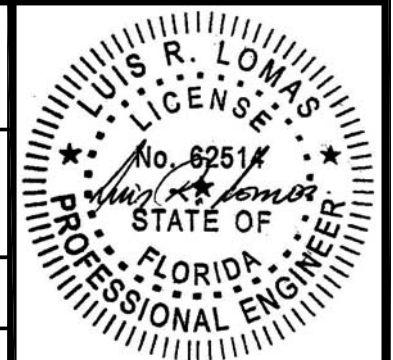
SIGNED: 03/26/2018

WOJAN WINDOW & DOOR CORPORATION
217 STOVER ROAD
CHARLEVOIX, MI 49270

M950 ALUMINUM SINGLE HUNG WINDOW
54" X 86" NON-IMPACT
CLIP INSTALLATION DETAILS

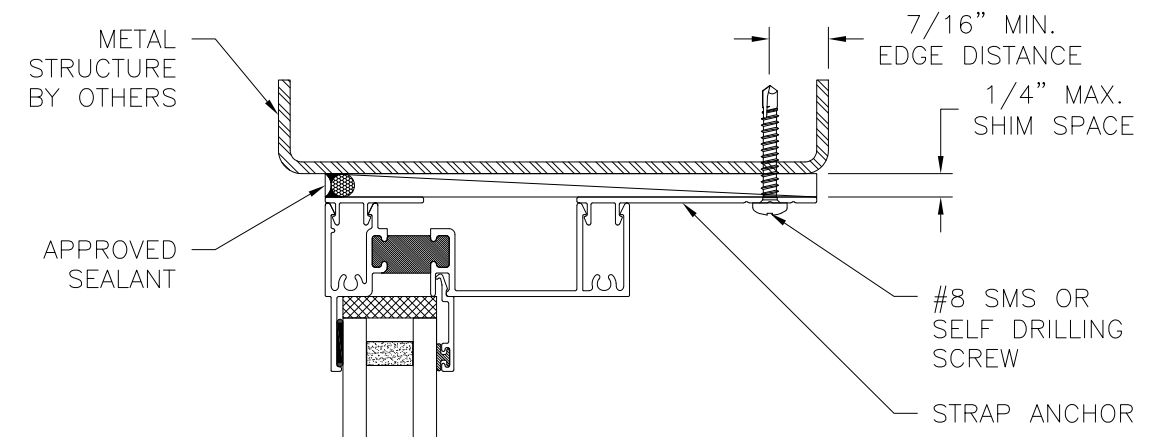
DRAWN: J.L.	DWG NO. 08-02381	REV B
SCALE NTS	DATE 06/17/14	SHEET 3 OF 5

L. ROBERTO LOMAS P.E.
1432 WOODFORD RD LEWISVILLE, NC 27023
434-688-0609 rllomas@rlomaspe.com



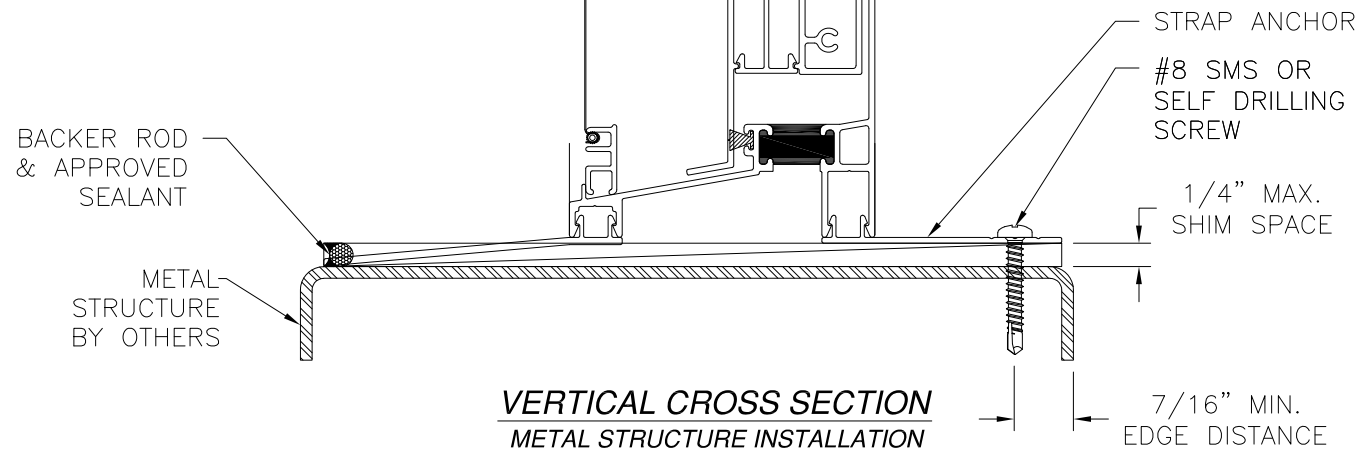
Luis R. Lomas P.E.
FL No.: 62514

REVISIONS			
REV	DESCRIPTION	DATE	APPROVED
A	ADDED EDGE DIMENSIONS	03/25/15	R.L.
B	REVISED PER NEW REQUIREMENTS	03/26/18	R.L.



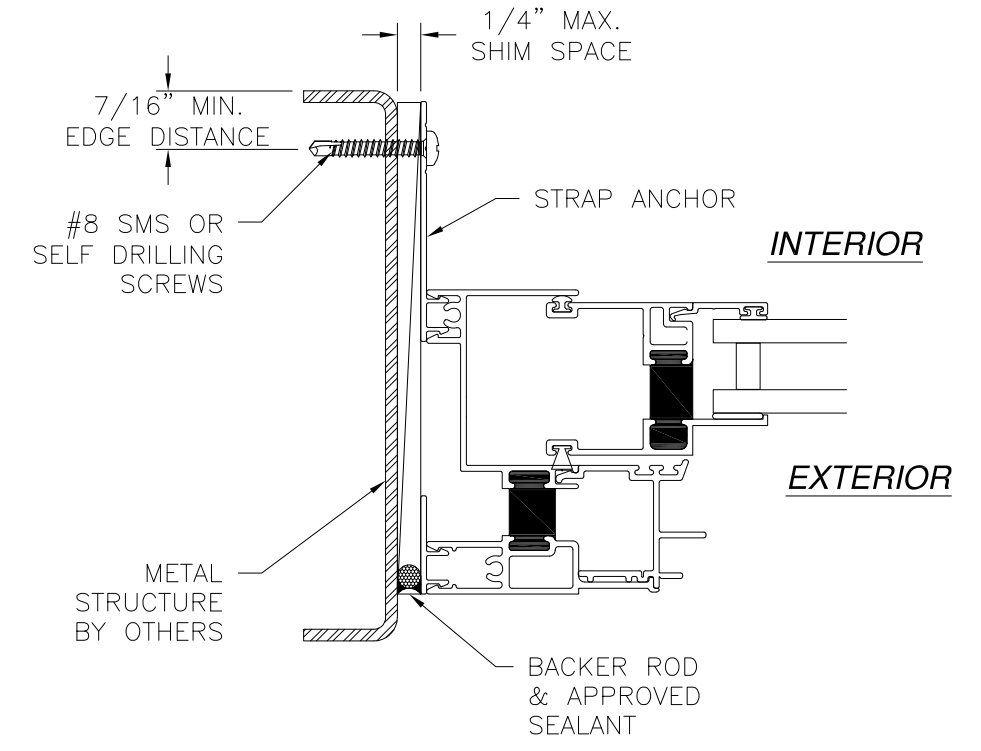
INTERIOR

EXTERIOR



VERTICAL CROSS SECTION
METAL STRUCTURE INSTALLATION

NOTES:
 1. INTERIOR AND EXTERIOR FINISHES, BY OTHERS, NOT SHOWN FOR CLARITY.
 2. PERIMETER AND JOINT SEALANT BY OTHERS TO BE DESIGNED IN ACCORDANCE WITH ASTM E2112



JAMB INSTALLATION DETAIL
METAL STRUCTURE INSTALLATION

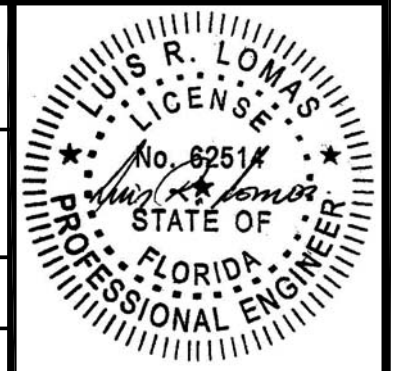
WOJAN WINDOW & DOOR CORPORATION
 217 STOVER ROAD
 CHARLEVOIX, MI 49270

M950 ALUMINUM SINGLE HUNG WINDOW
 54" X 86" NON-IMPACT
 CLIP INSTALLATION DETAILS

DRAWN: J.L.	DWG NO. 08-02381	REV B
SCALE NTS	DATE 06/17/14	SHEET 4 OF 5

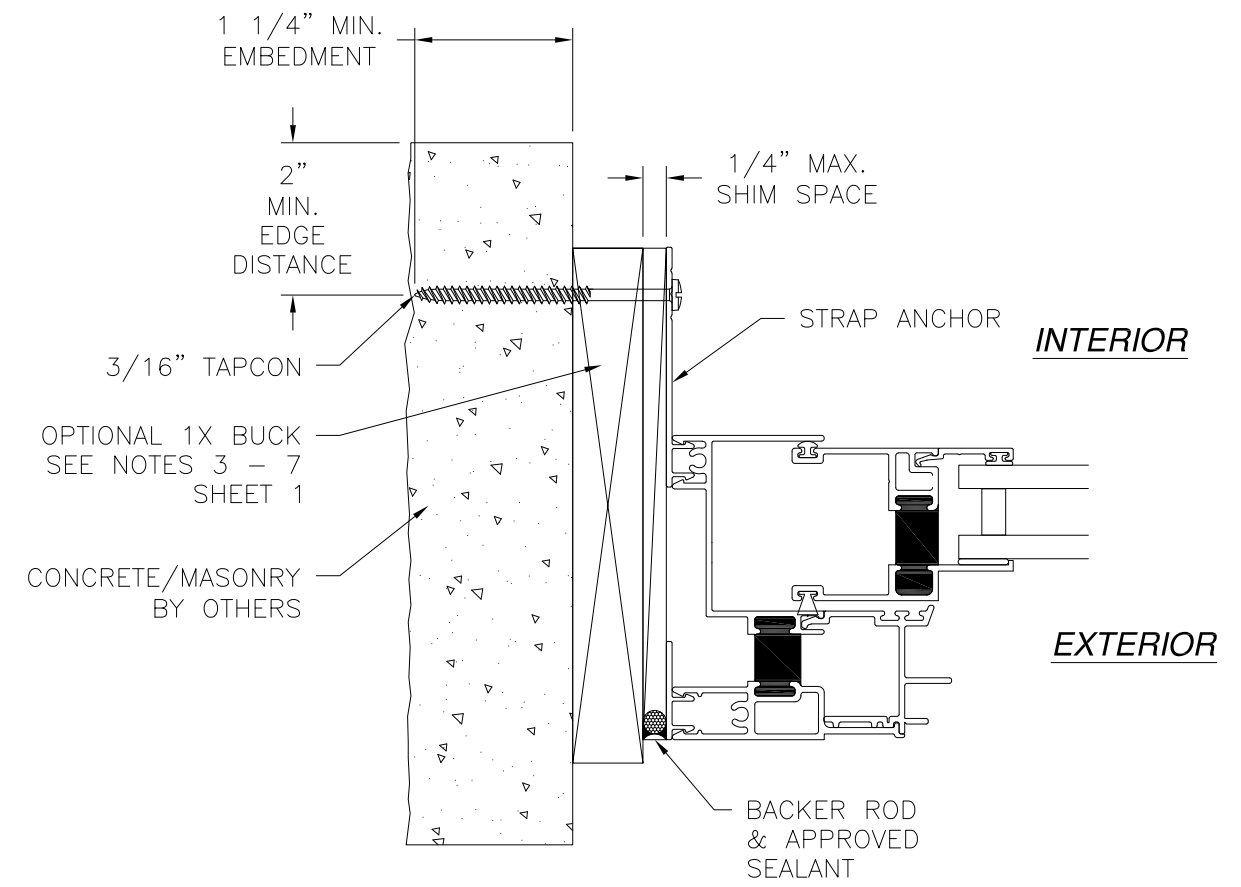
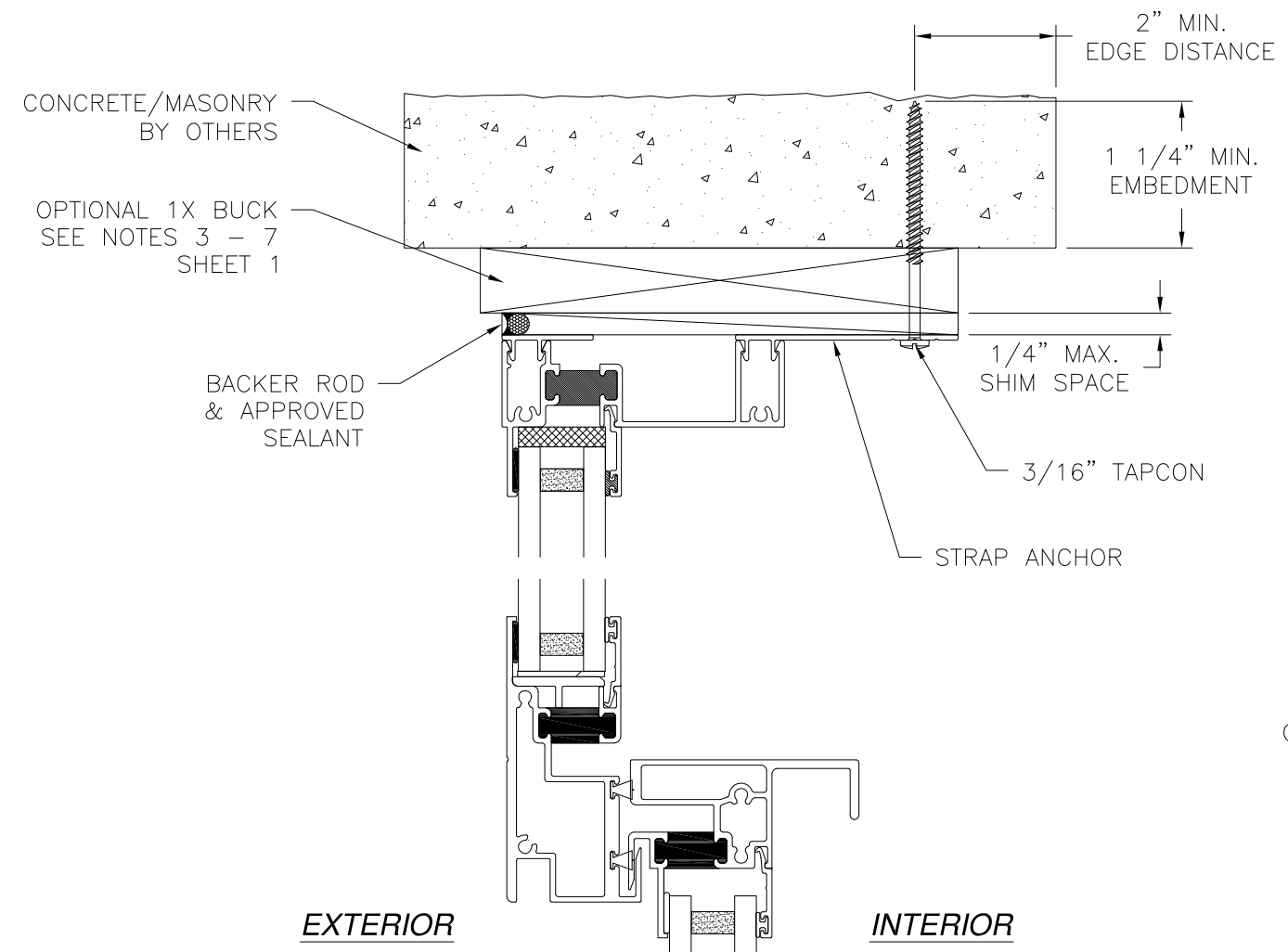
L. ROBERTO LOMAS P.E.
 1432 WOODFORD RD LEWISVILLE, NC 27023
 434-688-0609 rllomas@rlomaspe.com

SIGNED: 03/26/2018

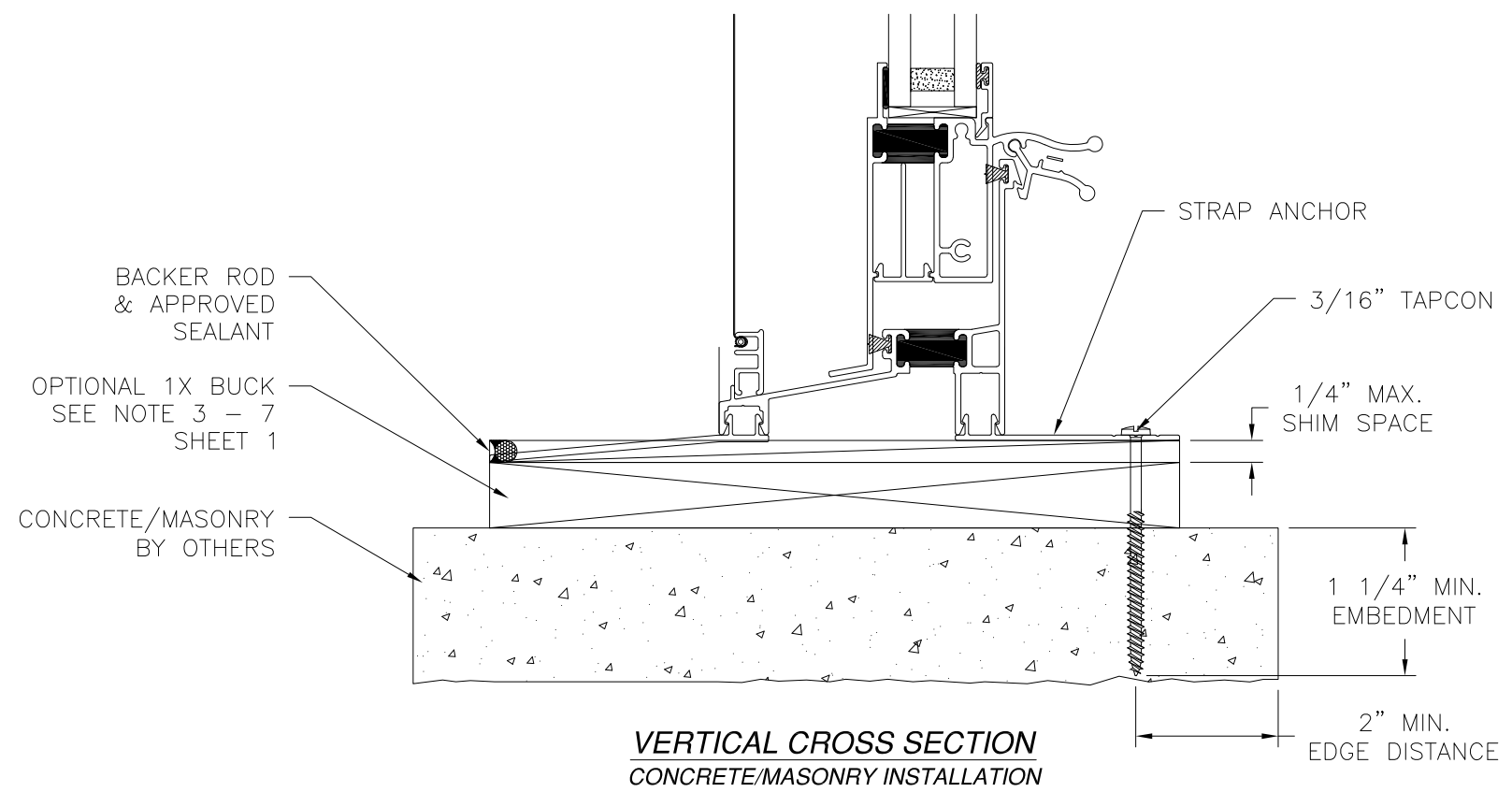


Luis R. Lomas P.E.
 FL No.: 62514

REVISIONS			
REV	DESCRIPTION	DATE	APPROVED
A	ADDED EDGE DIMENSIONS	03/25/15	R.L.
B	REVISED PER NEW REQUIREMENTS	03/26/18	R.L.



JAMB INSTALLATION DETAIL
CONCRETE/MASONRY INSTALLATION



VERTICAL CROSS SECTION
CONCRETE/MASONRY INSTALLATION

- NOTES:**
1. INTERIOR AND EXTERIOR FINISHES, BY OTHERS, NOT SHOWN FOR CLARITY.
 2. PERIMETER AND JOINT SEALANT BY OTHERS TO BE DESIGNED IN ACCORDANCE WITH ASTM E2112

SIGNED: 03/26/2018

WOJAN WINDOW & DOOR CORPORATION
217 STOVER ROAD
CHARLEVOIX, MI 49270

M950 ALUMINUM SINGLE HUNG WINDOW
54" X 86" NON-IMPACT
CLIP INSTALLATION DETAILS

DRAWN: J.L.	DWG NO. 08-02381	REV B
SCALE NTS	DATE 06/17/14	SHEET 5 OF 5

L. ROBERTO LOMAS P.E.
1432 WOODFORD RD LEWISVILLE, NC 27023
434-688-0609 rllomas@rlomaspe.com

Luis R. Lomas P.E.
FL No.: 62514