

REVISIONS			
REV	DESCRIPTION	DATE	APPROVED
A	ADDED EDGE DIMENSIONS	03/25/15	R.L.
B	REVISED PER NEW REQUIREMENTS	04/02/18	R.L.

NOTES:

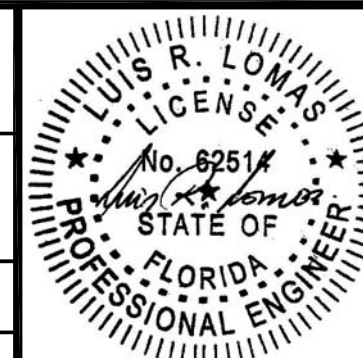
1. THE PRODUCT SHOWN HEREIN IS DESIGNED AND MANUFACTURED TO COMPLY WITH REQUIREMENTS OF THE FLORIDA BUILDING CODE.
2. WOOD FRAMING AND MASONRY OPENING TO BE DESIGNED AND ANCHORED TO PROPERLY TRANSFER ALL LOADS TO STRUCTURE. FRAMING AND MASONRY OPENING IS THE RESPONSIBILITY OF THE ARCHITECT OR ENGINEER OF RECORD.
3. 1X BUCK OVER MASONRY/CONCRETE IS OPTIONAL.
4. WHERE SHIM OR BUCK THICKNESS IS LESS THAN 1-1/2" WINDOW UNITS MUST BE ANCHORED THROUGH THE FRAME IN ACCORDANCE WITH MANUFACTURER'S PUBLISHED INSTALLATION INSTRUCTIONS. ANCHORS SHALL BE SECURELY FASTENED DIRECTLY INTO MASONRY, CONCRETE OR OTHER STRUCTURAL SUBSTRATE MATERIAL.
5. WHERE WOOD BUCK THICKNESS IS 1-1/2" OR GREATER, BUCK SHALL BE SECURELY FASTENED TO MASONRY, CONCRETE OR OTHER STRUCTURAL SUBSTRATE. WINDOW UNITS MAY BE ANCHORED THROUGH FRAME TO SECURED WOOD BUCK IN ACCORDANCE WITH MANUFACTURER'S PUBLISHED INSTALLATION INSTRUCTIONS.
6. WHERE 1X BUCK IS NOT USED DISSIMILAR MATERIALS MUST BE SEPARATED WITH APPROVED COATING OR MEMBRANE. SELECTION OF COATING OR MEMBRANE IS THE RESPONSIBILITY OF THE ARCHITECT OR ENGINEER OF RECORD.
7. BUCKS SHALL EXTEND BEYOND WINDOW INTERIOR FACE SO THAT FULL FRAME SUPPORT IS PROVIDED.
8. FOR FIN INSTALLATION SHIM AS NEEDED. FOR FRAME INSTALLATION SHIM AS REQUIRED AT EACH ANCHOR LOCATION WITH LOAD BEARING SHIM. SHIM WHERE SPACE OF 1/16" OR GREATER OCCURS. MAXIMUM ALLOWABLE SHIM STACK TO BE 1/4".
9. SHIMS SHALL BE LOCATED, APPLIED AND MADE FROM MATERIALS AND THICKNESS CAPABLE OF SUSTAINING APPLICABLE LOADS.
10. WIND LOAD DURATION FACTOR Cd=1.6 WAS USED FOR WOOD ANCHOR CALCULATIONS.
11. FRAME MATERIAL: ALUMINUM 6063-T6.
12. UNITS MUST BE GLAZED PER ASTM E1300-04/09, SEE SHEET 2 FOR GLAZING DETAILS.
13. APPROVED IMPACT PROTECTIVE SYSTEM IS NOT REQUIRED FOR THIS PRODUCT IN WIND BORNE DEBRIS REGIONS.
14. FOR ANCHORING INTO WOOD FRAMING OR 2X BUCK USE #10 WOOD SCREWS WITH SUFFICIENT LENGTH TO ACHIEVE A 1 1/4" MINIMUM EMBEDMENT INTO SUBSTRATE. LOCATE ANCHORS AS SHOWN IN ELEVATIONS AND INSTALLATION DETAILS.

15. FOR ANCHORING INTO MASONRY/CONCRETE USE 3/16" TAPCONS WITH SUFFICIENT LENGTH TO ACHIEVE A 1 1/4" MINIMUM EMBEDMENT INTO SUBSTRATE WITH 2" MINIMUM EDGE DISTANCE. LOCATE ANCHORS AS SHOWN IN ELEVATIONS AND INSTALLATION DETAILS.
16. FOR ANCHORING INTO METAL STRUCTURE USE #10 SMS OR SELF DRILLING SCREWS WITH SUFFICIENT LENGTH TO ACHIEVE 3 THREADS MINIMUM BEYOND STRUCTURE INTERIOR WALL. LOCATE ANCHORS AS SHOWN IN ELEVATIONS AND INSTALLATION DETAILS.
17. ALL FASTENERS TO BE CORROSION RESISTANT.
18. INSTALLATION ANCHORS SHALL BE INSTALLED IN ACCORDANCE WITH ANCHOR MANUFACTURER'S INSTALLATION INSTRUCTIONS AND ANCHORS SHALL NOT BE USED IN SUBSTRATES WITH STRENGTHS LESS THAN THE MINIMUM STRENGTH SPECIFIED BELOW:
 - A. WOOD - MINIMUM SPECIFIC GRAVITY OF G=0.42
 - B. CONCRETE - MINIMUM COMPRESSIVE STRENGTH OF 3,192 PSI.
 - C. MASONRY - STRENGTH CONFORMANCE TO ASTM C-90, GRADE N, TYPE 1 (OR GREATER).
 - D. METAL STRUCTURE: STEEL 18GA, 33KSI OR ALUMINUM 6063-T5 .048" THICK MINIMUM

SIGNED: 04/02/2018

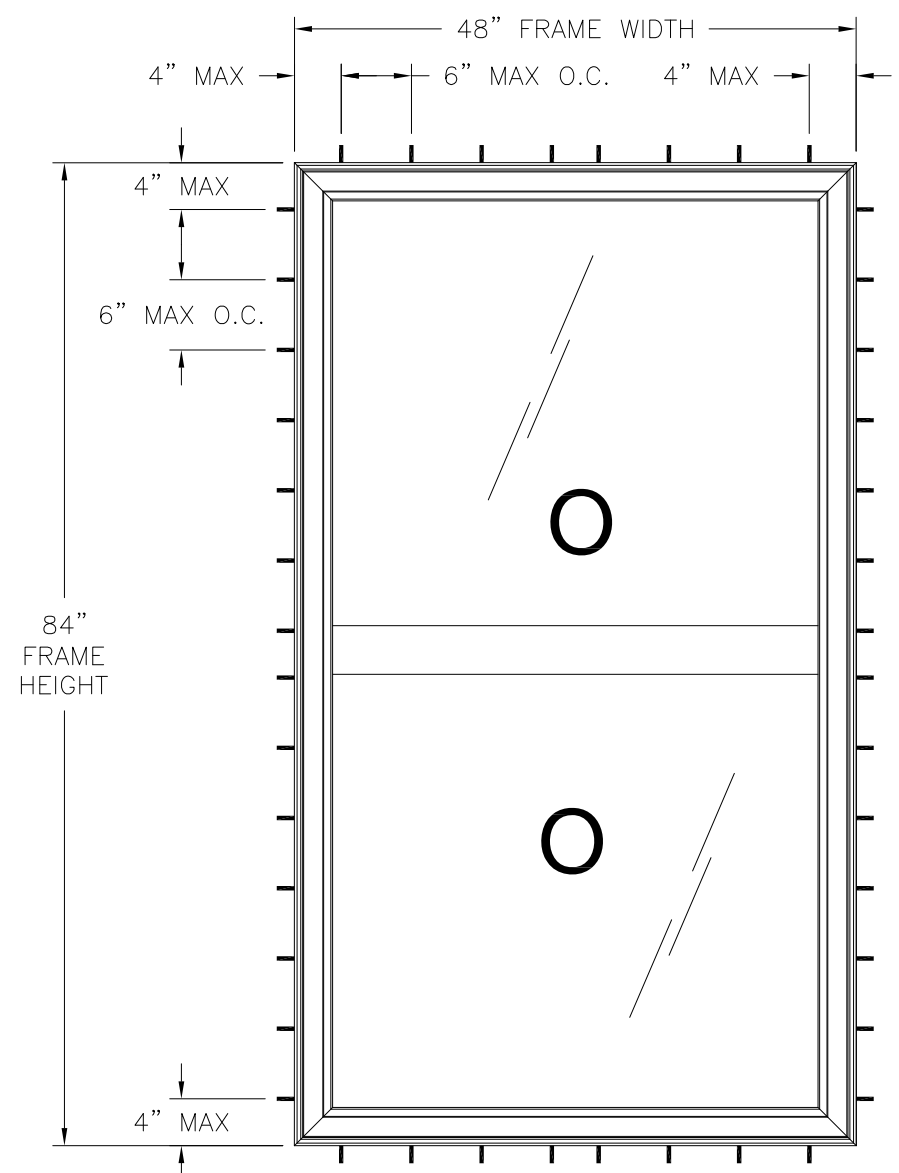
TABLE OF CONTENTS	
SHEET NO.	DESCRIPTION
1	NOTES
2	ELEVATION
3 - 8	INSTALLATION DETAILS
9	COMPONENTS

WOJAN WINDOW & DOOR CORPORATION 217 STOVER ROAD CHARLEVOIX, MI 49270		
M950 ALUMINUM FIXED OVER FIXED WINDOW 48" X 84" IMPACT NOTES		
DRAWN: J.L.	DWG NO. 08-02377	REV B
SCALE NTS	DATE 06/17/14	SHEET 1 OF 9
L. ROBERTO LOMAS P.E. 1432 WOODFORD RD LEWISVILLE, NC 27023 434-688-0609 rllomas@lrlomaspe.com		

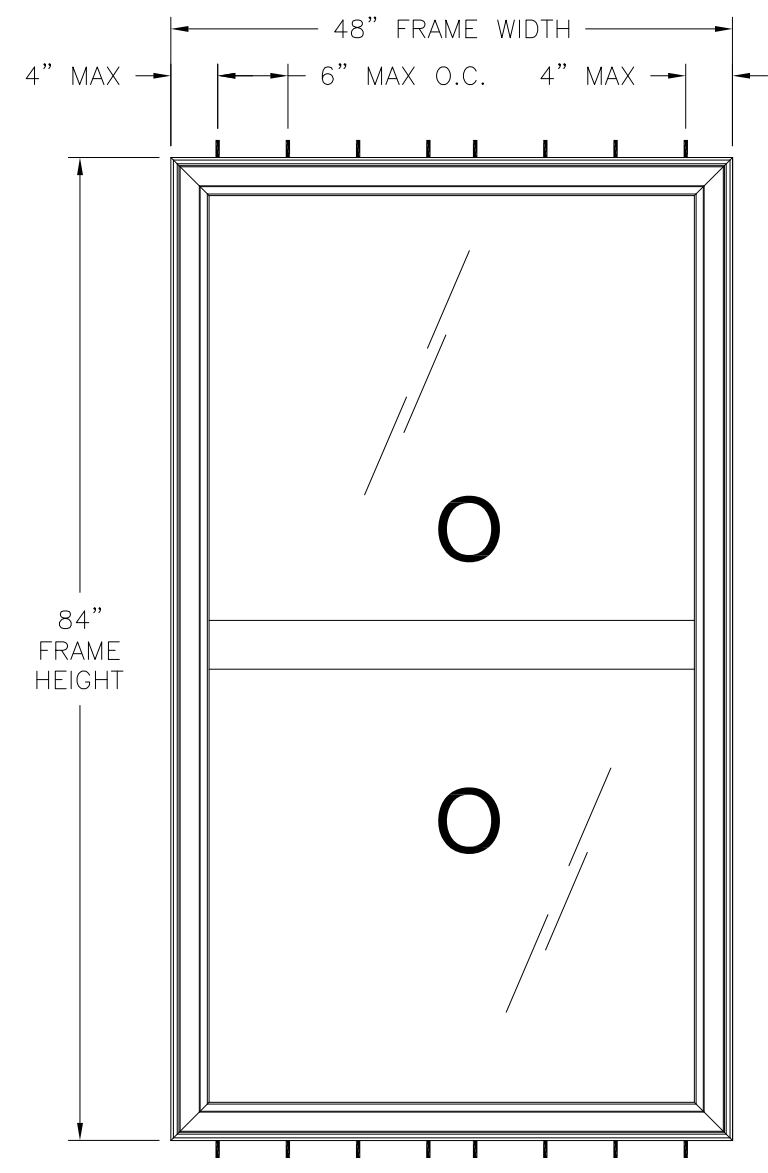


Luis R. Lomas P.E.
FL No.: 62514

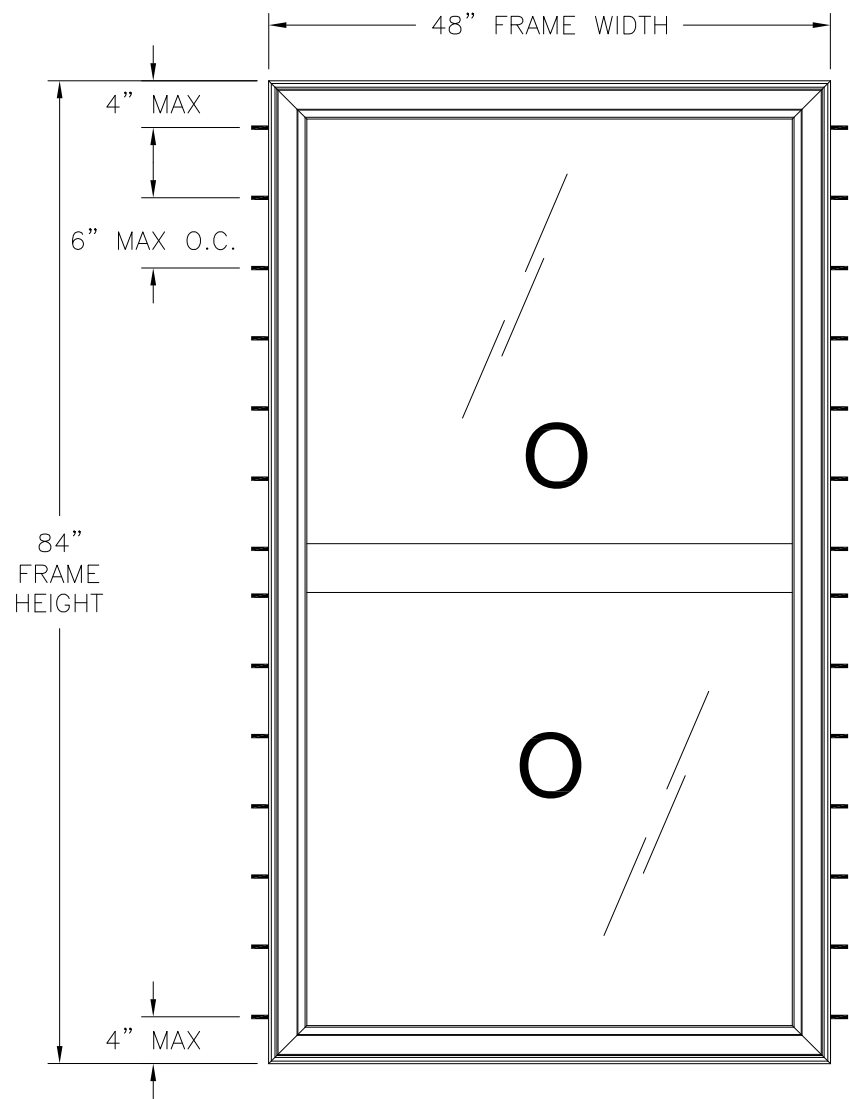
REVISIONS			
REV	DESCRIPTION	DATE	APPROVED
A	ADDED EDGE DIMENSIONS	03/25/15	R.L.
B	REVISED PER NEW REQUIREMENTS	04/02/18	R.L.



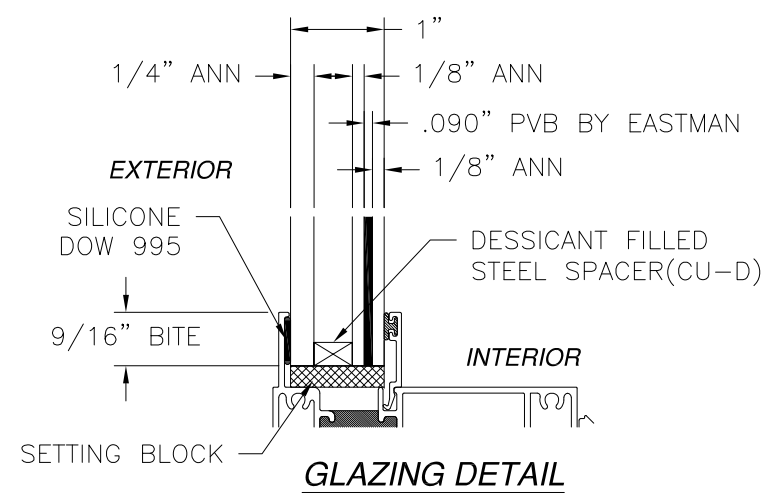
M950 ALUMINUM FIXED OVER FIXED WINDOW
EXTERIOR VIEW
WITH STRAP ANCHOR



M950 ALUMINUM FIXED OVER FIXED WINDOW
EXTERIOR VIEW
WITH BLAST ANCHOR



M950 ALUMINUM FIXED OVER FIXED WINDOW
EXTERIOR VIEW
WITH BLAST ANCHOR



GLAZING DETAIL

DESIGN LOAD RATING	IMPACT RATING
±50.0PSF	LARGE AND SMALL MISSILE IMPACT

MISSILE LEVEL D, WIND ZONE 4
48" X 84" UNIT SHOWN. OTHER SIZES APPROVED AS LONG AS FRAME AREA DOES NOT EXCEED 28 FT²

NOTES:
1. D.L.O.: 44 3/4" X 39 1/4"

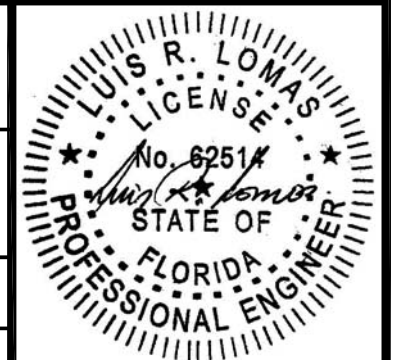
WOJAN WINDOW & DOOR CORPORATION
217 STOVER ROAD
CHARLEVOIX, MI 49270

M950 ALUMINUM FIXED OVER FIXED WINDOW
48" X 84" IMPACT
ELEVATIONS AND GLAZING DETAILS

DRAWN: J.L.	DWG NO. 08-02377	REV B
SCALE NTS	DATE 06/17/14	SHEET 2 OF 9

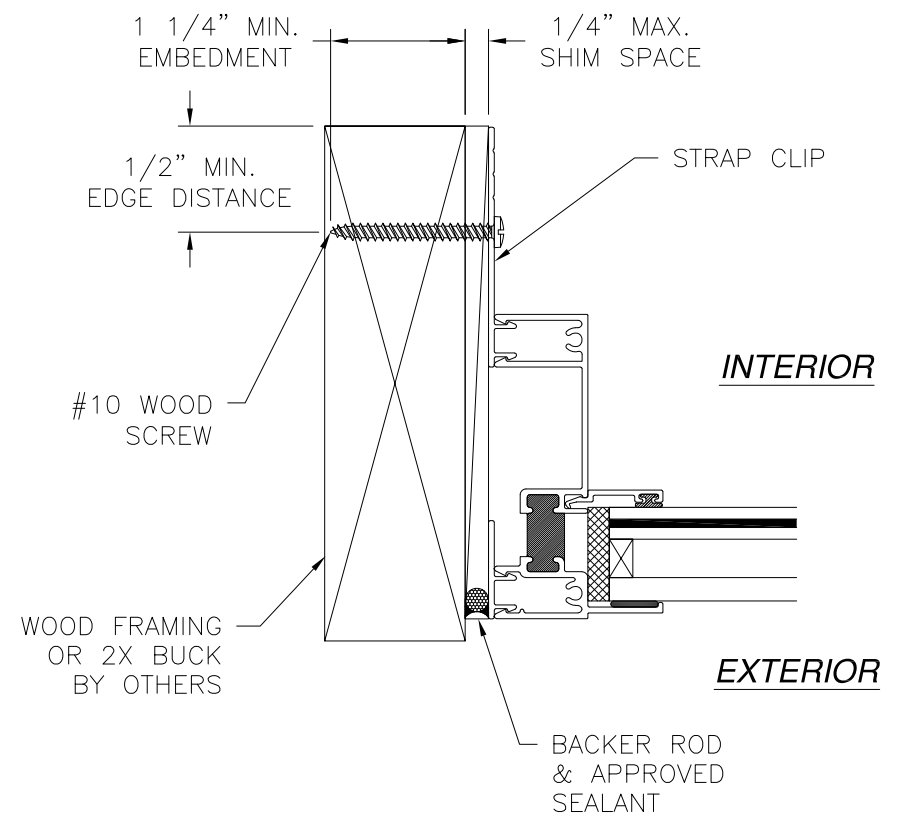
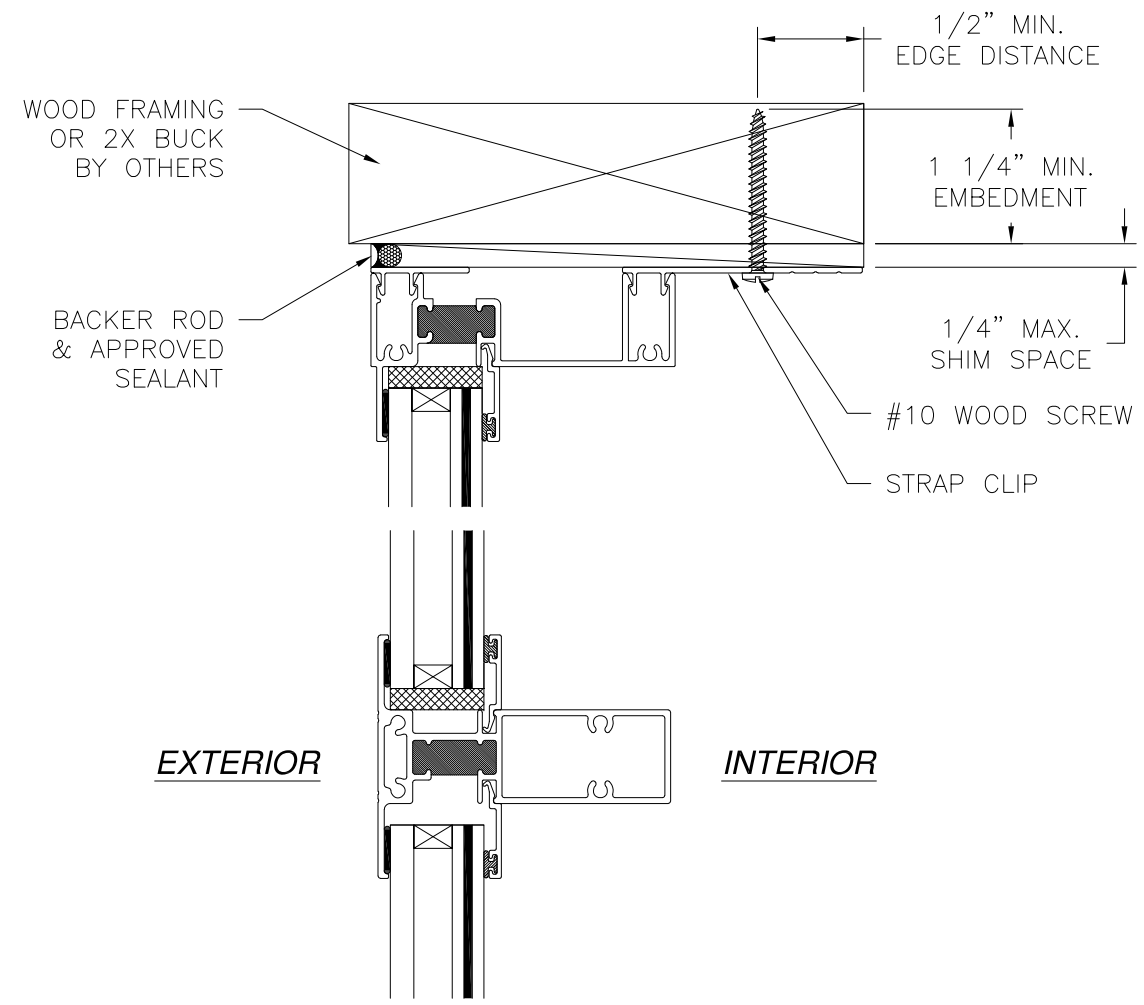
L. ROBERTO LOMAS P.E.
1432 WOODFORD RD LEWISVILLE, NC 27023
434-688-0609 rllomas@rlomaspe.com

SIGNED: 04/02/2018

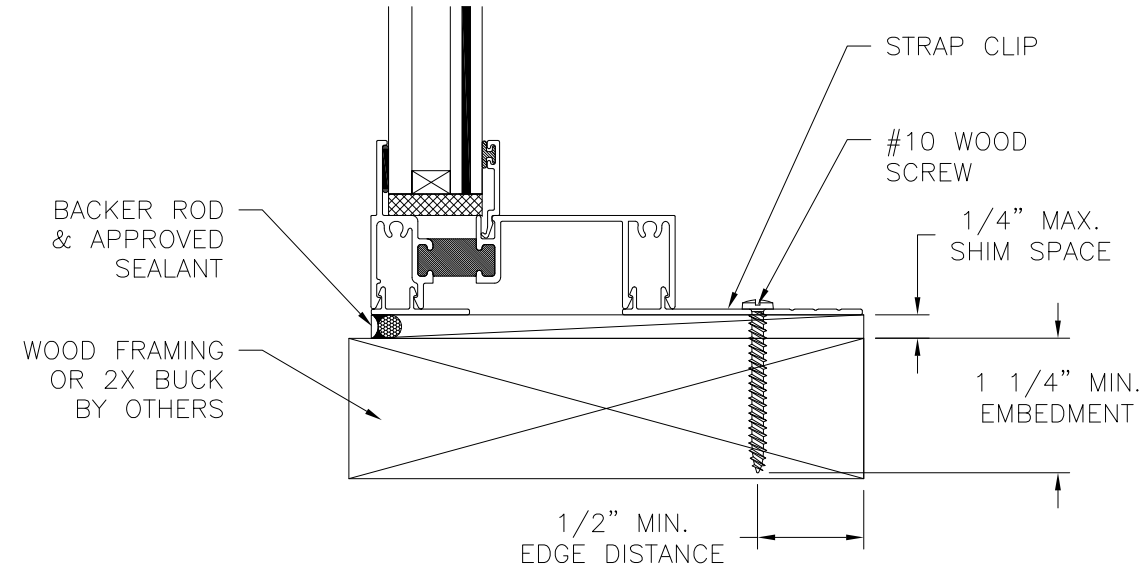


Luis R. Lomas P.E.
FL No.: 62514

REVISIONS			
REV	DESCRIPTION	DATE	APPROVED
A	ADDED EDGE DIMENSIONS	03/25/15	R.L.
B	REVISED PER NEW REQUIREMENTS	04/02/18	R.L.



JAMB INSTALLATION DETAIL
WOOD FRAMING OR 2X BUCK INSTALLATION



VERTICAL CROSS SECTION
WOOD FRAMING OR 2X BUCK INSTALLATION

NOTES:
1. INTERIOR AND EXTERIOR FINISHES, BY OTHERS, NOT SHOWN FOR CLARITY.
2. PERIMETER AND JOINT SEALANT BY OTHERS TO BE DESIGNED IN ACCORDANCE WITH ASTM E2112

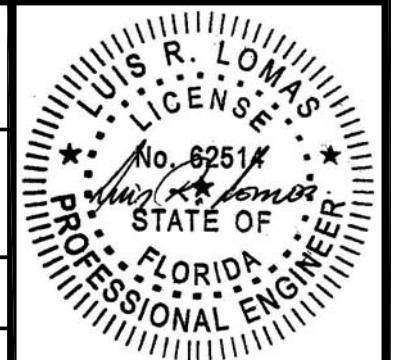
SIGNED: 04/02/2018

WOJAN WINDOW & DOOR CORPORATION
217 STOVER ROAD
CHARLEVOIX, MI 49270

M950 ALUMINUM FIXED OVER FIXED WINDOW
48" X 84" IMPACT
STRAP CLIP INSTALLATION DETAILS

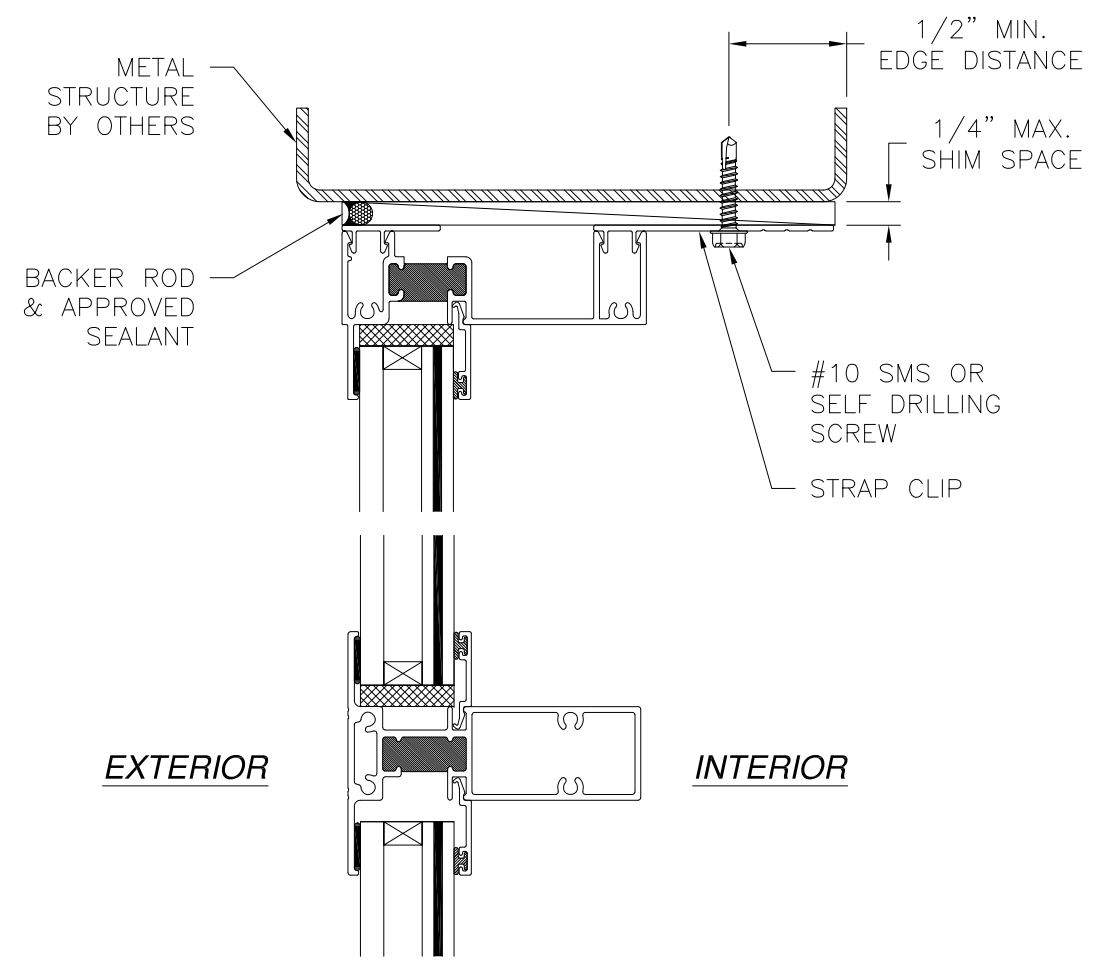
DRAWN: J.L.	DWG NO. 08-02377	REV B
SCALE NTS	DATE 06/17/14	SHEET 3 OF 9

L. ROBERTO LOMAS P.E.
1432 WOODFORD RD LEWISVILLE, NC 27023
434-688-0609 rllomas@rlomaspe.com



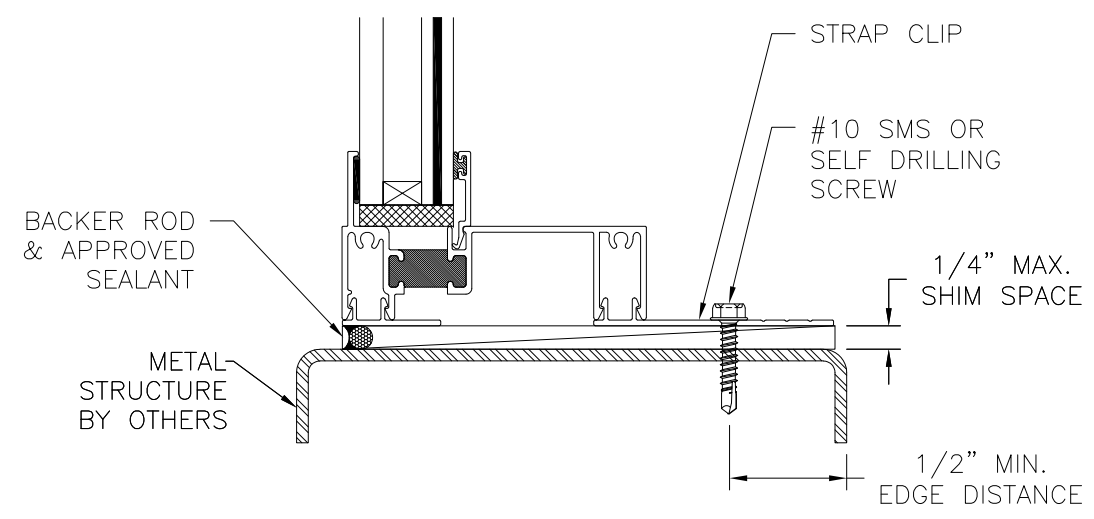
Luis R. Lomas P.E.
FL No.: 62514

REVISIONS			
REV	DESCRIPTION	DATE	APPROVED
A	ADDED EDGE DIMENSIONS	03/25/15	R.L.
B	REVISED PER NEW REQUIREMENTS	04/02/18	R.L.

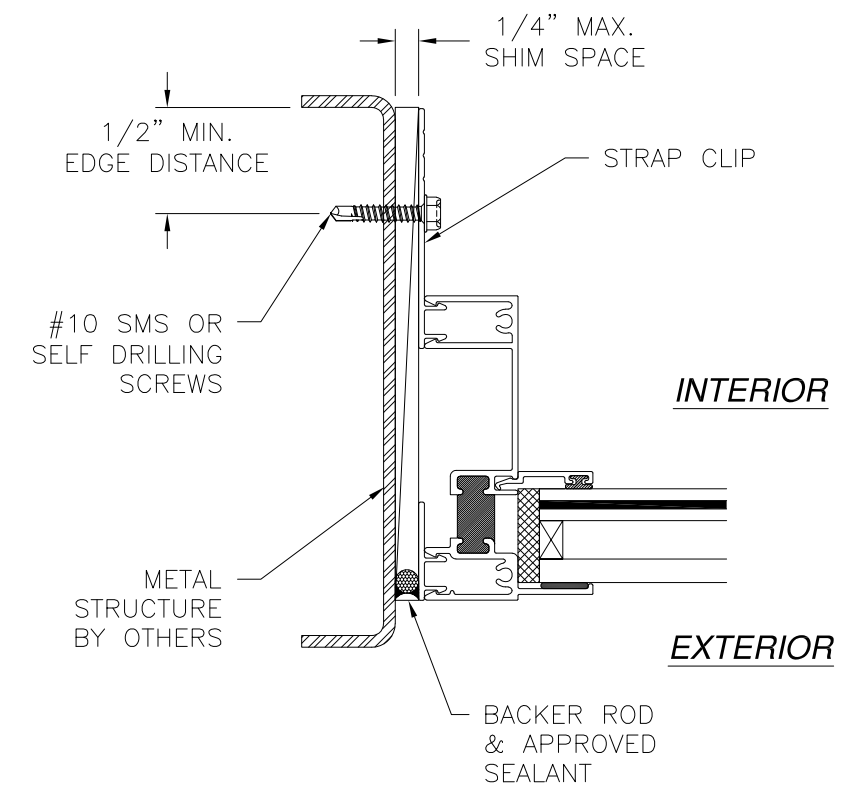


EXTERIOR

INTERIOR



VERTICAL CROSS SECTION
METAL STRUCTURE INSTALLATION



JAMB INSTALLATION DETAIL
METAL STRUCTURE INSTALLATION

NOTES:
1. INTERIOR AND EXTERIOR FINISHES, BY OTHERS, NOT SHOWN FOR CLARITY.
2. PERIMETER AND JOINT SEALANT BY OTHERS TO BE DESIGNED IN ACCORDANCE WITH ASTM E2112

WOJAN WINDOW & DOOR CORPORATION
217 STOVER ROAD
CHARLEVOIX, MI 49270

M950 ALUMINUM FIXED OVER FIXED WINDOW
48" X 84" IMPACT
STRAP CLIP INSTALLATION DETAILS

DRAWN: J.L.	DWG NO. 08-02377	REV B
SCALE NTS	DATE 06/17/14	SHEET 4 OF 9

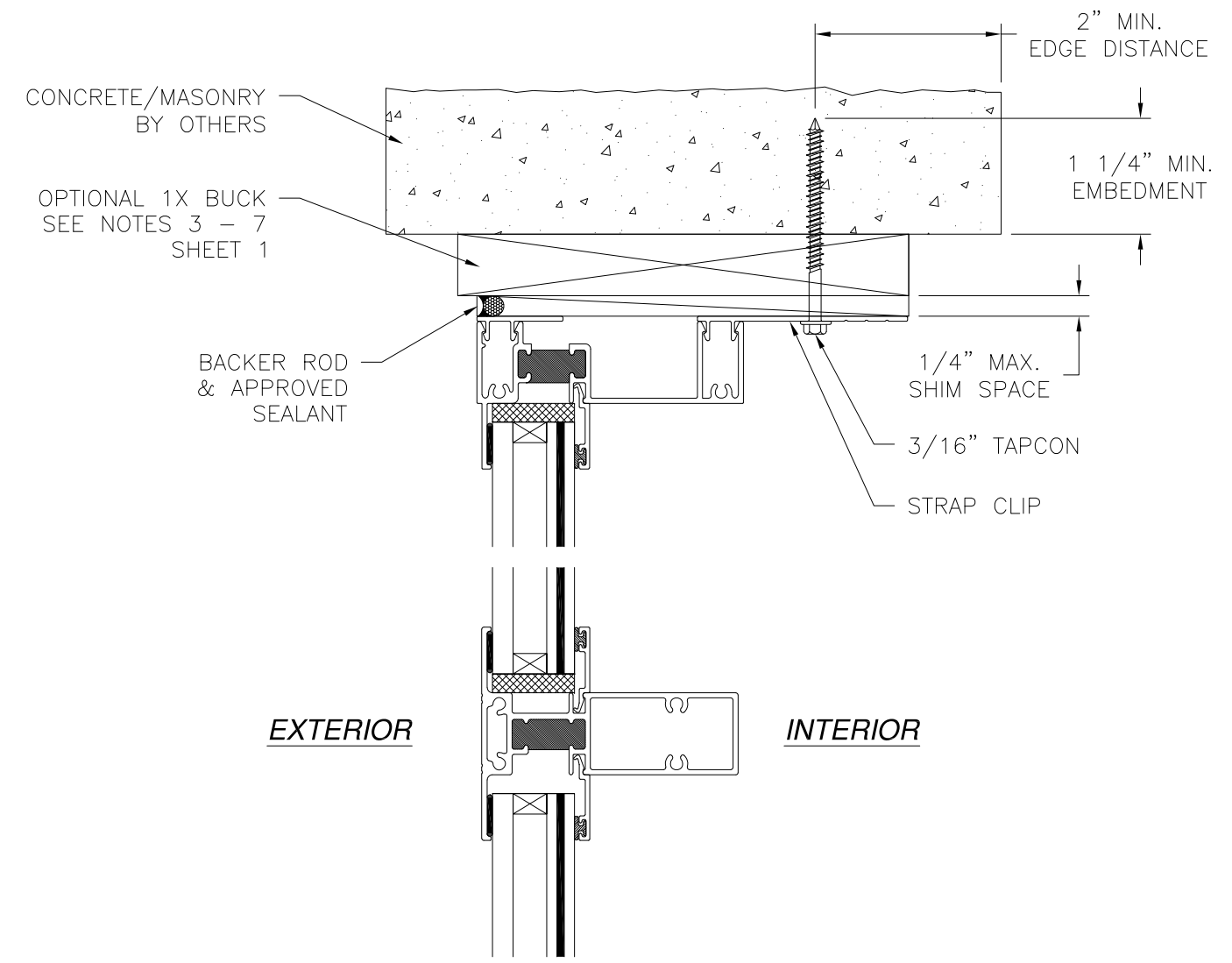
L. ROBERTO LOMAS P.E.
1432 WOODFORD RD LEWISVILLE, NC 27023
434-688-0609 rllomas@rlomaspe.com

SIGNED: 04/02/2018



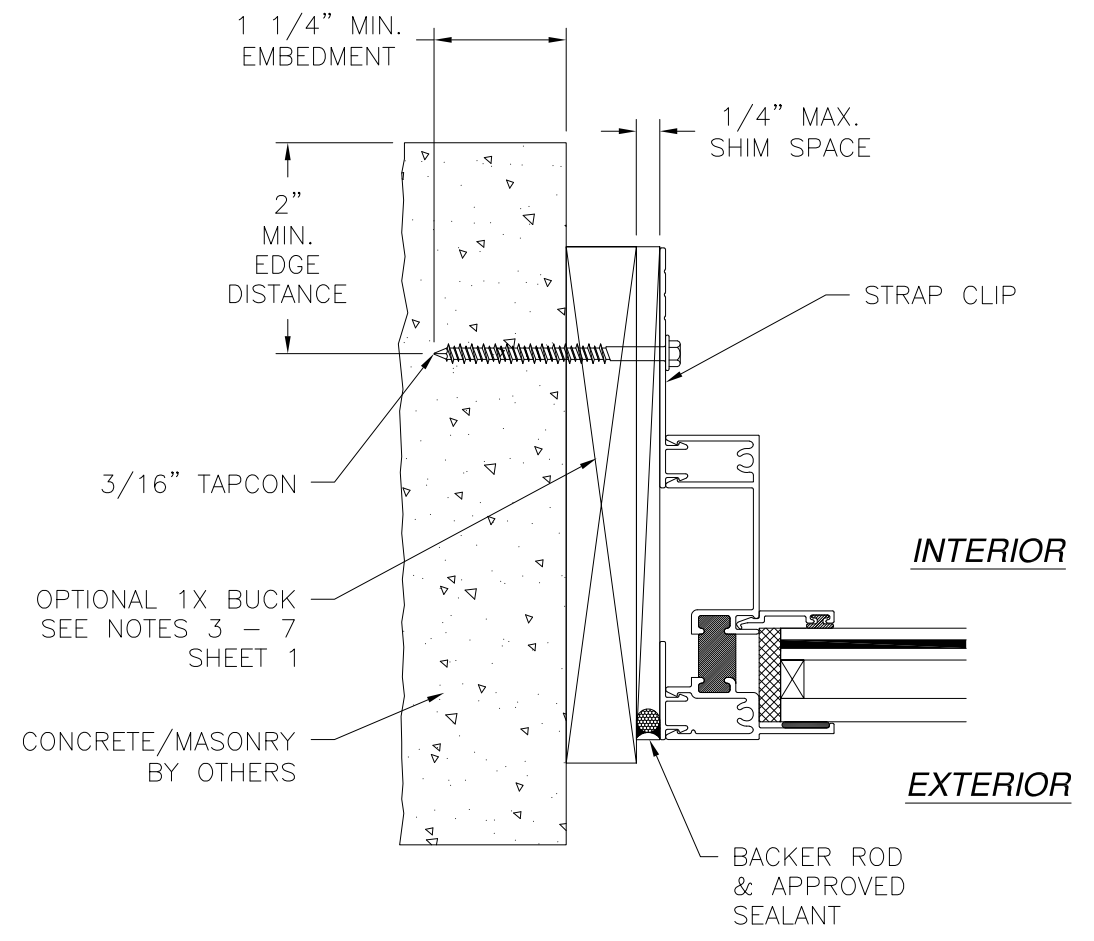
Luis R. Lomas P.E.
FL No.: 62514

REVISIONS			
REV	DESCRIPTION	DATE	APPROVED
A	ADDED EDGE DIMENSIONS	03/25/15	R.L.
B	REVISED PER NEW REQUIREMENTS	04/02/18	R.L.



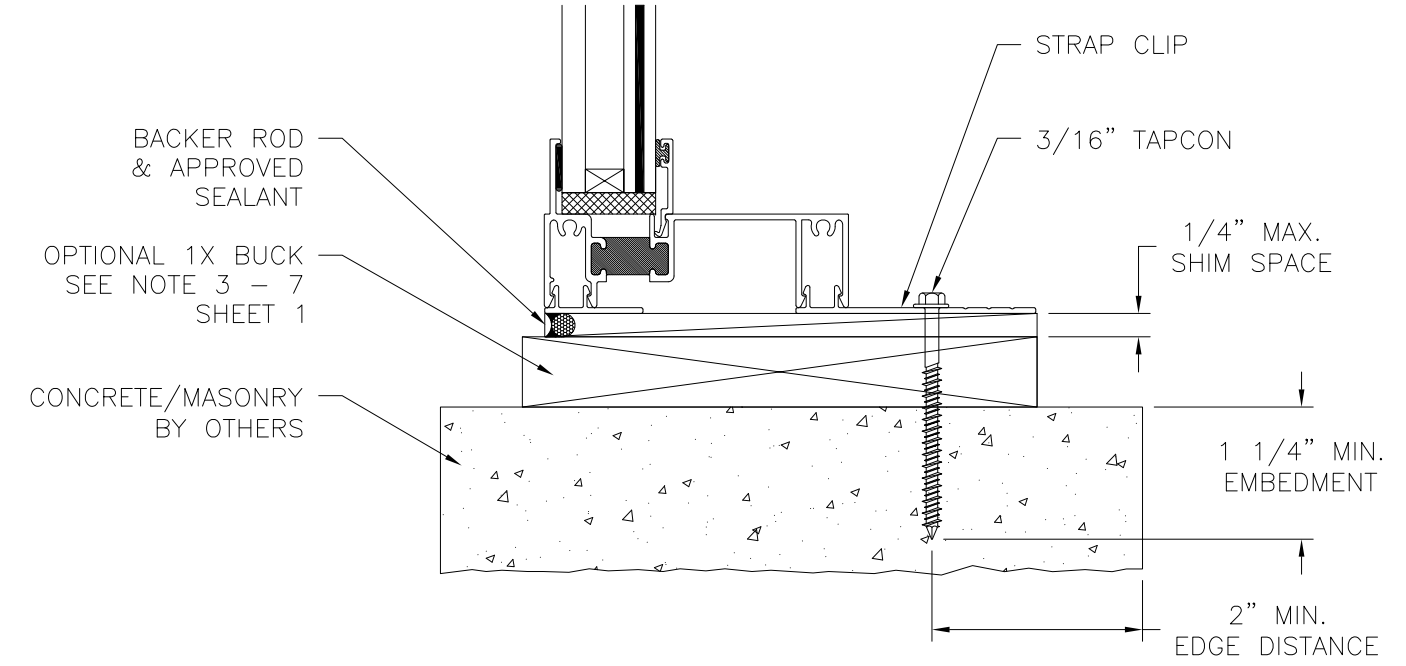
EXTERIOR

INTERIOR



JAMB INSTALLATION DETAIL
CONCRETE/MASONRY INSTALLATION

- NOTES:**
1. INTERIOR AND EXTERIOR FINISHES, BY OTHERS, NOT SHOWN FOR CLARITY.
 2. PERIMETER AND JOINT SEALANT BY OTHERS TO BE DESIGNED IN ACCORDANCE WITH ASTM E2112



VERTICAL CROSS SECTION
CONCRETE/MASONRY INSTALLATION

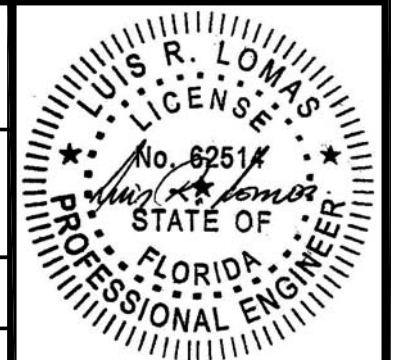
WOJAN WINDOW & DOOR CORPORATION
217 STOVER ROAD
CHARLEVOIX, MI 49270

M950 ALUMINUM FIXED OVER FIXED WINDOW
48" X 84" IMPACT
STRAP CLIP INSTALLATION DETAILS

DRAWN: J.L.	DWG NO. 08-02377	REV B
SCALE NTS	DATE 06/17/14	SHEET 5 OF 9

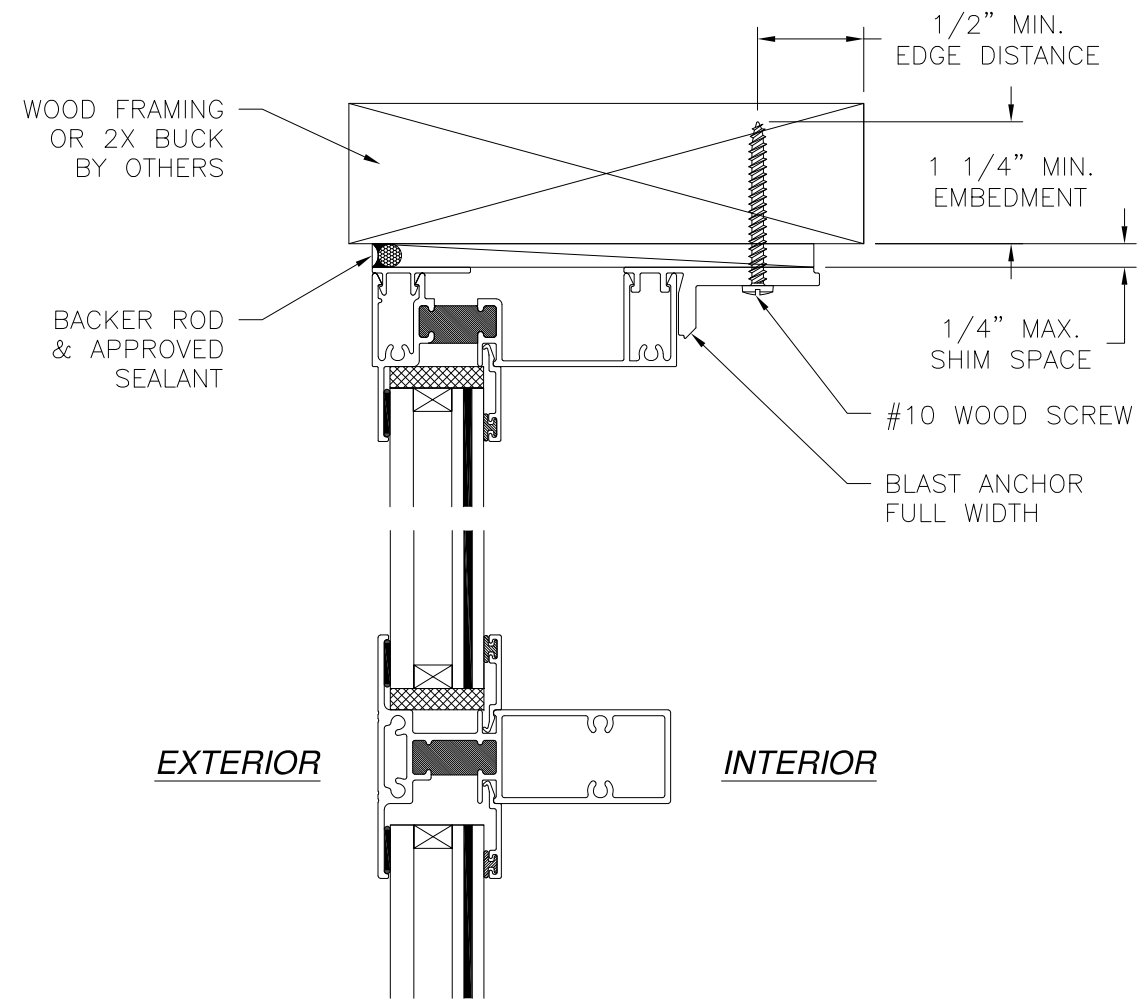
L. ROBERTO LOMAS P.E.
1432 WOODFORD RD LEWISVILLE, NC 27023
434-688-0609 rllomas@rlomaspe.com

SIGNED: 04/02/2018



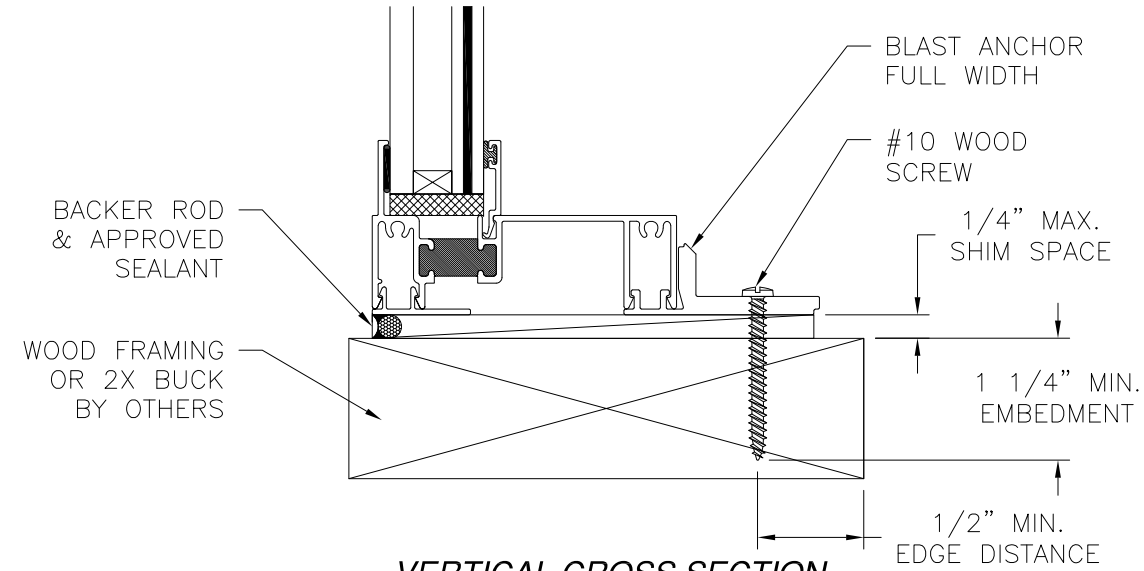
Luis R. Lomas P.E.
FL No.: 62514

REVISIONS			
REV	DESCRIPTION	DATE	APPROVED
A	ADDED EDGE DIMENSIONS	03/25/15	R.L.
B	REVISED PER NEW REQUIREMENTS	04/02/18	R.L.

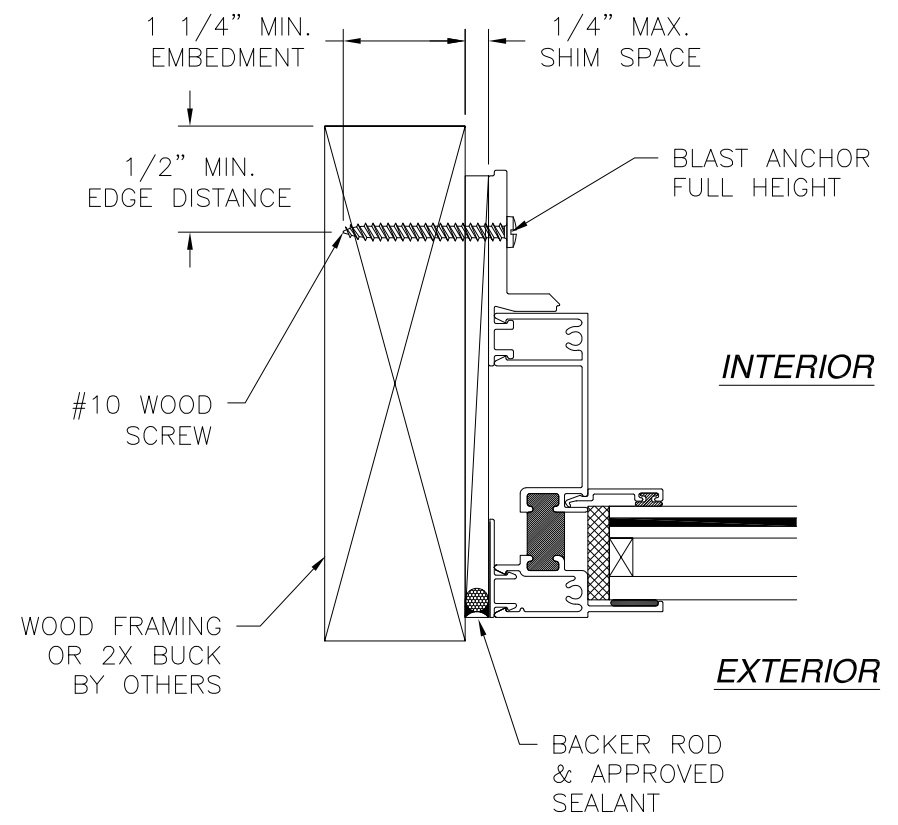


EXTERIOR

INTERIOR



VERTICAL CROSS SECTION
WOOD FRAMING OR 2X BUCK INSTALLATION



JAMB INSTALLATION DETAIL
WOOD FRAMING OR 2X BUCK INSTALLATION

NOTES:
1. INTERIOR AND EXTERIOR FINISHES, BY OTHERS, NOT SHOWN FOR CLARITY.
2. PERIMETER AND JOINT SEALANT BY OTHERS TO BE DESIGNED IN ACCORDANCE WITH ASTM E2112

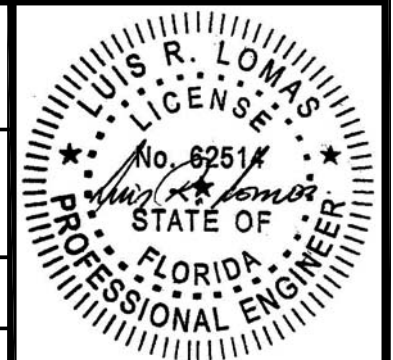
WOJAN WINDOW & DOOR CORPORATION
217 STOVER ROAD
CHARLEVOIX, MI 49270

M950 ALUMINUM FIXED OVER FIXED WINDOW
48" X 84" IMPACT
BLAST ANCHOR INSTALLATION DETAILS

DRAWN: J.L.	DWG NO. 08-02377	REV B
SCALE NTS	DATE 06/17/14	SHEET 6 OF 9

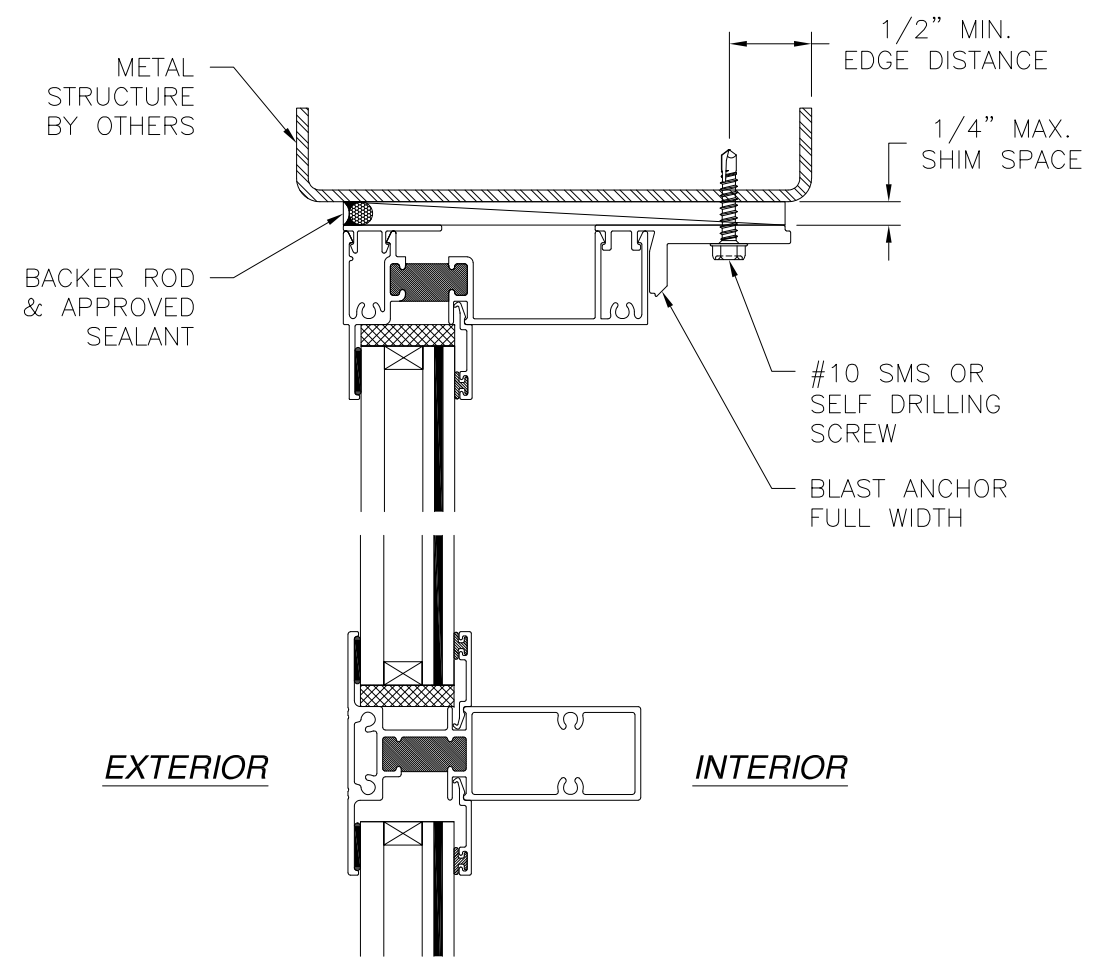
L. ROBERTO LOMAS P.E.
1432 WOODFORD RD LEWISVILLE, NC 27023
434-688-0609 rllomas@rlomaspe.com

SIGNED: 04/02/2018



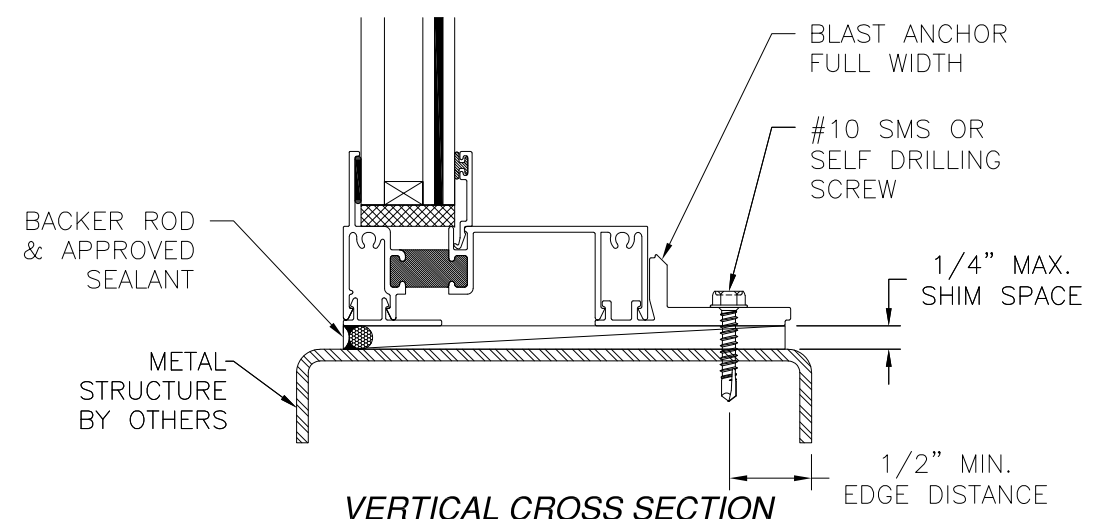
Luis R. Lomas P.E.
FL No.: 62514

REVISIONS			
REV	DESCRIPTION	DATE	APPROVED
A	ADDED EDGE DIMENSIONS	03/25/15	R.L.
B	REVISED PER NEW REQUIREMENTS	04/02/18	R.L.

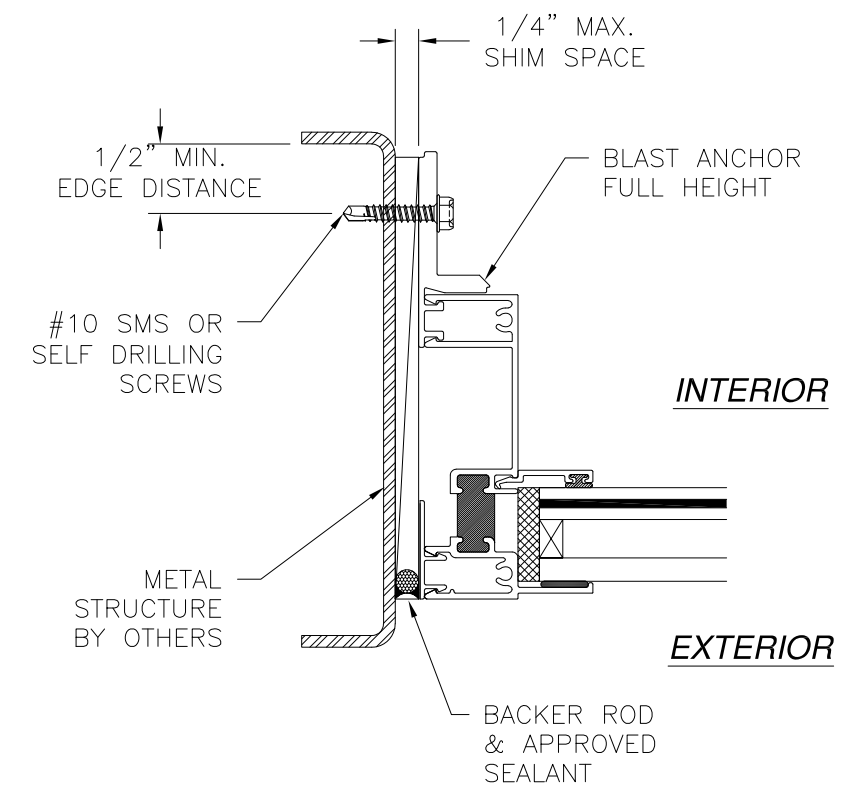


EXTERIOR

INTERIOR



VERTICAL CROSS SECTION
METAL STRUCTURE INSTALLATION



INTERIOR

EXTERIOR

JAMB INSTALLATION DETAIL
METAL STRUCTURE INSTALLATION

NOTES:
1. INTERIOR AND EXTERIOR FINISHES, BY OTHERS, NOT SHOWN FOR CLARITY.
2. PERIMETER AND JOINT SEALANT BY OTHERS TO BE DESIGNED IN ACCORDANCE WITH ASTM E2112

WOJAN WINDOW & DOOR CORPORATION
217 STOVER ROAD
CHARLEVOIX, MI 49270

M950 ALUMINUM FIXED OVER FIXED WINDOW
48" X 84" IMPACT
BLAST ANCHOR INSTALLATION DETAILS

DRAWN: J.L.	DWG NO. 08-02377	REV B
SCALE NTS	DATE 06/17/14	SHEET 7 OF 9

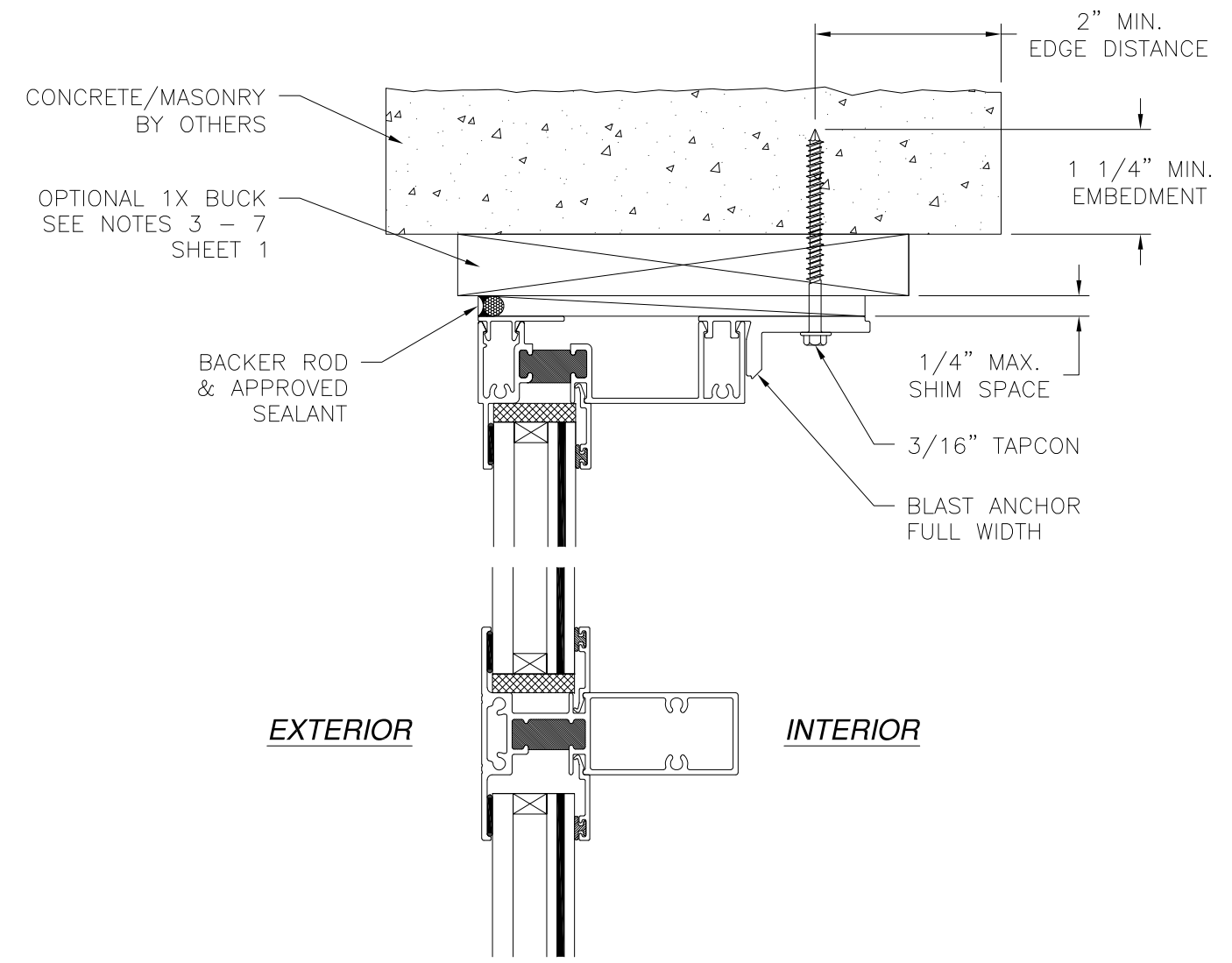
L. ROBERTO LOMAS P.E.
1432 WOODFORD RD LEWISVILLE, NC 27023
434-688-0609 rllomas@rlomaspe.com

SIGNED: 04/02/2018



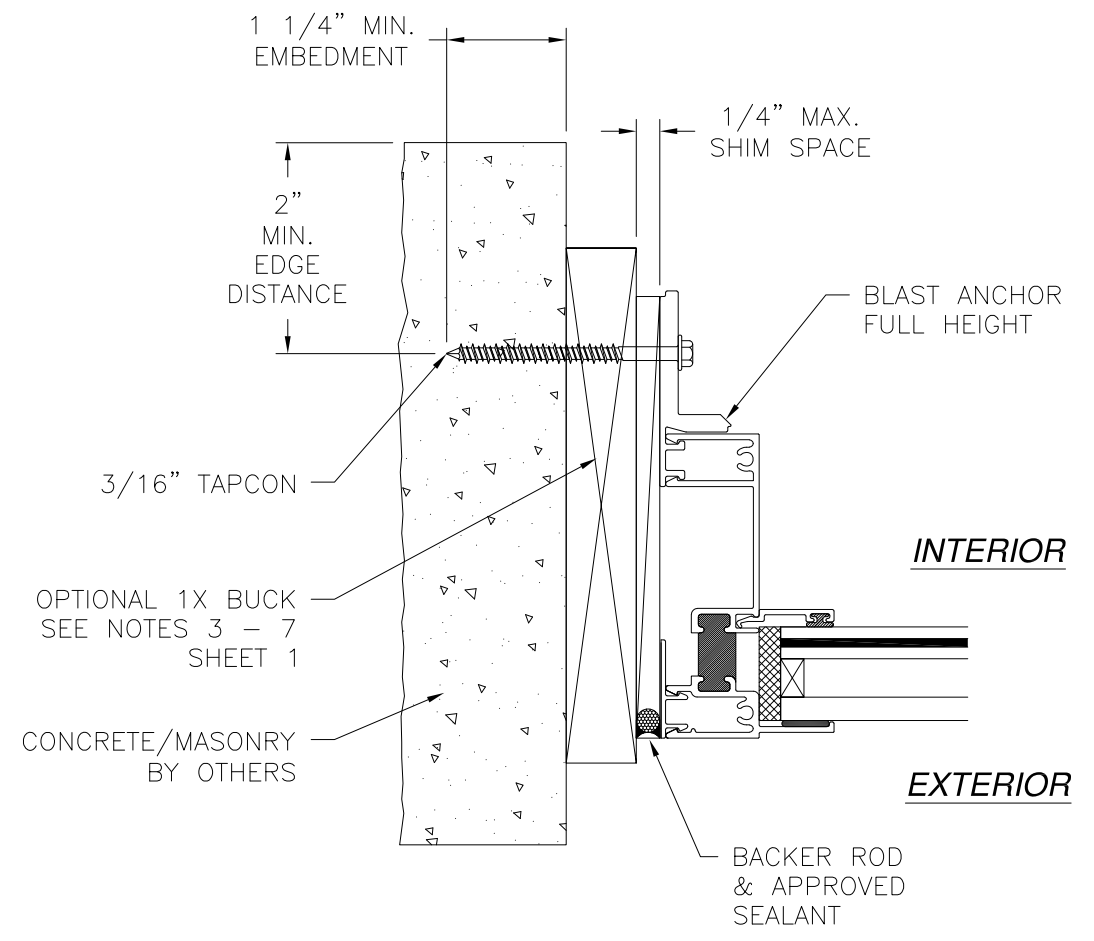
Luis R. Lomas P.E.
FL No.: 62514

REVISIONS			
REV	DESCRIPTION	DATE	APPROVED
A	ADDED EDGE DIMENSIONS	03/25/15	R.L.
B	REVISED PER NEW REQUIREMENTS	04/02/18	R.L.



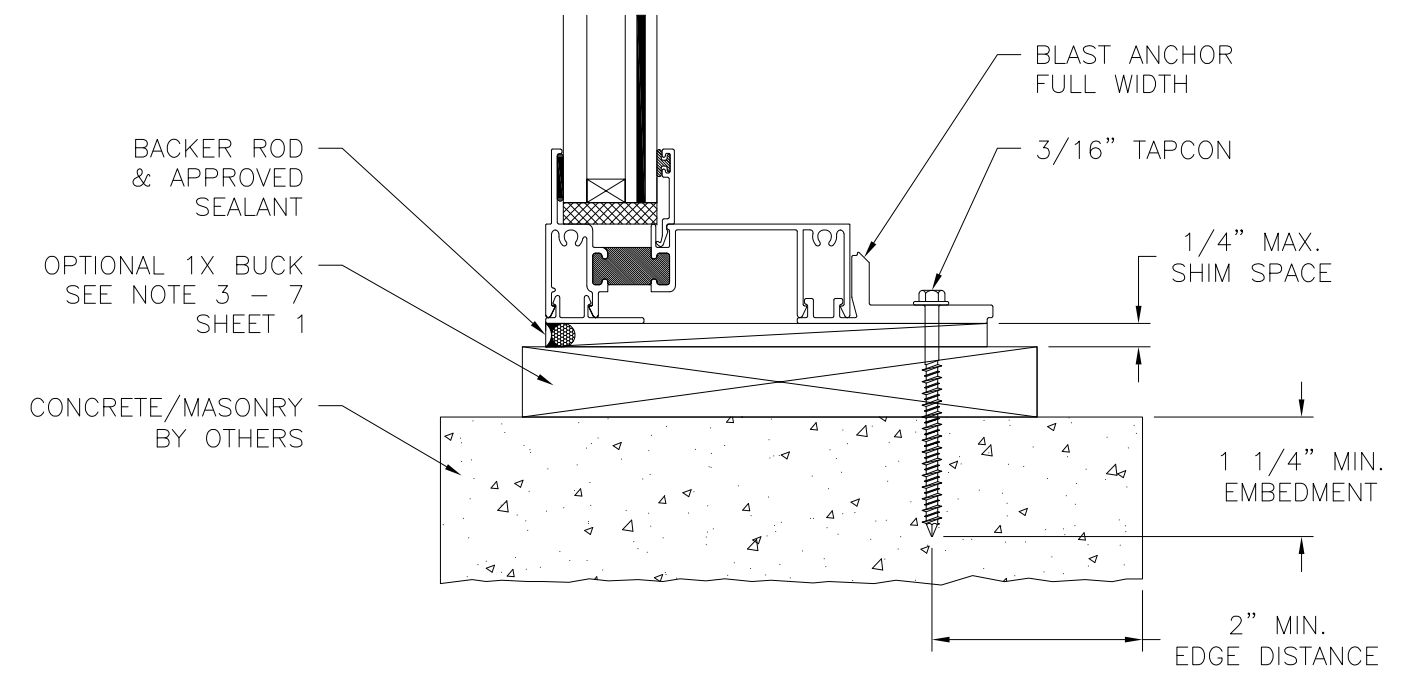
EXTERIOR

INTERIOR



JAMB INSTALLATION DETAIL
CONCRETE/MASONRY INSTALLATION

- NOTES:**
1. INTERIOR AND EXTERIOR FINISHES, BY OTHERS, NOT SHOWN FOR CLARITY.
 2. PERIMETER AND JOINT SEALANT BY OTHERS TO BE DESIGNED IN ACCORDANCE WITH ASTM E2112



VERTICAL CROSS SECTION
CONCRETE/MASONRY INSTALLATION

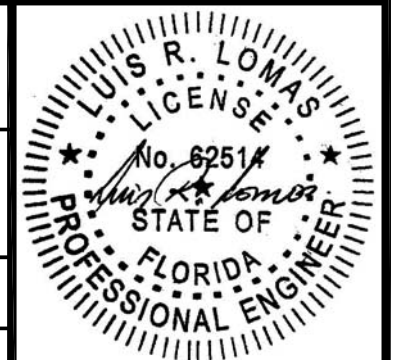
WOJAN WINDOW & DOOR CORPORATION
217 STOVER ROAD
CHARLEVOIX, MI 49270

M950 ALUMINUM FIXED OVER FIXED WINDOW
48" X 84" IMPACT
BLAST ANCHOR INSTALLATION DETAILS

DRAWN: J.L.	DWG NO. 08-02377	REV B
SCALE NTS	DATE 06/17/14	SHEET 8 OF 9

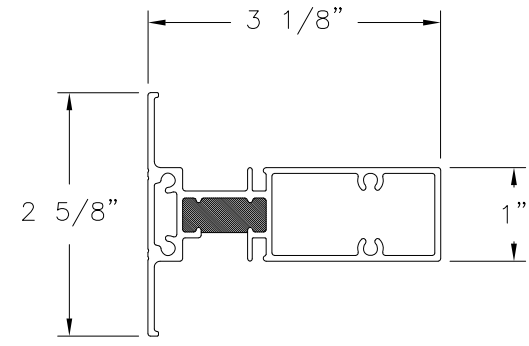
L. ROBERTO LOMAS P.E.
1432 WOODFORD RD LEWISVILLE, NC 27023
434-688-0609 rllomas@rlomaspe.com

SIGNED: 04/02/2018

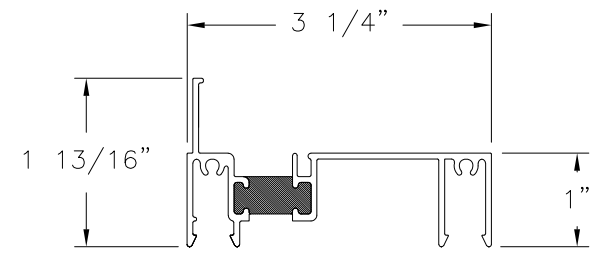


Luis R. Lomas P.E.
FL No.: 62514

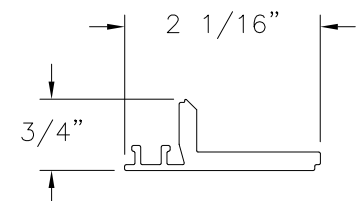
REVISIONS			
REV	DESCRIPTION	DATE	APPROVED
A	ADDED EDGE DIMENSIONS	03/25/15	R.L.
B	REVISED PER NEW REQUIREMENTS	04/02/18	R.L.



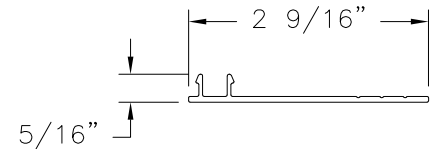
T-MULLION
6063-T6 ALUMINUM (1095015011XX)



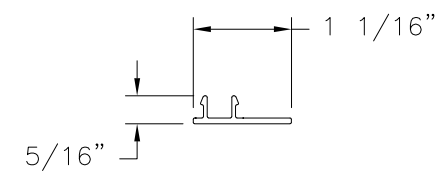
HEAD, SILL AND JAMB FRAME
6063-T6 ALUMINUM (1095015003XX)



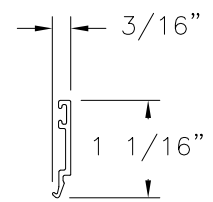
BLAST ANCHOR
6063-T6 ALUMINUM (1095015057ML)



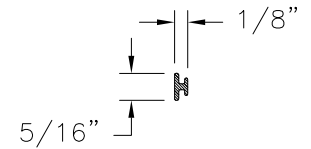
STRAP CLIP
6063-T6 ALUMINUM (1095015014ML)



CAULK BACKER
6063-T6 ALUMINUM (2095015062BK)



GLAZING BEAD
6063-T6 ALUMINUM (1095015008XX)



GLAZING BEAD SPACER
RIGID PVC (2095015030XX)

WOJAN WINDOW & DOOR CORPORATION
217 STOVER ROAD
CHARLEVOIX, MI 49270

M950 ALUMINUM FIXED OVER FIXED WINDOW
48" X 84" IMPACT COMPONENTS

DRAWN: J.L.	DWG NO. 08-02377	REV B
SCALE NTS	DATE 06/17/14	SHEET 9 OF 9

L. ROBERTO LOMAS P.E.
1432 WOODFORD RD LEWISVILLE, NC 27023
434-688-0609 rllomas@rlomaspe.com

SIGNED: 04/02/2018



Luis R. Lomas P.E.
FL No.: 62514