

REVISIONS			
REV	DESCRIPTION	DATE	APPROVED
A	ADDED EDGE DIMENSIONS	03/25/15	R.L.
B	REVISED PER NEW REQUIREMENTS	04/02/18	R.L.

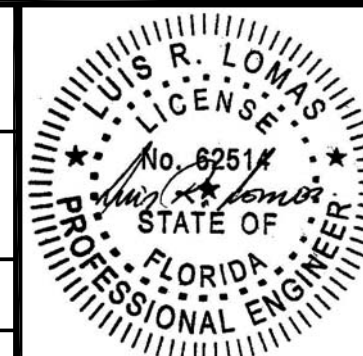
NOTES:

- THE PRODUCT SHOWN HEREIN IS DESIGNED AND MANUFACTURED TO COMPLY WITH REQUIREMENTS OF THE FLORIDA BUILDING CODE.
- WOOD FRAMING AND MASONRY OPENING TO BE DESIGNED AND ANCHORED TO PROPERLY TRANSFER ALL LOADS TO STRUCTURE. FRAMING AND MASONRY OPENING IS THE RESPONSIBILITY OF THE ARCHITECT OR ENGINEER OF RECORD.
- 1X BUCK OVER MASONRY/CONCRETE IS OPTIONAL.
- WHERE SHIM OR BUCK THICKNESS IS LESS THAN 1-1/2" WINDOW UNITS MUST BE ANCHORED THROUGH THE FRAME IN ACCORDANCE WITH MANUFACTURER'S PUBLISHED INSTALLATION INSTRUCTIONS. ANCHORS SHALL BE SECURELY FASTENED DIRECTLY INTO MASONRY, CONCRETE OR OTHER STRUCTURAL SUBSTRATE MATERIAL.
- WHERE WOOD BUCK THICKNESS IS 1-1/2" OR GREATER, BUCK SHALL BE SECURELY FASTENED TO MASONRY, CONCRETE OR OTHER STRUCTURAL SUBSTRATE. WINDOW UNITS MAY BE ANCHORED THROUGH FRAME TO SECURED WOOD BUCK IN ACCORDANCE WITH MANUFACTURER'S PUBLISHED INSTALLATION INSTRUCTIONS.
- WHERE 1X BUCK IS NOT USED DISSIMILAR MATERIALS MUST BE SEPARATED WITH APPROVED COATING OR MEMBRANE. SELECTION OF COATING OR MEMBRANE IS THE RESPONSIBILITY OF THE ARCHITECT OR ENGINEER OF RECORD.
- BUCKS SHALL EXTEND BEYOND WINDOW INTERIOR FACE SO THAT FULL FRAME SUPPORT IS PROVIDED.
- FOR FIN INSTALLATION SHIM AS NEEDED. FOR FRAME INSTALLATION SHIM AS REQUIRED AT EACH ANCHOR LOCATION WITH LOAD BEARING SHIM. SHIM WHERE SPACE OF 1/16" OR GREATER OCCURS. MAXIMUM ALLOWABLE SHIM STACK TO BE 1/4".
- SHIMS SHALL BE LOCATED, APPLIED AND MADE FROM MATERIALS AND THICKNESS CAPABLE OF SUSTAINING APPLICABLE LOADS.
- WIND LOAD DURATION FACTOR Cd=1.6 WAS USED FOR WOOD ANCHOR CALCULATIONS.
- FRAME MATERIAL: EXTRUDED RIGID PVC.
- UNITS MUST BE GLAZED PER ASTM E1300-04/09.
- APPROVED IMPACT PROTECTIVE SYSTEM IS REQUIRED FOR THIS PRODUCT IN WIND BORNE DEBRIS REGIONS.
- FOR ANCHORING THROUGH FIN INTO WOOD FRAMING OR 2X BUCK USE #10 WOOD SCREWS WITH SUFFICIENT LENGTH TO ACHIEVE A 1 1/4" MINIMUM EMBEDMENT INTO SUBSTRATE. LOCATE ANCHORS AS SHOWN IN ELEVATIONS AND INSTALLATION DETAILS.
- FOR ANCHORING INTO WOOD FRAMING OR 2X BUCK USE #10 WOOD SCREWS WITH SUFFICIENT LENGTH TO ACHIEVE A 1 1/4" MINIMUM EMBEDMENT INTO SUBSTRATE. LOCATE ANCHORS AS SHOWN IN ELEVATIONS AND INSTALLATION DETAILS.
- FOR ANCHORING INTO MASONRY/CONCRETE USE 3/16" TAPCONS WITH SUFFICIENT LENGTH TO ACHIEVE A 1 1/4" MINIMUM EMBEDMENT INTO SUBSTRATE WITH 2" MINIMUM EDGE DISTANCE. LOCATE ANCHORS AS SHOWN IN ELEVATIONS AND INSTALLATION DETAILS.
- FOR ANCHORING INTO METAL STRUCTURE USE #10 SMS OR SELF DRILLING SCREWS WITH SUFFICIENT LENGTH TO ACHIEVE 3 THREADS MINIMUM BEYOND STRUCTURE INTERIOR WALL. LOCATE ANCHORS AS SHOWN IN ELEVATIONS AND INSTALLATION DETAILS.
- ALL FASTENERS TO BE CORROSION RESISTANT.
- INSTALLATION ANCHORS SHALL BE INSTALLED IN ACCORDANCE WITH ANCHOR MANUFACTURER'S INSTALLATION INSTRUCTIONS AND ANCHORS SHALL NOT BE USED IN SUBSTRATES WITH STRENGTHS LESS THAN THE MINIMUM STRENGTH SPECIFIED BELOW:
  - WOOD - MINIMUM SPECIFIC GRAVITY OF G=0.42
  - CONCRETE - MINIMUM COMPRESSIVE STRENGTH OF 3,192 PSI.
  - MASONRY - STRENGTH CONFORMANCE TO ASTM C-90, GRADE N, TYPE 1 (OR GREATER).
  - METAL STRUCTURE: STEEL 18GA, 33KSI OR ALUMINUM 6063-T5 .048" THICK MINIMUM

SIGNED: 04/25/2018

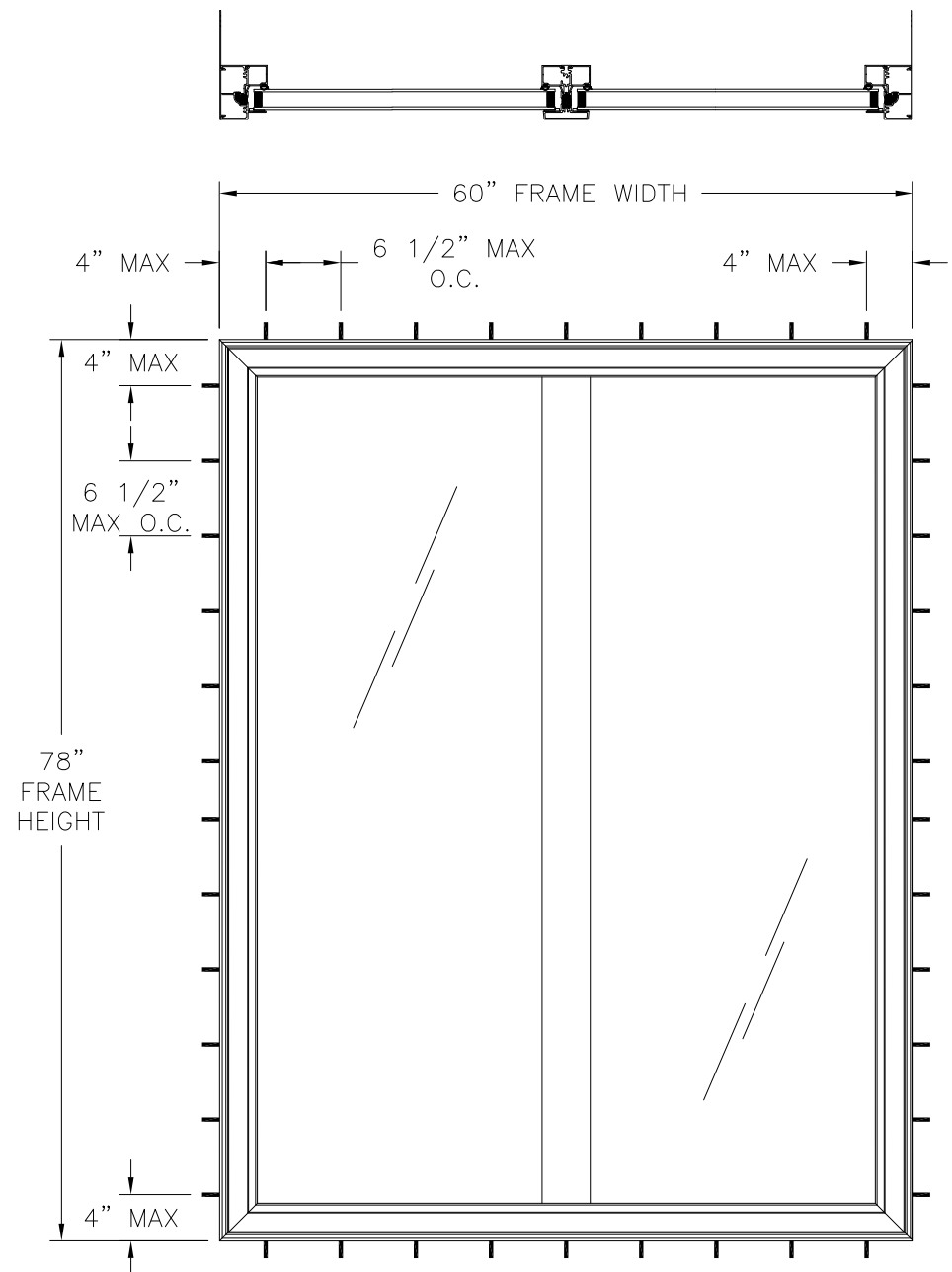
TABLE OF CONTENTS	
SHEET NO.	DESCRIPTION
1	NOTES
2	ELEVATIONS
3 - 6	INSTALLATION DETAILS
7	COMPONENTS

<b>WOJAN WINDOW &amp; DOOR CORPORATION</b> 217 STOVER ROAD CHARLEVOIX, MI 49270		
M85 2-WIDE ALUMINUM FIXED WINDOW 60" X 78" NON-IMPACT NOTES		
DRAWN: V.L.	DWG NO. 08-02427	REV B
SCALE NTS	DATE 07/31/14	SHEET 1 OF 7
L. ROBERTO LOMAS P.E. 1432 WOODFORD RD LEWISVILLE, NC 27023 434-688-0609 rllomas@rlomaspe.com		

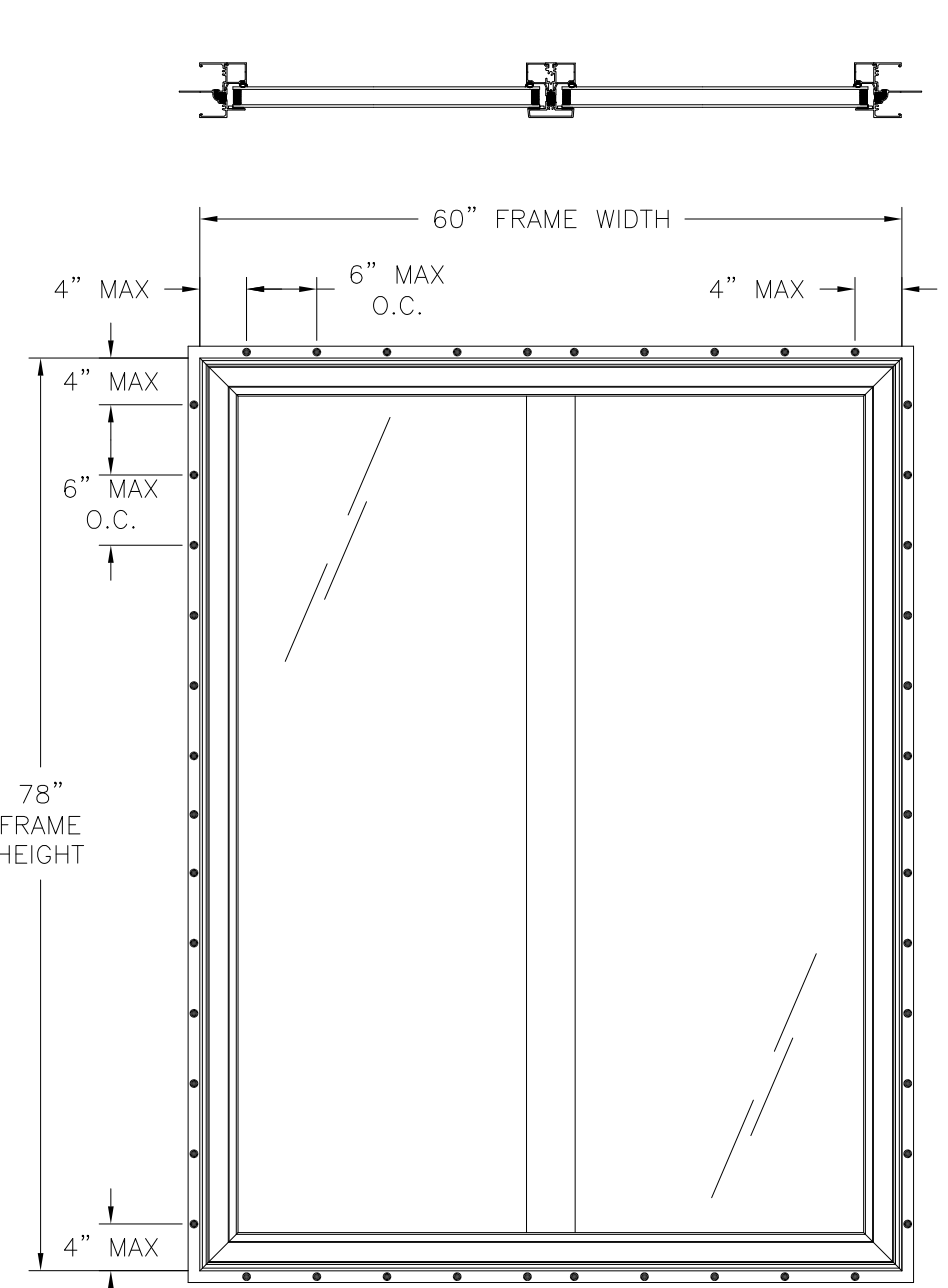


Luis R. Lomas P.E.  
FL No.: 62514

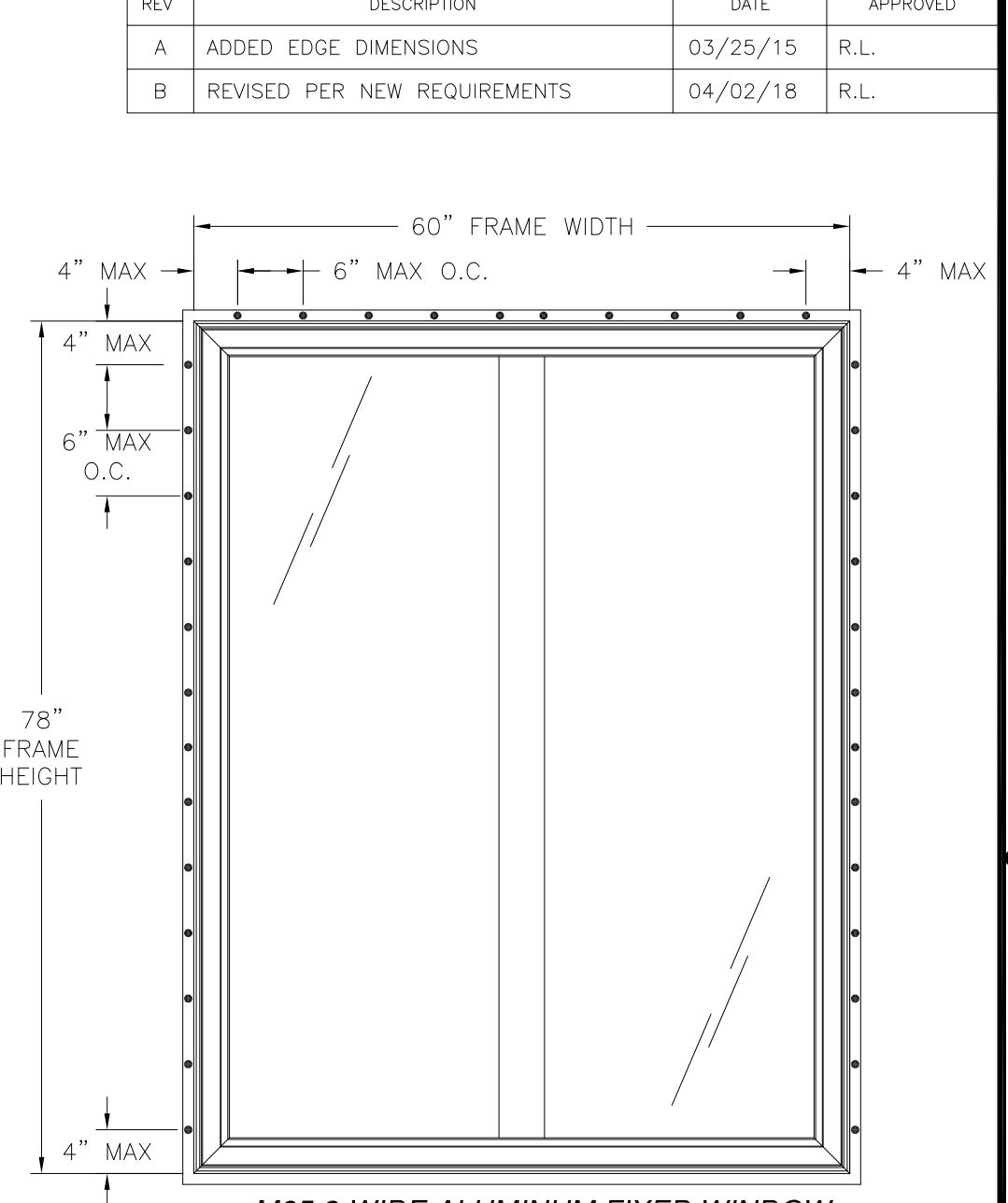
REVISIONS			
REV	DESCRIPTION	DATE	APPROVED
A	ADDED EDGE DIMENSIONS	03/25/15	R.L.
B	REVISED PER NEW REQUIREMENTS	04/02/18	R.L.



**M85 2-WIDE ALUMINUM FIXED WINDOW**  
EXTERIOR VIEW  
CLIP INSTALLATION



**M85 2-WIDE ALUMINUM FIXED WINDOW**  
EXTERIOR VIEW  
FIN INSTALLATION



**M85 2-WIDE ALUMINUM FIXED WINDOW**  
EXTERIOR VIEW  
FIN INSTALLATION NO ANCHORS AT SILL

SIGNED: 04/25/2018

DESIGN PRESSURE RATING	IMPACT RATING
±80.0PSF	NONE

60" X 78" UNIT SHOWN. OTHER SIZES APPROVED AS LONG AS FRAME AREA DOES NOT EXCEED 32.5 FT<sup>2</sup>

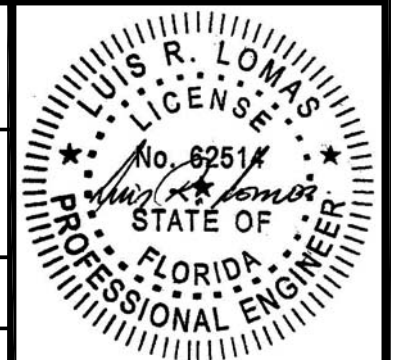
NOTES:  
1. D.L.O.: 26 1/2" X 73 1/2"

**WOJAN WINDOW & DOOR CORPORATION**  
217 STOVER ROAD  
CHARLEVOIX, MI 49270

M85 2-WIDE ALUMINUM FIXED WINDOW  
60" X 78" NON-IMPACT  
ELEVATIONS

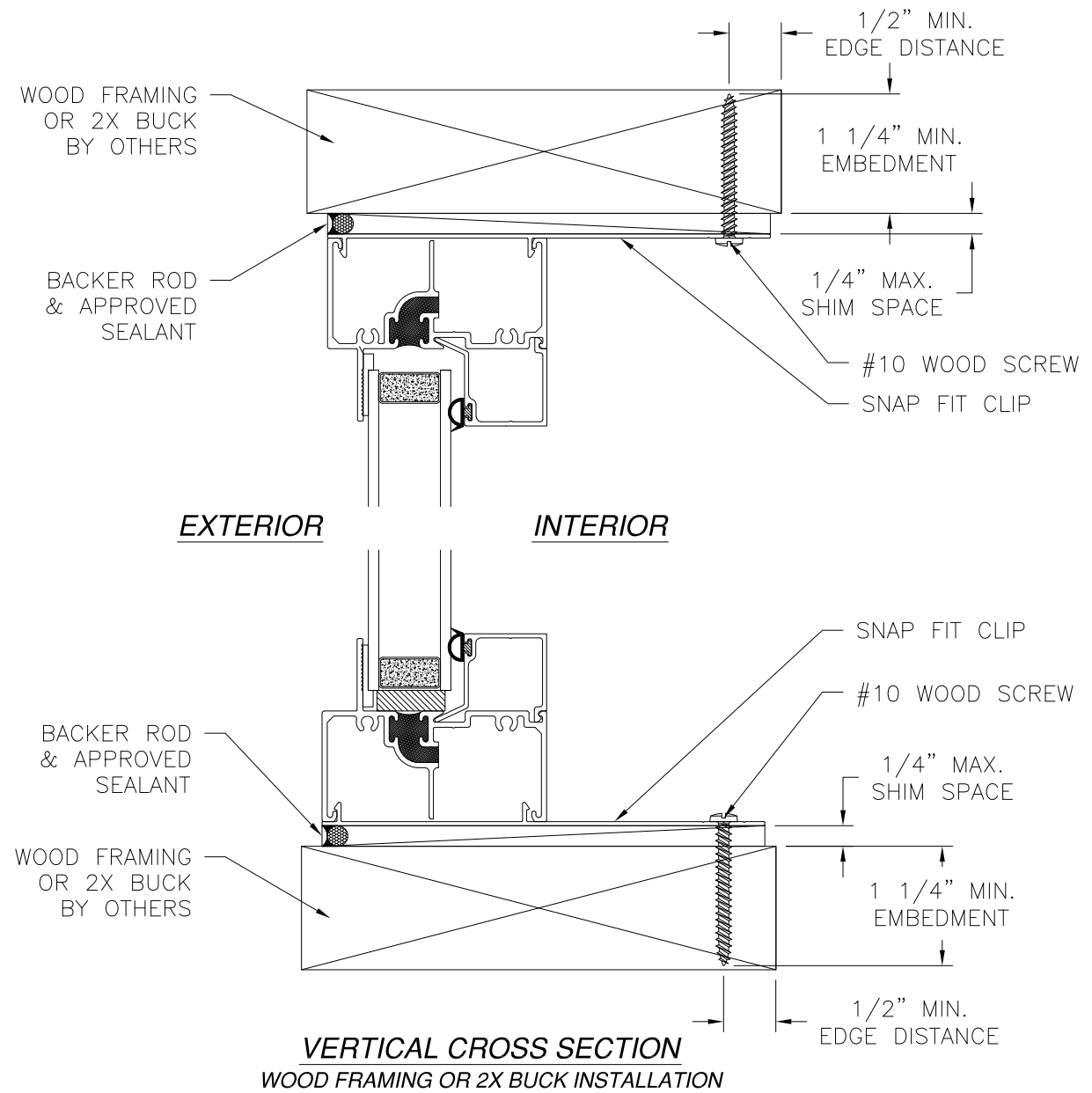
DRAWN: V.L.	DWG NO. 08-02427	REV B
SCALE NTS	DATE 07/31/14	SHEET 2 OF 7

L. ROBERTO LOMAS P.E.  
1432 WOODFORD RD LEWISVILLE, NC 27023  
434-688-0609 rllomas@rlomaspe.com

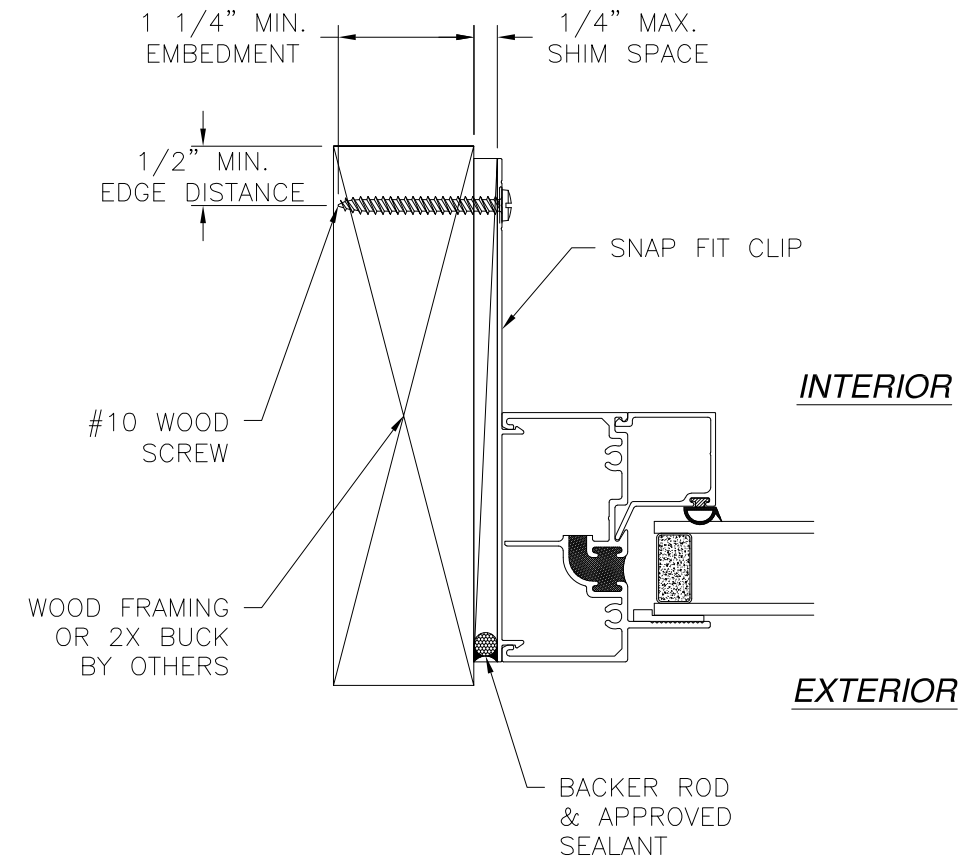


Luis R. Lomas P.E.  
FL No.: 62514

REVISIONS			
REV	DESCRIPTION	DATE	APPROVED
A	ADDED EDGE DIMENSIONS	03/25/15	R.L.
B	REVISED PER NEW REQUIREMENTS	04/02/18	R.L.



**VERTICAL CROSS SECTION**  
WOOD FRAMING OR 2X BUCK INSTALLATION



**JAMB INSTALLATION DETAIL**  
WOOD FRAMING OR 2X BUCK INSTALLATION

**NOTES:**  
 1. INTERIOR AND EXTERIOR FINISHES, BY OTHERS, NOT SHOWN FOR CLARITY.  
 2. PERIMETER AND JOINT SEALANT BY OTHERS TO BE DESIGNED IN ACCORDANCE WITH ASTM E2112

SIGNED: 04/25/2018

**WOJAN WINDOW & DOOR CORPORATION**  
 217 STOVER ROAD  
 CHARLEVOIX, MI 49270

M85 2-WIDE ALUMINUM FIXED WINDOW  
 60" X 78" NON-IMPACT  
 CLIP INSTALLATION DETAILS

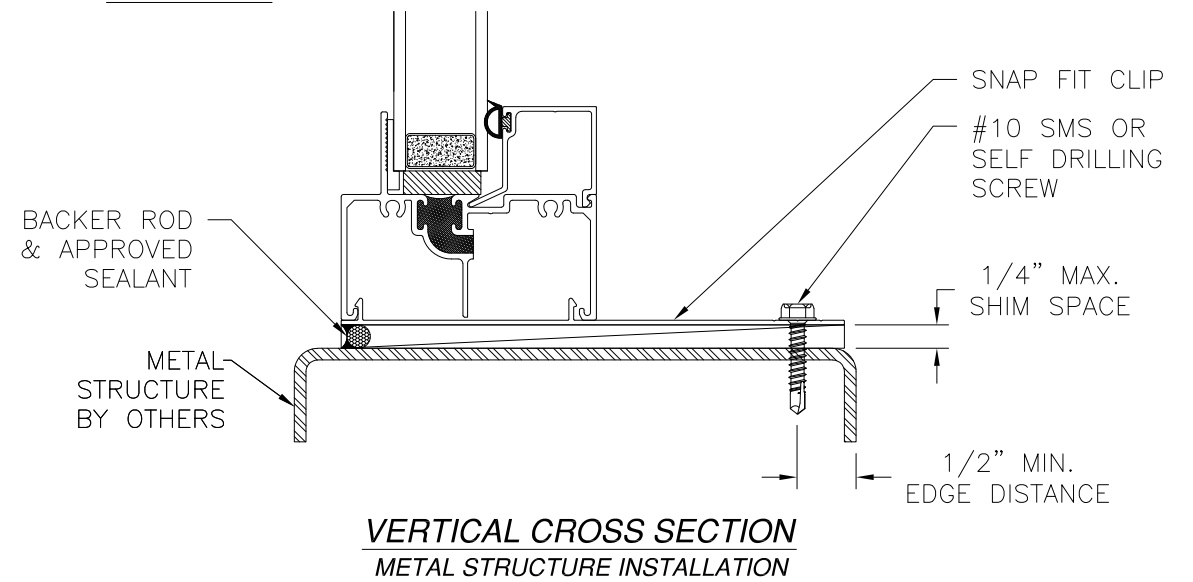
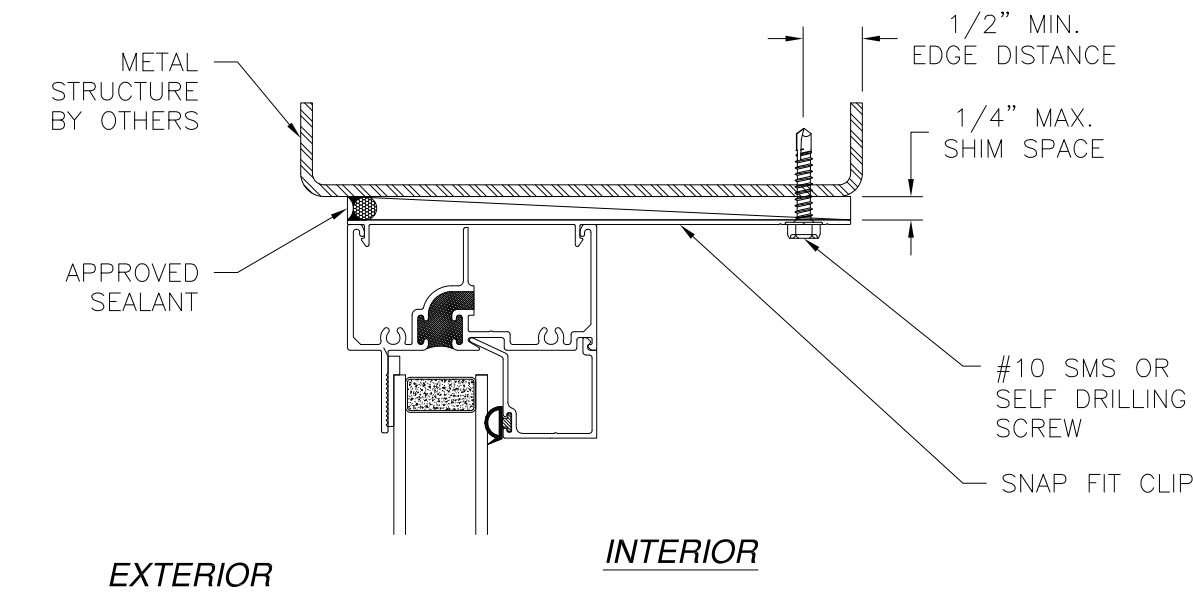
DRAWN: V.L.	DWG NO. 08-02427	REV B
SCALE NTS	DATE 07/31/14	SHEET 3 OF 7

L. ROBERTO LOMAS P.E.  
 1432 WOODFORD RD LEWISVILLE, NC 27023  
 434-688-0609 rllomas@rlomaspe.com

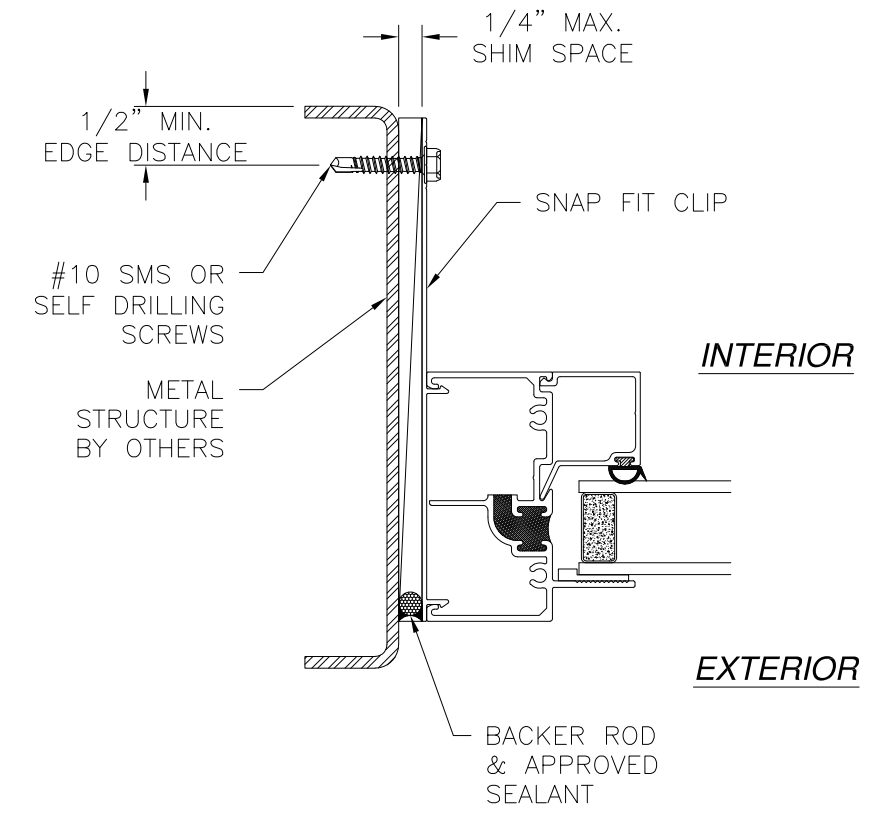


Luis R. Lomas P.E.  
 FL No.: 62514

REVISIONS			
REV	DESCRIPTION	DATE	APPROVED
A	ADDED EDGE DIMENSIONS	03/25/15	R.L.
B	REVISED PER NEW REQUIREMENTS	04/02/18	R.L.



**VERTICAL CROSS SECTION**  
METAL STRUCTURE INSTALLATION



**JAMB INSTALLATION DETAIL**  
METAL STRUCTURE INSTALLATION

**NOTES:**  
 1. INTERIOR AND EXTERIOR FINISHES, BY OTHERS, NOT SHOWN FOR CLARITY.  
 2. PERIMETER AND JOINT SEALANT BY OTHERS TO BE DESIGNED IN ACCORDANCE WITH ASTM E2112

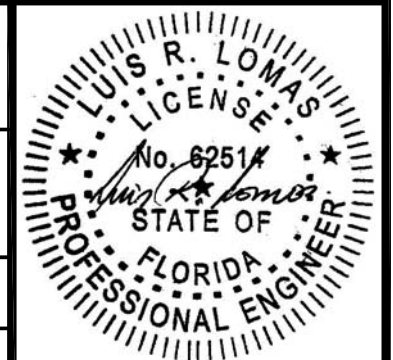
SIGNED: 04/25/2018

**WOJAN WINDOW & DOOR CORPORATION**  
 217 STOVER ROAD  
 CHARLEVOIX, MI 49270

M85 2-WIDE ALUMINUM FIXED WINDOW  
 60" X 78" NON-IMPACT  
 CLIP INSTALLATION DETAILS

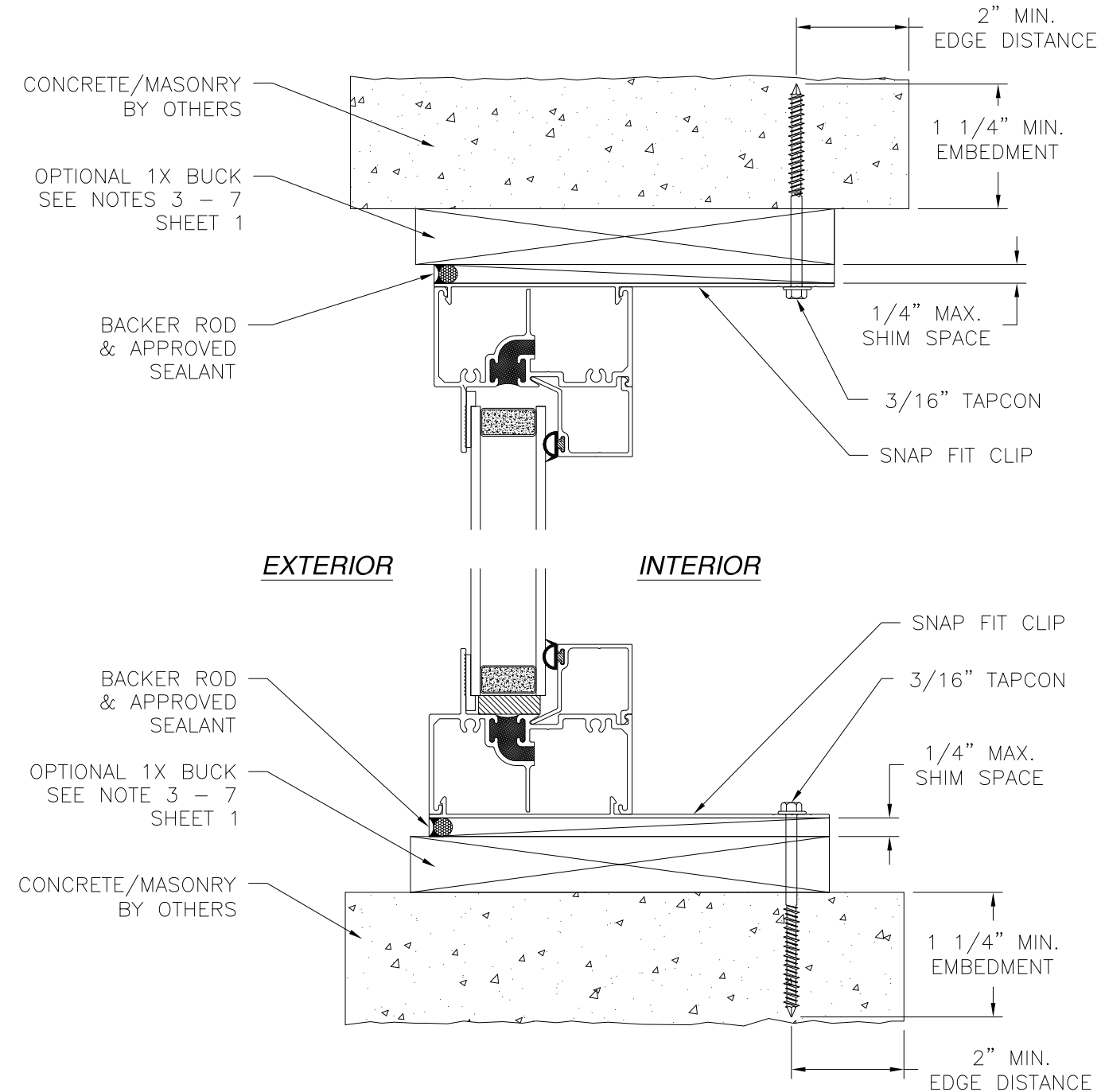
DRAWN: V.L.	DWG NO. 08-02427	REV B
SCALE NTS	DATE 07/31/14	SHEET 4 OF 7

L. ROBERTO LOMAS P.E.  
 1432 WOODFORD RD LEWISVILLE, NC 27023  
 434-688-0609 rllomas@rlomaspe.com

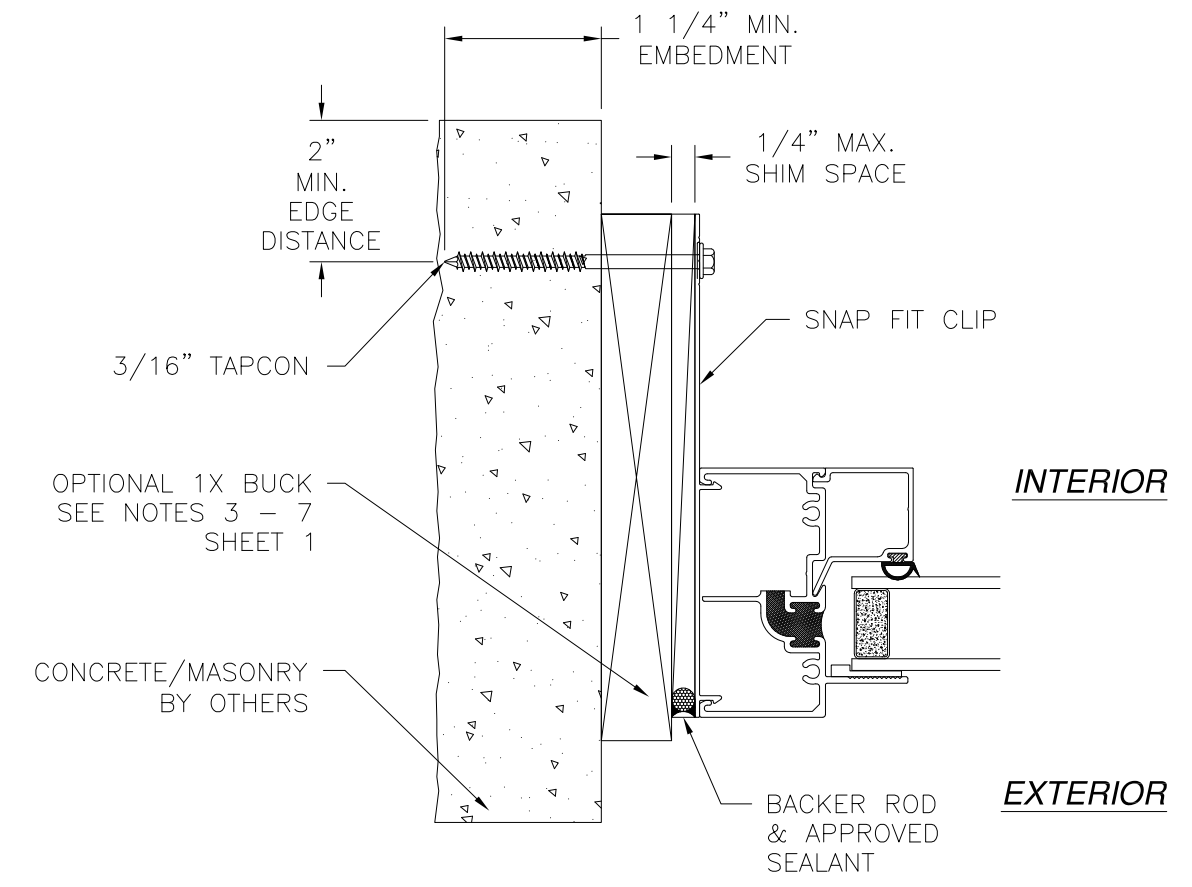


Luis R. Lomas P.E.  
 FL No.: 62514

REVISIONS			
REV	DESCRIPTION	DATE	APPROVED
A	ADDED EDGE DIMENSIONS	03/25/15	R.L.
B	REVISED PER NEW REQUIREMENTS	04/02/18	R.L.



**VERTICAL CROSS SECTION**  
CONCRETE/MASONRY INSTALLATION



**JAMB INSTALLATION DETAIL**  
CONCRETE/MASONRY INSTALLATION

- NOTES:**
1. INTERIOR AND EXTERIOR FINISHES, BY OTHERS, NOT SHOWN FOR CLARITY.
  2. PERIMETER AND JOINT SEALANT BY OTHERS TO BE DESIGNED IN ACCORDANCE WITH ASTM E2112

SIGNED: 04/25/2018

**WOJAN WINDOW & DOOR CORPORATION**  
217 STOVER ROAD  
CHARLEVOIX, MI 49270

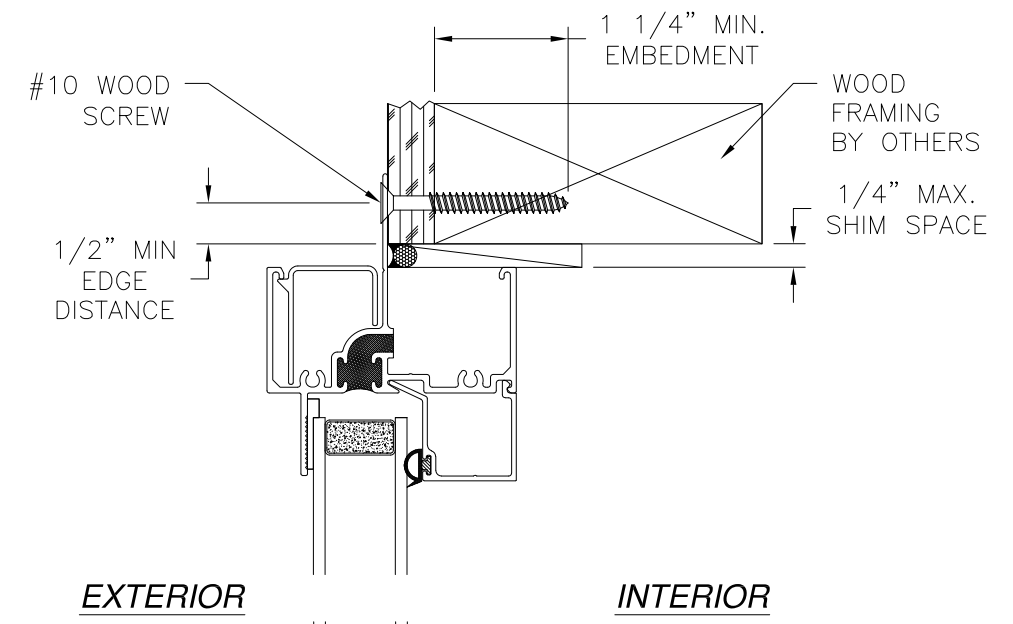
M85 2-WIDE ALUMINUM FIXED WINDOW  
60" X 78" NON-IMPACT  
CLIP INSTALLATION DETAILS

DRAWN: V.L.	DWG NO. 08-02427	REV B
SCALE NTS	DATE 07/31/14	SHEET 5 OF 7

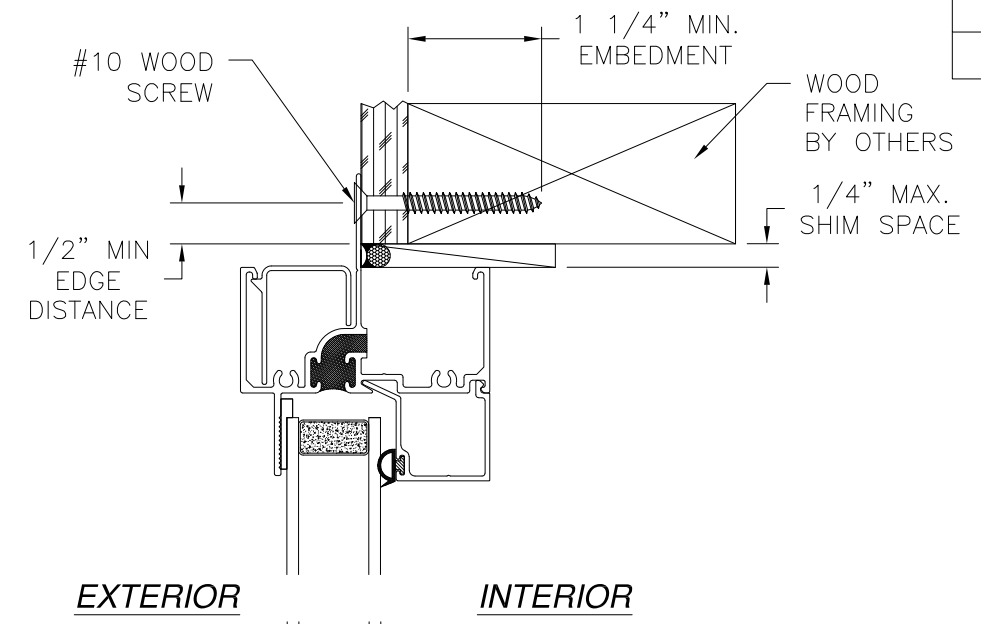
L. ROBERTO LOMAS P.E.  
1432 WOODFORD RD LEWISVILLE, NC 27023  
434-688-0609 rllomas@rlomaspe.com

Luis R. Lomas P.E.  
FL No.: 62514

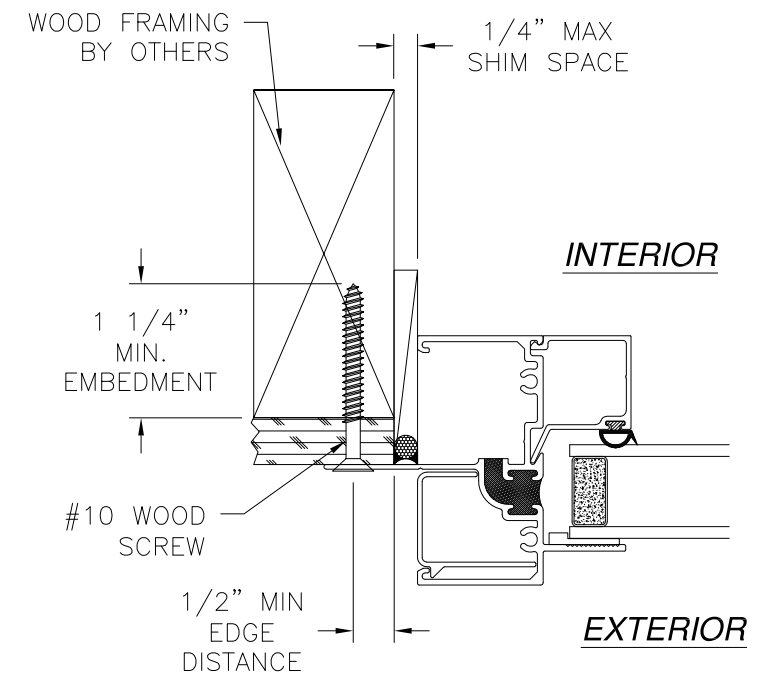
REVISIONS			
REV	DESCRIPTION	DATE	APPROVED
A	ADDED EDGE DIMENSIONS	03/25/15	R.L.
B	REVISED PER NEW REQUIREMENTS	04/02/18	R.L.



**VERTICAL CROSS SECTION**  
WOOD FRAMING OR 2X BUCK INSTALLATION



**VERTICAL CROSS SECTION**  
WOOD FRAMING OR 2X BUCK INSTALLATION  
FIN INSTALLATION WITH NO ANCHORS AT SILL



**JAMB INSTALLATION DETAIL**  
WOOD FRAMING OR 2X BUCK INSTALLATION

**NOTES:**  
1. INTERIOR AND EXTERIOR FINISHES, BY OTHERS, NOT SHOWN FOR CLARITY.  
2. PERIMETER AND JOINT SEALANT BY OTHERS TO BE DESIGNED IN ACCORDANCE WITH ASTM E2112

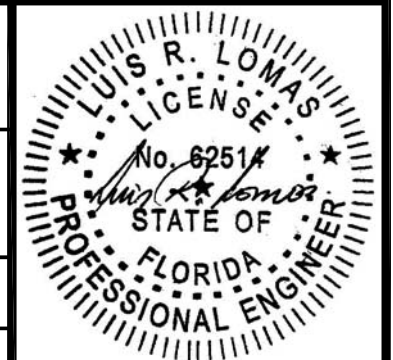
SIGNED: 04/25/2018

**WOJAN WINDOW & DOOR CORPORATION**  
217 STOVER ROAD  
CHARLEVOIX, MI 49270

M85 2-WIDE ALUMINUM FIXED WINDOW  
60" X 78" NON-IMPACT  
FIN INSTALLATION DETAILS

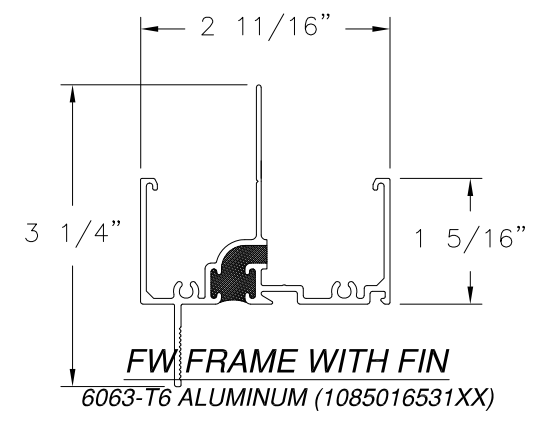
DRAWN: V.L.	DWG NO. 08-02427	REV B
SCALE NTS	DATE 07/31/14	SHEET 6 OF 7

L. ROBERTO LOMAS P.E.  
1432 WOODFORD RD LEWISVILLE, NC 27023  
434-688-0609 rllomas@rlomaspe.com



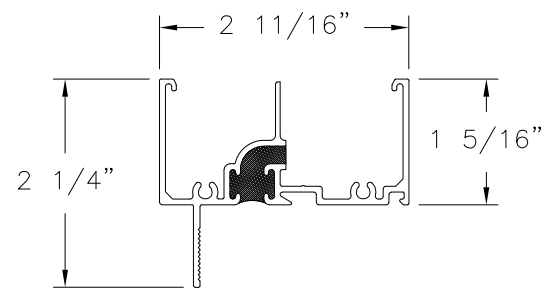
Luis R. Lomas P.E.  
FL No.: 62514

REVISIONS			
REV	DESCRIPTION	DATE	APPROVED
A	ADDED EDGE DIMENSIONS	03/25/15	R.L.
B	REVISED PER NEW REQUIREMENTS	04/02/18	R.L.

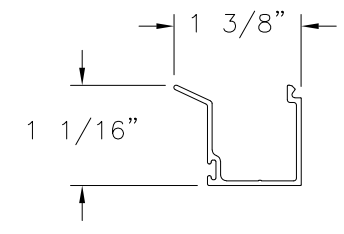


**FW FRAME WITH FIN**  
6063-T6 ALUMINUM (1085016531XX)

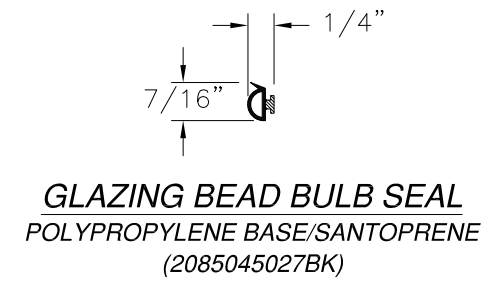
**FW FRAME WITH FIN**  
6063-T6 ALUMINUM (1085016531XX)



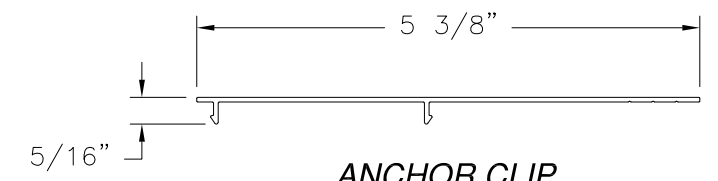
**FW FRAME WITHOUT FIN**  
6063-T6 ALUMINUM (1085016531XX)



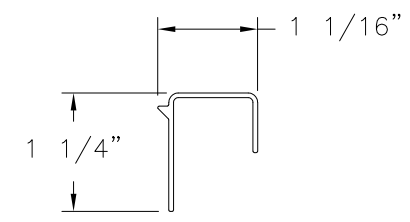
**FW GLAZING BEAD**  
6063-T6 ALUMINUM (1085016591XX)



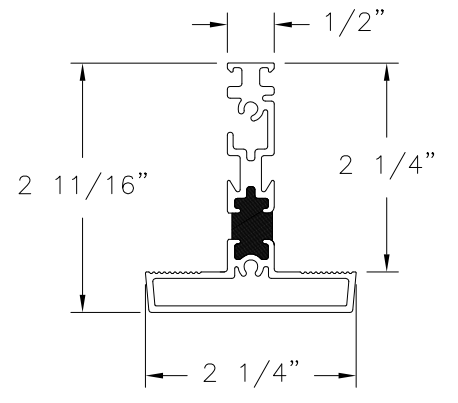
**GLAZING BEAD BULB SEAL**  
POLYPROPYLENE BASE/SANTOPRENE  
(2085045027BK)



**ANCHOR CLIP**  
6063-T6 ALUMINUM



**PW CAULK BACKER**  
6063-T6 ALUMINUM (20850066058BK)



**MULLION**  
6005-T5 ALUMINUM

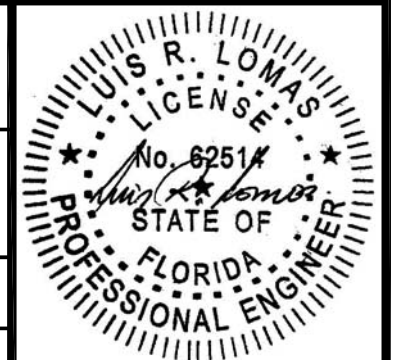
**WOJAN WINDOW & DOOR CORPORATION**  
217 STOVER ROAD  
CHARLEVOIX, MI 49270

M85 2-WIDE ALUMINUM FIXED WINDOW  
60" X 78" NON-IMPACT  
COMPONENTS

DRAWN: V.L.	DWG NO. 08-02427	REV B
SCALE NTS	DATE 07/31/14	SHEET 7 OF 7

L. ROBERTO LOMAS P.E.  
1432 WOODFORD RD LEWISVILLE, NC 27023  
434-688-0609 rllomas@rlomaspe.com

SIGNED: 04/25/2018



Luis R. Lomas P.E.  
FL No.: 62514