

| REVISIONS | | | |
|-----------|-------------|------|----------|
| REV | DESCRIPTION | DATE | APPROVED |

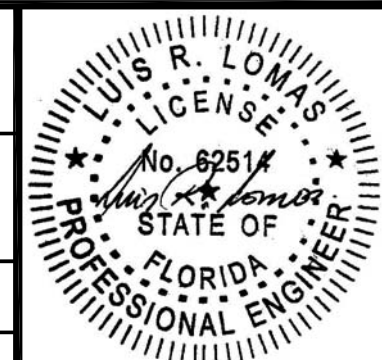
NOTES:

1. THE PRODUCT SHOWN HEREIN IS DESIGNED AND MANUFACTURED TO COMPLY WITH REQUIREMENTS OF THE FLORIDA BUILDING CODE.
2. WOOD FRAMING AND MASONRY OPENING TO BE DESIGNED AND ANCHORED TO PROPERLY TRANSFER ALL LOADS TO STRUCTURE. FRAMING AND MASONRY OPENING IS THE RESPONSIBILITY OF THE ARCHITECT OR ENGINEER OF RECORD.
3. 1X BUCK OVER MASONRY/CONCRETE IS OPTIONAL.
4. WHERE SHIM OR BUCK THICKNESS IS LESS THAN 1-1/2" WINDOW UNITS MUST BE ANCHORED THROUGH THE FRAME IN ACCORDANCE WITH MANUFACTURER'S PUBLISHED INSTALLATION INSTRUCTIONS. ANCHORS SHALL BE SECURELY FASTENED DIRECTLY INTO MASONRY, CONCRETE OR OTHER STRUCTURAL SUBSTRATE MATERIAL.
5. WHERE WOOD BUCK THICKNESS IS 1-1/2" OR GREATER, BUCK SHALL BE SECURELY FASTENED TO MASONRY, CONCRETE OR OTHER STRUCTURAL SUBSTRATE. WINDOW UNITS MAY BE ANCHORED THROUGH FRAME TO SECURED WOOD BUCK IN ACCORDANCE WITH MANUFACTURER'S PUBLISHED INSTALLATION INSTRUCTIONS.
6. WHERE 1X BUCK IS NOT USED DISSIMILAR MATERIALS MUST BE SEPARATED WITH APPROVED COATING OR MEMBRANE. SELECTION OF COATING OR MEMBRANE IS THE RESPONSIBILITY OF THE ARCHITECT OR ENGINEER OF RECORD.
7. BUCKS SHALL EXTEND BEYOND WINDOW INTERIOR FACE SO THAT FULL FRAME SUPPORT IS PROVIDED.
8. SHIM AS REQUIRED AT EACH ANCHOR LOCATION WITH LOAD BEARING SHIM. SHIM WHERE SPACE OF 1/16" OR GREATER OCCURS. MAXIMUM ALLOWABLE SHIM STACK TO BE 1/4".
9. SHIMS SHALL BE LOCATED, APPLIED AND MADE FROM MATERIALS AND THICKNESS CAPABLE OF SUSTAINING APPLICABLE LOADS.
10. WIND LOAD DURATION FACTOR Cd=1.6 WAS USED FOR WOOD ANCHOR CALCULATIONS.
11. FRAME MATERIAL: ALUMINUM 6063-T6.
12. UNITS MUST BE GLAZED PER ASTM E1300.
13. APPROVED IMPACT PROTECTIVE SYSTEM IS REQUIRED FOR THIS PRODUCT IN WIND BORNE DEBRIS REGIONS.
14. FOR ANCHORING INTO WOOD FRAMING OR 2X BUCK USE #10 WOOD SCREWS WITH SUFFICIENT LENGTH TO ACHIEVE A 1 1/4" MINIMUM EMBEDMENT INTO SUBSTRATE. LOCATE ANCHORS AS SHOWN IN ELEVATIONS AND INSTALLATION DETAILS.
15. FOR ANCHORING INTO MASONRY/CONCRETE USE 3/16" TAPCONS WITH SUFFICIENT LENGTH TO ACHIEVE A 1 1/4" MINIMUM EMBEDMENT INTO SUBSTRATE WITH 2" MINIMUM EDGE DISTANCE. LOCATE ANCHORS AS SHOWN IN ELEVATIONS AND INSTALLATION DETAILS.
16. FOR ANCHORING INTO METAL STRUCTURE USE #10 SMS OR SELF DRILLING SCREWS WITH SUFFICIENT LENGTH TO ACHIEVE 3 THREADS MINIMUM BEYOND STRUCTURE INTERIOR WALL. LOCATE ANCHORS AS SHOWN IN ELEVATIONS AND INSTALLATION DETAILS.
17. ALL FASTENERS TO BE CORROSION RESISTANT.
18. INSTALLATION ANCHORS SHALL BE INSTALLED IN ACCORDANCE WITH ANCHOR MANUFACTURER'S INSTALLATION INSTRUCTIONS AND ANCHORS SHALL NOT BE USED IN SUBSTRATES WITH STRENGTHS LESS THAN THE MINIMUM STRENGTH SPECIFIED BELOW:
 - A. WOOD - MINIMUM SPECIFIC GRAVITY OF G=0.42
 - B. CONCRETE - MINIMUM COMPRESSIVE STRENGTH OF 3,192 PSI.
 - C. MASONRY - STRENGTH CONFORMANCE TO ASTM C-90, GRADE N, TYPE 1 (OR GREATER).
 - D. METAL STRUCTURE: STEEL 18GA, 33KSI OR ALUMINUM 6063-T5 .125" THICK MINIMUM
19. APPROVED CONFIGURATIONS: OX, XO.

SIGNED: 04/05/2021

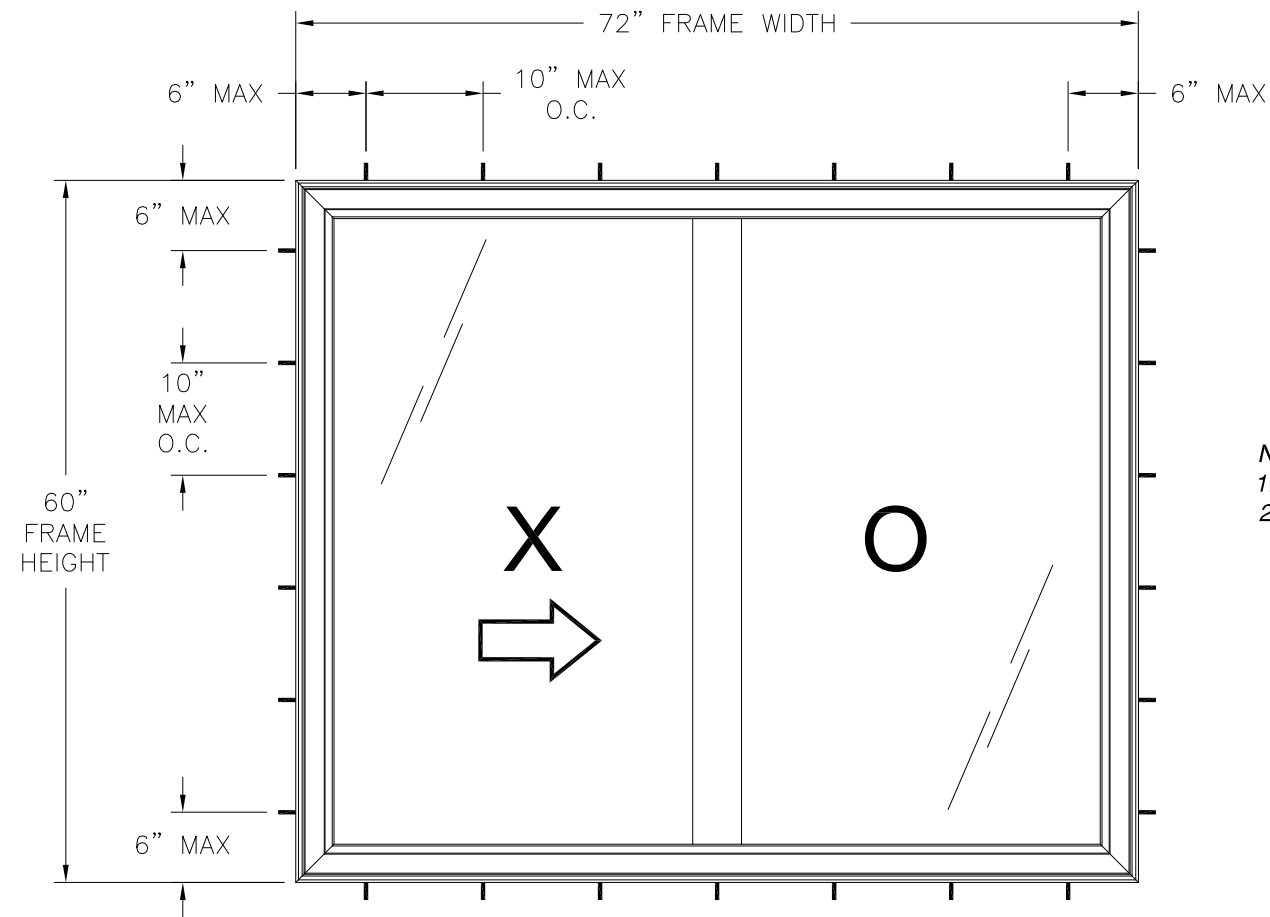
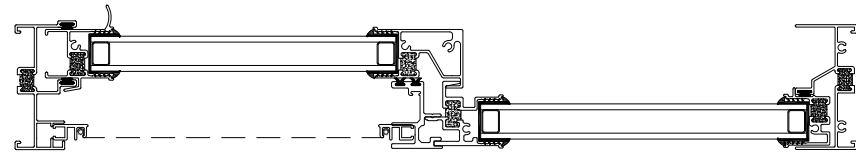
| TABLE OF CONTENTS | |
|-------------------|----------------------|
| SHEET NO. | DESCRIPTION |
| 1 | NOTES |
| 2 | ELEVATION |
| 3 - 5 | INSTALLATION DETAILS |
| 6 | COMPONENTS |

| | | |
|---|---------------------|-----------------|
| WOJAN WINDOW & DOOR CORPORATION 217 STOVER ROAD CHARLEVOIX, MI 49270 | | |
| SERIES M85 SV ALUMINUM HORIZONTAL SLIDING WINDOW 72" X 60" NON-IMPACT NOTES | | |
| DRAWN: A.R. | DWG NO. 08-03698 | REV - |
| SCALE NTS | DATE 03/30/2021 | SHEET 1 OF 6 |
| L. ROBERTO LOMAS P.E. 1432 WOODFORD RD LEWISVILLE, NC 27023 434-688-0609 rllomas@rlomaspe.com | | |



Luis R. Lomas P.E.
FL No.: 62514

| REVISIONS | | | |
|-----------|-------------|------|----------|
| REV | DESCRIPTION | DATE | APPROVED |
| | | | |



- NOTES:
- SASH SIZE: 36 1/8" X 56 1/2"
 - D.L.O.: 32 3/4" X 53 3/8"

M85 SV ALUMINUM HORIZONTAL SLIDING WINDOW
EXTERIOR VIEW

| DESIGN PRESSURE RATING | IMPACT RATING |
|------------------------|---------------|
| ±50.0PSF | NONE |

72" X 60" UNIT SHOWN. OTHER SIZES APPROVED AS LONG AS FRAME AREA DOES NOT EXCEED 30.0 FT²

HARDWARE SCHEDULE

| | |
|----|---|
| A. | (2) ROLLER AT SASH BOTTOM RAIL, 2" FROM ENDS |
| B. | (2) PLASTIC END PLUG AT SASH TOP AND BOTTOM RAIL AT MEETING RAIL CORNER |
| C. | (2) SWEEP LOCK, 18" FROM ENDS OF MEETING RAIL |
| D. | (2) ANTI TAKE-OUT CLIP AT OPERABLE SIDE HEAD AT INTERIOR TRACK |
| E. | (1) 5 1/2" LONG SASH STOP AT INTERIOR TRACK AT FIXED SIDE JAMB |

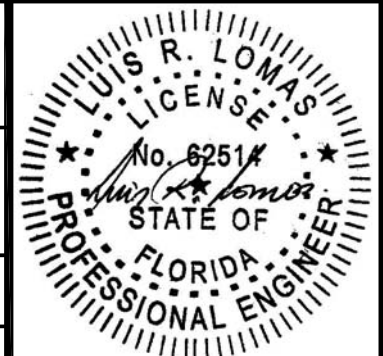
SIGNED: 04/05/2021

WOJAN WINDOW & DOOR CORPORATION
217 STOVER ROAD
CHARLEVOIX, MI 49270

SERIES M85 SV ALUMINUM HORIZONTAL SLIDING WINDOW 72" X 60" NON-IMPACT ELEVATIONS

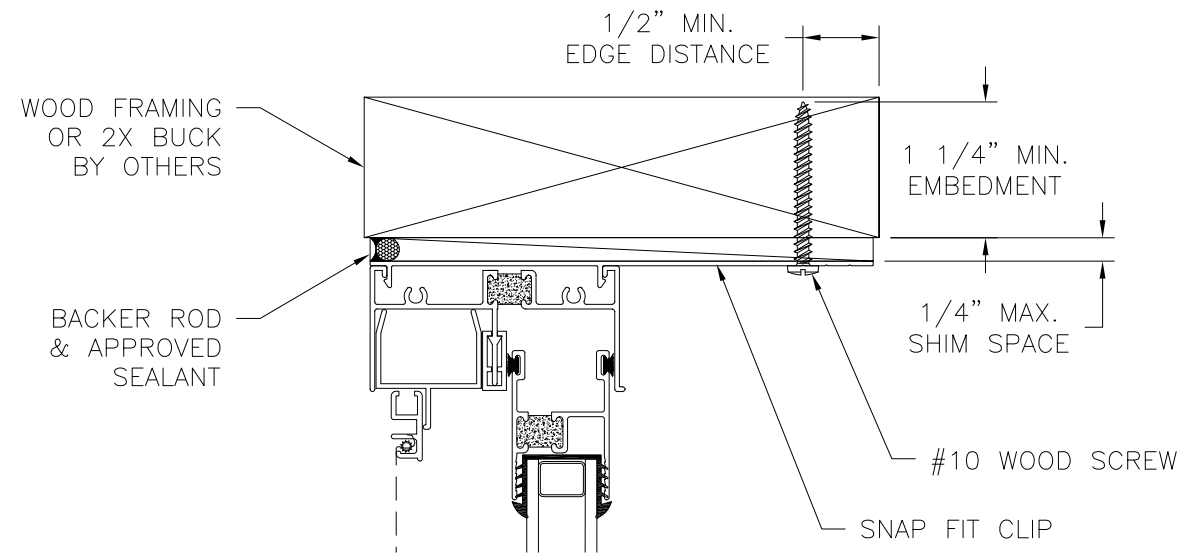
| | | |
|----------------|---------------------|--------------|
| DRAWN: A.R. | DWG NO. 08-03698 | REV - |
| SCALE NTS | DATE 03/30/2021 | SHEET 2 OF 6 |

L. ROBERTO LOMAS P.E.
1432 WOODFORD RD LEWISVILLE, NC 27023
434-688-0609 rllomas@rlomaspe.com

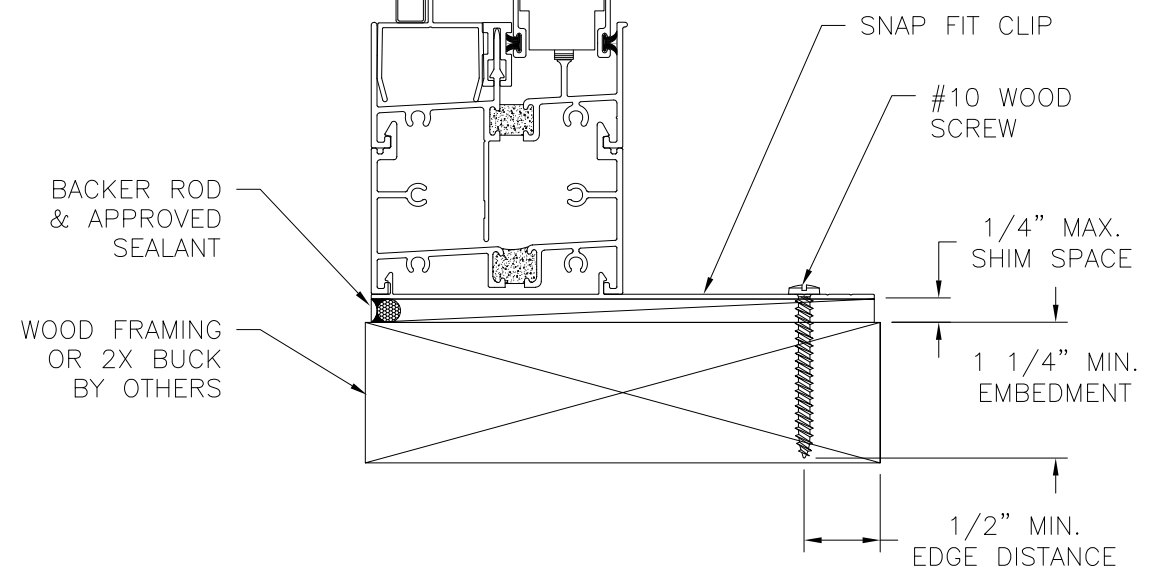


Luis R. Lomas P.E.
FL No.: 62514

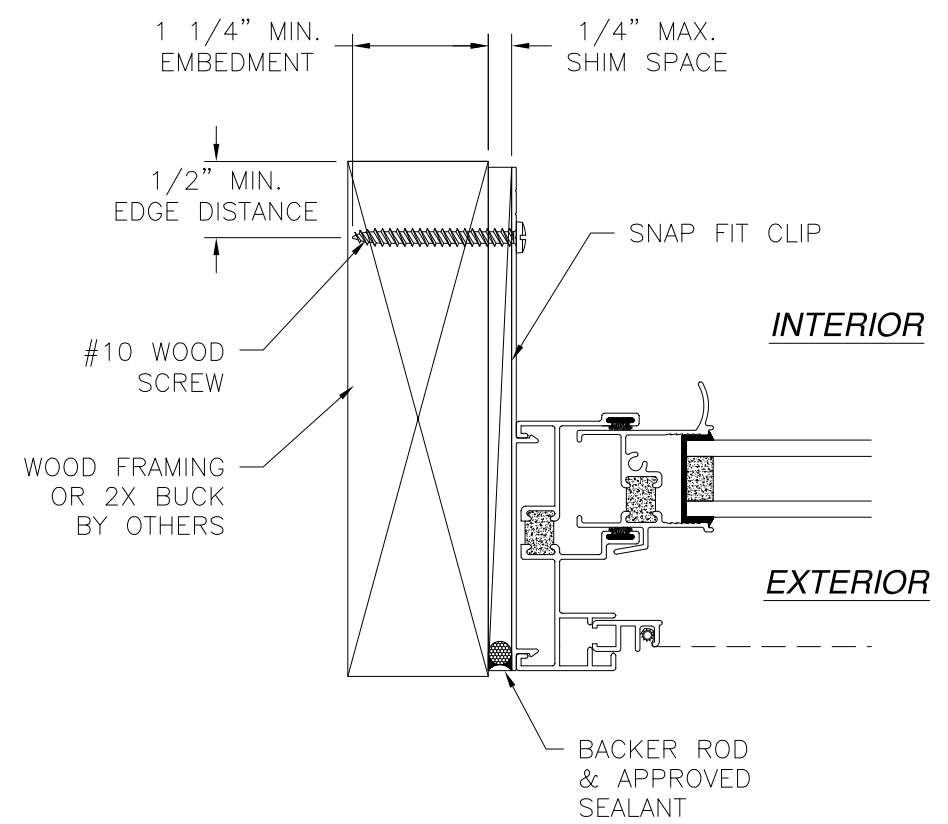
| REVISIONS | | | |
|-----------|-------------|------|----------|
| REV | DESCRIPTION | DATE | APPROVED |
| | | | |



EXTERIOR **INTERIOR**



VERTICAL CROSS SECTION
WOOD FRAMING OR 2X BUCK INSTALLATION



JAMB INSTALLATION DETAIL
WOOD FRAMING OR 2X BUCK INSTALLATION

NOTES:
1. INTERIOR AND EXTERIOR FINISHES, BY OTHERS, NOT SHOWN FOR CLARITY.
2. PERIMETER AND JOINT SEALANT BY OTHERS TO BE DESIGNED IN ACCORDANCE WITH ASTM E2112

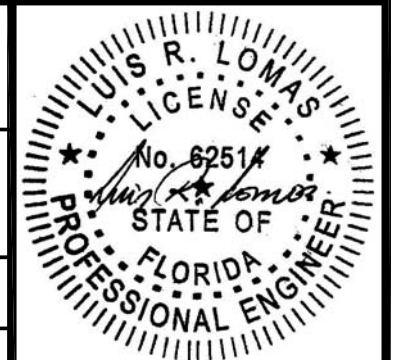
SIGNED: 04/05/2021

WOJAN WINDOW & DOOR CORPORATION
217 STOVER ROAD
CHARLEVOIX, MI 49270

SERIES M85 SV ALUMINUM HORIZONTAL SLIDING WINDOW 72" X 60" NON-IMPACT CLIP INSTALLATION DETAILS

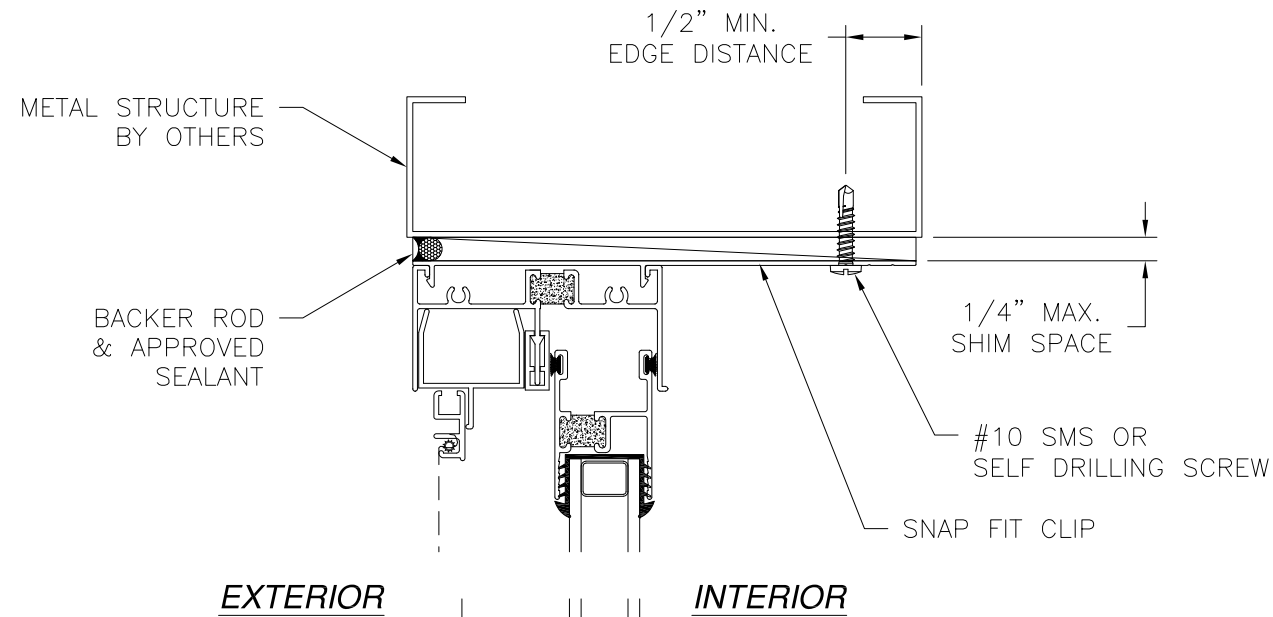
| | | |
|----------------|---------------------|-----------------|
| DRAWN: A.R. | DWG NO. 08-03698 | REV - |
| SCALE NTS | DATE 03/30/2021 | SHEET 3 OF 6 |

L. ROBERTO LOMAS P.E.
1432 WOODFORD RD LEWISVILLE, NC 27023
434-688-0609 rllomas@rlomaspe.com



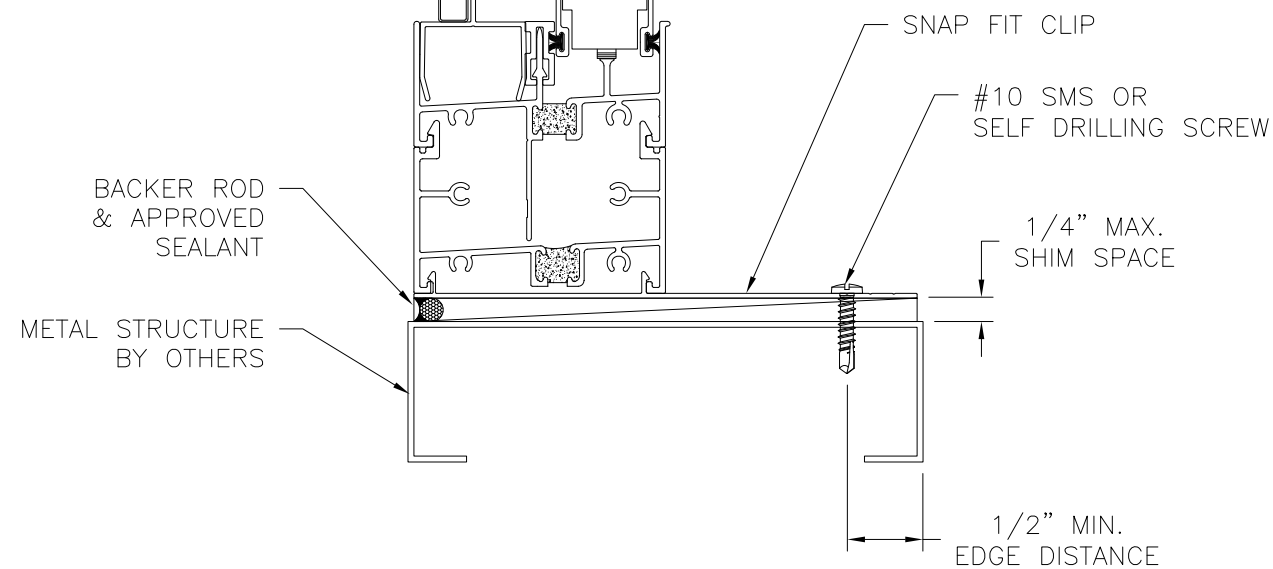
Luis R. Lomas P.E.
FL No.: 62514

| REVISIONS | | | |
|-----------|-------------|------|----------|
| REV | DESCRIPTION | DATE | APPROVED |
| | | | |

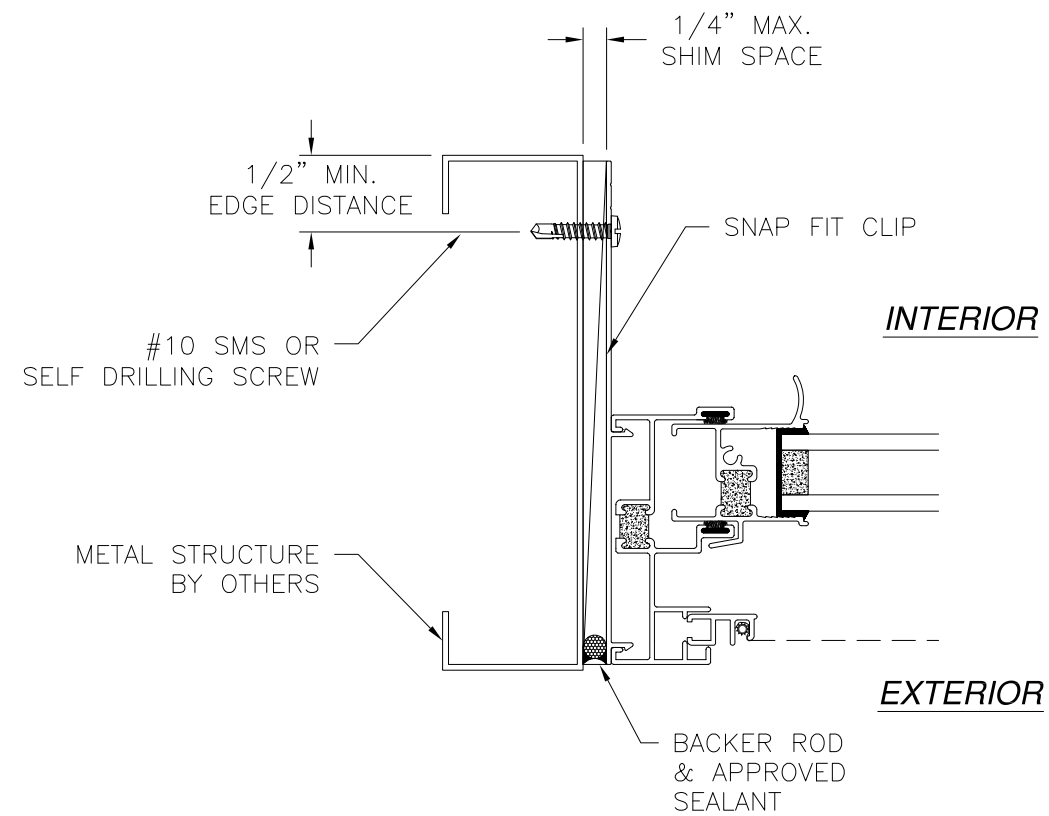


EXTERIOR

INTERIOR



VERTICAL CROSS SECTION
METAL STRUCTURE INSTALLATION



JAMB INSTALLATION DETAIL
METAL STRUCTURE INSTALLATION

- NOTES:**
1. INTERIOR AND EXTERIOR FINISHES, BY OTHERS, NOT SHOWN FOR CLARITY.
 2. PERIMETER AND JOINT SEALANT BY OTHERS TO BE DESIGNED IN ACCORDANCE WITH ASTM E2112

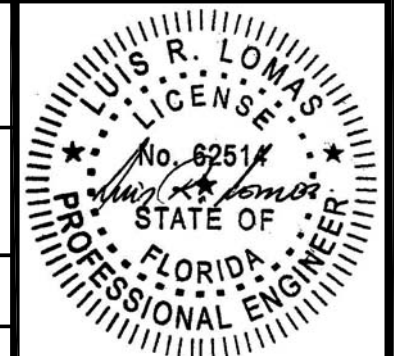
WOJAN WINDOW & DOOR CORPORATION
217 STOVER ROAD
CHARLEVOIX, MI 49270

SERIES M85 SV ALUMINUM HORIZONTAL SLIDING WINDOW 72" X 60" NON-IMPACT CLIP INSTALLATION DETAILS

| | | |
|----------------|---------------------|-----------------|
| DRAWN: A.R. | DWG NO. 08-03698 | REV - |
| SCALE NTS | DATE 03/30/2021 | SHEET 4 OF 6 |

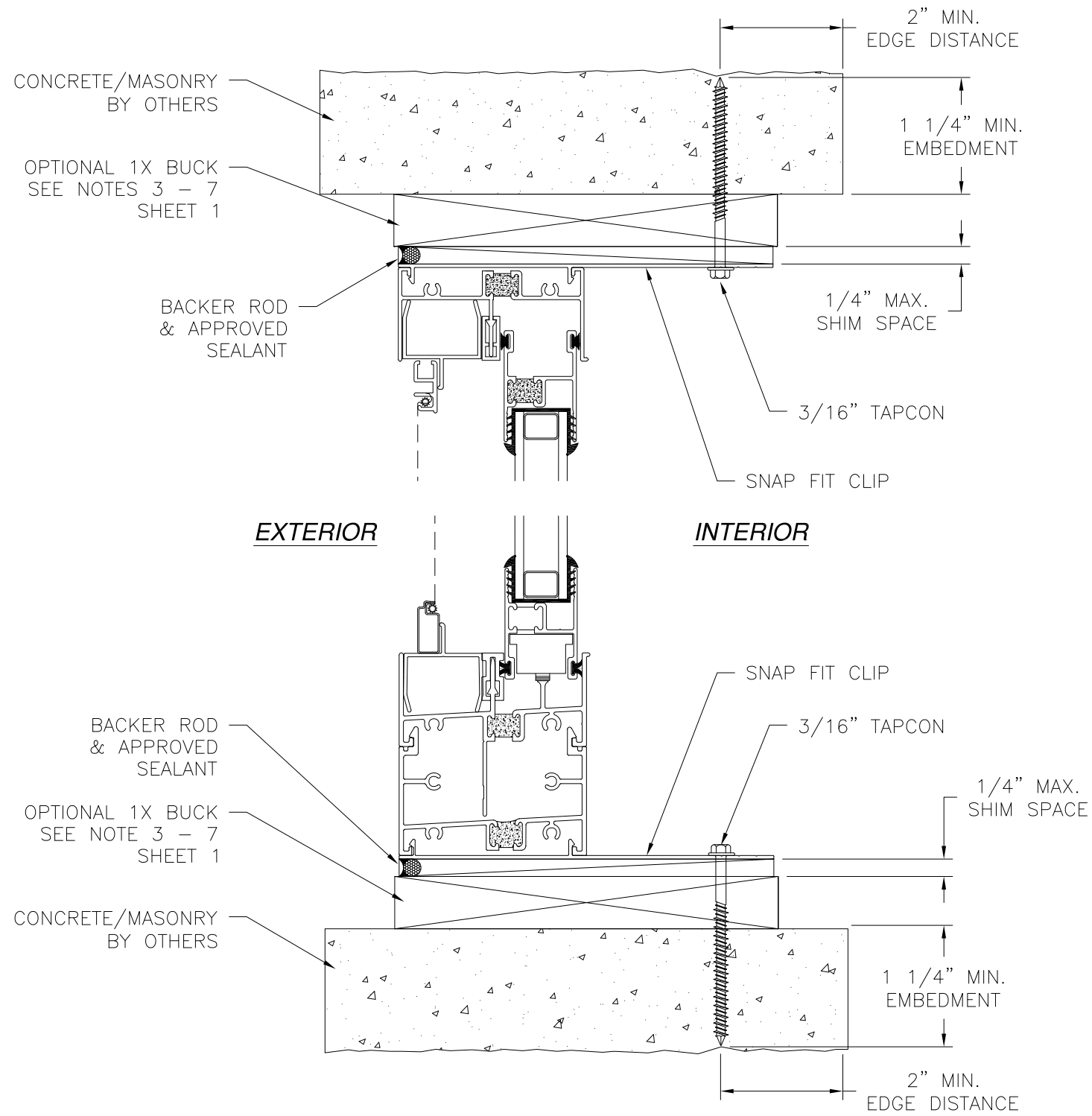
L. ROBERTO LOMAS P.E.
1432 WOODFORD RD LEWISVILLE, NC 27023
434-688-0609 rllomas@lrlomaspe.com

SIGNED: 04/05/2021

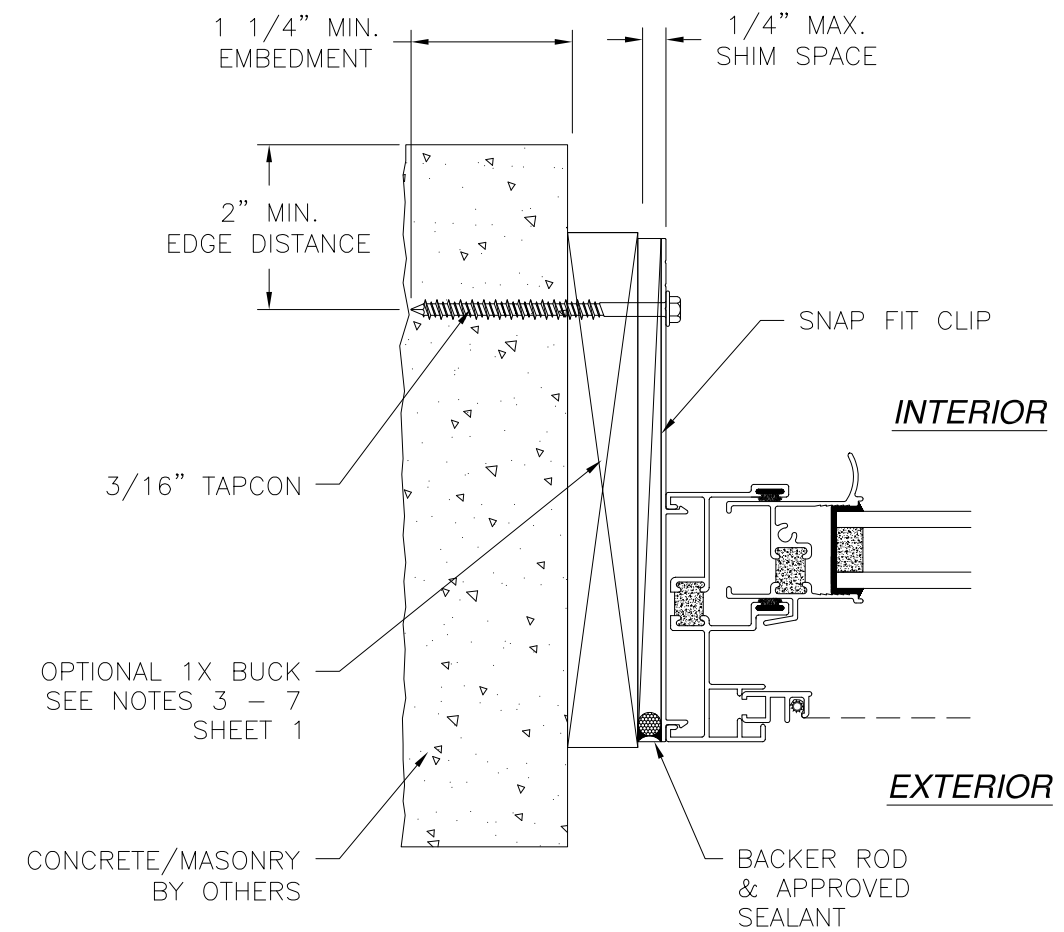


Luis R. Lomas P.E.
FL No.: 62514

| REVISIONS | | | |
|-----------|-------------|------|----------|
| REV | DESCRIPTION | DATE | APPROVED |
| | | | |



VERTICAL CROSS SECTION
CONCRETE/MASONRY INSTALLATION

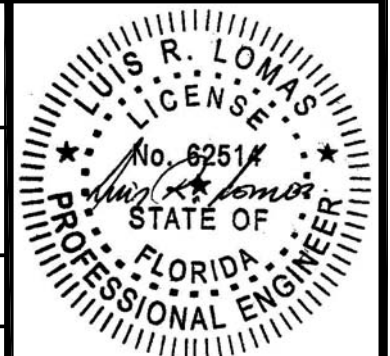


JAMB INSTALLATION DETAIL
CONCRETE/MASONRY INSTALLATION

- NOTES:**
1. INTERIOR AND EXTERIOR FINISHES, BY OTHERS, NOT SHOWN FOR CLARITY.
 2. PERIMETER AND JOINT SEALANT BY OTHERS TO BE DESIGNED IN ACCORDANCE WITH ASTM E2112

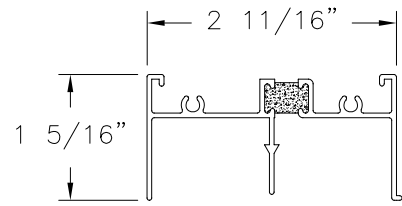
SIGNED: 04/05/2021

| | | |
|---|---------------------|-----------------|
| WOJAN WINDOW & DOOR CORPORATION 217 STOVER ROAD CHARLEVOIX, MI 49270 | | |
| SERIES M85 SV ALUMINUM HORIZONTAL SLIDING WINDOW 72" X 60" NON-IMPACT CLIP INSTALLATION DETAILS | | |
| DRAWN: A.R. | DWG NO. 08-03698 | REV - |
| SCALE NTS | DATE 03/30/2021 | SHEET 5 OF 6 |
| L. ROBERTO LOMAS P.E. 1432 WOODFORD RD LEWISVILLE, NC 27023 434-688-0609 rllomas@rlomaspe.com | | |

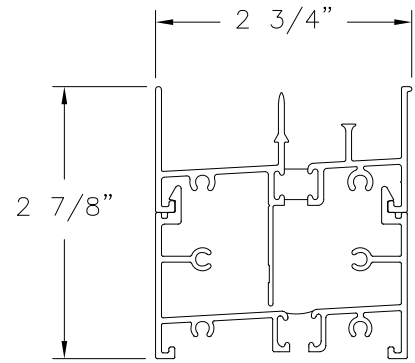


Luis R. Lomas P.E.
FL No.: 62514

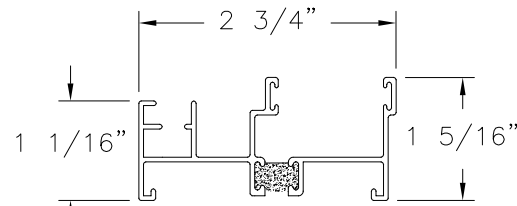
| REVISIONS | | | |
|-----------|-------------|------|----------|
| REV | DESCRIPTION | DATE | APPROVED |
| | | | |



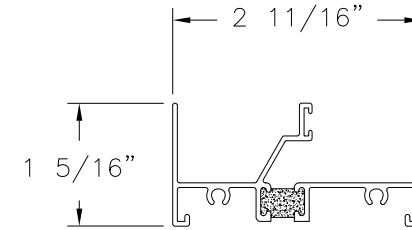
HEAD
6063-T6 ALUMINUM (1085016009XX)



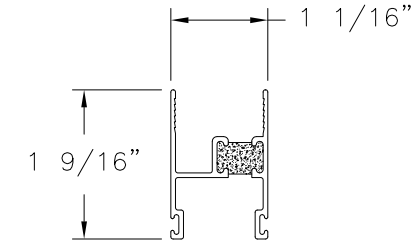
SILL
6063-T6 ALUMINUM (1085016010XX)



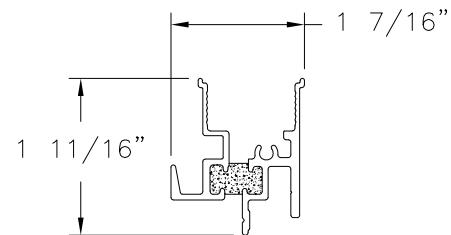
ACTIVE JAMB
6063-T6 ALUMINUM (1085016011XX)



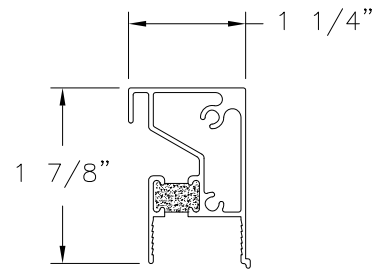
FIXED JAMB
6063-T6 ALUMINUM



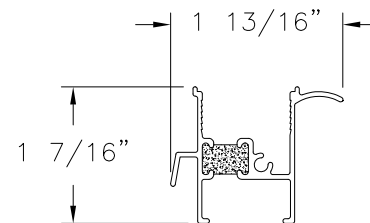
ACTIVE SASH RAIL
6063-T6 ALUMINUM (1085016014XX)



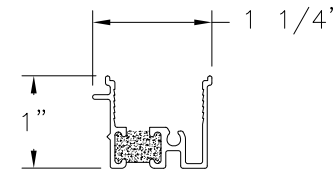
FIXED CENTER RAIL
6063-T6 ALUMINUM (1085016513XX)



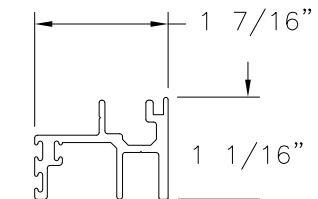
ACTIVE SASH LOCK RAIL
6063-T6 ALUMINUM (1085016016XX)



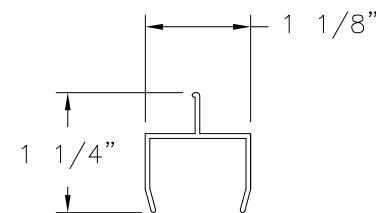
SASH PULL RAIL
6063-T6 ALUMINUM (1085016517XX)



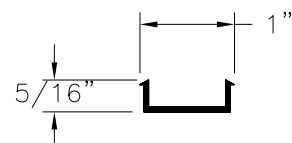
FIXED SASH END RAIL
6063-T6 ALUMINUM (1085016012XX)



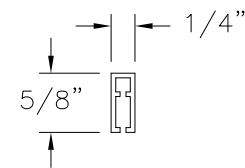
M85 MULLION BAR
6063-T6 ALUMINUM (1085016015XX)



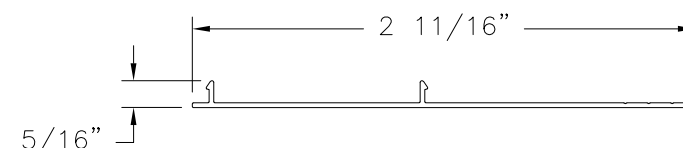
SCREEN ADAPTER
6063-T6 ALUMINUM (1085016206XX)



GLAZING VINYL
SOFT DUROMETER PVC



FROST BARRIER
RIGID PVC



STRAP ANCHOR
6063-T6 ALUMINUM

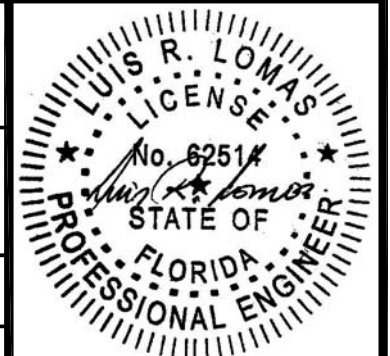
SIGNED: 04/05/2021

WOJAN WINDOW & DOOR CORPORATION
217 STOVER ROAD
CHARLEVOIX, MI 49270

SERIES M85 SV ALUMINUM HORIZONTAL SLIDING
WINDOW 72" X 60" NON-IMPACT
COMPONENTS

| | | |
|----------------|---------------------|-----------------|
| DRAWN: A.R. | DWG NO. 08-03698 | REV - |
| SCALE NTS | DATE 03/30/2021 | SHEET 6 OF 6 |

L. ROBERTO LOMAS P.E.
1432 WOODFORD RD LEWISVILLE, NC 27023
434-688-0609 rllomas@rlomaspe.com



Luis R. Lomas P.E.
FL No.: 62514