

REVISIONS			
REV	DESCRIPTION	DATE	APPROVED
C	REVISED INSTALLATION DETAILS	03/22/2021	R.L.

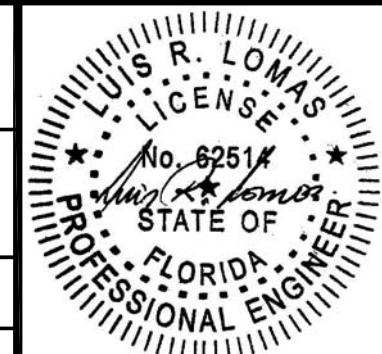
NOTES:

1. THE PRODUCT SHOWN HEREIN IS DESIGNED AND MANUFACTURED TO COMPLY WITH REQUIREMENTS OF THE FLORIDA BUILDING CODE INCLUDING THE HVHZ.
2. WOOD FRAMING AND MASONRY OPENING TO BE DESIGNED AND ANCHORED TO PROPERLY TRANSFER ALL LOADS TO STRUCTURE. FRAMING AND MASONRY OPENING IS THE RESPONSIBILITY OF THE ARCHITECT OR ENGINEER OF RECORD.
3. 1X BUCK OVER MASONRY/CONCRETE IS OPTIONAL.
4. WHERE SHIM OR BUCK THICKNESS IS LESS THAN 1-1/2" WINDOW UNITS MUST BE ANCHORED THROUGH THE FRAME IN ACCORDANCE WITH MANUFACTURER'S PUBLISHED INSTALLATION INSTRUCTIONS. ANCHORS SHALL BE SECURELY FASTENED DIRECTLY INTO MASONRY, CONCRETE OR OTHER STRUCTURAL SUBSTRATE MATERIAL.
5. WHERE WOOD BUCK THICKNESS IS 1-1/2" OR GREATER, BUCK SHALL BE SECURELY FASTENED TO MASONRY, CONCRETE OR OTHER STRUCTURAL SUBSTRATE. WINDOW UNITS MAY BE ANCHORED THROUGH FRAME TO SECURED WOOD BUCK IN ACCORDANCE WITH MANUFACTURER'S PUBLISHED INSTALLATION INSTRUCTIONS.
6. WHERE 1X BUCK IS NOT USED DISSIMILAR MATERIALS MUST BE SEPARATED WITH APPROVED COATING OR MEMBRANE. SELECTION OF COATING OR MEMBRANE IS THE RESPONSIBILITY OF THE ARCHITECT OR ENGINEER OF RECORD.
7. BUCKS SHALL EXTEND BEYOND WINDOW INTERIOR FACE SO THAT FULL FRAME SUPPORT IS PROVIDED.
8. SHIM AS REQUIRED AT EACH ANCHOR LOCATION WITH LOAD BEARING SHIM. SHIM WHERE SPACE OF 1/16" OR GREATER OCCURS. MAXIMUM ALLOWABLE SHIM STACK TO BE 1/4".
9. SHIMS SHALL BE LOCATED, APPLIED AND MADE FROM MATERIALS AND THICKNESS CAPABLE OF SUSTAINING APPLICABLE LOADS.
10. WIND LOAD DURATION FACTOR $C_d=1.6$ WAS USED FOR WOOD ANCHOR CALCULATIONS.
11. FRAME MATERIAL: EXTRUDED ALUMINUM 6063-T6.
12. UNITS MUST BE GLAZED PER ASTM E1300, SEE SHEET 3 FOR GLASS DETAILS.
13. APPROVED IMPACT PROTECTIVE SYSTEM IS NOT REQUIRED FOR THIS PRODUCT IN WIND BORNE DEBRIS REGIONS.
14. FOR ANCHORING FRAME INTO WOOD FRAMING OR 2X BUCK USE #14 WOOD SCREWS WITH SUFFICIENT LENGTH TO ACHIEVE A 1 7/16" MINIMUM EMBEDMENT INTO SUBSTRATE. LOCATE ANCHORS AS SHOWN IN ELEVATIONS AND INSTALLATION DETAILS.
15. FOR ANCHORING FRAME INTO MASONRY/CONCRETE USE 1/4" TAPCONS WITH SUFFICIENT LENGTH TO ACHIEVE A 1 1/4" MINIMUM EMBEDMENT INTO SUBSTRATE WITH 1 5/8" MINIMUM EDGE DISTANCE. LOCATE ANCHORS AS SHOWN IN ELEVATIONS AND INSTALLATION DETAILS.
16. FOR ANCHORING FRAME INTO METAL STRUCTURE USE 14" SMS OR SELF DRILLING SCREWS WITH SUFFICIENT LENGTH TO ACHIEVE 3 THREADS MINIMUM BEYOND STRUCTURE INTERIOR WALL. LOCATE ANCHORS AS SHOWN IN ELEVATIONS AND INSTALLATION DETAILS.
17. ALL FASTENERS TO BE CORROSION RESISTANT.
18. INSTALLATION ANCHORS SHALL BE INSTALLED IN ACCORDANCE WITH ANCHOR MANUFACTURER'S INSTALLATION INSTRUCTIONS AND ANCHORS SHALL NOT BE USED IN SUBSTRATES WITH STRENGTHS LESS THAN THE MINIMUM STRENGTH SPECIFIED BELOW:
 - A. WOOD - MINIMUM SPECIFIC GRAVITY OF $G=0.42$
 - B. CONCRETE - MINIMUM COMPRESSIVE STRENGTH OF 3,192 PSI.
 - C. MASONRY - STRENGTH CONFORMANCE TO ASTM C-90, GRADE N, TYPE 1 (OR GREATER).
 - D. METAL STRUCTURE: STEEL 18GA, 33KSI OR ALUMINUM 6063-T5 .125" THICK MINIMUM
19. WINDOW MAY BE INSTALLED HORIZONTALLY OR VERTICALLY

SIGNED: 05/13/2021

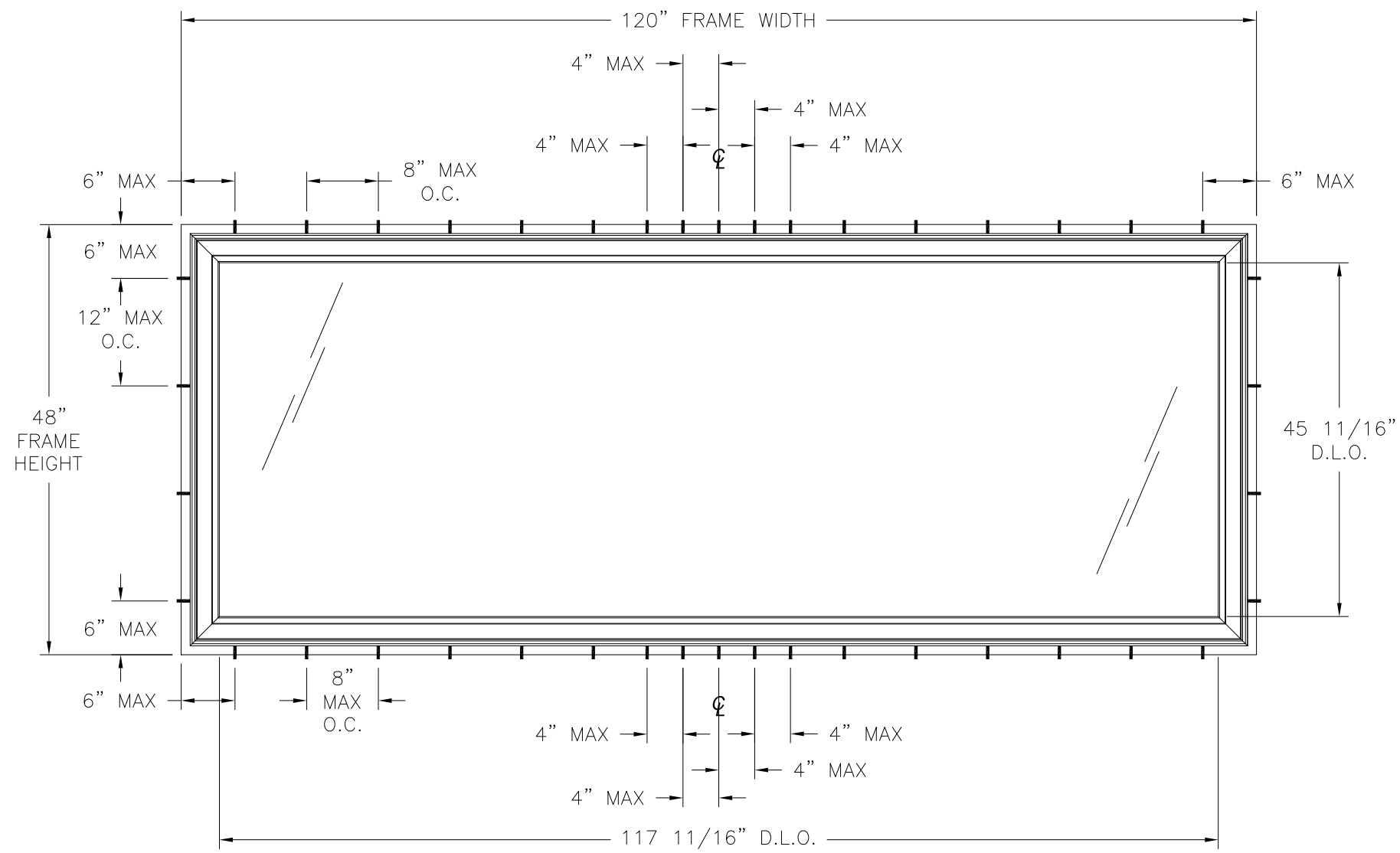
TABLE OF CONTENTS	
SHEET NO.	DESCRIPTION
1	NOTES
2 - 3	ELEVATION AND GLAZING DETAILS
4 - 7	INSTALLATION DETAILS

		EASTERN ARCHITECTURAL SYSTEMS A DIVISION OF EASTERN METAL SUPPLY 16341 DOMESTIC AVE FORT MYERS, FL 33912 800-432-2204	
SERIES 3000 ALUMINUM FLANGE FRAME IMPACT FIXED WINDOW - HVHZ - SGP NOTES			
DRAWN: J.L.	DWG NO. 08-02309	REV C	
SCALE NTS	DATE 04/14/14	SHEET 1 OF 7	
L. ROBERTO LOMAS P.E. 1432 WOODFORD RD LEWISVILLE, NC 27023 434-688-0609 rllomas@rlomaspe.com			



Luis R. Lomas P.E.
FL No.: 62514

REVISIONS			
REV	DESCRIPTION	DATE	APPROVED
C	REVISED INSTALLATION DETAILS	03/22/2021	R.L.




SERIES 3000 PW FIXED WINDOW
EXTERIOR VIEW

DESIGN PRESSURE RATING	IMPACT RATING
+95.0/-100.0PSF	LARGE MISSILE IMPACT

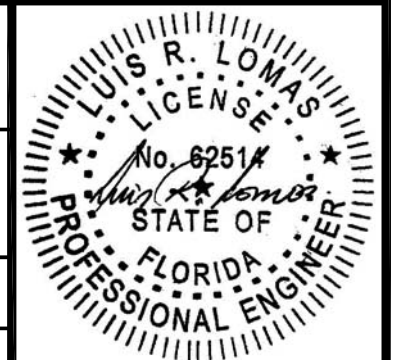
MISSILE LEVEL D, WIND ZONE 4 AND HVHZ
WITH GLASS A

DESIGN PRESSURE RATING	IMPACT RATING
±100.0PSF	LARGE MISSILE IMPACT

MISSILE LEVEL D, WIND ZONE 4 AND HVHZ
WITH GLASS B

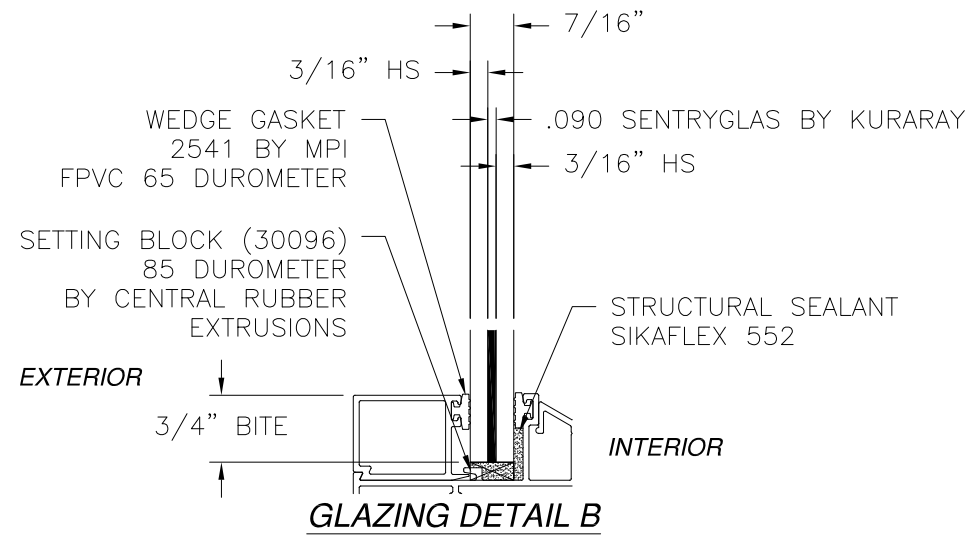
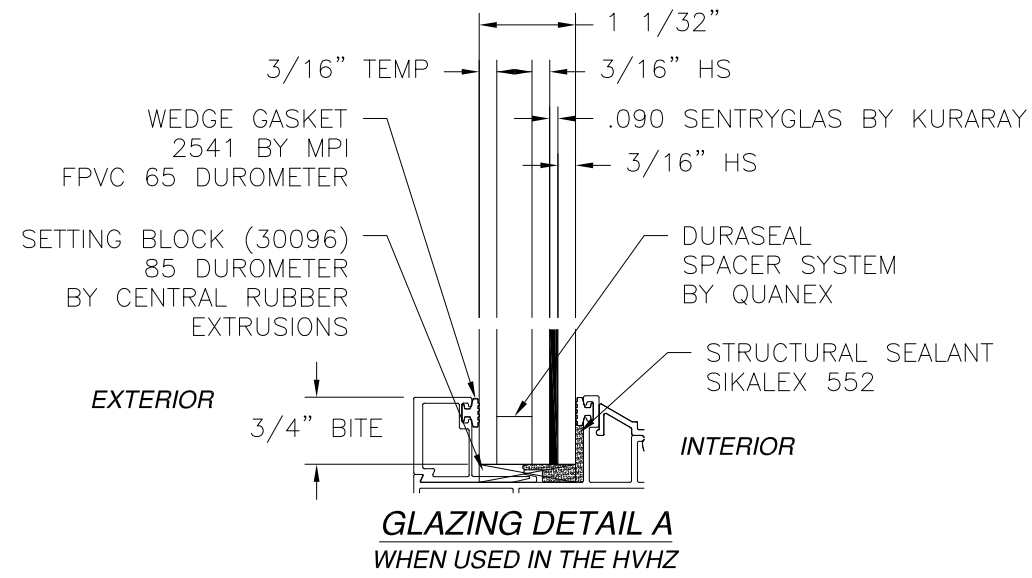
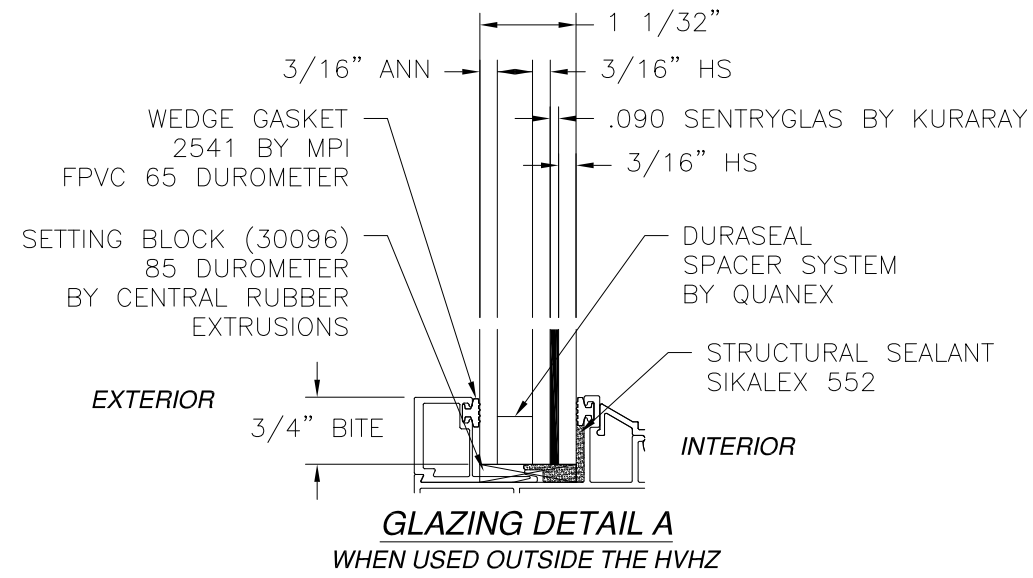
			EASTERN ARCHITECTURAL SYSTEMS A DIVISION OF EASTERN METAL SUPPLY 16341 DOMESTIC AVE FORT MYERS, FL 33912 800-432-2204		
SERIES 3000 ALUMINUM FLANGE FRAME IMPACT FIXED WINDOW – HVHZ – SGP ELEVATION					
DRAWN: J.L.		DWG NO. 08-02309		REV C	
SCALE NTS		DATE 04/14/14		SHEET 2 OF 7	
L. ROBERTO LOMAS P.E. 1432 WOODFORD RD LEWISVILLE, NC 27023 434-688-0609 rllomas@rlomaspe.com					

SIGNED: 05/13/2021




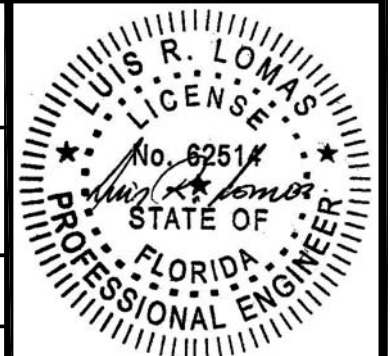
Luis R. Lomas P.E.
FL No.: 62514

REVISIONS			
REV	DESCRIPTION	DATE	APPROVED
C	REVISED INSTALLATION DETAILS	03/22/2021	R.L.

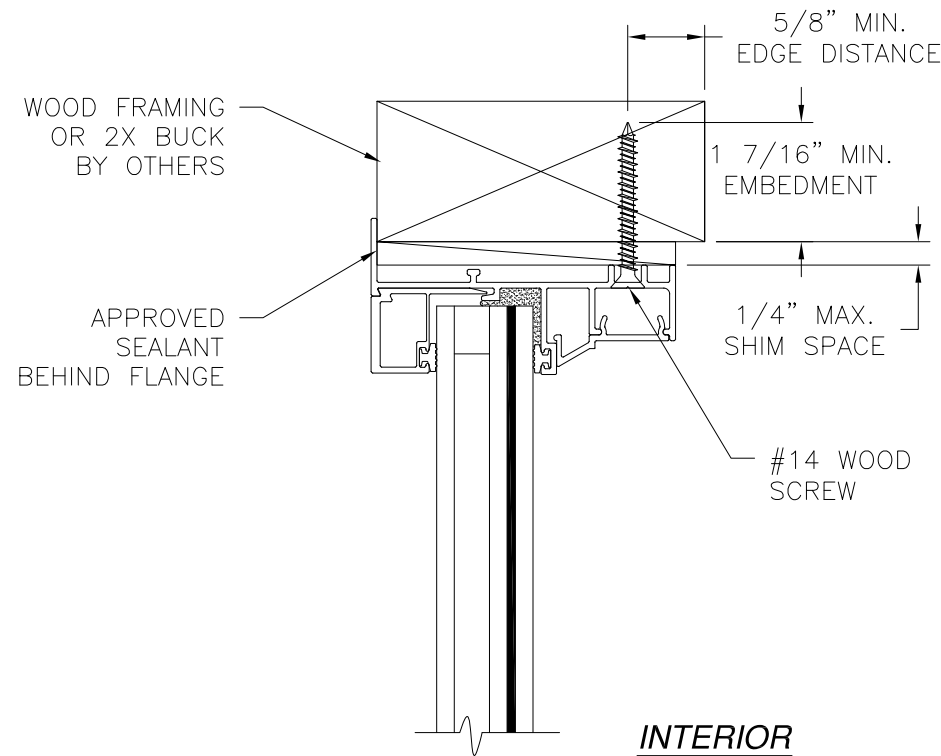


SIGNED: 05/13/2021

		EASTERN ARCHITECTURAL SYSTEMS A DIVISION OF EASTERN METAL SUPPLY 16341 DOMESTIC AVE FORT MYERS, FL 33912 800-432-2204	
SERIES 3000 ALUMINUM FLANGE FRAME IMPACT FIXED WINDOW - HVHZ - SGP GLAZING DETAILS			
DRAWN: J.L.	DWG NO. 08-02309	REV C	
SCALE NTS	DATE 04/14/14	SHEET 3 OF 7	
L. ROBERTO LOMAS P.E. 1432 WOODFORD RD LEWISVILLE, NC 27023 434-688-0609 rllomas@lrlomaspe.com			

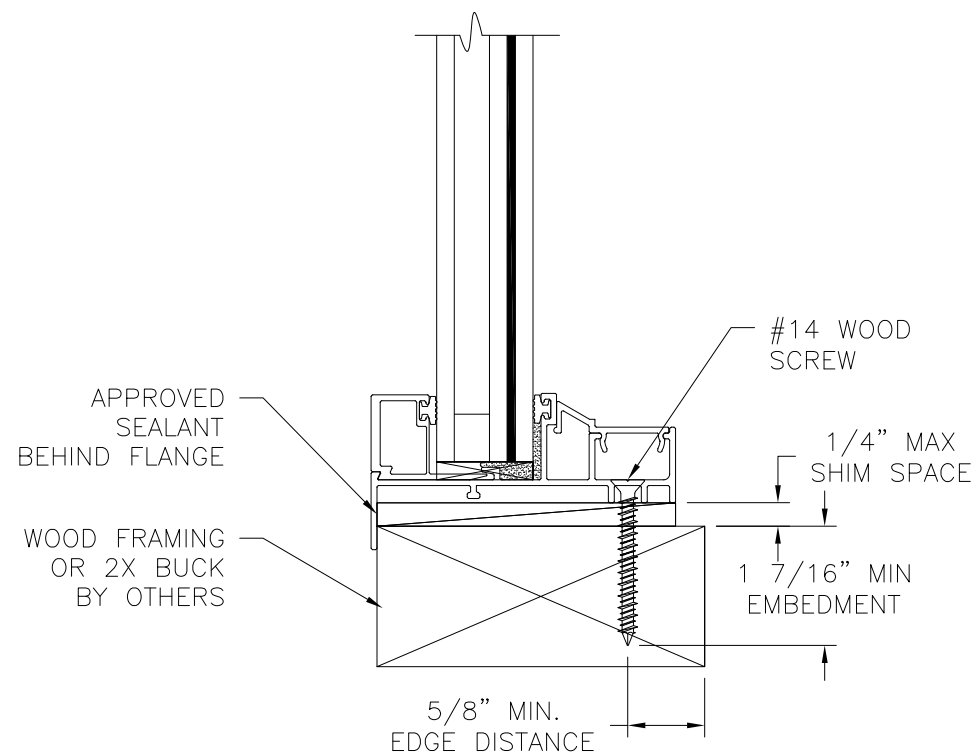


Luis R. Lomas P.E.
FL No.: 62514

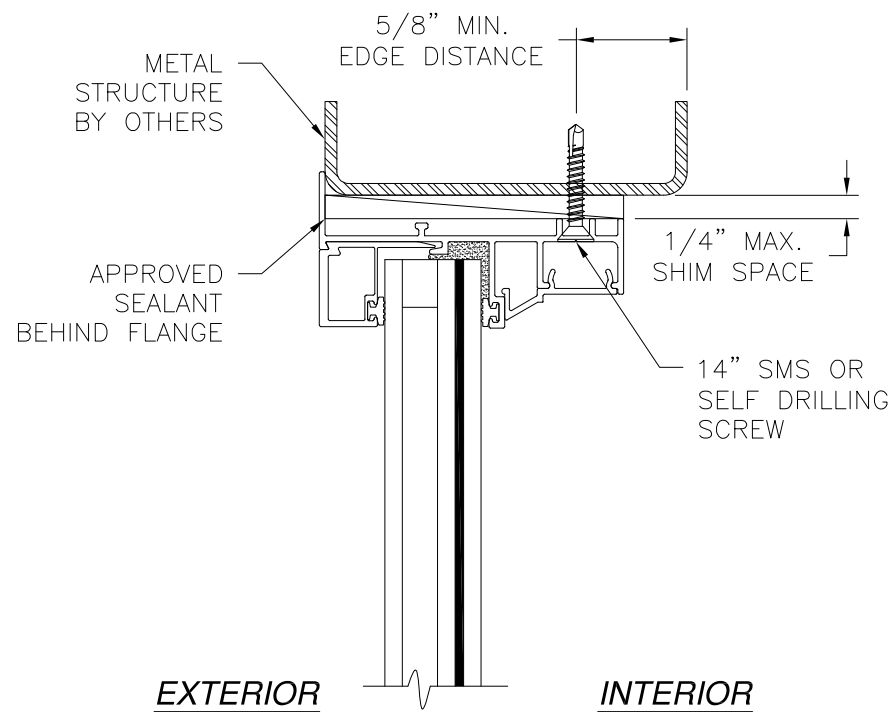


INTERIOR

EXTERIOR

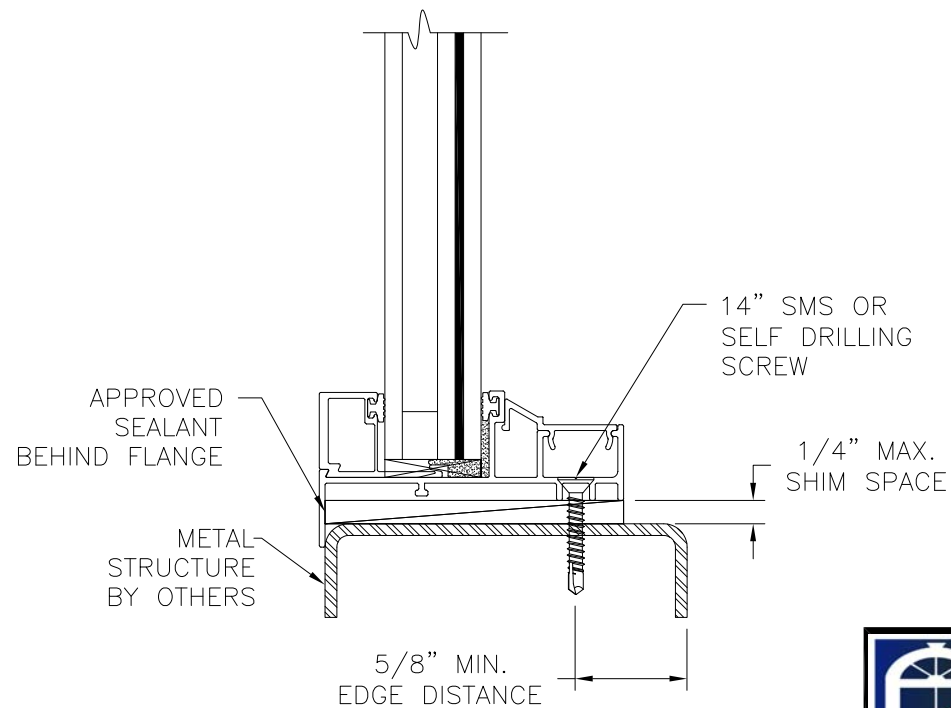


**VERTICAL CROSS SECTION
WOOD FRAMING OR 2X BUCK INSTALLATION**



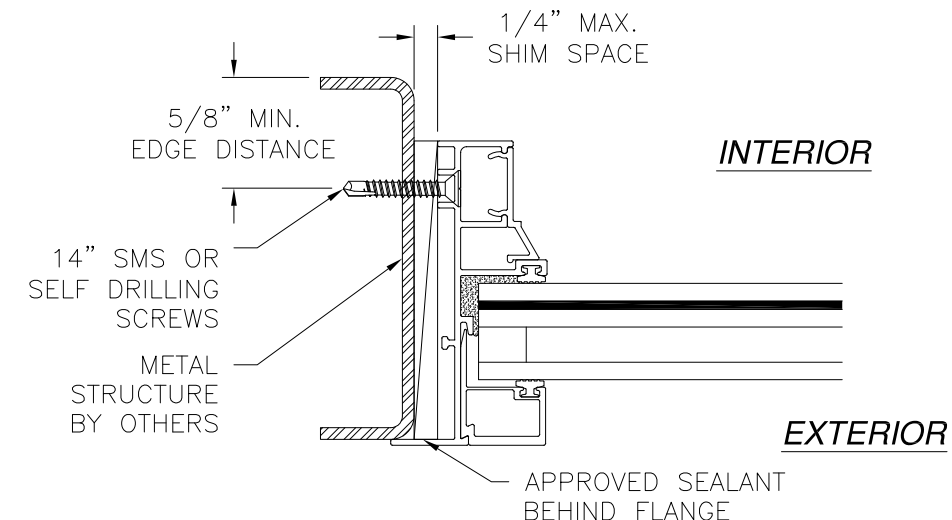
EXTERIOR

INTERIOR

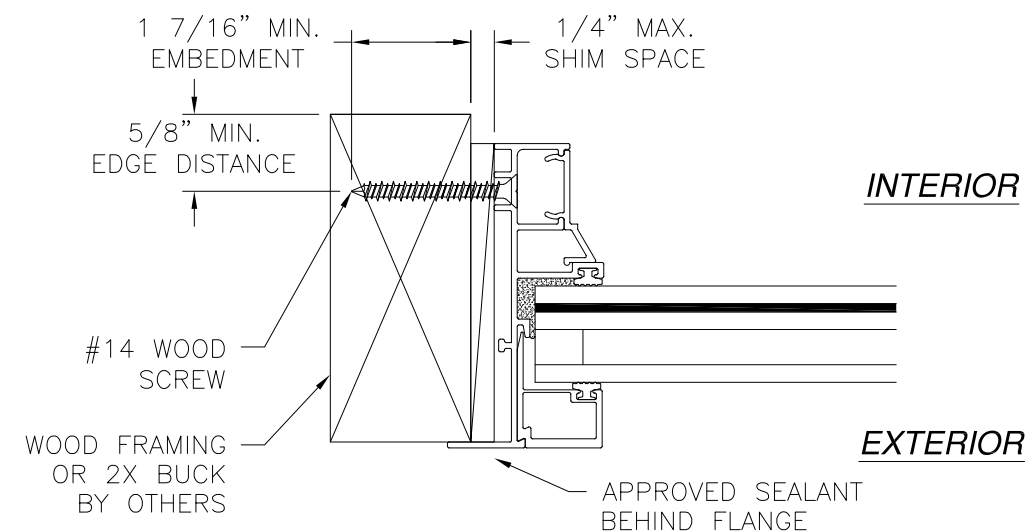


**VERTICAL CROSS SECTION
METAL STRUCTURE INSTALLATION**

REVISIONS			
REV	DESCRIPTION	DATE	APPROVED
C	REVISED INSTALLATION DETAILS	03/22/2021	R.L.



**JAMB INSTALLATION DETAIL
METAL STRUCTURE INSTALLATION**



**JAMB INSTALLATION DETAIL
WOOD FRAMING OR 2X BUCK INSTALLATION**

SIGNED: 05/13/2021

- NOTES:
 1. INTERIOR AND EXTERIOR FINISHES, BY OTHERS, NOT SHOWN FOR CLARITY.
 2. PERIMETER AND JOINT SEALANT BY OTHERS TO BE DESIGNED IN ACCORDANCE WITH ASTM E2112

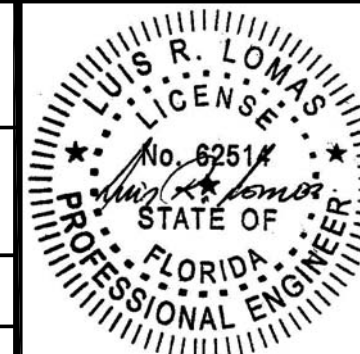
Eastern
 ARCHITECTURAL SYSTEMS
 ALUMINUM AND VINYL
 IMPACT WINDOWS AND DOORS

EASTERN ARCHITECTURAL SYSTEMS
 A DIVISION OF
 EASTERN METAL SUPPLY
 16341 DOMESTIC AVE
 FORT MYERS, FL 33912
 800-432-2204

**SERIES 3000 ALUMINUM FLANGE FRAME
 IMPACT FIXED WINDOW - HVHZ - SGP
 FLANGE INSTALLATION DETAILS**

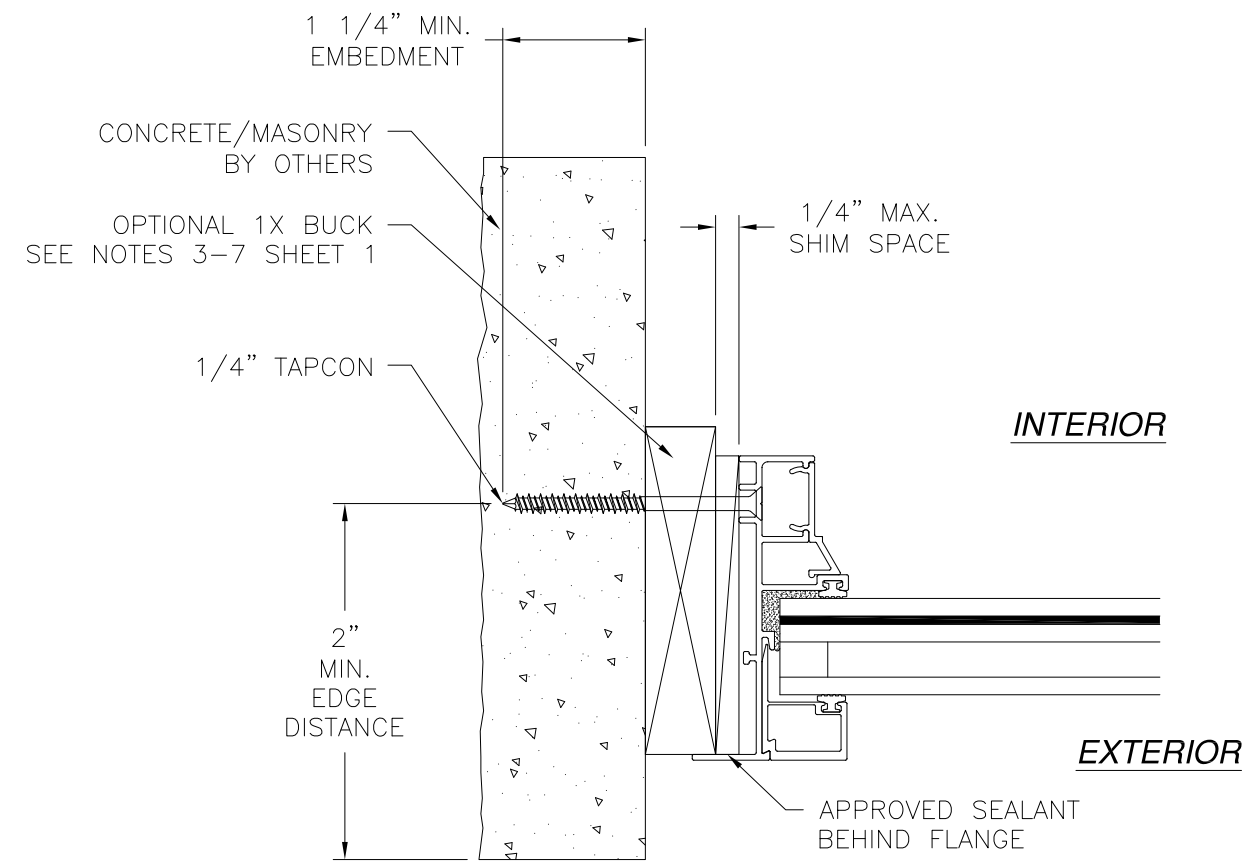
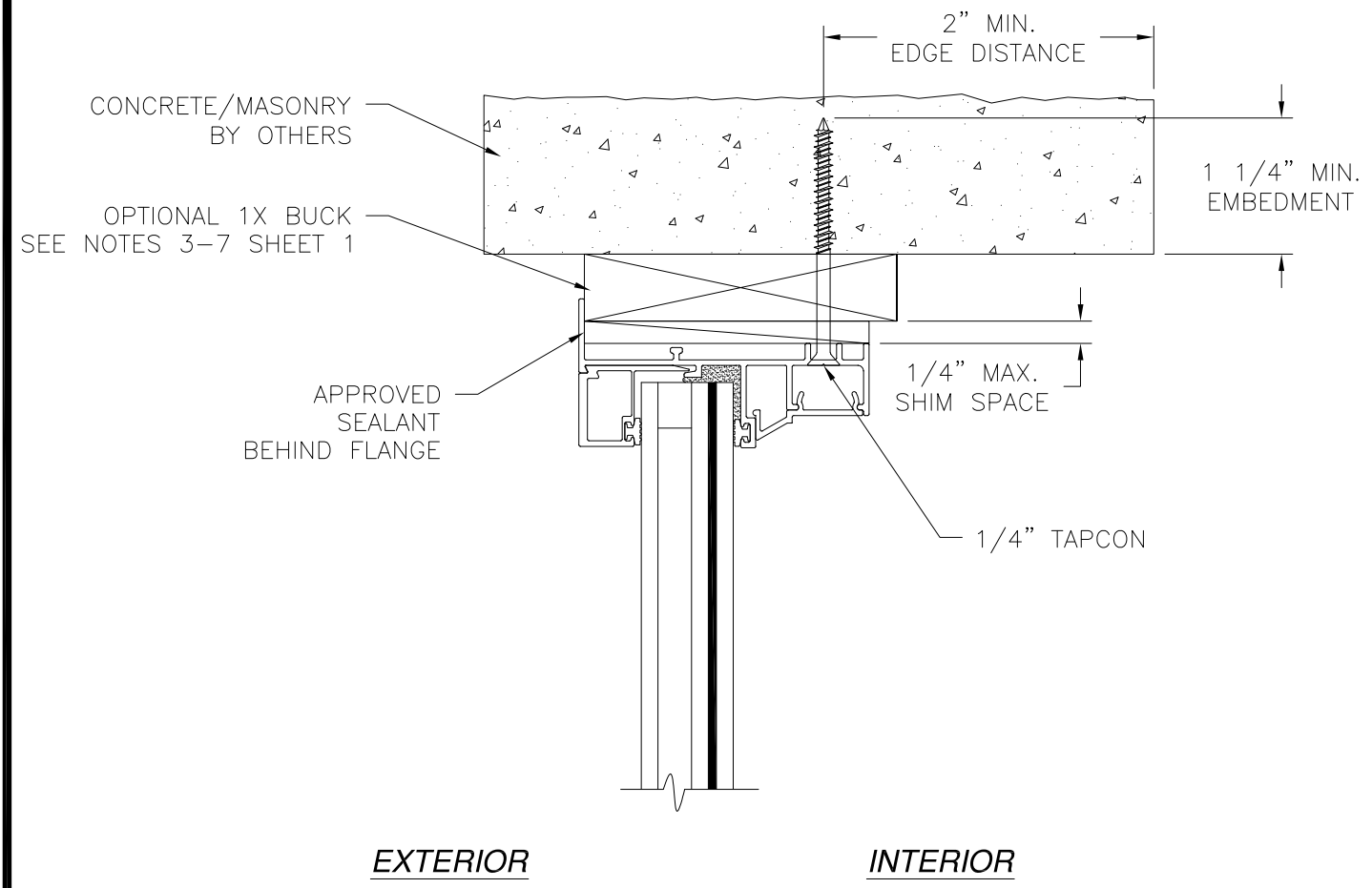
DRAWN: J.L.	DWG NO. 08-02309	REV C
SCALE NTS	DATE 04/14/14	SHEET 4 OF 7

L. ROBERTO LOMAS P.E.
 1432 WOODFORD RD LEWISVILLE, NC 27023
 434-688-0609 rllomas@rlomaspe.com

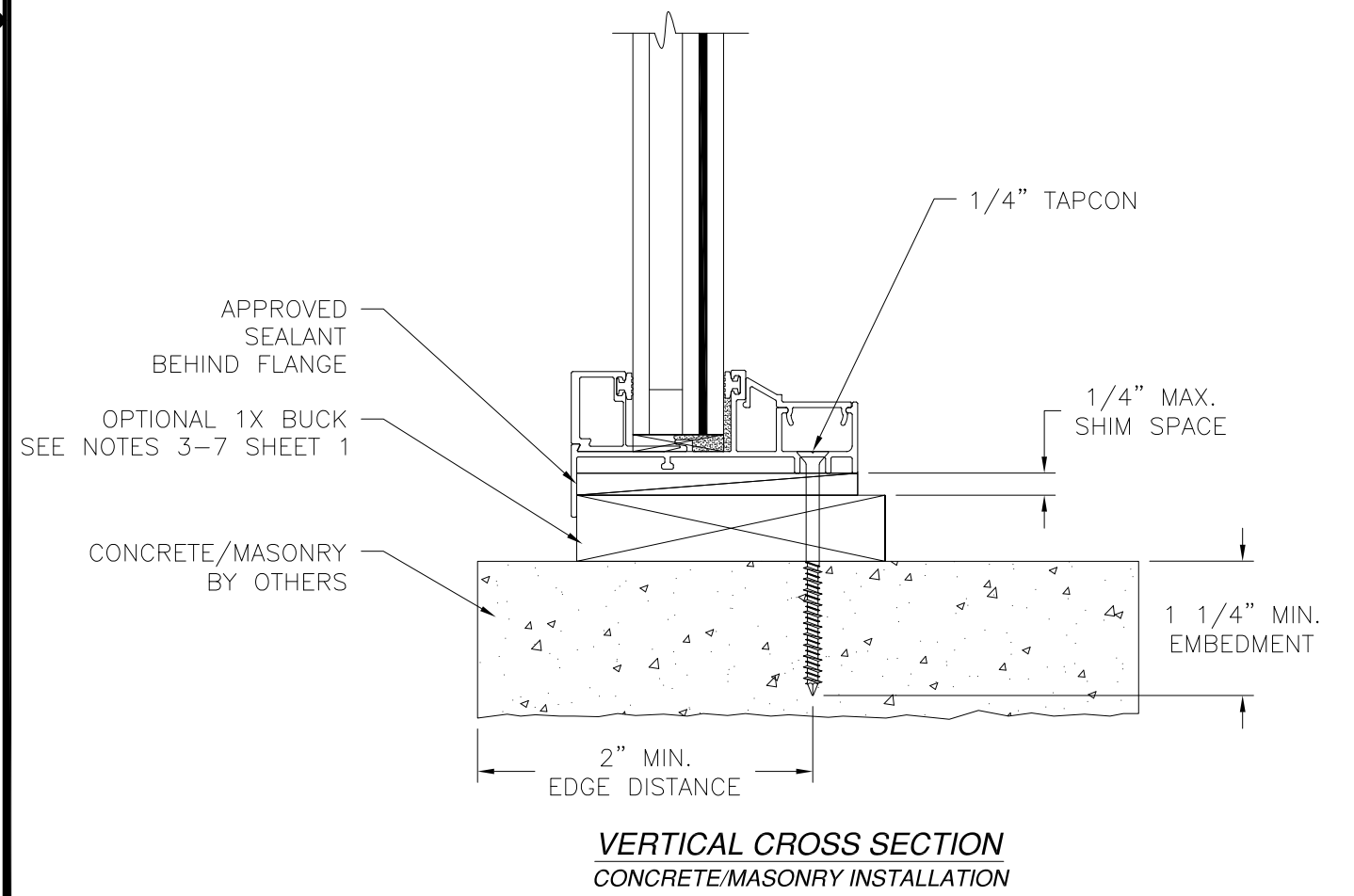


Luis R. Lomas P.E.
 FL No.: 62514

REVISIONS			
REV	DESCRIPTION	DATE	APPROVED
C	REVISED INSTALLATION DETAILS	03/22/2021	R.L.



JAMB INSTALLATION DETAIL
CONCRETE/MASONRY INSTALLATION

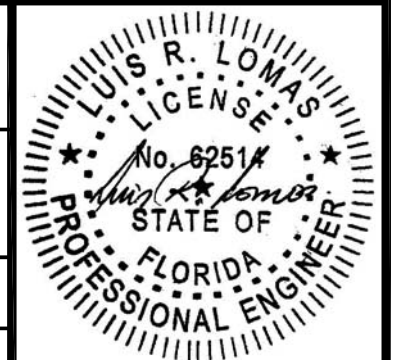


VERTICAL CROSS SECTION
CONCRETE/MASONRY INSTALLATION

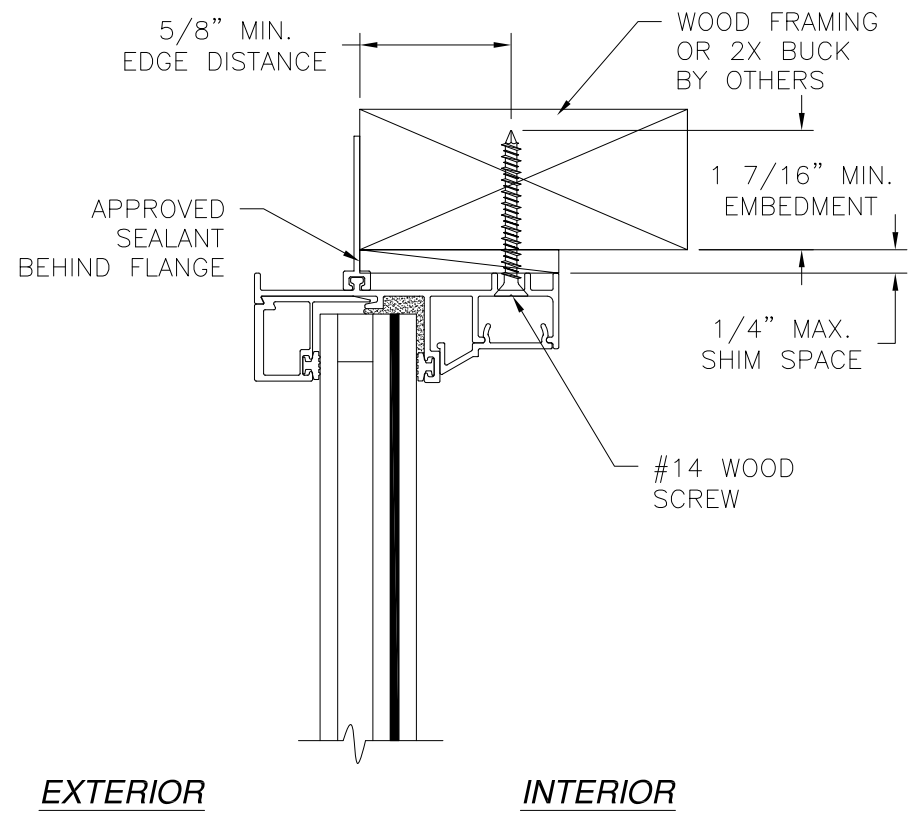
- NOTES:**
1. INTERIOR AND EXTERIOR FINISHES, BY OTHERS, NOT SHOWN FOR CLARITY.
 2. PERIMETER AND JOINT SEALANT BY OTHERS TO BE DESIGNED IN ACCORDANCE WITH ASTM E2112

SIGNED: 05/13/2021

		EASTERN ARCHITECTURAL SYSTEMS A DIVISION OF EASTERN METAL SUPPLY 16341 DOMESTIC AVE FORT MYERS, FL 33912 800-432-2204	
SERIES 3000 ALUMINUM FLANGE FRAME IMPACT FIXED WINDOW - HVHZ - SGP FLANGE INSTALLATION DETAILS			
DRAWN: J.L.	DWG NO. 08-02309	REV C	
SCALE NTS	DATE 04/14/14	SHEET 5 OF 7	
L. ROBERTO LOMAS P.E. 1432 WOODFORD RD LEWISVILLE, NC 27023 434-688-0609 rllomas@rlomaspe.com			

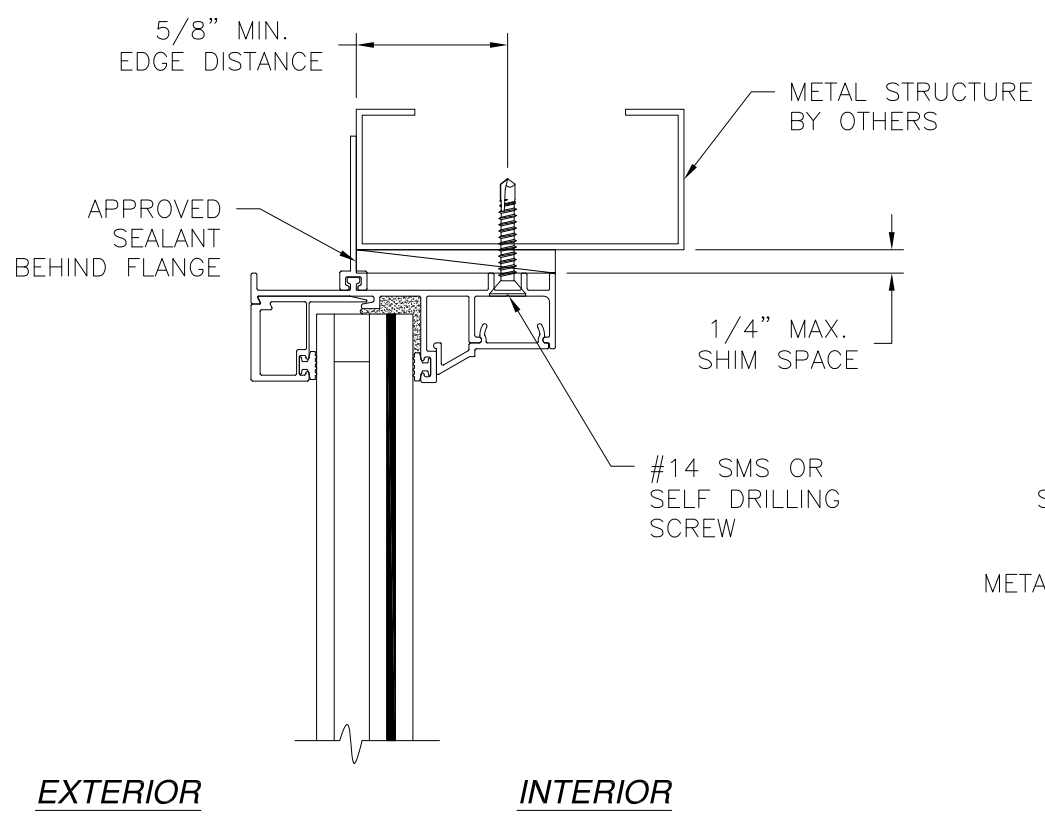


Luis R. Lomas P.E.
FL No.: 62514



EXTERIOR

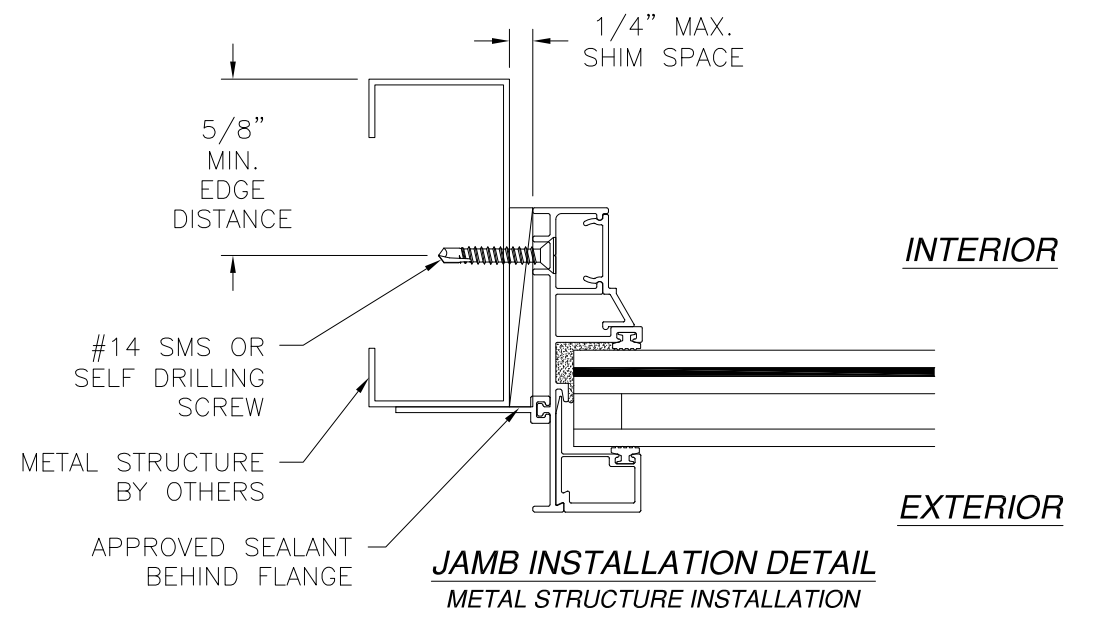
INTERIOR



EXTERIOR

INTERIOR

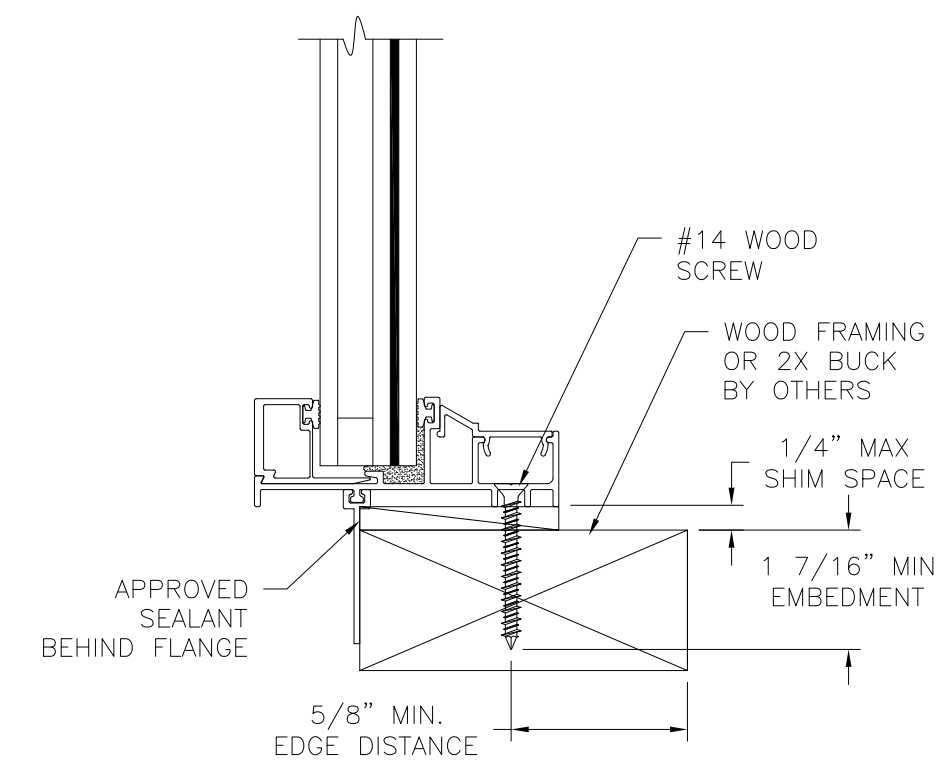
REVISIONS			
REV	DESCRIPTION	DATE	APPROVED
C	REVISED INSTALLATION DETAILS	03/22/2021	R.L.



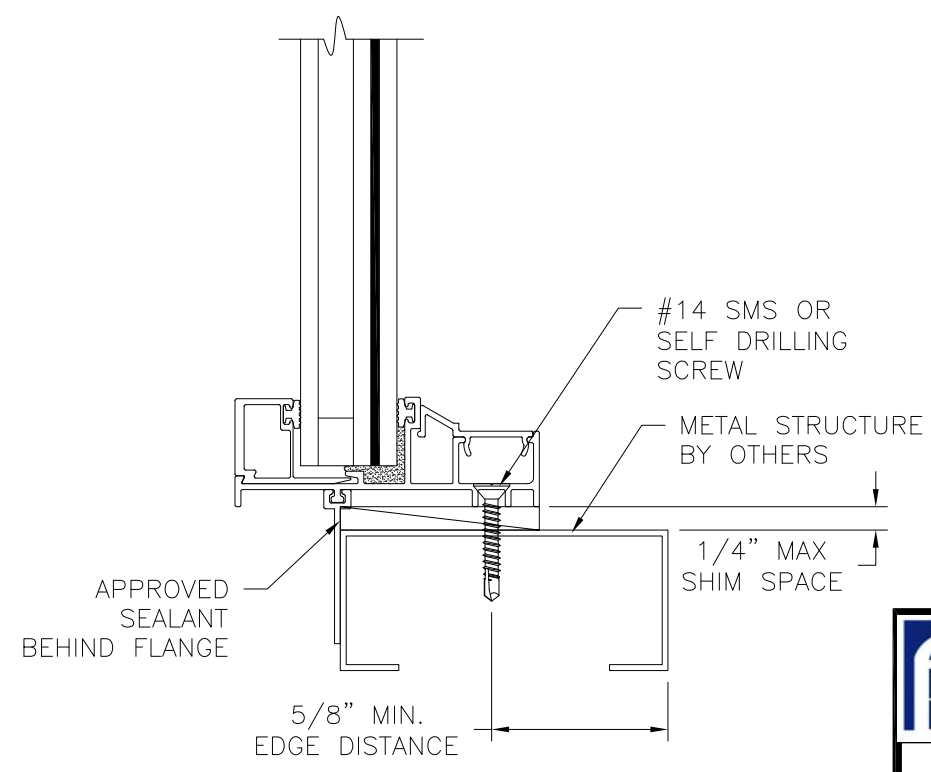
INTERIOR

EXTERIOR

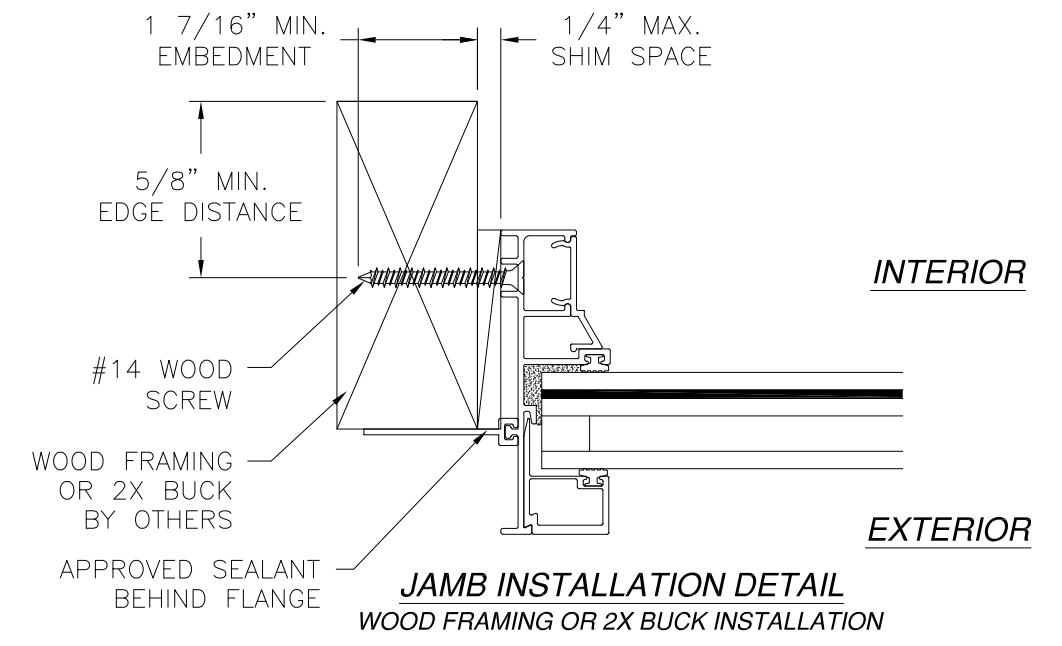
JAMB INSTALLATION DETAIL
METAL STRUCTURE INSTALLATION



VERTICAL CROSS SECTION
WOOD FRAMING OR 2X BUCK INSTALLATION



VERTICAL CROSS SECTION
METAL STRUCTURE INSTALLATION



INTERIOR

EXTERIOR

JAMB INSTALLATION DETAIL
WOOD FRAMING OR 2X BUCK INSTALLATION

SIGNED: 05/13/2021

NOTES:
1. INTERIOR AND EXTERIOR FINISHES, BY OTHERS, NOT SHOWN FOR CLARITY.
2. PERIMETER AND JOINT SEALANT BY OTHERS TO BE DESIGNED IN ACCORDANCE WITH ASTM E2112

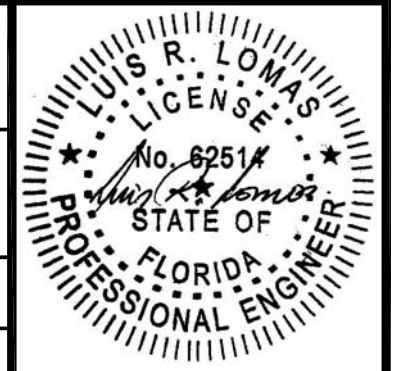
Eastern
ARCHITECTURAL SYSTEMS
ALUMINUM AND VINYL
IMPACT WINDOWS AND DOORS

EASTERN ARCHITECTURAL SYSTEMS
A DIVISION OF
EASTERN METAL SUPPLY
16341 DOMESTIC AVE
FORT MYERS, FL 33912
800-432-2204

SERIES 3000 ALUMINUM FLANGE FRAME
IMPACT FIXED WINDOW - HVHZ - SGP
SLIP-ON FIN INSTALLATION DETAILS

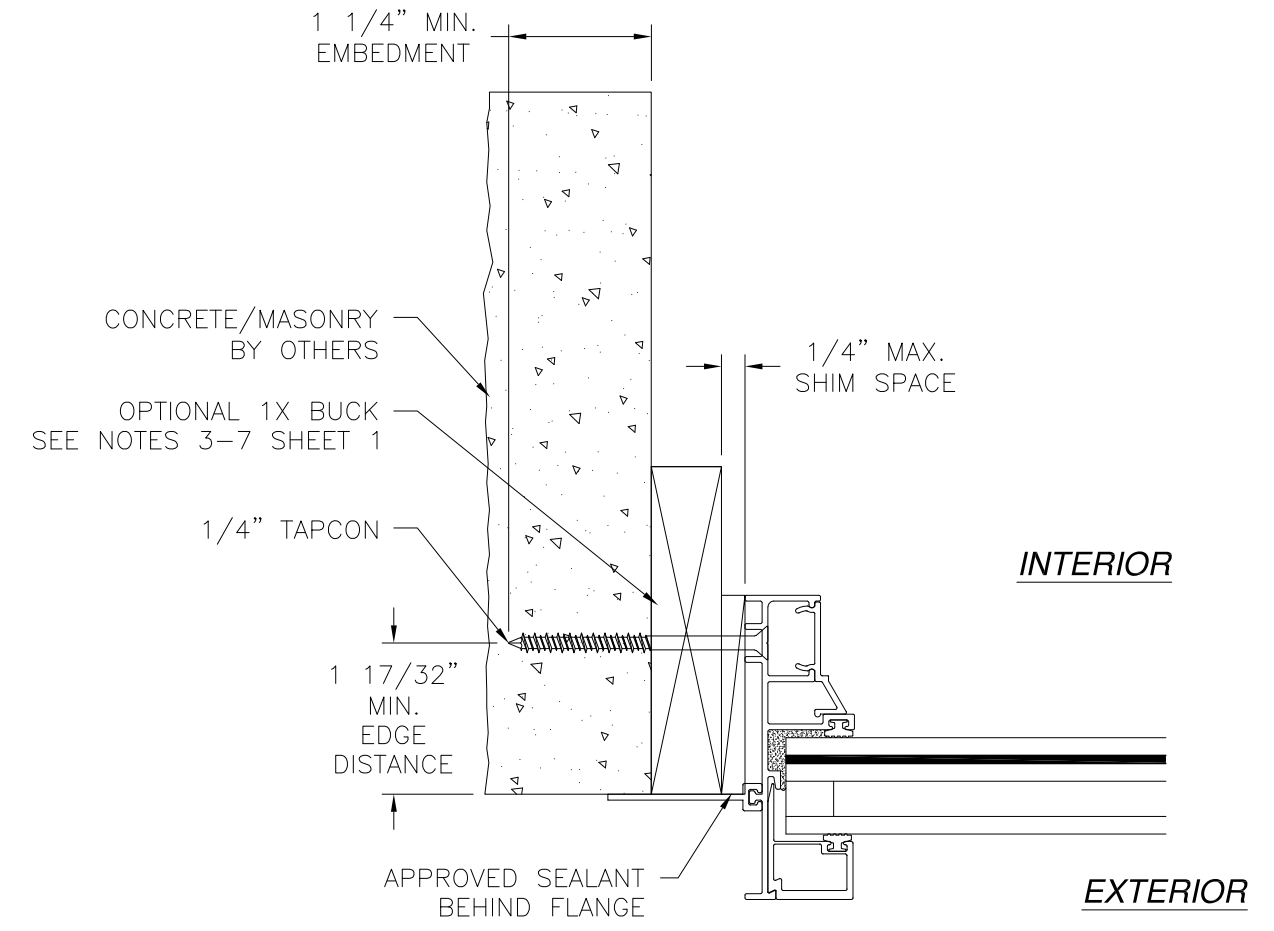
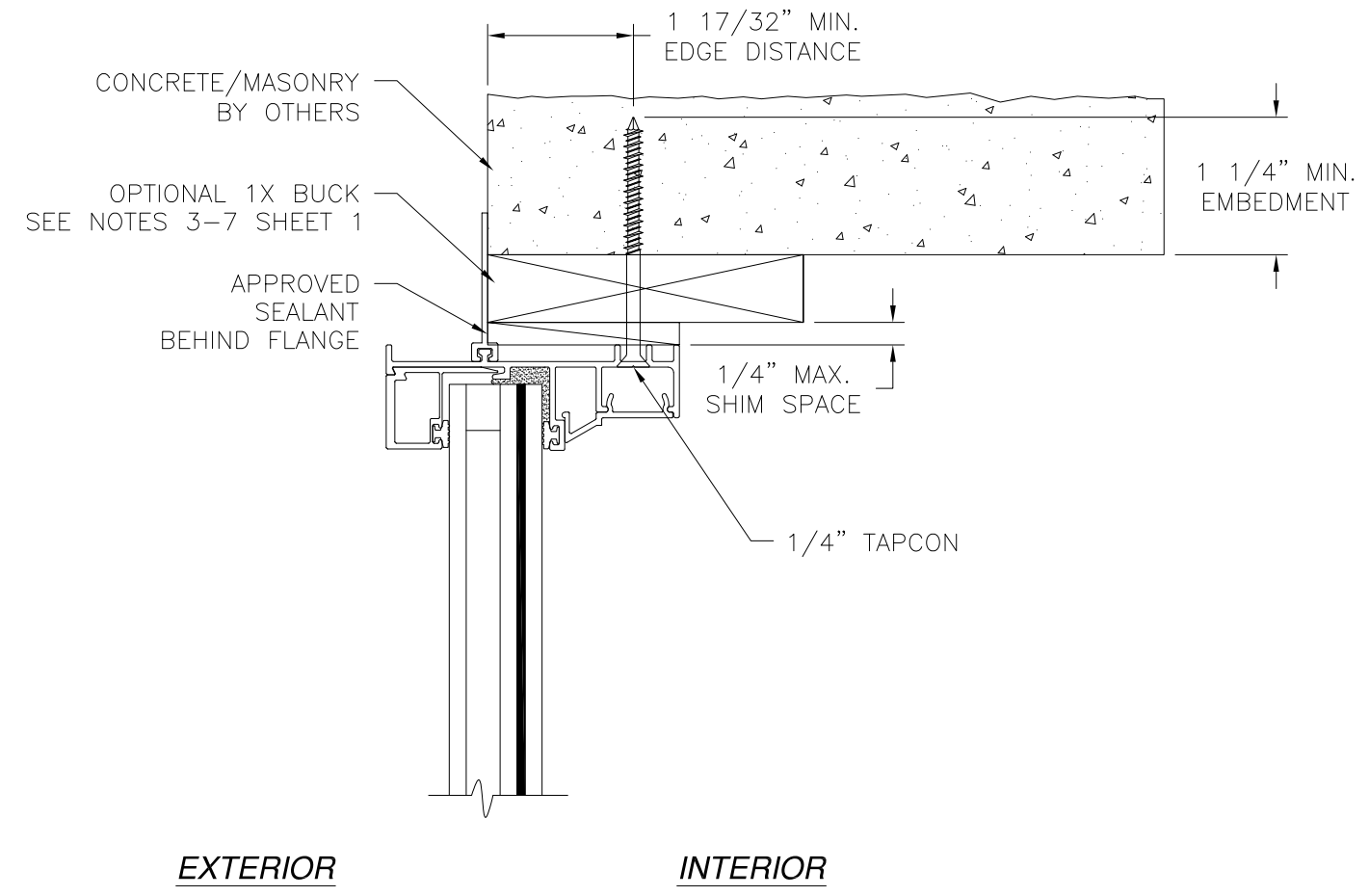
DRAWN: J.L.	DWG NO. 08-02309	REV C
SCALE NTS	DATE 04/14/14	SHEET 6 OF 7

L. ROBERTO LOMAS P.E.
1432 WOODFORD RD LEWISVILLE, NC 27023
434-688-0609 rllomas@rlomaspe.com



Luis R. Lomas P.E.
FL No.: 62514

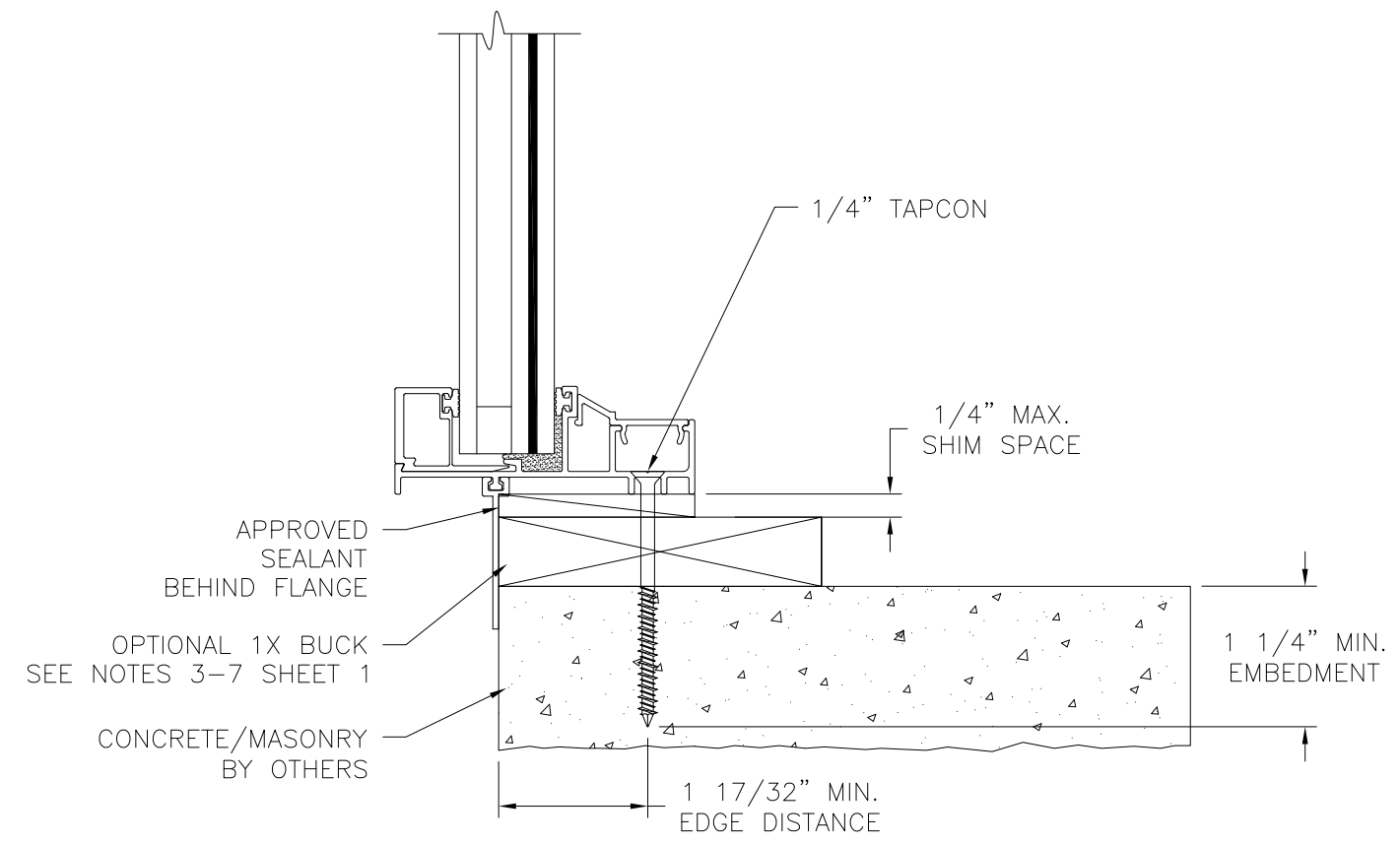
REVISIONS			
REV	DESCRIPTION	DATE	APPROVED
C	REVISED INSTALLATION DETAILS	03/22/2021	R.L.



JAMB INSTALLATION DETAIL
CONCRETE/MASONRY INSTALLATION

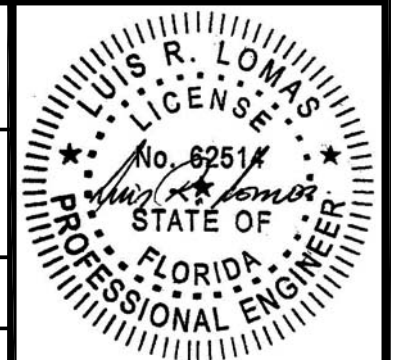
- NOTES:**
1. INTERIOR AND EXTERIOR FINISHES, BY OTHERS, NOT SHOWN FOR CLARITY.
 2. PERIMETER AND JOINT SEALANT BY OTHERS TO BE DESIGNED IN ACCORDANCE WITH ASTM E2112

SIGNED: 05/13/2021



VERTICAL CROSS SECTION
CONCRETE/MASONRY INSTALLATION

		EASTERN ARCHITECTURAL SYSTEMS A DIVISION OF EASTERN METAL SUPPLY 16341 DOMESTIC AVE FORT MYERS, FL 33912 800-432-2204	
SERIES 3000 ALUMINUM FLANGE FRAME IMPACT FIXED WINDOW - HVHZ - SGP SLIP-ON FIN INSTALLATION DETAILS			
DRAWN: J.L.	DWG NO. 08-02309	REV C	
SCALE NTS	DATE 04/14/14	SHEET 7 OF 7	
L. ROBERTO LOMAS P.E. 1432 WOODFORD RD LEWISVILLE, NC 27023 434-688-0609 rllomas@rlomaspe.com			



Luis R. Lomas P.E.
FL No.: 62514