


REVISIONS			
REV	DESCRIPTION	DATE	APPROVED
D	ADDED GLASS D	11/03/23	R.L.

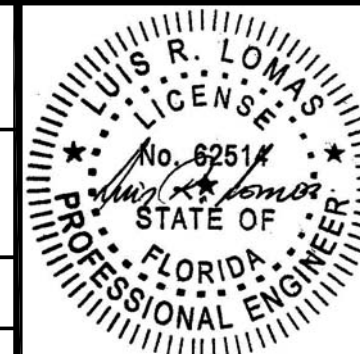
NOTES:

1. THE PRODUCT SHOWN HEREIN IS DESIGNED AND MANUFACTURED TO COMPLY WITH REQUIREMENTS OF THE FLORIDA BUILDING CODE INCLUDING THE HVHZ.
2. WOOD FRAMING AND MASONRY OPENING TO BE DESIGNED AND ANCHORED TO PROPERLY TRANSFER ALL LOADS TO STRUCTURE. FRAMING AND MASONRY OPENING IS THE RESPONSIBILITY OF THE ARCHITECT OR ENGINEER OF RECORD.
3. WHERE SHIM OR BUCK THICKNESS IS LESS THAN 1-1/2" WINDOW UNITS MUST BE ANCHORED THROUGH THE FRAME IN ACCORDANCE WITH MANUFACTURER'S PUBLISHED INSTALLATION INSTRUCTIONS. ANCHORS SHALL BE SECURELY FASTENED DIRECTLY INTO MASONRY, CONCRETE OR OTHER STRUCTURAL SUBSTRATE MATERIAL.
4. WHERE WOOD BUCK THICKNESS IS 1-1/2" OR GREATER, BUCK SHALL BE SECURELY FASTENED TO MASONRY, CONCRETE OR OTHER STRUCTURAL SUBSTRATE. WINDOW UNITS MAY BE ANCHORED THROUGH FRAME TO SECURED WOOD BUCK IN ACCORDANCE WITH MANUFACTURER'S PUBLISHED INSTALLATION INSTRUCTIONS.
5. WHERE 1X BUCK IS NOT USED DISSIMILAR MATERIALS MUST BE SEPARATED WITH APPROVED COATING OR MEMBRANE. SELECTION OF COATING OR MEMBRANE IS THE RESPONSIBILITY OF THE ARCHITECT OR ENGINEER OF RECORD.
6. BUCKS SHALL EXTEND BEYOND WINDOW INTERIOR FACE SO THAT FULL FRAME SUPPORT IS PROVIDED.
7. SHIM AS REQUIRED AT EACH ANCHOR LOCATION WITH LOAD BEARING SHIM. SHIM WHERE SPACE OF 1/16" OR GREATER OCCURS. MAXIMUM ALLOWABLE SHIM STACK TO BE 1/4".
8. SHIMS SHALL BE LOCATED, APPLIED AND MADE FROM MATERIALS AND THICKNESS CAPABLE OF SUSTAINING APPLICABLE LOADS.
9. WIND LOAD DURATION FACTOR Cd=1.6 WAS USED FOR WOOD ANCHOR CALCULATIONS.
10. FRAME MATERIAL: EXTRUDED ALUMINUM 6063-T6.
11. UNITS MUST BE GLAZED PER ASTM E1300, SEE SHEET 4 FOR GLASS DETAILS.
12. APPROVED IMPACT PROTECTIVE SYSTEM IS NOT REQUIRED FOR THIS PRODUCT IN WIND BORNE DEBRIS REGIONS.
13. FOR ANCHORING FRAME INTO WOOD FRAMING OR 2X BUCK USE #14 WOOD SCREWS WITH SUFFICIENT LENGTH TO ACHIEVE A 1 7/16" MINIMUM EMBEDMENT INTO SUBSTRATE. LOCATE ANCHORS AS SHOWN IN ELEVATIONS AND INSTALLATION DETAILS.
14. FOR ANCHORING FRAME INTO MASONRY/CONCRETE USE 1/4" TAPCONS WITH SUFFICIENT LENGTH TO ACHIEVE A 1 1/4" MINIMUM EMBEDMENT INTO SUBSTRATE WITH 1 5/8" MINIMUM EDGE DISTANCE. LOCATE ANCHORS AS SHOWN IN ELEVATIONS AND INSTALLATION DETAILS.
15. FOR ANCHORING FRAME INTO METAL STRUCTURE USE 14" SMS OR SELF DRILLING SCREWS WITH SUFFICIENT LENGTH TO ACHIEVE 3 THREADS MINIMUM BEYOND STRUCTURE INTERIOR WALL. LOCATE ANCHORS AS SHOWN IN ELEVATIONS AND INSTALLATION DETAILS.
16. ALL FASTENERS TO BE CORROSION RESISTANT.
17. INSTALLATION ANCHORS SHALL BE INSTALLED IN ACCORDANCE WITH ANCHOR MANUFACTURER'S INSTALLATION INSTRUCTIONS AND ANCHORS SHALL NOT BE USED IN SUBSTRATES WITH STRENGTHS LESS THAN THE MINIMUM STRENGTH SPECIFIED BELOW:
 - A. WOOD - MINIMUM SPECIFIC GRAVITY OF G=0.42
 - B. CONCRETE - MINIMUM COMPRESSIVE STRENGTH OF 3,192 PSI.
 - C. MASONRY - STRENGTH CONFORMANCE TO ASTM C-90, GRADE N, TYPE 1 (OR GREATER).
 - D. METAL STRUCTURE: STEEL 18GA, 33KSI OR ALUMINUM 6063-T5 .125" THICK MINIMUM
18. WINDOW MAY BE INSTALLED HORIZONTALLY OR VERTICALLY

SIGNED: 11/06/2023

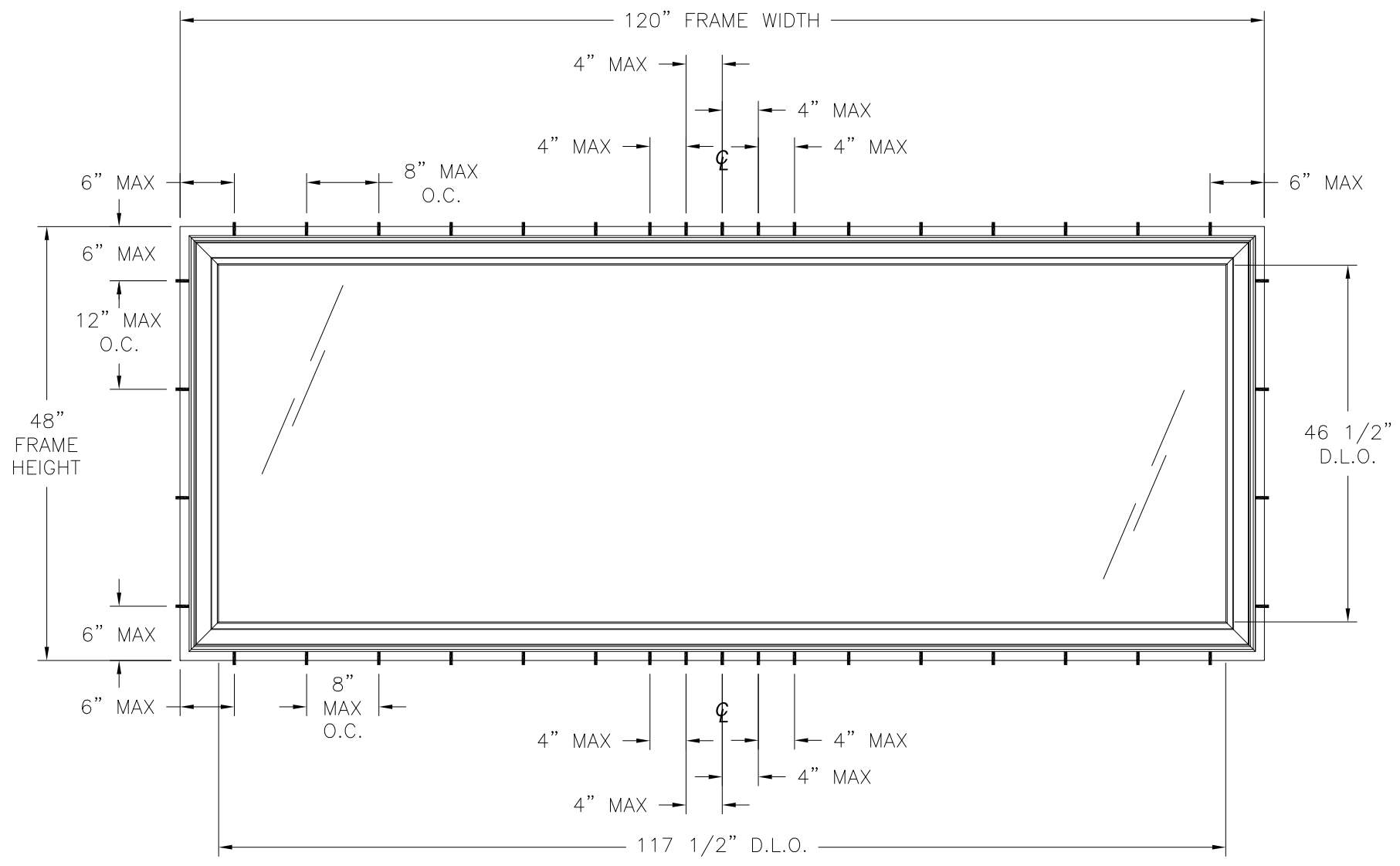
TABLE OF CONTENTS	
SHEET NO.	DESCRIPTION
1	NOTES
2 - 3	ELEVATION AND GLAZING DETAILS
4 - 7	INSTALLATION DETAILS

		EASTERN ARCHITECTURAL SYSTEMS A DIVISION OF EASTERN METAL SUPPLY 16341 DOMESTIC AVE FORT MYERS, FL 33912 800-432-2204	
SERIES 3000 ALUMINUM FIXED WINDOW IMPACT HVHZ PVB NOTES			
DRAWN: J.L.		DWG NO. 08-02310D	
SCALE NTS		DATE 07/24/14	
		SHEET 1 1 OF 8	
L. ROBERTO LOMAS P.E. 208 7th Ave, INDIALANTIC, FL 32903 434-688-0609 rllomas@rlomaspe.com			



Luis R. Lomas P.E.
FL No.: 62514

REVISIONS			
REV	DESCRIPTION	DATE	APPROVED
D	ADDED GLASS D	11/03/23	R.L.



SERIES 3000 PW FIXED WINDOW
EXTERIOR VIEW

WITH GLASS A, B OR C

DESIGN PRESSURE RATING	IMPACT RATING
±70.0PSF	LARGE MISSILE IMPACT

MISSILE LEVEL D, WIND ZONE 4 AND HVHZ

WITH GLASS D, E OR F

DESIGN PRESSURE RATING	IMPACT RATING
±48.0PSF	LARGE MISSILE IMPACT

MISSILE LEVEL D, WIND ZONE 4 AND HVHZ

SIGNED: 11/06/2023

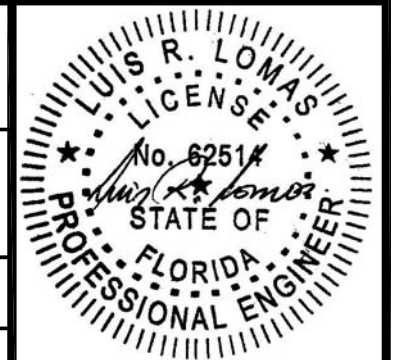


EASTERN ARCHITECTURAL SYSTEMS
 A DIVISION OF
 EASTERN METAL SUPPLY
 16341 DOMESTIC AVE
 FORT MYERS, FL 33912
 800-432-2204

**SERIES 3000 ALUMINUM FIXED WINDOW
IMPACT HVHZ PVB
ELEVATIONS**

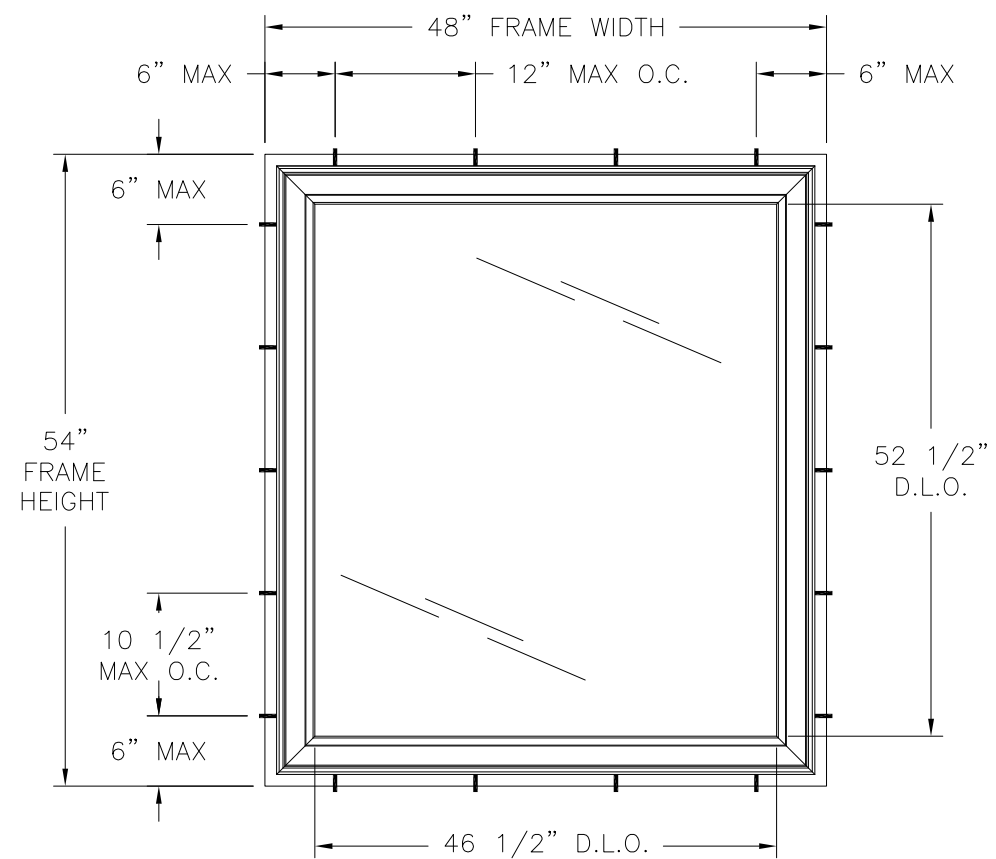
DRAWN: J.L.	DWG NO. 08-02310D	REV D
SCALE NTS	DATE 07/24/14	SHEET 2 OF 8

L. ROBERTO LOMAS P.E.
 208 7th Ave, INDIALANTIC, FL 32903
 434-688-0609 rllomas@lrlomaspe.com



Luis R. Lomas P.E.
FL No.: 62514

REVISIONS			
REV	DESCRIPTION	DATE	APPROVED
D	ADDED GLASS D	11/03/23	R.L.



SERIES 3000 PW FIXED WINDOW
EXTERIOR VIEW

WITH GLASS A, B OR C

DESIGN PRESSURE RATING	IMPACT RATING
+85.0/-90.0PSF	LARGE MISSILE IMPACT

MISSILE LEVEL D, WIND ZONE 4 AND HVHZ

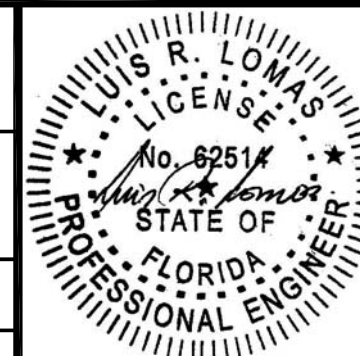
WITH GLASS D, E OR F

DESIGN PRESSURE RATING	IMPACT RATING
±60.0PSF	LARGE MISSILE IMPACT

MISSILE LEVEL D, WIND ZONE 4 AND HVHZ

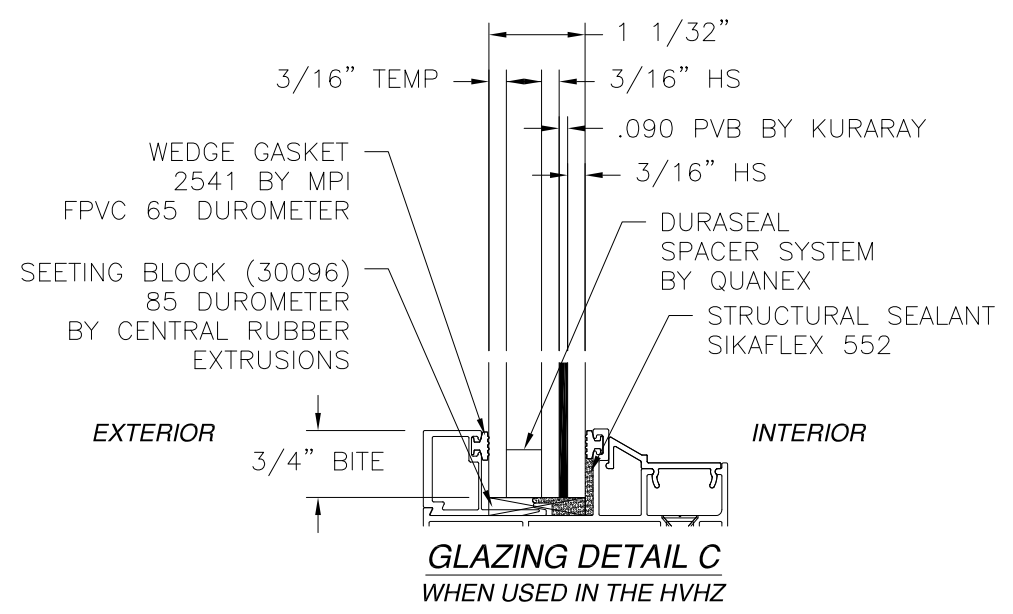
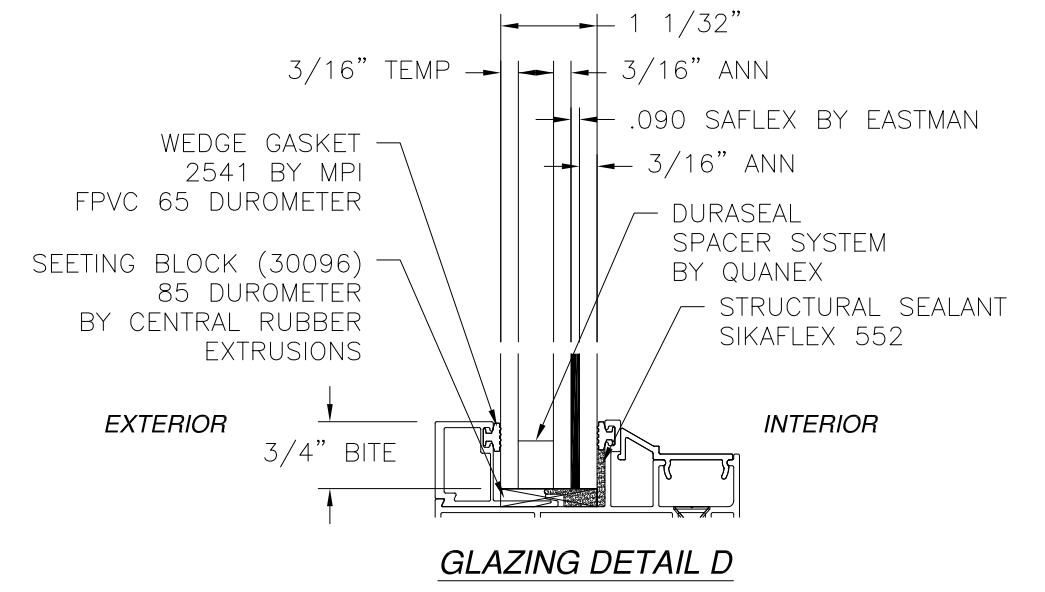
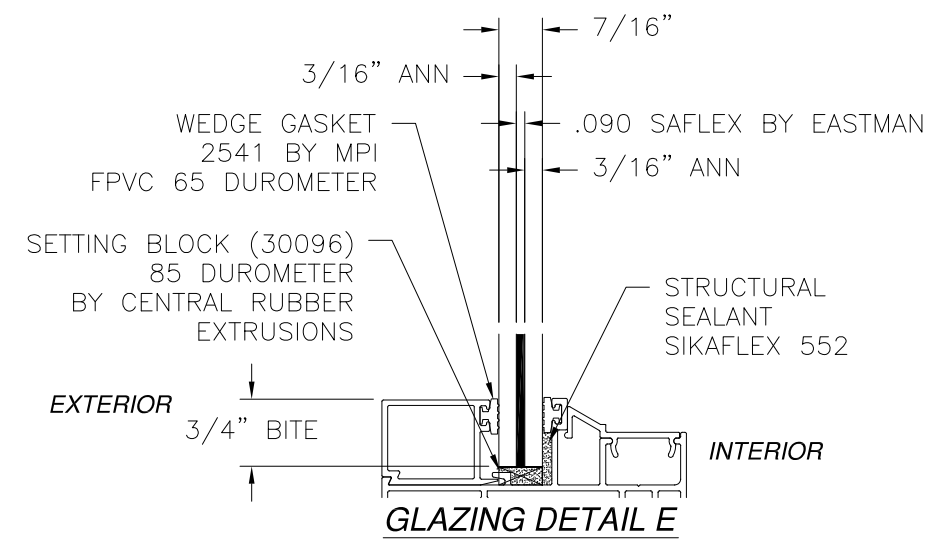
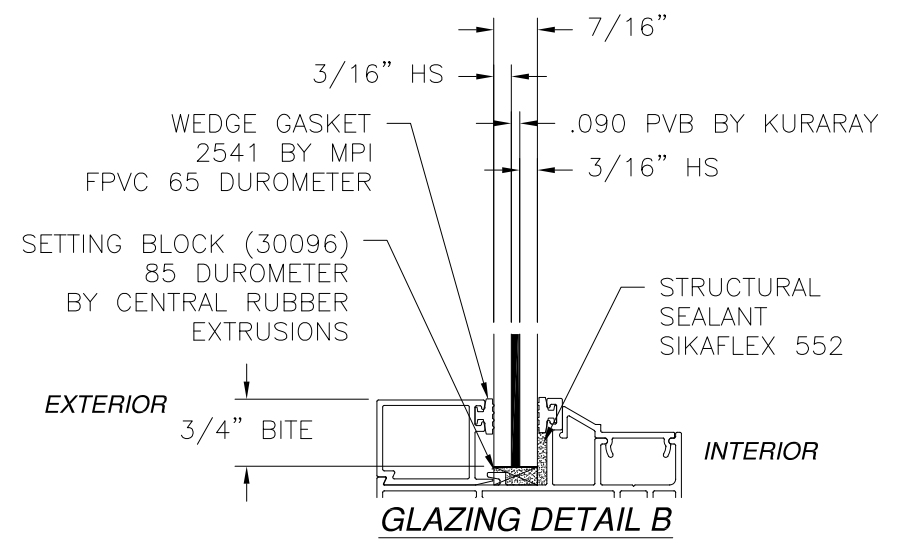
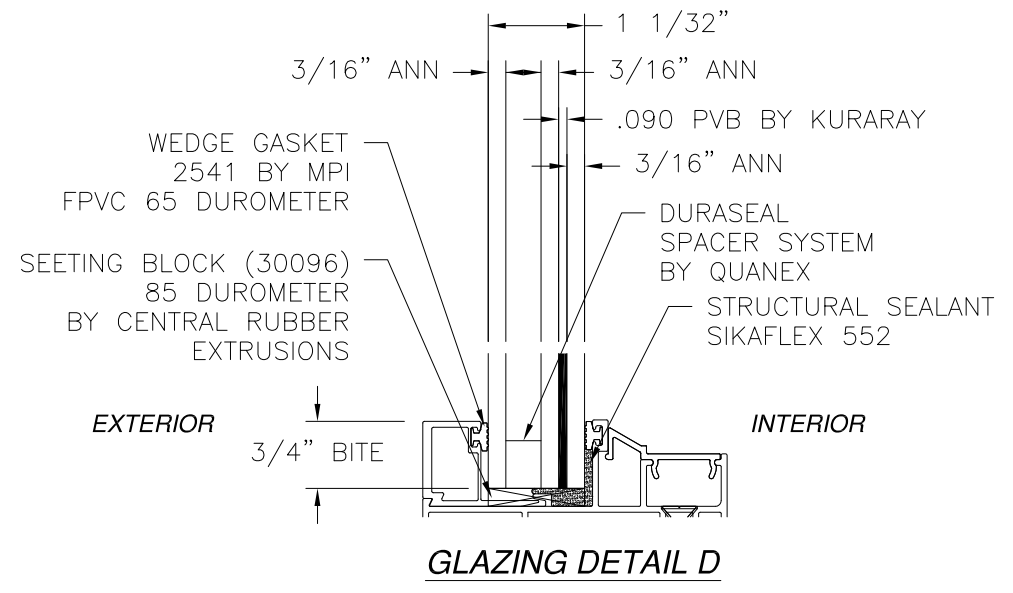
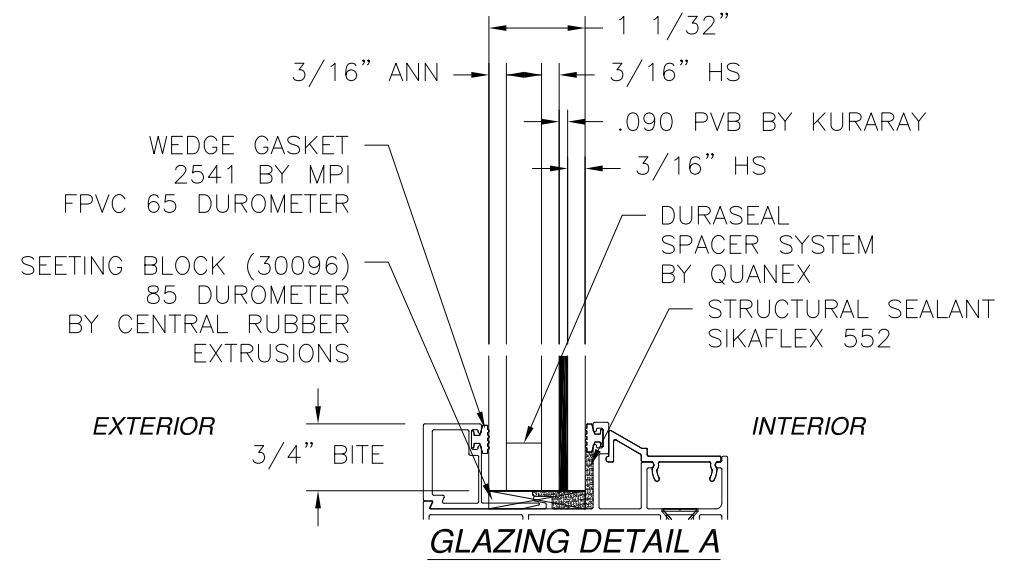
SIGNED: 11/06/2023

		EASTERN ARCHITECTURAL SYSTEMS A DIVISION OF EASTERN METAL SUPPLY 16341 DOMESTIC AVE FORT MYERS, FL 33912 800-432-2204	
SERIES 3000 ALUMINUM FIXED WINDOW IMPACT HVHZ PVB ELEVATIONS			
DRAWN: J.L.	DWG NO. 08-02310D	REV D	
SCALE NTS	DATE 07/24/14	SHEET 3 OF 8	
L. ROBERTO LOMAS P.E. 208 7th Ave, INDIALANTIC, FL 32903 434-688-0609 rllomas@lrlomaspe.com			



Luis R. Lomas P.E.
FL No.: 62514

REVISIONS			
REV	DESCRIPTION	DATE	APPROVED
D	ADDED GLASS D	11/03/23	R.L.



Eastern
ARCHITECTURAL SYSTEMS
ALUMINUM AND VINYL
IMPACT WINDOWS AND DOORS

EASTERN ARCHITECTURAL SYSTEMS
A DIVISION OF
EASTERN METAL SUPPLY
16341 DOMESTIC AVE
FORT MYERS, FL 33912
800-432-2204

SERIES 3000 ALUMINUM FIXED WINDOW
IMPACT HVHZ PVB
GLAZING DETAILS

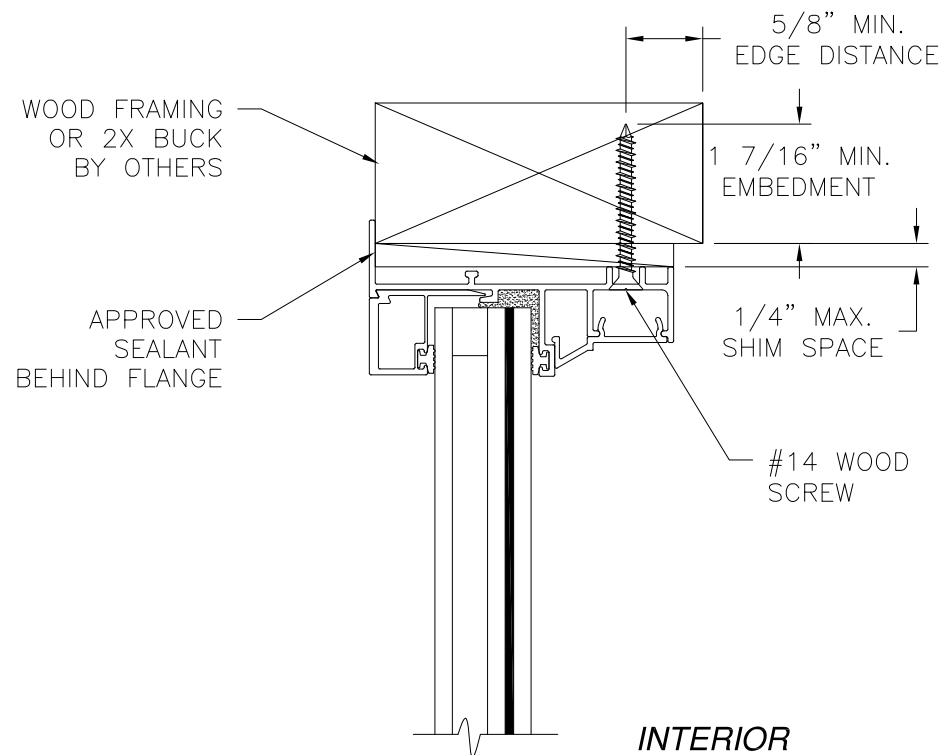
DRAWN: J.L.	DWG NO. 08-02310D	REV D
SCALE NTS	DATE 07/24/14	SHEET 4 OF 8

L. ROBERTO LOMAS P.E.
208 7th Ave, INDIALANTIC, FL 32903
434-688-0609 rllomas@rlomaspe.com

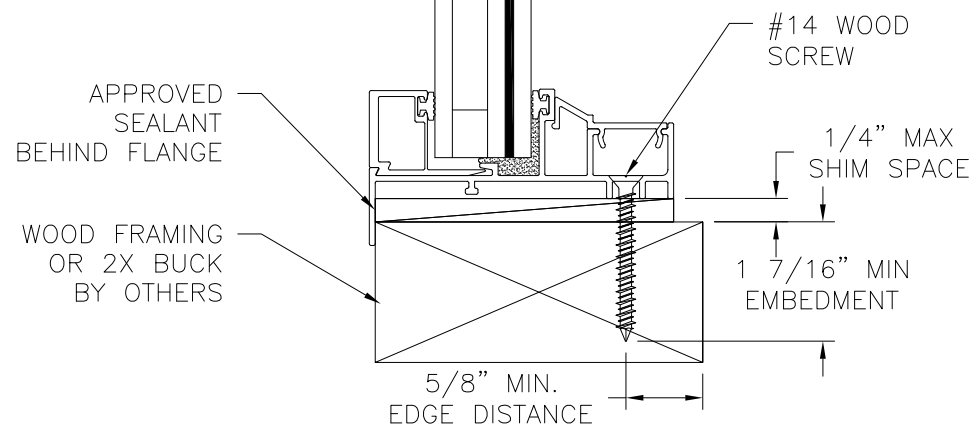
SIGNED: 11/06/2023



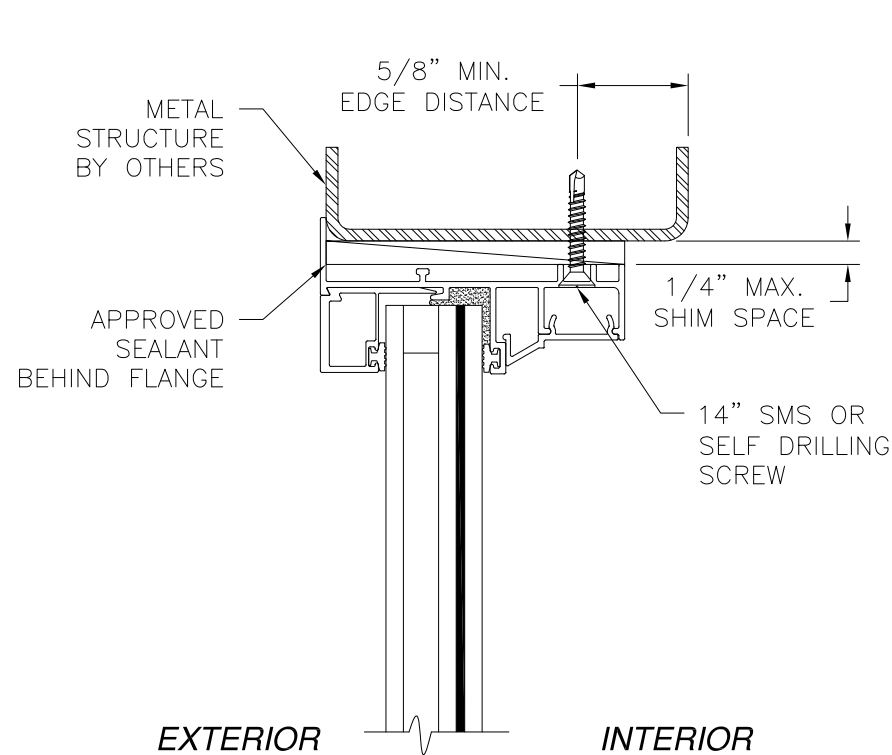
Luis R. Lomas P.E.
FL No.: 62514



EXTERIOR

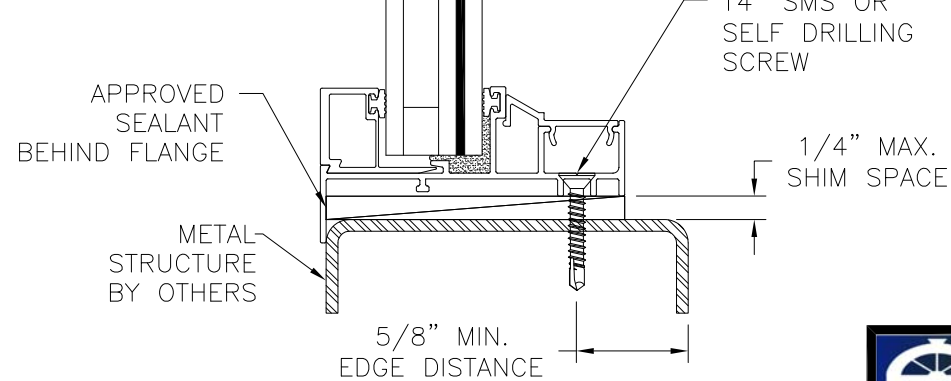


VERTICAL CROSS SECTION
WOOD FRAMING OR 2X BUCK INSTALLATION



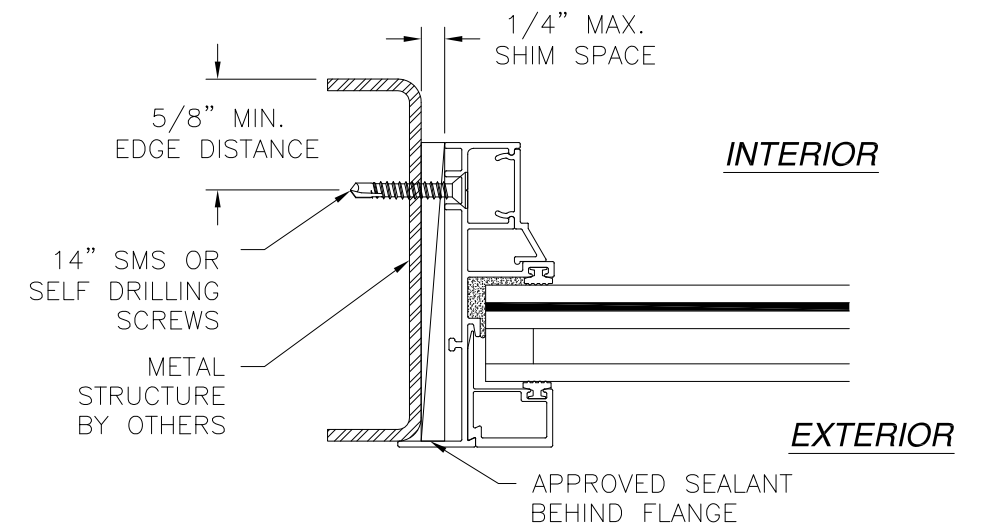
EXTERIOR

INTERIOR

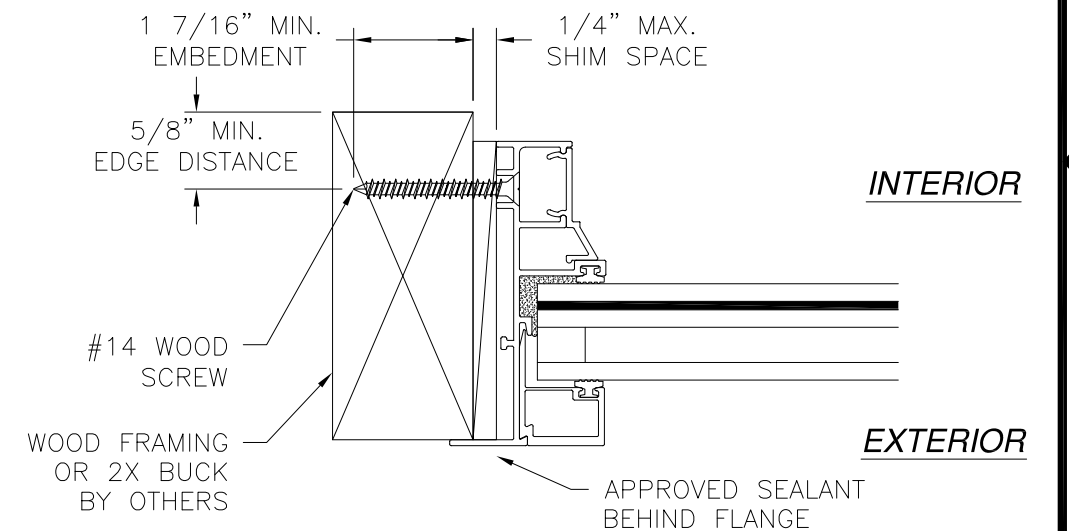


VERTICAL CROSS SECTION
METAL STRUCTURE INSTALLATION

REVISIONS			
REV	DESCRIPTION	DATE	APPROVED
D	ADDED GLASS D	11/03/23	R.L.



JAMB INSTALLATION DETAIL
METAL STRUCTURE INSTALLATION



JAMB INSTALLATION DETAIL
WOOD FRAMING OR 2X BUCK INSTALLATION

SIGNED: 11/06/2023

- NOTES:**
1. INTERIOR AND EXTERIOR FINISHES, BY OTHERS, NOT SHOWN FOR CLARITY.
 2. PERIMETER AND JOINT SEALANT BY OTHERS TO BE DESIGNED IN ACCORDANCE WITH ASTM E2112

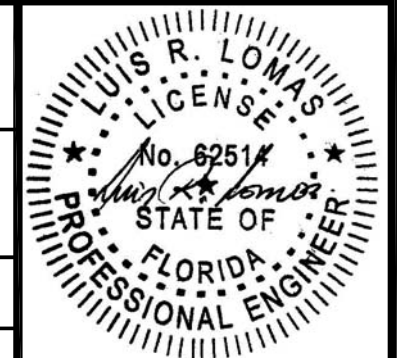


EASTERN ARCHITECTURAL SYSTEMS
A DIVISION OF
EASTERN METAL SUPPLY
16341 DOMESTIC AVE
FORT MYERS, FL 33912
800-432-2204

**SERIES 3000 ALUMINUM FIXED WINDOW
IMPACT HVHZ PVB
FLANGE INSTALLATION DETAILS**

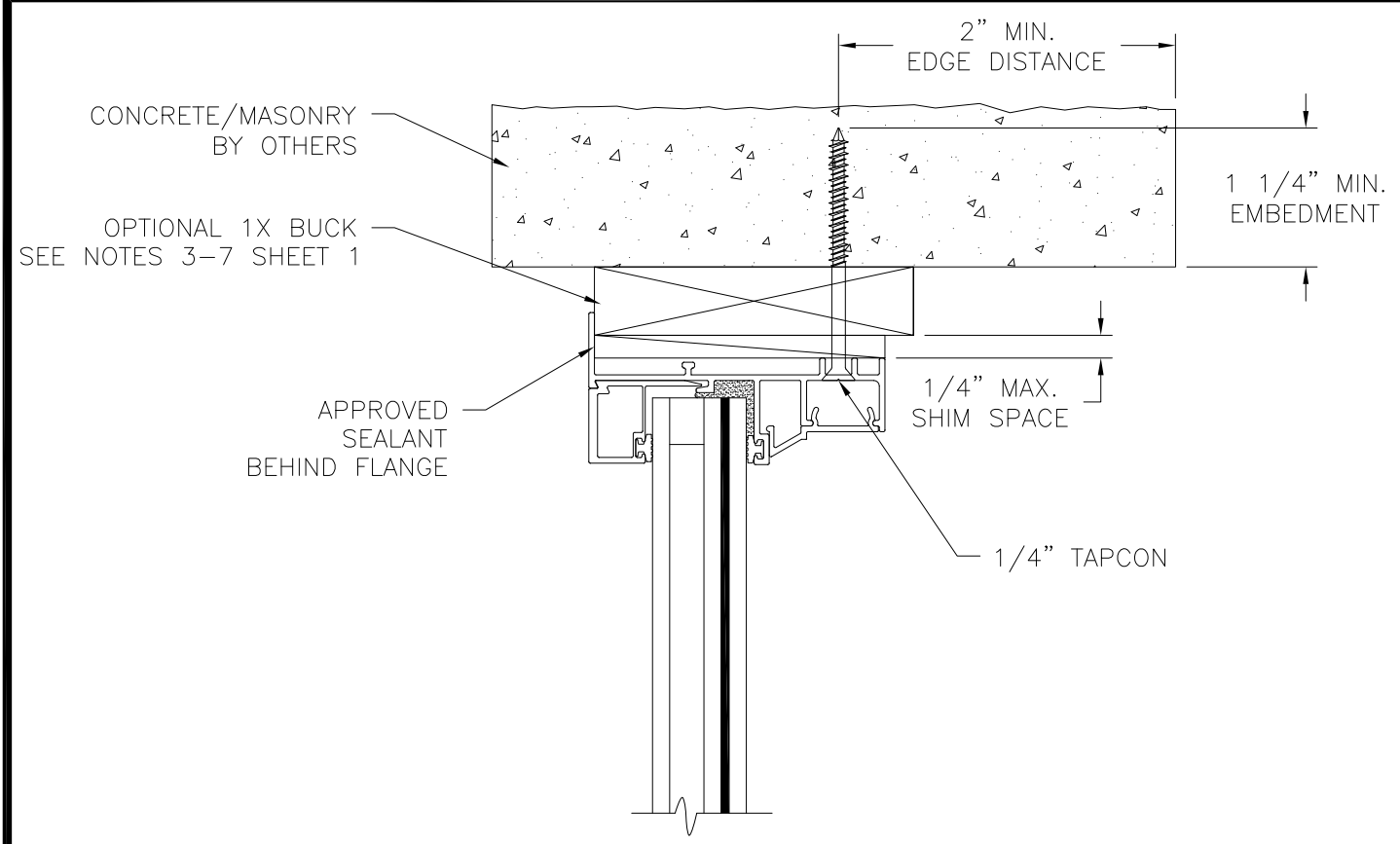
DRAWN: J.L.	DWG NO. 08-02310D	REV D
SCALE NTS	DATE 07/24/14	SHEET 5 OF 8

L. ROBERTO LOMAS P.E.
 208 7th Ave, INDIALANTIC, FL 32903
 434-688-0609 rllomas@rlomaspe.com



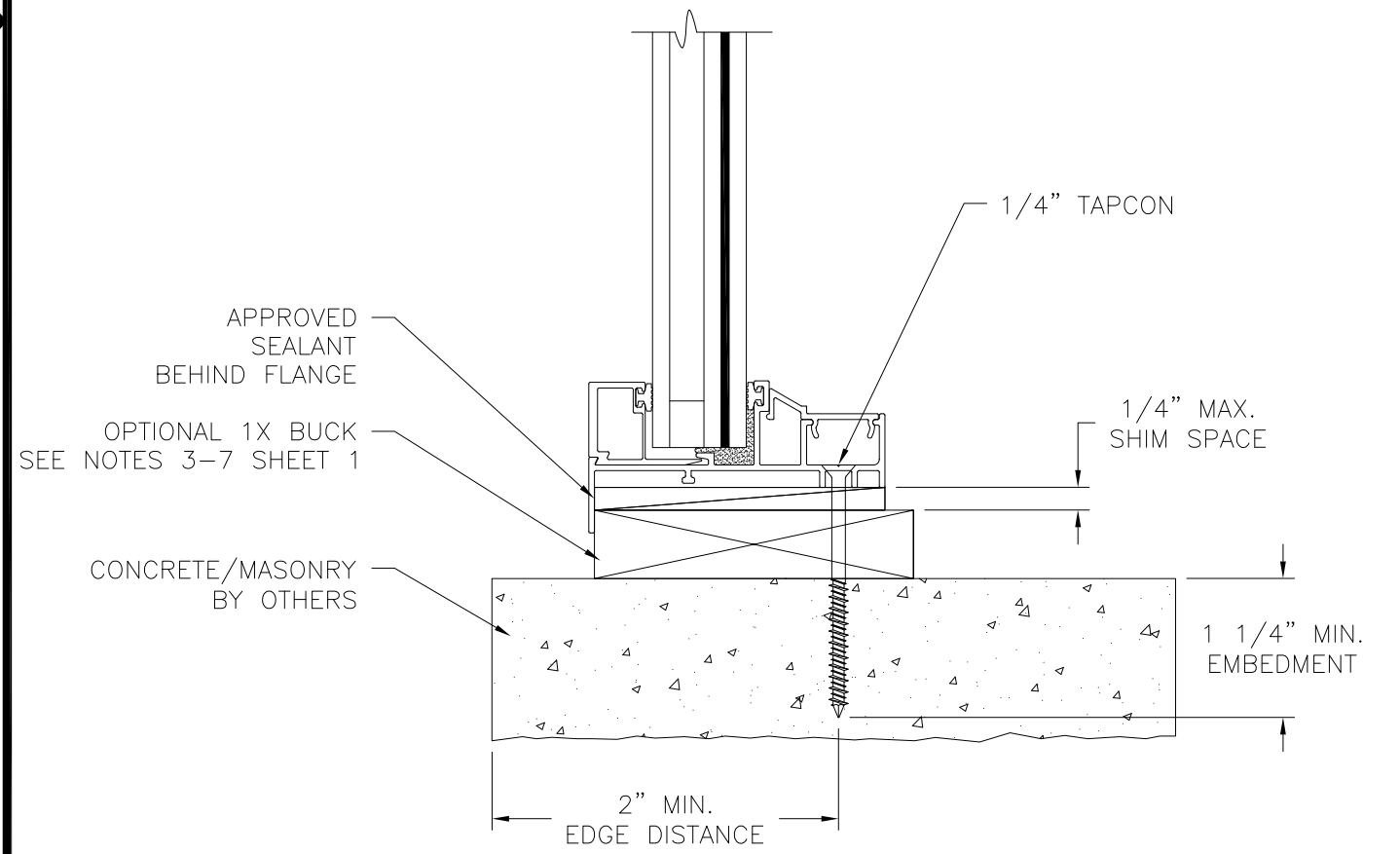
Luis R. Lomas P.E.
FL No.: 62514

REVISIONS			
REV	DESCRIPTION	DATE	APPROVED
D	ADDED GLASS D	11/03/23	R.L.

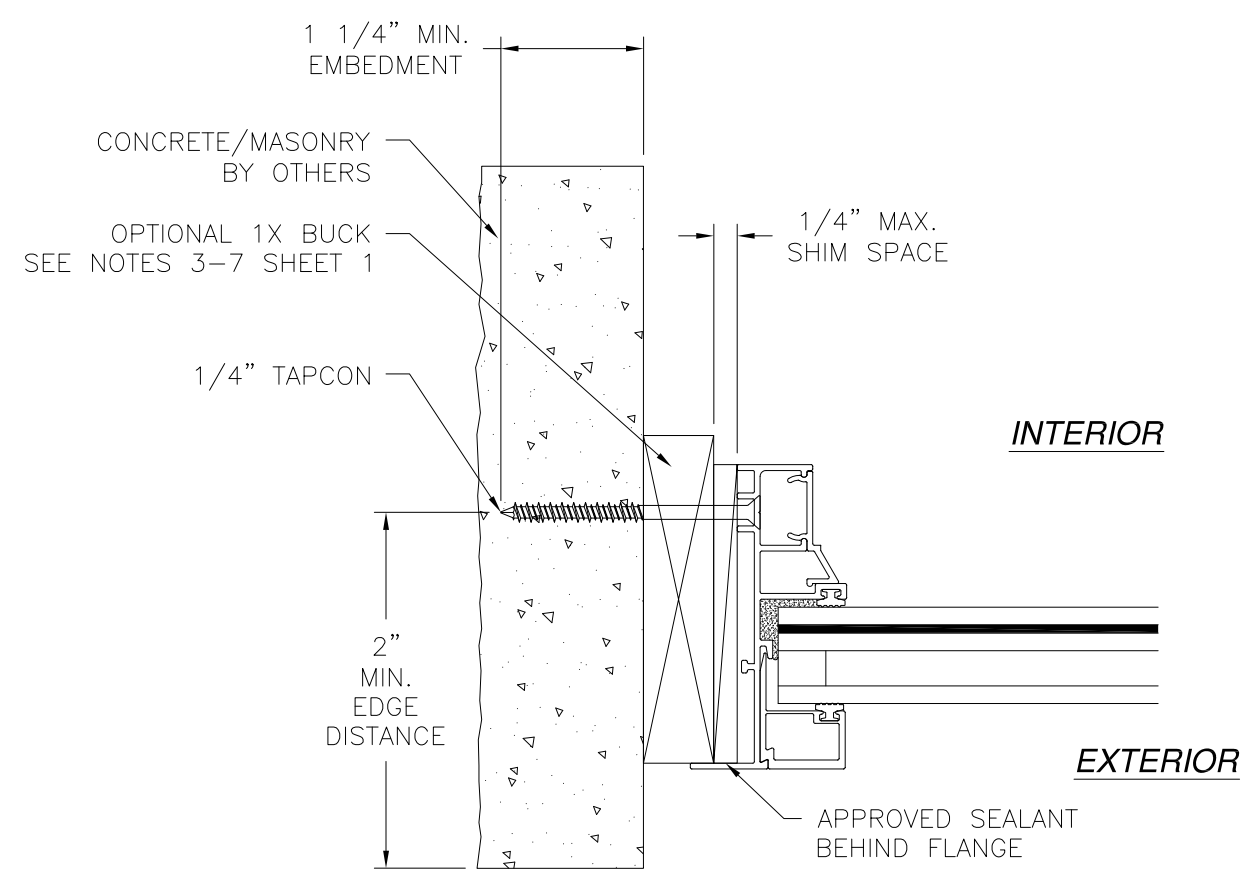


EXTERIOR

INTERIOR



**VERTICAL CROSS SECTION
CONCRETE/MASONRY INSTALLATION**

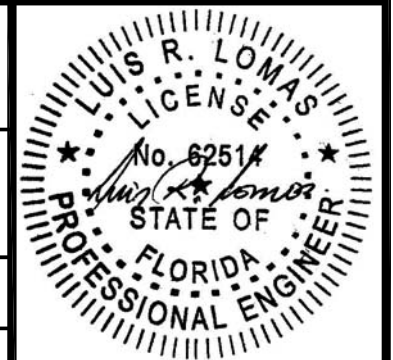


**JAMB INSTALLATION DETAIL
CONCRETE/MASONRY INSTALLATION**

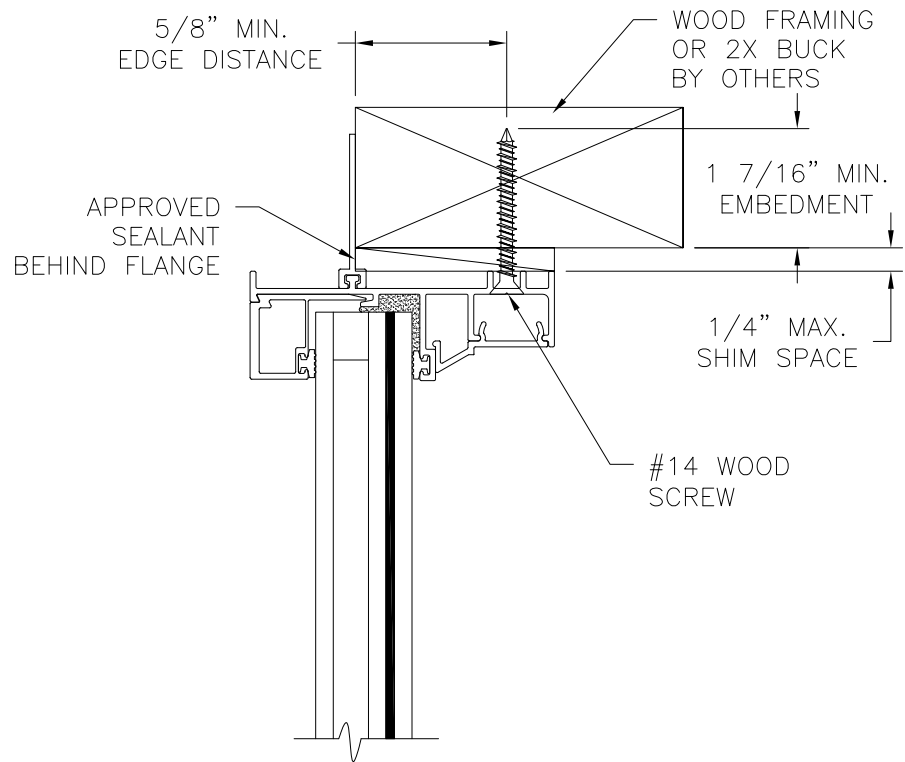
- NOTES:**
1. INTERIOR AND EXTERIOR FINISHES, BY OTHERS, NOT SHOWN FOR CLARITY.
 2. PERIMETER AND JOINT SEALANT BY OTHERS TO BE DESIGNED IN ACCORDANCE WITH ASTM E2112

SIGNED: 11/06/2023

		EASTERN ARCHITECTURAL SYSTEMS A DIVISION OF EASTERN METAL SUPPLY 16341 DOMESTIC AVE FORT MYERS, FL 33912 800-432-2204	
SERIES 3000 ALUMINUM FIXED WINDOW IMPACT HVHZ PVB FLANGE INSTALLATION DETAILS			
DRAWN: J.L.	DWG NO. 08-02310D	REV D	
SCALE NTS	DATE 07/24/14	SHEET 6 OF 8	
L. ROBERTO LOMAS P.E. 208 7th Ave, INDIALANTIC, FL 32903 434-688-0609 rllomas@rlomaspe.com			

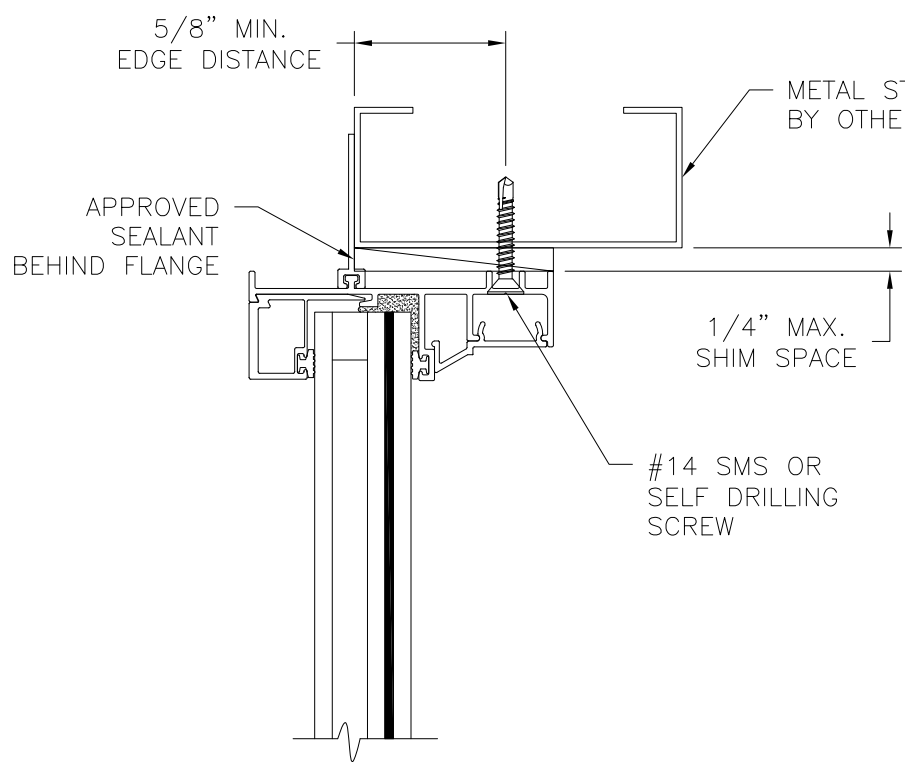


Luis R. Lomas P.E.
FL No.: 62514



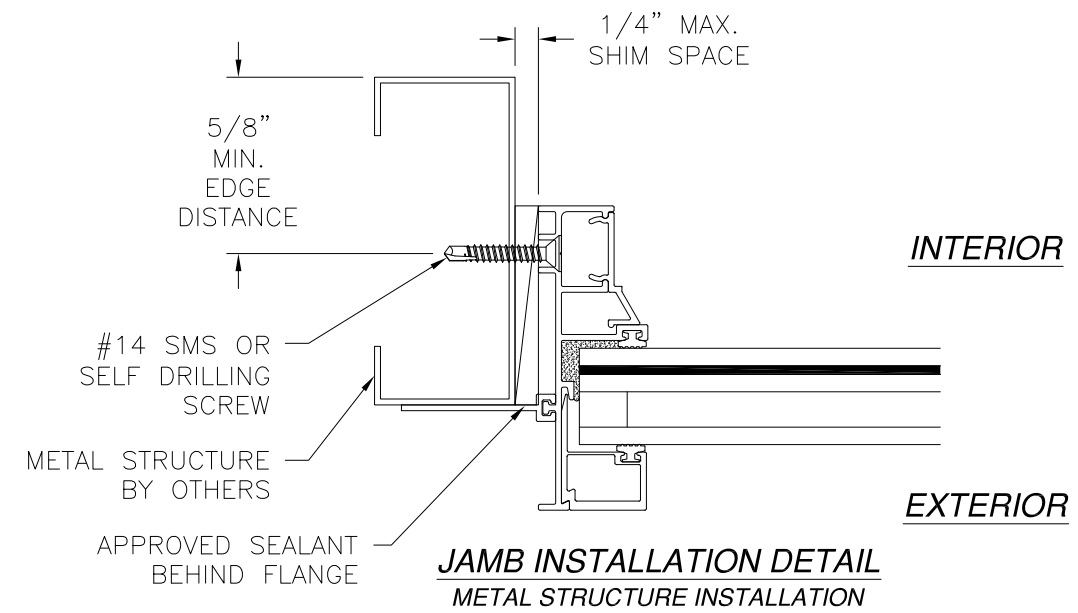
EXTERIOR

INTERIOR

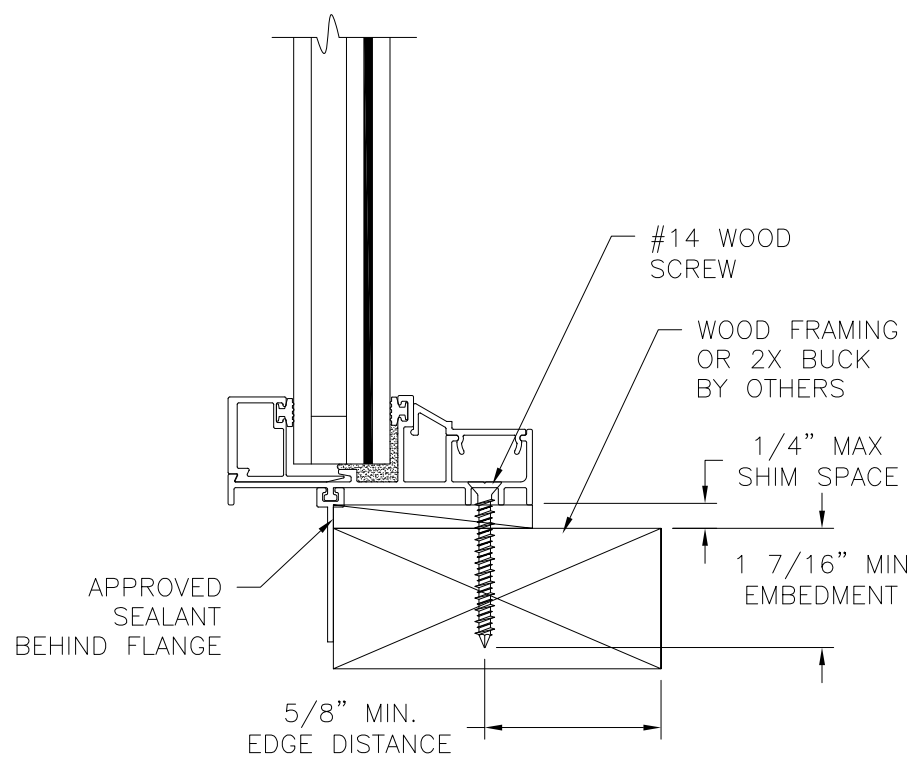


EXTERIOR

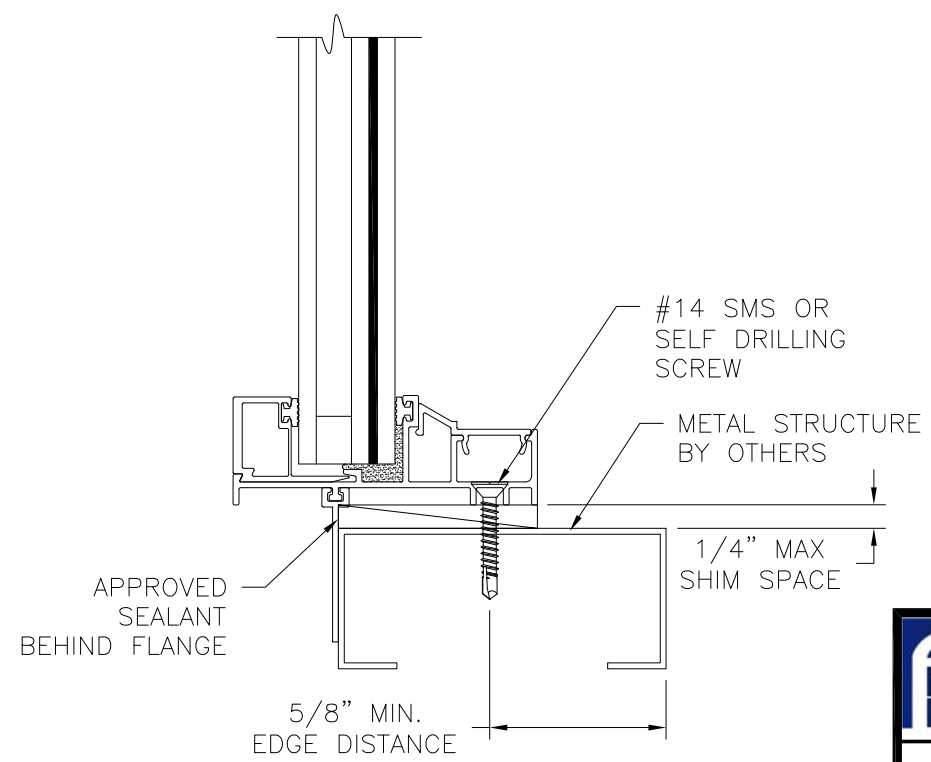
INTERIOR



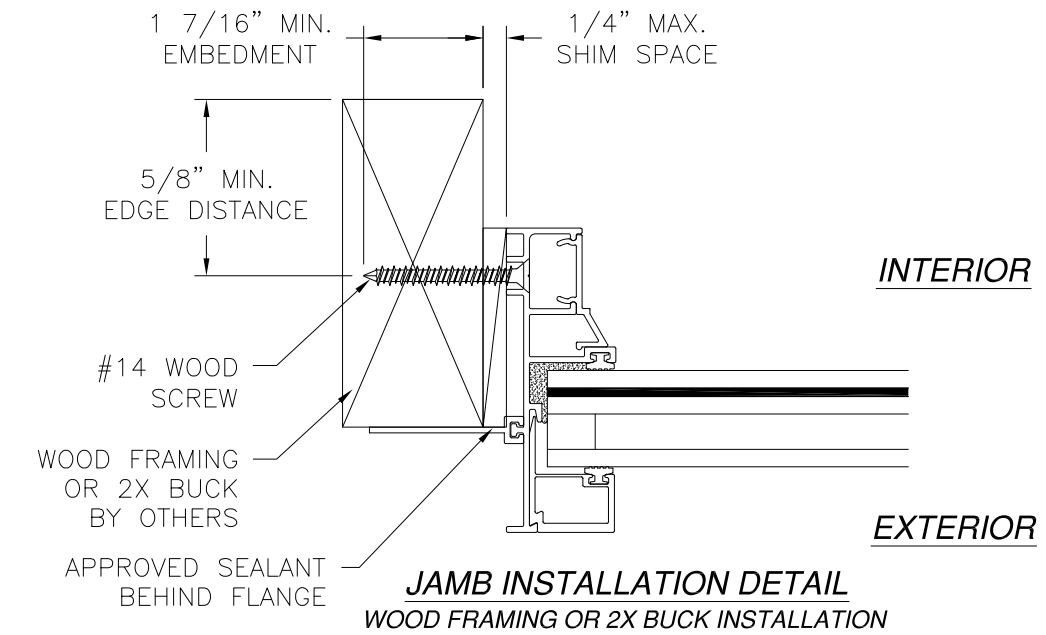
JAMB INSTALLATION DETAIL
METAL STRUCTURE INSTALLATION



VERTICAL CROSS SECTION
WOOD FRAMING OR 2X BUCK INSTALLATION



VERTICAL CROSS SECTION
METAL STRUCTURE INSTALLATION



JAMB INSTALLATION DETAIL
WOOD FRAMING OR 2X BUCK INSTALLATION

REVISIONS			
REV	DESCRIPTION	DATE	APPROVED
D	ADDED GLASS D	11/03/23	R.L.

SIGNED: 11/06/2023

NOTES:
 1. INTERIOR AND EXTERIOR FINISHES, BY OTHERS, NOT SHOWN FOR CLARITY.
 2. PERIMETER AND JOINT SEALANT BY OTHERS TO BE DESIGNED IN ACCORDANCE WITH ASTM E2112

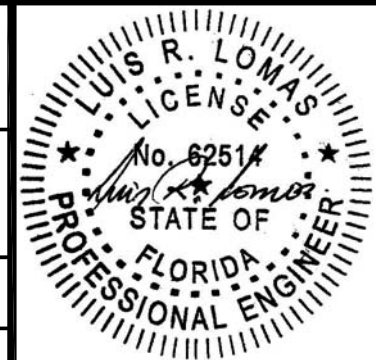
Eastern
ARCHITECTURAL SYSTEMS
ALUMINUM AND VINYL
IMPACT WINDOWS AND DOORS

EASTERN ARCHITECTURAL SYSTEMS
A DIVISION OF
EASTERN METAL SUPPLY
16341 DOMESTIC AVE
FORT MYERS, FL 33912
800-432-2204

SERIES 3000 ALUMINUM FIXED WINDOW
IMPACT HVHZ PVB
SLIP-ON FIN INSTALLATION DETAILS

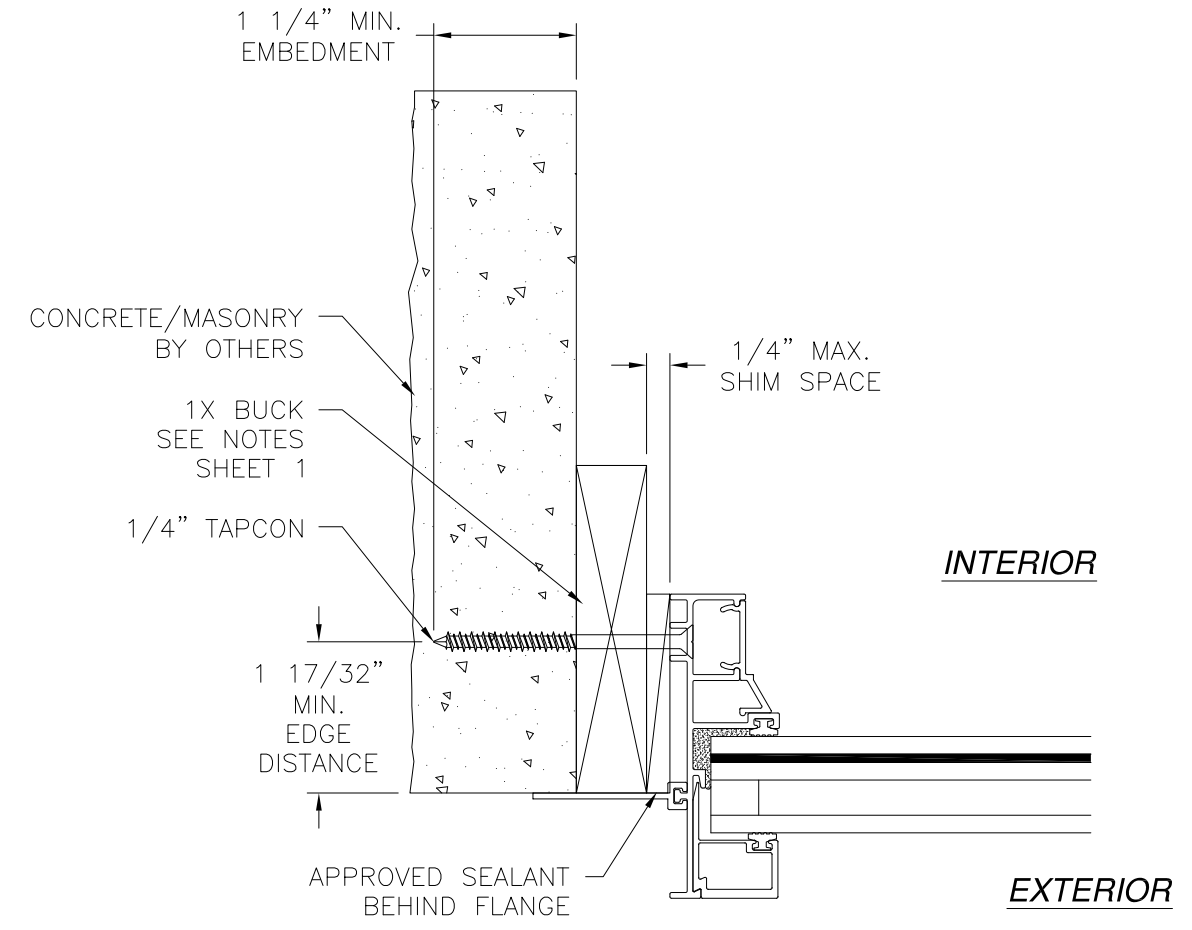
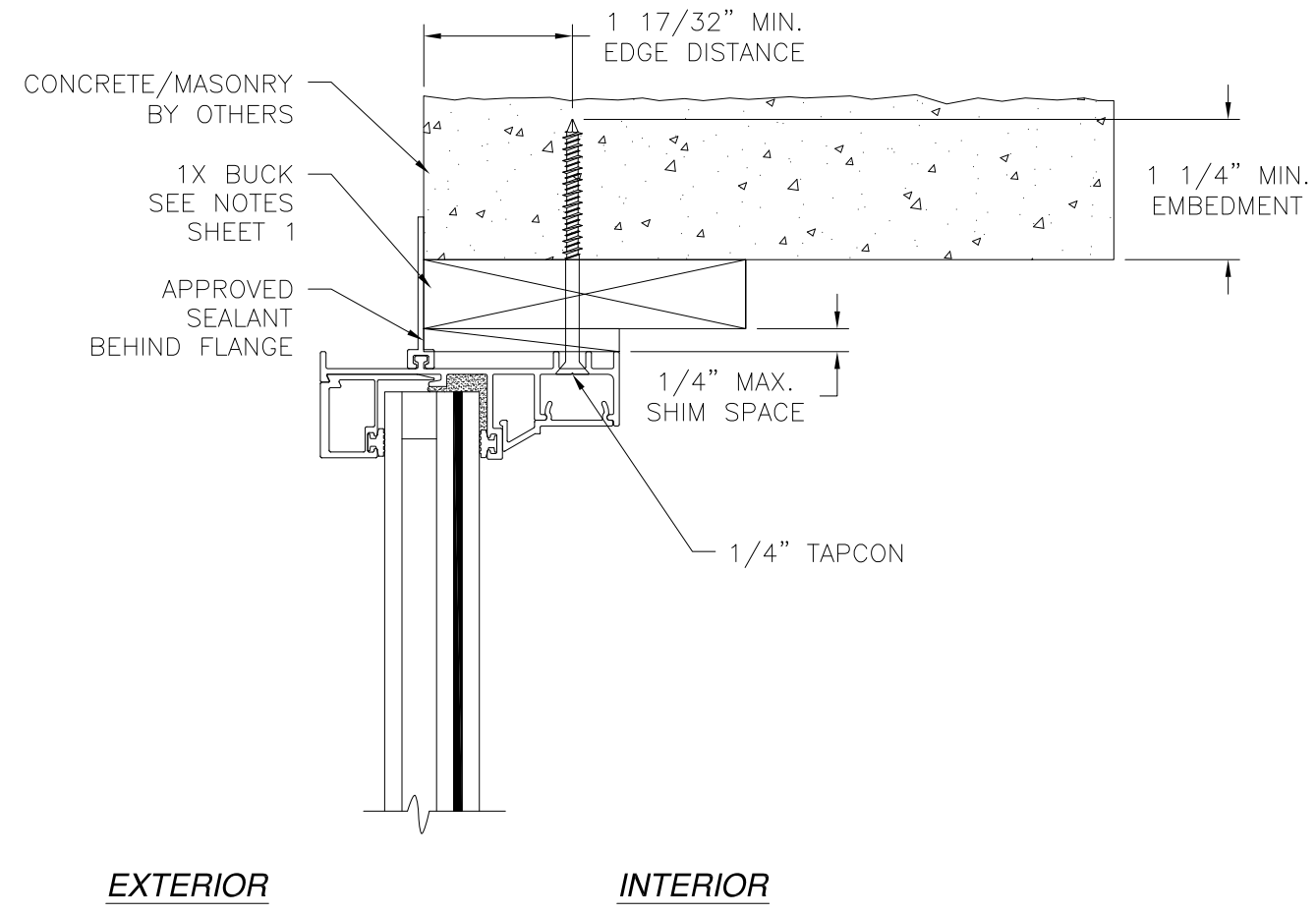
DRAWN: J.L.	DWG NO. 08-02310D	REV D
SCALE NTS	DATE 07/24/14	SHEET 7 OF 8

L. ROBERTO LOMAS P.E.
 208 7th Ave, INDIALANTIC, FL 32903
 434-688-0609 rllomas@rlomaspe.com

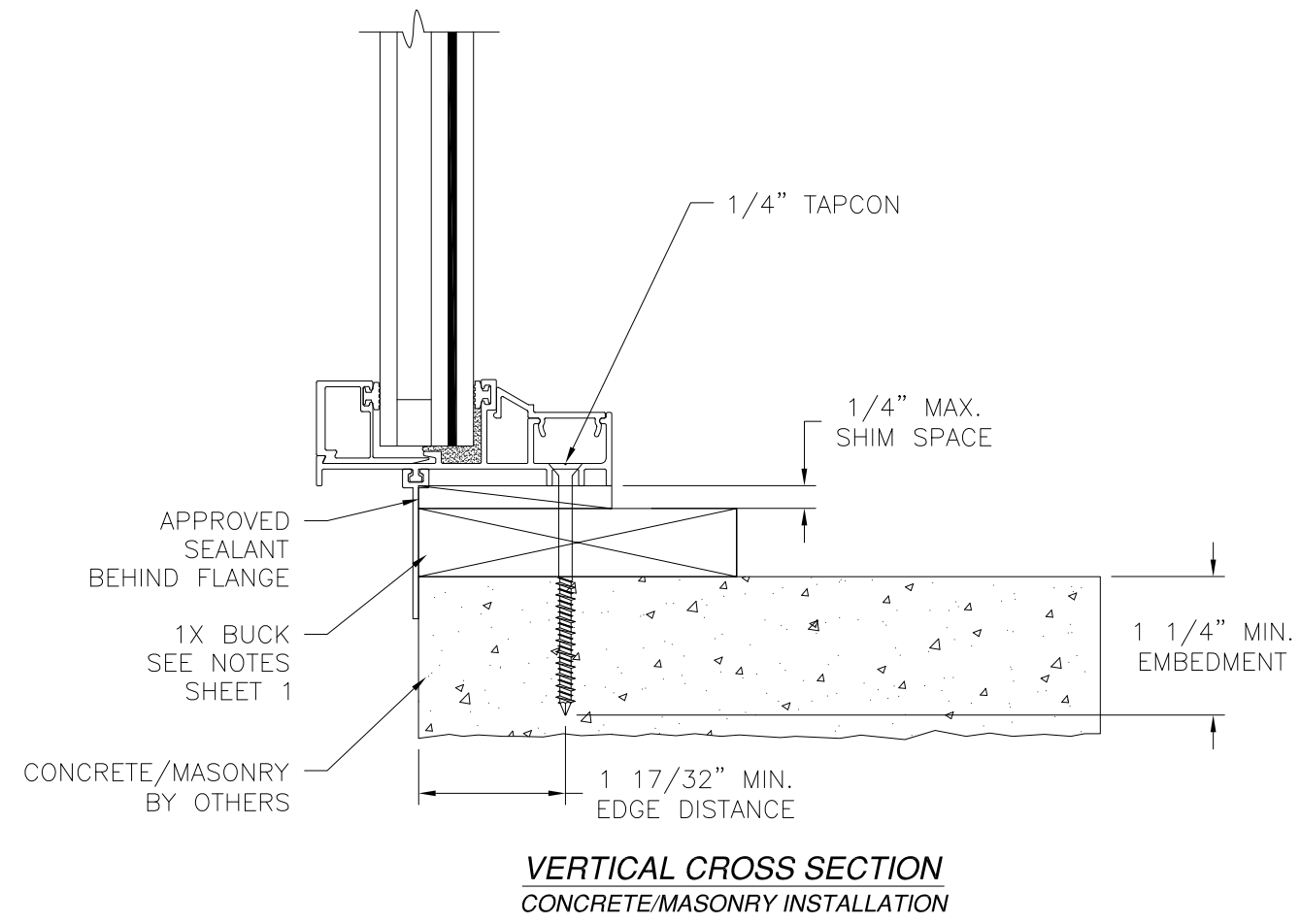


Luis R. Lomas P.E.
 FL No.: 62514

REVISIONS			
REV	DESCRIPTION	DATE	APPROVED
D	ADDED GLASS D	11/03/23	R.L.



JAMB INSTALLATION DETAIL
CONCRETE/MASONRY INSTALLATION

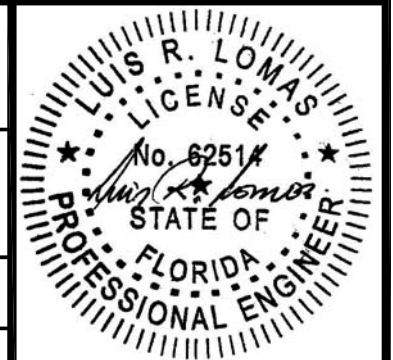


VERTICAL CROSS SECTION
CONCRETE/MASONRY INSTALLATION

- NOTES:**
1. INTERIOR AND EXTERIOR FINISHES, BY OTHERS, NOT SHOWN FOR CLARITY.
 2. PERIMETER AND JOINT SEALANT BY OTHERS TO BE DESIGNED IN ACCORDANCE WITH ASTM E2112

SIGNED: 11/06/2023

		EASTERN ARCHITECTURAL SYSTEMS A DIVISION OF EASTERN METAL SUPPLY 16341 DOMESTIC AVE FORT MYERS, FL 33912 800-432-2204	
SERIES 3000 ALUMINUM FIXED WINDOW IMPACT HVHZ PVB SLIP-ON FIN INSTALLATION DETAILS			
DRAWN: J.L.	DWG NO. 08-02310D	REV D	
SCALE NTS	DATE 07/24/14	SHEET 8 OF 8	
L. ROBERTO LOMAS P.E. 208 7th Ave, INDIALANTIC, FL 32903 434-688-0609 rllomas@rlomaspe.com			



Luis R. Lomas P.E.
FL No.: 62514