

ELEVATION: GLASS TYPES G-1 AND G-2

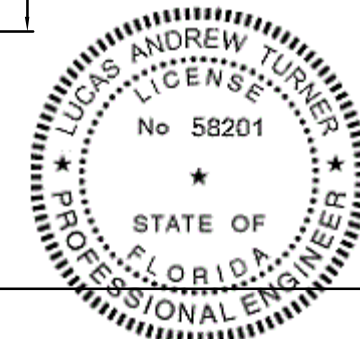
TUBELITE
 SERIES E34000
 STOREFRONT SYSTEM
 LARGE MISSILE IMPACT

3058 WALKER RIDGE DRIVE N.W.
 WALKER, MICHIGAN 49544
 PH: 800.566.2227
 FX: 916.301.0099
 WEB SITE: WWW.TUBELITEINC.COM

TUBELITE
 DEPENDABLE
 LEADERS IN ECO-EFFICIENT STOREFRONT
 CURTAINWALL AND ENTRANCE SYSTEMS

REVISION HISTORY:

REV	DATE	DRAWN	DESCRIPTION
0	8.19.14	LT	ORIGINAL RELEASE
1	8.17.18	LT	UPDATE BOM, TAB. B



8/17/2018
 LUCAS A. TURNER, P.E.
 FL PE # 58201
 TURNER ENGINEERING &
 CONSULTING, INC.
 (COA # 29779)
 2428 OLD NATCHEZ TRACE
 TRL., CAMDEN, TN 38320
 PH. 941-380-1574

DATE: 08.17.18
 DRAWING NUMBER: FPA-E34000-LM
 DRAWN:
 FINAL REVIEW:
 SCALE: N.T.S.
 REVISION: A
 SHEET NAME: TABLE ELEVATION
 SHEET: 1 OF 9

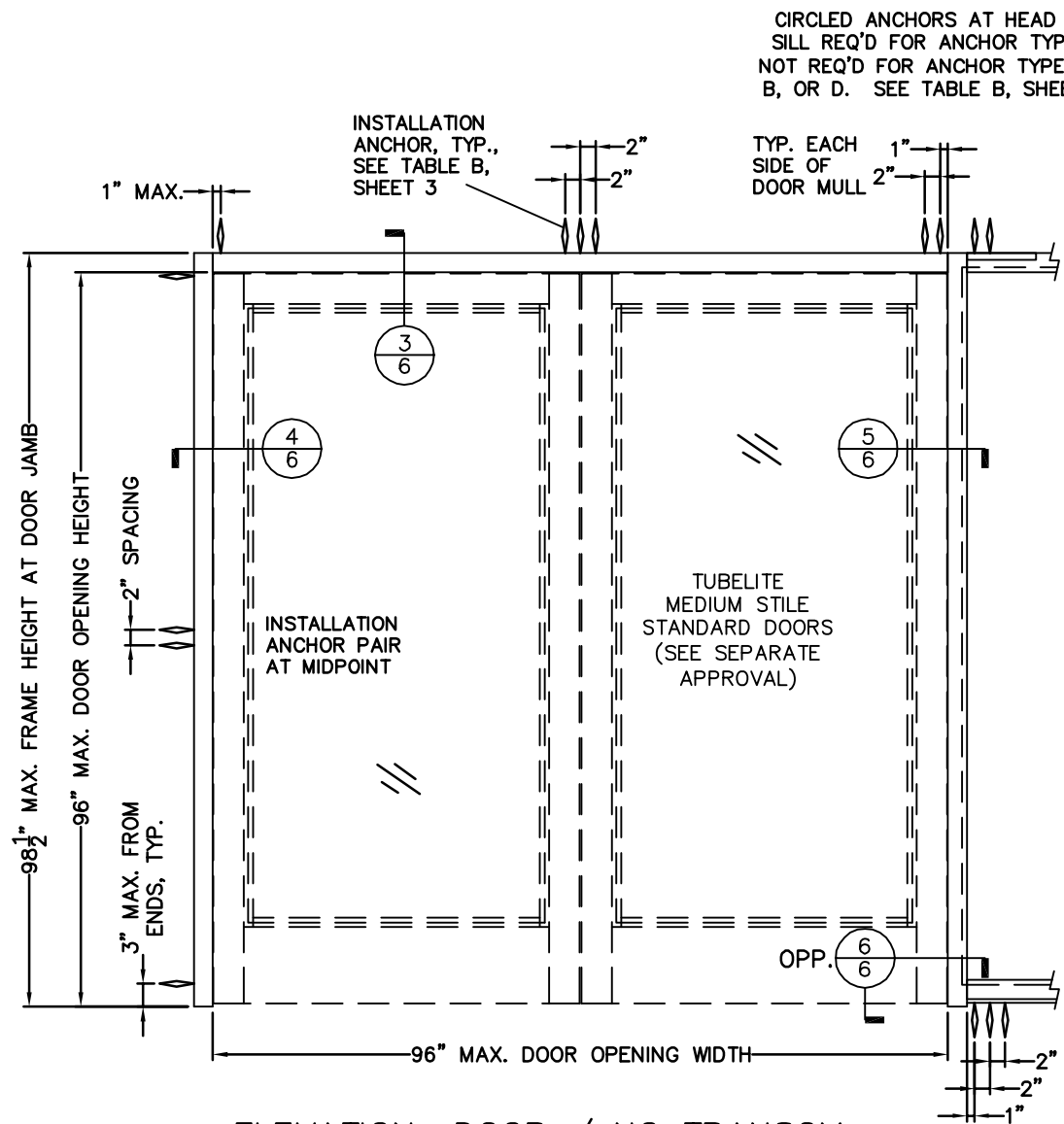
TABLE A. DESIGN PRESSURES AND QUALIFIED OPTIONS

DESIGN PRESSURE RATING	IMPACT RATING	GLASS TYPE	GLAZING DESCRIPTION ^{1,2,3}	WET OR DRY GLAZED	MAX. D.L.O. HEIGHT	MAX. FRAME HEIGHT	REQ'D VERT. MULLION	DOOR ALLOWED	TRANSOM ALLOWED
+70/-68 PSF	LARGE AND SMALL MISSILE IMPACT	G-1	1/4" T + 1/2" AIR + 1/4" HS .077 VS02 1/4" HS	WET	118-3/4"	123-3/4"	HD (E34261)	YES	YES
+70/-68 PSF	LARGE AND SMALL MISSILE IMPACT	G-2	1/4" T + 1/2" AIR + 1/4" HS .090 SGP 1/4" HS	WET	118-3/4"	123-3/4"	HD (E34261)	YES	YES
+70/-68 PSF	LARGE AND SMALL MISSILE IMPACT	G-2	1/4" T + 1/2" AIR + 1/4" HS .090 SGP 1/4" HS	DRY	118-3/4"	123-3/4"	HD (E34261)	NO	-
+70/-61 PSF	LARGE AND SMALL MISSILE IMPACT	G-2	1/4" T + 1/2" AIR + 1/4" HS .090 SGP 1/4" HS	DRY	118-3/4"	123-3/4"	HD (E34261)	YES	YES
+/-50 PSF	LARGE AND SMALL MISSILE IMPACT	G-3	1/4" T + 1/2" AIR + 1/4" HS .090 PVB 1/4" HS	WET	94-3/4"	99-3/4"	STND. (E34441)	YES	NO

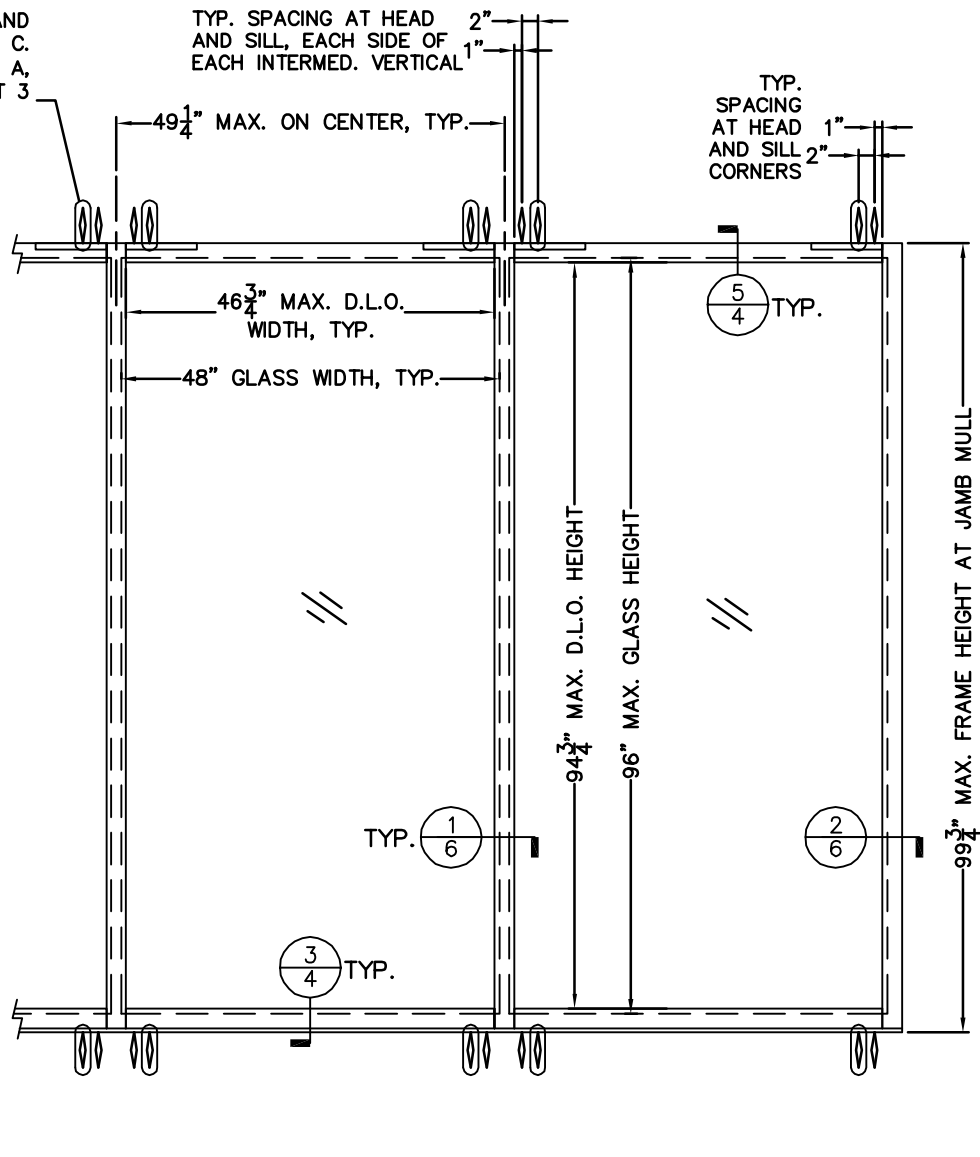
¹ VS02 INDICATES EASTMAN SAFLEX CP INTERLAYER WITH PET CORE (FORMERLY VANCEVA STORM VS-02)

² SGP INDICATES KURARAY SENTRYGLAS INTERLAYER (FORMERLY DUPONT SENTRYGLAS PLUS)

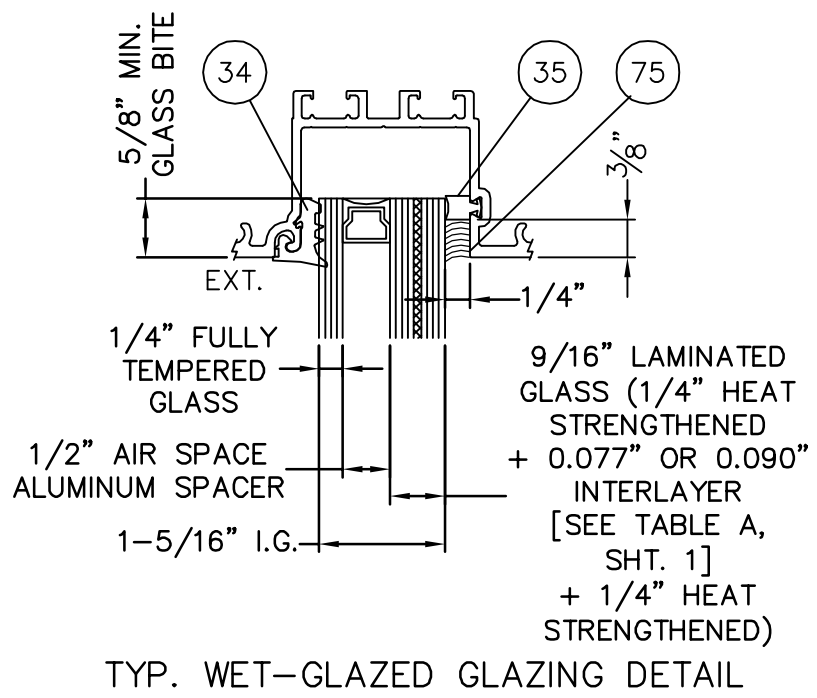
³ PVB INDICATES KURARAY BUTACITE PVB INTERLAYER (FORMERLY DUPONT)



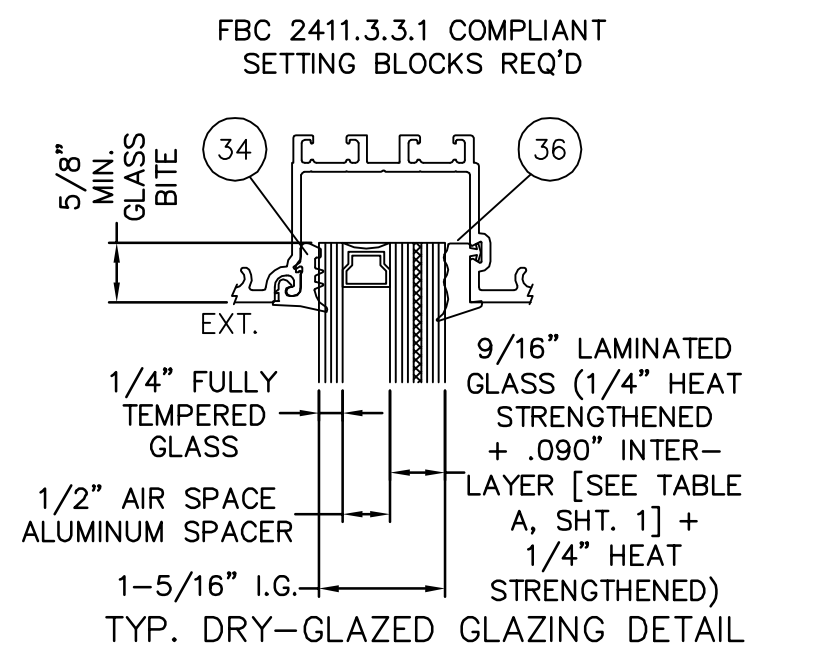
ELEVATION: DOOR / NO TRANSOM
(ANY WET-GLAZED GLASS TYPE)



ELEVATION: GLASS TYPE G-3



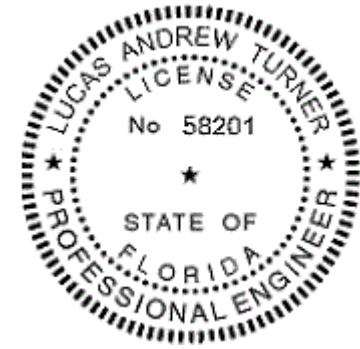
TYP. WET-GLAZED GLAZING DETAIL



TYP. DRY-GLAZED GLAZING DETAIL

GENERAL NOTES:

1. THIS PRODUCT HAS BEEN TESTED TO ASTM E 283, ASTM E 330, ASTM E 331, AAMA 501.1 , ASTM E1886/1996, AND TAS 201/202/203, AND MEETS THE REQUIREMENTS OF THE FLORIDA BUILDING CODE, CURRENT EDITION, INCLUDING THE HIGH VELOCITY HURRICANE ZONE.
2. THIS PRODUCT IS LARGE MISSILE IMPACT RESISTANT AND DOES NOT REQUIRE THE USE OF SHUTTERS IN WINDBORNE DEBRIS REGIONS.
3. THIS PRODUCT MAY BE INSTALLED IN UNLIMITED WIDTHS PROVIDED THE MAXIMUM VERTICAL ON-CENTER AND DLO WIDTHS ARE NOT EXCEEDED.
4. THE DESIGN PRESSURE RATINGS OF THIS PRODUCT AS DETAILED IN TABLE A, THIS SHEET, ARE AS LIMITED BY ASTM E-1300 04E01/09 GLASS TABLES, WATER PERFORMANCE, TESTED PRESSURES, AND COMPARATIVE ANALYSIS.
5. SEALING AND FLASHING STRATEGIES FOR OVERALL WATER PERFORMANCE OF INSTALLED PRODUCTS SHALL BE IN ACCORDANCE WITH MANUFACTURER'S PUBLISHED INSTRUCTIONS AND ARE THE RESPONSIBILITY OF OTHERS.
6. THE 4/3 ALLOWABLE STRESS INCREASE HAS NOT BEEN USED IN THE ANCHOR ANALYSIS FOR THIS SYSTEM. THE 1.6 Cd FACTOR WAS USED IN THE ANALYSIS OF WOOD SUBSTRATE ONLY.
7. STRUCTURAL SUITABILITY OF THE OPENING TO RECEIVE LOADS IMPARTED FROM THIS PRODUCT TO BE VERIFIED BY THE DESIGN PROFESSIONAL FOR EACH PROJECT. BUCKING, OPENINGS & BUCKING FASTENERS MUST BE PROPERLY DESIGNED & INSTALLED TO TRANSFER WIND LOADS TO THE STRUCTURE.
8. DISSIMILAR MATERIALS THAT COME INTO CONTACT, INCLUDING BUT NOT LIMITED TO FASTENERS IN PRESSURE TREATED WOOD, SHALL BE COATED OR OTHERWISE PROTECTED PER FBC TO PREVENT GALVANIC REACTIONS.
9. INSTALLATIONS SHALL BE IN ACCORDANCE WITH THESE DRAWINGS UNLESS OTHERWISE APPROVED BY A LICENSED DESIGN PROFESSIONAL.
10. SUB-SILL RUNS THROUGH EXCEPT THAT IT IS SEALED AND BUTTED TO DOOR JAMBS. VERTICALS/JAMBS RUN THROUGH, WHILE HEADS, SILLS, AND HORIZONTALS ARE CUT, SEALED WITH DOW 795, BUTTED, AND FASTENED TO VERTICALS/JAMBS WITH ITEM 67 SCREWS, QUANTITY AS SHOWN IN SECTION DETAILS. FOR INTERNAL JOINERY DETAILS NOT SHOWN IN THESE DRAWINGS, SEE MANUFACTURER'S PUBLISHED INSTALLATION INSTRUCTIONS.



8/17/2018
 LUCAS A. TURNER, P.E.
 FL PE # 58201
 TURNER ENGINEERING &
 CONSULTING, INC.
 (COA # 29779)
 2428 OLD NATCHEZ TRACE
 TR.L., CAMDEN, TN 38320
 PH. 941-380-1574

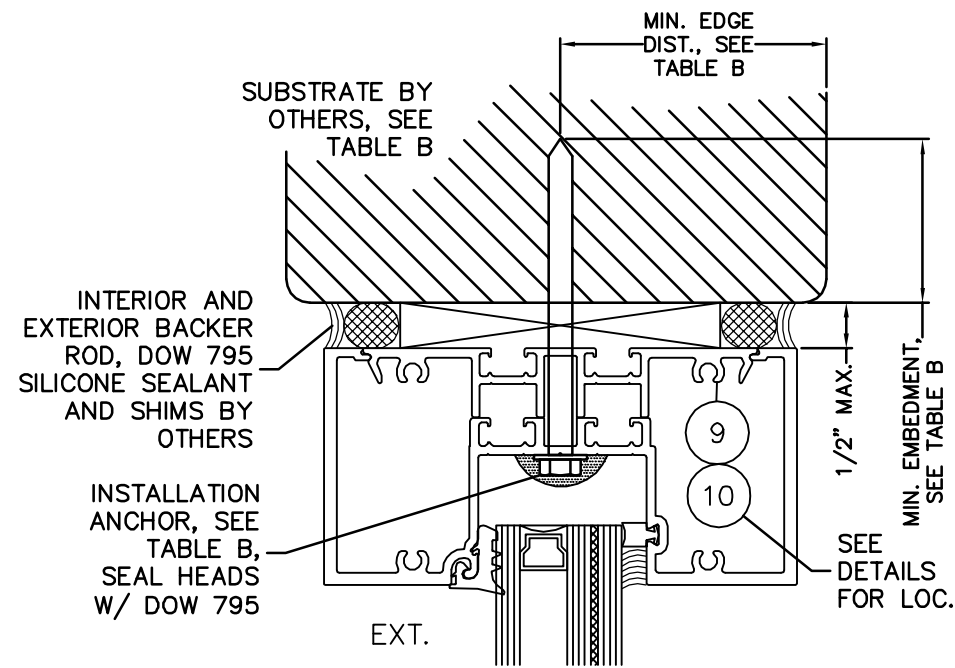
TUBELITE
 SERIES E34000
 STOREFRONT SYSTEM
 LARGE MISSILE IMPACT

3058 WALKER RIDGE DRIVE N.W.
 WALKER, MICHIGAN 49544
 PH: 800.566.2227
 FX: 616.301.1000
 WWW.TUBELITEINC.COM

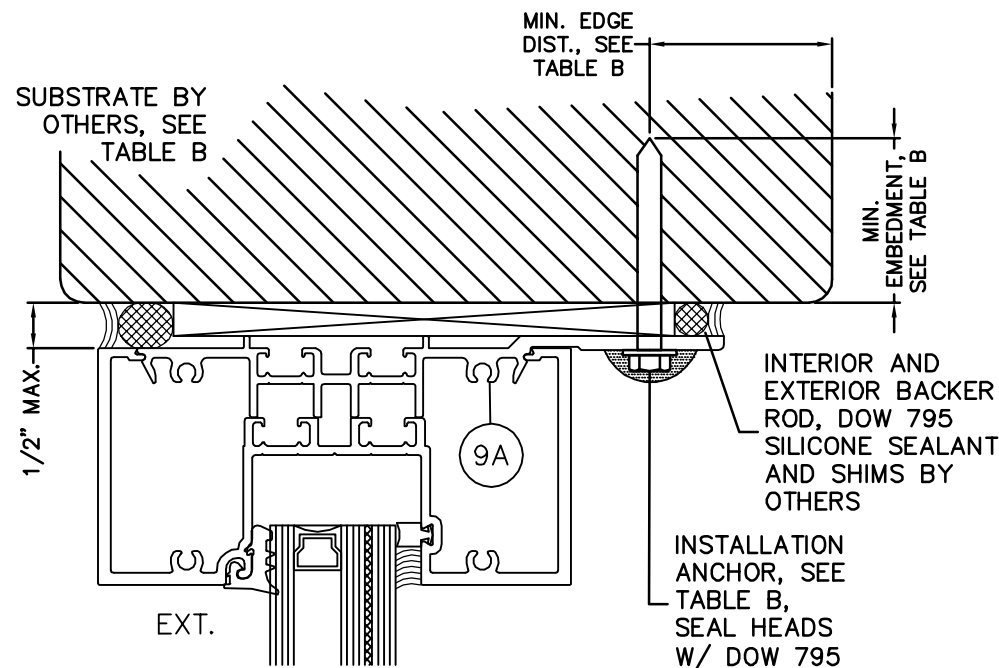
TUBELITE
 DEPENDABLE
 LEADERS IN ECO-EFFICIENT STOREFRONT
 CURTAINWALL AND ENTRANCE SYSTEMS

REVISION HISTORY:	
REV	DESCRIPTION
0	ORIGINAL RELEASE
1	UPDATE BOM TAB. B

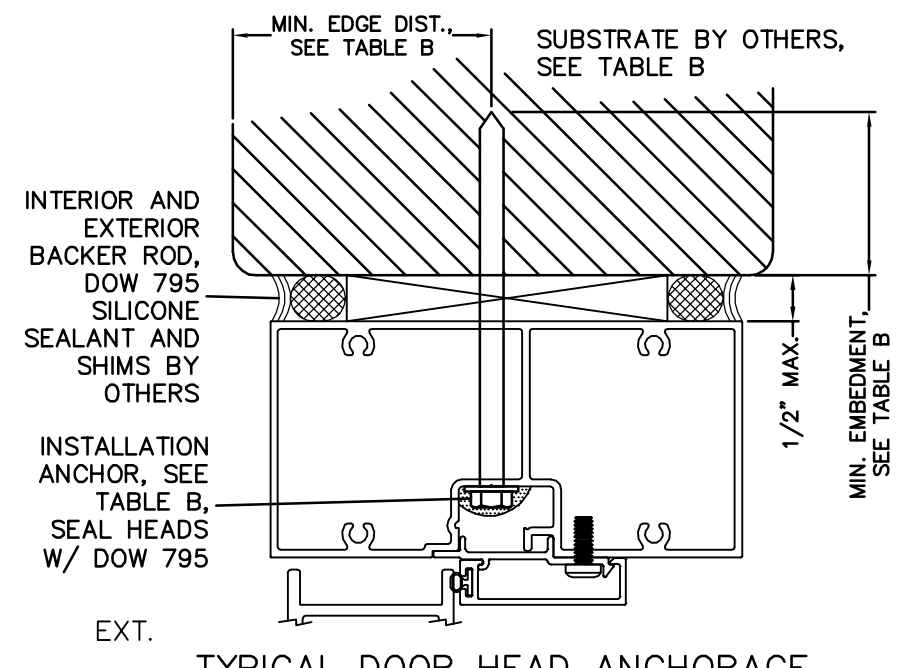
DATE:	08.17.18
DRAWING NUMBER:	FPA-E34000-LM
DRAWN:	
FINAL REVIEW:	
SCALE:	N.T.S.
REVISION:	A
SHEET NAME:	GEN. NOTES, GLAZING DETAILS, ELEVATIONS
SHEET:	2 OF 9



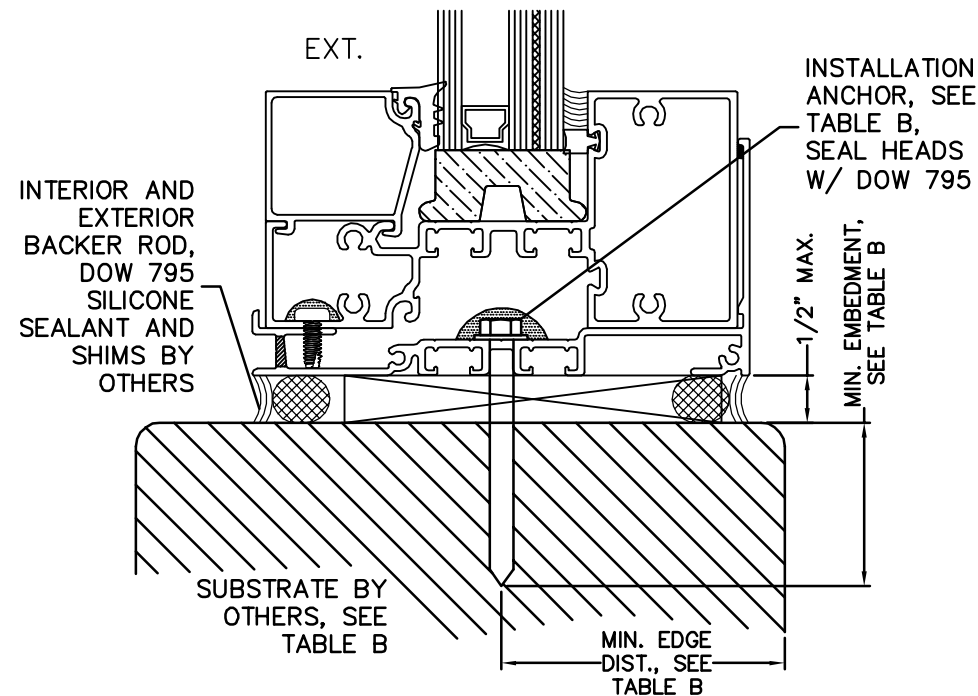
TYPICAL HEAD/JAMB ANCHORAGE



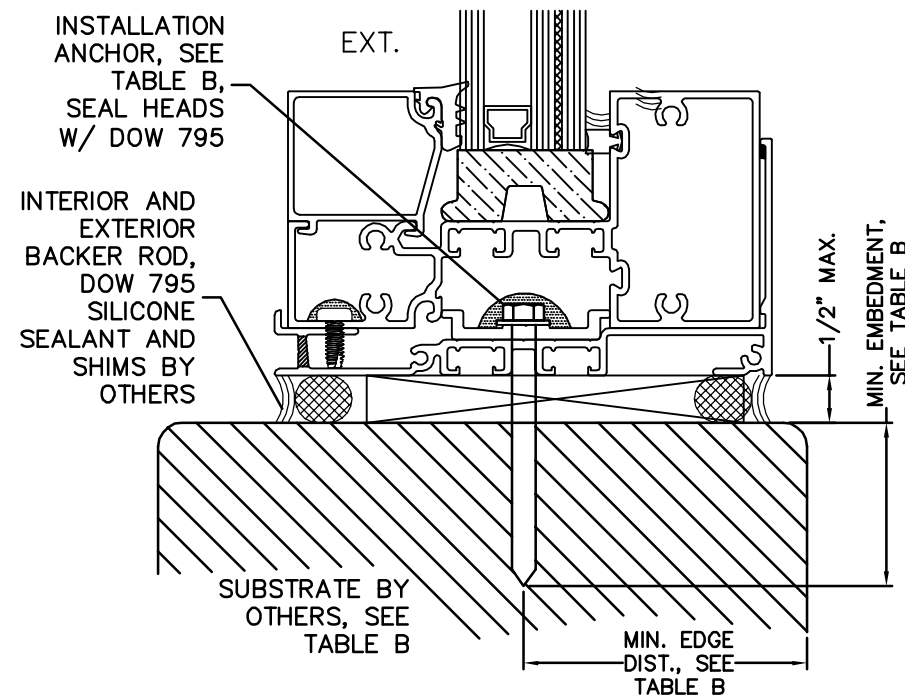
ALTERNATE HEAD/JAMB STRAP ANCHORAGE



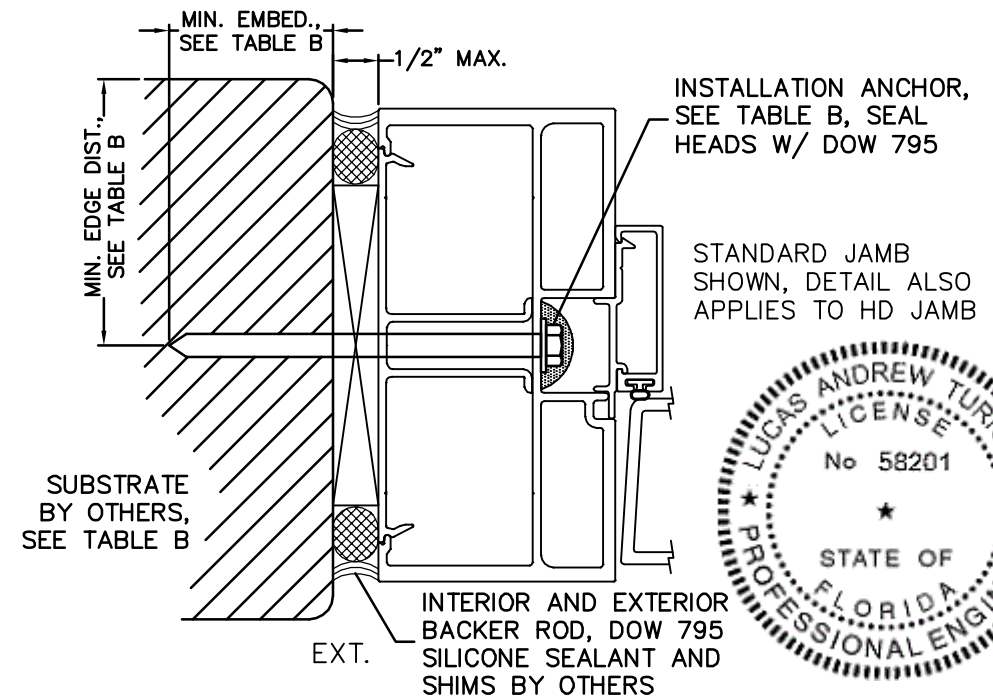
TYPICAL DOOR HEAD ANCHORAGE



TYPICAL SILL ANCHORAGE



TYPICAL SILL ANCHORAGE AT DOOR MULL



TYPICAL DOOR JAMB ANCHORAGE

TABLE B. QUALIFIED INSTALLATION ANCHOR INFORMATION

ID	SUBSTRATE	ANCHOR	MIN. EMBEDMENT	MIN. EDGE DISTANCE
A	SOLID UNCRACKED CONCRETE (3000 PSI MIN)	3/8" HILTI KWIK BOLT 3 CARBON OR STAINLESS STEEL	1 5/8"	2 1/2"
B	SOLID UNCRACKED CONCRETE (4000 PSI MIN)	3/8" POWERS WEDGE BOLT CARBON STEEL	2"	4 1/2"
C	SOUTHERN PINE WOOD (G=0.55 MIN)	3/8" GRADE 5 LAG SCREW	3"	2"
D	1/4" ALUM. 6063-T5 MIN. OR 1/8" STEEL 36 KSI MIN.	5/16-24 ELCO DRIL-FLEX OR HILTI KWIK-FLEX	SEE NOTE 5	3/4"

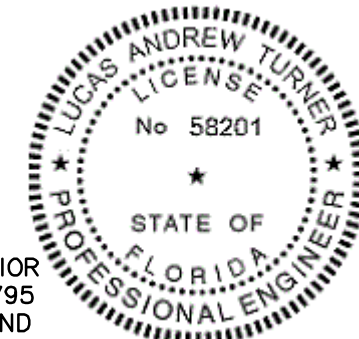
NOTE: INSTALL ONE FASTENER AT EACH LOCATION INDICATED BY ↓ SYMBOL IN ELEVATIONS.

ANCHORAGE NOTES:

- SHIMS SHALL BE LOAD-BEARING (PLASTIC OR METALLIC) AND CAPABLE OF TRANSFERRING APPLIED LOADS FROM THE PRODUCTS TO THE OPENING SUBSTRATES.
- SHIM EACH ANCHOR LOCATION WHERE GAP GREATER THAN 1/16" EXISTS BETWEEN PRODUCT FRAME AND OPENING SUBSTRATE.
- SPECIFIED EMBEDMENT TO BASE MATERIAL SHALL BE BEYOND WALL FINISH OR STUCCO.
- MINIMUM ANCHOR SPACING SHALL BE 2"
- ANCHORS THROUGH METAL SHALL BE OF SUFFICIENT LENGTH TO PROVIDE THREAD ENGAGEMENT THROUGH THE FULL METAL WALL THICKNESS

ZZ

8/17/2018
LUCAS A. TURNER, P.E.
FL PE # 58201
TURNER ENGINEERING & CONSULTING, INC.
(COA # 29779)
2428 OLD NATCHEZ TRACE
TRL., CAMDEN, TN 38320
PH. 941-380-1574



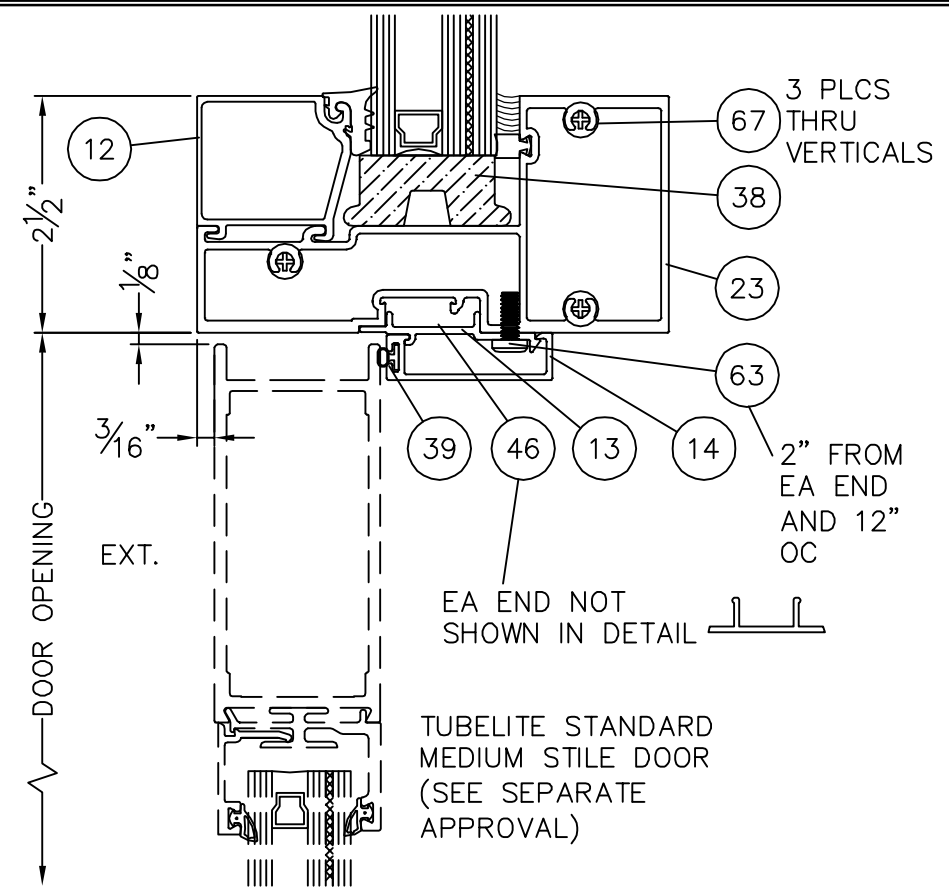
TUBELITE
SERIES E34000
STOREFRONT SYSTEM
LARGE MISSILE IMPACT

3058 WALKER RIDGE DRIVE N.W.
WALKER, MICHIGAN 49544
PH: 800.566.2227
FX: 616.301.0099
WEB SITE: WWW.TUBELITEINC.COM

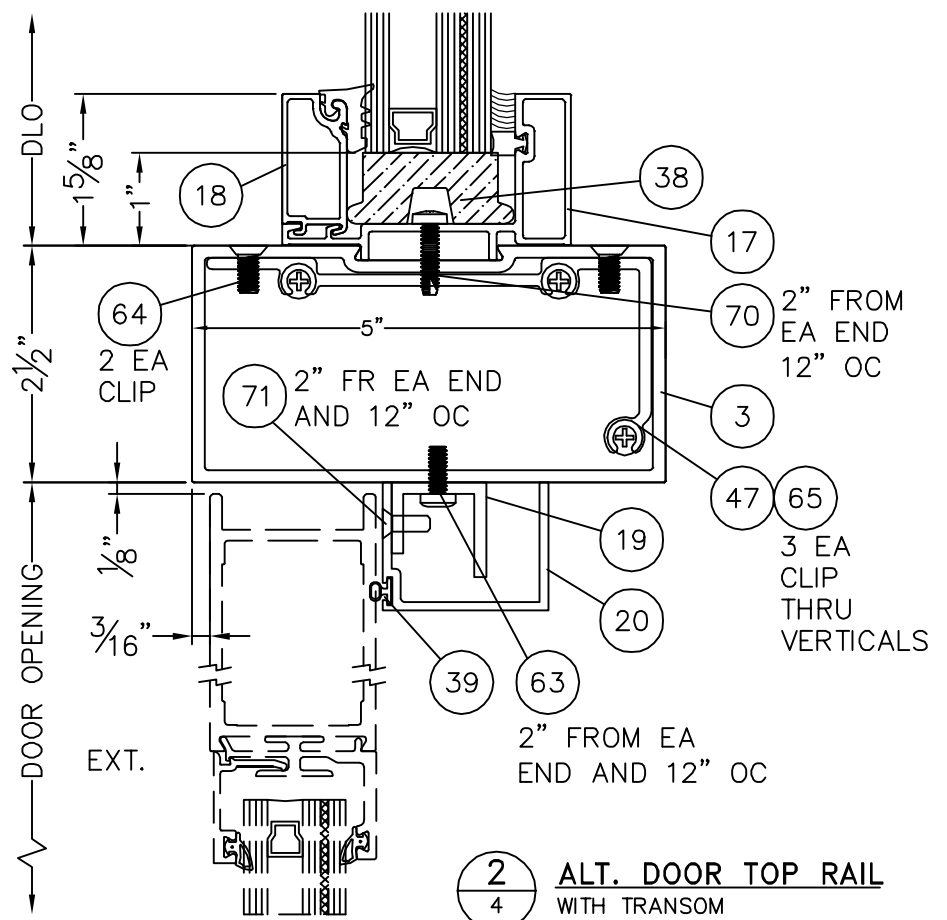
TUBELITE
DEPENDABLE
LEADERS IN ECO-EFFICIENT STOREFRONT
CURTAINWALL AND ENTRANCE SYSTEMS

REVISION HISTORY:	
REV	DESCRIPTION
0	ORIGINAL RELEASE
1	UPDATE BOM, TAB. B
2	
3	
4	
5	
6	
7	
8	
9	

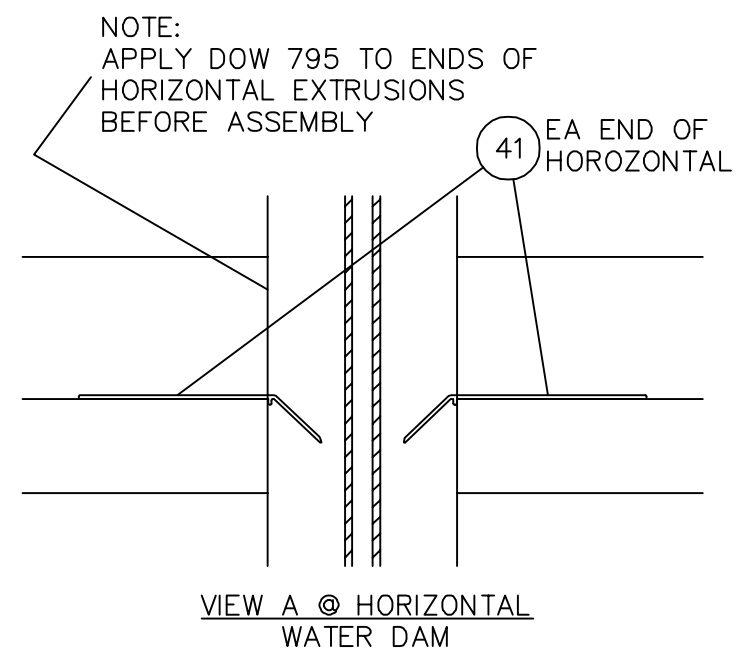
DATE:	
DRAWING NUMBER:	FPA-E34000-LM
DRAWN:	
FINAL REVIEW:	
SCALE:	N.T.S.
REVISION:	A
SHEET NAME:	INSTALLATION DETAILS, TABLE
SHEET:	3 OF 9



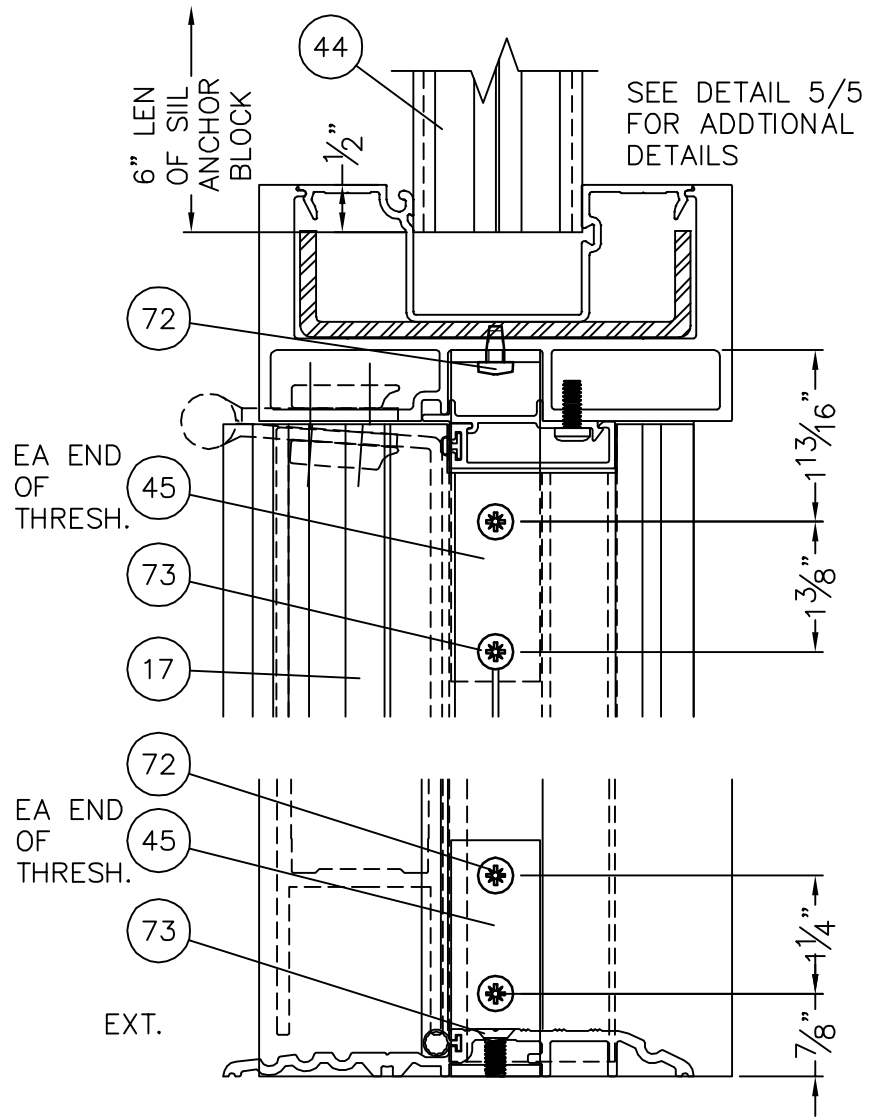
1 DOOR TOP RAIL WITH TRANSOM



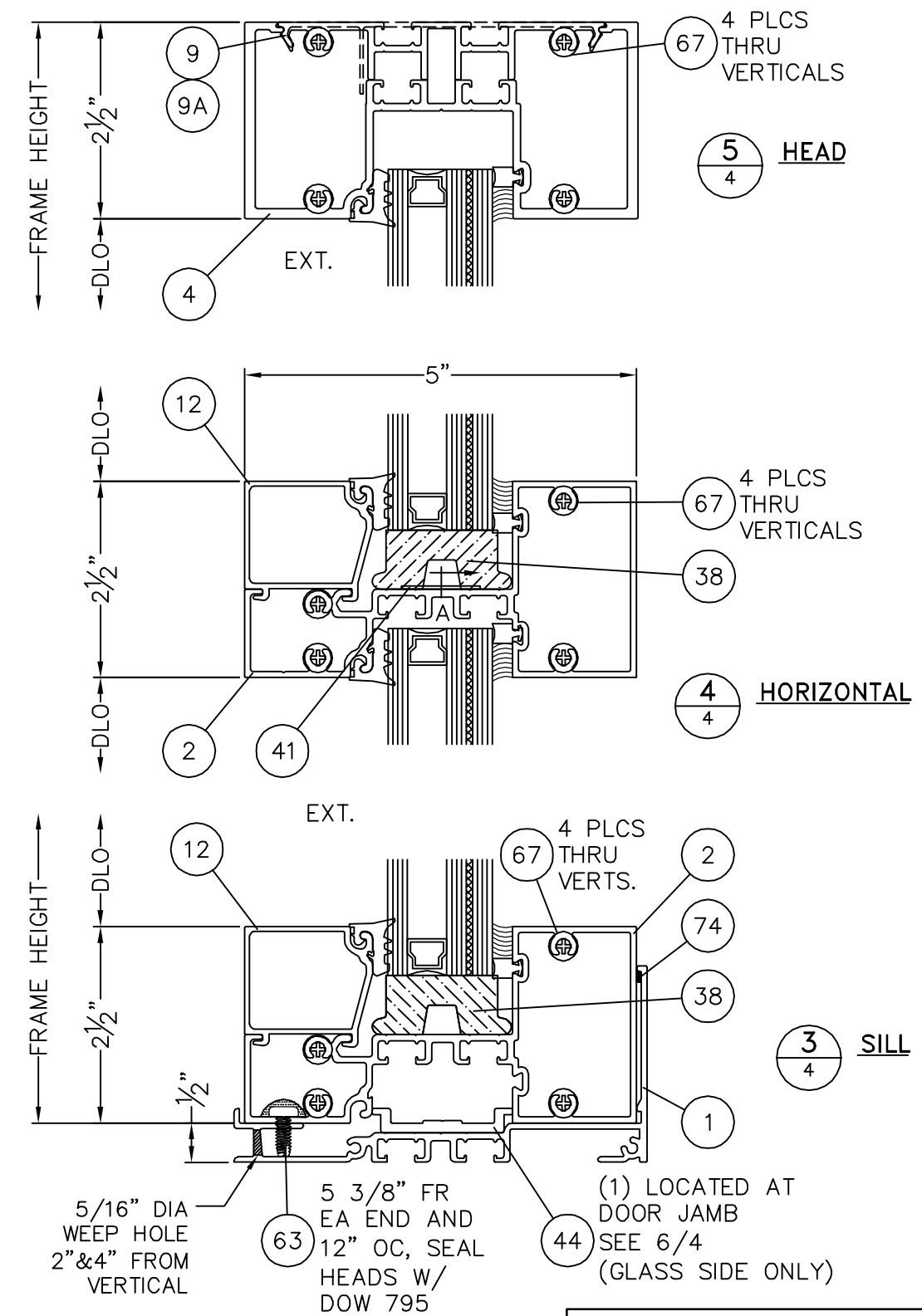
2 ALT. DOOR TOP RAIL WITH TRANSOM



VIEW A @ HORIZONTAL WATER DAM



6 DOOR ANCHOR CLIP LOCATE EACH END OF THRESHOLD



NOTE: WET-GLAZED SHOWN IN DETAILS, EITHER WET-GLAZED OR DRY-GLAZED MAY BE USED AS INDICATED BY GLASS TYPE IN TABLE A, SHEET 1. SEE GLAZING DETAILS ON SHEET 2 FOR APPLICABLE GLAZING MATERIALS.



8/17/2018
 LUCAS A. TURNER, P.E.
 FL PE # 58201
 TURNER ENGINEERING & CONSULTING, INC.
 (COA # 29779)
 2428 OLD NATCHEZ TRACE TRL., CAMDEN, TN 38320
 PH. 941-380-1574

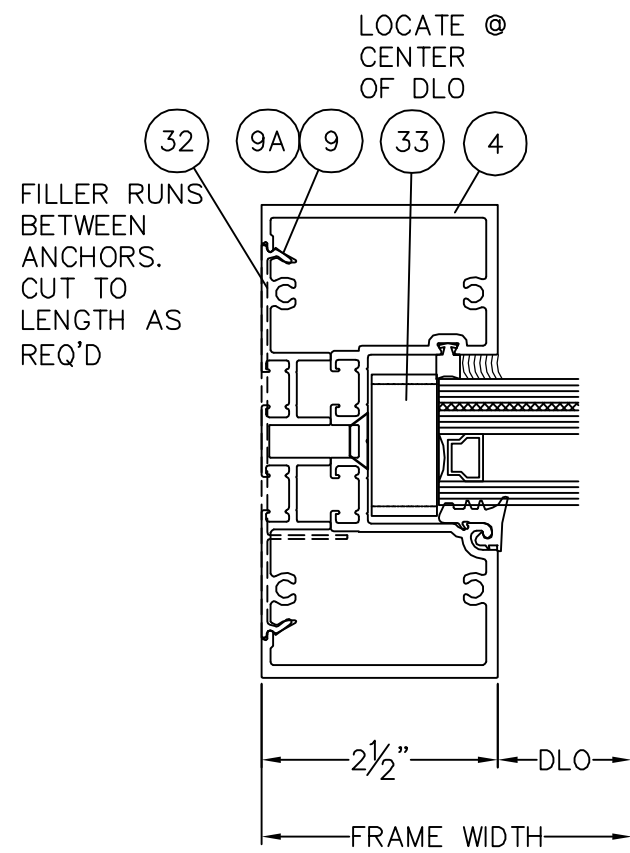
TUBELITE
 SERIES E34000
 STOREFRONT SYSTEM
 LARGE MISSILE IMPACT

3058 WALKER RIDGE DRIVE N.W.
 WALKER, MICHIGAN 49544
 PH: 800.566.2227
 FX: 616.301.0099
 WEB SITE: WWW.TUBELITEINC.COM

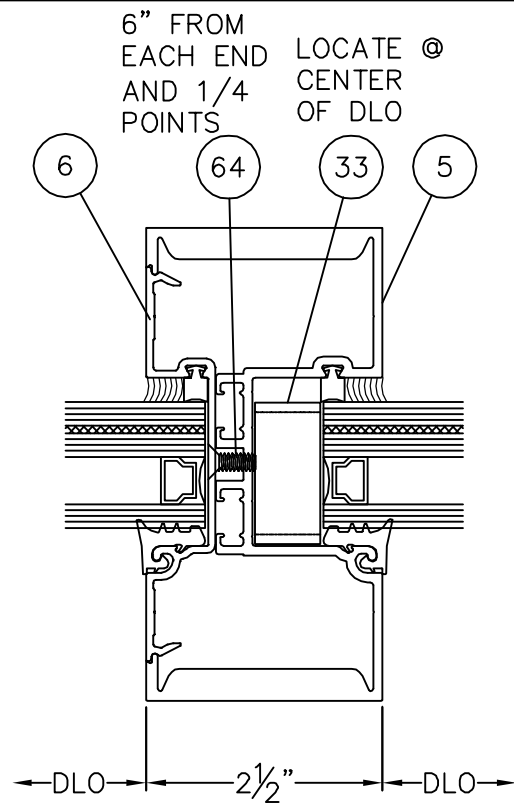
TUBELITE
 DEPENDABLE
 LEADERS IN ECO-EFFICIENT STOREFRONT CURTAINWALL AND ENTRANCE SYSTEMS

REVISION HISTORY:	
REV	DESCRIPTION
0	ORIGINAL RELEASE
1	UPDATE BOM, TAB. B

DATE: 08.17.18
 DRAWING NUMBER: FPA-E34000-LM
 DRAWN:
 FINAL REVIEW:
 SCALE: N.T.S.
 REVISION: A
 SHEET NAME: SECTION DETAILS
 SHEET: 4 OF 9

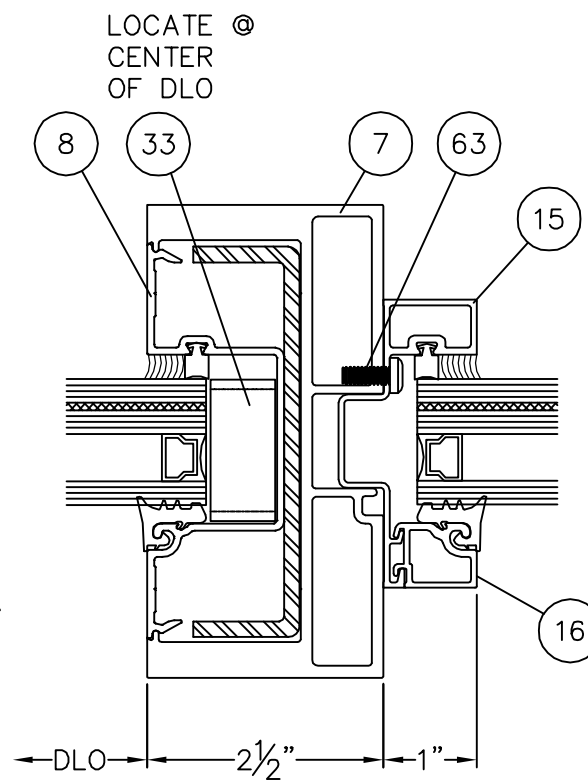


1 JAMB MULLION
5 WITH JAMB ANCHORS

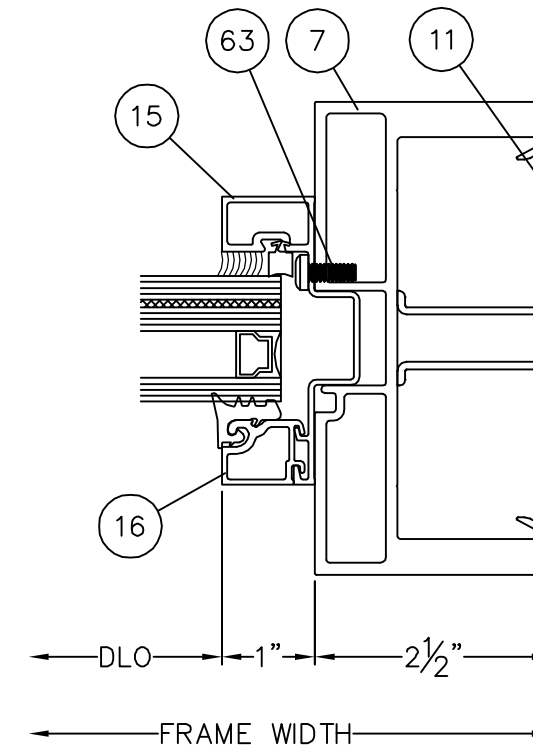


2 HD MULLION
5

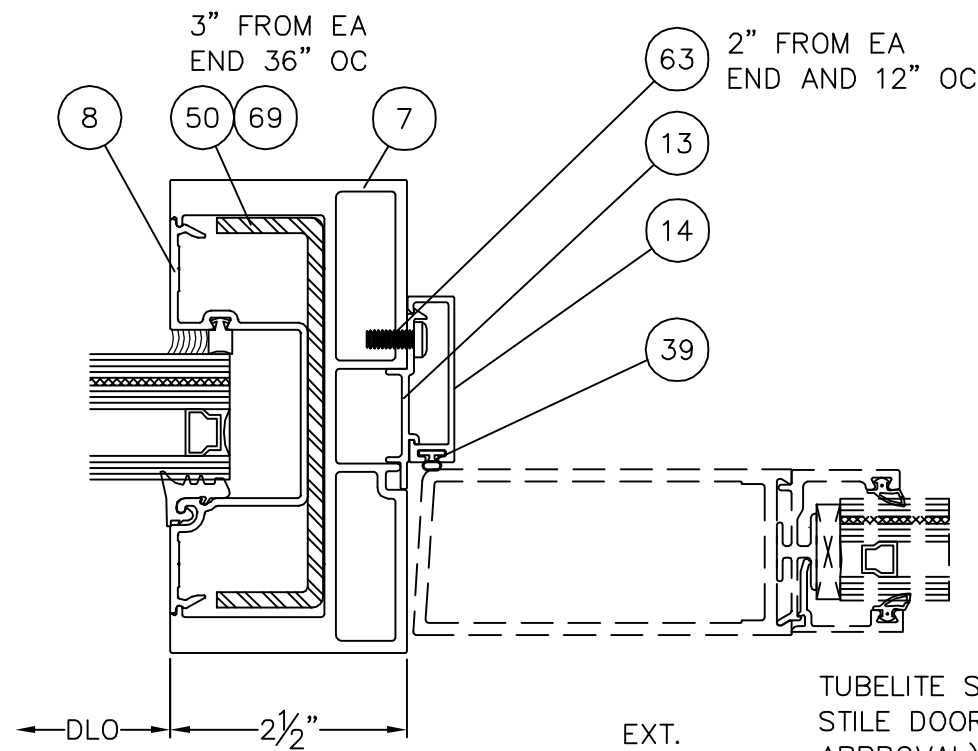
EXT.



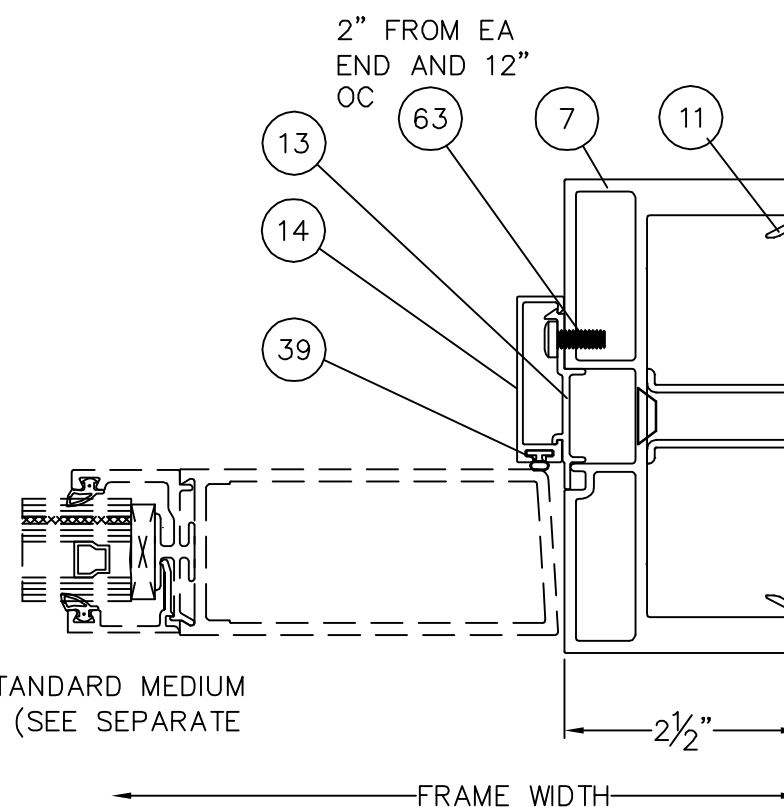
3 HD DOOR MULLION @ TRANSOM
5



4 HD DOOR JAMB @ TRANSOM
5

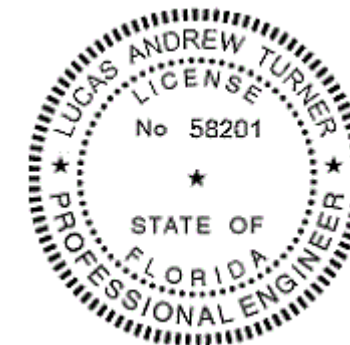


5 HD DOOR MULLION @ DOOR
5



6 HD DOOR JAMB @ DOOR
5

NOTE:
WET-GLAZED SHOWN IN DETAILS,
EITHER WET-GLAZED OR DRY-GLAZED
MAY BE USED AS INDICATED BY GLASS
TYPE IN TABLE A, SHEET 1. SEE
GLAZING DETAILS ON SHEET 2 FOR
APPLICABLE GLAZING MATERIALS.



8/17/2018
LUCAS A. TURNER, P.E.
FL PE # 58201
TURNER ENGINEERING &
CONSULTING, INC.
(COA # 29779)
2428 OLD NATCHEZ TRACE
TRL., CAMDEN, TN 38320
PH. 941-380-1574

TUBELITE
SERIES E34000
STOREFRONT SYSTEM
LARGE MISSILE IMPACT

3058 WALKER RIDGE DRIVE N.W.
WALKER, MICHIGAN 49544
PH: 800.566.2227
FX: 616.301.0095
WEB SITE: WWW.TUBELITEINC.COM

TUBELITE
DEPENDABLE
LEADERS IN ECO-EFFICIENT STOREFRONT
CURTAINWALL AND ENTRANCE SYSTEMS

REVISION HISTORY:

REV	DATE	DRAWN	DESCRIPTION
0	8.19.14	LT	ORIGINAL RELEASE
A	8.17.18	LT	UPDATE BOM, TAB. B

DATE: 08.17.18

DRAWING NUMBER:
FPA-E34000-LM

DRAWN:

FINAL REVIEW:

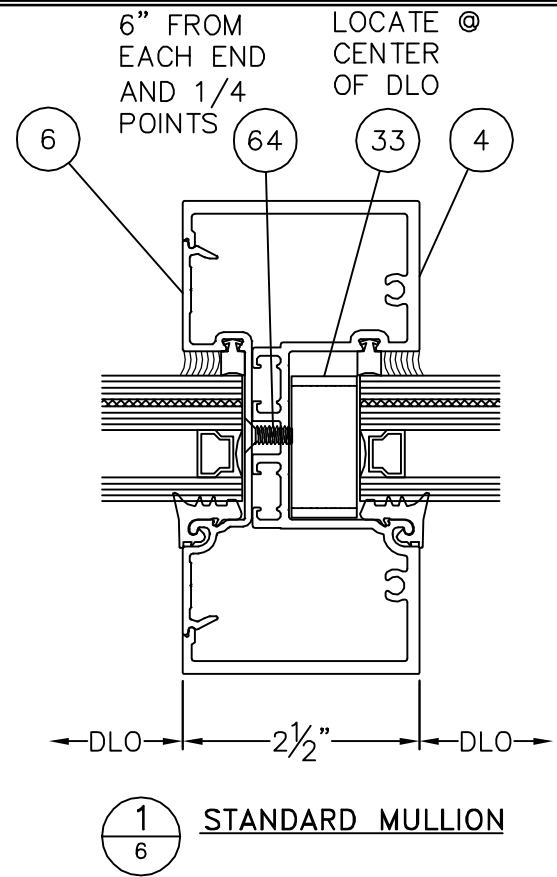
SCALE: N.T.S.

REVISION: A

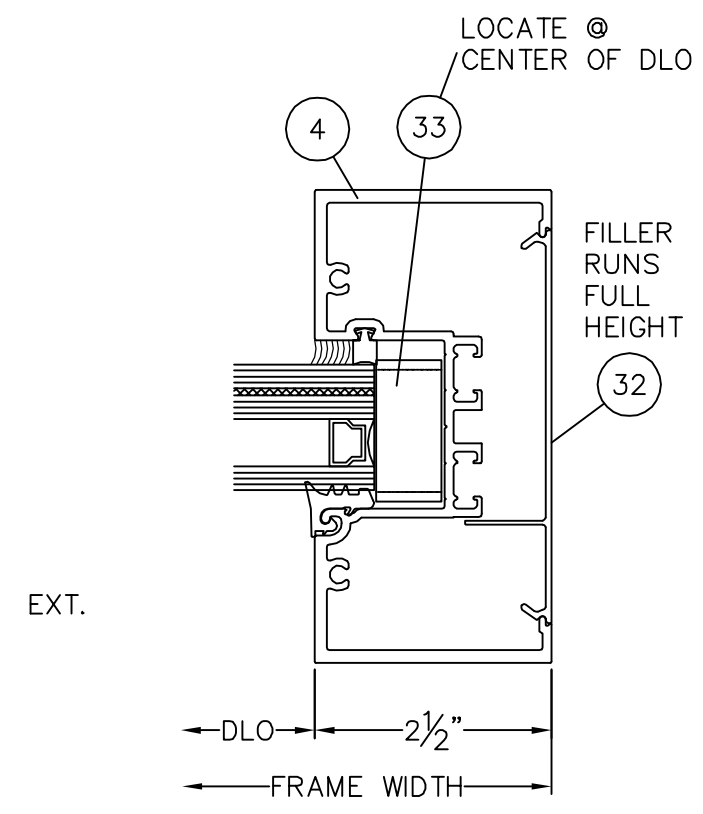
SHEET NAME:

SECTION
DETAILS

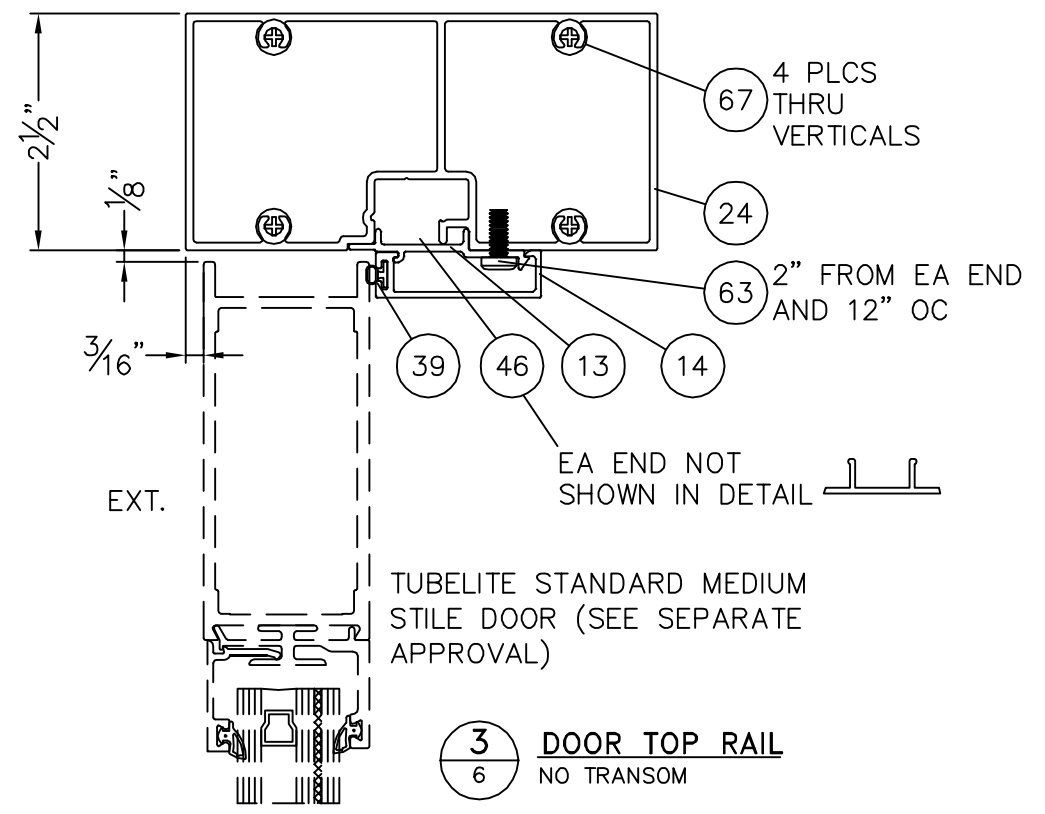
SHEET: 5 OF 9



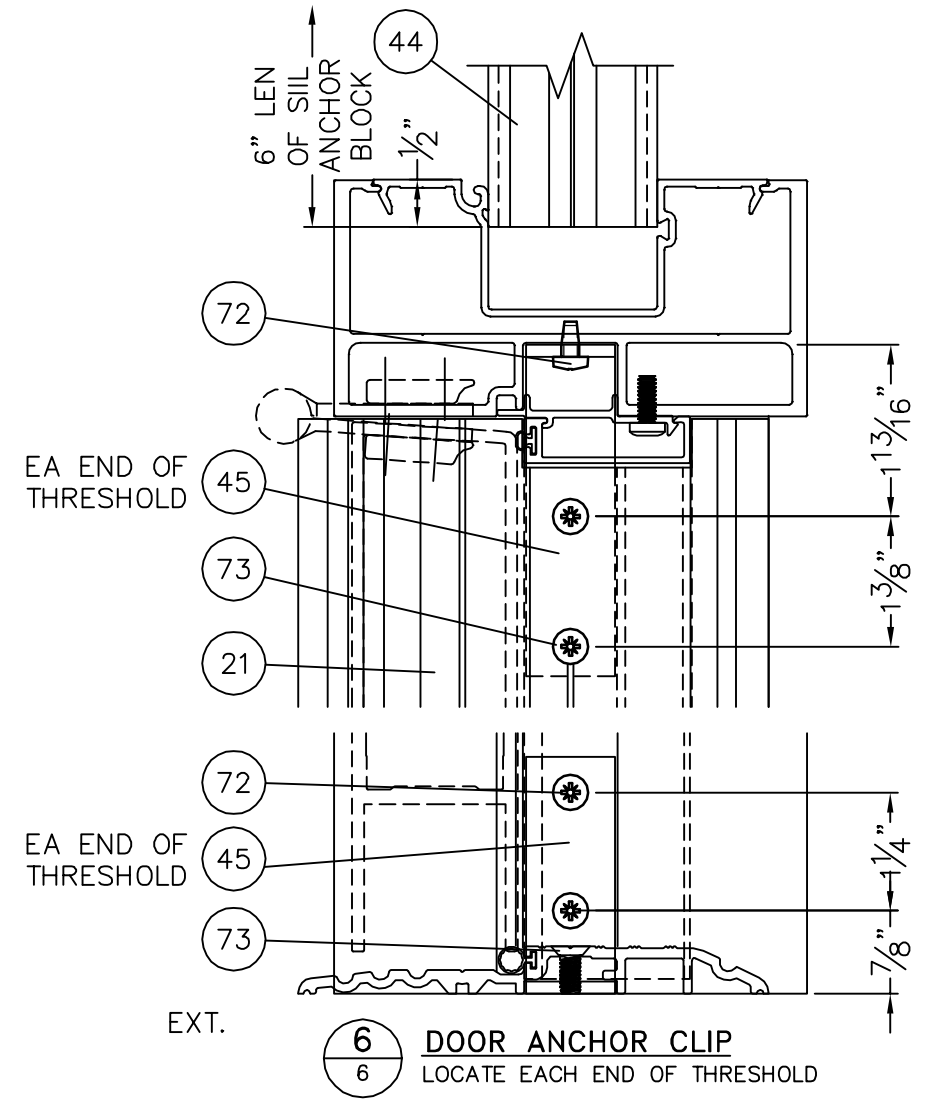
1 STANDARD MULLION
6



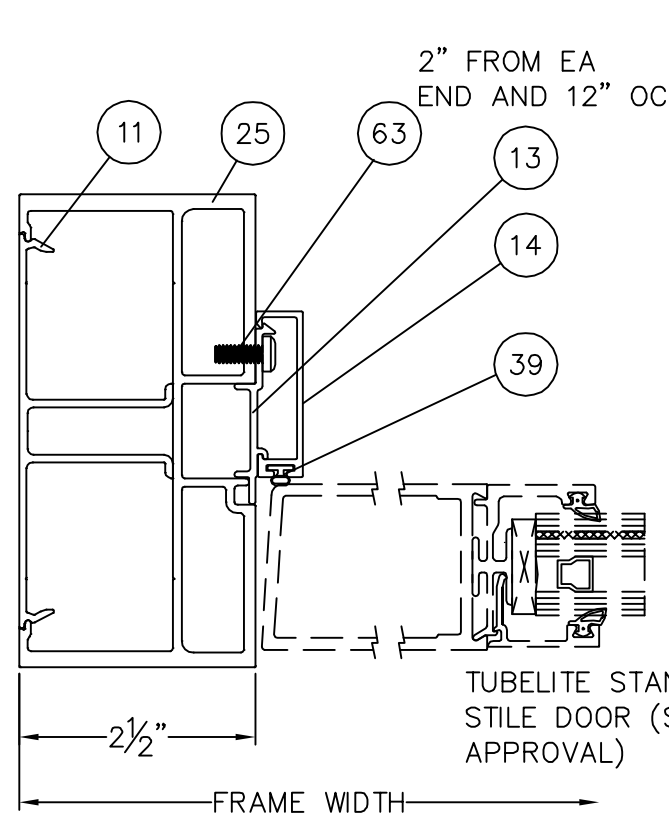
2 JAMB MULLION
6 NO JAMB ANCHORS



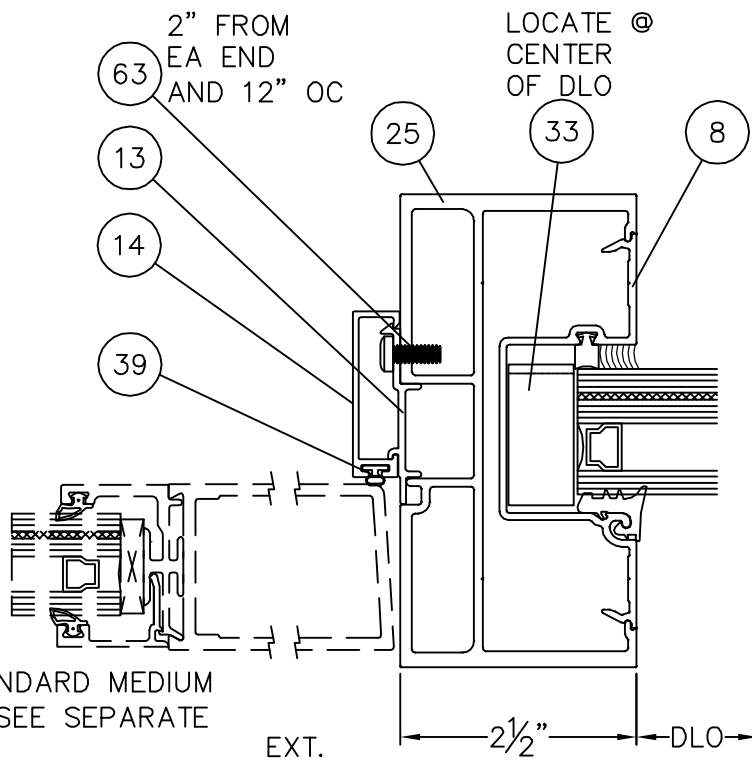
3 DOOR TOP RAIL
6 NO TRANSOM



6 DOOR ANCHOR CLIP
6 LOCATE EACH END OF THRESHOLD

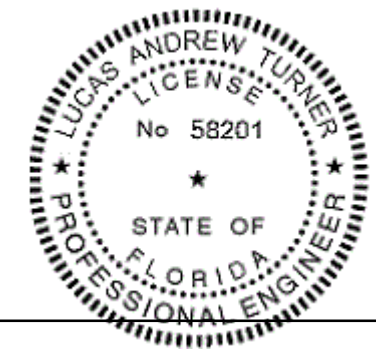


4 STANDARD DOOR JAMB
6



5 STANDARD DOOR MULLION
6

NOTE:
DETAILS ON THIS SHEET,
WET-GLAZED ONLY, AS
INDICATED BY GLASS TYPE
IN TABLE A, SHEET 1.
SEE GLAZING DETAILS ON
SHEET 2 FOR APPLICABLE
GLAZING MATERIALS.



72
8/17/2018
LUCAS A. TURNER, P.E.
FL PE # 58201
TURNER ENGINEERING &
CONSULTING, INC.
(COA # 29779)
2428 OLD NATCHEZ TRACE
TRL., CAMDEN, TN 38320
PH. 941-380-1574

TUBELITE
SERIES E34000
STOREFRONT SYSTEM
LARGE MISSILE IMPACT

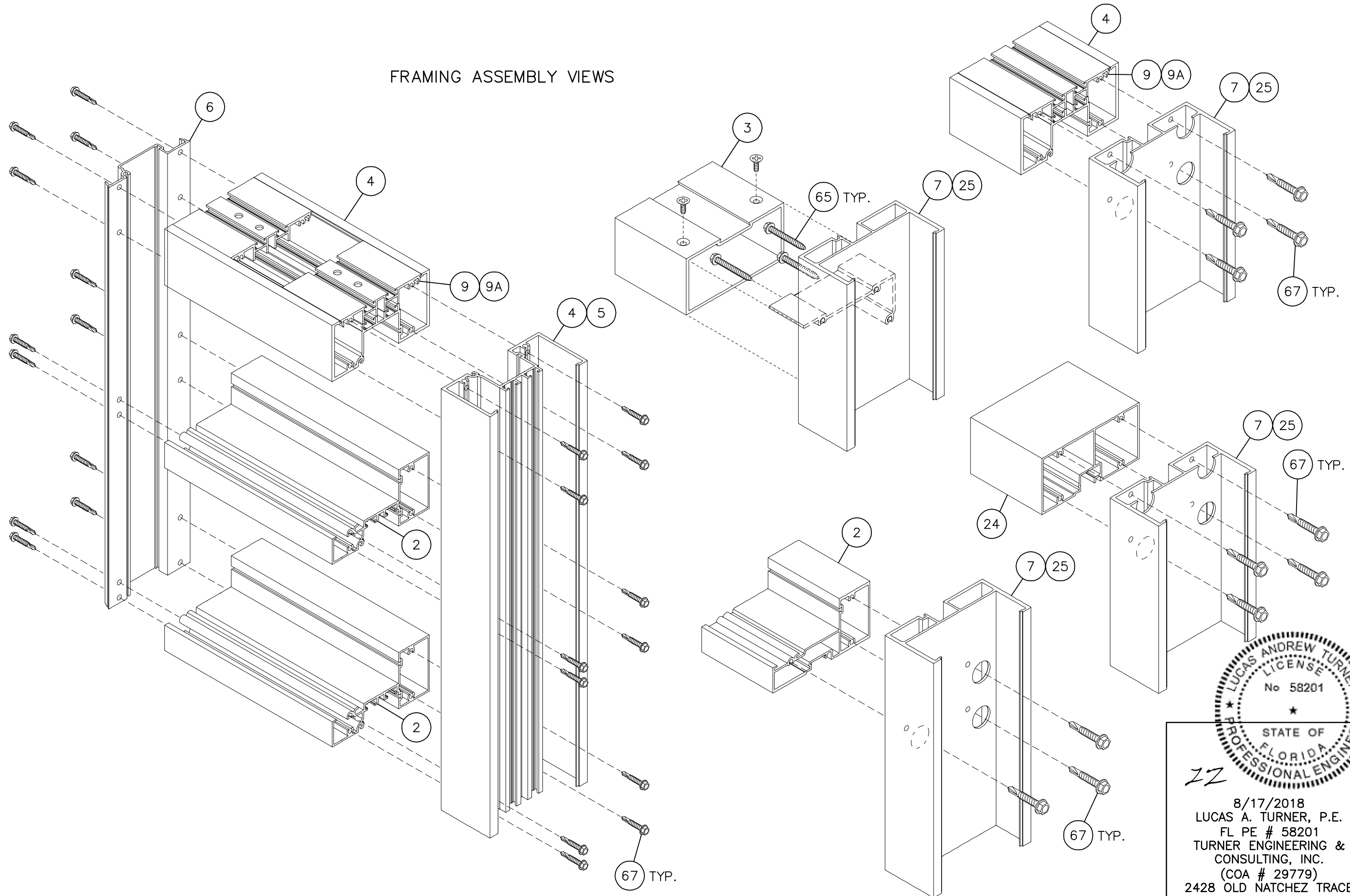
3058 WALKER RIDGE DRIVE N.W.
WALKER, MICHIGAN 49544
PH: 800.566.2227
FX: 616.301.0095
WEB SITE: WWW.TUBELITEINC.COM

TUBELITE
DEPENDABLE
LEADERS IN ECO-EFFICIENT STOREFRONT
CURTAINWALL AND ENTRANCE SYSTEMS

REVISION HISTORY:	
REV	DESCRIPTION
0	ORIGINAL RELEASE
1	UPDATE BOM TAB. B
2	
3	
4	
5	
6	

DATE: 08.17.18
DRAWING NUMBER: FPA-E34000-LM
DRAWN:
FINAL REVIEW:
SCALE: N.T.S.
REVISION: A
SHEET NAME: SECTION DETAILS
SHEET: 6 OF 9

FRAMING ASSEMBLY VIEWS



22
 8/17/2018
 LUCAS A. TURNER, P.E.
 FL PE # 58201
 TURNER ENGINEERING &
 CONSULTING, INC.
 (COA # 29779)
 2428 OLD NATCHEZ TRACE
 TRL., CAMDEN, TN 38320
 PH. 941-380-1574

TUBELITE
 SERIES E34000
 STOREFRONT SYSTEM
 LARGE MISSILE IMPACT

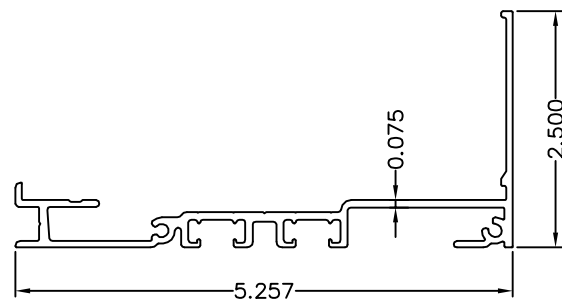
3058 WALKER RIDGE DRIVE N.W.
 WALKER, MICHIGAN 49544
 PH: 800.566.2227
 FX: 916.301.0095
 WEB SITE: WWW.TUBELITEINC.COM

TUBELITE
 DEPENDABLE
 LEADERS IN ECO-EFFICIENT STOREFRONT
 CURTAINWALL AND ENTRANCE SYSTEMS

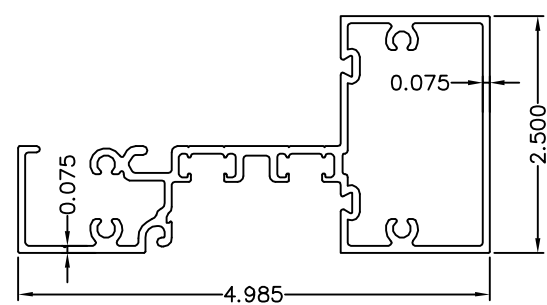
REVISION HISTORY:

REV	DATE	DRAWN	DESCRIPTION
0	8.19.14	LT	ORIGINAL RELEASE
A	8.17.18	LT	UPDATE BOM, TAB. B

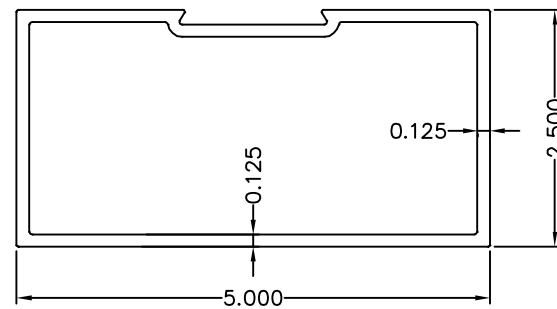
DATE:	08.17.18
DRAWING NUMBER:	FPA-E34000-LM
DRAWN:	
FINAL REVIEW:	
SCALE:	N.T.S.
REVISION:	A
SHEET NAME:	ASSEMBLY DETAILS
SHEET:	7 OF 9



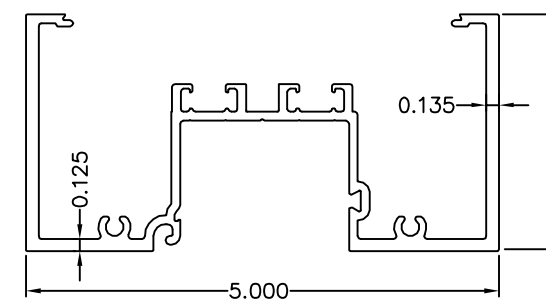
ITEM 1-E34259
SUB SILL



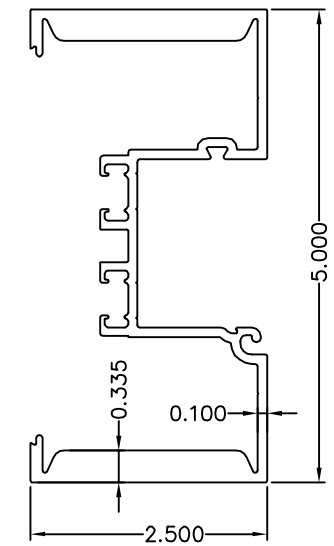
ITEM 2-E34143
INTERMEDIATE HORIZONTAL



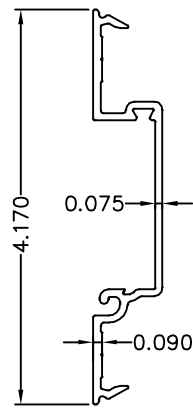
ITEM 3-E34125
DOOR HEADER



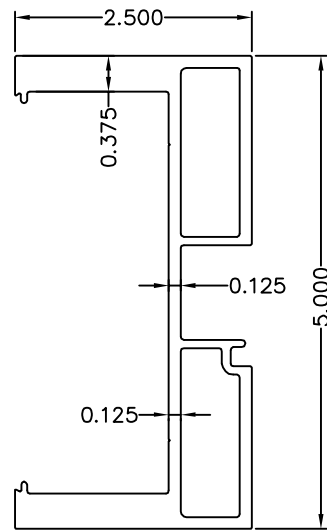
ITEM 4-T34441
VERTICAL/HEAD



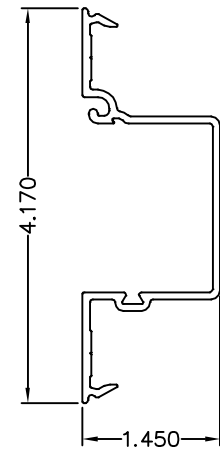
ITEM 5-T34261
HD VERTICAL



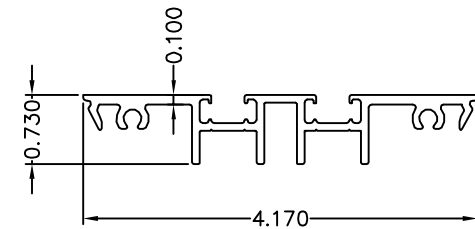
ITEM 6-E34445
SHALLOW POCKET FILLER



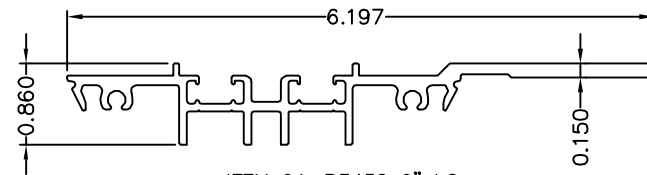
ITEM 7-E34244
HEAVY DOOR JAMB



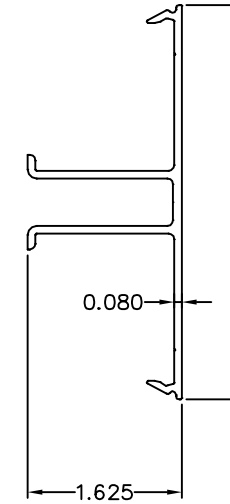
ITEM 8-E34022
DEEP POCKET FILLER



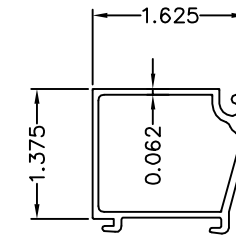
ITEM 9 (P3446 9" LG), ITEM 10 (P3445 4" LG)
(E34442) FILLER FOR STANDARD ANCHORING



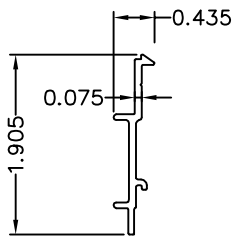
ITEM 9A-P3432 9" LG
(T34031) STRAP ANCHOR



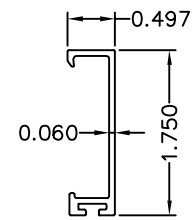
ITEM 11-E34242
DOOR JAMB FILLER



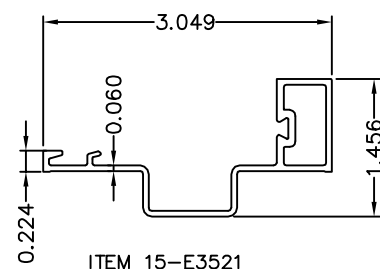
ITEM 12-E34104
GLASS STOP SILL/HORIZONTAL



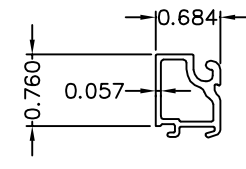
ITEM 13-E6507
INNER DOOR STOP



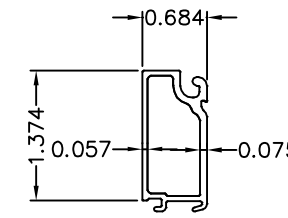
ITEM 14-E6505
OUTER DOOR STOP



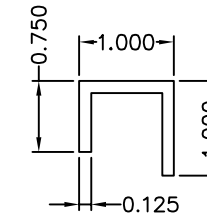
ITEM 15-E3521
GLASS STOP HORIZONTAL



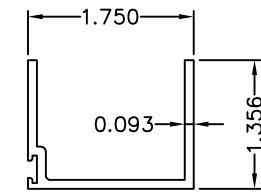
ITEM 16-E3522
GLASS STOP



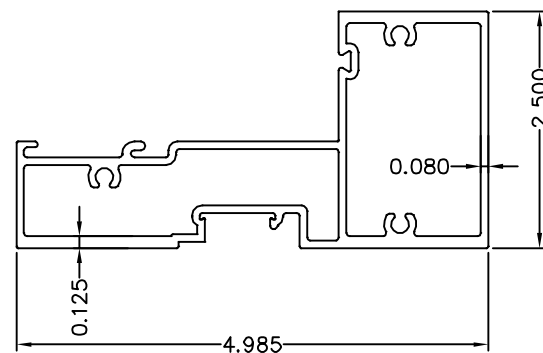
ITEM 18-E6644
GLASS STOP



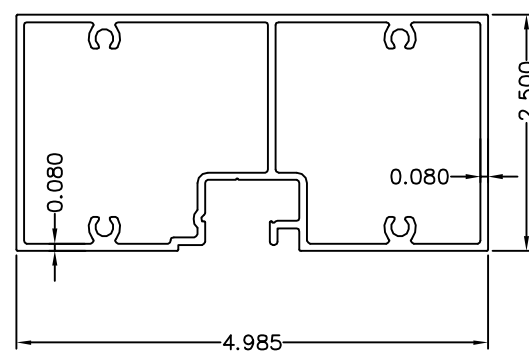
ITEM 19-E6504
CHANNEL



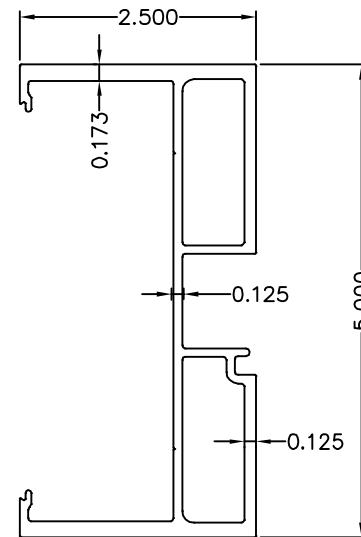
ITEM 20 - E2298
DOOR STOP



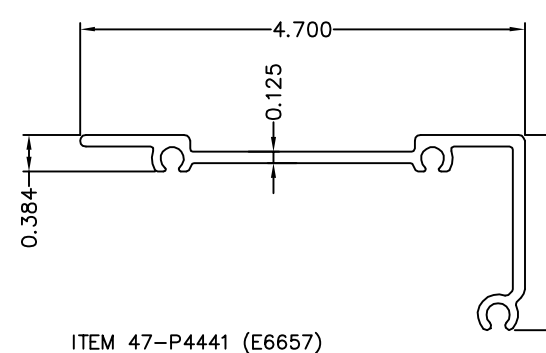
ITEM 23-E34124
DOOR HEADER



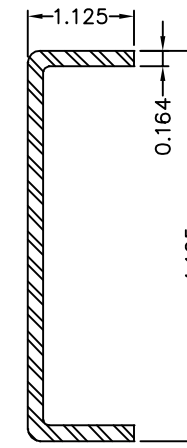
ITEM 24-E34224
DOOR HEADER



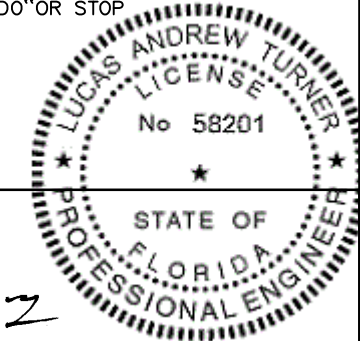
ITEM 25-E34144
DOOR JAMB



ITEM 47-P4441 (E6657)
DOOR HEADER FRAME CLIP (1 1/2" LG)



ITEM 50
REINFORCING STEEL



8/17/2018
LUCAS A. TURNER, P.E.
FL PE # 58201
TURNER ENGINEERING &
CONSULTING, INC.
(COA # 29779)
2428 OLD NATCHEZ TRACE
TRL., CAMDEN, TN 38320
PH. 941-380-1574

TUBELITE
SERIES E34000
STOREFRONT SYSTEM
LARGE MISSILE IMPACT

3058 WALKER RIDGE DRIVE N.W.
WALKER, MICHIGAN 49544
PH: 800.566.2227
FX: 961.301.0097
WEB SITE: WWW.TUBELITEINC.COM

TUBELITE
DEPENDABLE
LEADERS IN ECO-EFFICIENT STOREFRONT
CURTAINWALL AND ENTRANCE SYSTEMS

REVISION HISTORY:

REV	DATE	DESCRIPTION
0	8.19.14	ORIGINAL RELEASE
1	8.17.18	UPDATE BOM TAB. B

DATE:	08.17.18
DRAWING NUMBER:	FPA-E34000-LM
DRAWN:	
FINAL REVIEW:	
SCALE:	N.T.S.
REVISION:	A
SHEET NAME:	PART DRAWINGS
SHEET:	8 OF 9

HURRICANE STOREFRONT TEST SPECIMEN – BILL OF MATERIALS			
ITEM	PART NUMBER	DESCRIPTION	MATERIAL
1	E34259	EXTRUSION ~ SUB SILL	ALUMINUM-6063-T6
2	E34143	EXTRUSION ~ INTERMEDIATE HORIZONTAL/SILL	ALUMINUM-6063-T6
3	E34125	EXTRUSION ~ DOOR HEADER	ALUMINUM-6063-T6
4	E34441	EXTRUSION ~ VERTICAL/HEAD	ALUMINUM-6063-T6
5	E34261	EXTRUSION ~ HD VERTICAL	ALUMINUM-6063-T6
6	E34445	EXTRUSION ~ SHALLOW POCKET FILLER	ALUMINUM-6063-T6
7	E34244	EXTRUSION ~ HEAVY DOOR JAMB	ALUMINUM-6063-T6
8	E34022	EXTRUSION ~ DEEP POCKET FILLER	ALUMINUM-6063-T6
9	P3446	EXTRUSION ~ SNAP IN FILLER (E34442)	ALUMINUM-6063-T6
9A	P3432	EXTRUSION ~ SNAP IN FILLER / STRAP ANCHOR (E34031)	ALUMINUM-6063-T6
10	P3445	EXTRUSION ~ SNAP IN FILLER (E34442)	ALUMINUM-6063-T6
11	E34242	EXTRUSION ~ DOOR JAMB FILLER	ALUMINUM-6063-T6
12	E34104	EXTRUSION ~ GLAZING STOP	ALUMINUM-6063-T5
13	E6507	EXTRUSION ~ INNER DOOR STOP	ALUMINUM-6063-T5
14	E6505	EXTRUSION ~ OUTER DOOR STOP	ALUMINUM-6063-T5
15	E3521	EXTRUSION ~ SASH	ALUMINUM-6063-T5
16	E3522	EXTRUSION ~ GLASS STOP	ALUMINUM-6063-T5
18	E6644	EXTRUSION ~ GLASS STOP	ALUMINUM-6063-T5
19	E6504	EXTRUSION ~ CHANNEL 1"x1"x1/8"	ALUMINUM-6063-T5
20	E2298	EXTRUSION ~ DOOR STOP	ALUMINUM-6063-T5
23	E34124	EXTRUSION ~ DOOR HEADER	ALUMINUM-6063-T6
24	E34224	EXTRUSION ~ DOOR HEADER	ALUMINUM-6063-T6
25	E34144	EXTRUSION ~ DOOR JAMB	ALUMINUM-6063-T6
32	P3443	PERIMETER CAULK BACKER – FLAT LEG SNAP IN FILLER	P-PART-RIGID PVC
33	P1916	W ANTI-WALK BLOCK	P-PART-EPDM
34	P6503	TOP LOAD WEDGE GASKET, GLASS, EPG	P-PART-RUBBER
35	P6587	WET GLAZE GASKET, GLASS, EPG	P-PART-RUBBER
36	P6586	PRESET WEDGE GASKET, GLASS, EPG	P-PART-RUBBER
38	P6541	SETTING BLOCK 3/4 x 1 3/4 x 4" LG	P-PART-RUBBER
39	P6296	BULB GASKET	P-PART-PLASTIC/FAB
40	P3450	BULB GASKET @ THRESHOLD	P-PART-PLASTIC/FAB
41	P6581	WATER DIVERTER	P-PART-PVC
42	P1156	END DAM FOR SUB SILL E44259	P-PART-ALUM .040 SHT.
44	P3426	SILL ANCHOR BLOCK (E34260)	P-PART-ALUM-6063-T5
45	P3497	DR. ANCHOR CLIP 2 1/2"x3 1/2"x 1/8", 15/16" LG (E1592)	P-PART-ALUM-6063-T5
46	P503	FILLER	P-PART-ALUM-6063-T5
47	P4441	EXTRUSION ~ DOOR HEADER FRAME CLIP (1 1/2" LG)	P-PART-ALUM-6063-T5
50	P3437	1 1/8 X 4 1/8 X 8 GA STEEL CHANNEL	1008CQ HOT ROLLED

HURRICANE STOREFRONT TEST SPECIMEN – BILL OF MATERIALS			
ITEM	PART NUMBER	DESCRIPTION	MATERIAL
63	S206	SCREW ~ #10-24 x 1/2" P PH TYPE 23 ST	P-PART-FASTENER
64	S161	SCREW ~ #10-24 x 1/2" PHIL FLAT HD UC MS	P-PART-FASTENER
65	S205	SCREW ~ #12 X 2" HWH TYPE 23 SELF TAPPING (P4441 TO MULLION)	P-PART-FASTENER
66			
67	S419	SCREW ~ #12-14 x 1 1/2" HWH SD #3PT (FRAME TO FRAME)	P-PART-FASTENER
68	S196	SCREW ~ #8 X 3/8" SELF TAPPING PAN HEAD (END DAM TO SUB SILL)	P-PART-FASTENER
69	BY OTHERS	SCREW ~ #8 X 3/4" TEK SCREW (STEEL TO MULLION)	P-PART-FASTENER
70	S270	SCREW ~ #10-24 X 3/4" SS PH (GLASS STOP)	P-PART-FASTENER
71	S174	SCREW ~ #8-32 X 1/2" FH (DOOR STOP)	P-PART-FASTENER
72	S293	SCREW ~ #10-24 X 3/8" SELF TAPPING P HD(DR ANCHOR CLIP TO DR)	P-PART-FASTENER
73	S070	SCREW ~ #12-24 x 1/2" PHIL FH UC MS (THRESHOLD TO DR ANCHOR CLIP)	P-PART-FASTENER
74	BY OTHERS	SILICONE SEALANT DOW 795	P-PART-SEALANT
75	BY OTHERS	SILICONE SEALANT DOW 995	P-PART-SEALANT
76	BY OTHERS	#10 x 1 SELF TAPPING FW (STRAP ANCHOR TO HORIZONTAL)	P-PART-FASTENER
77	BY OTHERS	SCREW ~ 5/16"-18 x 1 1/2" HEX HD MS SS W/FWS (FR. TO STEEL BUCK)	P-PART-FASTENER

TUBELITE
 SERIES E34000
 STOREFRONT SYSTEM
 LARGE MISSILE IMPACT

3058 WALKER RIDGE DRIVE N.W.
 WALKER, MICHIGAN 49544
 PH: 800.566.2227
 FX: 616.301.0000
 WEB SITE: WWW.TUBELITEINC.COM

TUBELITE
 DEPENDABLE
 LEADERS IN ECO-EFFICIENT STOREFRONT
 CURTAINWALL AND ENTRANCE SYSTEMS

REVISION HISTORY:	
REV	DESCRIPTION
0	ORIGINAL RELEASE
A	UPDATE BOM TAB. B

DATE: 08.17.18
 DRAWING NUMBER: FPA-E34000-LM
 DRAWN:
 FINAL REVIEW:
 SCALE: N.T.S.
 REVISION: A
 SHEET NAME: BILL OF MATERIALS
 SHEET: 9 OF 9



22
 8/17/2018
 LUCAS A. TURNER, P.E.
 FL PE # 58201
 TURNER ENGINEERING &
 CONSULTING, INC.
 (COA # 29779)
 2428 OLD NATCHEZ TRACE
 TRL., CAMDEN, TN 38320
 PH. 941-380-1574