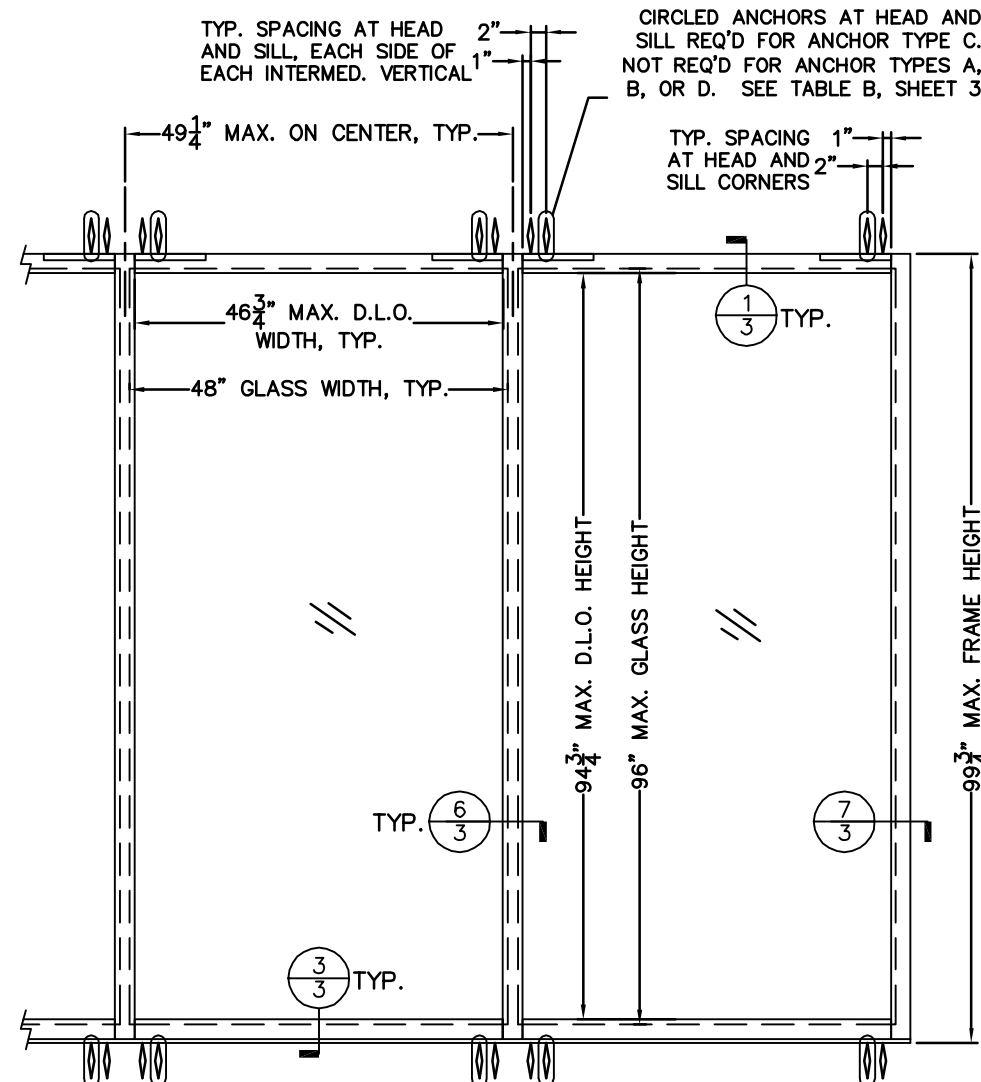


ELEVATION: GLASS TYPES G-1 AND G-2



ELEVATION: GLASS TYPE G-3

- GENERAL NOTES:**
1. THIS PRODUCT HAS BEEN TESTED TO ASTM E 283, ASTM E 330, ASTM E 331, AAMA 501.1, ASTM E1886/1996, AND TAS 201/202/203, AND MEETS THE REQUIREMENTS OF THE FLORIDA BUILDING CODE, CURRENT EDITION, INCLUDING THE HIGH VELOCITY HURRICANE ZONE.
  2. THIS PRODUCT IS LARGE MISSILE IMPACT RESISTANT AND DOES NOT REQUIRE THE USE OF SHUTTERS IN WINDBORNE DEBRIS REGIONS.
  3. THIS PRODUCT MAY BE INSTALLED IN UNLIMITED WIDTHS PROVIDED THE MAXIMUM VERTICAL ON-CENTER AND DLO WIDTHS ARE NOT EXCEEDED.
  4. THE DESIGN PRESSURE RATINGS OF THIS PRODUCT AS DETAILED IN TABLE A, THIS SHEET, ARE AS LIMITED BY ASTM E-1300 04E01/09 GLASS TABLES, WATER PERFORMANCE, TESTED PRESSURES, AND COMPARATIVE ANALYSIS.
  5. SEALING AND FLASHING STRATEGIES FOR OVERALL WATER PERFORMANCE OF INSTALLED PRODUCTS SHALL BE IN ACCORDANCE WITH MANUFACTURER'S PUBLISHED INSTRUCTIONS AND ARE THE RESPONSIBILITY OF OTHERS.
  6. THE 4/3 ALLOWABLE STRESS INCREASE HAS NOT BEEN USED IN THE ANCHOR ANALYSIS FOR THIS SYSTEM. THE 1.6 Cd FACTOR WAS USED IN THE ANALYSIS OF WOOD SUBSTRATE ONLY.
  7. STRUCTURAL SUITABILITY OF THE OPENING TO RECEIVE LOADS IMPARTED FROM THIS PRODUCT TO BE VERIFIED BY THE DESIGN PROFESSIONAL FOR EACH PROJECT. BUCKING, OPENINGS & BUCKING FASTENERS MUST BE PROPERLY DESIGNED & INSTALLED TO TRANSFER WIND LOADS TO THE STRUCTURE.
  8. DISSIMILAR MATERIALS THAT COME INTO CONTACT, INCLUDING BUT NOT LIMITED TO FASTENERS IN PRESSURE TREATED WOOD, SHALL BE COATED OR OTHERWISE PROTECTED PER FBC TO PREVENT GALVANIC REACTIONS.
  9. INSTALLATIONS SHALL BE IN ACCORDANCE WITH THESE DRAWINGS UNLESS OTHERWISE APPROVED BY A LICENSED DESIGN PROFESSIONAL.
  10. SUB-SILL RUNS THROUGH. VERTICALS/JAMBS RUN THROUGH, WHILE HEAD, SILLS, AND HORIZONTALS ARE CUT, SEALED WITH DOW 795, BUTTED, AND FASTENED TO VERTICALS/JAMBS WITH ITEM 67 SCREWS, QUANTITY AS SHOWN IN SECTION DETAILS. FOR INTERNAL JOINERY DETAILS NOT SHOWN IN THESE DRAWINGS, SEE MANUFACTURER'S PUBLISHED INSTALLATION INSTRUCTIONS.

TUBELITE  
SERIES T34000  
STOREFRONT SYSTEM  
LARGE MISSILE IMPACT

3058 WALKER RIDGE DRIVE N.W.  
WALKER, MICHIGAN 49544  
PH: 800.566.2227  
FX: 616.301.1009  
WEB SITE: WWW.TUBELITEINC.COM

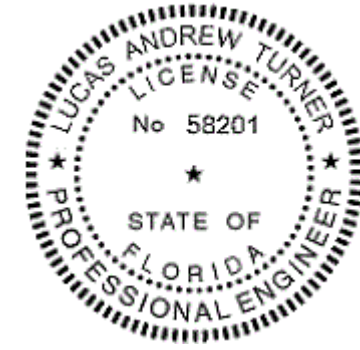
**TUBELITE**  
DEPENDABLE  
LEADERS IN ECO-EFFICIENT STOREFRONT  
CURTAINWALL AND ENTRANCE SYSTEMS

REVISION HISTORY:	
REV	DESCRIPTION
0	ORIGINAL RELEASE
1	UPDATE BOM TAB. B

TABLE A. DESIGN PRESSURES AND QUALIFIED OPTIONS

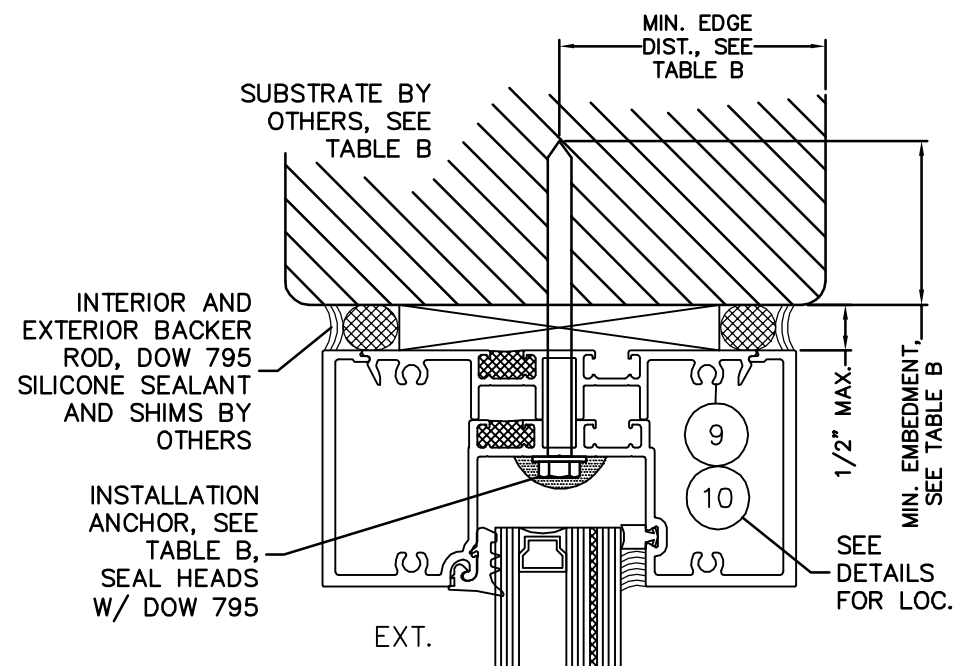
DESIGN PRESSURE RATING	IMPACT RATING	GLASS TYPE	GLAZING DESCRIPTION <sup>1,2,3</sup>	WET OR DRY GLAZED	MAX. D.L.O. HEIGHT	MAX. FRAME HEIGHT	REQ'D VERT. MULLION
+58/-55 PSF	LARGE AND SMALL MISSILE IMPACT	G-1	1/4" T + 1/2" AIR + 1/4" HS   .077 VS02   1/4" HS	WET	118-3/4"	123-3/4"	HD (T34261)
+58/-55 PSF	LARGE AND SMALL MISSILE IMPACT	G-2	1/4" T + 1/2" AIR + 1/4" HS   .090 SGP   1/4" HS	WET	118-3/4"	123-3/4"	HD (T34261)
+55/-55 PSF	LARGE AND SMALL MISSILE IMPACT	G-2	1/4" T + 1/2" AIR + 1/4" HS   .090 SGP   1/4" HS	DRY	118-3/4"	123-3/4"	HD (T34261)
+/-50 PSF	LARGE AND SMALL MISSILE IMPACT	G-3	1/4" T + 1/2" AIR + 1/4" HS   .090 PVB   1/4" HS	WET	94-3/4"	99-3/4"	STND. (T34441)

<sup>1</sup> VS02 INDICATES EASTMAN SAFLEX CP INTERLAYER WITH PET CORE (FORMERLY VANCEVA STORM VS-02)  
<sup>2</sup> SGP INDICATES KURARAY SENTRYGLAS INTERLAYER (FORMERLY DUPONT SENTRYGLAS PLUS)  
<sup>3</sup> PVB INDICATES KURARAY BUTACITE PVB INTERLAYER (FORMERLY DUPONT)

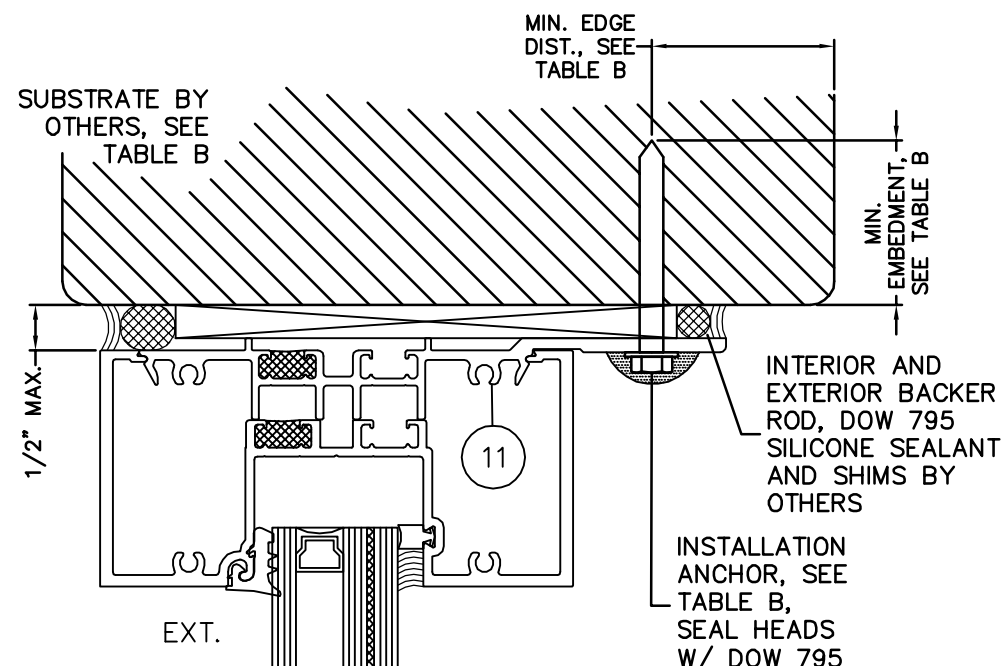


22  
 8/17/2018  
 LUCAS A. TURNER, P.E.  
 FL PE # 58201  
 TURNER ENGINEERING & CONSULTING, INC.  
 (COA # 29779)  
 2428 OLD NATCHEZ TRACE  
 TRL., CAMDEN, TN 38320  
 PH. 941-380-1574

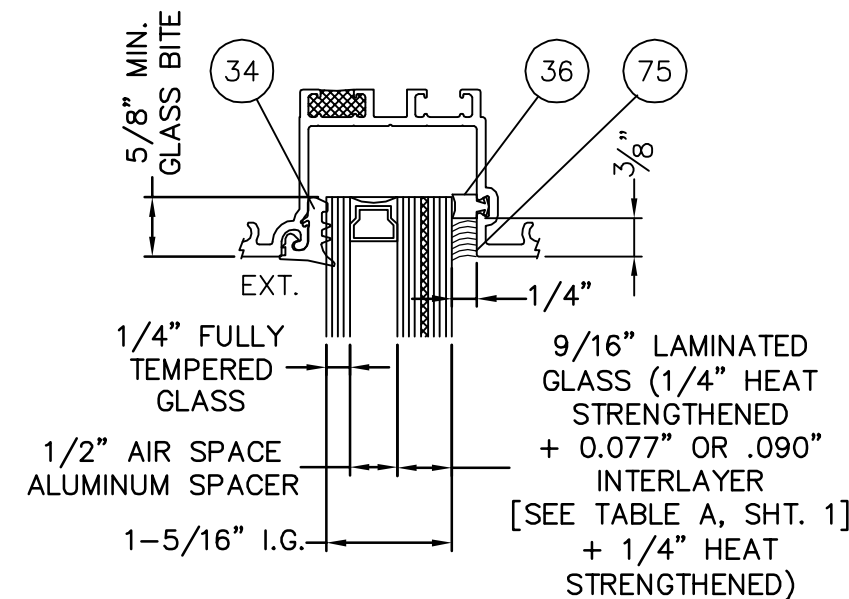
DATE:	08.17.18
DRAWING NUMBER:	FPA-T34000-LM
DRAWN:	
FINAL REVIEW:	
SCALE:	N.T.S.
REVISION:	A
SHEET NAME:	TABLE A, ELEVATIONS, GEN. NOTES
SHEET:	1 OF 5



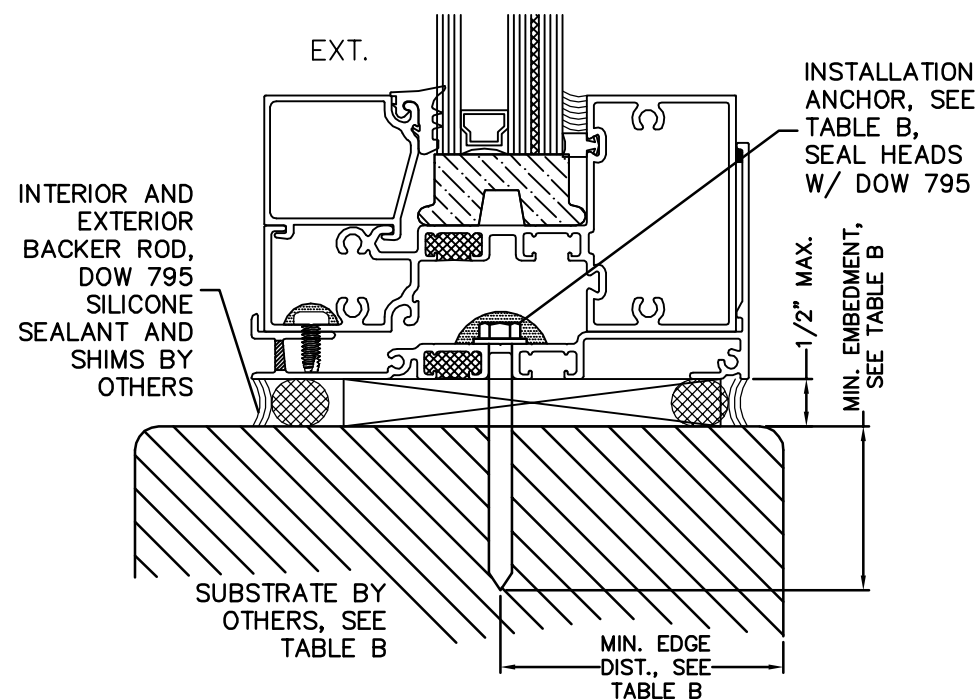
TYPICAL HEAD/JAMB ANCHORAGE



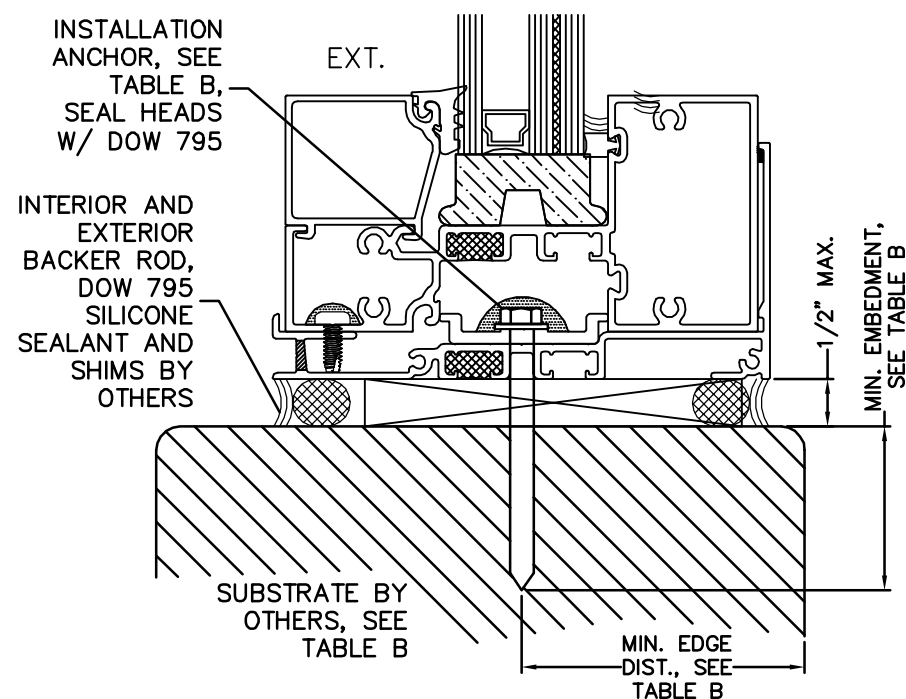
ALTERNATE HEAD/JAMB STRAP ANCHORAGE



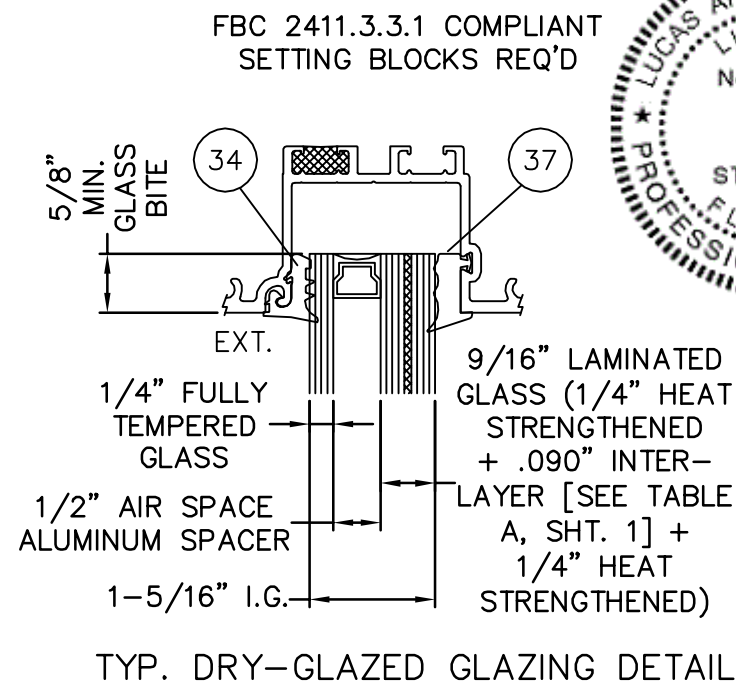
TYP. WET-GLAZED GLAZING DETAIL



TYPICAL SILL ANCHORAGE



TYPICAL SILL ANCHORAGE AT DOOR MULL



TYP. DRY-GLAZED GLAZING DETAIL

FBC 2411.3.3.1 COMPLIANT  
SETTING BLOCKS REQ'D

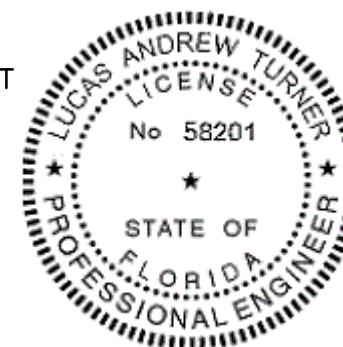


TABLE B. QUALIFIED INSTALLATION ANCHOR INFORMATION

ID	SUBSTRATE	ANCHOR	MIN. EMBEDMENT	MIN. EDGE DISTANCE
A	SOLID UNCRACKED CONCRETE (3000 PSI MIN)	3/8" HILTI KWIK BOLT 3 CARBON OR STAINLESS STEEL	1 5/8"	2 1/2"
B	SOLID UNCRACKED CONCRETE (4000 PSI MIN)	3/8" POWERS WEDGE BOLT CARBON STEEL	2"	4 1/2"
C	SOUTHERN PINE WOOD (G=0.55 MIN)	3/8" GRADE 5 LAG SCREW	3"	2"
D	1/4" ALUM. 6063-T5 MIN. OR 1/8" STEEL 36 KSI MIN.	5/16-24 ELCO DRIL-FLEX OR HILTI KWIK-FLEX	SEE NOTE 5	3/4"

NOTE: INSTALL ONE FASTENER AT EACH LOCATION INDICATED BY ↓ SYMBOL IN ELEVATIONS.

ANCHORAGE NOTES:

- SHIMS SHALL BE LOAD-BEARING (PLASTIC OR METALLIC) AND CAPABLE OF TRANSFERRING APPLIED LOADS FROM THE PRODUCTS TO THE OPENING SUBSTRATES.
- SHIM EACH ANCHOR LOCATION WHERE GAP GREATER THAN 1/16" EXISTS BETWEEN PRODUCT FRAME AND OPENING SUBSTRATE.
- SPECIFIED EMBEDMENT TO BASE MATERIAL SHALL BE BEYOND WALL FINISH OR STUCCO.
- MINIMUM ANCHOR SPACING SHALL BE 2"
- ANCHORS THROUGH METAL SHALL BE OF SUFFICIENT LENGTH TO PROVIDE THREAD ENGAGEMENT THROUGH THE FULL METAL WALL THICKNESS

ZZ

8/17/2018  
LUCAS A. TURNER, P.E.  
FL PE # 58201  
TURNER ENGINEERING & CONSULTING, INC.  
(COA # 29779)  
2428 OLD NATCHEZ TRACE  
TRL., CAMDEN, TN 38320  
PH. 941-380-1574

TUBELITE  
SERIES T34000  
STOREFRONT SYSTEM  
LARGE MISSILE IMPACT

3058 WALKER RIDGE DRIVE N.W.  
WALKER, MICHIGAN 49544  
PH: 800.566.2227  
FX: 616.301.0099  
WEB SITE: WWW.TUBELITEINC.COM

TUBELITE  
DEPENDABLE  
LEADERS IN ECO-EFFICIENT STOREFRONT  
CURTAINWALL AND ENTRANCE SYSTEMS

REVISION HISTORY:

REV	DATE	DRAWN	DESCRIPTION
0	8.19.14	LT	ORIGINAL RELEASE
A	8.17.18	LT	UPDATE BOM, TAB. B

DATE: 08.17.18

DRAWING NUMBER:

FPA-T34000-LM

DRAWN:

FINAL REVIEW:

SCALE: N.T.S.

REVISION: A

SHEET NAME:

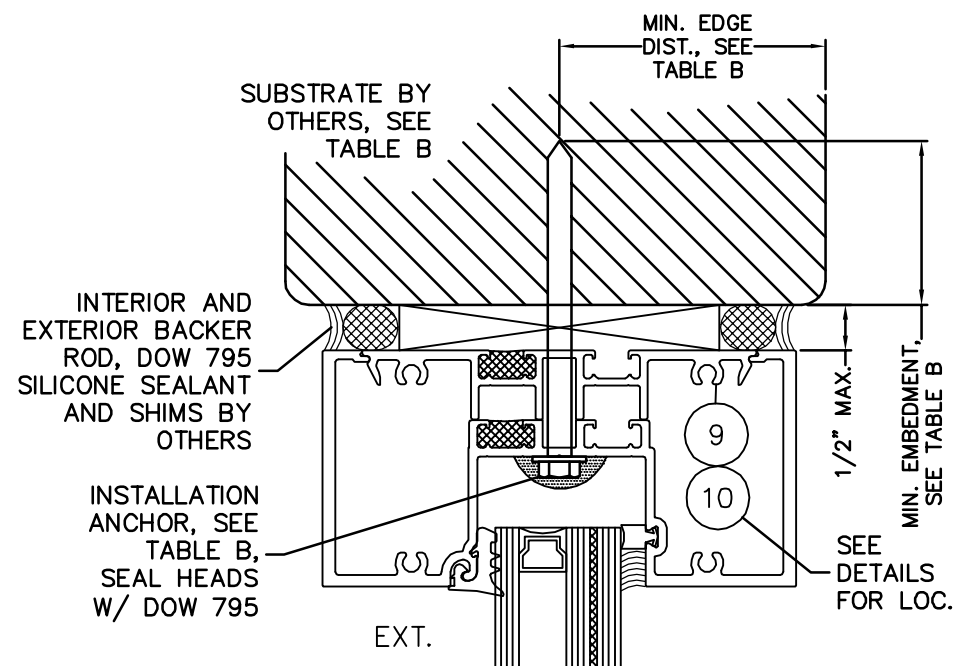
INSTALLATION

DETAILS

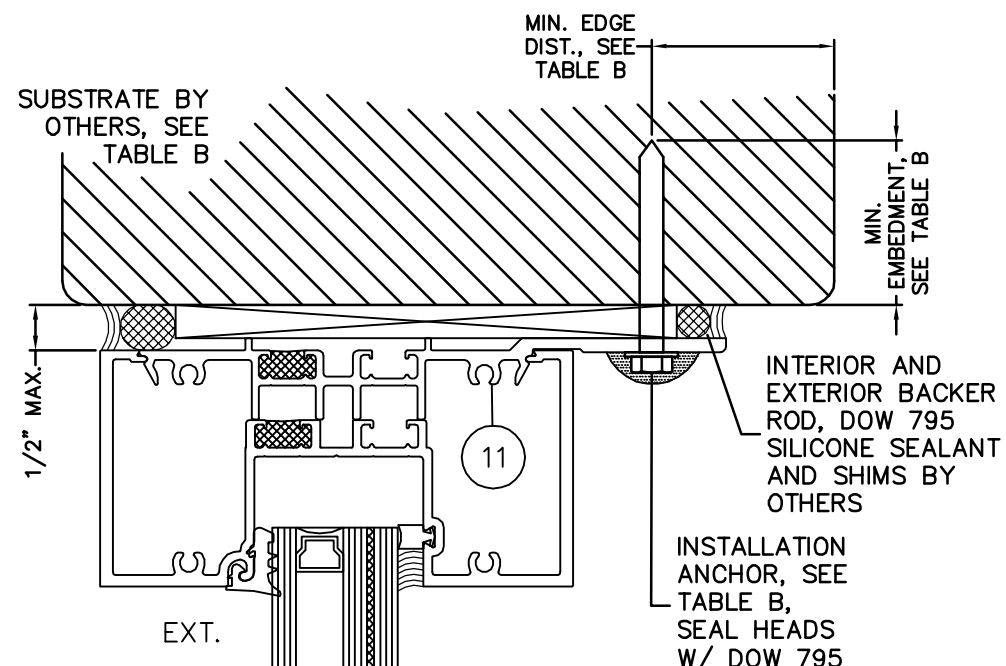
GLAZING DETAILS

SHEET: 2 OF 5

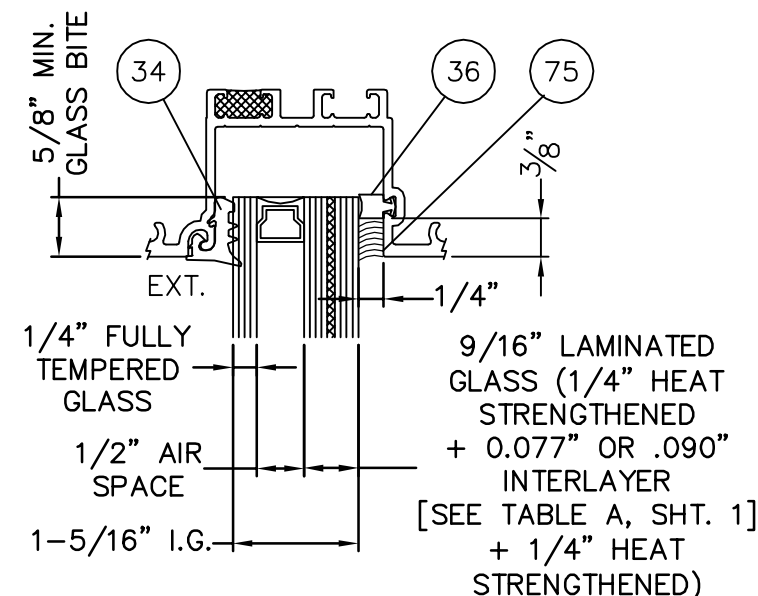




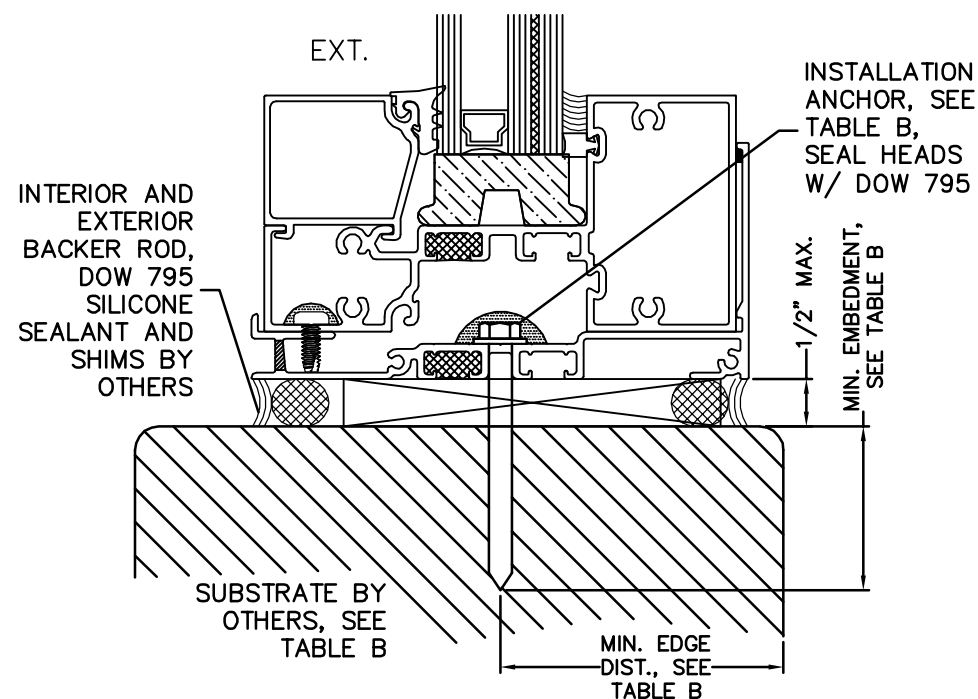
TYPICAL HEAD/JAMB ANCHORAGE



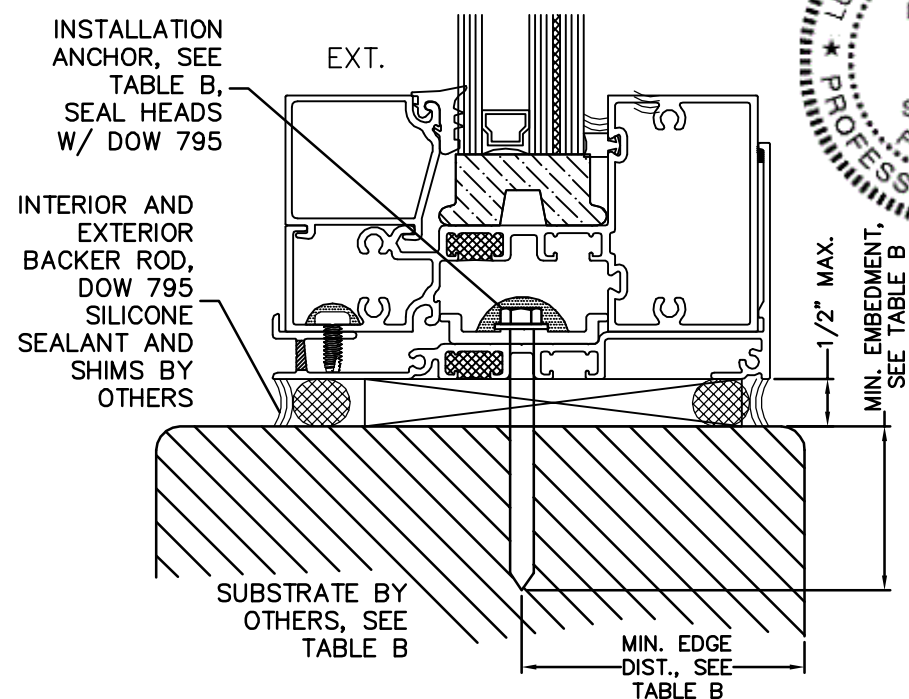
ALTERNATE HEAD/JAMB STRAP ANCHORAGE



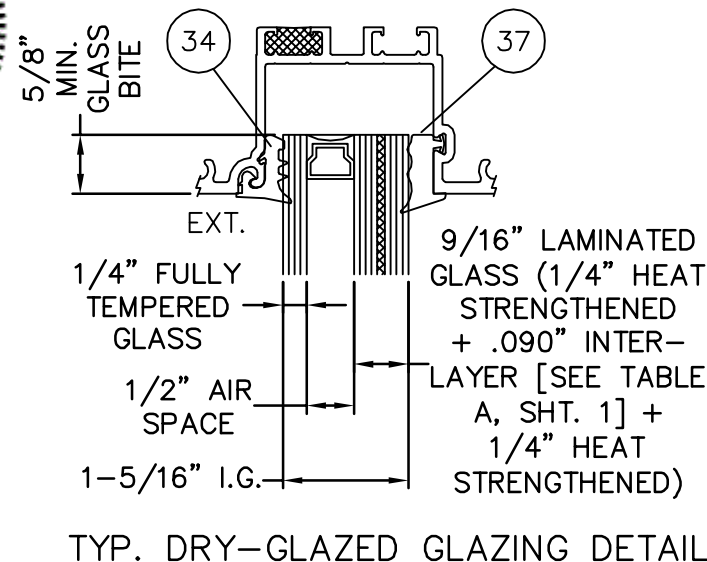
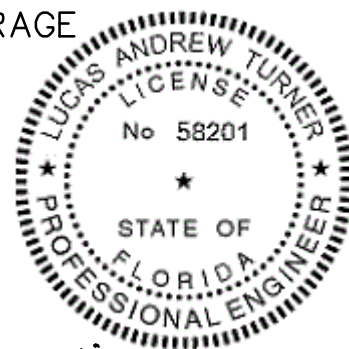
TYP. WET-GLAZED GLAZING DETAIL



TYPICAL SILL ANCHORAGE



TYPICAL SILL ANCHORAGE AT DOOR MULL



TYP. DRY-GLAZED GLAZING DETAIL

TABLE B. QUALIFIED INSTALLATION ANCHOR INFORMATION

ID	SUBSTRATE	ANCHOR	MIN. EMBEDMENT	MIN. EDGE DISTANCE
A	SOLID UNCRACKED CONCRETE (3000 PSI MIN)	3/8" HILTI KWIK BOLT 3 CARBON OR STAINLESS STEEL	1 5/8"	2 1/2"
B	SOLID UNCRACKED CONCRETE (4000 PSI MIN)	3/8" POWERS WEDGE BOLT CARBON STEEL	2"	4 1/2"
C	SOUTHERN PINE WOOD (G=0.55 MIN)	3/8" GRADE 5 LAG SCREW	3"	2"
D	1/4" ALUM. 6063-T5 MIN. OR 1/8" STEEL 36 KSI MIN.	5/16-24 ELCO DRIL-FLEX OR HILTI KWIK-FLEX	SEE NOTE 5	3/4"

NOTE: INSTALL ONE FASTENER AT EACH LOCATION INDICATED BY ↓ SYMBOL IN ELEVATIONS.

ANCHORAGE NOTES:

- SHIMS SHALL BE LOAD-BEARING (PLASTIC OR METALLIC) AND CAPABLE OF TRANSFERRING APPLIED LOADS FROM THE PRODUCTS TO THE OPENING SUBSTRATES.
- SHIM EACH ANCHOR LOCATION WHERE GAP GREATER THAN 1/16" EXISTS BETWEEN PRODUCT FRAME AND OPENING SUBSTRATE.
- SPECIFIED EMBEDMENT TO BASE MATERIAL SHALL BE BEYOND WALL FINISH OR STUCCO.
- MINIMUM ANCHOR SPACING SHALL BE 2"
- ANCHORS THROUGH METAL SHALL BE OF SUFFICIENT LENGTH TO PROVIDE THREAD ENGAGEMENT THROUGH THE FULL METAL WALL THICKNESS

ZZ

8/17/2018  
 LUCAS A. TURNER, P.E.  
 FL PE # 58201  
 TURNER ENGINEERING &  
 CONSULTING, INC.  
 (COA # 29779)  
 2428 OLD NATCHEZ TRACE  
 TRL., CAMDEN, TN 38320  
 PH. 941-380-1574

TUBELITE  
 SERIES T34000  
 STOREFRONT SYSTEM  
 LARGE MISSILE IMPACT

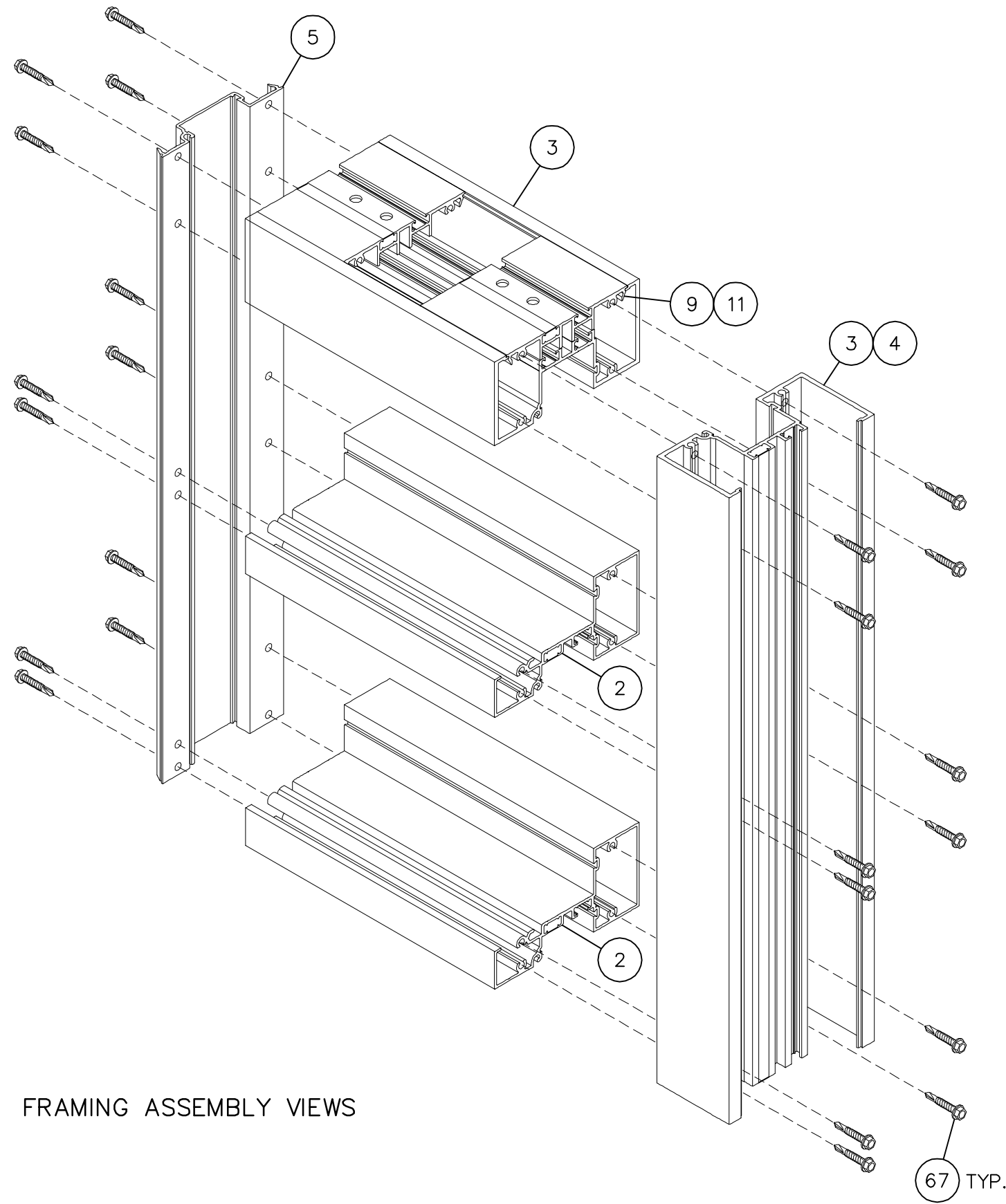
3058 WALKER RIDGE DRIVE N.W.  
 WALKER, MICHIGAN 49544  
 PH: 800.566.2227  
 FX: 616.301.1009  
 WEB SITE: WWW.TUBELITEINC.COM

**TUBELITE**  
 DEPENDABLE  
 LEADERS IN ECO-EFFICIENT STOREFRONT  
 CURTAINWALL AND ENTRANCE SYSTEMS

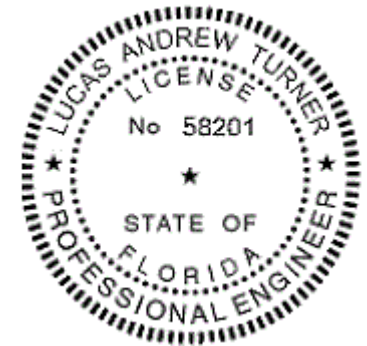
REVISION HISTORY:			
REV	DATE	DESCRIPTION	BY
0	8.19.14	ORIGINAL RELEASE	
1	8.17.18	UPDATE BOM, TAB. B	

DATE:	08.17.18
DRAWING NUMBER:	FPA-T34000-LM
DRAWN:	
FINAL REVIEW:	
SCALE:	N.T.S.
REVISION:	A
SHEET NAME:	INSTALLATION DETAILS GLAZING DETAILS
SHEET:	2 OF 5





FRAMING ASSEMBLY VIEWS



8/17/2018  
 LUCAS A. TURNER, P.E.  
 FL PE # 58201  
 TURNER ENGINEERING &  
 CONSULTING, INC.  
 (COA # 29779)  
 2428 OLD NATCHEZ TRACE  
 TRL., CAMDEN, TN 38320  
 PH. 941-380-1574

TUBELITE  
 SERIES T34000  
 STOREFRONT SYSTEM  
 LARGE MISSILE IMPACT

**TUBELITE**  
 DEPENDABLE  
 LEADERS IN ECO-EFFICIENT STOREFRONT CURTAINWALL AND ENTRANCE SYSTEMS  
 3058 WALKER RIDGE DRIVE N.W.  
 WALKER, MICHIGAN 49544  
 PH: 800.566.2227  
 FX: 916.301.0095  
 WEB SITE: WWW.TUBELITEINC.COM

REVISION HISTORY:

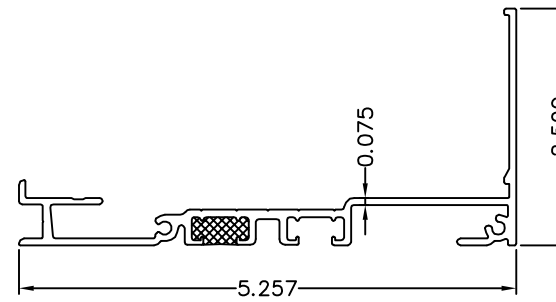
REV	DATE	DRAWN	DESCRIPTION
0	8.19.14	LT	ORIGINAL RELEASE
A	8.17.18	LT	UPDATE BOM, TAB. B

DATE: 08.17.18  
 DRAWING NUMBER:  
 FPA-T34000-LM  
 DRAWN:  
 FINAL REVIEW:  
 SCALE: N.T.S.  
 REVISION: A

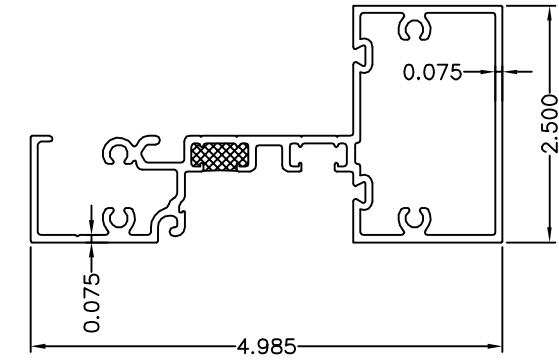
SHEET NAME:  
 ASSEMBLY  
 DETAILS  
 SHEET: 4 OF 5



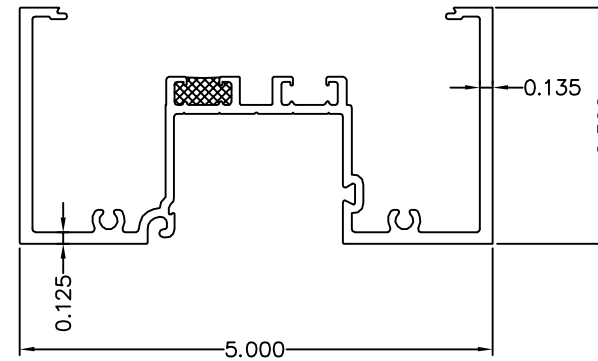
HURRICANE STOREFRONT TEST SPECIMEN – BILL OF MATERIALS			
ITEM	PART NUMBER	DESCRIPTION	MATERIAL
1	T34259	EXTRUSION ~ SUB SILL	ALUMINUM-6063-T6
2	T34143	EXTRUSION ~ INTERMEDIATE HORIZONTAL/SILL	ALUMINUM-6063-T6
3	T34441	EXTRUSION ~ VERTICAL/HEAD	ALUMINUM-6063-T6
4	T34261	EXTRUSION ~ HD VERTICAL	ALUMINUM-6063-T6
5	T34445	EXTRUSION ~ SHALLOW POCKET FILLER	ALUMINUM-6063-T6
8	E34104	EXTRUSION ~ GLASS STOP SILL/HORIZONTAL	ALUMINUM-6063-T5
9	P3446T	EXTRUSION ~ SNAP IN FILLER (T34442)	ALUMINUM-6063-T6
10	P3445T	EXTRUSION ~ SNAP IN FILLER (T34442)	ALUMINUM-6063-T6
11	P3432T	EXTRUSION ~ SNAP IN FILLER / STRAP ANCHOR (T34031)	ALUMINUM-6063-T6
32	P3443	PERIMETER CAULK BACKER – FLAT LEG SNAP IN FILLER	P-PART-RIGID PVC
33	P1916	W ANTI-WALK BLOCK	P-PART-EPDM
34	P6503	TOP LOAD WEDGE GASKET, GLASS, EPG	P-PART-RUBBER
35			
36	P6587	WET GLAZE GASKET, GLASS, EPG	P-PART-RUBBER
37	P6586	PRESET WEDGE GASKET, GLASS, EPG	P-PART-RUBBER
38	P6541	SETTING BLOCK 3/4 x 1 3/4 x 4" LG	P-PART-RUBBER
39			
40			
41	P6581	WATER DIVERTER	P-PART-PVC
42	P1156	END DAM FOR SUB SILL	P-PART-ALUM .040 SHT.
62	S206	SCREW ~ #10-24 x 1/2" P PH TYPE 23 ST (SILL TO SUB SILL)	P-PART-FASTENER
64	S161	SCREW ~ #10-24 x 1/2" PHIL FLAT HD UC MS	P-PART-FASTENER
67	S419	SCREW ~ #12-14 x 1 1/2" HWH SD #3PT (FRAME TO FRAME)	P-PART-FASTENER
68	S196	SCREW ~ #8 X 3/8" SELF TAPPING PAN HEAD (END DAM TO SUB SILL)	P-PART-FASTENER
74	BY OTHERS	SILICONE SEALANT DOW 795	P-PART-SEALANT
75	BY OTHERS	SILICONE SEALANT DOW 995	P-PART-SEALANT



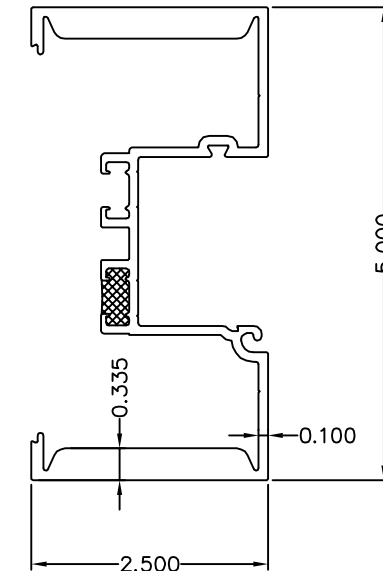
ITEM 1-T34259  
SUB SILL



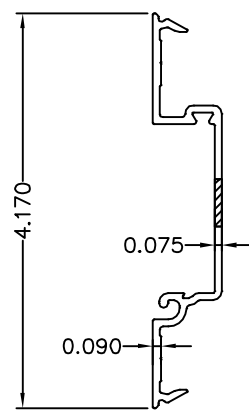
ITEM 2-T34143  
INTERMEDIATE HORIZONTAL/SILL



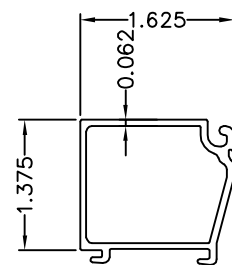
ITEM 3-T34441  
VERTICAL/HEAD



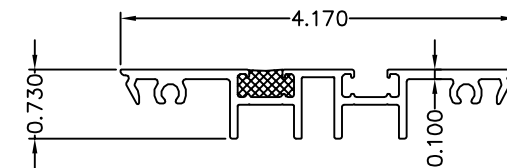
ITEM 4-T34261  
HD VERTICAL



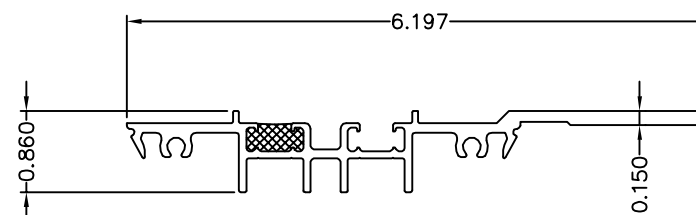
ITEM 5-T34445 (SLOTTED)  
SHALLOW POCKET FILLER



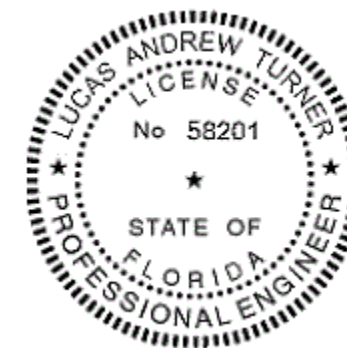
ITEM 8-E34104  
GLASS STOP SILL/HORIZONTAL



ITEM 9 (P3446T 9" LG), ITEM 10 (P3445T 4" LG)  
(T34442) FILLER FOR STANDARD ANCHORING



ITEM 11-P3432T 9" LG  
(T34031) STRAP ANCHOR



22  
8/17/2018  
LUCAS A. TURNER, P.E.  
FL PE # 58201  
TURNER ENGINEERING &  
CONSULTING, INC.  
(COA # 29779)  
2428 OLD NATCHEZ TRACE  
TRL., CAMDEN, TN 38320  
PH. 941-380-1574

TUBELITE  
SERIES T34000  
STOREFRONT SYSTEM  
LARGE MISSILE IMPACT

3058 WALKER RIDGE DRIVE N.W.  
WALKER, MICHIGAN 49544  
PH: 800.566.2227  
FX: 616.301.1000  
WEB SITE: WWW.TUBELITEINC.COM

**TUBELITE**  
DEPENDABLE  
LEADERS IN ECO-EFFICIENT STOREFRONT  
CURTAINWALL AND ENTRANCE SYSTEMS

REVISION HISTORY:

REV	DATE	DRAWN	DESCRIPTION
0	8.19.14	LT	ORIGINAL RELEASE
1	8.17.18	LT	UPDATE BOM, TAB. B

DATE: 08.17.18  
DRAWING NUMBER:  
FPA-T34000-LM  
DRAWN:  
FINAL REVIEW:  
SCALE: N.T.S.  
REVISION: A

SHEET NAME:  
PART DWGS,  
BILL OF  
MATERIALS  
SHEET: 5 OF 5