

GENERAL NOTES:

- THIS PRODUCT HAS BEEN TESTED, ANALYZED & APPROVED FOR DESIGN PRESSURES NOT TO EXCEED THOSE SHOWN IN THE "ALLOWABLE DESIGN PRESSURE TABLE(S)".
- OPENINGS, BUCKING & BUCKING FASTENERS MUST BE PROPERLY DESIGNED & INSTALLED TO TRANSFER WIND LOADS TO THE STRUCTURE.
- ALL HARDWARE & FASTENERS SHALL BE IN ACCORDANCE WITH THESE DRAWINGS & SHALL NOT VARY UNLESS SPECIFICALLY MENTIONED ON THE DRAWINGS. SPECIFIED ANCHOR EMBED TO BASE MATERIAL SHALL BE BEYOND WALL FINISH OR STUCCO.
- THIS PRODUCT HAS BEEN DESIGNED IN ACCORDANCE WITH AND MEETS THE REQUIREMENTS OF THE FLORIDA BUILDING CODE (FBC) INCLUDING HIGH VELOCITY HURRICANE ZONES (HVHZ) & IS LARGE MISSILE IMPACT RATED.
- IMPACT SHUTTERS ARE NOT REQUIRED WITH THIS PRODUCT.
- ALL ANCHORS SECURING PRODUCT FRAMES TO PRESSURE TREATED BUCKS OR WOOD FRAMING SHALL BE CAPABLE OF RESISTING CORROSION CAUSED BY THE PRESSURE TREATING CHEMICALS IN THE WOOD.
- DETERMINE THE POSITIVE & NEGATIVE DESIGN LOADS TO USE WHEN REFERENCING THESE DOCUMENTS IN ACCORDANCE WITH THE GOVERNING CODE AND GOVERNING WIND VELOCITY. FOR WIND LOAD CALCULATIONS IN ACCORDANCE WITH THE FLORIDA BUILDING CODE, A DIRECTIONALITY FACTOR OF $K_d = 0.85$ MAY BE APPLIED PER THE ASCE-7 STANDARD.
- MATERIALS, INCLUDING BUT NOT LIMITED TO STEEL SCREWS, THAT COME INTO CONTACT WITH OTHER DISSIMILAR MATERIALS SHALL MEET THE REQUIREMENTS OF FLORIDA BUILDING CODE.
- TO THE BEST OF OUR KNOWLEDGE, THE PRODUCT SHOWN HEREIN IS QUALITY ASSURED BY A FLORIDA STATE APPROVED CERTIFICATION/QA ENTITY & SHALL BE LABELED IN ACCORDANCE WITH THE FBC AND THE FLORIDA DEPARTMENT OF BUSINESS & PROFESSIONAL REGULATION SPECIFICATIONS. THESE DRAWINGS SHOW ALL APPLICABLE ELEVATION, COMBINATION, INSTALLATION & COMPARATIVE ANALYSIS CONDITIONS AS DETERMINED THROUGH TESTING & ENGINEERING RATIONAL ANALYSIS. PRODUCT ASSEMBLY SHALL BE IN ACCORDANCE WITH THESE DRAWINGS, THE MANUFACTURER'S QUALITY ASSURANCE SPECIFICATIONS & TESTING REPORTS.
- CERTIFICATION OF THIS PRODUCT SHALL BE CONSIDERED VOID IF IT IS INSTALLED WITHOUT A BUILDING PERMIT FROM THE APPLICABLE LOCAL BUILDING DEPARTMENT OR IF IT IS INSTALLED BY ANYONE OTHER THAN A LICENSED CONTRACTOR EXPERIENCED WITH INSTALLATIONS OF THIS TYPE OF PRODUCT.
- ALL WOOD MEMBERS OF THIS PRODUCT THAT MAY POSSIBLY COME INTO CONTACT WITH MASONRY OR CONCRETE SUBSTRATES, ARE SUBJECT TO MOISTURE &/OR ARE SUBJECT TO THE OUTSIDE ENVIRONMENT SHALL BE OF AN APPROVED DURABLE SPECIES OR BE TREATED IN AN APPROVED METHOD WITH AN APPROVED PRESERVATIVE PER FBC REQUIREMENTS.

ALLOWABLE DESIGN PRESSURE (DOUBLE DOORS)

MAXIMUM FRAME WIDTH (IN.)	MAXIMUM FRAME HEIGHT (IN.)	DESIGN PRESSURE	
		POSITIVE (PSF)	NEGATIVE (PSF)
98.75	121.75	50.0	50.0
	110	55.3	55.3
	98	62.1	62.1
93	121.75	53.1	53.1
	110	58.8	58.8
	98	65.0	66.0
87	121.75	56.8	56.8
	110	62.8	62.8
	98	65.0	70.5
81	121.75	61.0	61.0
	110	65.0	67.5
	98	65.0	75.7
74.25	121.75	65.0	66.5
	110	65.0	73.6
	98	65.0	80.0
68	121.75	65.0	72.6
	110	65.0	80.0
62	121.75	65.0	79.6

ALLOWABLE DESIGN PRESSURE (SINGLE DOORS)

MAXIMUM FRAME WIDTH (IN.)	MAXIMUM FRAME HEIGHT (IN.)	DESIGN PRESSURE	
		POSITIVE (PSF)	NEGATIVE (PSF)
49.75	121.75	50.0	50.0
	110	55.3	55.3
	98	60.4	60.4
47	121.75	52.9	52.9
	110	58.6	58.6
	98	63.2	63.9
44	121.75	56.5	56.5
	110	62.6	62.6
	98	65.0	68.3
41	121.75	60.7	60.7
	110	65.0	67.2
	98	65.0	73.3
37.5	121.75	65.0	66.3
	110	65.0	73.4
	98	65.0	80.0
35	121.75	65.0	71.1
	110	65.0	78.7
31	121.75	65.0	80.0

ALLOWABLE DESIGN PRESSURE (TRANSOM MULLION)

MAXIMUM FRAME WIDTH (IN.)	MAXIMUM OVERALL HEIGHT (IN.)	DESIGN PRESSURE	
		POSITIVE (PSF)	NEGATIVE (PSF)
98.75	173.75	50.0	50.0
	162	53.6	53.6
	150	57.9	57.9
	138	63.0	63.0
	126	65.0	68.9
	114	65.0	76.2
93	173.75	53.1	53.1
	162	56.9	56.9
	150	61.5	61.5
	138	65.0	66.8
	126	65.0	73.2
	114	65.0	80.0
87	173.75	56.8	56.8
	162	60.9	60.9
	150	65.0	65.7
	138	65.0	71.5
	126	65.0	78.3
	114	65.0	80.0
81	173.75	61.0	61.0
	162	65.0	65.4
	150	65.0	70.6
	138	65.0	76.7
	126	65.0	80.0
	114	65.0	80.0
74.25	173.75	65.0	66.5
	162	65.0	71.3
	150	65.0	77.0
	138	65.0	80.0

EVALUATION OF THIS PRODUCT IS BASED ON APPLICABLE STANDARDS AND/OR INFORMATION & RESULTS FROM APPLICABLE TEST REPORTS. THE FLORIDA BUILDING CODE VERSION CONSIDERED WITH THIS EVALUATION WAS THAT IN FORCE AT THE TIME OF THE EVALUATION. IN THE EVENT OF CODE VERSION CHANGES/UPDATES OR IN THE EVENT THAT NEW OR ADDITIONAL TESTING IS COMPLETED ON THIS PRODUCT, PRIOR TO STATING CODE COMPLIANCE WITH THE STATE, THE MANUFACTURER SHALL CONFIRM WITH THE EVALUATION ENGINEER OF RECORD THAT EVERYTHING SPECIFIED HERE-IN IS CURRENT WITH ALL CURRENT TESTING, CODES AND APPLICABLE STANDARDS.

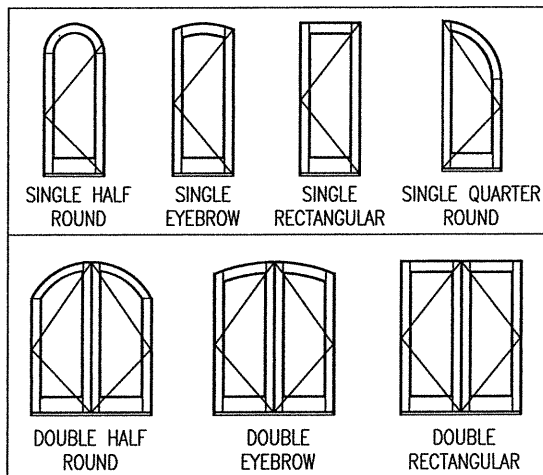
POSITIVE PRESSURE NOTE: WHEN THE ADA THRESHOLD IS USED, THE DOOR UNITS ARE NOT APPROVED FOR USE WHERE WATER INFILTRATION RESISTANCE IS REQUIRED BY THE DOOR UNLESS THE UNITS ARE INSTALLED IN NON-HABITABLE AREAS WHERE THE UNIT & THE AREA ARE DESIGNED TO ACCEPT WATER INFILTRATION OR THE UNITS ARE INSTALLED AT LOCATIONS PROTECTED BY A CANOPY OR OVERHANG WHERE-BY THE OVERHANG(OH) RATIO IS EQUAL TO OR MORE THAN 1.0 PER FBC.

ALLOWABLE DESIGN PRESSURE (VERTICAL MULLION)
AS CONTROLLED BY DOOR PRESSURE TABLES

NOTE:
WITH MULLED UNITS, ALLOWABLE PRESSURE FOR THE OVERALL UNIT SHALL BE THE LESSER OF THE ALLOWABLE PRESSURE FOR THE INDIVIDUAL DOORS AND MULLION.

FRAME ANCHOR REQUIREMENTS TABLE

OPENING TYPE (SUBSTRATE)	FRAME/HINGE/STRIKE/CLIP TO OPENING FASTENER TYPE	MINIMUM EMBED	MINIMUM EDGE DIST.
FRAME SCREWS			
MIN. 2X4 WOOD FRAME OR BUCK (MIN. GR. 3 & G=0.55)	NO. 10 SMS OR WOOD SCREW	1 1/4"	3/4"
MIN. 16 GA. 33 KSI METAL STUD	NO. 10 GR. 5 SELF TAP/DRILL SCREW	FULL	1/2"
MIN. 1/8" THK A36 STEEL	NO. 10 GR. 5 SELF TAP/DRILL SCREW	FULL	1/2"
MIN. 1/8" THK 6063-T5 ALUM.	NO. 10 GR. 5 SELF TAP/DRILL SCREW	FULL	1/2"
MIN. C-90 CMU	(1) 1/4" CONCRETE SCREW	1 1/4"	2"
MIN. 2500 PSI CONCRETE	(1) 1/4" CONCRETE SCREW	1 1/2"	2"
HINGE SCREWS			
MIN. 2X4 WOOD FRAME OR BUCK (MIN. GR. 3 & G=0.55)	NO. 12 SMS OR WOOD SCREW	1 1/4"	3/4"
MIN. 16 GA. 33 KSI METAL STUD	NO. 12 GR. 5 SELF TAP/DRILL SCREW	FULL	1/2"
MIN. 1/8" THK A36 STEEL	NO. 12 GR. 5 SELF TAP/DRILL SCREW	FULL	1/2"
MIN. 1/8" THK 6063-T5 ALUM.	NO. 12 GR. 5 SELF TAP/DRILL SCREW	FULL	1/2"
MIN. C-90 CMU	(1) 1/4" CONCRETE SCREW	1 1/4"	2"
MIN. 2500 PSI CONCRETE	(1) 1/4" CONCRETE SCREW	1 1/2"	2"
STRIKE SCREWS			
MIN. 2X4 WOOD FRAME OR BUCK (MIN. GR. 3 & G=0.55)	NO. 10 SMS OR WOOD SCREW	1 1/4"	3/4"
MIN. 16 GA. 33 KSI METAL STUD	NO. 10 GR. 5 SELF TAP/DRILL SCREW	FULL	1/2"
MIN. 1/8" THK A36 STEEL	NO. 10 GR. 5 SELF TAP/DRILL SCREW	FULL	1/2"
MIN. 1/8" THK 6063-T5 ALUM.	NO. 10 GR. 5 SELF TAP/DRILL SCREW	FULL	1/2"
MIN. C-90 CMU	(1) 3/16" CONCRETE SCREW	1 1/4"	2"
MIN. 2500 PSI CONCRETE	(1) 3/16" CONCRETE SCREW	1 1/2"	2"
MOUNTING CLIP SCREWS			
MIN. 2X4 WOOD FRAME OR BUCK (MIN. GR. 3 & G=0.55)	NO. 8 SMS SCREW	1 3/8"	1/2"
MIN. 16 GA. 33 KSI METAL STUD	NO. 8 GR. 5 SELF TAP/DRILL SCREW	FULL	1/2"
MIN. 1/8" THK A36 STEEL	NO. 8 GR. 5 SELF TAP/DRILL SCREW	FULL	1/2"
MIN. 1/8" THK 6063-T5 ALUM.	NO. 8 GR. 5 SELF TAP/DRILL SCREW	FULL	1/2"



SHAPES CONSIDERED AS PART OF THIS APPROVAL

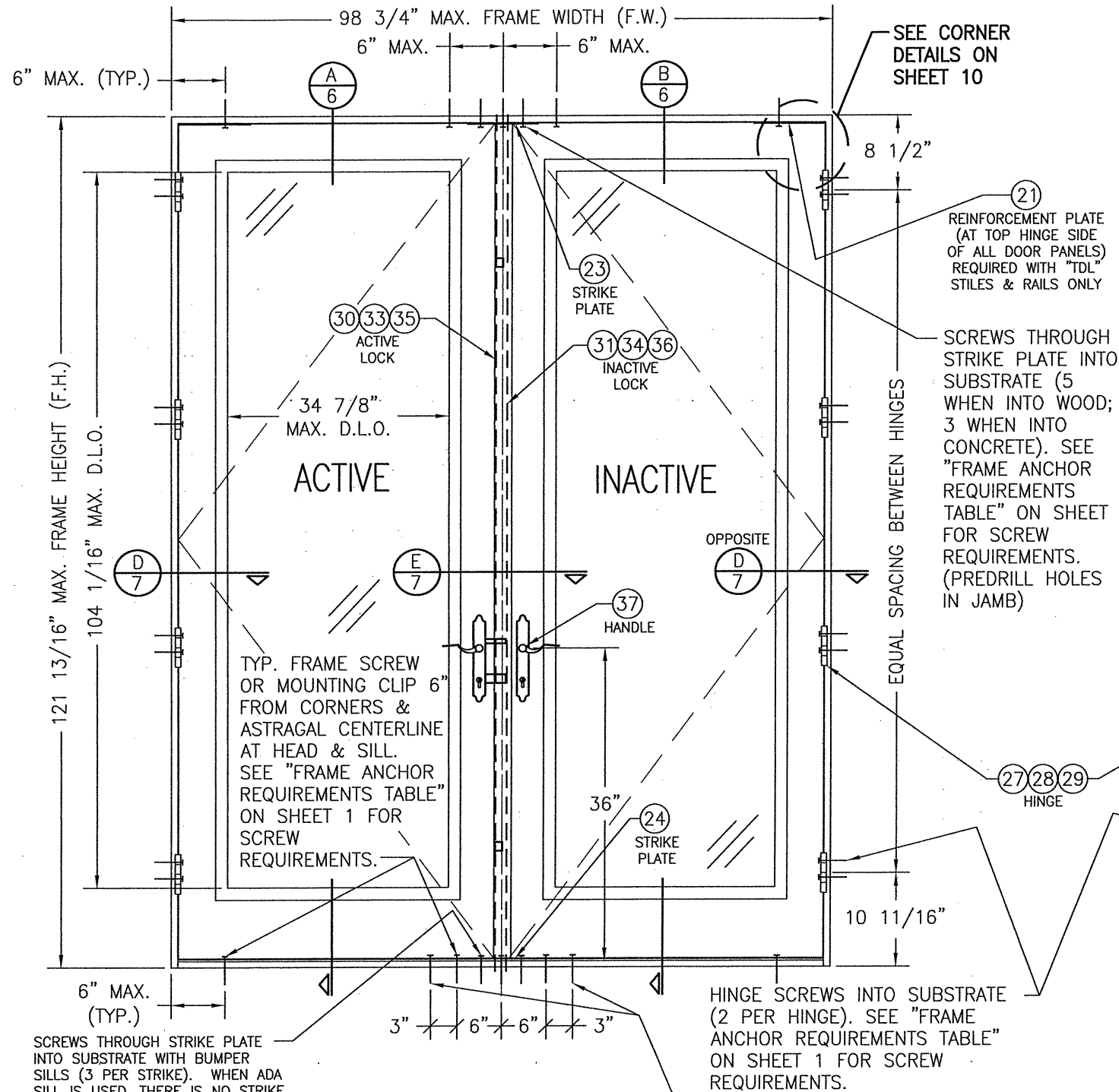
HINGE REQUIREMENTS

MAXIMUM DOOR FRAME HEIGHT	# HINGES REQUIRED	
	PANEL WIDTH 36" & LESS	PANEL WIDTH GREATER THAN 36"
82"	3	3
98"	(1) 4	(1) 4
122"	4	(1) 5

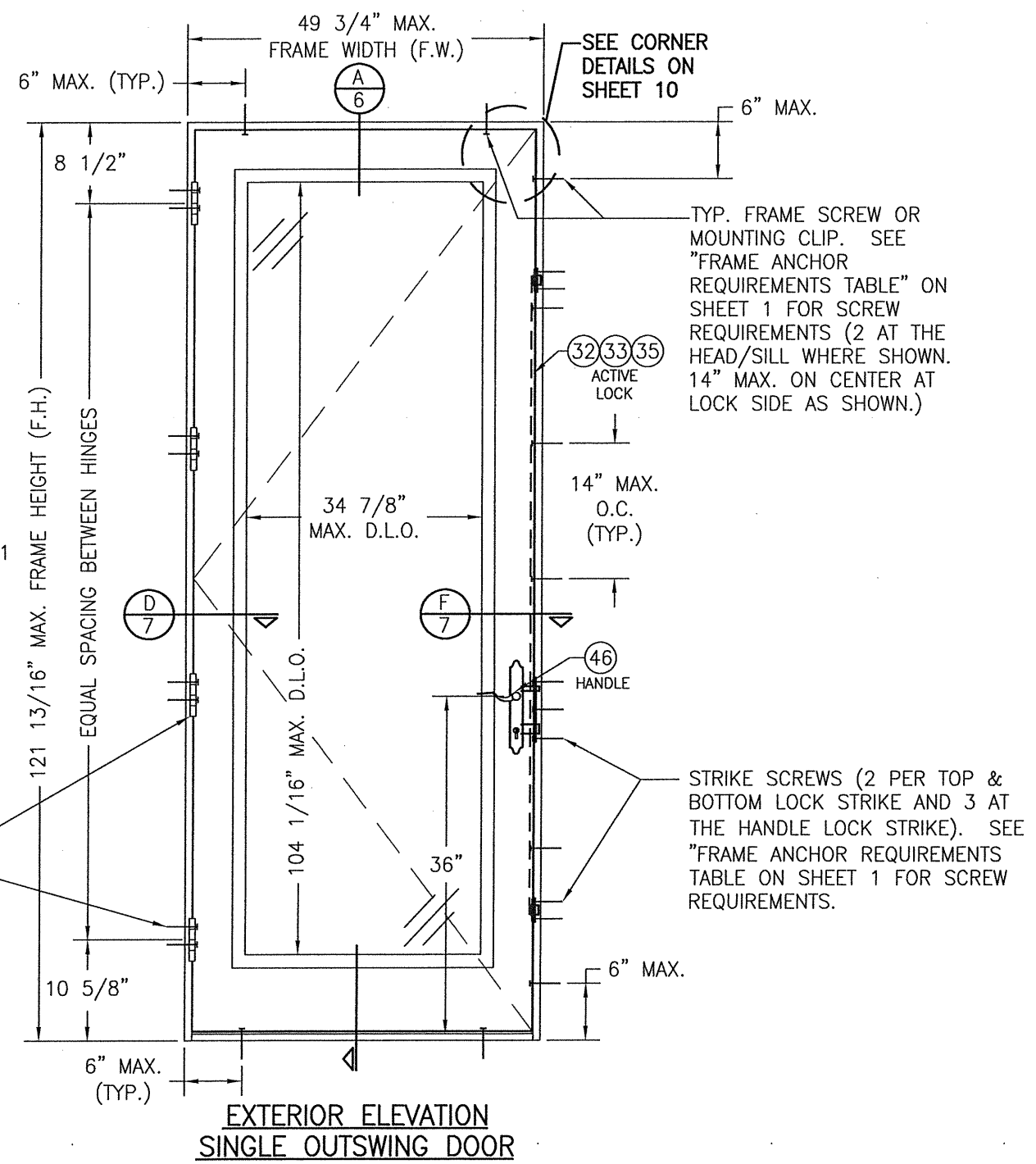
(1) ONE LESS HINGE IS REQUIRED WITH DOUBLE HALF ROUND & SINGLE QUARTER ROUND DOORS.

THESE DRAWINGS ARE APPLICABLE ONLY TO THE PRODUCT SPECIFIED. THEY MAY NOT BE USED FOR THE ASSEMBLY AND/OR INSTALLATION OF ANY OTHER PRODUCT NOR MAY THEY BE USED FOR RATIONAL AND/OR LOCAL APPROVAL OF ANY PRODUCT NOT PRODUCED BY THE MANUFACTURER STATED ON THESE DRAWINGS.

DRAWN BY: W.W.S.	CHECKED BY: W.W.S.		
DATE: 01/09/15	DATE: 09/03/14		
PLOT: 1=16			
NO.	DATE	BY	REVISION DESCRIPTION
A1	01/09/15	W.W.S.	UPDATE TO CURRENT STANDARDS
B1	08/04/17	W.W.S.	ADDED DP RESTRICTION UNDER SHEET 2 SINGLE DOOR
C1	01/29/19	W.W.S.	ADD ALTERNATE THRESHOLD
D1	08/05/20	W.W.S.	ADD ALTERNATE BALDWIN LOCK
D2	08/05/20	W.W.S.	ADD ALTERNATE THRESHOLD
MANUFACTURER SIGNATURE DOOR INC. 401 JUNIATA STREET ALTOONA, PA 16602 814-949-2770			
CONSULTANTS W. SCHAEFER ENGINEERING & CONSULTING, P.A. (CA 6809) 7480 150TH COURT NORTH PALM BEACH GARDENS, FL 33418 PHONE: 561-744-3424			
PROFESSIONAL ENGINEER WARREN W. SCHAEFER LICENSE No. 44135 AUG 04 2020			
DRAWING NO. 1887	REV. D	SHEET NO. 1 OF 11	



**EXTERIOR ELEVATION
DOUBLE OUTSWING DOOR**
SCALE: 3/4"=1'-0"



**EXTERIOR ELEVATION
SINGLE OUTSWING DOOR**
SCALE: 3/4"=1'-0"

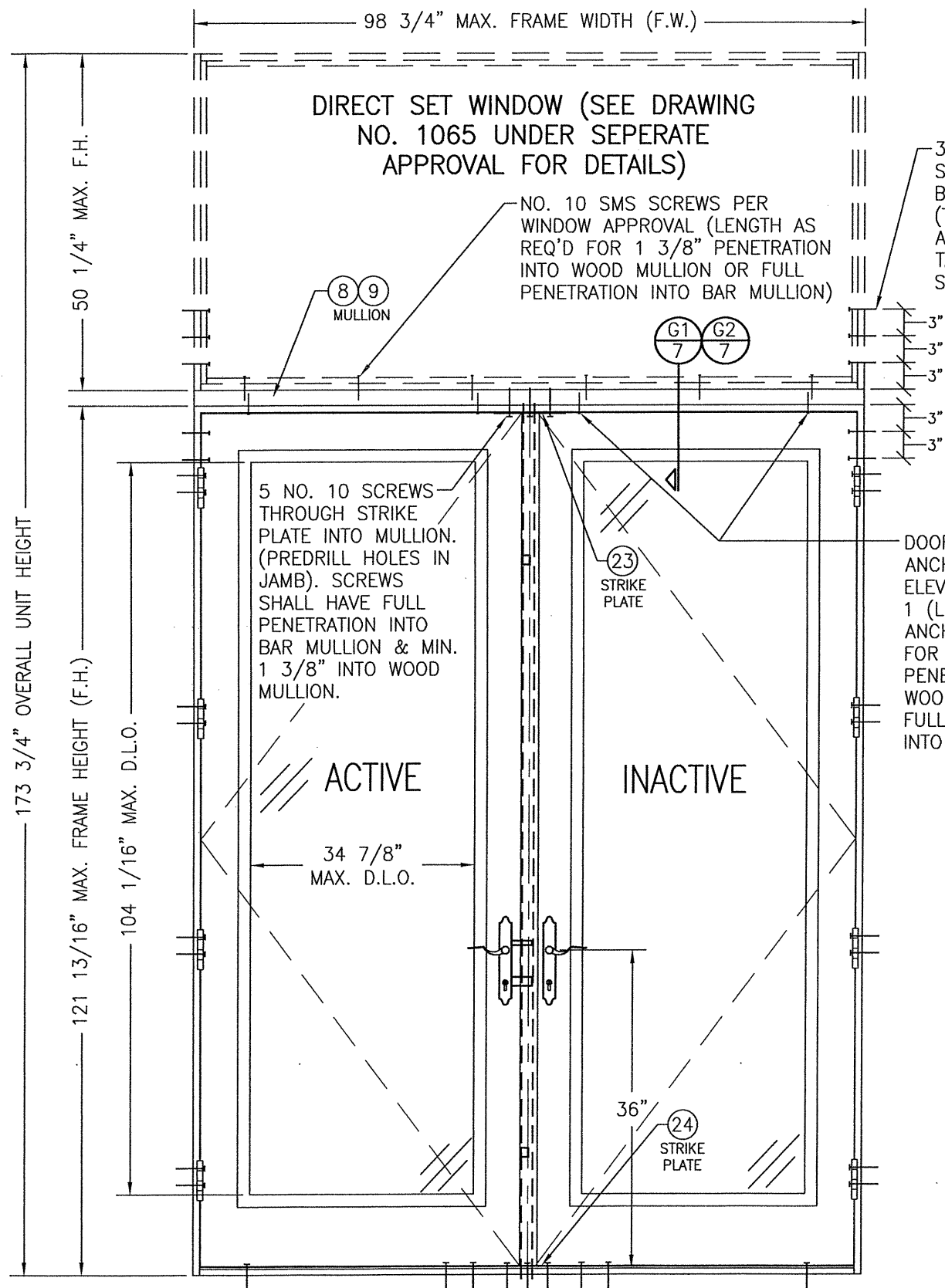
NOTE: SINGLE DOOR SHOWN HAS THE 3-POINT LOCK SYSTEMS. AN ALTERNATE LOCK MAY BE EITHER A SINGLE POINT BALDWIN 6021 OR 6023 MORTISE LOCK IF THE DOOR FRAME SIZE IS 37 9/16" X 97 5/16" OR LESS.

NOTE: WHEN EITHER THE SINGLE POINT BALDWIN 6021 OR 6023 LOCK IS USED, THE ALLOWABLE PRESSURE ON THE DOOR MAY NOT EXCEED +/-60 PSF.

FASTENERS THROUGH STRIKE PLATE INTO SUBSTRATE WITH BUMPER SILLS (5 WHEN INTO WOOD; (3 WHEN INTO CONCRETE). WHEN ADA SILL IS USED, THERE IS NO STRIKE PLATE AND ALL ANCHORS RUN THROUGH SILL ONLY INTO SUBSTRATE.

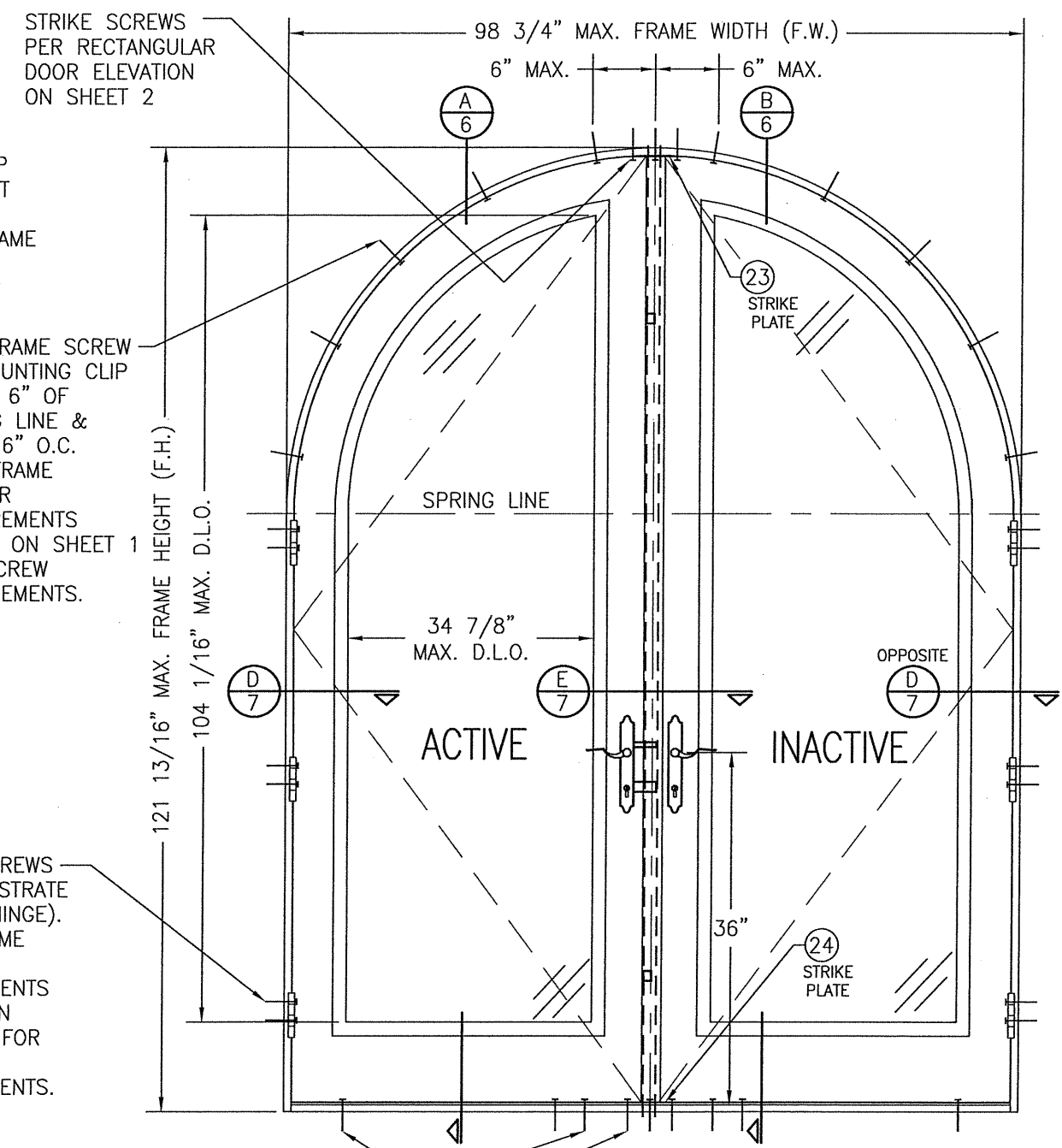
NOTE: DOORS MAY BE FULLY GLAZED AS SHOWN, PARTIALLY PANELED OR FULLY PANELED. SEE SHEET 4 ELEVATION FOR PANELED DOORS.

DRAWN BY: W.W.S.		CHECKED BY: W.W.S.	
PLOT: 1=16		DATE: 09/03/14	
DATE	BY	REVISION DESCRIPTION	
NO.			
10 FOOT WOOD OUTSWING IMPACT DOORS			
CONSULTANTS		MANUFACTURER	
W. W. SCHAEFER ENGINEERING & CONSULTING, P.A. (CA 6809)		SIGNATURE DOOR INC. 401 JUNIATA STREET ALTOONA, PA 16602 814-949-2770	
7480 150TH COURT NORTH PALM BEACH GARDENS, FL 33418 PHONE: 561-744-3424			
DRAWING NO.	REV.		
1887	D		
SHEET NO.			
2 OF 11			



**EXTERIOR ELEVATION
DOUBLE DOOR WITH TRANSOM**

SCALE: 3/4"=1'-0"
SEE DOUBLE DOOR ELEVATION ON SHEET 2 FOR DETAIL NOT SHOWN

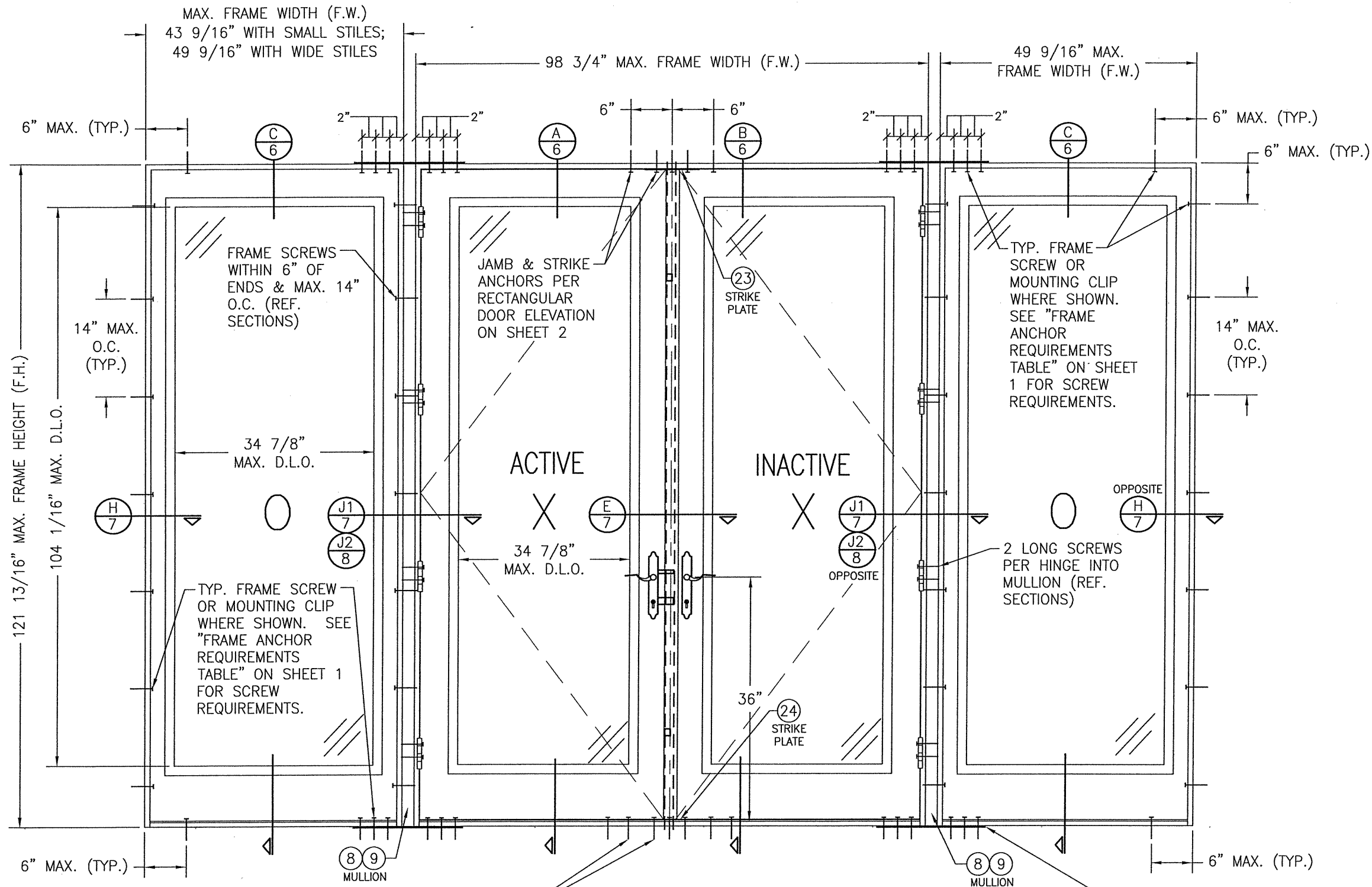


**EXTERIOR ELEVATION
DOUBLE HALF ROUND DOOR**

SCALE: 3/4"=1'-0"
SEE DOUBLE DOOR ELEVATION ON SHEET 2 FOR DETAIL NOT SHOWN

NOTE: DOORS MAY BE FULLY GLAZED AS SHOWN, PARTIALLY PANELED OR FULLY PANELED. SEE SHEET 5 ELEVATION FOR PANELED DOORS.

DRAWN BY: W.W.S.	CHECKED BY: W.W.S.
PLOT: 1-16	DATE: 09/03/14
DATE	
BY	
REVISION DESCRIPTION	
NO.	
DRAWING TITLE 10 FOOT WOOD OUTSWING IMPACT DOORS	
CONSULTANTS W. W. SCHAEFER ENGINEERING & CONSULTING, P.A. (CA 6809)	MANUFACTURER SIGNATURE DOOR INC.
7480 150TH COURT NORTH PALM BEACH GARDENS, FL 33418 PHONE: 561-744-3424	401 JUNIATA STREET ALTOONA, PA 16602 814-949-2770
CERTIFICATION STATE OF FLORIDA LICENSE WARREN W. SCHAEFER No. 44135 EXPIRES AUG 20 2020	P.E. WARREN W. SCHAEFER P.E. NO. 44135
DRAWING NO. 1887	REV. D
SHEET NO. 3 OF 11	



**EXTERIOR ELEVATION
MULTIPLE OPERABLE/FIXABLE UNIT**

SCALE: 3/4"=1'-0"
 (FOR ANY DETAIL NOT SHOWN, SEE ELEVATION ON SHEET 2)
 NOTE: OXXO DOOR SHOWN. ALL OTHER 4-PANEL CONFIGURATIONS
 OF SINGLE/DOUBLE DOORS & SIDELIGHTS ALSO APPLY.

NOTE: DOORS MAY BE FULLY
 GLAZED AS SHOWN, PARTIALLY
 PANELED OR FULLY PANELED.
 SEE SHEET 5 ELEVATION FOR
 PANELED DOORS.

(26)
 REINFORCEMENT PLATE FASTENED TO
 WOOD MULLION WITH 2 NO. 10 X 2"
 SMS EACH END OR TO STEEL BAR
 MULLION WITH 2 NO. 10 X 1" SMS
 SCREWS THREADED INTO BAR END.
 (REQUIRED ONLY WITH OPERABLE TO
 OPERABLE MULLIED CONDITION. NOT
 REQUIRED WITH SIDELIGHT
 CONDITION.)

SILL AND STRIKE
 PLATE ANCHORS
 PER ELEVATION ON
 SHEET 2

FRAME SCREWS
 WITHIN 6" OF
 ENDS & MAX. 14"
 O.C. (REF.
 SECTIONS)

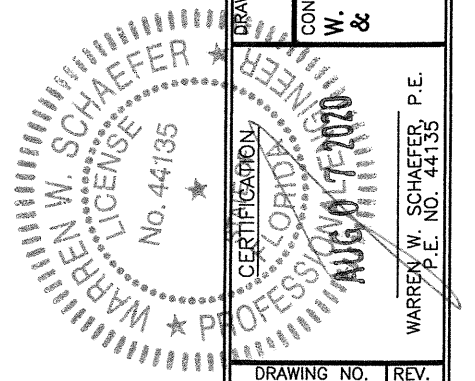
JAMB & STRIKE
 ANCHORS PER
 RECTANGULAR
 DOOR ELEVATION
 ON SHEET 2

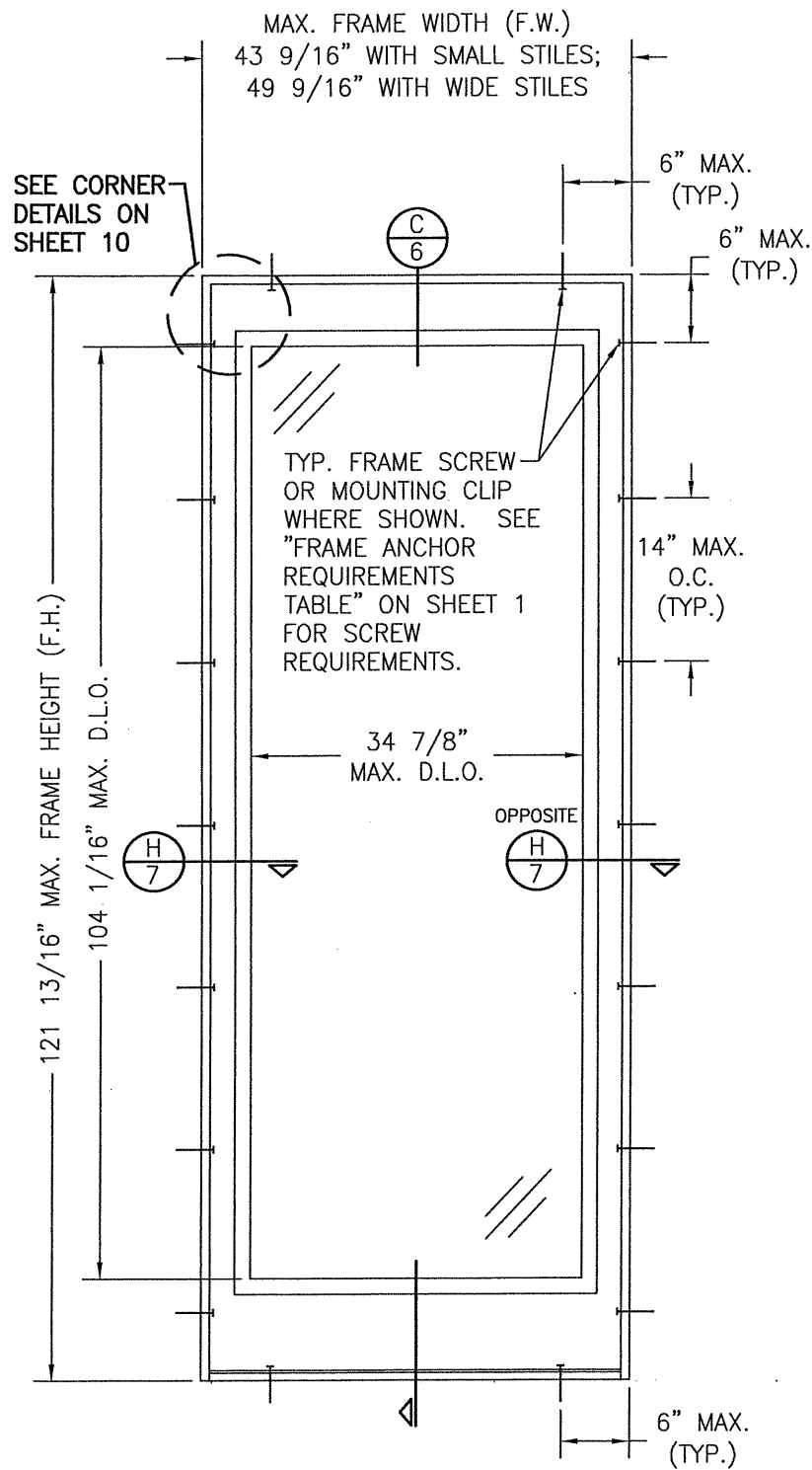
TYP. FRAME
 SCREW OR
 MOUNTING CLIP
 WHERE SHOWN.
 SEE "FRAME
 ANCHOR
 REQUIREMENTS
 TABLE" ON SHEET
 1 FOR SCREW
 REQUIREMENTS.

TYP. FRAME SCREW
 OR MOUNTING CLIP
 WHERE SHOWN. SEE
 "FRAME ANCHOR
 REQUIREMENTS
 TABLE" ON SHEET 1
 FOR SCREW
 REQUIREMENTS.

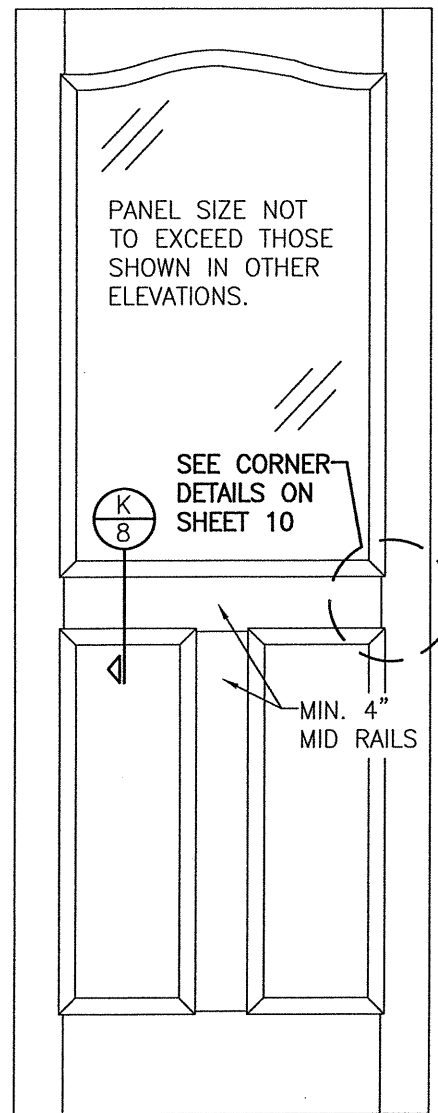
2 LONG SCREWS
 PER HINGE INTO
 MULLION (REF.
 SECTIONS)

DRAWN BY: W.W.S.	CHECKED BY: W.W.S.
PLOT: 1=16	DATE: 09/03/14
NO.	REVISION DESCRIPTION
DATE	BY
DRAWING TITLE 10 FOOT WOOD OUTSWING IMPACT DOORS	
CONSULTANTS W. W. SCHAEFER ENGINEERING & CONSULTING, P.A. (CA 6809)	MANUFACTURER SIGNATURE DOOR INC. 401 JUNIATA STREET ALTOONA, PA 16602 814-949-2770
7480 150TH COURT NORTH PALM BEACH GARDENS, FL 33418 PHONE: 561-744-3424	
CERTIFICATION: FLORIDA PROFESSIONAL ENGINEER WARREN W. SCHAEFER No. 44135 AUG 07 2020	WARREN W. SCHAEFER, P.E. P.E. NO. 44135
DRAWING NO. 1887	REV. D
SHEET NO. 4 OF 11	

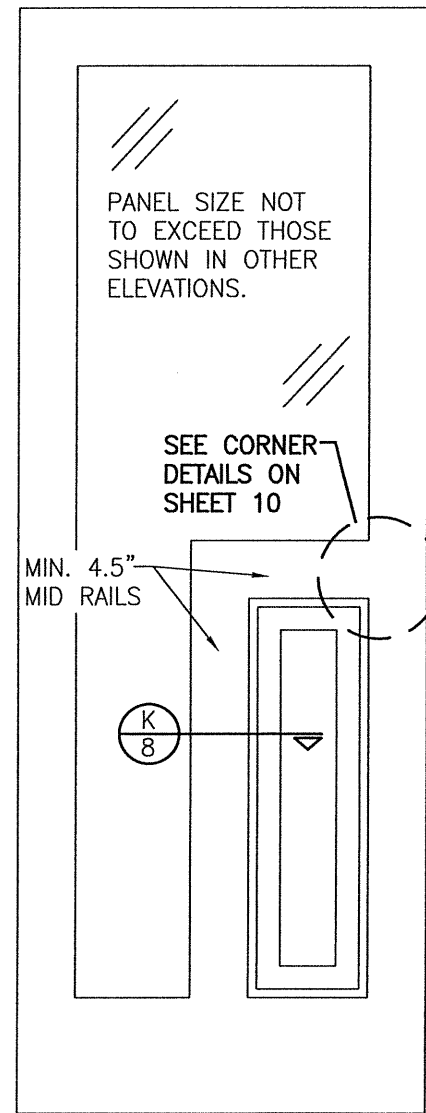




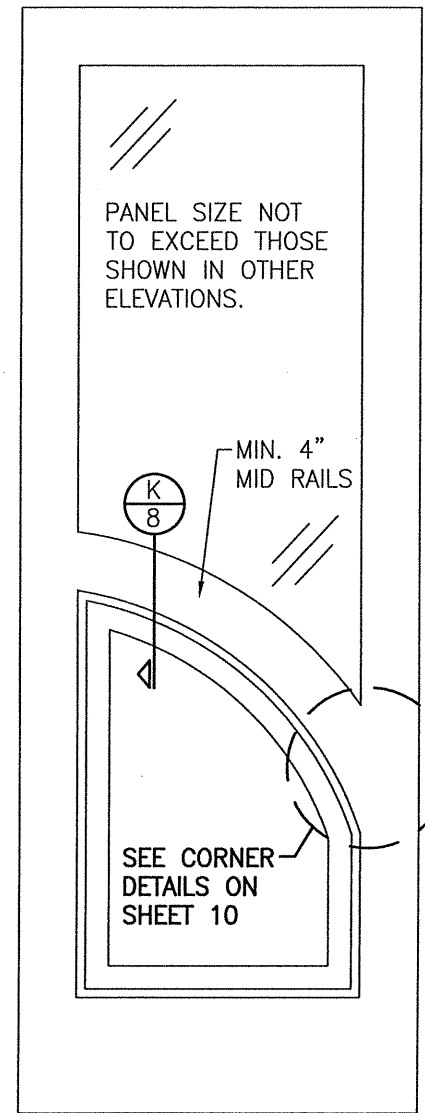
**EXTERIOR ELEVATION
SINGLE FIXED PANEL**
SCALE: 3/4"=1'-0"



**EXTERIOR ELEVATION
SOLID RAISED PANEL WITH
STANDARD MID RAILS**
SCALE: 3/4"=1'-0"



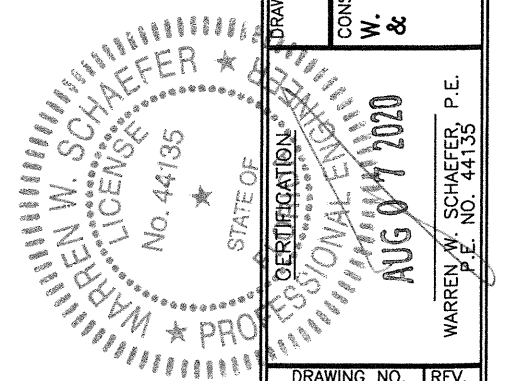
**EXTERIOR ELEVATION
SOLID RAISED PANEL WITH
CORNERED MID RAILS**
SCALE: 3/4"=1'-0"

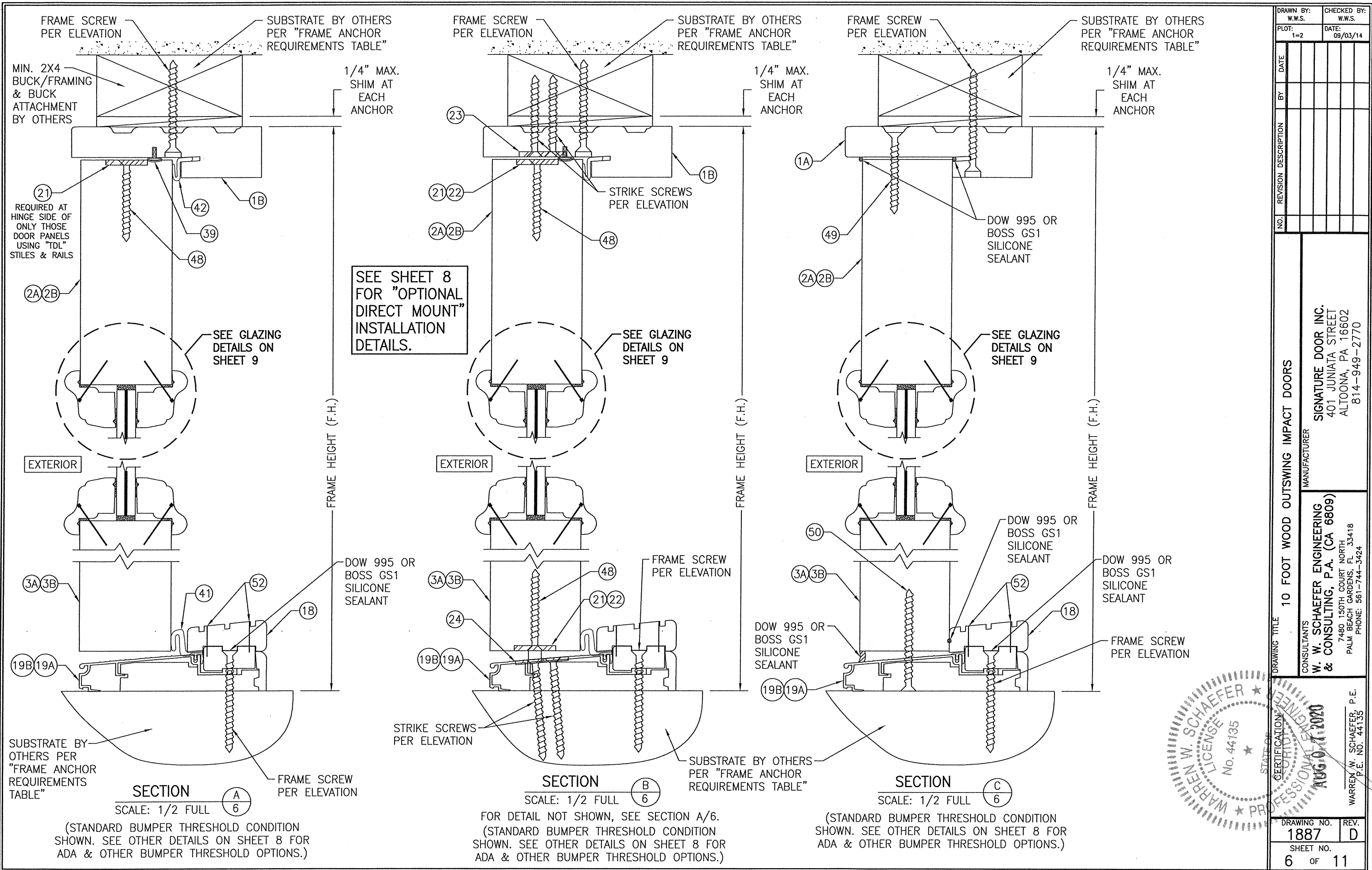


**EXTERIOR ELEVATION
SOLID RAISED PANEL WITH
ARCHED/SHAPED MID RAILS**
SCALE: 3/4"=1'-0"

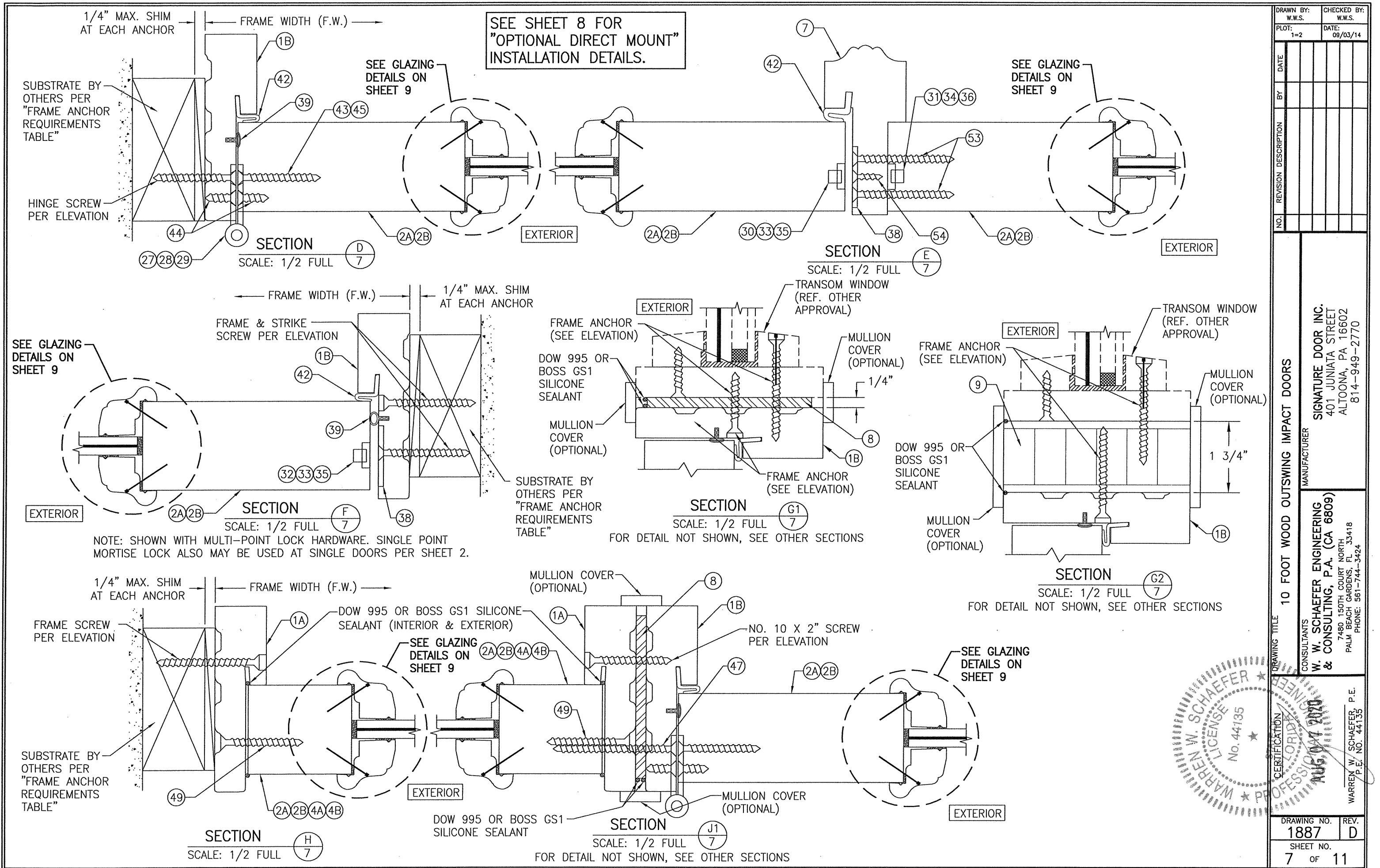
- 1) TOP & MID RAILS MAY BE OF ANY CONFIGURATION PROVIDING THE SMALLEST CROSS SECTION OF RAILS IS EQUAL TO OR LARGER THAN THAT DETAILED IN DRAWINGS.
- 2) MULTIPLE MID RAIL (BOTH HORIZONTAL & VERTICAL) MAY BE USED WITH THESE PANELS.
- 3) PARTIAL PANEL CONDITION IS SHOWN ABOVE. FULL PANEL DOORS AND OTHER PANEL CONFIGURATIONS ARE ALSO PART OF THIS APPROVAL AND ARE SIMILAR IN CONSTRUCTION TO THAT SHOWN ABOVE.
- 4) PANEL ONLY IS SHOWN. FOR INSTALLATION INTO FRAME, SEE OTHER ELEVATIONS.

DRAWN BY: W.W.S.		CHECKED BY: W.W.S.	
PLOT: 1=16		DATE: 09/03/14	
NO.	REVISION	DESCRIPTION	DATE
DRAWING TITLE 10 FOOT WOOD OUTSWING IMPACT DOORS			
CONSULTANTS W. W. SCHAEFER ENGINEERING & CONSULTING, P.A. (CA 6809)		MANUFACTURER SIGNATURE DOOR INC. 401 JUNIATA STREET ALTOONA, PA 16602 814-949-2770	
7480 150TH COURT NORTH PALM BEACH GARDENS, FL 33418 PHONE: 561-744-3424		WARREN W. SCHAEFER P.E. P.E. NO. 44135	
DRAWING NO. 1887		REV. D	
SHEET NO. 5		OF 11	





DRAWN BY: W.W.S.	CHECKED BY: W.W.S.
PLOT: 1-2	DATE: 09/03/14
NO.	REVISION DESCRIPTION
DATE	BY
DRAWING TITLE 10 FOOT WOOD OUTSWING IMPACT DOORS	
CONSULTANTS W. W. SCHAEFER ENGINEERING & CONSULTING, P.A. (CA 6809) 7480 150TH COURT NORTH PALM BEACH GARDENS, FL 33418 PHONE: 561-744-3424	MANUFACTURER SIGNATURE DOOR INC. 401 JUNIATA STREET ALTOONA, PA 16602 814-949-2770
STATE OF FLORIDA PROFESSIONAL ENGINEER WARREN W. SCHAEFER No. 44135 LICENSE AUG 07 2020	
DRAWING NO. 1887	REV. D
SHEET NO. 6 OF 11	



SEE SHEET 8 FOR "OPTIONAL DIRECT MOUNT" INSTALLATION DETAILS.

SEE GLAZING DETAILS ON SHEET 9

SEE GLAZING DETAILS ON SHEET 9

SUBSTRATE BY OTHERS PER "FRAME ANCHOR REQUIREMENTS TABLE"

HINGE SCREW PER ELEVATION

FRAME & STRIKE SCREW PER ELEVATION

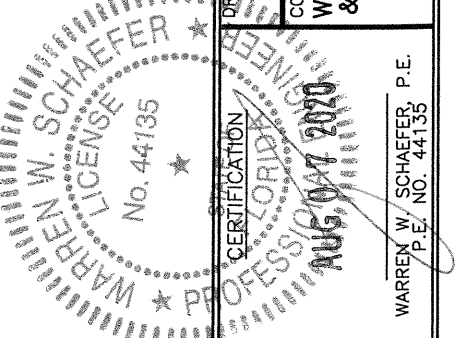
SEE GLAZING DETAILS ON SHEET 9

SUBSTRATE BY OTHERS PER "FRAME ANCHOR REQUIREMENTS TABLE"

NOTE: SHOWN WITH MULTI-POINT LOCK HARDWARE. SINGLE POINT MORTISE LOCK ALSO MAY BE USED AT SINGLE DOORS PER SHEET 2.

SUBSTRATE BY OTHERS PER "FRAME ANCHOR REQUIREMENTS TABLE"

DOW 995 OR BOSS GS1 SILICONE SEALANT



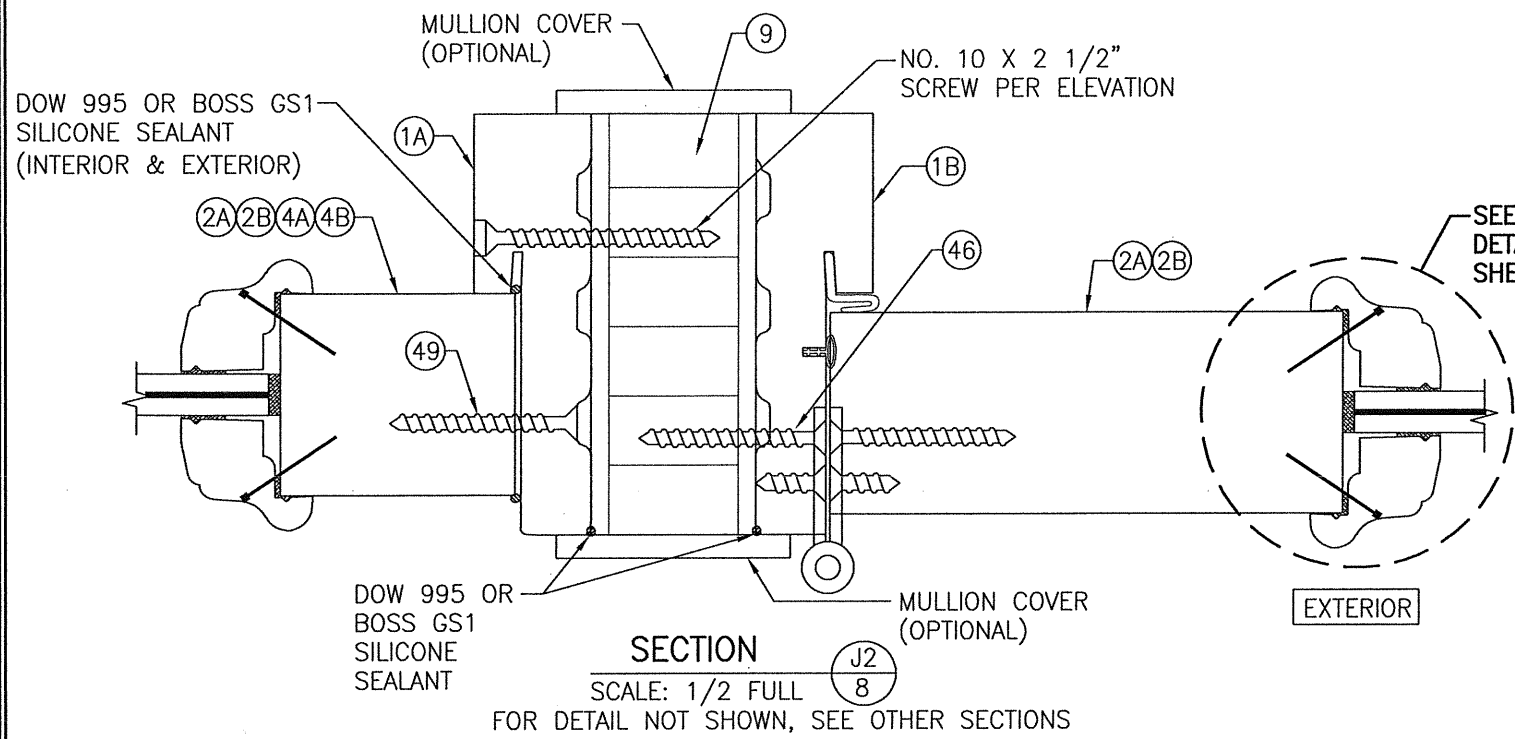
DRAWN BY:	W.W.S.	CHECKED BY:	W.W.S.
PLOT:	1=2	DATE:	09/03/14
NO.		REVISION	DESCRIPTION

10 FOOT WOOD OUTSWING IMPACT DOORS

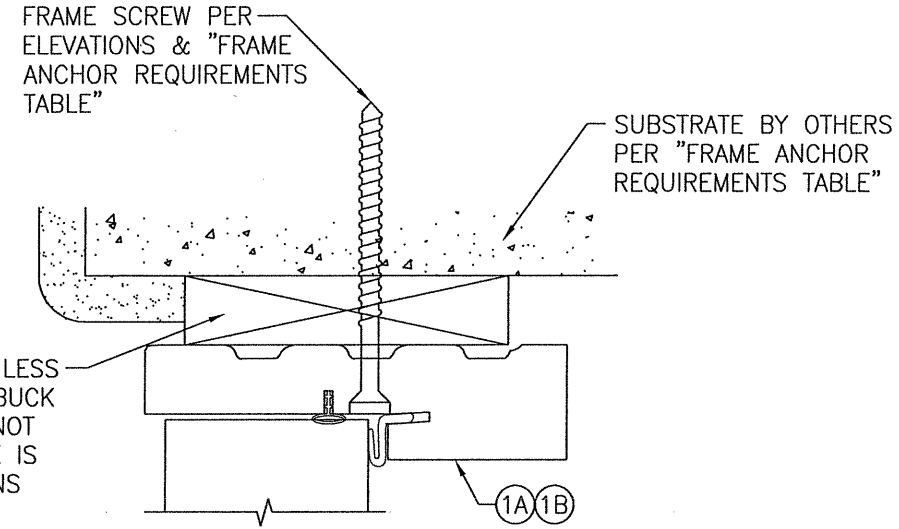
MANUFACTURER
SIGNATURE DOOR INC.
 401 JUNIATA STREET
 ALTOONA, PA 16602
 814-949-2770

CONSULTANTS
W. W. SCHAEFER ENGINEERING & CONSULTING, P.A. (CA 6809)
 7480 150TH COURT NORTH
 PALM BEACH GARDENS, FL 33418
 PHONE: 561-744-3424

CERTIFICATION
 WARREN W. SCHAEFER, P.E.
 P.E. NO. 44135

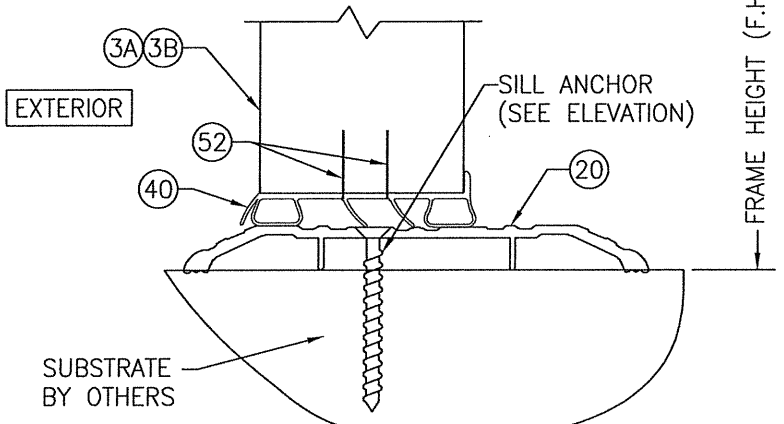
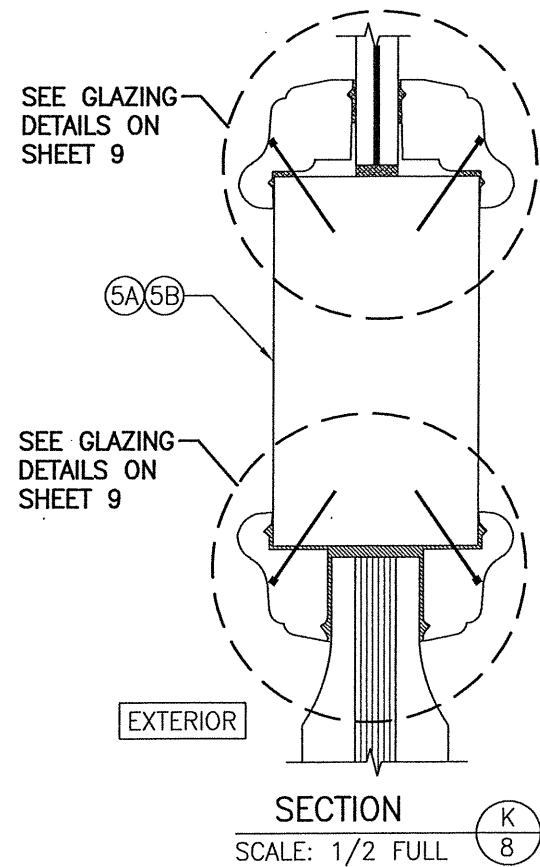


CONTINUOUS WOOD MEMBER LESS IN THICKNESS THAN A 2X BUCK TO BE MIN. 3 1/2" DEEP (NOT REQUIRED WHEN SHIM SPACE IS WITHIN ALLOWABLE DIMENSIONS SHOWN IN SECTIONS).



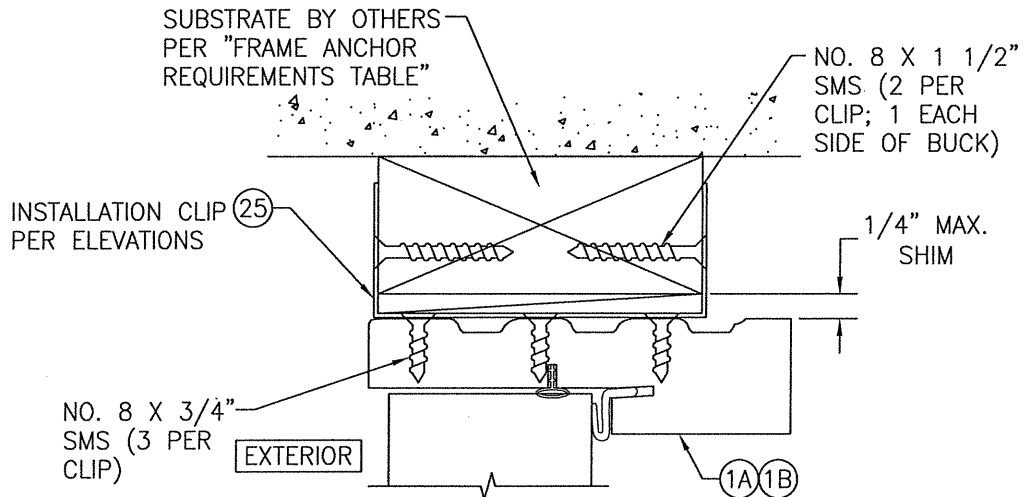
OPTIONAL DIRECT MOUNT DETAIL TO SUBSTRATE WITH SPACER

FOR DETAIL NOT SHOWN, SEE OTHER SECTIONS (HEAD SECTION SHOWN, SIDES AND SILL SIMILAR)



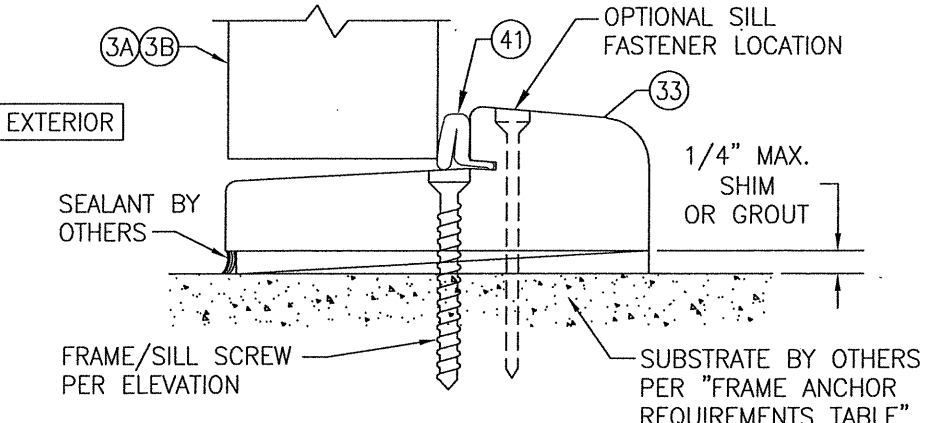
OPTIONAL ADA THRESHOLD DETAIL

FOR DETAIL & REINFORCEMENT PLATES NOT SHOWN, SEE SECTIONS A/6, B/6 & C/6



OPTIONAL CLIP MOUNT DETAIL

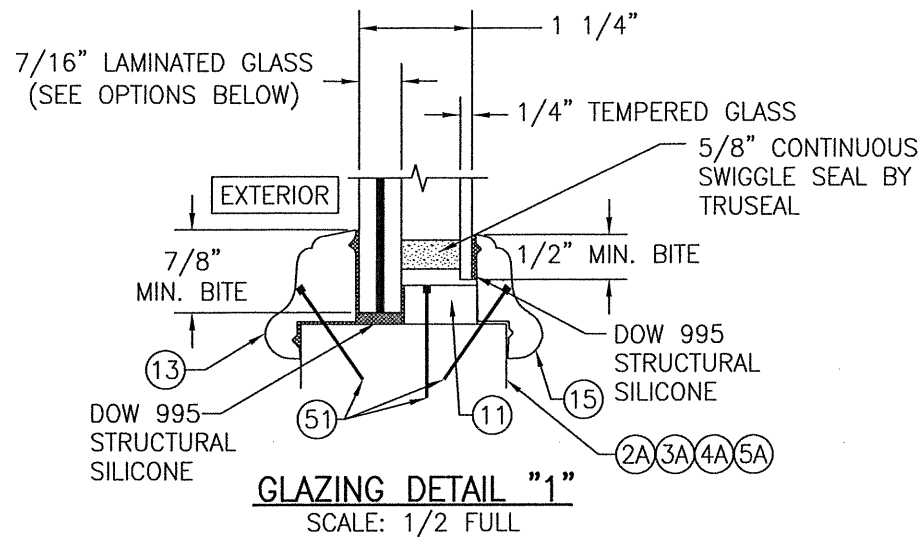
FOR DETAIL NOT SHOWN, SEE OTHER SECTIONS (HEAD SECTION SHOWN, SIDES AND SILL SIMILAR)



OPTIONAL BUMPER THRESHOLD DETAIL

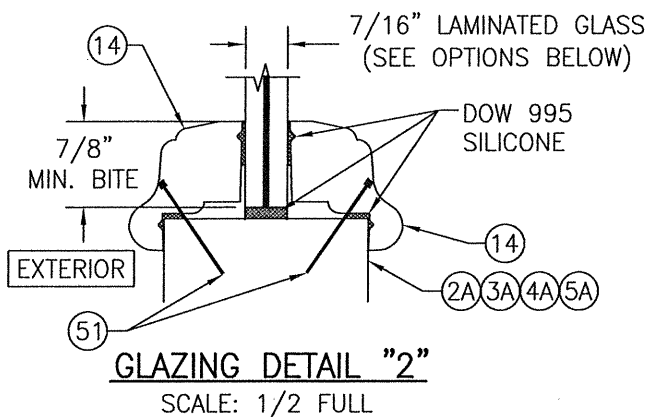
FOR DETAIL & STRIKE/REINFORCEMENT PLATES NOT SHOWN, SEE SECTIONS A/6, B/6 & C/6

DRAWN BY: W.W.S.	CHECKED BY: W.W.S.
PLOT: 1-2	DATE: 09/03/14
NO.	REVISION DESCRIPTION
DATE	BY
DRAWING TITLE 10 FOOT WOOD OUTSWING IMPACT DOORS	
MANUFACTURER SIGNATURE DOOR INC. 401 JUNIATA STREET ALTOONA, PA 16602 814-949-2770	
CONSULTANTS W. W. SCHAEFER ENGINEERING & CONSULTING, P.A. (CA 6809) 7480 150TH COURT NORTH PALM BEACH GARDENS, FL 33418 PHONE: 561-744-3424	P.E. NO. 44135
DRAWING NO. 1887	REV. D
SHEET NO. 8 OF 11	



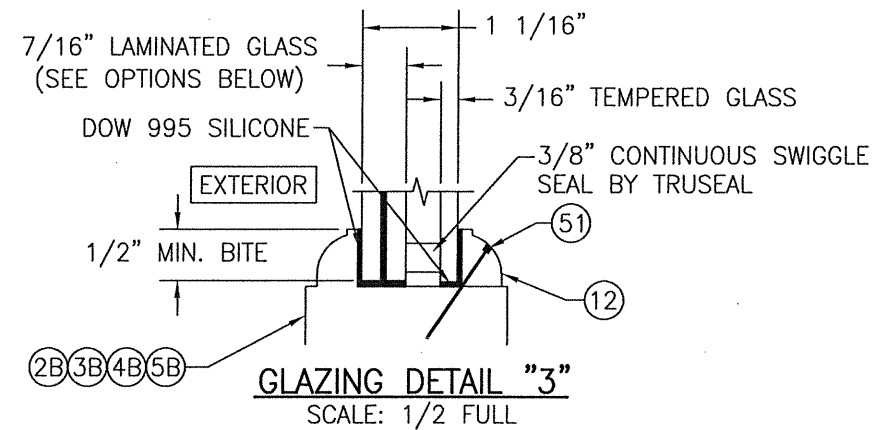
GLASS OPTION: 1) 7/16" THICK GLASSLAM SAFETY PLUS II LAMINATED OUTER GLASS (3/16" AN/0.10" POLYURETHANE POLYMER/3/16" AN); 3/16" TEMPERED SINGLE PANE INNER GLASS

2) 7/16" THICK LAMINATED OUTER GLASS (3/16" AN/0.075" EASTMAN CHEM. CO. SAFLEX CP/3/16" AN); 3/16" TEMPERED SINGLE PANE INNER GLASS



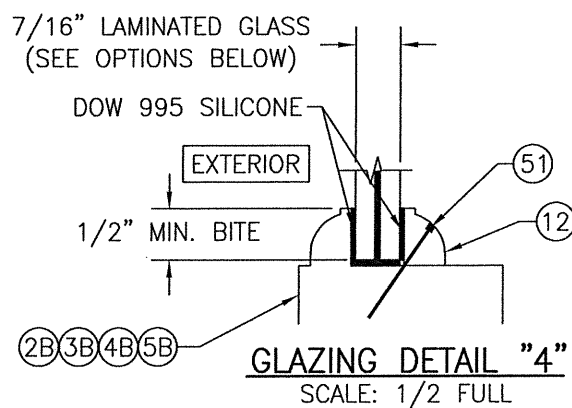
GLASS OPTION: 1) 7/16" THICK GLASSLAM SAFETY PLUS II LAMINATED GLASS (3/16" AN/0.10" POLYURETHANE POLYMER/3/16" AN)

2) 7/16" THICK LAMINATED GLASS (3/16" AN/0.075" EASTMAN CHEM. CO. SAFLEX CP/3/16" AN)



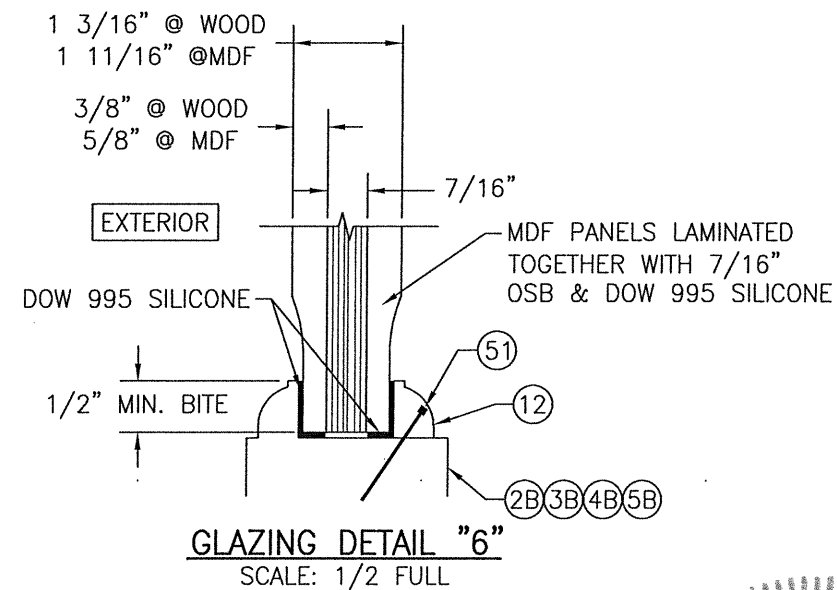
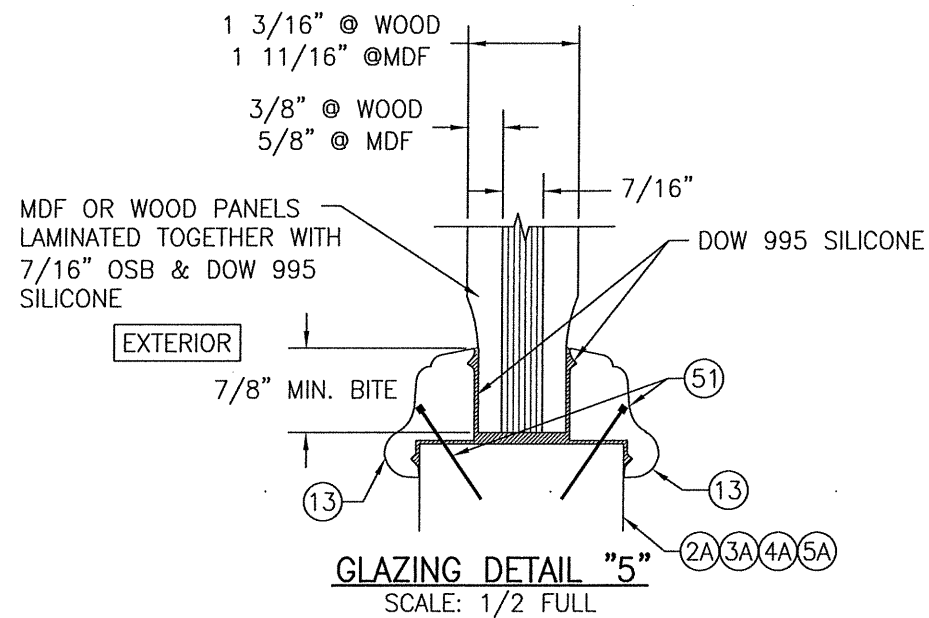
GLASS OPTION: 1) 7/16" THICK GLASSLAM SAFETY PLUS II LAMINATED OUTER GLASS (3/16" AN/0.10" POLYURETHANE POLYMER/3/16" AN); 3/16" TEMPERED SINGLE PANE INNER GLASS

2) 7/16" THICK LAMINATED OUTER GLASS (3/16" AN/0.075" EASTMAN CHEM. CO. SAFLEX CP/3/16" AN); 3/16" TEMPERED SINGLE PANE INNER GLASS

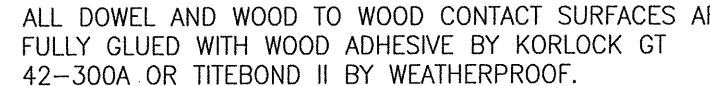
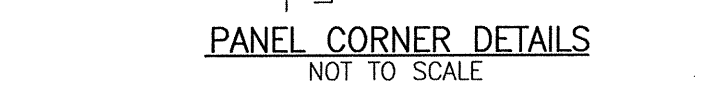
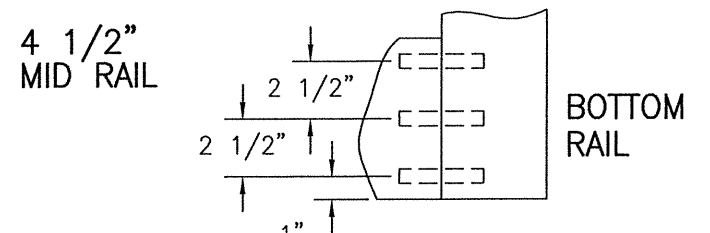
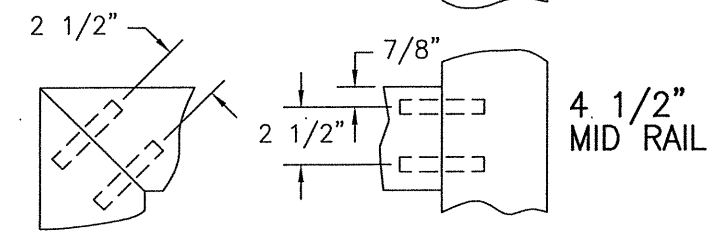
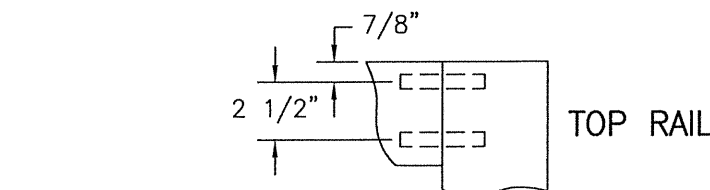
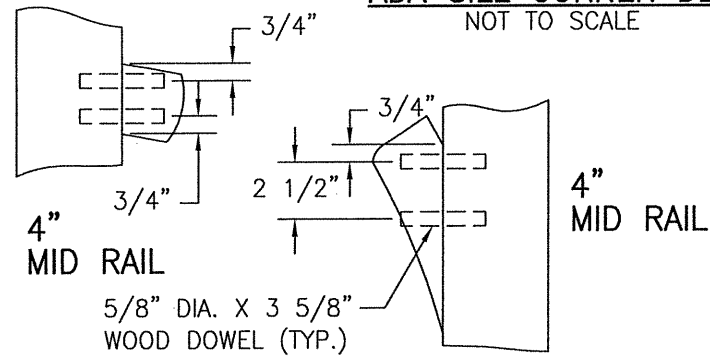
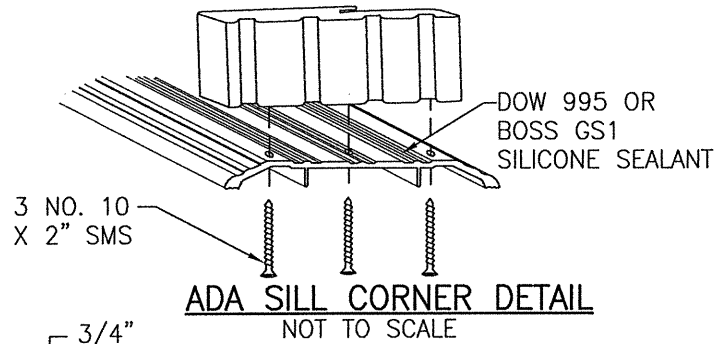
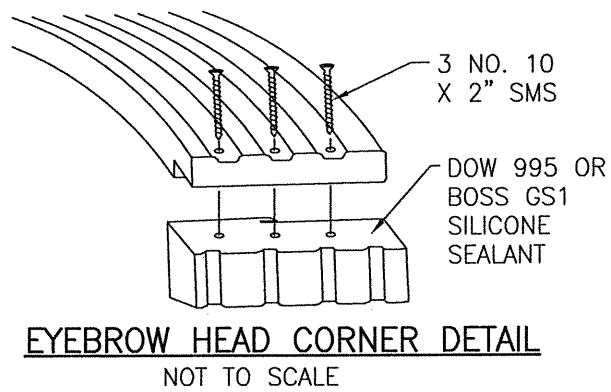
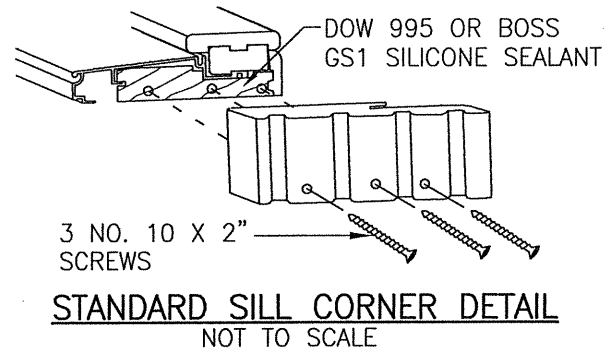
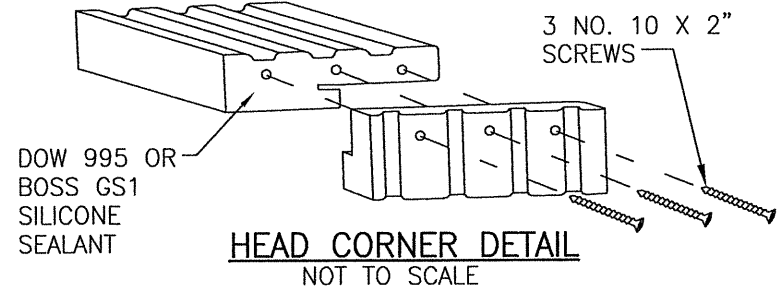


GLASS OPTION: 1) 7/16" THICK GLASSLAM SAFETY PLUS II LAMINATED GLASS (3/16" AN/0.10" POLYURETHANE POLYMER/3/16" AN)

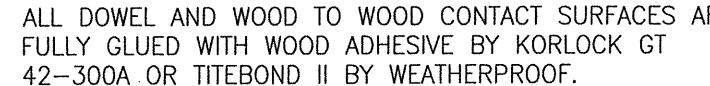
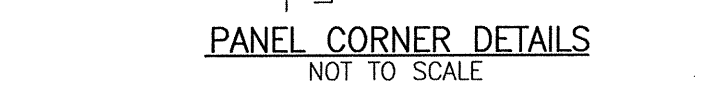
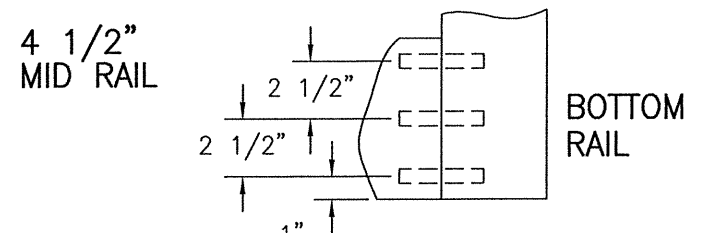
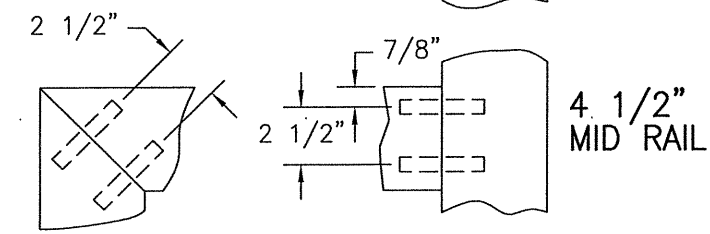
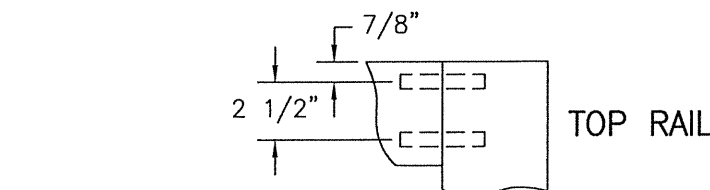
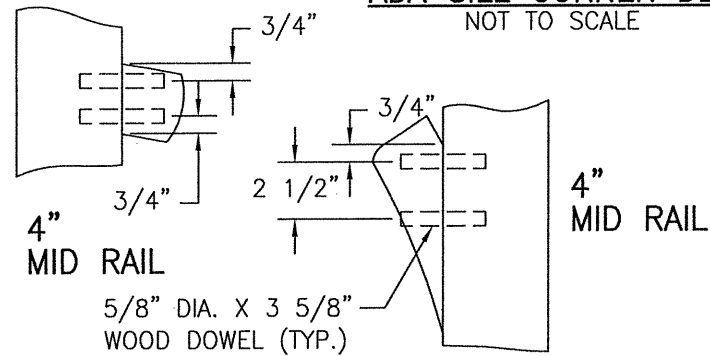
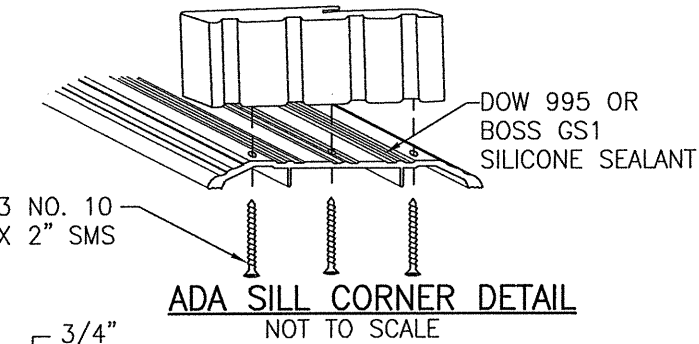
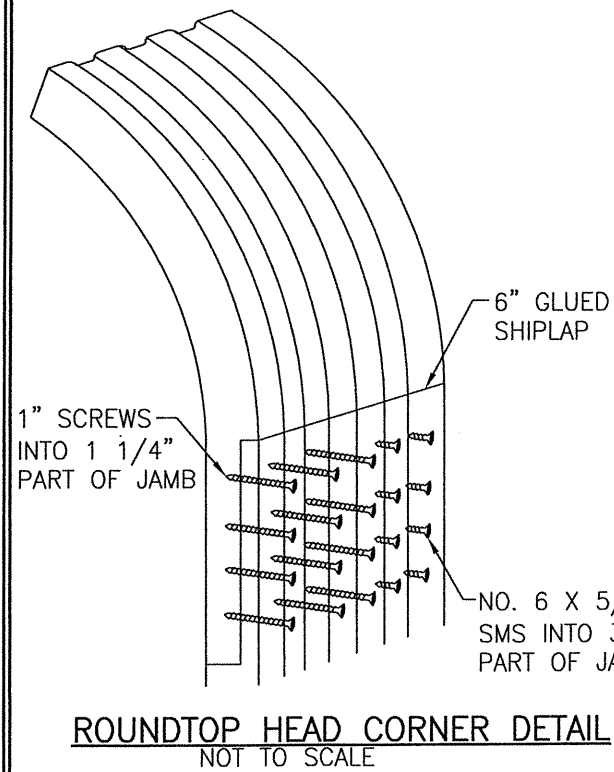
2) 7/16" THICK LAMINATED GLASS (3/16" AN/0.075" EASTMAN CHEM. CO. SAFLEX CP/3/16" AN)



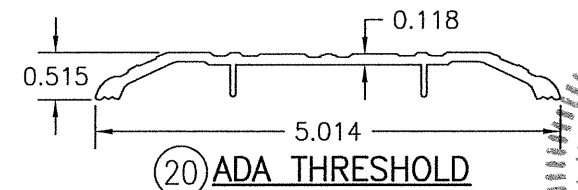
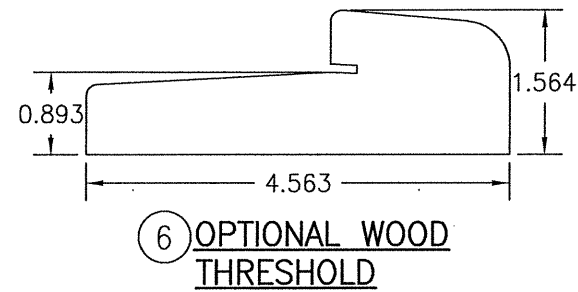
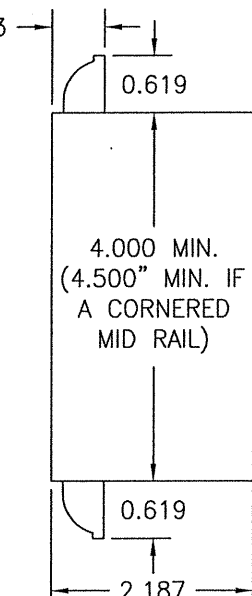
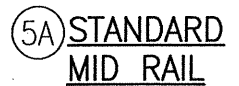
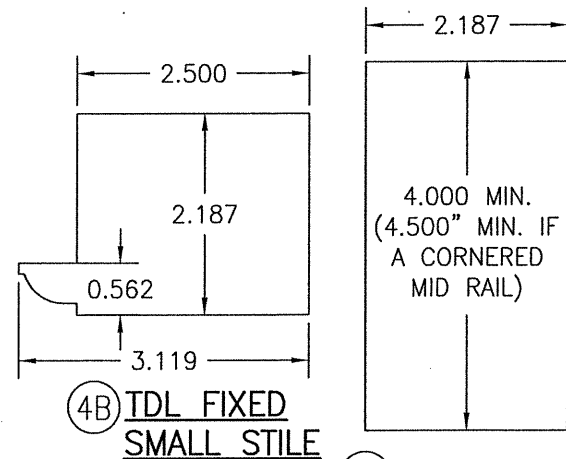
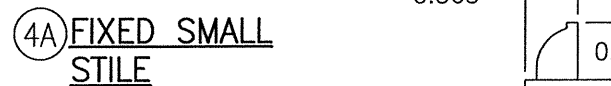
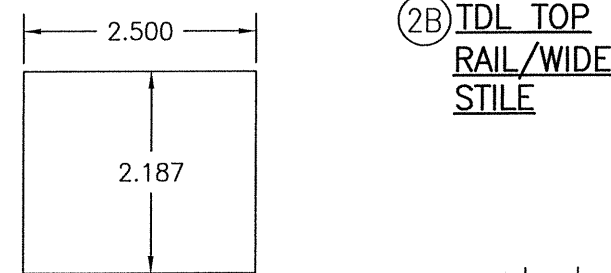
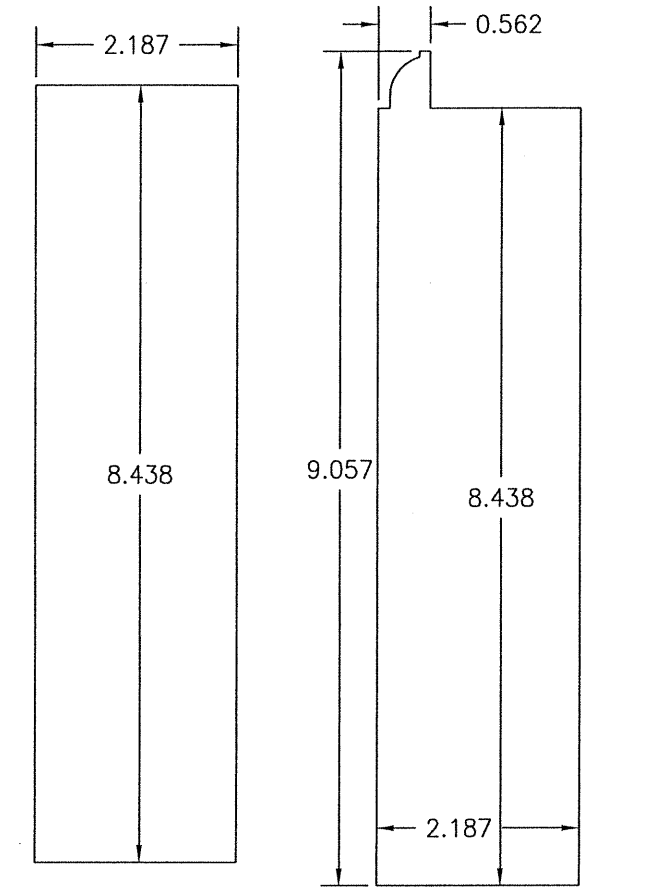
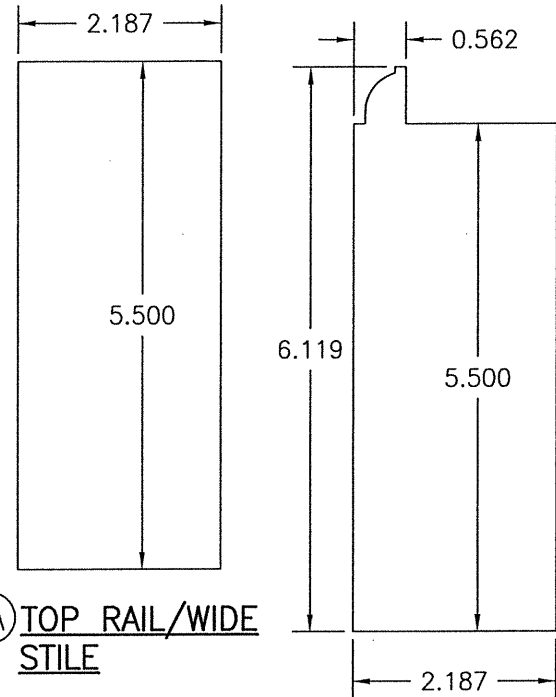
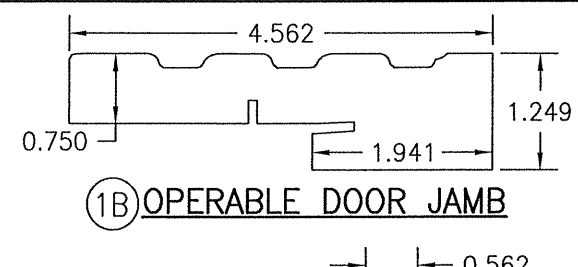
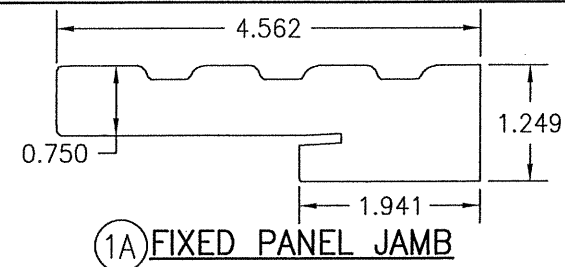
DRAWN BY: W.W.S.	CHECKED BY: W.W.S.
PLOT: 1=2	DATE: 09/03/14
NO.	REVISION DESCRIPTION
DATE	BY
DRAWING TITLE	
10 FOOT WOOD OUTSWING IMPACT DOORS	
CONSULTANTS	MANUFACTURER
W. W. SCHAEFER ENGINEERING & CONSULTING, P.A. (CA 6809)	SIGNATURE DOOR INC. 401 JUNIATA STREET ALTOONA, PA 16602 814-949-2770
7480 150TH COURT NORTH PALM BEACH GARDENS, FL 33418 PHONE: 561-744-3424	
STATE OF FLORIDA	
WARREN W. SCHAEFER LICENSE No. 44135 P.E.	
AUG 01 2020 PROFESSIONAL SEAL	
DRAWING NO.	REV.
1887	D
SHEET NO.	OF
9	11



ALL DOWEL AND WOOD TO WOOD CONTACT SURFACES ARE FULLY GLUED WITH WOOD ADHESIVE BY KORLOCK GT 42-300A OR TITEBOND II BY WEATHERPROOF.



ALL DOWEL AND WOOD TO WOOD CONTACT SURFACES ARE FULLY GLUED WITH WOOD ADHESIVE BY KORLOCK GT 42-300A OR TITEBOND II BY WEATHERPROOF.

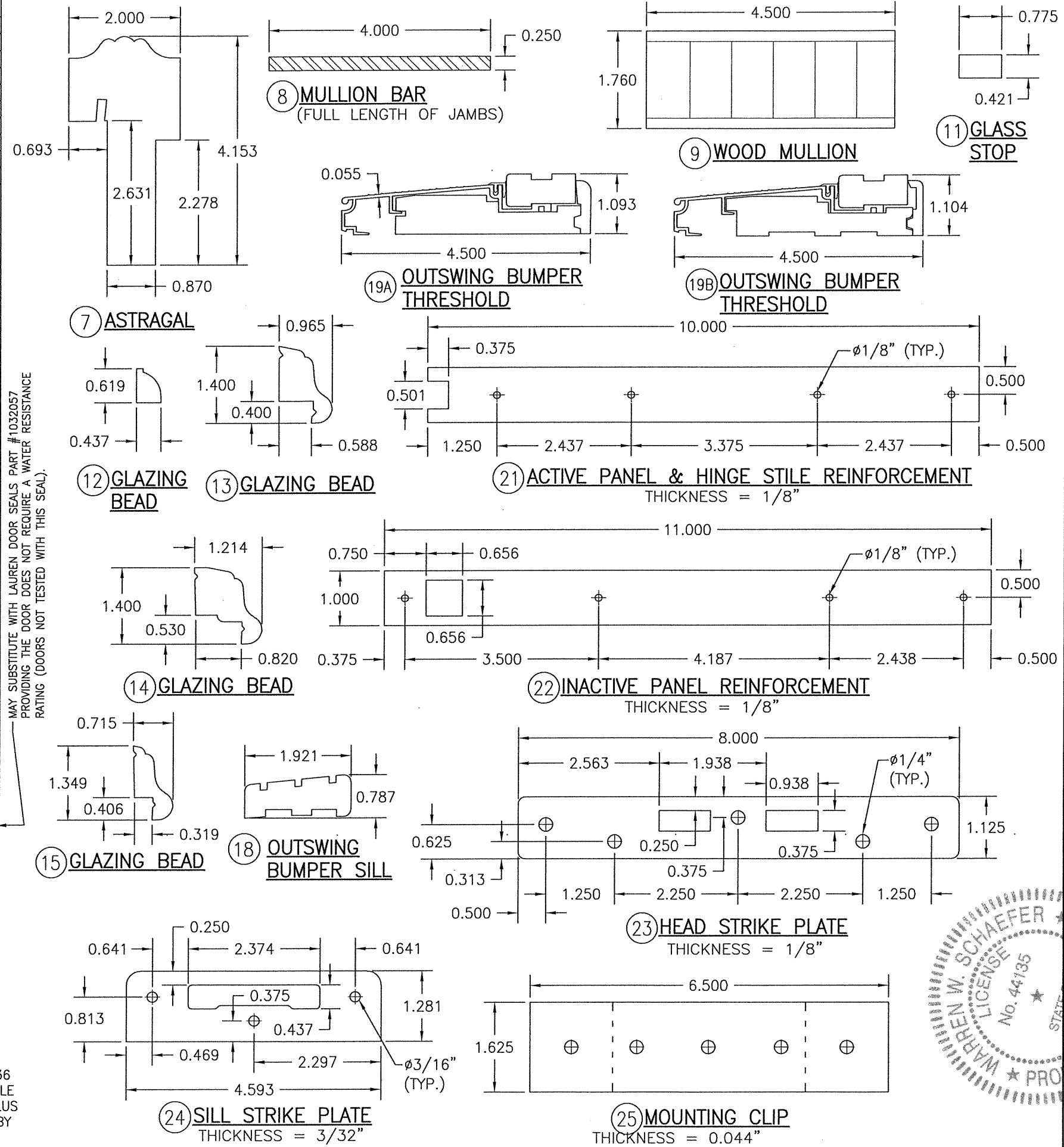


DRAWN BY: W.W.S.		CHECKED BY: W.W.S.	
PLOT: 1=2		DATE: 09/03/14	
NO.	REVISION DESCRIPTION	DATE	BY
DRAWING TITLE 10 FOOT WOOD OUTSWING IMPACT DOORS			
CONSULTANTS W. W. SCHAEFER ENGINEERING & CONSULTING, P.A. (CA 6809)		MANUFACTURER SIGNATURE DOOR INC.	
7480 150TH COURT NORTH PALM BEACH GARDENS, FL 33418 PHONE: 561-744-3424		401 JUNIATA STREET ALTOONA, PA 16602 814-949-2770	
CERTIFICATION WARREN W. SCHAEFER, P.E. No. 44707 2020 AUG 07 2020 STATE OF FLORIDA WARREN W. SCHAEFER, P.E. No. 44707 2020			
DRAWING NO. REV. 1887 D		SHEET NO. 10 OF 11	

ITEM #	ITEM DESCRIPTION	MANUFACTURER/NOTES
PARTS		
1A	FIXED PANEL JAMB	* WOOD (LAMINATED WITH CURVED JAMB)
1B	OPERABLE DOOR JAMB	* WOOD (LAMINATED WITH CURVED JAMB)
2A	TOP RAIL/WIDE STILE	LAMINATED RED OAK CORE (PINE VENEER)
2B	TDL TOP RAIL/WIDE STILE	LAMINATED RED OAK CORE (PINE VENEER)
3A	BOTTOM RAIL	LAMINATED RED OAK CORE (PINE VENEER)
3B	TDL BOTTOM RAIL	LAMINATED RED OAK CORE (PINE VENEER)
4A	FIXED SMALL STILE	LAMINATED RED OAK CORE (PINE VENEER)
4B	TDL FIXED SMALL STILE	LAMINATED RED OAK CORE (PINE VENEER)
5A	STANDARD MID RAIL	LAMINATED RED OAK CORE (PINE VENEER)
5B	TDL MID RAIL	LAMINATED RED OAK CORE (PINE VENEER) OR 3-PIECE EASTERN PINE CORE (PINE VENEER)
6	OPTIONAL WOOD THRESHOLD	OAK OR MAHOGANY
7	ASTRAGAL	* WOOD
8	MULLION BAR	A36 STEEL
9	WOOD MULLION	LVL OR LAMINATED RED OAK CORE (PINE VENEER)
11	GLASS STOP	* WOOD
12	GLAZING BEAD	* WOOD
13	GLAZING BEAD	* WOOD
14	GLAZING BEAD	* WOOD
15	GLAZING BEAD	* WOOD
18	OUTSWING BUMPER SILL	HARDWOOD
19A	OUTSWING THRESHOLD	IMPERIAL 5QCW W/WOOD BASE; USED WITH ITEM 18
19B	OUTSWING THRESHOLD	IMPERIAL 5KXDV W/COMPOSITE BASE; USED W/ITEM 18
20	ADA THRESHOLD	HAGAR 401-S
21	ACTIVE PANEL & HINGE STILE REINF.	STAINLESS STEEL
22	INACTIVE PANEL REINFORCEMENT	STAINLESS STEEL
23	HEAD STRIKE PLATE	STAINLESS STEEL
24	SILL STRIKE PLATE	STAINLESS STEEL
25	MOUNTING CLIP	MIN. 33 KSI GALVANIZED STEEL
26	JAMB REINF. PLATE (.044" X 4.00" X 16.00")	MIN. 33 KSI GALVANIZED STEEL
HARDWARE		
27	4.5" X 4.5" BALL BEARING HINGE	BALDWIN 1046.003 (BRASS)
28	4.5" X 4.5" BALL BEARING HINGE	PENROD MH4.5BBTPSQ-SQBB (STEEL)
29	4.5" X 4.5" BALL BEARING HINGE	PENROD MH4.5BBTPSQ-SQSB (BRASS)
30	5-POINT ACTIVE PANEL LOCK SYS.	HOPPE HLS9000 ROUND BOLT/SHOOTBOLT
31	2-POINT INACTIVE PANEL LOCK SYS.	HOPPE HLS9000 SHOOTBOLT
32	3-POINT ACTIVE PANEL LOCK SYS.	HOPPE HLS9000 ROUND BOLT
33	5-POINT ACTIVE PANEL LOCK SYS. (3-POINT AT SINGLE DOORS)	GU RHINO
34	2-POINT INACTIVE PANEL LOCK SYS.	GU EUROPA
35	5-POINT ACTIVE PANEL LOCK SYS. (3-POINT AT SINGLE DOORS)	KFV 7370-S. BOLT
36	2-POINT INACTIVE PANEL LOCK SYS.	KFV 7000
37	HANDLE	AS REQ'D TO FIT LOCK SYSTEM
38	LOCK STRIKE PLATE	AS SUPPLIED WITH LOCK SYSTEM
SEALS AND SEALANTS		
39	BULB WEATHERSTRIPPING	ULTRAFAB E10210BN3020; NOT REQUIRED WHEN THE ADA THRESHOLD IS USED
41	BUMPER WEATHER SEAL	LOX-SEAL V-9928 (PREV. HOLM INDUSTRIES NO. JF87)
42	WEATHER SEAL	ILPEA IND. HF65B (PREV. HOLM INDUSTRIES JF65814)
MISC. FASTENERS		
43	NO. 10 X 2" SMS	2 PER HINGE LEAF INTO PANEL W/BRASS HINGES
44	NO. 10 X 3/4" SMS	2 PER HINGE LEAF INTO JAMB & PANEL
45	NO. 12 X 2" SMS	2 PER HINGE LEAF INTO PANEL W/STEEL HINGES
46	NO. 12 X 2" SMS	2 PER HINGE LEAF INTO WOOD MULLION
47	NO. 12 X 3" SMS	2 PER HINGE LEAF INTO STEEL MULLION/SIDELIGHT
48	NO. 10 X 2" SMS	4 PER DOOR REINFORCEMENT PLATE
49	NO. 10 X 2" SMS	6" FROM CORNERS & 16" MAX O.C.
50	NO. 10 X 2 1/2" SMS	6" FROM CORNERS & MID SPAN ON SILL
51	1 3/16" BRAD NAIL	1" FROM CORNERS & 8" O.C.
52	3/4" STAPLE	3/4" FROM CORNERS & 6" O.C. STAGGERED
53	NO. 10 X 2 1/2" SMS	3" FROM ENDS & 22" O.C. THRU ASTRAGAL
54	NO. 6 X 3/4" SCREW	2 PER TOP & BOTTOM STRIKE PLATE AND 3 AT HANDLE LOCATION STRIKE PLATE

NOTE: WOOD USED IN TESTING WAS EASTERN WHITE PINE WITH A SPECIFIC GRAVITY OF G = 0.36 AND A MODULUS OF ELASTICITY OF E = 1,200,000 PSI. OTHER WOOD SPECIES APPLICABLE FOR USE WITH THIS PRODUCT ARE THOSE WITH A SPECIFIC GRAVITY OF 0.36 AND MODULUS OF ELASTICITY OF 1,200,000 PSI OR GREATER. ALL WOOD IS MINIMUM GRADE 2 MILLED BY SIGNATURE DOOR INC. TO SELECT.

MAY SUBSTITUTE WITH LAUREN DOOR SEALS PART #1032057 PROVIDING THE DOOR DOES NOT REQUIRE A WATER RESISTANCE RATING (DOORS NOT TESTED WITH THIS SEAL).



DRAWN BY: W.W.S.	CHECKED BY: W.W.S.
PLOT: 1=2	DATE: 09/03/14
DATE	
BY	
REVISION DESCRIPTION	
NO.	
DRAWING TITLE 10 FOOT WOOD OUTSWING IMPACT DOORS	
MANUFACTURER W. W. SCHAEFER ENGINEERING & CONSULTING, P.A. (CA 6809)	
CONSULTANTS 7480 150TH COURT NORTH PALM BEACH GARDENS, FL 33418 PHONE: 561-744-3424	
SIGNATURE DOOR INC. 401 JUNIATA STREET ALTOONA, PA 16602 814-949-2770	
DRAWING NO. 1887	REV. D
SHEET NO. 11 OF 11	