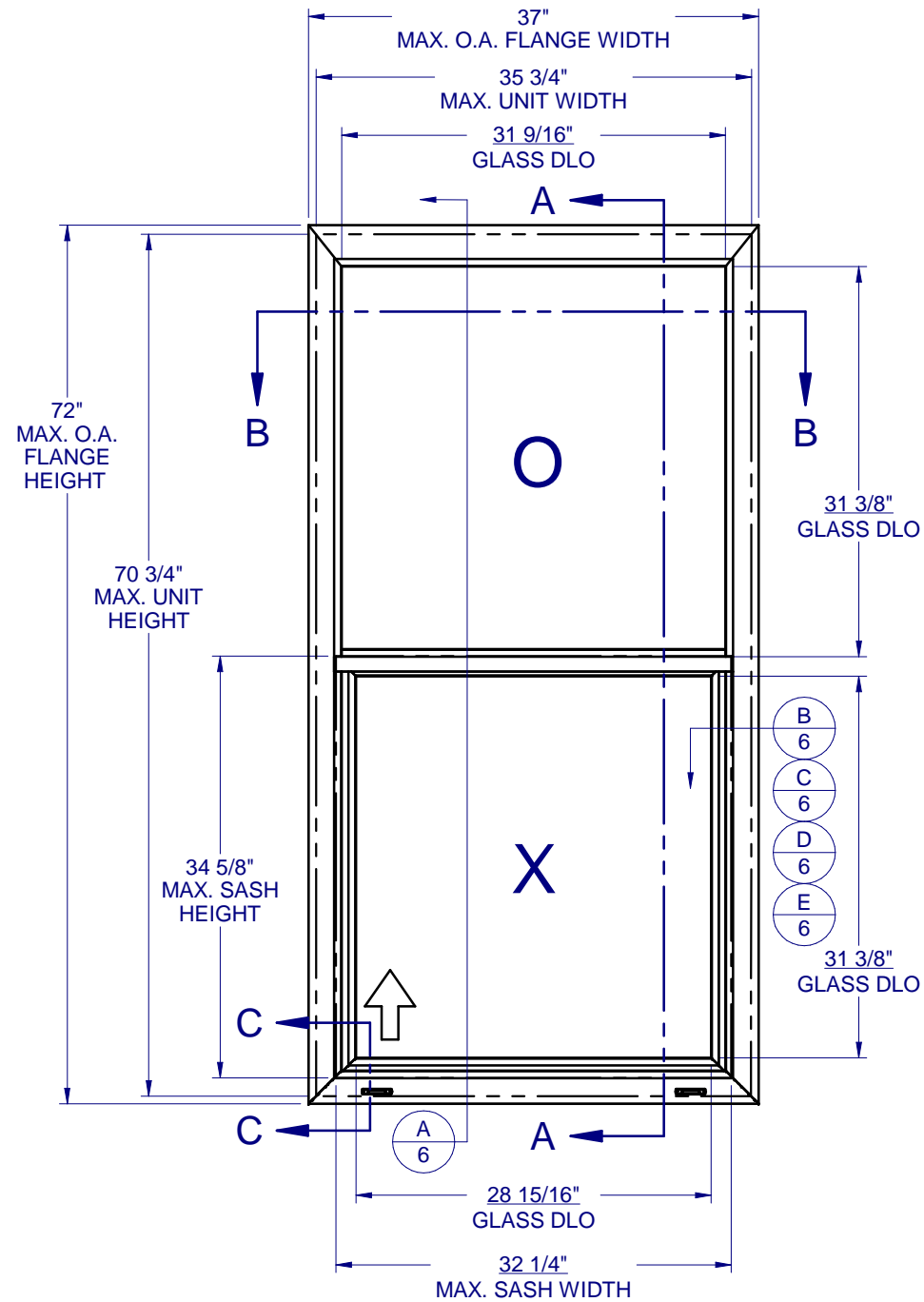


# SINGLE HUNG - LARGE MISSILE IMPACT



## TABLE OF CONTENTS

GENERAL NOTES & ELEVATIONS.....	1
GLAZING DETAILS.....	2
SECTION VIEWS & ALT. FRAME.....	3
EXTRUSIONS & B.O.M.....	4
ANCHOR SCHEDULE & NOTES.....	5
INSTALLATION DETAILS.....	6

FRAME TYPE	MAX. UNIT SIZE	DESIGN PRESSURE RATING	IMPACT RATING
FLANGE	35-3/4" x 70-3/4"	+/- 60 PSF	LARGE MISSILE IMPACT
FIN		+/- 55 PSF	

## GENERAL NOTES:

1. THE PRODUCT SHOWN HEREIN IS DESIGNED AND MANUFACTURED TO COMPLY WITH THE FLORIDA BUILDING CODE (FBC), CURRENT EDITION AND IS RATED FOR MISSILE LEVEL D IMPACT USE IN WIND ZONE 3 AREAS AS DEFINED IN ASTM E 1996 PER THE FBC.

THIS PRODUCT MAY NOT BE USED IN THE HIGH VELOCITY HURRICANE ZONE (HVHZ) OR IN ASTM E 1996 WIND ZONE 4 AREAS.

2. GLAZING OPTIONS: (SEE SHEET 2)

3. CONFIGURATIONS: "O/X".

4. DESIGN PRESSURE RATING:  
 -NEGATIVE DESIGN LOADS BASED ON, TESTED PRESSURE AND GLASS TABLES ASTM E-1300-04e01/09.  
 -POSITIVE DESIGN LOADS BASED ON, TESTED PRESSURE, WATER INFILTRATION TEST PRESSURE AND GLASS TABLES ASTM E-1300-04e01/09.

5. ANCHORAGE: THE 33 1/3% STRESS INCREASE HAS NOT BEEN USED IN THE DESIGN OF THIS PRODUCT. SEE SHEET 6 FOR ANCHOR DETAILS. WINDLOAD DURATION FACTOR Cd=1.6 WAS USED FOR WOOD ANCHOR CALCULATIONS.

6. PRODUCT APPROVED FOR IMPACT RESISTANCE. SHUTTERS ARE NOT REQUIRED.

7. ALL FRAMES AND VENTS FULLY WELDED. SMALL JOINT SEAM SEALANT USED AT FIXED MEETING RAIL AND JAMB.

8. SERIES / MODEL DESIGNATION SH-8100.

9. THE DESIGNATION X AND O STAND FOR THE FOLLOWING:  
 X = OPERABLE SASH, O = FIXED SASH

10. SECTION CALLOUTS APPLY TO ALL ELEVATIONS IN A SIMILAR LOCATION.

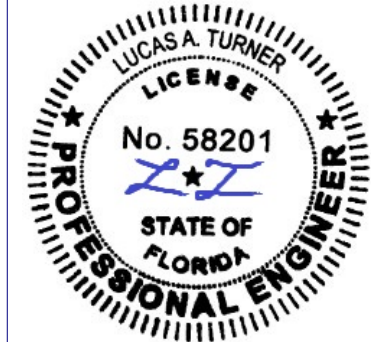
11. WEEP SLOTS = 1/4" x 1-1/4" LOCATED 4" FROM BOTH ENDS.



1900 SW 44TH AVE.  
 OCALA, FLORIDA 34474  
 WWW.CWS.CC

## 8100 PVC SINGLE HUNG IMPACT

PROPRIETARY AND CONFIDENTIAL  
 THE INFORMATION CONTAINED IN THIS DRAWING IS THE SOLE PROPERTY OF CUSTOM WINDOW SYSTEMS, INC. ANY REPRODUCTION IN PART OR AS A WHOLE WITHOUT THE WRITTEN PERMISSION OF CUSTOM WINDOW SYSTEMS, INC IS PROHIBITED.



1/21/2022

LUCAS A. TURNER, P.E.  
 FL PE # 58201  
 2428 Old Natchez Trc Trl  
 Camden, TN 38320  
 PH. 941-380-1574

SHEET DESCRIPTION:

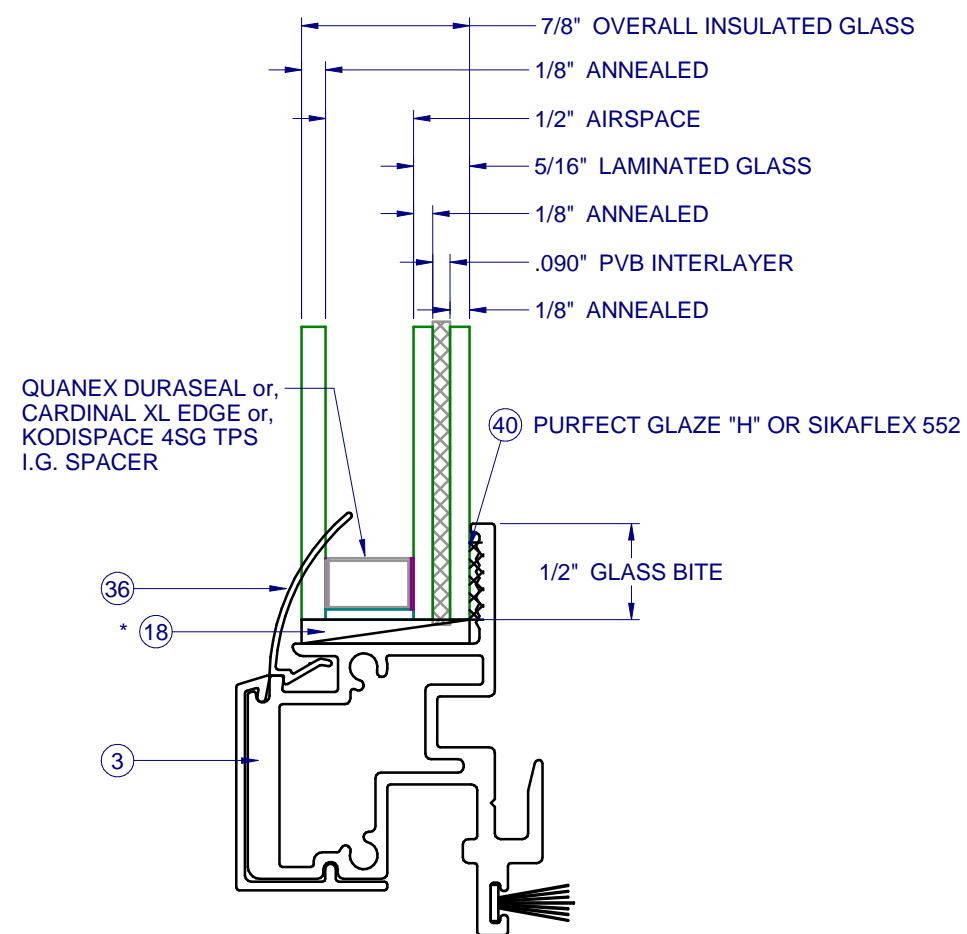
## GENERAL NOTES AND ELEVATIONS

DRAWN BY:	DATE:
EMK	09/18/14
DWG #:	REV.:
CWS-957	E
SCALE:	SHEET
1:15	1 OF 6

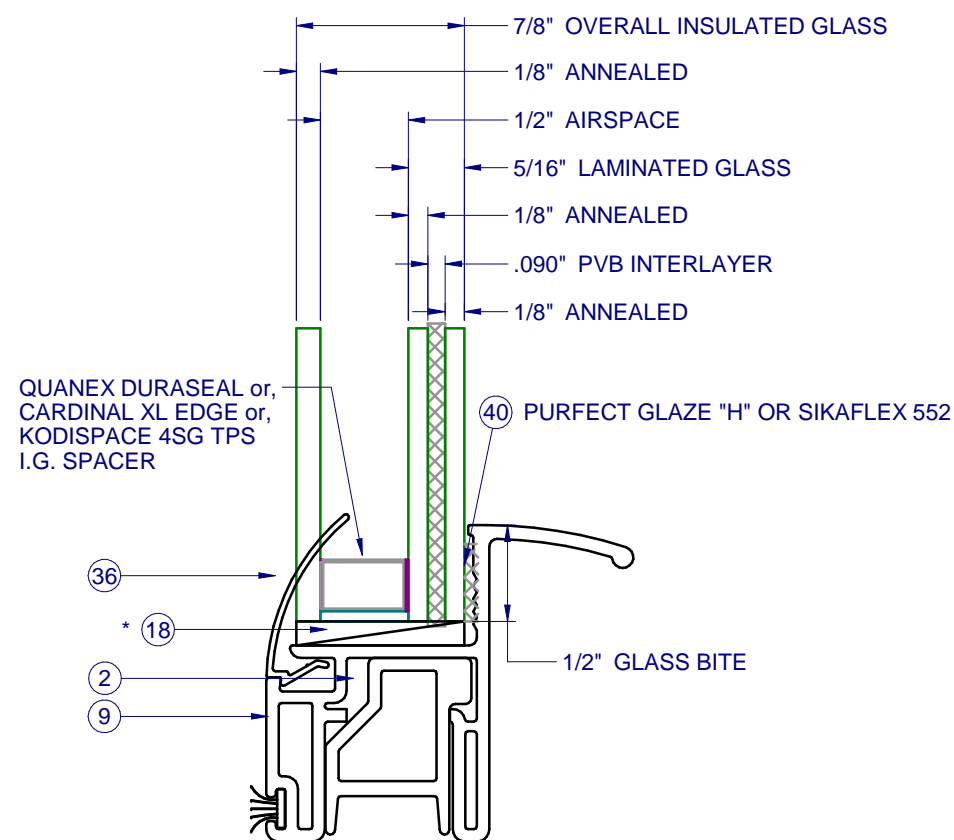
FL# 17339

**8100 PVC  
SINGLE HUNG  
IMPACT**

PROPRIETARY AND CONFIDENTIAL  
THE INFORMATION CONTAINED IN THIS DRAWING IS THE SOLE PROPERTY OF CUSTOM WINDOW SYSTEMS, INC. ANY REPRODUCTION IN PART OR AS A WHOLE WITHOUT THE WRITTEN PERMISSION OF CUSTOM WINDOW SYSTEMS, INC IS PROHIBITED.



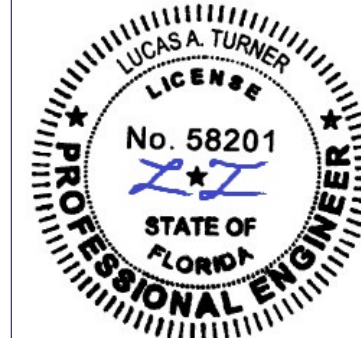
**FIXED LITE**



**SASH LITE**

\* SETTING BLOCKS PER FBC 2411.3.3.1

FL# 17339



1/21/2022

LUCAS A. TURNER, P.E.  
FL PE # 58201  
2428 Old Natchez Trc Trl  
Camden, TN 38320  
PH. 941-380-1574

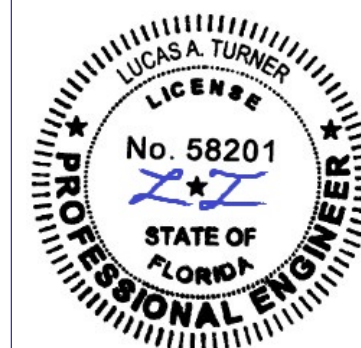
SHEET DESCRIPTION:

**GLAZING DETAILS**

DRAWN BY: <b>EMK</b>	DATE: <b>09/18/14</b>
DWG #: <b>CWS-957</b>	REV.: <b>E</b>
SCALE: <b>1:1</b>	<b>SHEET 2 OF 6</b>

**8100 PVC  
SINGLE HUNG  
IMPACT**

PROPRIETARY AND CONFIDENTIAL  
THE INFORMATION CONTAINED IN  
THIS DRAWING IS THE SOLE  
PROPERTY OF CUSTOM WINDOW  
SYSTEMS, INC. ANY  
REPRODUCTION IN PART OR AS A  
WHOLE WITHOUT THE WRITTEN  
PERMISSION OF CUSTOM WINDOW  
SYSTEMS, INC IS PROHIBITED.



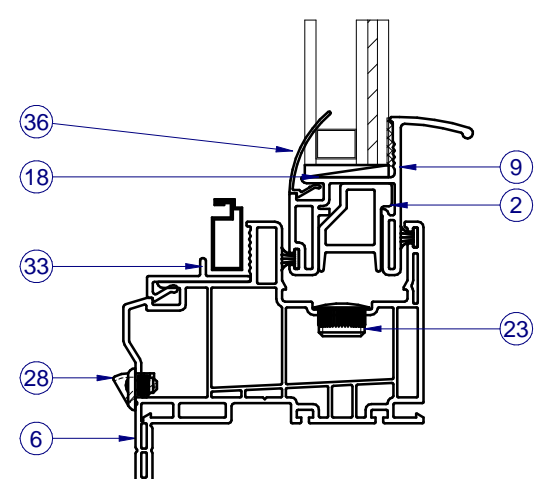
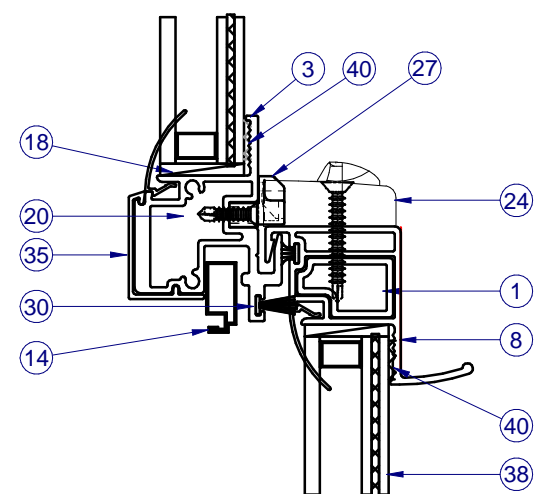
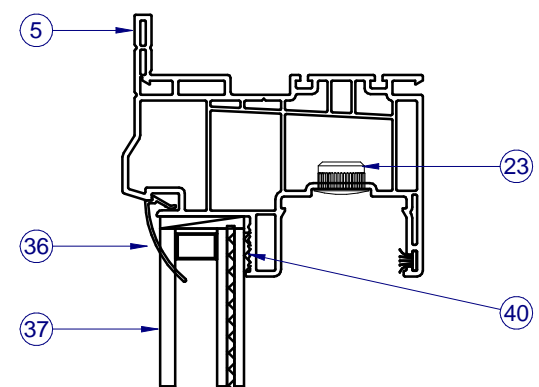
1/21/2022

LUCAS A. TURNER, P.E.  
FL PE # 58201  
2428 Old Natchez Trc Trl  
Camden, TN 38320  
PH. 941-380-1574

SHEET DESCRIPTION:

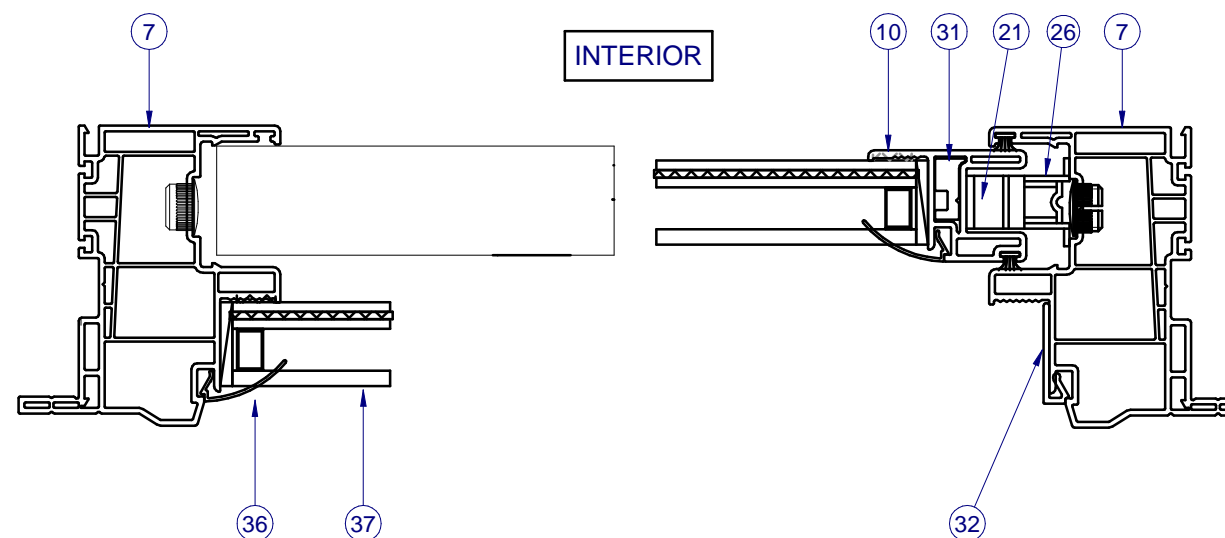
**SECTION VIEWS**

DRAWN BY: <b>EMK</b>	DATE: <b>09/18/14</b>
DWG #: <b>CWS-957</b>	REV.: <b>E</b>
SCALE: <b>1:2</b>	<b>SHEET 3 OF 6</b>



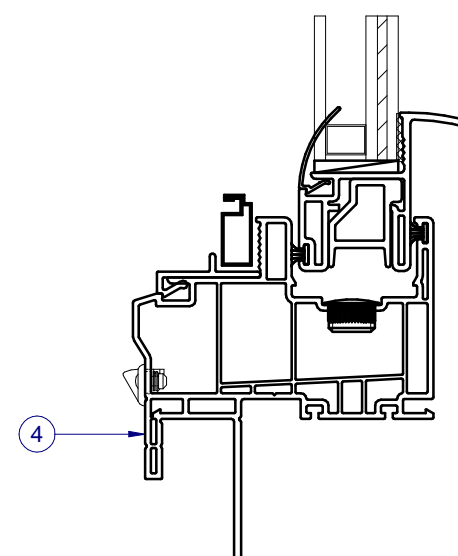
SECTION VIEW A-A

INTERIOR



SECTION VIEW B-B

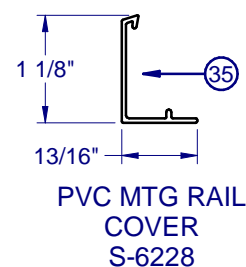
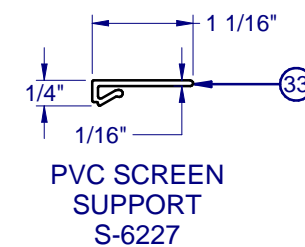
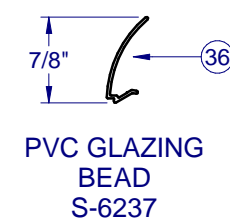
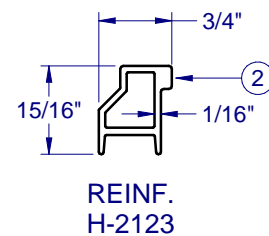
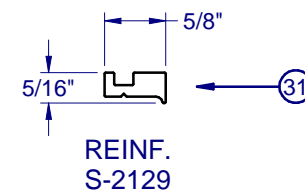
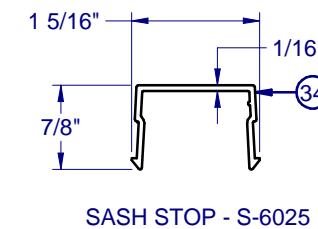
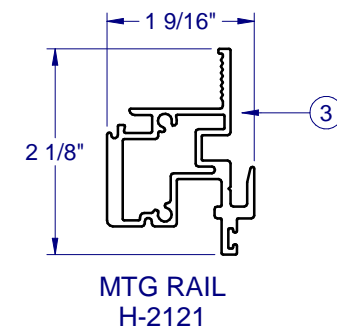
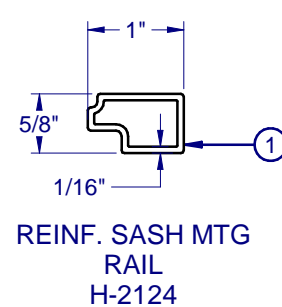
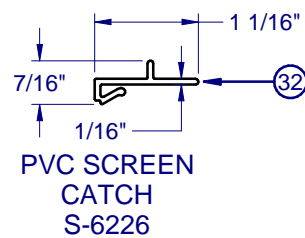
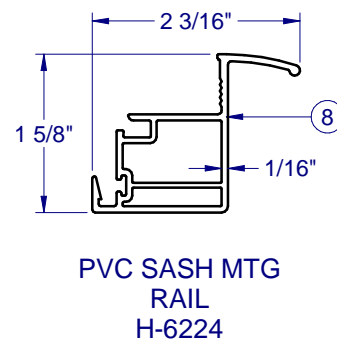
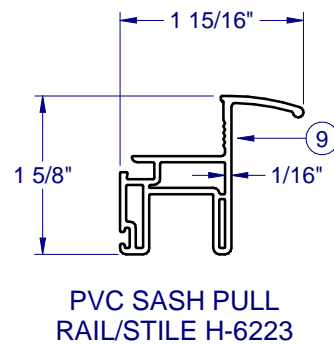
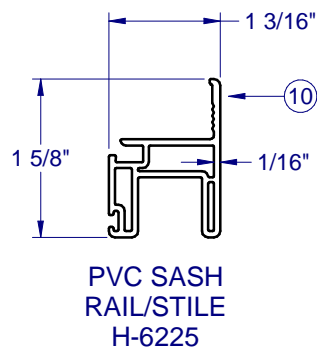
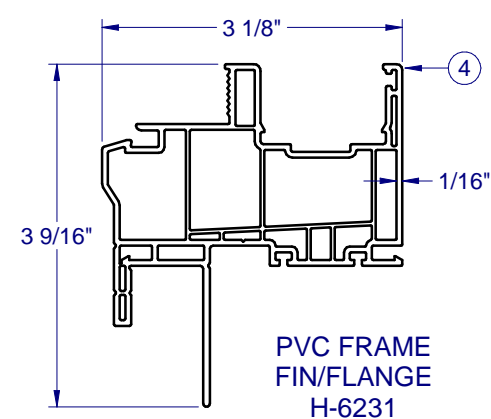
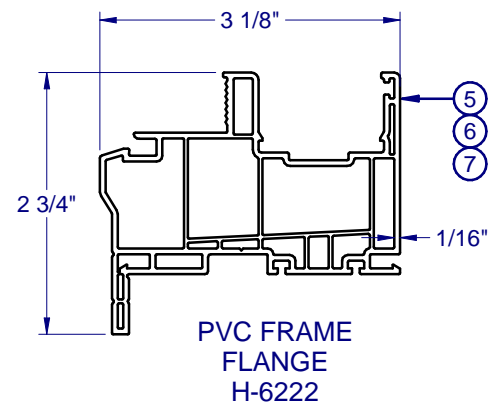
NOTE: LEFT SIDE SHOWS FIXED SECTION VIEW,  
RIGHT SIDE SHOWS SASH SECTION VIEW.



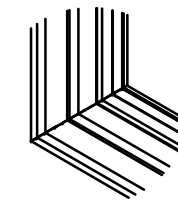
SECTION VIEW C-C  
ALTERNATE FIN FRAME

FL# 17339

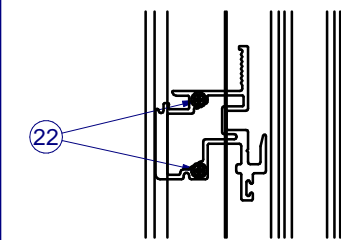
ITEM#	PART#	DESCRIPTION	MATERIAL
1	H-2124	Reinforcement for STR	ALUMINIUM
2	H-2123	Reinforcement for SBR	ALUMINIUM
3	H-2121	Alum Fixed Meet Rail	ALUMINIUM
4	H-6231	Main Frame, Fin, Single Hung	PVC
5	H-6222	Frame Head, Flg, Single Hung	PVC
6	H-6222	Frame Sill, Flg, Single Hung	PVC
7	H-6222	Frame Jamb, Flg, Single Hung	PVC
8	H-6224	Sash Top Rail	PVC
9	H-6223	Sash Bottom Rail	PVC
10	H-6225	Sash Side Rail	PVC
11	P-3029	Screen Pull tab	STEEL
12	P-3033	Screen Spring	STEEL
14	P-3218	Screen Frame	ALUMINIUM
15	P-3228	Spline	VINYL FOAM
16	P-3321	Screen Corner Key	NYLON
17	P-3342	Seam Sealer	
18	P-5615	Setting Block, 1/8" X 1" X 2"	RUBBER
19	P-3429	Wsp., 0.270 x 0.187 back FinSeal	NYLON
20	P-3539	#8 x 3/4" Ph PH TEK	STEEL
21	P-3541	#8 x 3/8 Pan Phil Tek	STEEL
22	P-3581	Screen Cloth	VINYL
23	P-5588	Hole Plug, 1/2"	NYLON
24	P-3783	Lock, Impact	
25	P-4051	#8 x 1 1/4" Ph Fh TEK, Wht	STEEL
26	P-4056	Sash Cam	NYLON
27	P-4069	Keeper, Impact	ZAMAC
28	P-4479	Wbep Housing & Flap Assm	PVC
29	P-4638	#8 x 2 1/2 Phil Truss SMS	STEEL
30	P-4959	Wsp., 0.420 x 0.187 back FinSeal	NYLON
31	S-2129	Reinforcement for SSR	ALUMINIUM
32	S-6226	Screen Support	PVC
33	S-6227	Screen Adaptor	PVC
34	S-6025	Sash Stop	PVC
35	S-6228	Fixed Rail Cover	PVC
36	S-6237	Glazing Bead	PVC
37	FIXED	SEE SHEET 2	GLASS
38	SASH	SEE SHEET 2	GLASS
39		Block & Tackle Balance	STEEL
40		Purfect Glaze "H" or Sikallex 552	SILICONE
41		#10 x 2" Pan Phil sms	STEEL



**FRAME CORNER CONSTRUCTION**



CORNER WELD (ALL SIDES) 1:8



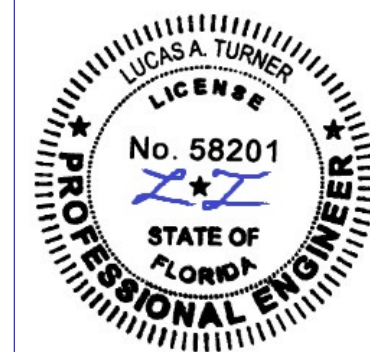
FIXED MEETING RAIL SCREWED TOGETHER WITH OUTERFRAME 1:8

**Custom**  
WINDOW SYSTEMS

1900 SW 44TH AVE.  
OCALA, FLORIDA 34474  
WWW.CWS.CC

**8100 PVC SINGLE HUNG IMPACT**

PROPRIETARY AND CONFIDENTIAL  
THE INFORMATION CONTAINED IN THIS DRAWING IS THE SOLE PROPERTY OF CUSTOM WINDOW SYSTEMS, INC. ANY REPRODUCTION IN PART OR AS A WHOLE WITHOUT THE WRITTEN PERMISSION OF CUSTOM WINDOW SYSTEMS, INC IS PROHIBITED.



1/21/2022

LUCAS A. TURNER, P.E.  
FL PE # 58201  
2428 Old Natchez Trc Trl  
Camden, TN 38320  
PH. 941-380-1574

SHEET DESCRIPTION:

**BOM AND EXTRUSIONS**

DRAWN BY: <b>EMK</b>	DATE: <b>09/18/14</b>
DWG #: <b>CWS-957</b>	REV.: <b>E</b>
SCALE: <b>1:2</b>	SHEET <b>4 OF 6</b>

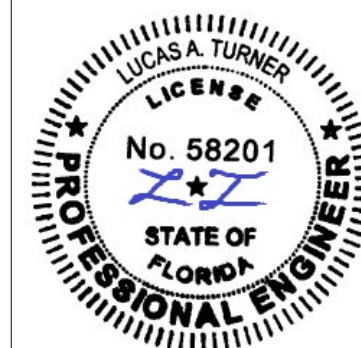
NOTE: ALL ALUMINIUM EXTRUSIONS ARE 6063-T6 UNLESS OTHERWISE NOTED.

FL# 17339



**8100 PVC  
SINGLE HUNG  
IMPACT**

PROPRIETARY AND CONFIDENTIAL  
THE INFORMATION CONTAINED IN  
THIS DRAWING IS THE SOLE  
PROPERTY OF CUSTOM WINDOW  
SYSTEMS, INC. ANY  
REPRODUCTION IN PART OR AS A  
WHOLE WITHOUT THE WRITTEN  
PERMISSION OF CUSTOM WINDOW  
SYSTEMS, INC IS PROHIBITED.

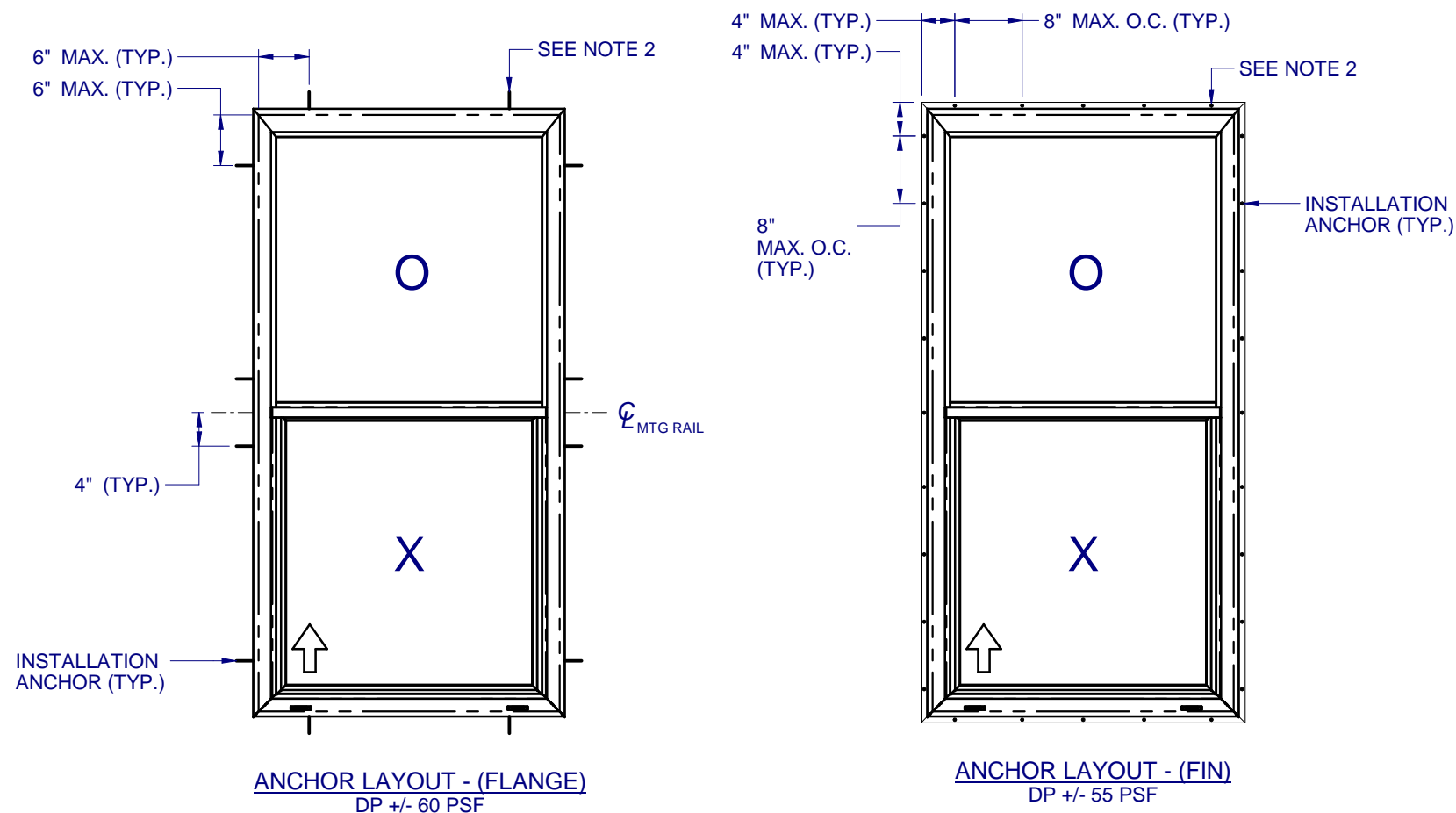


1/21/2022

LUCAS A. TURNER, P.E.  
FL PE # 58201  
2428 Old Natchez Trc Trl  
Camden, TN 38320  
PH. 941-380-1574

SHEET DESCRIPTION:  
**ANCHOR SCHEDULE AND  
NOTES**

DRAWN BY: <b>EMK</b>	DATE: <b>09/18/14</b>
DWG #: <b>CWS-957</b>	REV.: <b>E</b>
SCALE: <b>1:20</b>	<b>SHEET 5 OF 6</b>



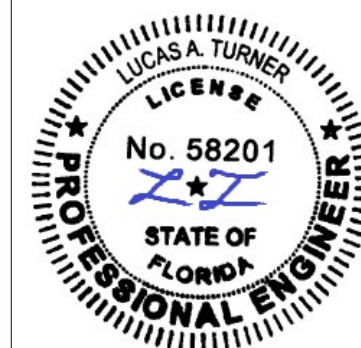
**NOTES:**

1. INSTALL ONE ANCHOR AT EACH INSTALLATION LOCATION. SILL ANCHOR SPACING SAME AS HEAD.
2. SHIM AS REQ AT EACH INSTALLATION ANCHOR USING LOAD BEARING SHIMS. MAX. ALLOWABLE SHIM STACK TO BE 1/4". USE SHIMS WHERE SPACE GREATER THAN 1/16" IS PRESENT. LOAD BEARING SHIMS SHALL BE CONSTRUCTED OF HIGH DENSITY PLASTIC OR BETTER. WOOD SHIMS ARE NOT ALLOWED.
3. ANCHOR TYPE, SIZE, SPACING AND EMBEDMENT SHALL BE AS SPECIFIED IN THESE DRAWINGS, SEE TABLE 1, SHEET 6.
4. ALL INSTALLATION ANCHORS MUST BE MADE OF OR PROTECTED WITH A CORROSION RESISTANT MATERIAL OR COATING. DISSIMILAR METALS OR MATERIALS IN CONTACT WITH PRESSURE TREATED WOOD MUST BE PROTECTED TO PREVENT REACTION.
5. INSTALLATION ANCHORS SHALL BE IN ACCORDANCE WITH ANCHOR MANUFACTURER'S INSTALLATION INSTRUCTIONS, AND ANCHORS SHALL NOT BE USED IN SUBSTRATES WITH STRENGTHS LESS THAN THE MINIMUM SPECIFIED IN TABLE 1, SHEET 6.
6. ANCHOR EMBEDMENT TO SUBSTRATE SHALL BE BEYOND WALL DRESSING OR STUCCO. FOR CONCRETE/CMU OPENINGS, EMBEDMENT SHALL BE BEYOND WOOD BUCKS, IF USED, INTO SUBSTRATE. INSTALLATIONS TO SOLID CONCRETE OR GROUT-FILLED CMU MAY INCLUDE BUT DO NOT REQUIRE 1X WOOD BUCKS BETWEEN THE PRODUCT AND THE SUBSTRATE. INSTALLATIONS TO HOLLOW CMU REQUIRE THE USE OF 1X BUCKS BETWEEN THE PRODUCT AND SUBSTRATE.
7. A MINIMUM CENTER-TO-CENTER SPACING SHALL BE MAINTAINED BETWEEN ALL FASTENERS: 3" FOR MASONRY, 1" FOR WOOD AND METAL.
8. WOOD OR MASONRY OPENINGS, BUCKS AND BUCK FASTENERS SHALL BE PROPERLY DESIGNED BY THE ARCHITECT OR ENGINEER OF RECORD AND INSTALLED TO TRANSFER WIND LOADS TO THE STRUCTURE. SUBSTRATES SHALL MEET THE MINIMUM STRENGTH REQUIREMENTS AS SHOWN IN TABLE1, SHEET 6. CONCRETE AND MASONRY SUBSTRATES MAY NOT BE CRACKED.
9. SEALING AND FLASHING STRATEGIES FOR OVERALL WATER RESISTANCE OF INSTALLATION SHALL BE DONE BY OTHERS FOLLOWING THE CURRENT VERSION OF THE REFERENCE DOCUMENTS:  
FMA/AAMA 100(FIN WINDOWS), FMA/AAMA 200(FLANGE WINDOWS), FMA/WDMA 250(BOX WINDOWS), FMA/AAMA/WDMA 300(EXTERIOR DOORS)

**FL# 17339**

**8100 PVC  
SINGLE HUNG  
IMPACT**

PROPRIETARY AND CONFIDENTIAL  
THE INFORMATION CONTAINED IN THIS DRAWING IS THE SOLE PROPERTY OF CUSTOM WINDOW SYSTEMS, INC. ANY REPRODUCTION IN PART OR AS A WHOLE WITHOUT THE WRITTEN PERMISSION OF CUSTOM WINDOW SYSTEMS, INC IS PROHIBITED.



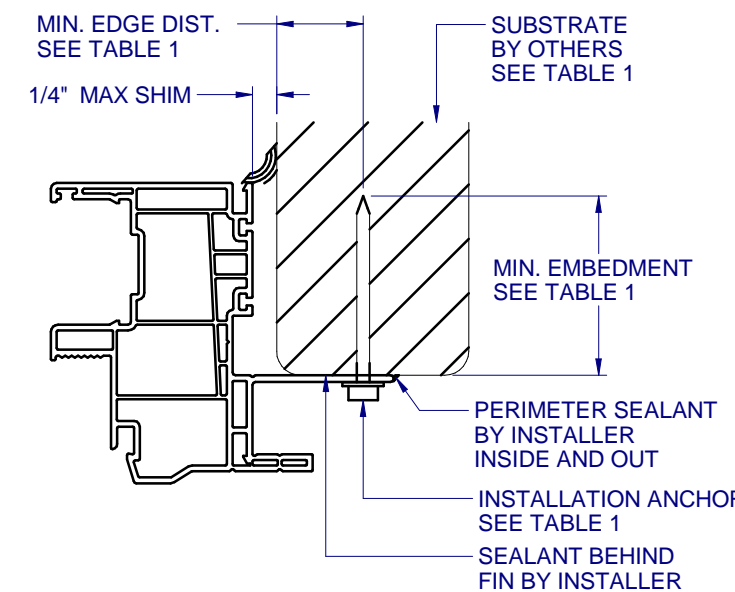
1/21/2022

LUCAS A. TURNER, P.E.  
FL PE # 58201  
2428 Old Natchez Trc Trl  
Camden, TN 38320  
PH. 941-380-1574

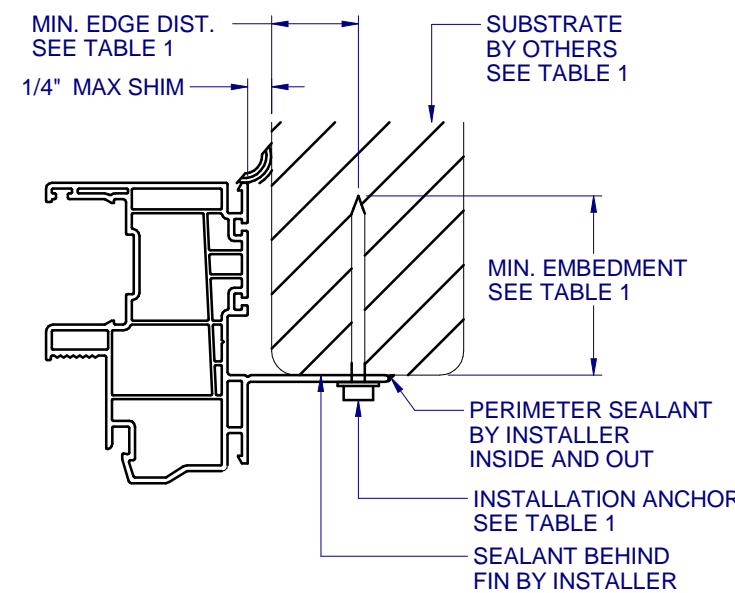
SHEET DESCRIPTION:

**INSTALLATION DETAILS**

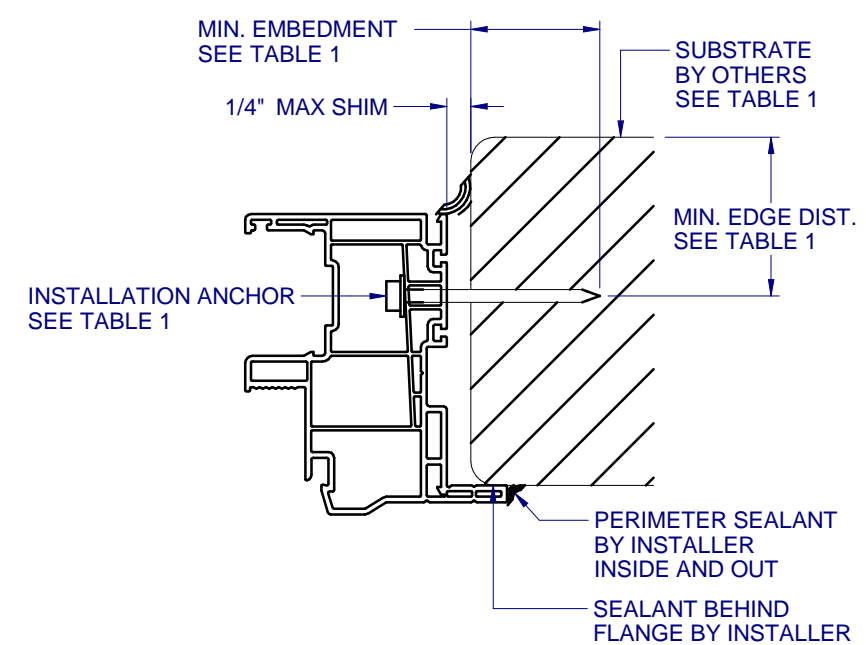
DRAWN BY:	DATE:
EMK	09/18/14
DWG #:	REV.:
CWS-957	E
SCALE:	SHEET
1:2	6 OF 6



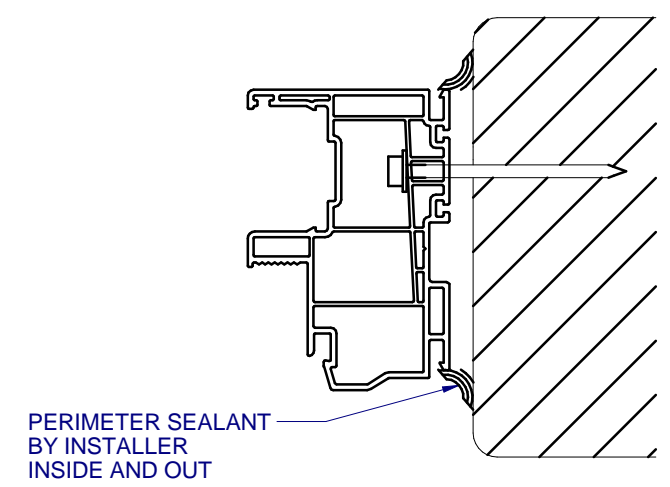
**C** HORIZONTAL SECTION  
**6** TYPICAL FIN ANCHORAGE  
HEAD AND SILL SIMILAR FOR FIN INSTALLATION



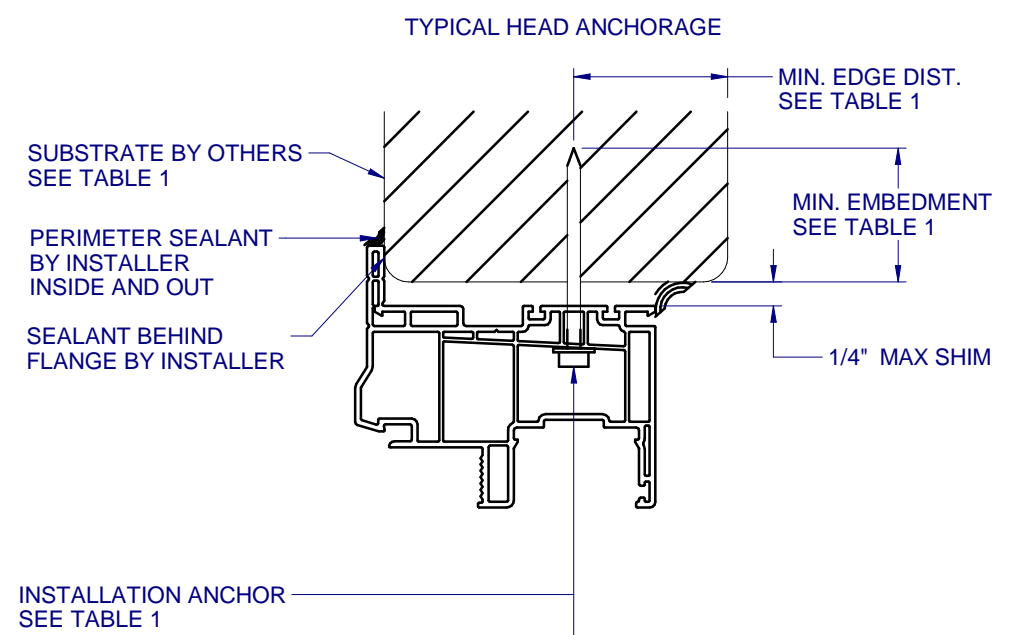
**E** HORIZONTAL SECTION  
**6** TYPICAL FIN ANCHORAGE  
HEAD AND SILL SIMILAR FOR FIN INSTALLATION



**B** HORIZONTAL SECTION  
**6** TYPICAL JAMB ANCHORAGE



**D** HORIZONTAL SECTION  
**6** BOX FRAME INSTALLATION  
HEAD AND SILL SIMILAR FOR BOX INSTALLATION



**A** VERTICAL SECTION  
**6** TYPICAL SILL ANCHORAGE

**TABLE 1: APPROVED INSTALLATION FASTENERS**

FRAME TYPE	SUBSTRATE TYPE	ANCHOR TYPE	MIN. EMBEDMENT	MIN. EDGE DIST.
FLANGE	CONCRETE (2.0 KSI MIN.)	3/16" ITW TAPCON	1-1/2"	1-1/8"
FLANGE	HOLLOW OR GROUT-FILLED CMU (117 PCF MIN.)	3/16" ITW TAPCON	1"	2"
FLANGE	CONCRETE (2.85 KSI MIN.)	3/16" ELCO ULTRACON	1"	1"
FLANGE	GROUT-FILLED CMU (ASTM C-90)	3/16" ELCO ULTRACON	1-1/4"	2-1/2"
FLANGE	2X MIN. SOUTHERN PINE (G=0.55)	3/16" ITW TAPCON OR ELCO ULTRACON	1-3/8"	7/8"
FLANGE	2X MIN. SOUTHERN PINE (G=0.55)	#10 WOOD SCREW	1-3/8"	7/8"
FLANGE	16 GAUGE (0.060") MIN. STEEL STUD (33 KSI YIELD MIN)	#10-16 HILTI KWIK-FLEX OR ITW TEKS SELF-DRILLING SCREW	FULL THREAD THRU 0.060"	7/16"
FLANGE	1/8" ALUM. (6063-T5 MIN.) OR 1/8" STEEL (33 KSI MIN.)	#10 GRADE 5 SELF-TAPPING / DRILLING SCREW	FULL THREAD THRU 0.125"	7/16"
FIN	2X MIN. SOUTHERN PINE (G=0.55)	#8 WOOD SCREW	1-1/2"	7/16"

FLANGE REMOVAL NOTE: PARTIALLY OR FULLY REMOVING THE FLANGE, UP TO AND INCLUDING A BOX-FRAME APPLICATION IS ACCEPTABLE PROVIDED:

- MIN. 1/4" FILLET OF CONSTRUCTION-GRADE ADHESIVE CAULK IS APPLIED INSIDE AND OUT, FULL PERIMETER, BY INSTALLER.
- PRODUCT ANCHORAGE IS IN ACCORDANCE WITH REQUIREMENTS AS SHOWN FOR FLANGE WINDOWS.

FL# 17339