

REVISIONS			
REV	DESCRIPTION	DATE	APPROVED


NOTES:

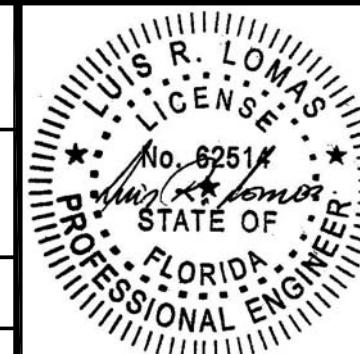
1. THE PRODUCT SHOWN HEREIN IS DESIGNED AND MANUFACTURED TO COMPLY WITH REQUIREMENTS OF THE FLORIDA BUILDING CODE INCLUDING THE HVHZ.
2. WOOD FRAMING, METAL STRUCTURE AND MASONRY OPENING TO BE DESIGNED AND ANCHORED TO PROPERLY TRANSFER ALL LOADS TO STRUCTURE. FRAMING AND MASONRY OPENING IS THE RESPONSIBILITY OF THE ARCHITECT OR ENGINEER OF RECORD.
3. WHERE SHIM OR BUCK THICKNESS IS LESS THAN 1-1/2" UNITS MUST BE ANCHORED THROUGH THE FRAME IN ACCORDANCE WITH MANUFACTURER'S PUBLISHED INSTALLATION INSTRUCTIONS. ANCHORS SHALL BE SECURELY FASTENED DIRECTLY INTO MASONRY, CONCRETE OR OTHER STRUCTURAL SUBSTRATE MATERIAL.
4. WHERE WOOD BUCK THICKNESS IS 1-1/2" OR GREATER, BUCK SHALL BE SECURELY FASTENED TO MASONRY, CONCRETE OR OTHER STRUCTURAL SUBSTRATE. UNITS MAY BE ANCHORED THROUGH FRAME TO SECURED WOOD BUCK IN ACCORDANCE WITH MANUFACTURER'S PUBLISHED INSTALLATION INSTRUCTIONS.
5. WHERE 1X BUCK IS NOT USED DISSIMILAR MATERIALS MUST BE SEPARATED WITH APPROVED COATING OR MEMBRANE. SELECTION OF COATING OR MEMBRANE IS THE RESPONSIBILITY OF THE ARCHITECT OR ENGINEER OF RECORD.
6. BUCKS SHALL EXTEND BEYOND UNIT FRAME INTERIOR FACE SO THAT FULL FRAME SUPPORT IS PROVIDED.
7. SHIM AS REQUIRED AT EACH ANCHOR LOCATION WITH LOAD BEARING SHIM. SHIM WHERE SPACE OF 1/16" OR GREATER OCCURS. MAXIMUM ALLOWABLE SHIM STACK TO BE 1/4".
8. SHIMS SHALL BE LOCATED, APPLIED AND MADE FROM MATERIALS AND THICKNESS CAPABLE OF SUSTAINING APPLICABLE LOADS.
9. WIND LOAD DURATION FACTOR Cd=1.6 WAS USED FOR WOOD ANCHOR CALCULATIONS.
10. FRAME MATERIAL: ALUMINUM 6063-T6.
11. UNITS MUST BE GLAZED PER ASTM E1300, SEE SHEET 8 FOR GLASS DETAILS.
12. APPROVED IMPACT PROTECTIVE SYSTEM IS NOT REQUIRED FOR THIS PRODUCT IN WIND BORNE DEBRIS REGIONS.

13. FOR ANCHORING THROUGH FRAME INTO WOOD FRAMING OR 2X BUCK USE #14 WOOD SCREWS WITH SUFFICIENT LENGTH TO ACHIEVE A 1 7/16" MINIMUM EMBEDMENT INTO SUBSTRATE. LOCATE ANCHORS AS SHOWN IN ELEVATIONS AND INSTALLATION DETAILS.
14. FOR ANCHORING THROUGH FRAME INTO MASONRY/CONCRETE USE 1/4" TAPCONS WITH SUFFICIENT LENGTH TO ACHIEVE A 1 3/4" MINIMUM EMBEDMENT INTO SUBSTRATE WITH 2" MINIMUM EDGE DISTANCE. LOCATE ANCHORS AS SHOWN IN ELEVATIONS AND INSTALLATION DETAILS.
15. FOR ANCHORING THROUGH FRAME INTO METAL STRUCTURE USE #14 SMS OR SELF DRILLING SCREWS WITH SUFFICIENT LENGTH TO ACHIEVE 3 THREADS MINIMUM BEYOND STRUCTURE INTERIOR WALL. LOCATE ANCHORS AS SHOWN IN ELEVATIONS AND INSTALLATION DETAILS.
16. ALL FASTENERS TO BE CORROSION RESISTANT.
17. INSTALLATION ANCHORS SHALL BE INSTALLED IN ACCORDANCE WITH ANCHOR MANUFACTURER'S INSTALLATION INSTRUCTIONS AND ANCHORS SHALL NOT BE USED IN SUBSTRATES WITH STRENGTHS LESS THAN THE MINIMUM STRENGTH SPECIFIED BELOW:
  - 17.1. WOOD: MINIMUM SPECIFIC GRAVITY OF G=0.42
  - 17.2. CONCRETE: MINIMUM COMPRESSIVE STRENGTH OF 2,000 PSI.
  - 17.3. MASONRY: GROUND BLOCK PER ASTM C90 WITH Fm=2,000PSI MINIMUM.
  - 17.4. METAL STRUCTURE: STEEL 18GA (.048") FY=33KSI/FU=52KSI OR ALUMINUM 6063-T5 FU=30KSI 1/8" THICK MINIMUM

SIGNED: 01/09/2024

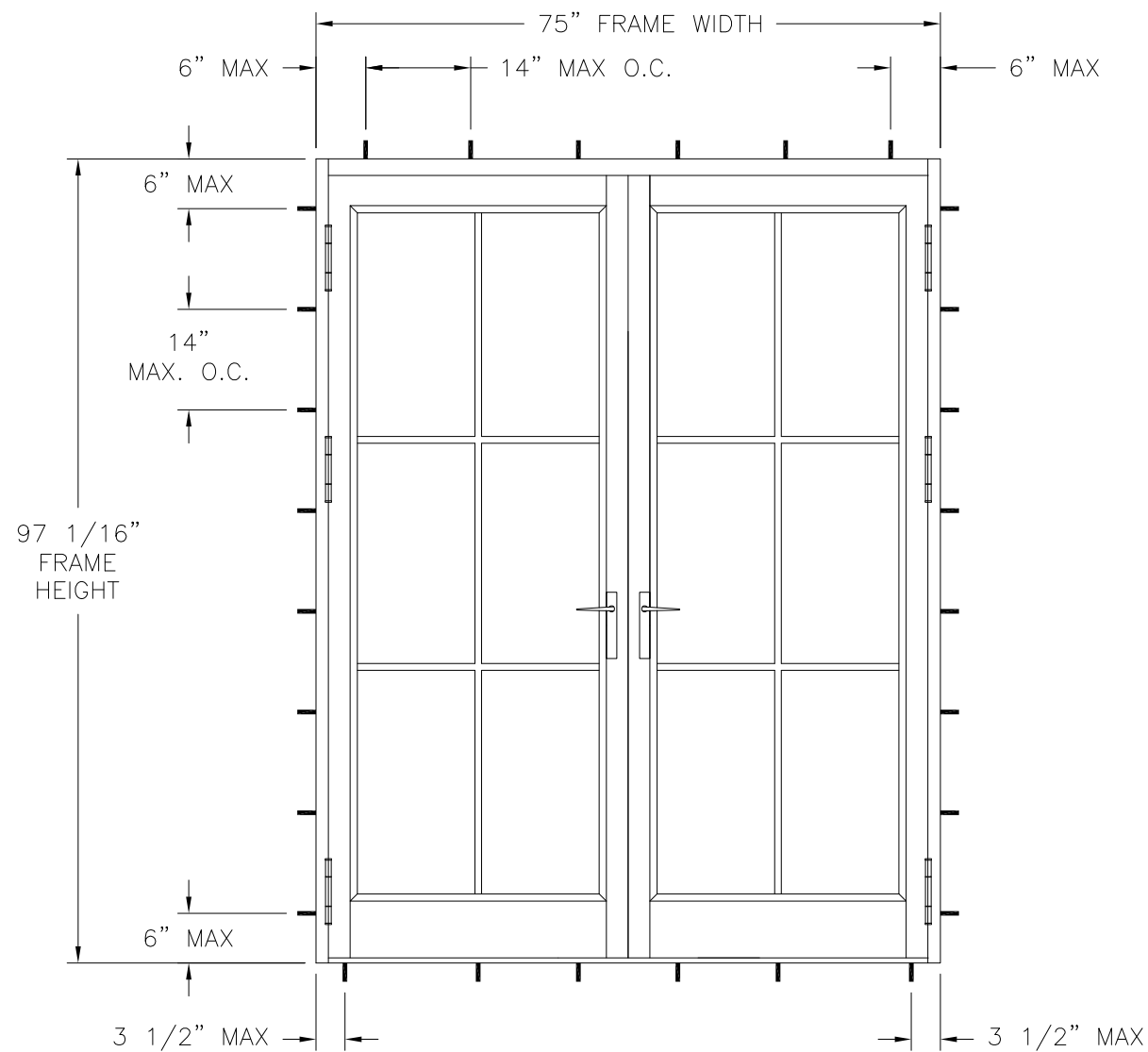
TABLE OF CONTENTS	
SHEET NO.	DESCRIPTION
1	NOTES
2	ELEVATION
3	HORIZONTAL CROSS SECTIONS
4 - 6	INSTALLATION DETAILS
7	COMPONENTS
8	GLAZING DETAILS

		EASTERN ARCHITECTURAL SYSTEMS A DIVISION OF EASTERN METAL SUPPLY 16341 DOMESTIC AVE FORT MYERS, FL 33912 800-432-2204	
SERIES 5000 OUTSWING ALUMINUM DOUBLE FRENCH DOOR - IMPACT NOTES			
DRAWN:		DWG NO.	
A.R.		08-03959	
SCALE NTS		DATE 09/18/2023	SHEET 1 OF 8
L. ROBERTO LOMAS P.E. 208 7th Ave, INDIALANTIC, FL 32903 434-688-0609 rllomas@lrlomaspe.com			



Luis R. Lomas P.E.  
FL No.: 62514

REVISIONS			
REV	DESCRIPTION	DATE	APPROVED



**SERIES 5000 OS ALUMINUM DOUBLE FRENCH DOOR**  
EXTERIOR VIEW

*WITH GLASS A, B, C OR D AND SILL RISER*

DESIGN PRESSURE RATING	IMPACT RATING
<b>±75.0PSF</b>	LARGE & SMALL MISSILE IMPACT

MISSILE LEVEL D, WIND ZONE 4 AND HVHZ  
WHEN WATER PENETRATION RESISTANCE IS REQUIRED

*WITH GLASS A, B, C OR D WITHOUT SILL RISER*

DESIGN PRESSURE RATING	IMPACT RATING
<b>+30.0/-75.0PSF</b>	LARGE & SMALL MISSILE IMPACT

MISSILE LEVEL D, WIND ZONE 4 AND HVHZ  
WHEN WATER PENETRATION RESISTANCE IS REQUIRED

*WITH GLASS A, B, C OR D WITH OR WITHOUT SILL RISER*

DESIGN PRESSURE RATING	IMPACT RATING
<b>±75.0PSF</b>	LARGE & SMALL MISSILE IMPACT

MISSILE LEVEL D, WIND ZONE 4 AND HVHZ  
WHEN WATER PENETRATION RESISTANCE IS NOT REQUIRED

*WITH GLASS E OR F AND SILL RISER*

DESIGN PRESSURE RATING	IMPACT RATING
<b>±60.0PSF</b>	LARGE & SMALL MISSILE IMPACT

MISSILE LEVEL D, WIND ZONE 4 AND HVHZ  
WHEN WATER PENETRATION RESISTANCE IS REQUIRED

*WITH GLASS E OR F WITHOUT SILL RISER*

DESIGN PRESSURE RATING	IMPACT RATING
<b>+30.0/-60.0PSF</b>	LARGE & SMALL MISSILE IMPACT

MISSILE LEVEL D, WIND ZONE 4 AND HVHZ  
WHEN WATER PENETRATION RESISTANCE IS REQUIRED

*WITH GLASS E OR F WITH OR WITHOUT SILL RISER*


DESIGN PRESSURE RATING	IMPACT RATING
<b>±60.0PSF</b>	LARGE & SMALL MISSILE IMPACT

MISSILE LEVEL D, WIND ZONE 4 AND HVHZ  
WHEN WATER PENETRATION RESISTANCE IS NOT REQUIRED

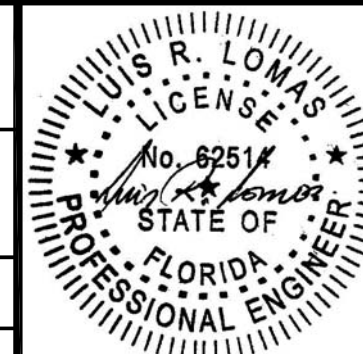
- NOTES:**
- PANEL SIZE: 35 3/4" X 94 1/32"
  - D.L.O. SIZE: 27 1/4" X 86 9/32"
  - HINGES AT: 8", 33 1/2" & 84 1/2" MEASURING FROM TOP TO BOTTOM OF THE DOOR

**HARDWARE SCHEDULE**

A.	(3) BUTT HINGES AT EACH PANEL HINGE STILE
B.	(3) STEEL HINGE BACKER PLATES AT FRAME HINGE JAMB AND PANEL JAMB STILE
C.	STEEL MULTIPPOINT LOCK WITH SHOOT BOLTS TOP AND BOTTOM
D.	PLASTIC SHOOT BOLT GUIDES AT THE TOP AND BOTTOM OF LOCK STILE

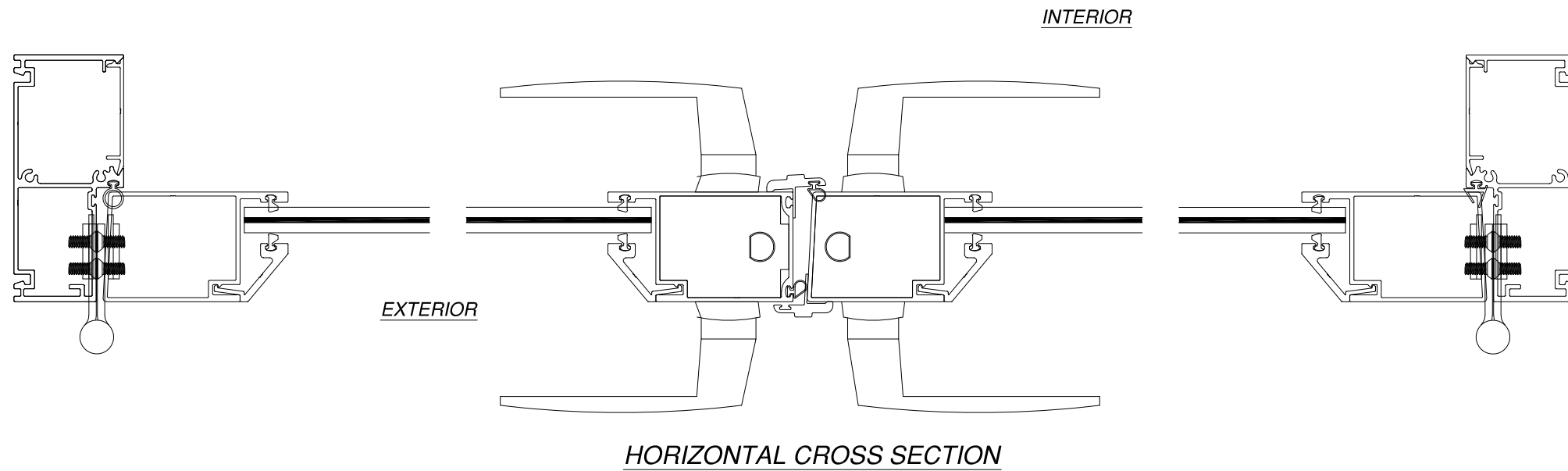
		EASTERN ARCHITECTURAL SYSTEMS A DIVISION OF EASTERN METAL SUPPLY 16341 DOMESTIC AVE FORT MYERS, FL 33912 800-432-2204
SERIES 5000 OUTSWING ALUMINUM DOUBLE FRENCH DOOR – IMPACT ELEVATION AND GLAZING DETAILS		
DRAWN: A.R.	DWG NO. 08-03959	REV -
SCALE NTS	DATE 09/18/2023	SHEET 2 OF 8
L. ROBERTO LOMAS P.E. 208 7th Ave, INDIALANTIC, FL 32903 434-688-0609 rllomas@rlomaspe.com		

SIGNED: 01/09/2024



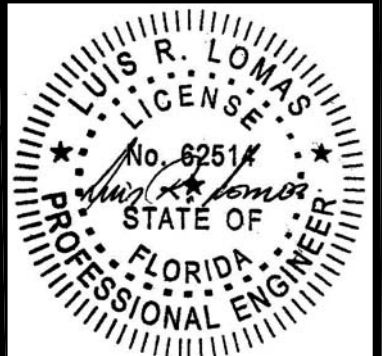
Luis R. Lomas P.E.  
FL No.: 62514

REVISIONS			
REV	DESCRIPTION	DATE	APPROVED



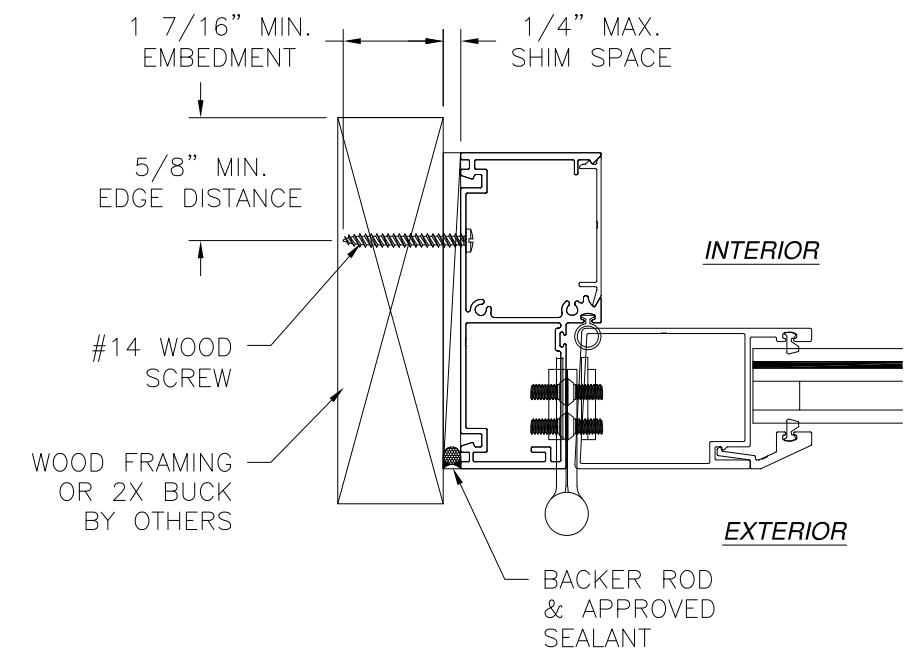
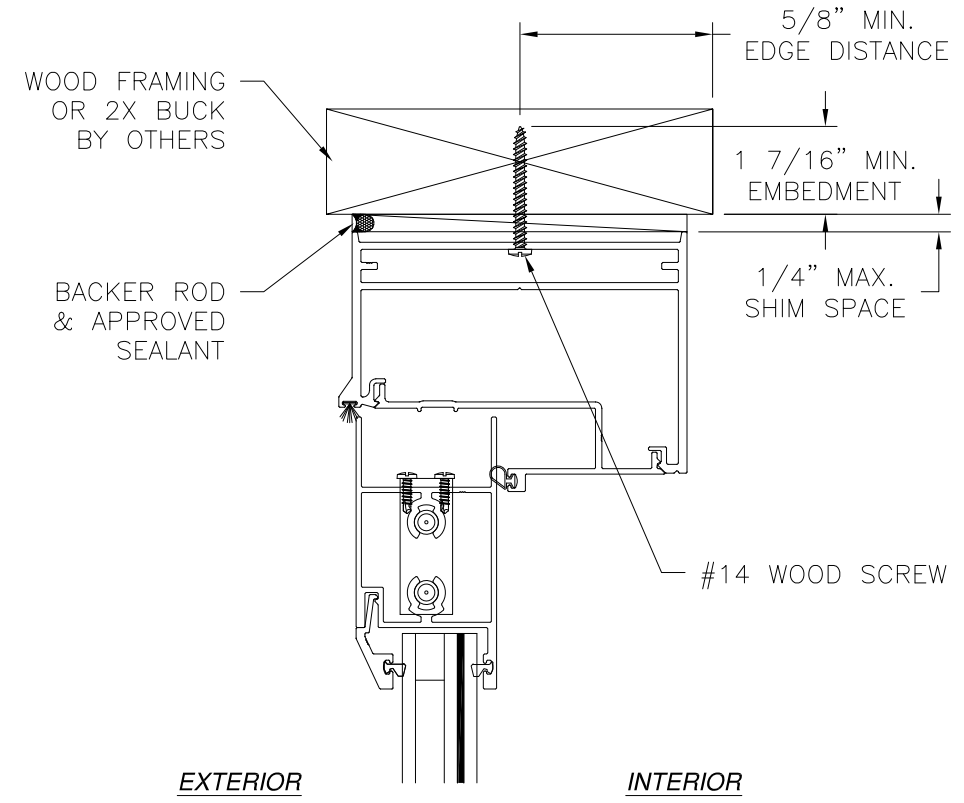
SIGNED: 01/09/2024

		EASTERN ARCHITECTURAL SYSTEMS A DIVISION OF EASTERN METAL SUPPLY 16341 DOMESTIC AVE FORT MYERS, FL 33912 800-432-2204	
SERIES 5000 OUTSWING ALUMINUM DOUBLE FRENCH DOOR – IMPACT HORIZONTAL CROSS SECTIONS			
DRAWN:	DWG NO.	REV	
A.R.	08-03959	-	
SCALE NTS	DATE	SHEET	OF
	09/18/2023	3	8
L. ROBERTO LOMAS P.E. 208 7th Ave, INDIALANTIC, FL 32903 434-688-0609 rllomas@lrlomaspe.com			

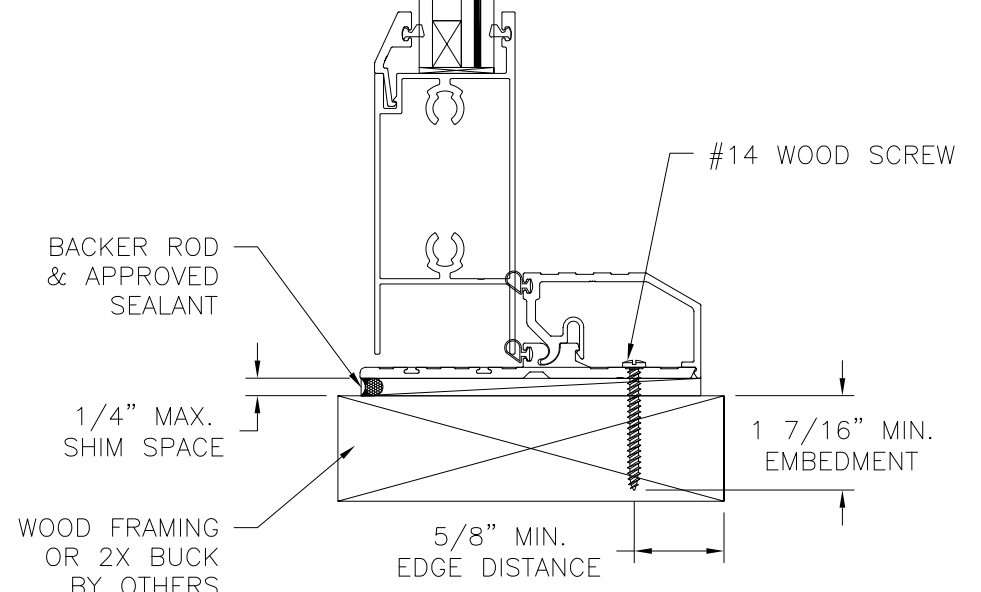


Luis R. Lomas P.E.  
FL No.: 62514

REVISIONS			
REV	DESCRIPTION	DATE	APPROVED



**JAMB INSTALLATION DETAIL**  
WOOD FRAMING OR 2X BUCK INSTALLATION



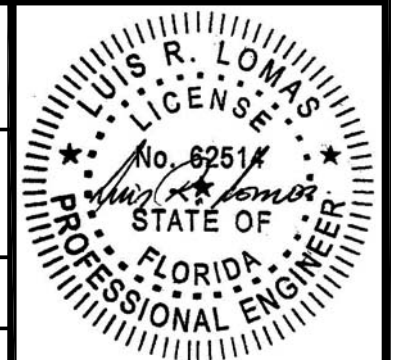
**VERTICAL CROSS SECTION**  
WOOD FRAMING OR 2X BUCK INSTALLATION

**NOTES:**

1. INTERIOR AND EXTERIOR FINISHES, BY OTHERS, NOT SHOWN FOR CLARITY.
2. PERIMETER AND JOINT SEALANT BY OTHERS TO BE DESIGNED IN ACCORDANCE WITH ASTM E2112

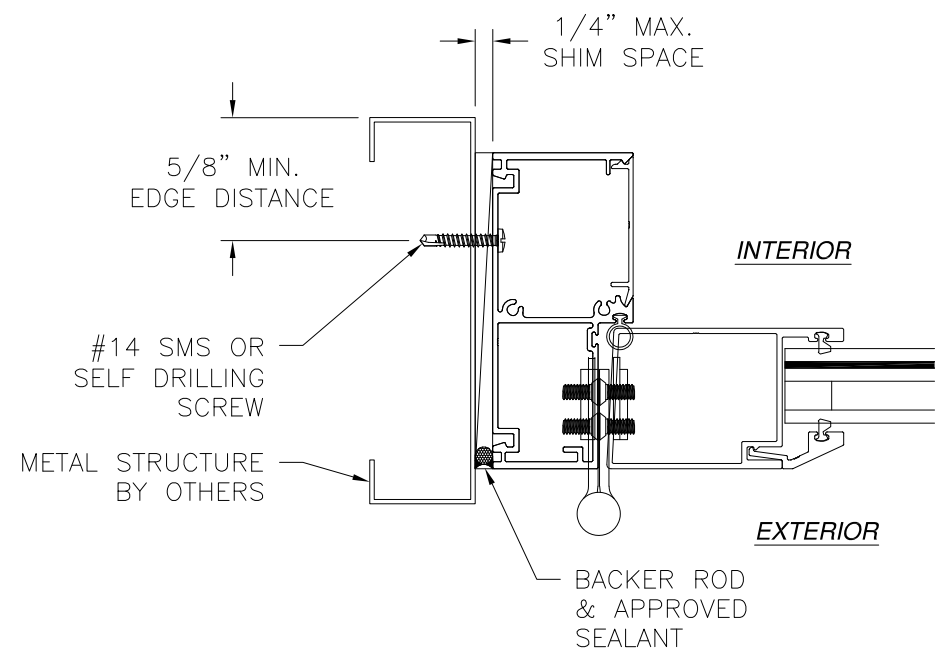
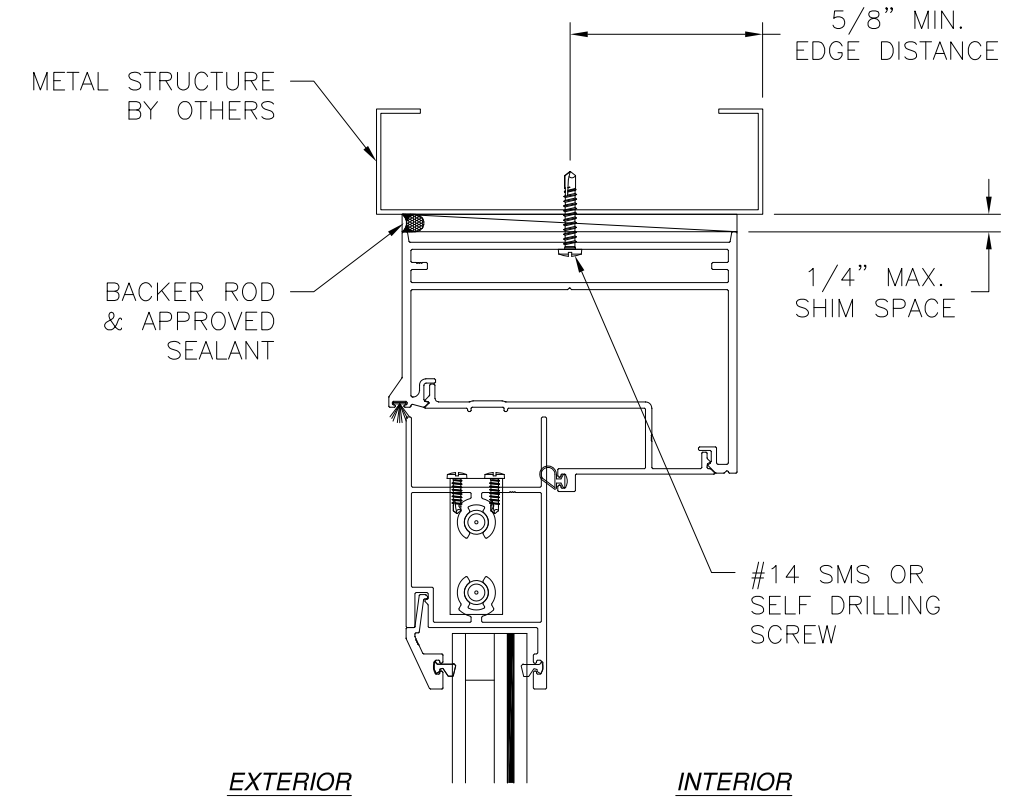
SIGNED: 01/09/2024

		EASTERN ARCHITECTURAL SYSTEMS A DIVISION OF EASTERN METAL SUPPLY 16341 DOMESTIC AVE FORT MYERS, FL 33912 800-432-2204	
<b>SERIES 5000 OUTSWING ALUMINUM DOUBLE FRENCH DOOR – IMPACT INSTALLATION DETAILS</b>			
DRAWN: A.R.	DWG NO. 08-03959	REV -	
SCALE NTS	DATE 09/18/2023	SHEET 4 OF 8	
L. ROBERTO LOMAS P.E. 208 7th Ave, INDIALANTIC, FL 32903 434-688-0609 rllomas@lrlomaspe.com			

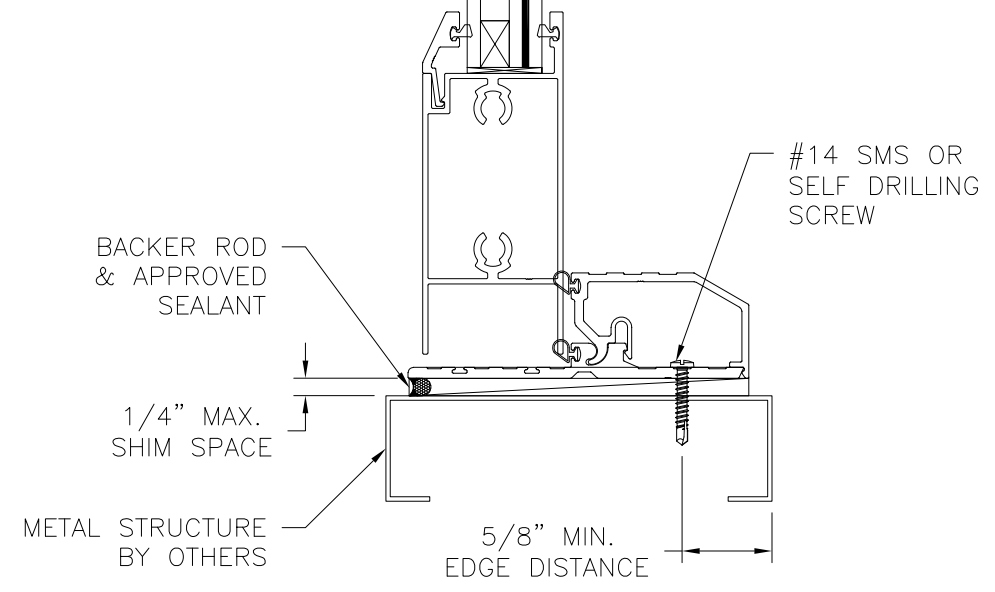


Luis R. Lomas P.E.  
FL No.: 62514

REVISIONS			
REV	DESCRIPTION	DATE	APPROVED



**JAMB INSTALLATION DETAIL**  
METAL STRUCTURE INSTALLATION



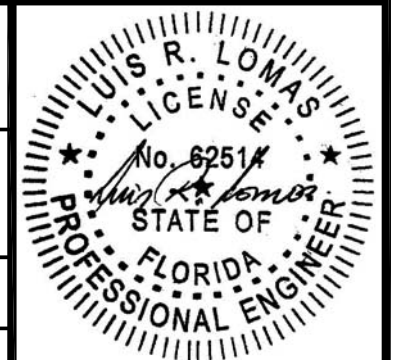
**VERTICAL CROSS SECTION**  
METAL STRUCTURE INSTALLATION

**NOTES:**

1. INTERIOR AND EXTERIOR FINISHES, BY OTHERS, NOT SHOWN FOR CLARITY.
2. PERIMETER AND JOINT SEALANT BY OTHERS TO BE DESIGNED IN ACCORDANCE WITH ASTM E2112

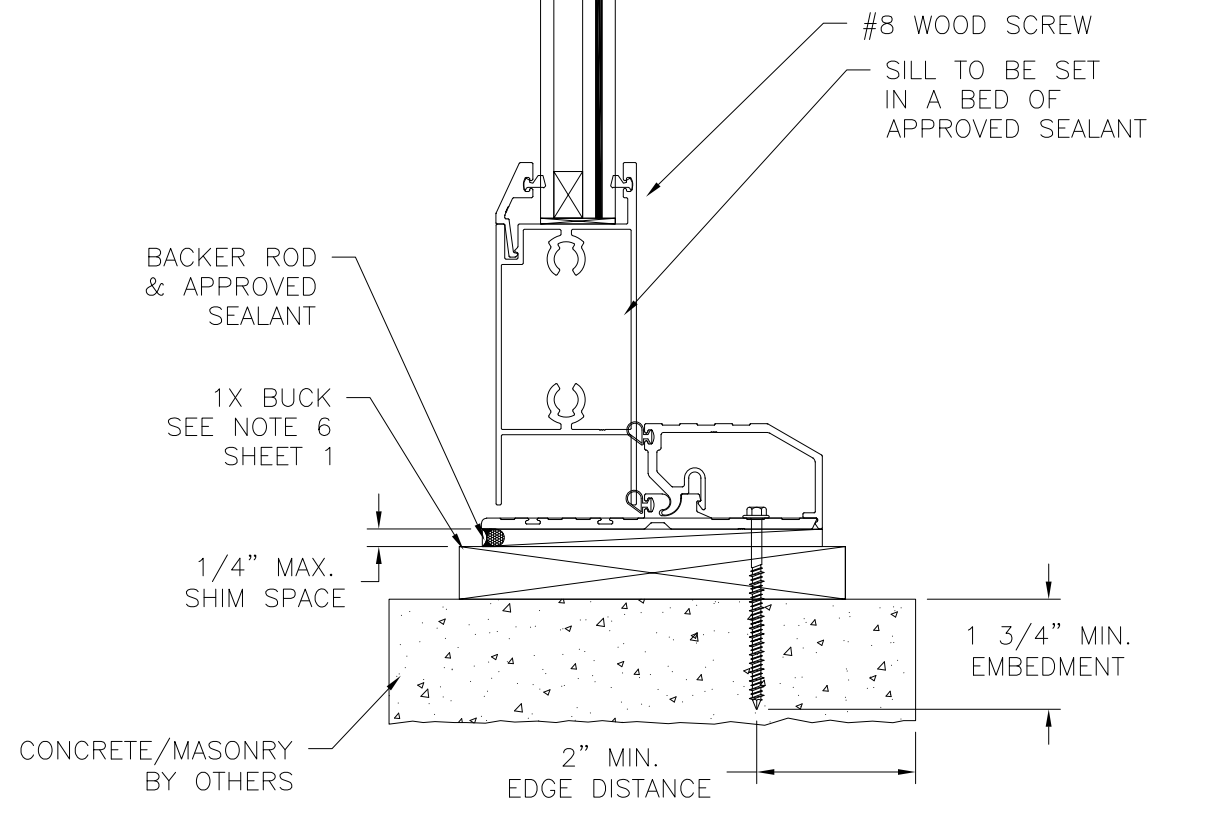
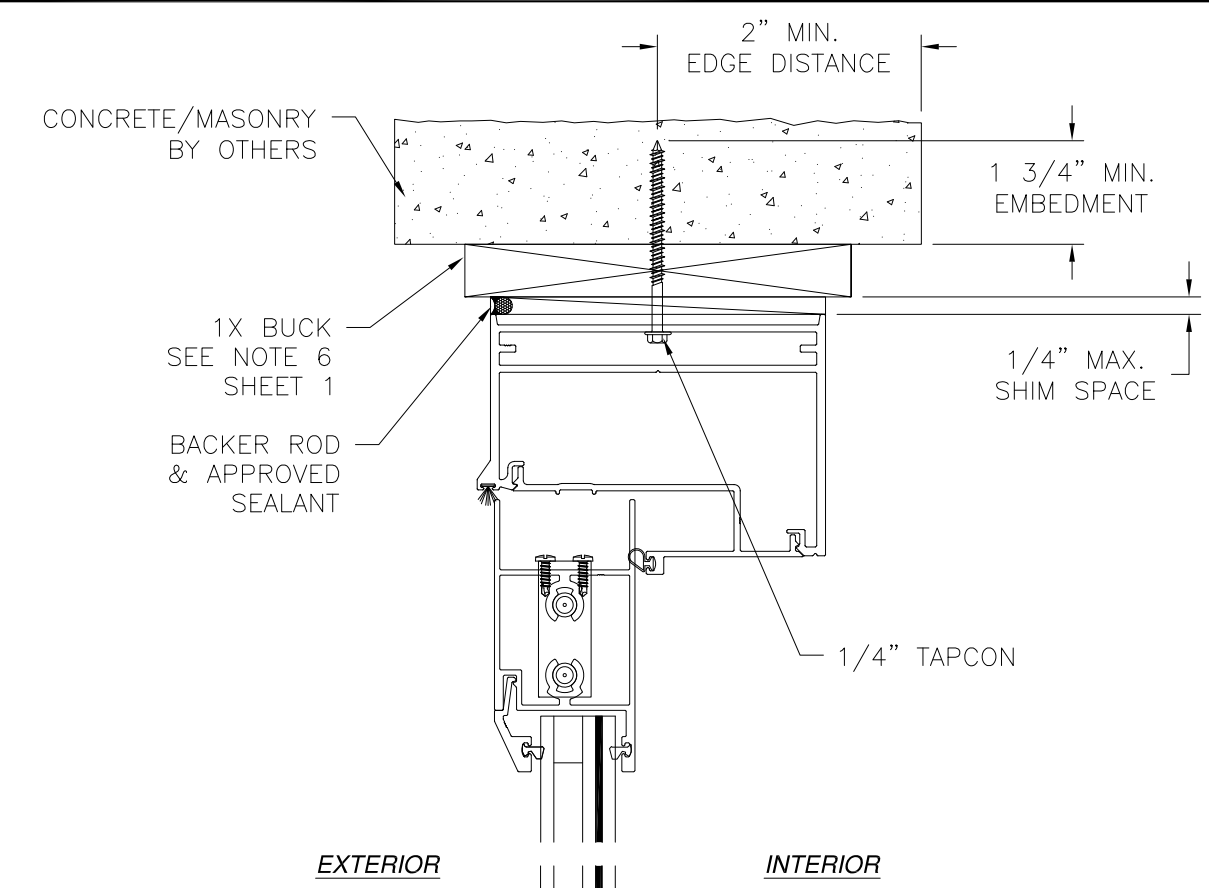
SIGNED: 01/09/2024

		EASTERN ARCHITECTURAL SYSTEMS A DIVISION OF EASTERN METAL SUPPLY 16341 DOMESTIC AVE FORT MYERS, FL 33912 800-432-2204	
<b>SERIES 5000 OUTSWING ALUMINUM DOUBLE FRENCH DOOR – IMPACT INSTALLATION DETAILS</b>			
DRAWN: A.R.	DWG NO. 08-03959	REV -	
SCALE NTS	DATE 09/18/2023	SHEET 5 OF 8	
L. ROBERTO LOMAS P.E. 208 7th Ave, INDIALANTIC, FL 32903 434-688-0609 rllomas@lrlomaspe.com			

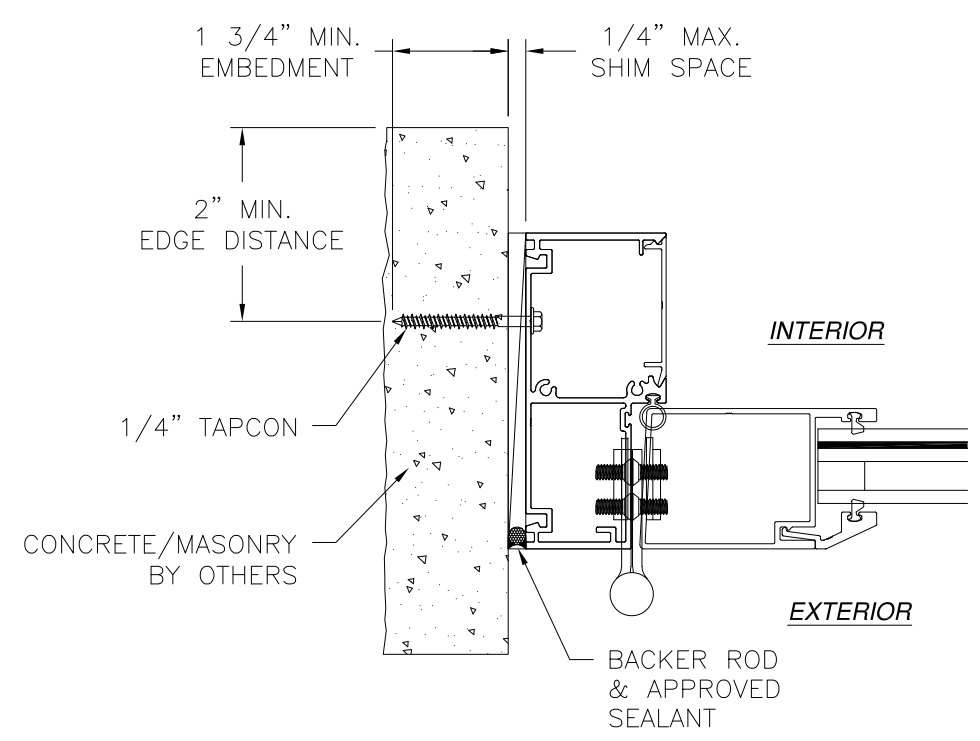


Luis R. Lomas P.E.  
FL No.: 62514

REVISIONS			
REV	DESCRIPTION	DATE	APPROVED



**VERTICAL CROSS SECTION**  
 CONCRETE/MASONRY WITH 1X BUCK INSTALLATION  
 FOR CONCRETE/MASONRY WITHOUT 1X BUCK REFER TO  
 JAMB INSTALLATION DETAIL

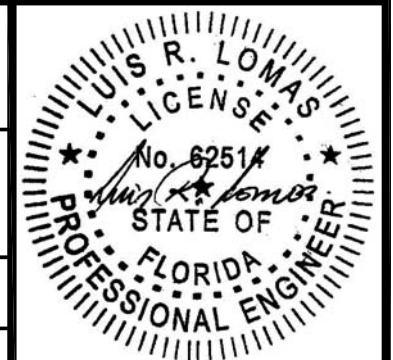


**JAMB INSTALLATION DETAIL**  
 CONCRETE/MASONRY WITHOUT 1X BUCK INSTALLATION  
 FOR CONCRETE/MASONRY WITH 1X BUCK REFER TO  
 HEAD AND SILL INSTALLATION DETAILS

- NOTES:**
1. INTERIOR AND EXTERIOR FINISHES, BY OTHERS, NOT SHOWN FOR CLARITY.
  2. PERIMETER AND JOINT SEALANT BY OTHERS TO BE DESIGNED IN ACCORDANCE WITH ASTM E2112

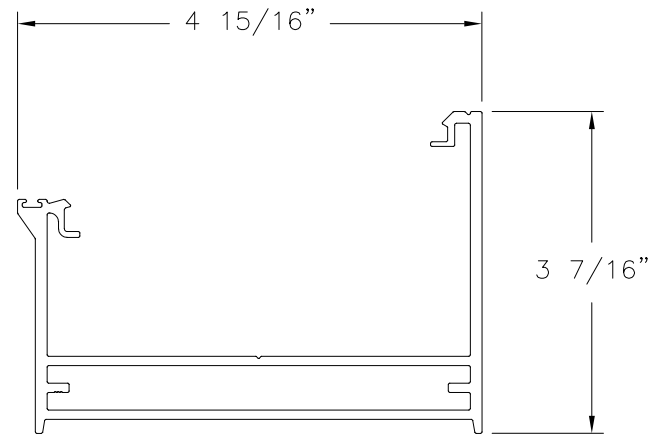
SIGNED: 01/09/2024

 <b>Eastern</b> ARCHITECTURAL SYSTEMS ALUMINUM AND VINYL IMPACT WINDOWS AND DOORS			EASTERN ARCHITECTURAL SYSTEMS A DIVISION OF EASTERN METAL SUPPLY 16341 DOMESTIC AVE FORT MYERS, FL 33912 800-432-2204		
SERIES 5000 OUTSWING ALUMINUM DOUBLE FRENCH DOOR – IMPACT INSTALLATION DETAILS					
DRAWN: A.R.		DWG NO. 08-03959		REV -	
SCALE NTS		DATE 09/18/2023		SHEET 6 OF 8	
L. ROBERTO LOMAS P.E. 208 7th Ave, INDIALANTIC, FL 32903 434-688-0609 rllomas@lrlomaspe.com					

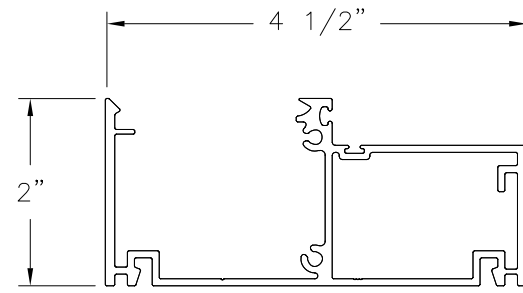


Luis R. Lomas P.E.  
 FL No.: 62514

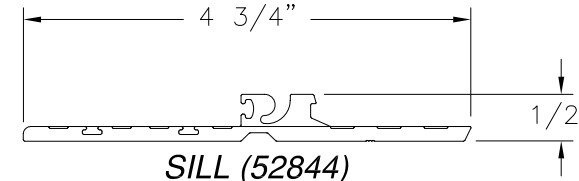
REVISIONS			
REV	DESCRIPTION	DATE	APPROVED



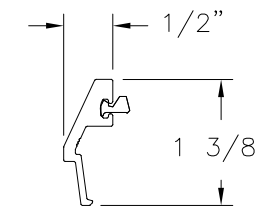
**HEAD (52839)**  
ALUMINUM 6063-T6



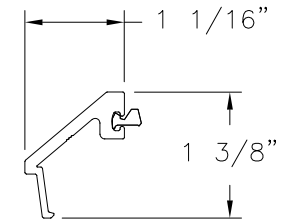
**JAMB (52838)**  
ALUMINUM 6063-T6



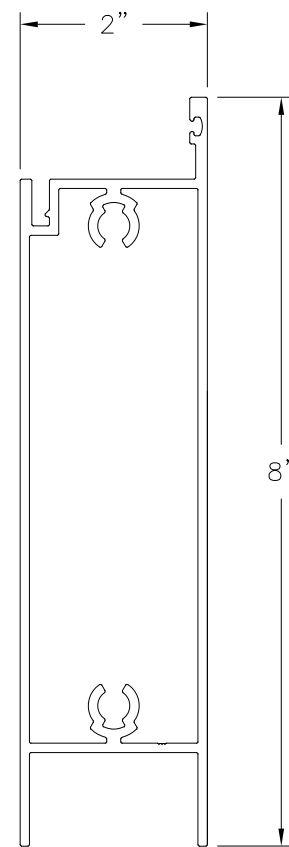
**SILL (52844)**  
ALUMINUM 6063-T6



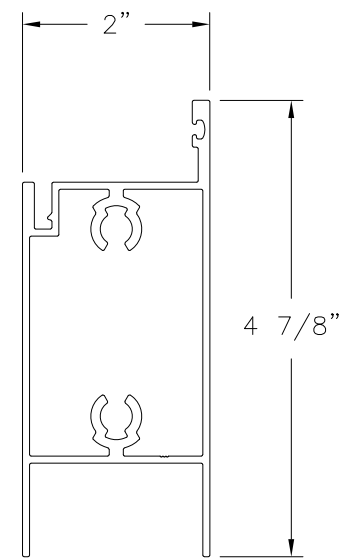
**GLAZING BEAD (52853)**  
ALUMINUM 6063-T6



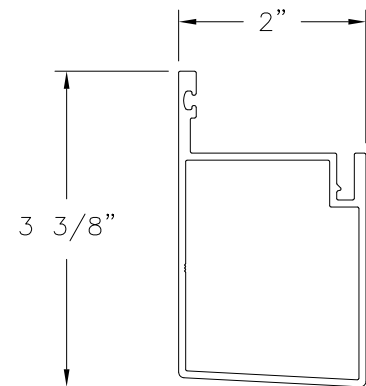
**GLAZING BEAD (52854)**  
ALUMINUM 6063-T6



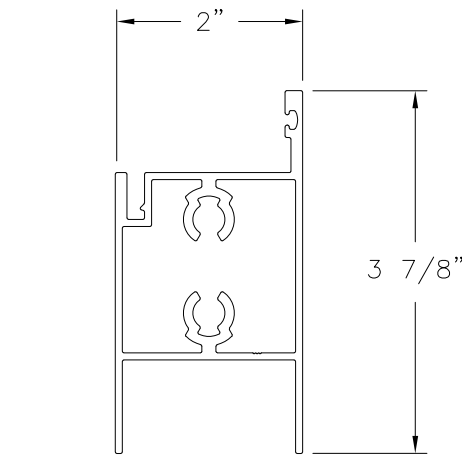
**8" BOTTOM RAIL**  
ALUMINUM 6063-T6



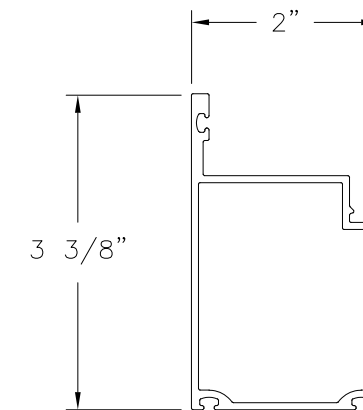
**REGULAR  
BOTTOM RAIL**  
ALUMINUM 6063-T6



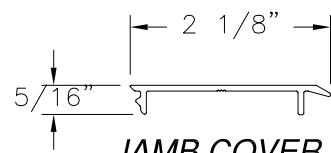
**DOOR HINGE STILE (52848)**  
ALUMINUM 6063-T6



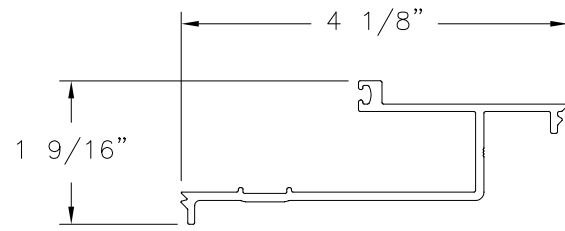
**DOOR TOP RAIL (53419)**  
ALUMINUM 6063-T6



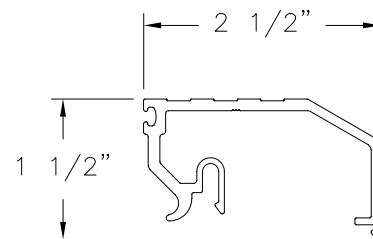
**DOOR STRAIGHT STILE (52849)**  
ALUMINUM 6063-T6



**JAMB COVER**  
ALUMINUM 6063-T6



**HEAD INSERT (52842)**  
ALUMINUM 6063-T6



**SILL ADD-ON (52843)**  
ALUMINUM 6063-T6

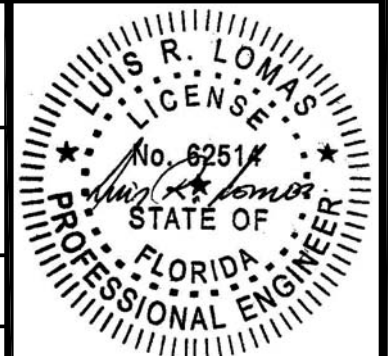
**Eastern** ARCHITECTURAL SYSTEMS  
A DIVISION OF  
EASTERN METAL SUPPLY  
16341 DOMESTIC AVE  
FORT MYERS, FL 33912  
800-432-2204

SERIES 5000 OUTSWING ALUMINUM  
DOUBLE FRENCH DOOR – IMPACT  
COMPONENTS

DRAWN: A.R.	DWG NO. 08-03959	REV -
SCALE NTS	DATE 09/18/2023	SHEET 7 OF 8

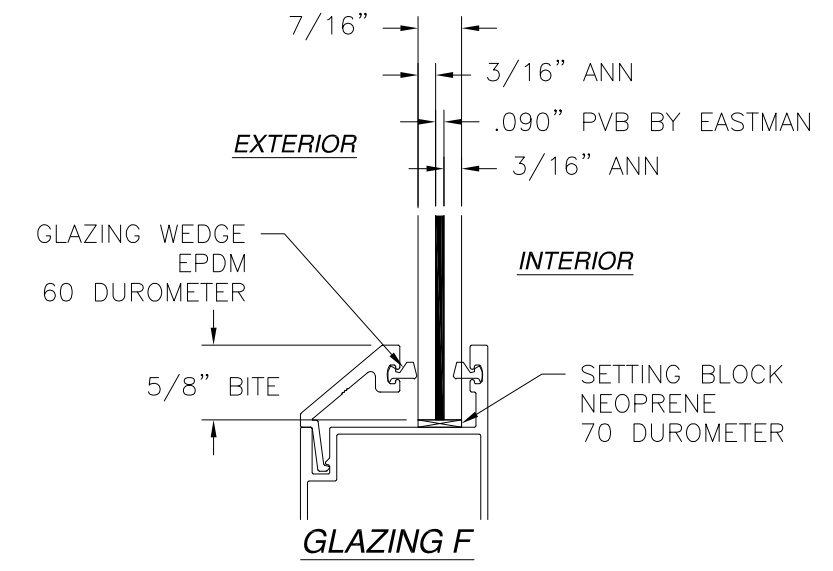
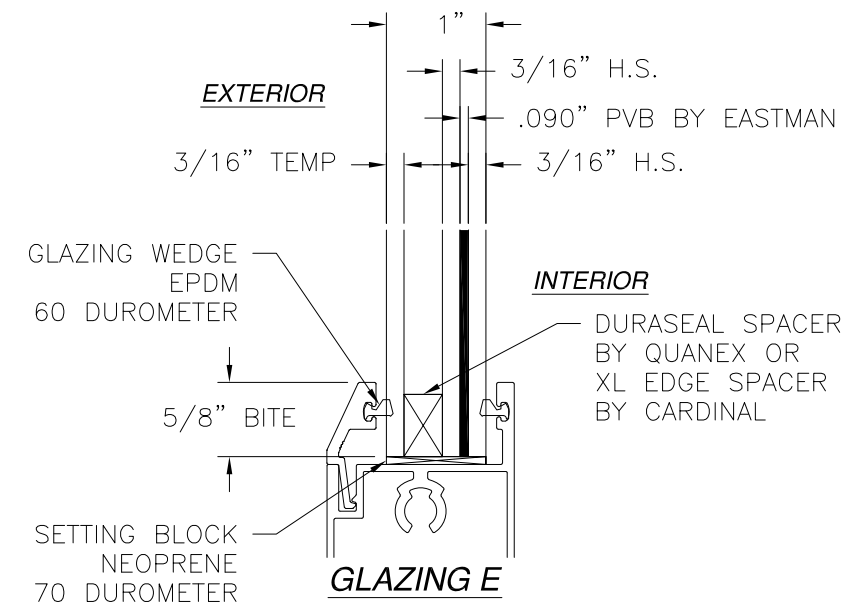
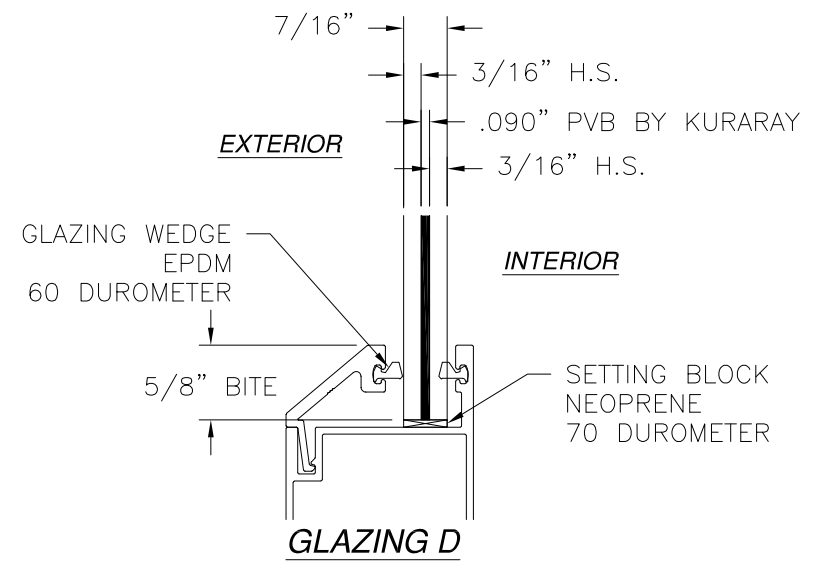
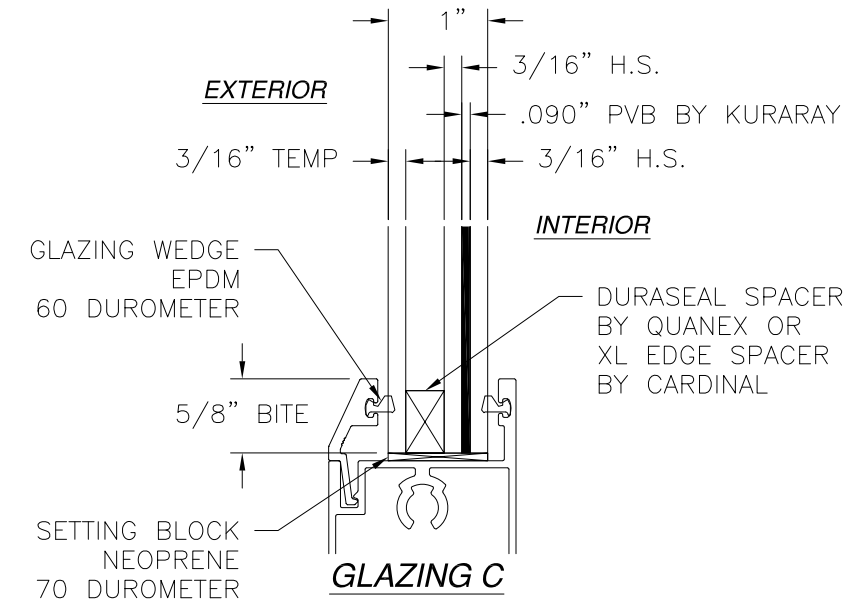
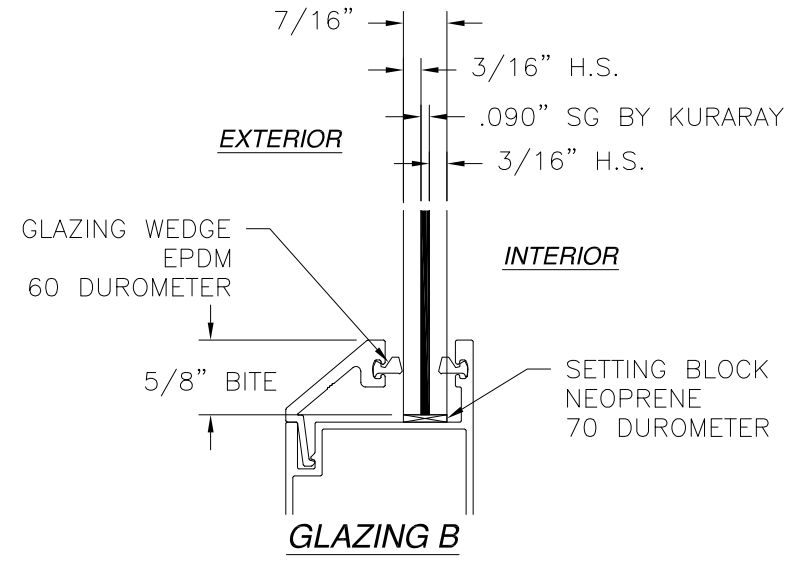
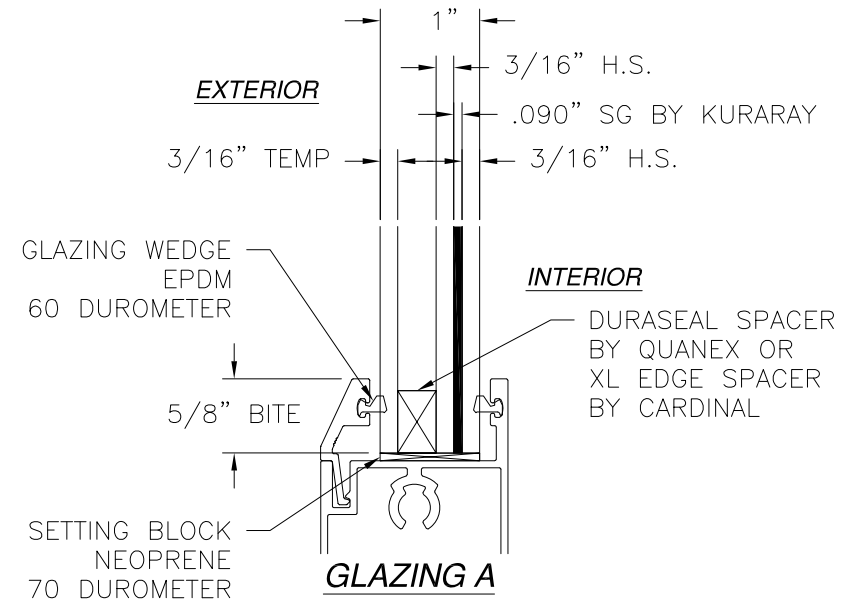
L. ROBERTO LOMAS P.E.  
208 7th Ave, INDIALANTIC, FL 32903  
434-688-0609 rllomas@rlomaspe.com

SIGNED: 01/09/2024




Luis R. Lomas P.E.  
FL No.: 62514

REVISIONS			
REV	DESCRIPTION	DATE	APPROVED



SIGNED: 01/09/2024



EASTERN ARCHITECTURAL SYSTEMS  
 A DIVISION OF  
 EASTERN METAL SUPPLY  
 16341 DOMESTIC AVE  
 FORT MYERS, FL 33912  
 800-432-2204

**SERIES 5000 OUTSWING ALUMINUM DOUBLE FRENCH DOOR – IMPACT GLAZING DETAILS**

DRAWN: A.R.	DWG NO. 08-03959	REV -
SCALE NTS	DATE 09/18/2023	SHEET 8 OF 8

L. ROBERTO LOMAS P.E.  
 208 7th Ave, INDIALANTIC, FL 32903  
 434-688-0609 rllomas@lrlomaspe.com

