

| REVISIONS | | | |
|-----------|-------------|------|----------|
| REV | DESCRIPTION | DATE | APPROVED |

NOTES:

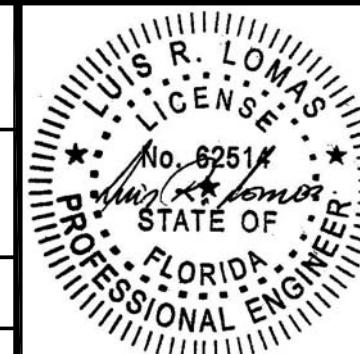
1. THE PRODUCT SHOWN HEREIN IS DESIGNED AND MANUFACTURED TO COMPLY WITH REQUIREMENTS OF THE FLORIDA BUILDING CODE INCLUDING THE HVHZ.
2. WOOD FRAMING AND MASONRY OPENING TO BE DESIGNED AND ANCHORED TO PROPERLY TRANSFER ALL LOADS TO STRUCTURE. FRAMING AND MASONRY OPENING IS THE RESPONSIBILITY OF THE ARCHITECT OR ENGINEER OF RECORD.
3. WHERE SHIM OR BUCK THICKNESS IS LESS THAN 1-1/2" UNITS MUST BE ANCHORED THROUGH THE FRAME IN ACCORDANCE WITH MANUFACTURER'S PUBLISHED INSTALLATION INSTRUCTIONS. ANCHORS SHALL BE SECURELY FASTENED DIRECTLY INTO MASONRY, CONCRETE OR OTHER STRUCTURAL SUBSTRATE MATERIAL.
4. WHERE WOOD BUCK THICKNESS IS 1-1/2" OR GREATER, BUCK SHALL BE SECURELY FASTENED TO MASONRY, CONCRETE OR OTHER STRUCTURAL SUBSTRATE. UNITS MAY BE ANCHORED THROUGH FRAME TO SECURED WOOD BUCK IN ACCORDANCE WITH MANUFACTURER'S PUBLISHED INSTALLATION INSTRUCTIONS.
5. WHERE 1X BUCK IS NOT USED DISSIMILAR MATERIALS MUST BE SEPARATED WITH APPROVED COATING OR MEMBRANE. SELECTION OF COATING OR MEMBRANE IS THE RESPONSIBILITY OF THE ARCHITECT OR ENGINEER OF RECORD.
6. BUCKS SHALL EXTEND BEYOND UNIT FRAME INTERIOR FACE SO THAT FULL FRAME SUPPORT IS PROVIDED.
7. FOR FRAME INSTALLATION SHIM AS REQUIRED AT EACH ANCHOR LOCATION WITH LOAD BEARING SHIM. SHIM WHERE SPACE OF 1/16" OR GREATER OCCURS. MAXIMUM ALLOWABLE SHIM STACK TO BE 1/4".
8. SHIMS SHALL BE LOCATED, APPLIED AND MADE FROM MATERIALS AND THICKNESS CAPABLE OF SUSTAINING APPLICABLE LOADS.
9. WIND LOAD DURATION FACTOR Cd=1.6 WAS USED FOR WOOD ANCHOR CALCULATIONS.
10. FRAME MATERIAL: ALUMINUM 6063-T6.
11. UNITS MUST BE GLAZED PER ASTM E1300, SEE SHEET 7 FOR GLASS DETAILS.
12. APPROVED IMPACT PROTECTIVE SYSTEM IS NOT REQUIRED FOR THIS PRODUCT IN WIND BORNE DEBRIS REGIONS.

13. FOR ANCHORING THROUGH FRAME INTO WOOD FRAMING OR 2X BUCK USE #14 WOOD SCREWS WITH SUFFICIENT LENGTH TO ACHIEVE A 1 7/16" MINIMUM EMBEDMENT INTO SUBSTRATE. LOCATE ANCHORS AS SHOWN IN ELEVATIONS AND INSTALLATION DETAILS.
14. FOR ANCHORING THROUGH FRAME INTO MASONRY/CONCRETE USE 1/4" TAPCONS WITH SUFFICIENT LENGTH TO ACHIEVE A 1 3/4" MINIMUM EMBEDMENT INTO SUBSTRATE WITH 2" MINIMUM EDGE DISTANCE. LOCATE ANCHORS AS SHOWN IN ELEVATIONS AND INSTALLATION DETAILS.
15. FOR ANCHORING THROUGH FRAME INTO METAL STRUCTURE USE #14 SMS OR SELF DRILLING SCREWS WITH SUFFICIENT LENGTH TO ACHIEVE 3 THREADS MINIMUM BEYOND STRUCTURE INTERIOR WALL. LOCATE ANCHORS AS SHOWN IN ELEVATIONS AND INSTALLATION DETAILS.
16. ALL FASTENERS TO BE CORROSION RESISTANT.
17. INSTALLATION ANCHORS SHALL BE INSTALLED IN ACCORDANCE WITH ANCHOR MANUFACTURER'S INSTALLATION INSTRUCTIONS AND ANCHORS SHALL NOT BE USED IN SUBSTRATES WITH STRENGTHS LESS THAN THE MINIMUM STRENGTH SPECIFIED BELOW:
 - 17.A. WOOD: MINIMUM SPECIFIC GRAVITY OF G=0.42
 - 17.B. CONCRETE: MINIMUM COMPRESSIVE STRENGTH OF 2,000 PSI.
 - 17.C. MASONRY: GROUND BLOCK PER ASTM C90 WITH Fm=2,000PSI MINIMUM.
 - 17.D. METAL STRUCTURE: STEEL 18GA (.048") FY=33KSI/FU=52KSI OR ALUMINUM 6063-T5 FU=30KSI 1/8" THICK MINIMUM

SIGNED: 01/02/2024

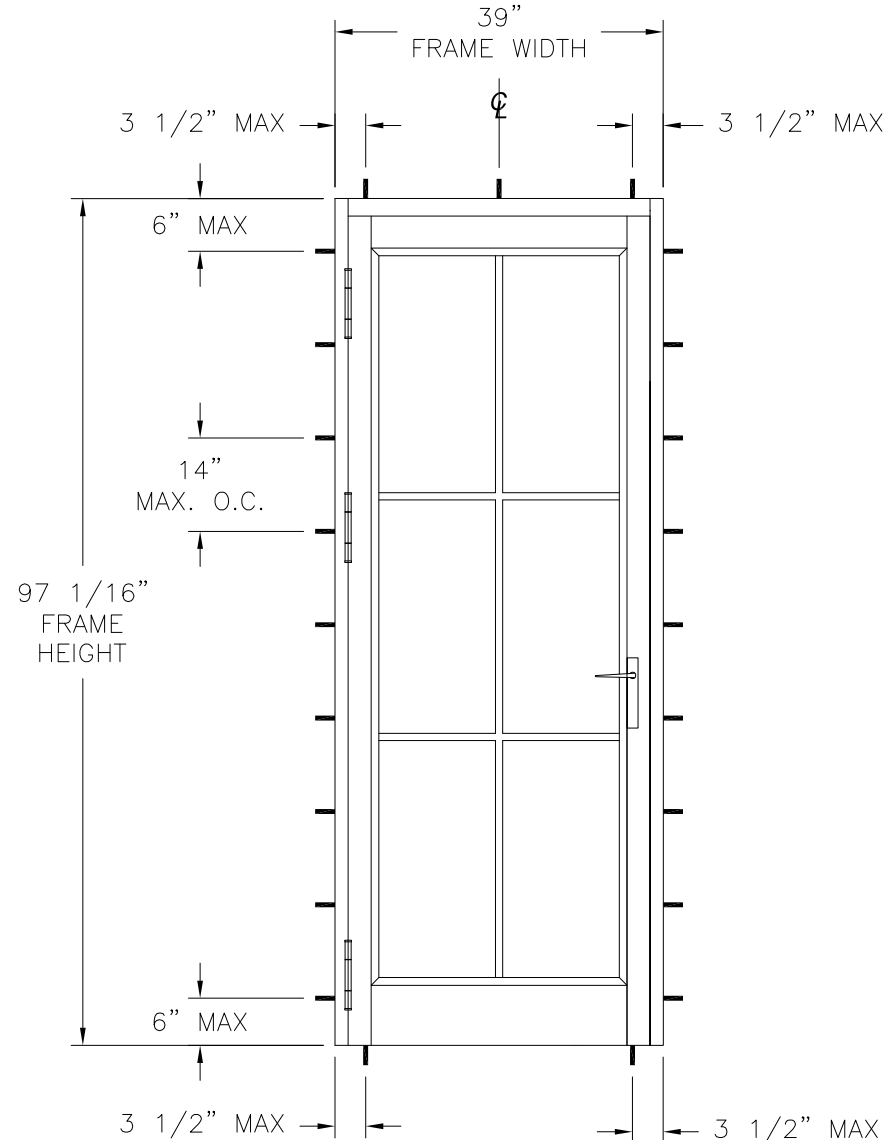
| TABLE OF CONTENTS | |
|-------------------|----------------------|
| SHEET NO. | DESCRIPTION |
| 1 | NOTES |
| 2 | ELEVATION |
| 3 - 5 | INSTALLATION DETAILS |
| 6 | COMPONENTS |
| 7 | GLAZING DETAILS |

| | | | |
|--|------------|--|--|
|  | | EASTERN ARCHITECTURAL SYSTEMS A DIVISION OF EASTERN METAL SUPPLY 16341 DOMESTIC AVE FORT MYERS, FL 33912 800-432-2204 | |
| SERIES 5000 OUTSWING ALUMINUM SINGLE FRENCH DOOR - IMPACT NOTES | | | |
| DRAWN: | DWG NO. | REV | |
| A.R. | 08-03960 | - | |
| SCALE | DATE | SHEET | |
| NTS | 08/04/2023 | 1 OF 7 | |
| L. ROBERTO LOMAS P.E. 208 7th AVENUE, INDIALANTIC, FL 32903 434-688-0609 rllomas@lrlomaspe.com | | | |



Luis R. Lomas P.E.
FL No.: 62514

| REVISIONS | | | |
|-----------|-------------|------|----------|
| REV | DESCRIPTION | DATE | APPROVED |



SERIES 5000 OS SINGLE FRENCH DOOR
EXTERIOR VIEW

WITH GLASS A OR GLASS B AND SILL RISER

| DESIGN PRESSURE RATING | IMPACT RATING |
|------------------------|------------------------------|
| ±100.0PSF | LARGE & SMALL MISSILE IMPACT |

MISSILE LEVEL D, WIND ZONE 4 AND HVHZ
WHEN WATER PENETRATION RESISTANCE IS REQUIRED

WITH GLASS A OR GLASS B WITHOUT SILL RISER

| DESIGN PRESSURE RATING | IMPACT RATING |
|------------------------|------------------------------|
| +30/-100PSF | LARGE & SMALL MISSILE IMPACT |

MISSILE LEVEL D, WIND ZONE 4 AND HVHZ
WHEN WATER PENETRATION RESISTANCE IS REQUIRED

WITH GLASS A OR B WITH OR WITHOUT SILL RISER

| DESIGN PRESSURE RATING | IMPACT RATING |
|------------------------|------------------------------|
| ±100.0PSF | LARGE & SMALL MISSILE IMPACT |

MISSILE LEVEL D, WIND ZONE 4 AND HVHZ
WHEN WATER PENETRATION RESISTANCE IS NOT REQUIRED

WITH GLASS C OR D AND SILL RISER

| DESIGN PRESSURE RATING | IMPACT RATING |
|------------------------|------------------------------|
| ±85.0PSF | LARGE & SMALL MISSILE IMPACT |

MISSILE LEVEL D, WIND ZONE 4 AND HVHZ
WHEN WATER PENETRATION RESISTANCE IS REQUIRED

WITH GLASS C OR D WITHOUT SILL RISER

| DESIGN PRESSURE RATING | IMPACT RATING |
|------------------------|------------------------------|
| +30.0/-85.0PSF | LARGE & SMALL MISSILE IMPACT |

MISSILE LEVEL D, WIND ZONE 4 AND HVHZ
WHEN WATER PENETRATION RESISTANCE IS REQUIRED

WITH GLASS C OR D WITH OR WITHOUT SILL RISER

| DESIGN PRESSURE RATING | IMPACT RATING |
|------------------------|------------------------------|
| ±85.0PSF | LARGE & SMALL MISSILE IMPACT |

MISSILE LEVEL D, WIND ZONE 4 AND HVHZ
WHEN WATER PENETRATION RESISTANCE IS NOT REQUIRED

WITH GLASS E OR F AND SILL RISER

| DESIGN PRESSURE RATING | IMPACT RATING |
|------------------------|------------------------------|
| ±60.0PSF | LARGE & SMALL MISSILE IMPACT |

MISSILE LEVEL D, WIND ZONE 4 AND HVHZ
WHEN WATER PENETRATION RESISTANCE IS REQUIRED

WITH GLASS E OR F WITHOUT SILL RISER

| DESIGN PRESSURE RATING | IMPACT RATING |
|------------------------|------------------------------|
| +30.0/-60.0PSF | LARGE & SMALL MISSILE IMPACT |

MISSILE LEVEL D, WIND ZONE 4 AND HVHZ
WHEN WATER PENETRATION RESISTANCE IS REQUIRED

WITH GLASS E OR F WITH OR WITHOUT SILL RISER

| DESIGN PRESSURE RATING | IMPACT RATING |
|------------------------|------------------------------|
| ±60.0PSF | LARGE & SMALL MISSILE IMPACT |

MISSILE LEVEL D, WIND ZONE 4 AND HVHZ
WHEN WATER PENETRATION RESISTANCE IS NOT REQUIRED

- NOTES:**
- PANEL SIZE: 34" X 94 1/32"
 - D.L.O. SIZE: 27 1/4" X 86 9/32"
 - HINGES AT: 8", 33 1/2" & 84 1/2" MEASURING FROM TOP TO BOTTOM OF THE DOOR

| HARDWARE SCHEDULE | |
|-------------------|---|
| A. | (3) BUTT HINGES AT EACH PANEL HINGE STILE |
| B. | (3) STEEL HINGE BACKER PLATES AT FRAME HINGE JAMB AND PANEL JAMB STILE |
| C. | STEEL INTERLOCK MULTIPOINT LOCK WITH SHOOT BOLTS TOP AND BOTTOM AT PANEL LOCK STILE |
| D. | PLASTIC SHOOT BOLT GUIDES AT THE TOP AND BOTTOM OF LOCK STILE |



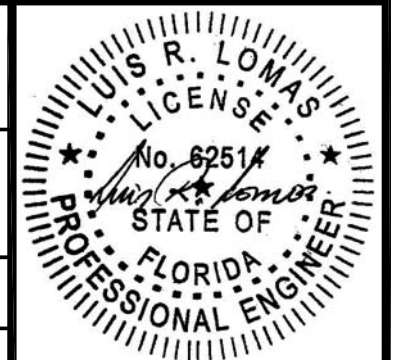
EASTERN ARCHITECTURAL SYSTEMS
 A DIVISION OF
 EASTERN METAL SUPPLY
 16341 DOMESTIC AVE
 FORT MYERS, FL 33912
 800-432-2204

SERIES 5000 OUTSWING ALUMINUM SINGLE FRENCH DOOR – IMPACT ELEVATION AND GLAZING DETAILS

| | | |
|----------------|---------------------|-----------------|
| DRAWN: A.R. | DWG NO. 08-03960 | REV - |
| SCALE NTS | DATE 08/04/2023 | SHEET 2 OF 7 |

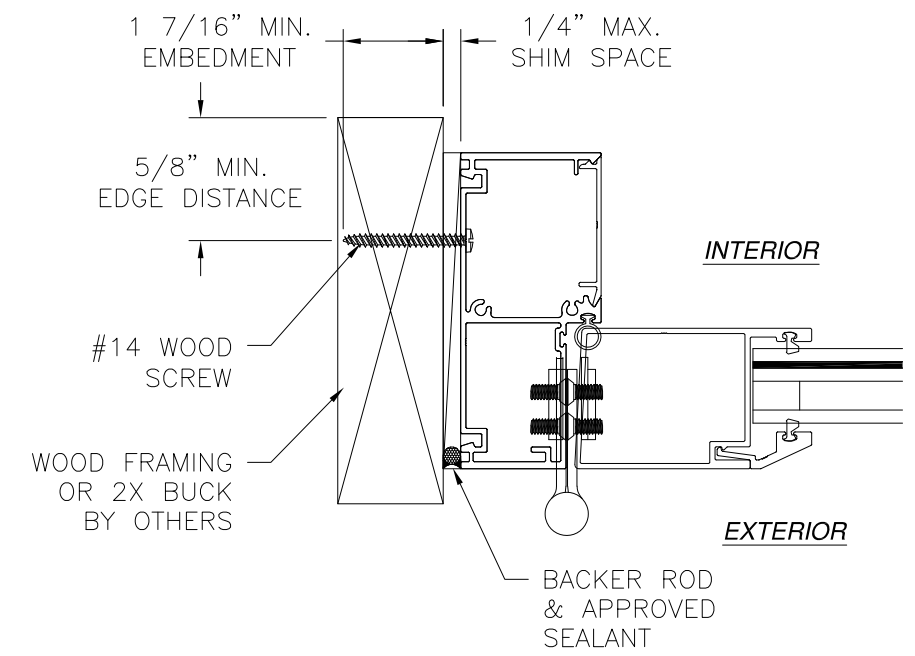
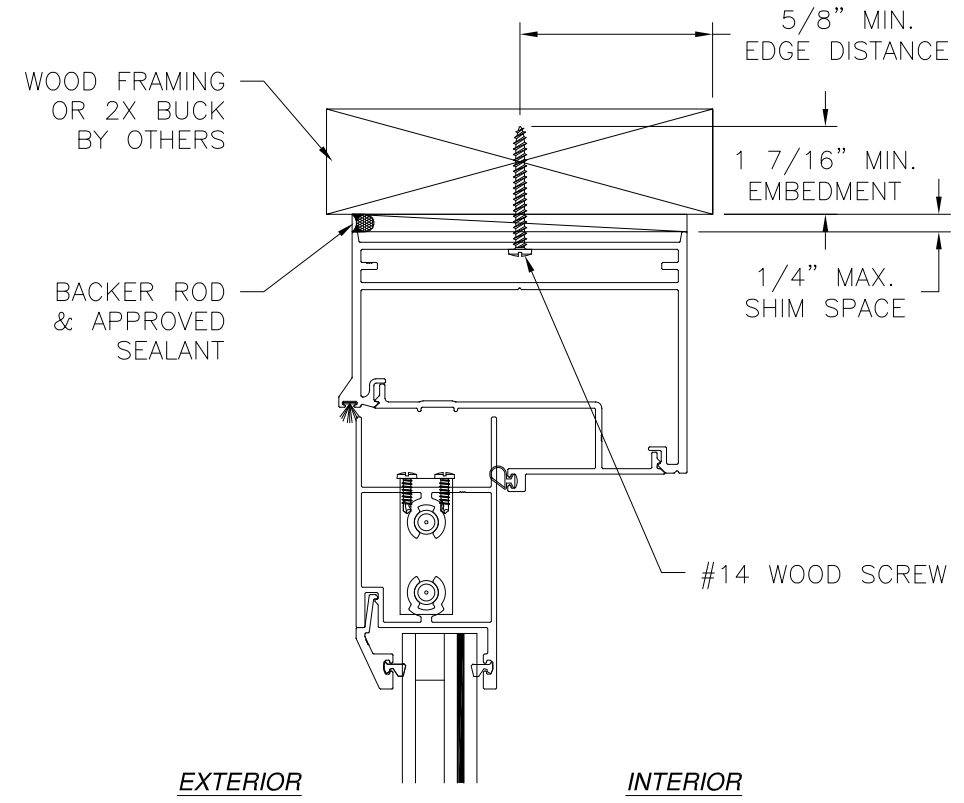
L. ROBERTO LOMAS P.E.
 208 7th AVENUE, INDIALANTIC, FL 32903
 434-688-0609 rllomas@rlomaspe.com

SIGNED: 01/02/2024

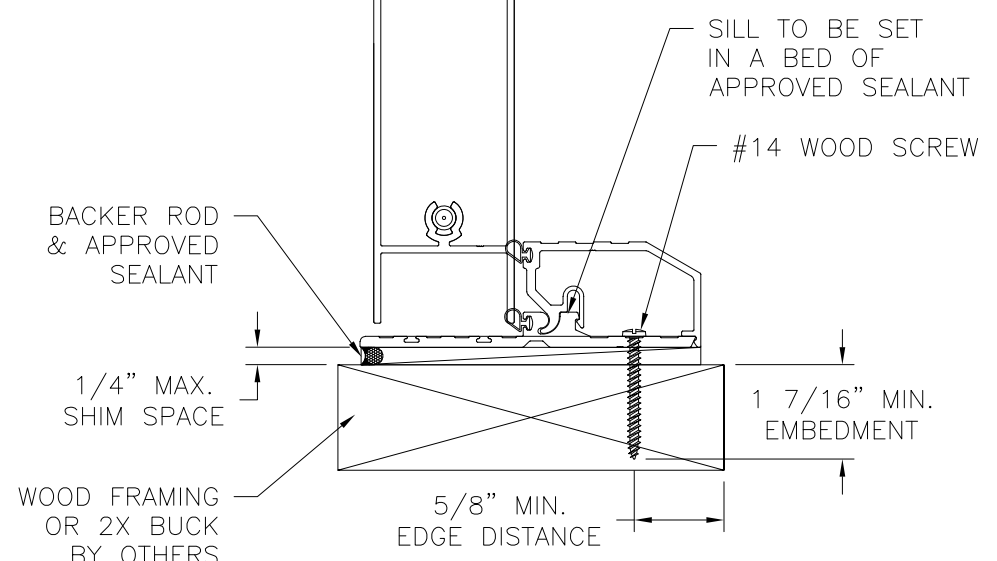


Luis R. Lomas P.E.
FL No.: 62514

| REVISIONS | | | |
|-----------|-------------|------|----------|
| REV | DESCRIPTION | DATE | APPROVED |
| | | | |



JAMB INSTALLATION DETAIL
WOOD FRAMING OR 2X BUCK INSTALLATION



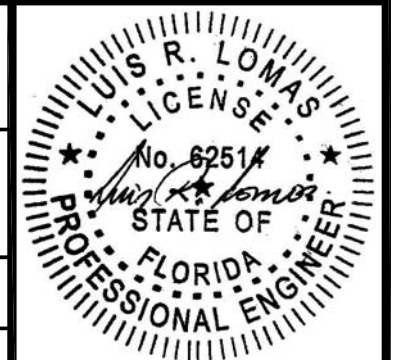
VERTICAL CROSS SECTION
WOOD FRAMING OR 2X BUCK INSTALLATION

NOTES:

1. INTERIOR AND EXTERIOR FINISHES, BY OTHERS, NOT SHOWN FOR CLARITY.
2. PERIMETER AND JOINT SEALANT BY OTHERS TO BE DESIGNED IN ACCORDANCE WITH ASTM E2112

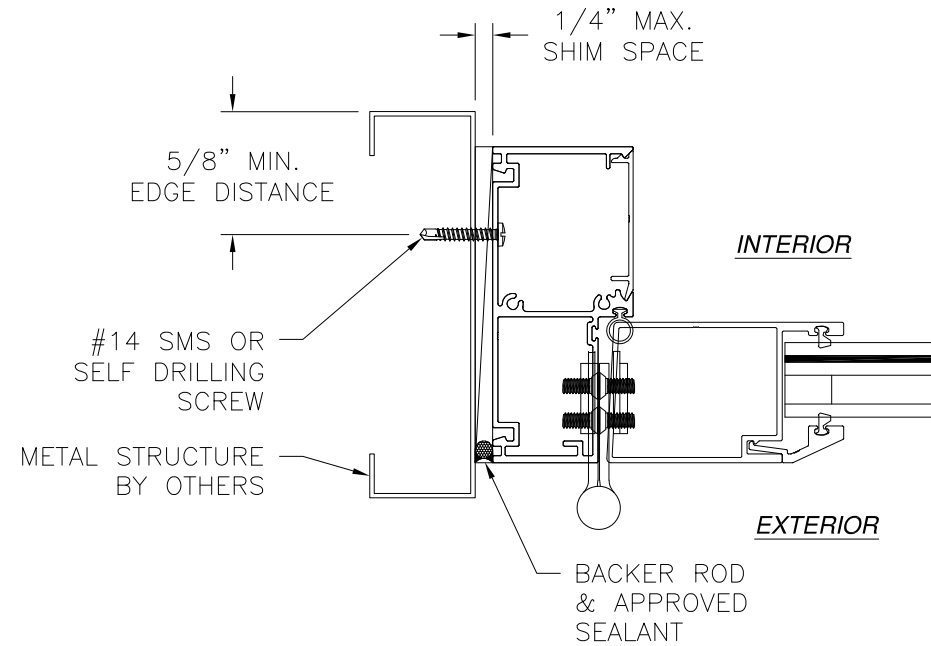
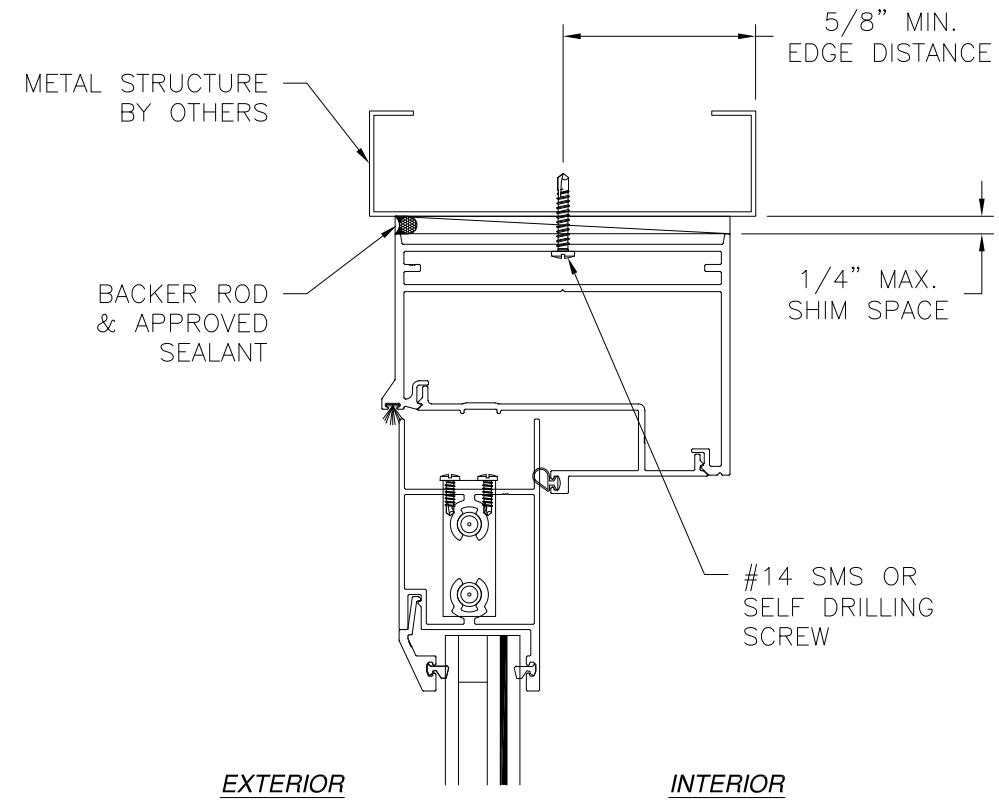
SIGNED: 01/02/2024

| | | | |
|--|---------------------|--|--|
|  | | EASTERN ARCHITECTURAL SYSTEMS A DIVISION OF EASTERN METAL SUPPLY 16341 DOMESTIC AVE FORT MYERS, FL 33912 800-432-2204 | |
| SERIES 5000 OUTSWING ALUMINUM SINGLE FRENCH DOOR – IMPACT INSTALLATION DETAILS | | | |
| DRAWN: A.R. | DWG NO. 08-03960 | REV - | |
| SCALE NTS | DATE 08/04/2023 | SHEET 3 OF 7 | |
| L. ROBERTO LOMAS P.E. 208 7th AVENUE, INDIALANTIC, FL 32903 434-688-0609 rllomas@lrlomaspe.com | | | |

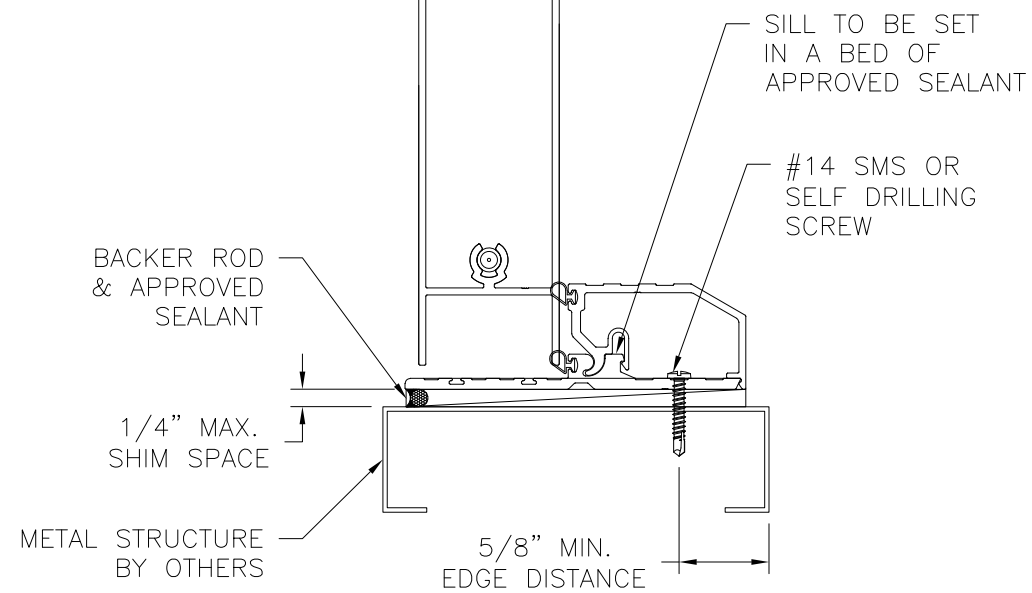


Luis R. Lomas P.E.
FL No.: 62514

| REVISIONS | | | |
|-----------|-------------|------|----------|
| REV | DESCRIPTION | DATE | APPROVED |
| | | | |



JAMB INSTALLATION DETAIL
METAL STRUCTURE INSTALLATION



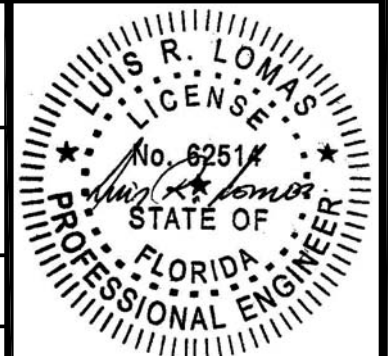
VERTICAL CROSS SECTION
METAL STRUCTURE INSTALLATION

NOTES:

1. INTERIOR AND EXTERIOR FINISHES, BY OTHERS, NOT SHOWN FOR CLARITY.
2. PERIMETER AND JOINT SEALANT BY OTHERS TO BE DESIGNED IN ACCORDANCE WITH ASTM E2112

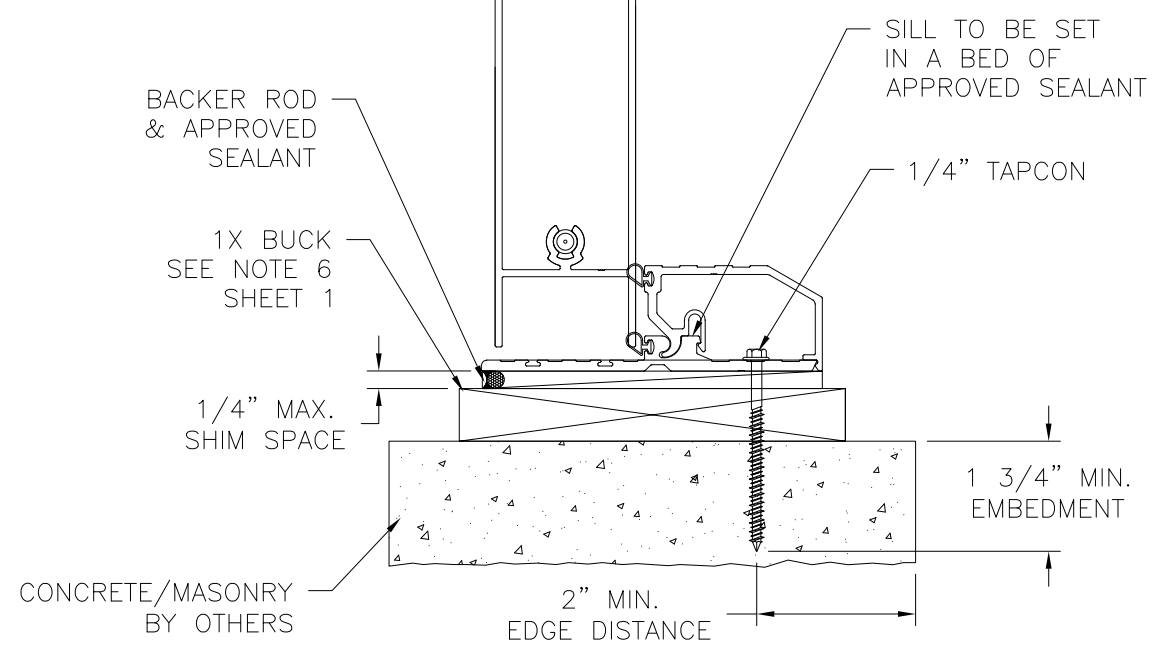
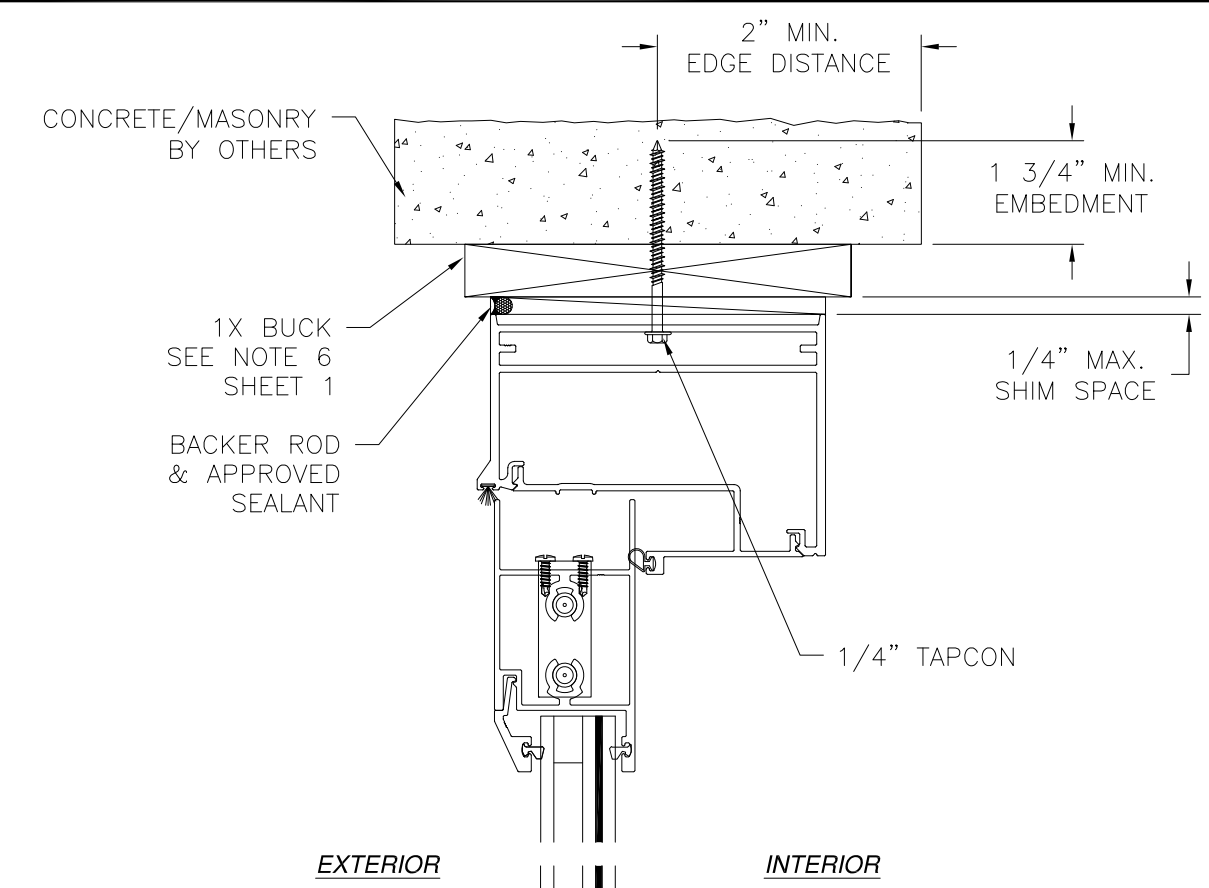
SIGNED: 01/02/2024

| | | | |
|---|---------------------|--|--|
|  | | EASTERN ARCHITECTURAL SYSTEMS A DIVISION OF EASTERN METAL SUPPLY 16341 DOMESTIC AVE FORT MYERS, FL 33912 800-432-2204 | |
| SERIES 5000 OUTSWING ALUMINUM SINGLE FRENCH DOOR – IMPACT INSTALLATION DETAILS | | | |
| DRAWN: A.R. | DWG NO. 08-03960 | REV - | |
| SCALE NTS | DATE 08/04/2023 | SHEET 4 OF 7 | |
| L. ROBERTO LOMAS P.E. 208 7th AVENUE, INDIALANTIC, FL 32903 434-688-0609 rllomas@rlomaspe.com | | | |

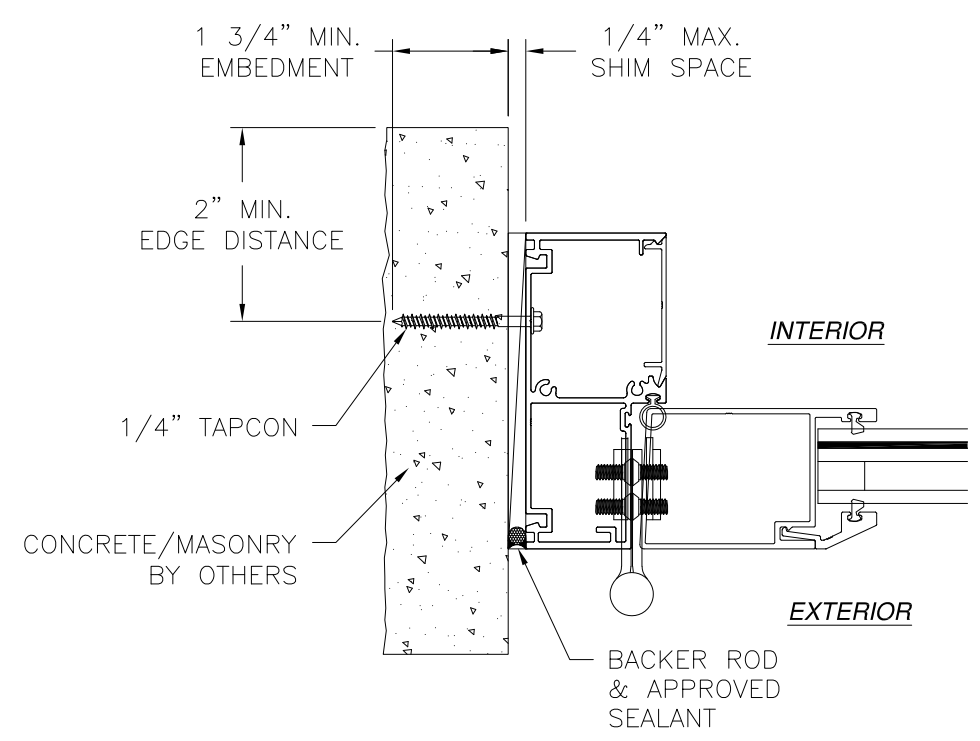


Luis R. Lomas P.E.
FL No.: 62514

| REVISIONS | | | |
|-----------|-------------|------|----------|
| REV | DESCRIPTION | DATE | APPROVED |
| | | | |



VERTICAL CROSS SECTION
CONCRETE/MASONRY WITH 1X BUCK INSTALLATION
FOR CONCRETE/MASONRY WITHOUT 1X BUCK REFER TO
JAMB INSTALLATION DETAIL

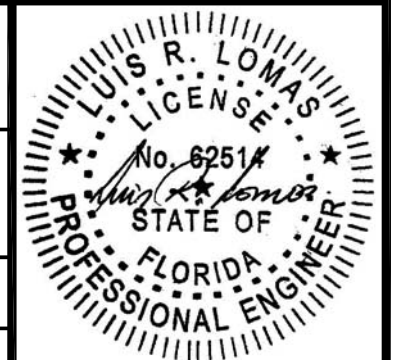


JAMB INSTALLATION DETAIL
CONCRETE/MASONRY WITHOUT 1X BUCK INSTALLATION
FOR CONCRETE/MASONRY INSTALLATION WITH 1X BUCK REFER TO
HEAD AND SILL INSTALLATION DETAILS

- NOTES:**
1. INTERIOR AND EXTERIOR FINISHES, BY OTHERS, NOT SHOWN FOR CLARITY.
 2. PERIMETER AND JOINT SEALANT BY OTHERS TO BE DESIGNED IN ACCORDANCE WITH ASTM E2112

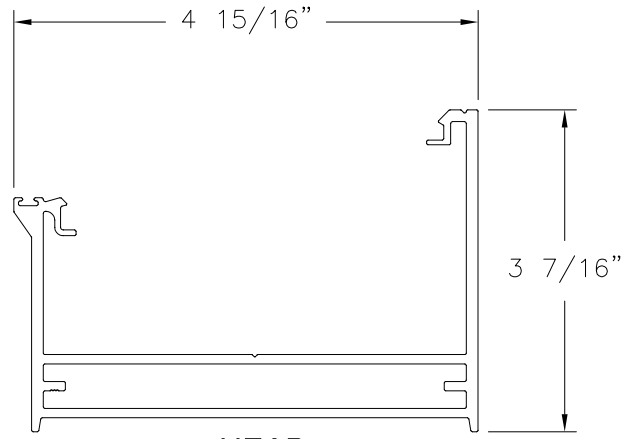
SIGNED: 01/02/2024

| | | | |
|---|---------------------|--|--|
|  | | EASTERN ARCHITECTURAL SYSTEMS A DIVISION OF EASTERN METAL SUPPLY 16341 DOMESTIC AVE FORT MYERS, FL 33912 800-432-2204 | |
| SERIES 5000 OUTSWING ALUMINUM SINGLE FRENCH DOOR – IMPACT INSTALLATION DETAILS | | | |
| DRAWN: A.R. | DWG NO. 08-03960 | REV - | |
| SCALE NTS | DATE 08/04/2023 | SHEET 5 OF 7 | |
| L. ROBERTO LOMAS P.E. 208 7th AVENUE, INDIALANTIC, FL 32903 434-688-0609 rllomas@lrlomaspe.com | | | |

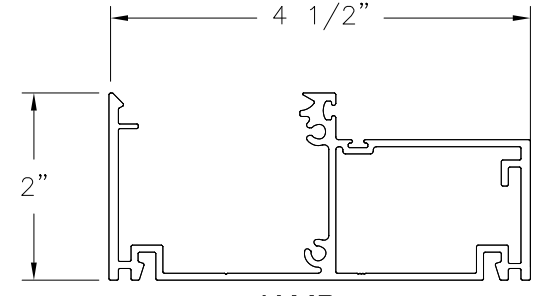


Luis R. Lomas P.E.
 FL No.: 62514

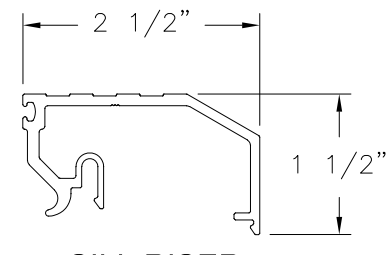
| REVISIONS | | | |
|-----------|-------------|------|----------|
| REV | DESCRIPTION | DATE | APPROVED |
| | | | |



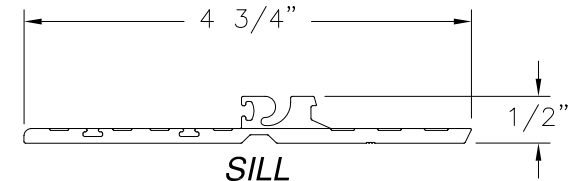
HEAD
ALUMINUM 6063-T6



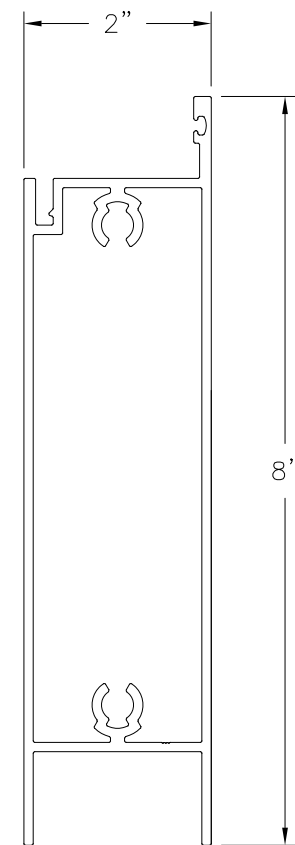
JAMB
ALUMINUM 6063-T6



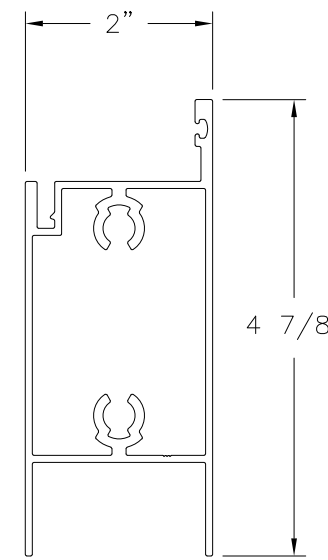
SILL RISER
ALUMINUM 6063-T6



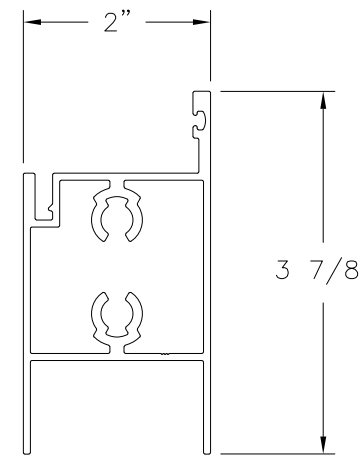
SILL
ALUMINUM 6063-T6



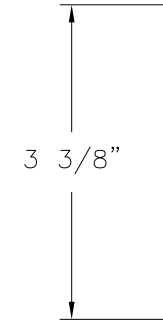
8" BOTTOM RAIL
ALUMINUM 6063-T6



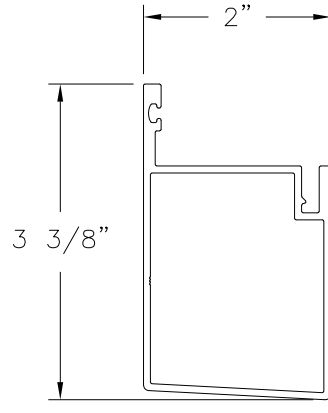
**REGULAR
BOTTOM RAIL**
ALUMINUM 6063-T6



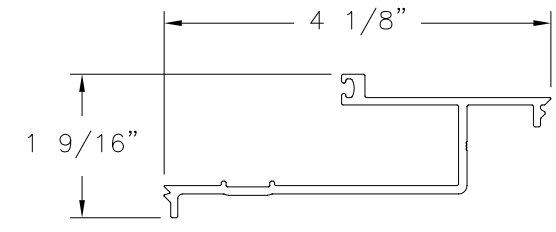
TOP RAIL
ALUMINUM 6063-T6



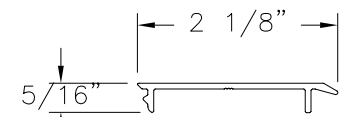
LOCK STILE
ALUMINUM 6063-T6



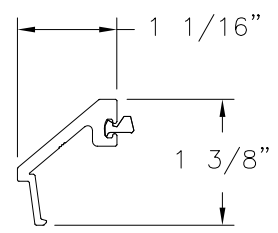
HINGE STILE
ALUMINUM 6063-T6



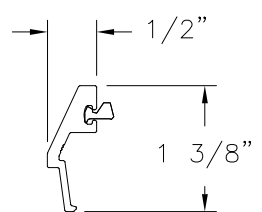
HEAD INSERT
ALUMINUM 6063-T6



JAMB COVER
ALUMINUM 6063-T6



GLAZING BEAD
ALUMINUM 6063-T6



GLAZING BEAD
ALUMINUM 6063-T6

Eastern
ARCHITECTURAL SYSTEMS
ALUMINUM AND VINYL
IMPACT WINDOWS AND DOORS

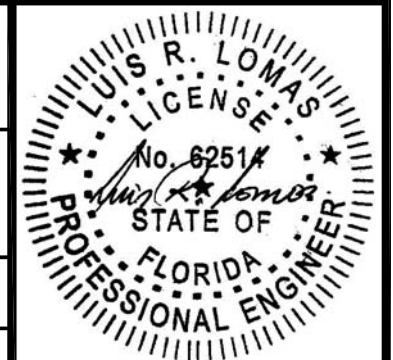
EASTERN ARCHITECTURAL SYSTEMS
A DIVISION OF
EASTERN METAL SUPPLY
16341 DOMESTIC AVE
FORT MYERS, FL 33912
800-432-2204

SERIES 5000 OUTSWING ALUMINUM
SINGLE FRENCH DOOR – IMPACT
COMPONENTS

| | | |
|----------------|---------------------|-----------------|
| DRAWN: A.R. | DWG NO. 08-03960 | REV - |
| SCALE NTS | DATE 08/04/2023 | SHEET 6 OF 7 |

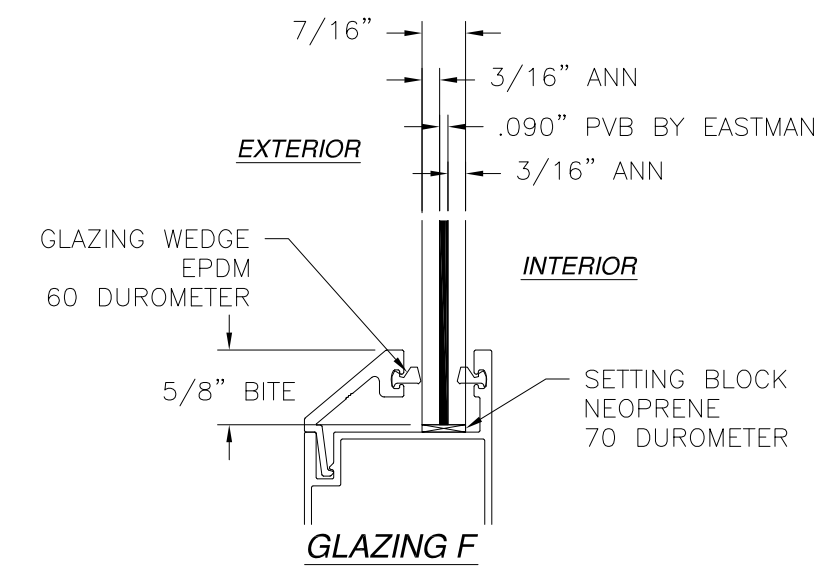
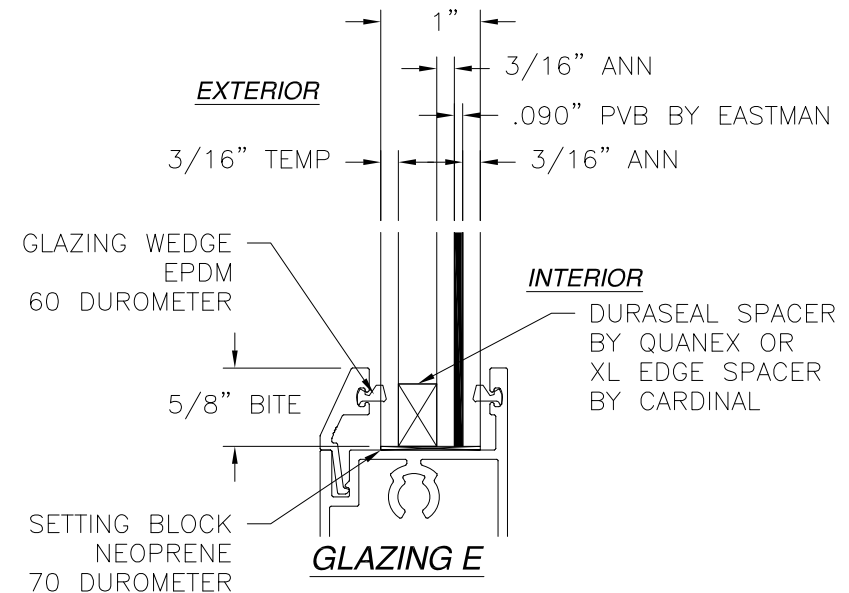
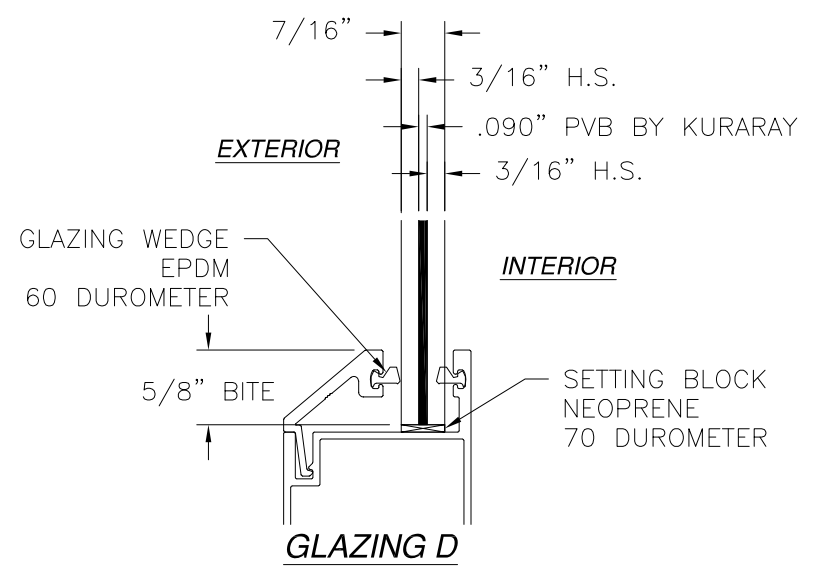
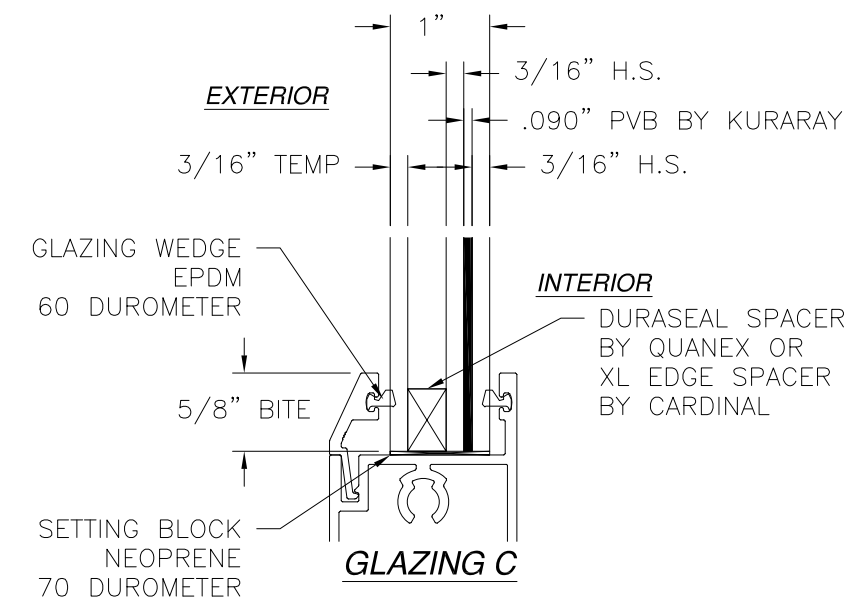
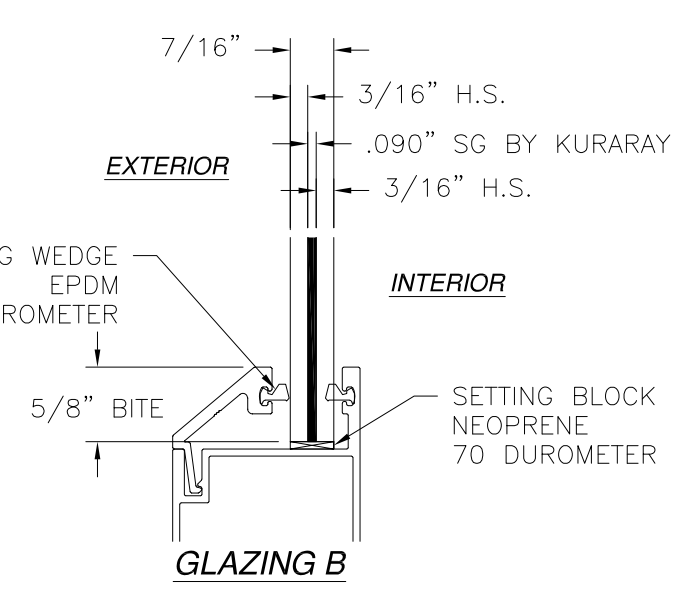
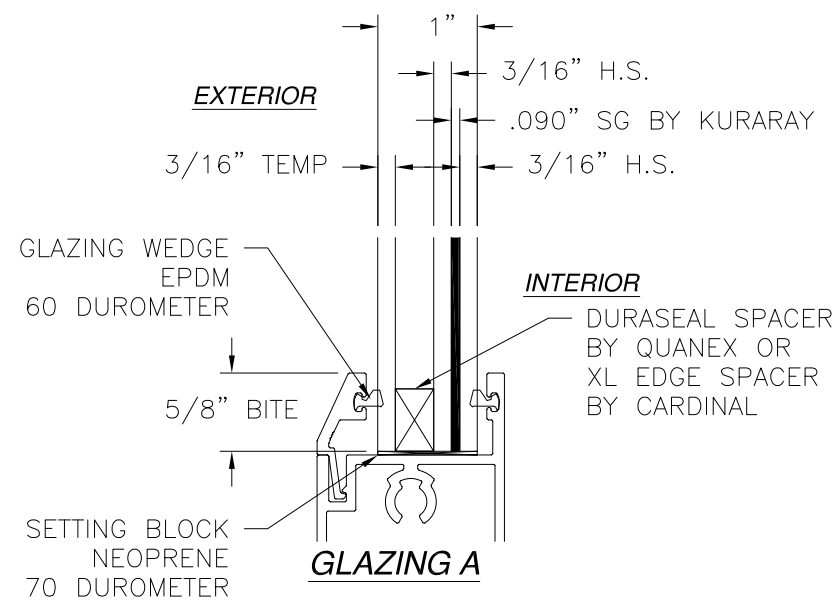
L. ROBERTO LOMAS P.E.
208 7th AVENUE, INDIALANTIC, FL 32903
434-688-0609 rllomas@rlomaspe.com

SIGNED: 01/02/2024




Luis R. Lomas P.E.
FL No.: 62514

| REVISIONS | | | |
|-----------|-------------|------|----------|
| REV | DESCRIPTION | DATE | APPROVED |
| | | | |



SIGNED: 01/02/2024

| | | |
|--|---------------------|--|
|  | | EASTERN ARCHITECTURAL SYSTEMS A DIVISION OF EASTERN METAL SUPPLY 16341 DOMESTIC AVE FORT MYERS, FL 33912 800-432-2204 |
| SERIES 5000 OUTSWING ALUMINUM SINGLE FRENCH DOOR – IMPACT GLAZING DETAILS | | |
| DRAWN: A.R. | DWG NO. 08-03960 | REV - |
| SCALE NTS | DATE 08/04/2023 | SHEET 7 OF 7 |
| L. ROBERTO LOMAS P.E. 208 7th AVENUE, INDIALANTIC, FL 32903 434-688-0609 rllomas@lrlomaspe.com | | |



Luis R. Lomas P.E.
FL No.: 62514