

| REVISIONS | | | |
|-----------|-------------|------|----------|
| REV | DESCRIPTION | DATE | APPROVED |


NOTES:

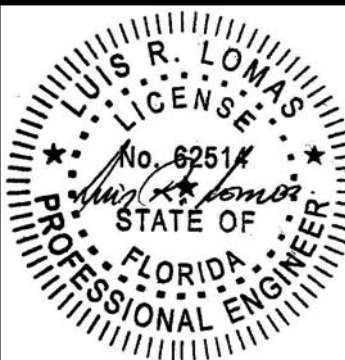
1. THE PRODUCT SHOWN HEREIN IS DESIGNED AND MANUFACTURED TO COMPLY WITH REQUIREMENTS OF THE FLORIDA BUILDING CODE INCLUDING THE HVHZ.
2. WOOD FRAMING, METAL STRUCTURE AND MASONRY OPENING TO BE DESIGNED AND ANCHORED TO PROPERLY TRANSFER ALL LOADS TO STRUCTURE. FRAMING AND MASONRY OPENING IS THE RESPONSIBILITY OF THE ARCHITECT OR ENGINEER OF RECORD.
3. WHERE SHIM OR BUCK THICKNESS IS LESS THAN 1-1/2" UNITS MUST BE ANCHORED THROUGH THE FRAME IN ACCORDANCE WITH MANUFACTURER'S PUBLISHED INSTALLATION INSTRUCTIONS. ANCHORS SHALL BE SECURELY FASTENED DIRECTLY INTO MASONRY, CONCRETE OR OTHER STRUCTURAL SUBSTRATE MATERIAL.
4. WHERE WOOD BUCK THICKNESS IS 1-1/2" OR GREATER, BUCK SHALL BE SECURELY FASTENED TO MASONRY, CONCRETE OR OTHER STRUCTURAL SUBSTRATE. UNITS MAY BE ANCHORED THROUGH FRAME TO SECURED WOOD BUCK IN ACCORDANCE WITH MANUFACTURER'S PUBLISHED INSTALLATION INSTRUCTIONS.
5. WHERE 1X BUCK IS NOT USED DISSIMILAR MATERIALS MUST BE SEPARATED WITH APPROVED COATING OR MEMBRANE. SELECTION OF COATING OR MEMBRANE IS THE RESPONSIBILITY OF THE ARCHITECT OR ENGINEER OF RECORD.
6. BUCKS SHALL EXTEND BEYOND UNIT FRAME INTERIOR FACE SO THAT FULL FRAME SUPPORT IS PROVIDED.
7. SHIM AS REQUIRED AT EACH ANCHOR LOCATION WITH LOAD BEARING SHIM. SHIM WHERE SPACE OF 1/16" OR GREATER OCCURS. MAXIMUM ALLOWABLE SHIM STACK TO BE 1/4".
8. SHIMS SHALL BE LOCATED, APPLIED AND MADE FROM MATERIALS AND THICKNESS CAPABLE OF SUSTAINING APPLICABLE LOADS.
9. WIND LOAD DURATION FACTOR Cd=1.6 WAS USED FOR WOOD ANCHOR CALCULATIONS.
10. FRAME MATERIAL: ALUMINUM 6063-T6.
11. UNITS MUST BE GLAZED PER ASTM E1300, SEE SHEET 8 FOR GLASS DETAILS.
12. APPROVED IMPACT PROTECTIVE SYSTEM IS NOT REQUIRED FOR THIS PRODUCT IN WIND BORNE DEBRIS REGIONS.

13. FOR ANCHORING THROUGH FRAME INTO WOOD FRAMING OR 2X BUCK USE #14 WOOD SCREWS WITH SUFFICIENT LENGTH TO ACHIEVE A 1 7/16" MINIMUM EMBEDMENT INTO SUBSTRATE. LOCATE ANCHORS AS SHOWN IN ELEVATIONS AND INSTALLATION DETAILS.
14. FOR ANCHORING THROUGH FRAME INTO MASONRY/CONCRETE USE 1/4" TAPCONS WITH SUFFICIENT LENGTH TO ACHIEVE A 1 3/4" MINIMUM EMBEDMENT INTO SUBSTRATE WITH 2" MINIMUM EDGE DISTANCE. LOCATE ANCHORS AS SHOWN IN ELEVATIONS AND INSTALLATION DETAILS.
15. FOR ANCHORING THROUGH FRAME INTO METAL STRUCTURE USE #14 SMS OR SELF DRILLING SCREWS WITH SUFFICIENT LENGTH TO ACHIEVE 3 THREADS MINIMUM BEYOND STRUCTURE INTERIOR WALL. LOCATE ANCHORS AS SHOWN IN ELEVATIONS AND INSTALLATION DETAILS.
16. ALL FASTENERS TO BE CORROSION RESISTANT.
17. INSTALLATION ANCHORS SHALL BE INSTALLED IN ACCORDANCE WITH ANCHOR MANUFACTURER'S INSTALLATION INSTRUCTIONS AND ANCHORS SHALL NOT BE USED IN SUBSTRATES WITH STRENGTHS LESS THAN THE MINIMUM STRENGTH SPECIFIED BELOW:
 - 17.A. WOOD: MINIMUM SPECIFIC GRAVITY OF G=0.42
 - 17.B. CONCRETE: MINIMUM COMPRESSIVE STRENGTH OF 2,000 PSI.
 - 17.C. MASONRY: GROUND BLOCK PER ASTM C90 WITH Fm=2,000PSI MINIMUM.
 - 17.D. METAL STRUCTURE: STEEL 18GA (.048") FY=33KSI/FU=52KSI OR ALUMINUM 6063-T5 FU=30KSI 1/8" THICK MINIMUM
18. APPROVED CONFIGURATIONS: OXO/O, OXO, OX, XO, OX/O, XO/O

SIGNED: 11/14/2023

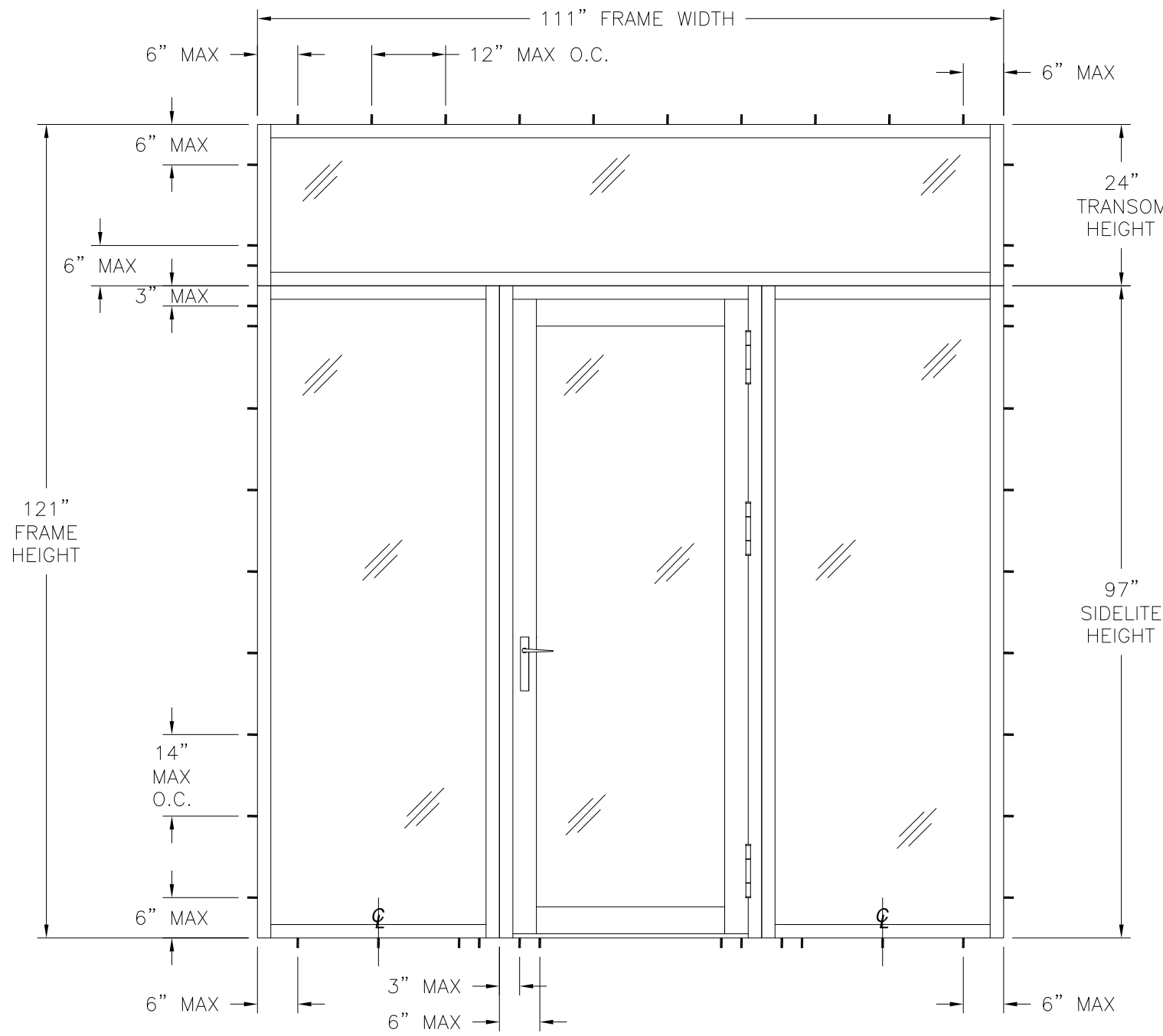
| TABLE OF CONTENTS | |
|-------------------|----------------------|
| SHEET NO. | DESCRIPTION |
| 1 | NOTES |
| 2 | ELEVATION |
| 3 | CROSS SECTIONS |
| 4 - 7 | INSTALLATION DETAILS |
| 7 | COMPONENTS |
| 8 | GLAZING DETAILS |

| | | | |
|--|--|--|-------|
|  | | EASTERN ARCHITECTURAL SYSTEMS A DIVISION OF EASTERN METAL SUPPLY 16341 DOMESTIC AVE FORT MYERS, FL 33912 800-432-2204 | |
| SERIES 5000 OUTSWING SINGLE W/SIDELITES AND TRANSOM ALUMINUM FRENCH DOOR - IMPACT NOTES | | | |
| DRAWN: A.R. | | DWG NO. 08-03976 | |
| SCALE NTS | | DATE 09/26/2023 | REV - |
| | | SHEET 1 OF 8 | |
| L. ROBERTO LOMAS P.E. 208 7th AVENUE, INDIALANTIC, FL 32903 434-688-0609 rllomas@lrlomaspe.com | | | |



Luis R. Lomas P.E.
FL No.: 62514

| REVISIONS | | | |
|-----------|-------------|------|----------|
| REV | DESCRIPTION | DATE | APPROVED |
| | | | |



- NOTES:**
- PANEL SIZE: 35 3/4" X 94 1/32"
 - PANEL D.L.O.: 29" X 85 1/4"
 - SIDELITES D.L.O.: 32 1/4" X 93 1/4"
 - TRANSOM D.L.O.: 107 1/4" X 20 3/8"
 - HINGES AT: 8", 33 1/2" & 84 1/2" MEASURING FROM TOP TO BOTTOM OF THE DOOR

WITH GLASS A, B, C OR D AND SILL RISER

| DESIGN PRESSURE RATING | IMPACT RATING |
|------------------------|------------------------------|
| ±80.0PSF | LARGE & SMALL MISSILE IMPACT |

MISSILE LEVEL D, WIND ZONE 4 AND HVHZ
WHEN WATER PENETRATION RESISTANCE IS REQUIRED

WITH GLASS E OR F AND SILL RISER

| DESIGN PRESSURE RATING | IMPACT RATING |
|------------------------|------------------------------|
| ±60.0PSF | LARGE & SMALL MISSILE IMPACT |

MISSILE LEVEL D, WIND ZONE 4 AND HVHZ
WHEN WATER PENETRATION RESISTANCE IS REQUIRED

WITH GLASS A, B, C OR D WITHOUT SILL RISER

| DESIGN PRESSURE RATING | IMPACT RATING |
|------------------------|------------------------------|
| +30.0/-80.0PSF | LARGE & SMALL MISSILE IMPACT |

MISSILE LEVEL D, WIND ZONE 4 AND HVHZ
WHEN WATER PENETRATION RESISTANCE IS REQUIRED

WITH GLASS E OR F WITHOUT SILL RISER

| DESIGN PRESSURE RATING | IMPACT RATING |
|------------------------|------------------------------|
| +30.0/-60.0PSF | LARGE & SMALL MISSILE IMPACT |

MISSILE LEVEL D, WIND ZONE 4 AND HVHZ
WHEN WATER PENETRATION RESISTANCE IS REQUIRED

WITH GLASS A, B, C OR D WITH OR WITHOUT SILL RISER

| DESIGN PRESSURE RATING | IMPACT RATING |
|------------------------|------------------------------|
| ±80.0PSF | LARGE & SMALL MISSILE IMPACT |

MISSILE LEVEL D, WIND ZONE 4 AND HVHZ
WHEN WATER PENETRATION RESISTANCE IS NOT REQUIRED

WITH GLASS E OR F WITH OR WITHOUT SILL RISER

| DESIGN PRESSURE RATING | IMPACT RATING |
|------------------------|------------------------------|
| ±60.0PSF | LARGE & SMALL MISSILE IMPACT |

MISSILE LEVEL D, WIND ZONE 4 AND HVHZ
WHEN WATER PENETRATION RESISTANCE IS NOT REQUIRED

**SERIES 5000 OS SINGLE W/SIDELITES AND TRANSOM
ALUMINUM FRENCH DOOR
EXTERIOR VIEW**

SIGNED: 11/14/2023



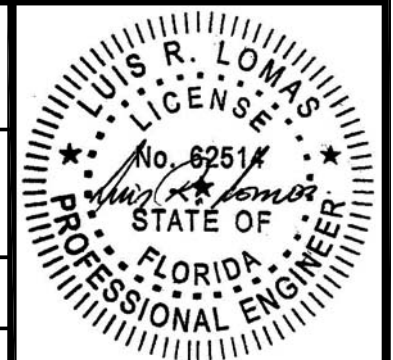
Eastern
ARCHITECTURAL SYSTEMS
ALUMINUM AND VINYL
IMPACT WINDOWS AND DOORS

EASTERN ARCHITECTURAL SYSTEMS
A DIVISION OF
EASTERN METAL SUPPLY
16341 DOMESTIC AVE
FORT MYERS, FL 33912
800-432-2204

SERIES 5000 OUTSWING SINGLE W/SIDELITES
AND TRANSOM ALUMINUM FRENCH DOOR – IMPACT
ELEVATION AND GLAZING DETAILS

| | | |
|----------------|---------------------|--------------|
| DRAWN: A.R. | DWG NO. 08-03976 | REV - |
| SCALE NTS | DATE 09/26/2023 | SHEET 2 OF 8 |

L. ROBERTO LOMAS P.E.
208 7th AVENUE, INDIALANTIC, FL 32903
434-688-0609 rllomas@rlomaspe.com

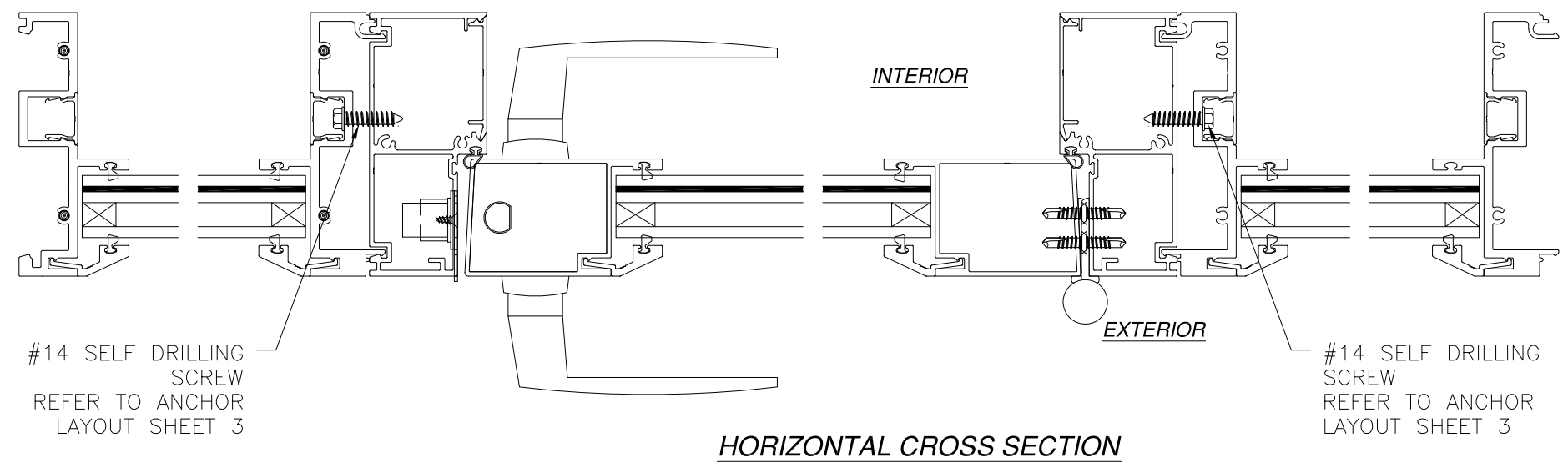


Luis R. Lomas P.E.
FL No.: 62514

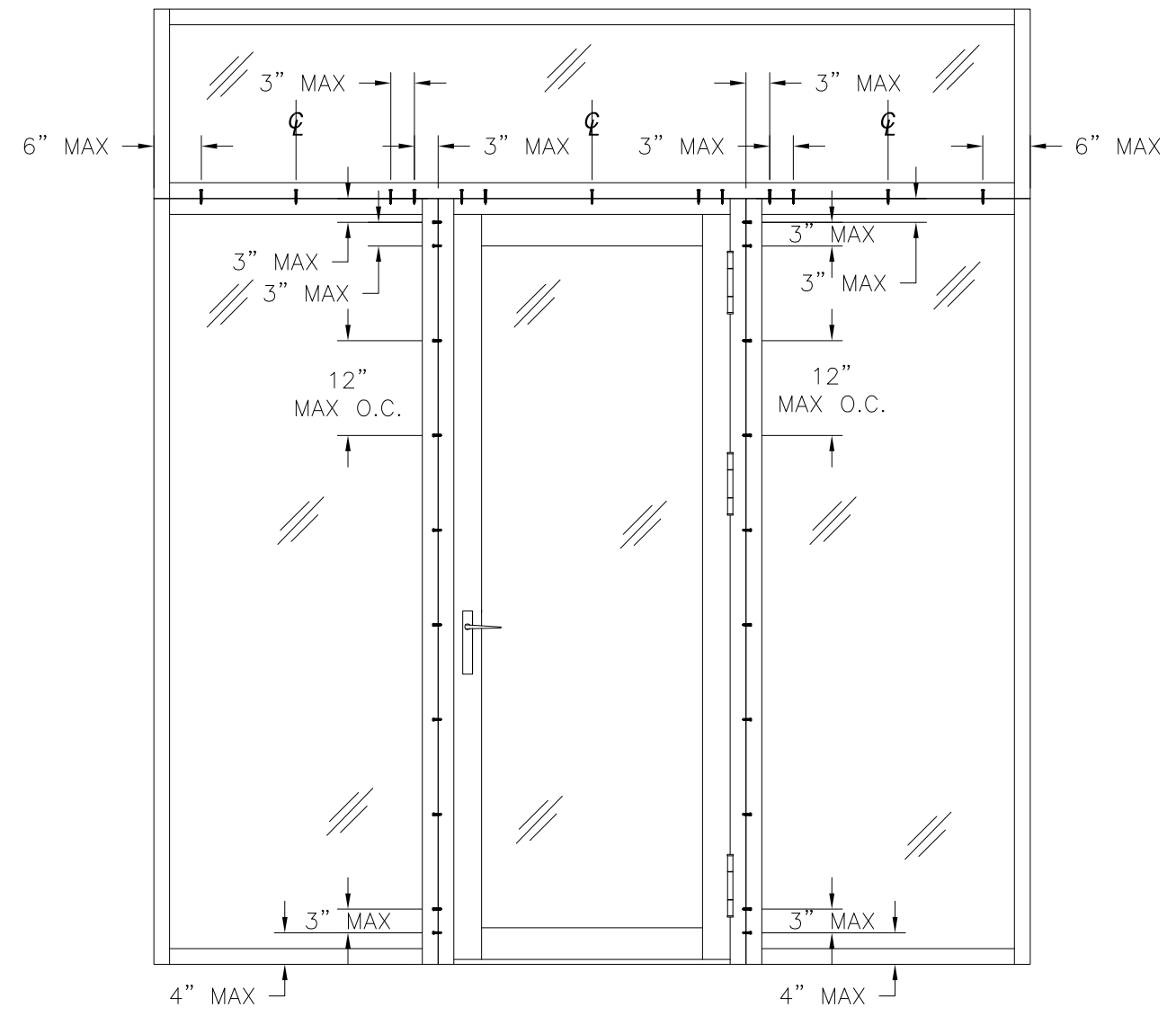
HARDWARE SCHEDULE

| | |
|----|--|
| A. | (3) STEEL LEAF HINGES AT PANEL HINGE STILE |
| B. | STEEL MULTIPPOINT LOCK WITH SHOOT BOLTS AT TOP AND BOTTOM PANEL LOCK STILE |
| C. | PLASTIC SHOOT BOLT GUIDES AT TOP AND BOTTOM OF LOCK STILE |

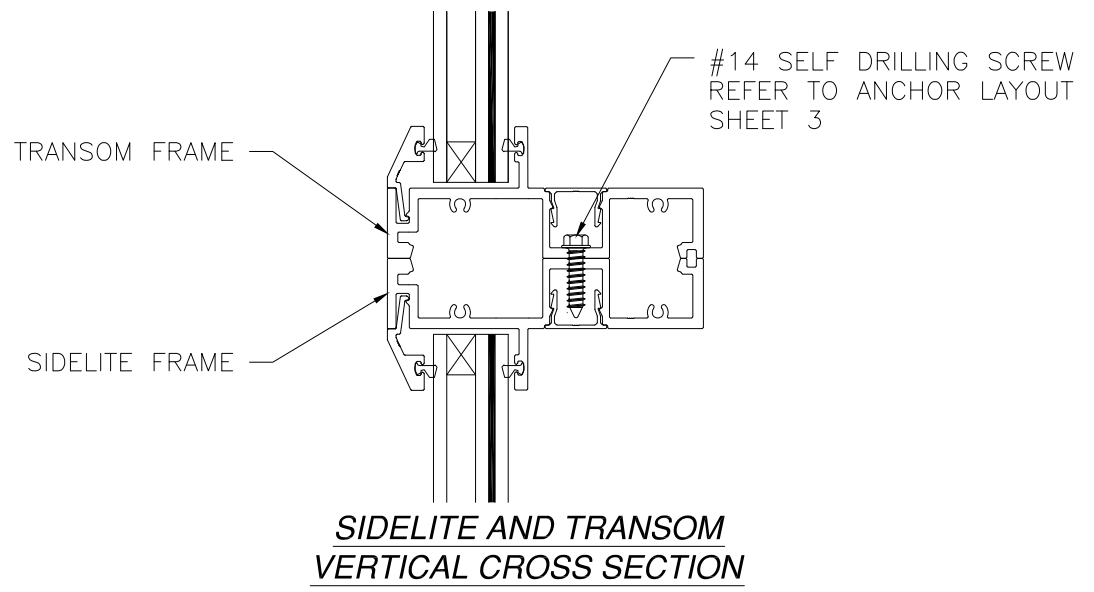
| REVISIONS | | | |
|-----------|-------------|------|----------|
| REV | DESCRIPTION | DATE | APPROVED |
| | | | |



HORIZONTAL CROSS SECTION



TRANSOM, SIDELITES AND DOOR ANCHORING LAYOUT



SIDELITE AND TRANSOM VERTICAL CROSS SECTION

SIGNED: 11/14/2023

Eastern
ARCHITECTURAL SYSTEMS
ALUMINUM AND VINYL
IMPACT WINDOWS AND DOORS

EASTERN ARCHITECTURAL SYSTEMS
A DIVISION OF
EASTERN METAL SUPPLY
16341 DOMESTIC AVE
FORT MYERS, FL 33912
800-432-2204

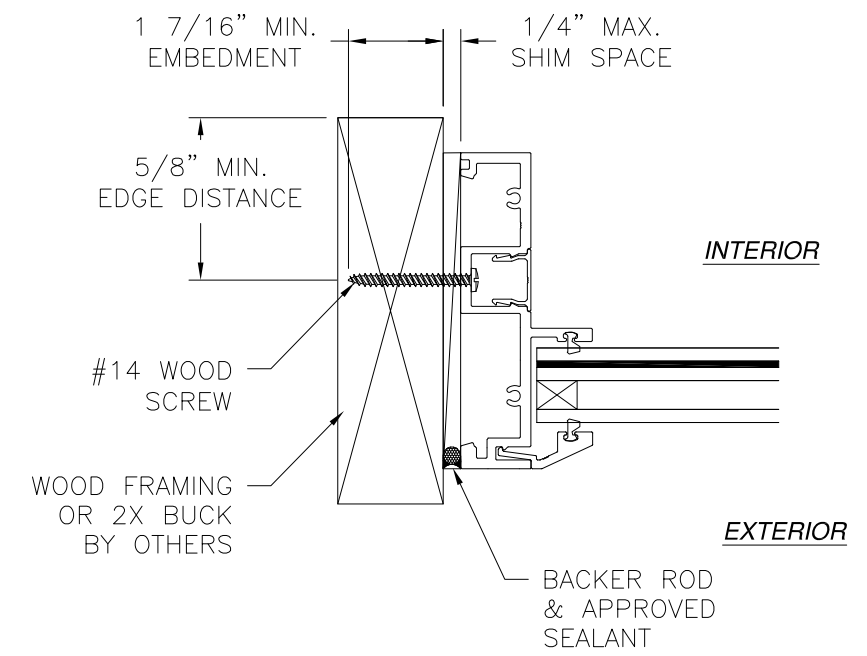
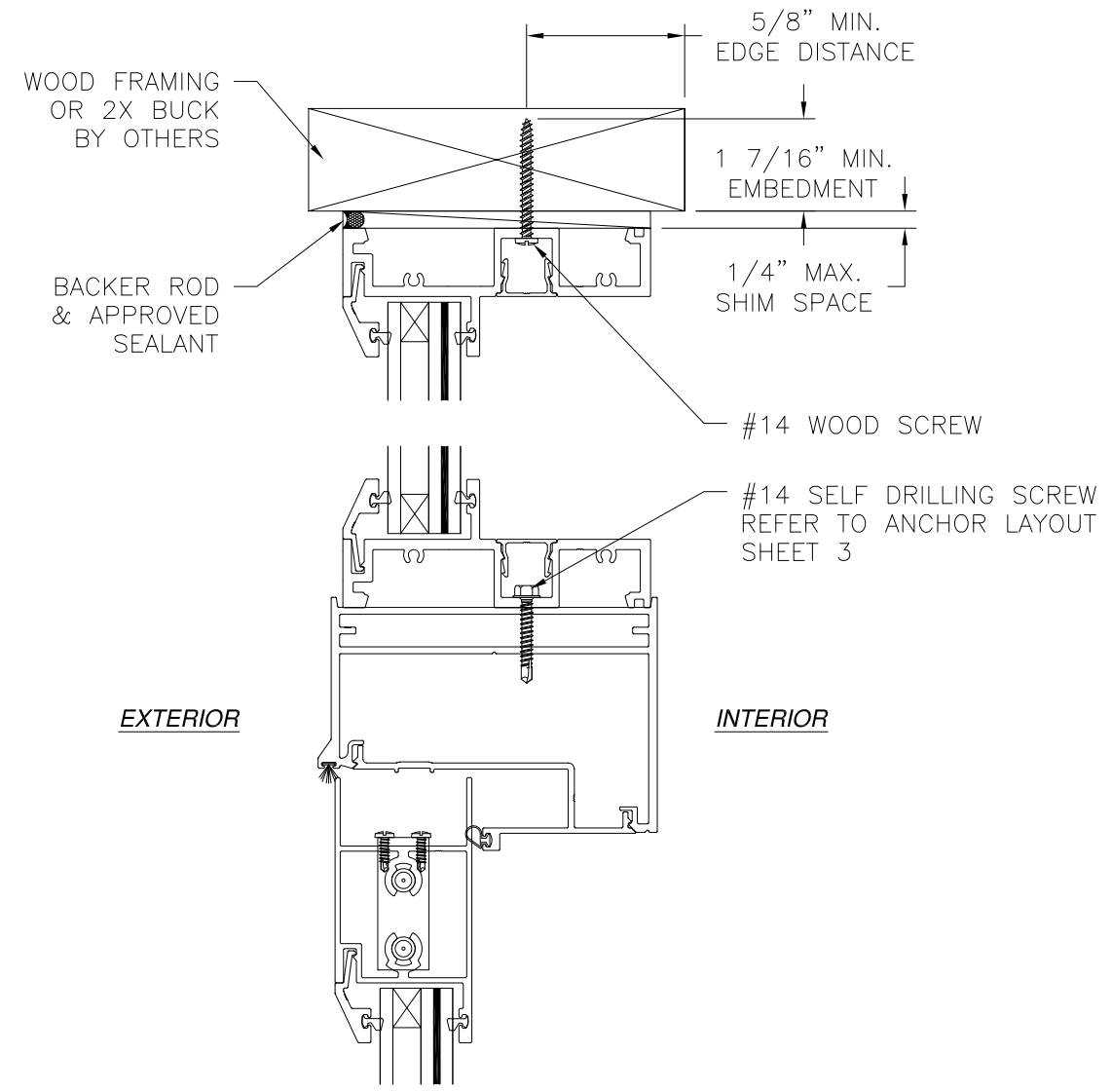
SERIES 5000 OUTSWING SINGLE W/SIDELITES AND TRANSOM ALUMINUM FRENCH DOOR – IMPACT CROSS SECTIONS

| | | |
|----------------|---------------------|-----------------|
| DRAWN: A.R. | DWG NO. 08-03976 | REV - |
| SCALE NTS | DATE 09/26/2023 | SHEET 3 OF 8 |

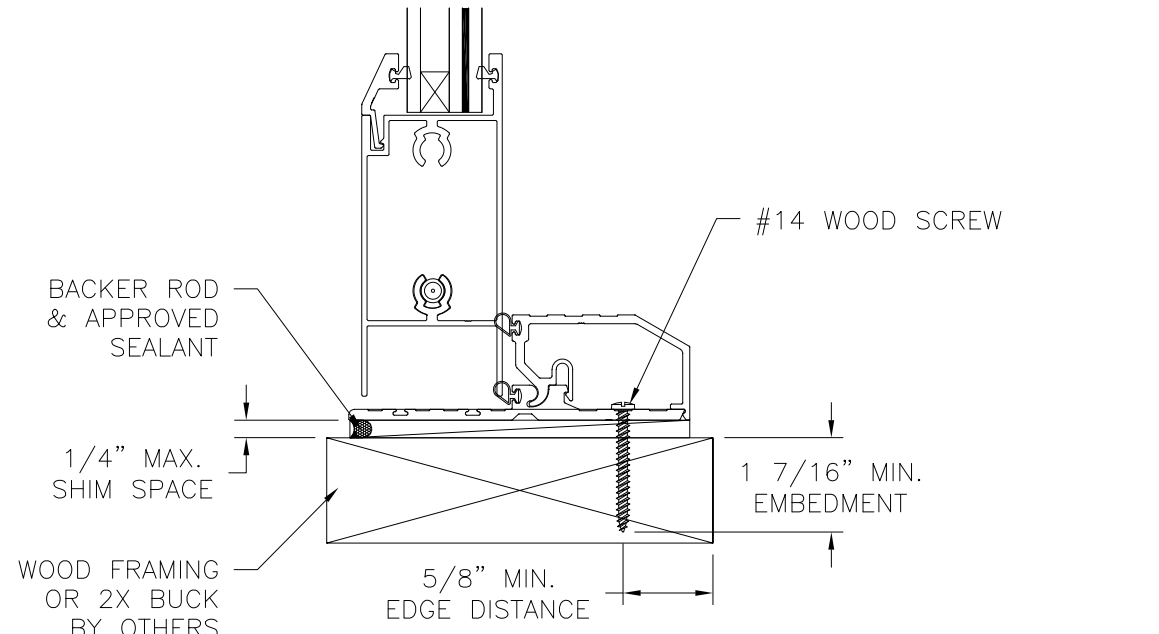
L. ROBERTO LOMAS P.E.
208 7th AVENUE, INDIALANTIC, FL 32903
434-688-0609 rllomas@lrlomaspe.com

Luis R. Lomas P.E.
FL No.: 62514

| REVISIONS | | | |
|-----------|-------------|------|----------|
| REV | DESCRIPTION | DATE | APPROVED |
| | | | |



JAMB INSTALLATION DETAIL
WOOD FRAMING OR 2X BUCK INSTALLATION

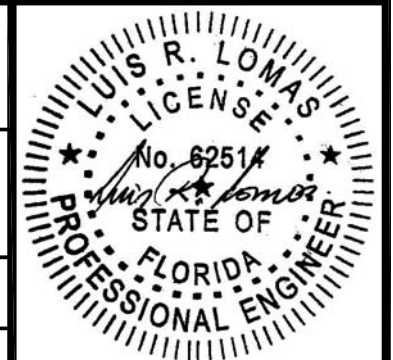


VERTICAL CROSS SECTION
WOOD FRAMING OR 2X BUCK INSTALLATION
DOOR PANEL AND TRANSOM SHOWN
SIDELITES AND TRANSOM SIMILAR

- NOTES:**
1. INTERIOR AND EXTERIOR FINISHES, BY OTHERS, NOT SHOWN FOR CLARITY.
 2. PERIMETER AND JOINT SEALANT BY OTHERS TO BE DESIGNED IN ACCORDANCE WITH ASTM E2112

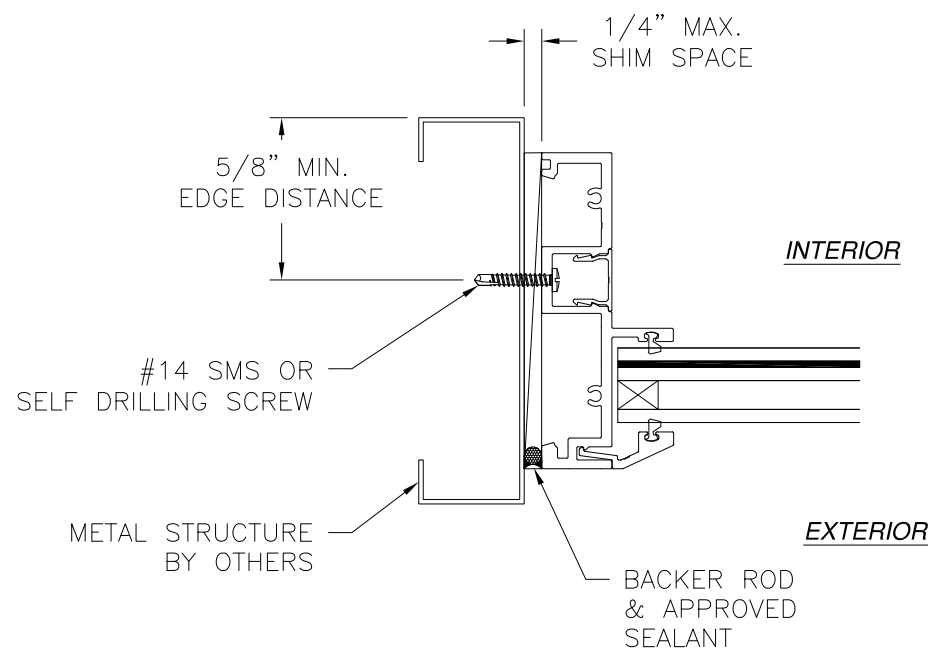
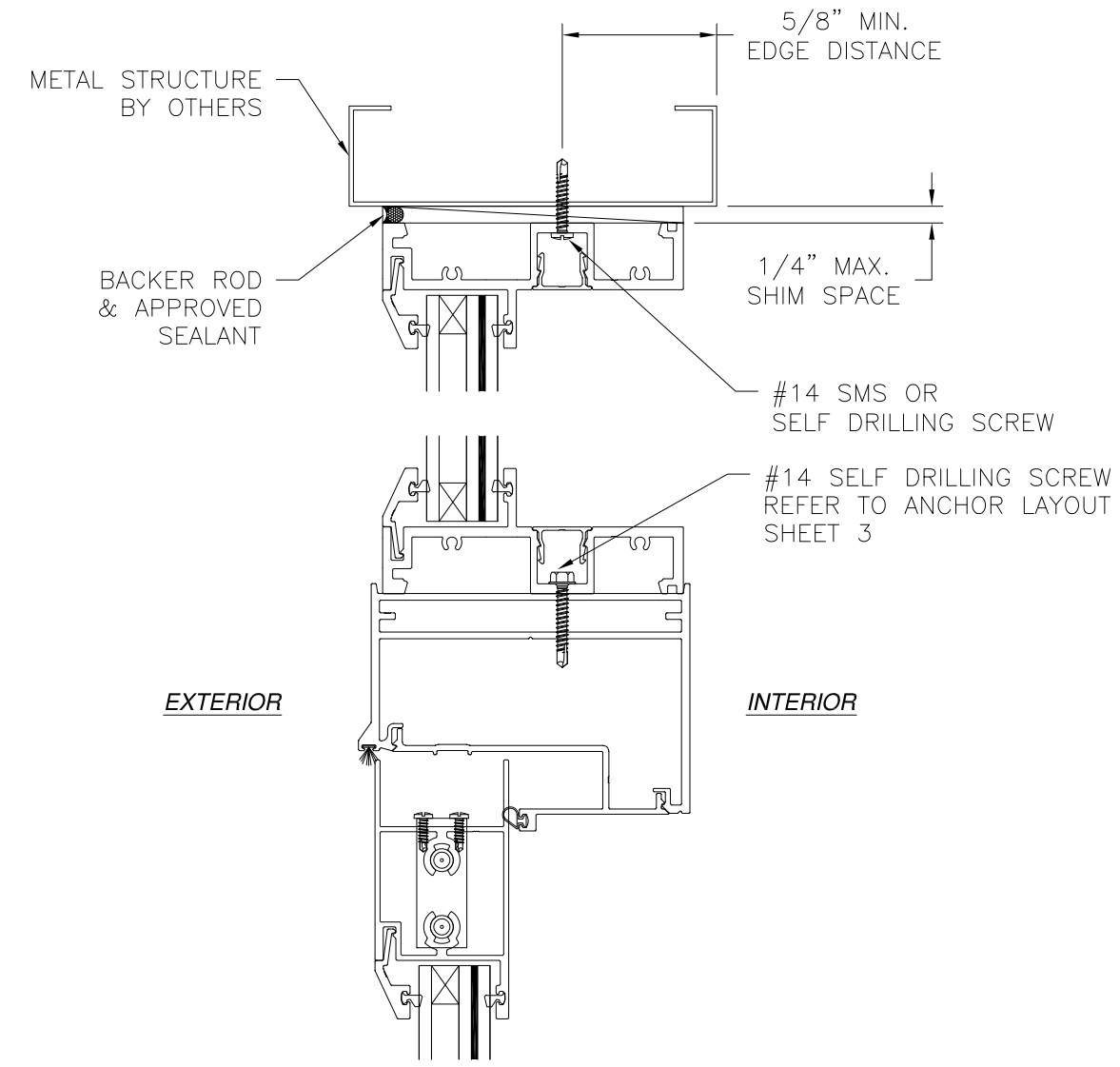
SIGNED: 11/14/2023

| | | | |
|---|---------------------|--|--|
|  | | EASTERN ARCHITECTURAL SYSTEMS A DIVISION OF EASTERN METAL SUPPLY 16341 DOMESTIC AVE FORT MYERS, FL 33912 800-432-2204 | |
| SERIES 5000 OUTSWING SINGLE W/SIDELITES AND TRANSOM ALUMINUM FRENCH DOOR – IMPACT INSTALLATION DETAILS | | | |
| DRAWN: A.R. | DWG NO. 08-03976 | REV - | |
| SCALE NTS | DATE 09/26/2023 | SHEET 4 OF 8 | |
| L. ROBERTO LOMAS P.E. 208 7th AVENUE, INDIALANTIC, FL 32903 434-688-0609 rllomas@lrlomaspe.com | | | |

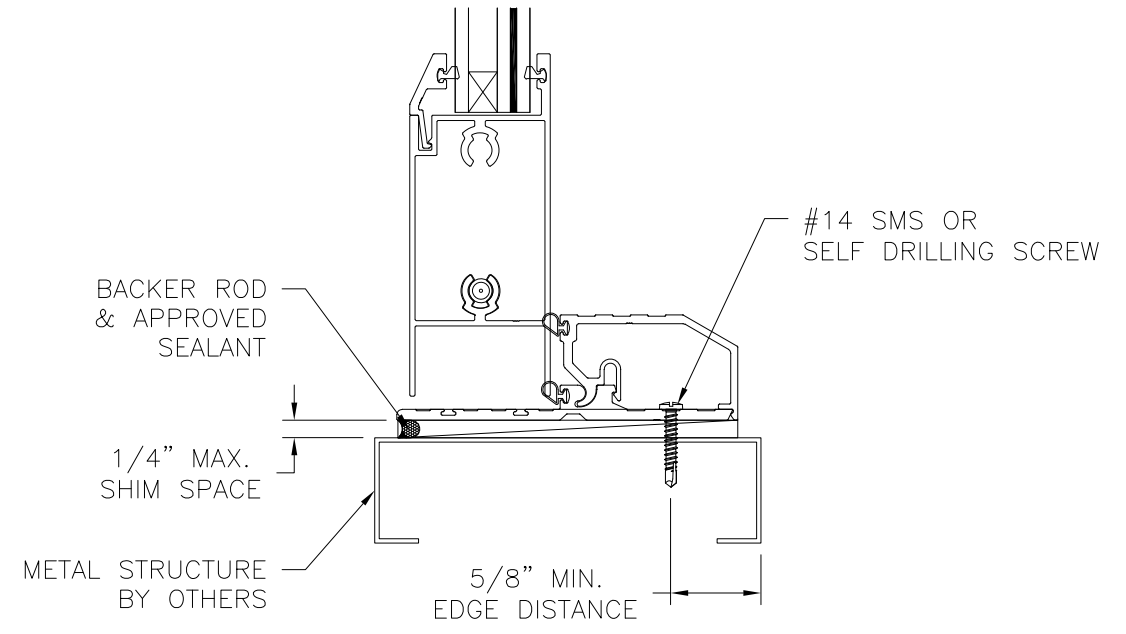


Luis R. Lomas P.E.
FL No.: 62514

| REVISIONS | | | |
|-----------|-------------|------|----------|
| REV | DESCRIPTION | DATE | APPROVED |
| | | | |



JAMB INSTALLATION DETAIL
METAL STRUCTURE INSTALLATION



VERTICAL CROSS SECTION
METAL STRUCTURE INSTALLATION
DOOR PANEL AND TRANSOM SHOWN
SIDELITES AND TRANSOM SIMILAR

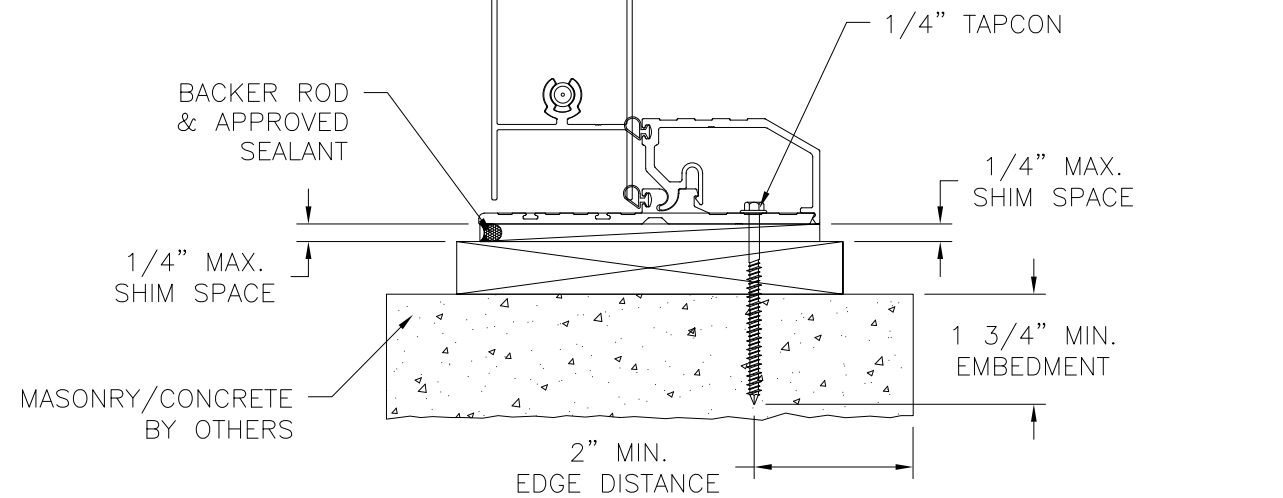
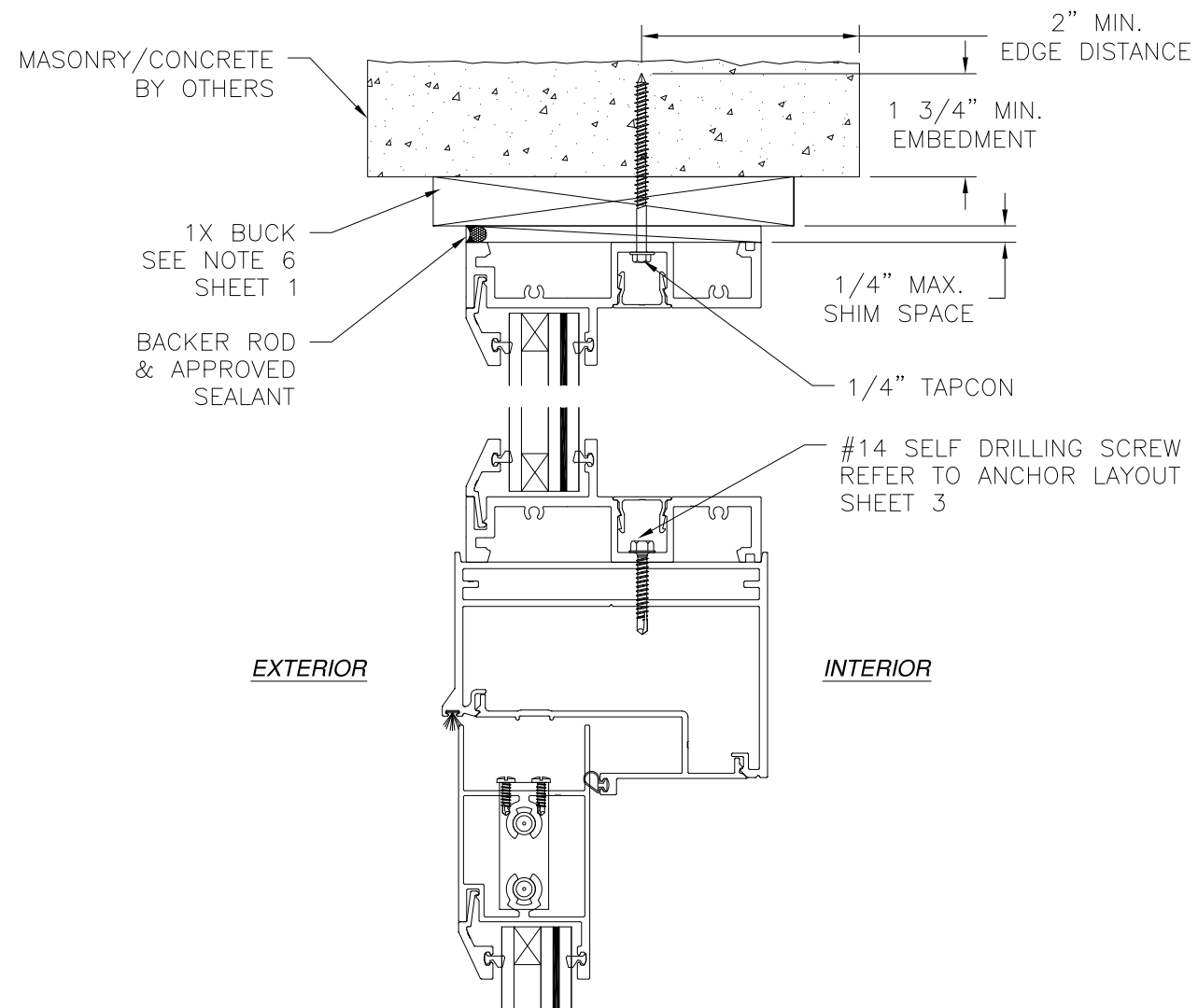
- NOTES:**
1. INTERIOR AND EXTERIOR FINISHES, BY OTHERS, NOT SHOWN FOR CLARITY.
 2. PERIMETER AND JOINT SEALANT BY OTHERS TO BE DESIGNED IN ACCORDANCE WITH ASTM E2112

SIGNED: 11/14/2023

| | | | |
|---|---------------------|--|--|
|  | | EASTERN ARCHITECTURAL SYSTEMS A DIVISION OF EASTERN METAL SUPPLY 16341 DOMESTIC AVE FORT MYERS, FL 33912 800-432-2204 | |
| SERIES 5000 OUTSWING SINGLE W/SIDELITES AND TRANSOM ALUMINUM FRENCH DOOR – IMPACT INSTALLATION DETAILS | | | |
| DRAWN: A.R. | DWG NO. 08-03976 | REV - | |
| SCALE NTS | DATE 09/26/2023 | SHEET 5 OF 8 | |
| L. ROBERTO LOMAS P.E. 208 7th AVENUE, INDIALANTIC, FL 32903 434-688-0609 rllomas@rlomaspe.com | | | |

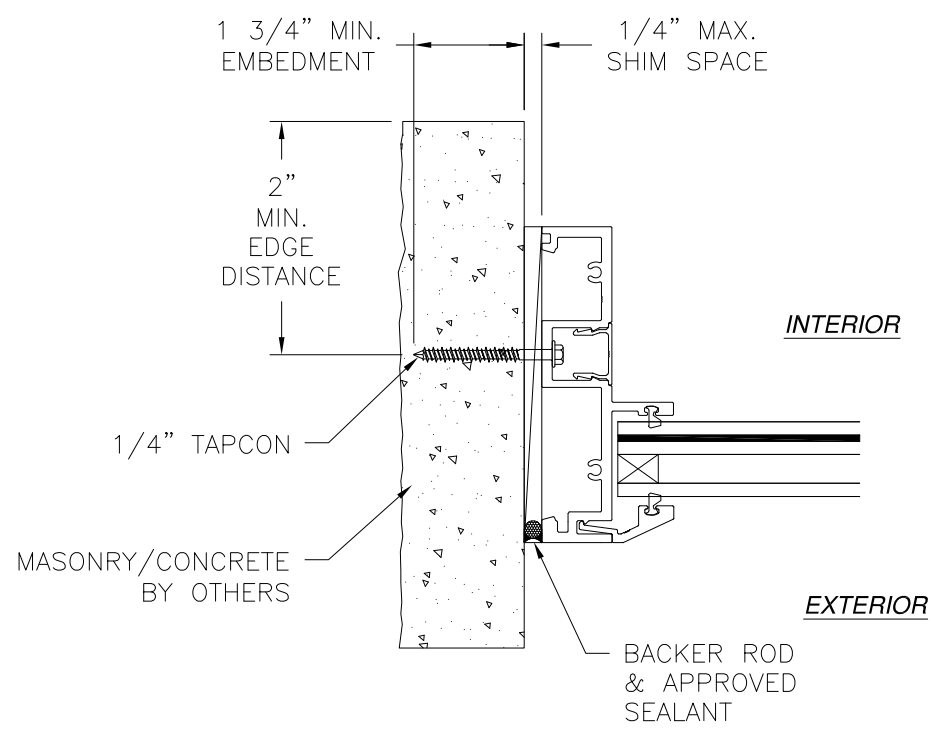


Luis R. Lomas P.E.
FL No.: 62514



VERTICAL CROSS SECTION
CONCRETE/MASONRY WITH 1X BUCK INSTALLATION
 FOR CONCRETE/MASONRY WITHOUT 1X BUCK REFER TO JAMB INSTALLATION DETAIL
 DOOR PANEL AND TRANSOM SHOWN, SIDELITES AND TRANSOM SIMILAR


| REVISIONS | | | |
|-----------|-------------|------|----------|
| REV | DESCRIPTION | DATE | APPROVED |
| | | | |

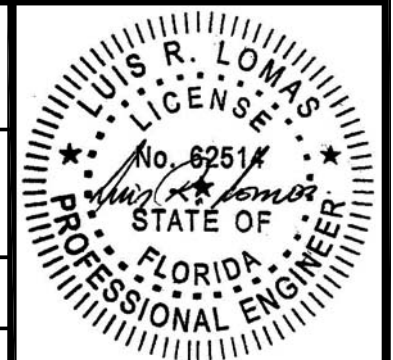


JAMB INSTALLATION DETAIL
CONCRETE/MASONRY WITHOUT 1X BUCK INSTALLATION
 FOR CONCRETE/MASONRY WITH 1X BUCK REFER TO
 HEAD AND SILL INSTALLATION DETAILS

- NOTES:**
1. INTERIOR AND EXTERIOR FINISHES, BY OTHERS, NOT SHOWN FOR CLARITY.
 2. PERIMETER AND JOINT SEALANT BY OTHERS TO BE DESIGNED IN ACCORDANCE WITH ASTM E2112

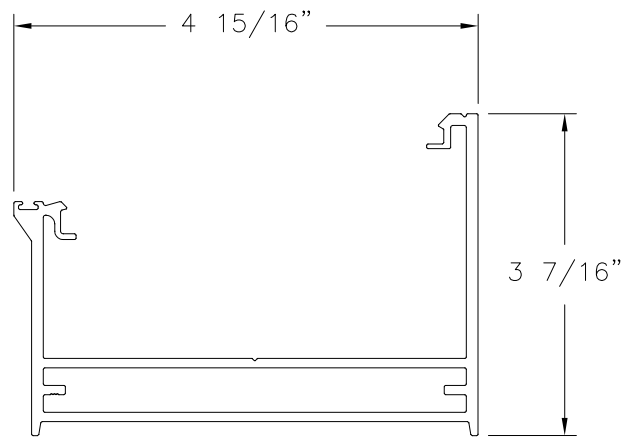
SIGNED: 11/14/2023

| | | | |
|---|---------------------|--|--|
|  | | EASTERN ARCHITECTURAL SYSTEMS A DIVISION OF EASTERN METAL SUPPLY 16341 DOMESTIC AVE FORT MYERS, FL 33912 800-432-2204 | |
| SERIES 5000 OUTSWING SINGLE W/SIDELITES AND TRANSOM ALUMINUM FRENCH DOOR – IMPACT INSTALLATION DETAILS | | | |
| DRAWN: A.R. | DWG NO. 08-03976 | REV - | |
| SCALE NTS | DATE 09/26/2023 | SHEET 6 OF 8 | |
| L. ROBERTO LOMAS P.E. 208 7th AVENUE, INDIALANTIC, FL 32903 434-688-0609 rllomas@rlomaspe.com | | | |

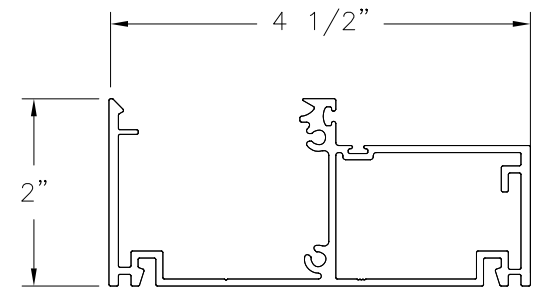


Luis R. Lomas P.E.
 FL No.: 62514

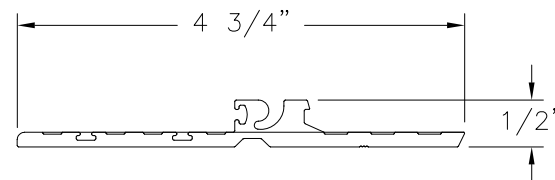
| REVISIONS | | | |
|-----------|-------------|------|----------|
| REV | DESCRIPTION | DATE | APPROVED |
| | | | |



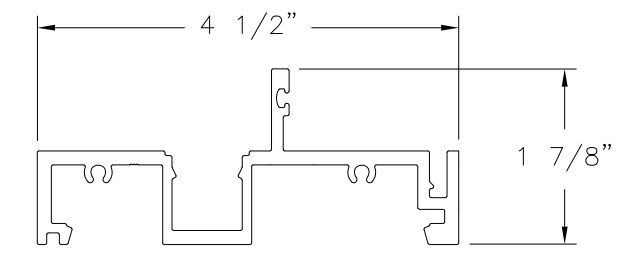
HEAD
ALUMINUM 6063-T6



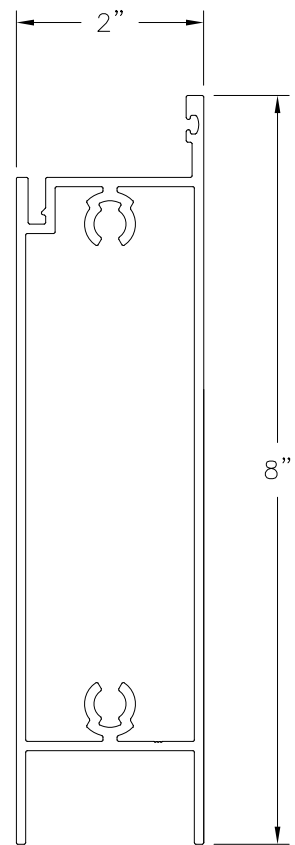
JAMB
ALUMINUM 6063-T6



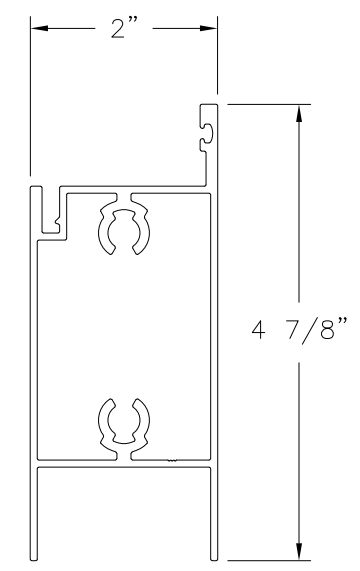
HANDICAP THRESHOLD
ALUMINUM 6063-T6



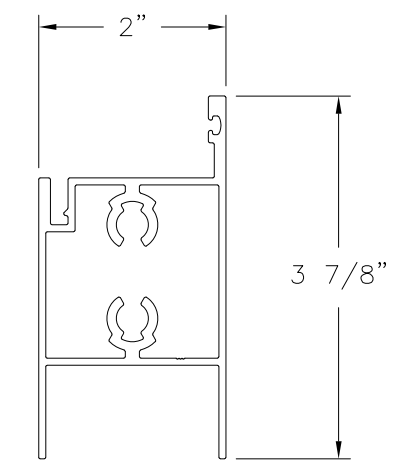
JAMB/ SIDELITE/ TRANSOM
ALUMINUM 6063-T6



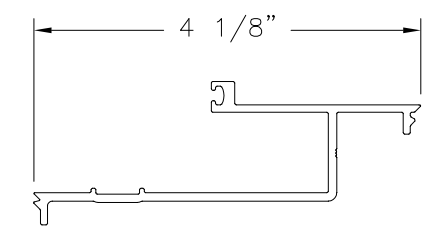
8" BOTTOM RAIL
ALUMINUM 6063-T6



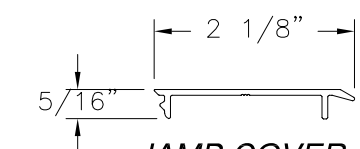
**DOOR
BOTTOM RAIL**
ALUMINUM 6063-T6



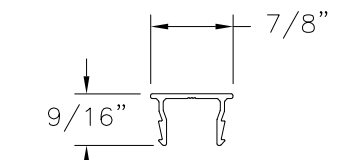
DOOR TOP RAIL
ALUMINUM 6063-T6



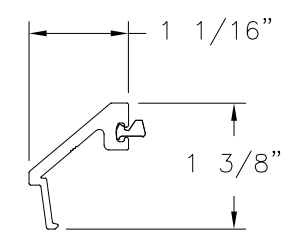
DOOR HEAD INSERT
ALUMINUM 6063-T6



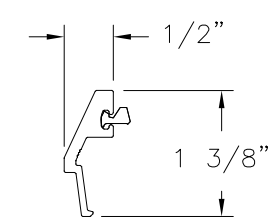
JAMB COVER
ALUMINUM 6063-T6



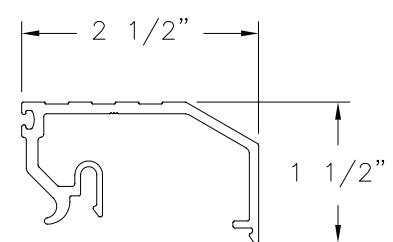
SIDELITE FRAME COVER
ALUMINUM 6063-T6



GLAZING BEAD
ALUMINUM 6063-T6



GLAZING BEAD
ALUMINUM 6063-T6



ADD-ON SILL
ALUMINUM 6063-T6



Eastern
ARCHITECTURAL SYSTEMS
ALUMINUM AND VINYL
IMPACT WINDOWS AND DOORS

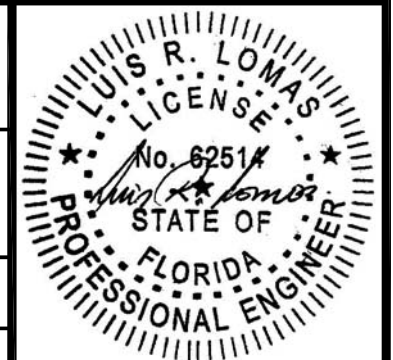
EASTERN ARCHITECTURAL SYSTEMS
A DIVISION OF
EASTERN METAL SUPPLY
16341 DOMESTIC AVE
FORT MYERS, FL 33912
800-432-2204

**SERIES 5000 OUTSWING SINGLE W/SIDELITES
AND TRANSOM ALUMINUM FRENCH DOOR – IMPACT
COMPONENTS**

| | | |
|----------------|---------------------|--------------|
| DRAWN: A.R. | DWG NO. 08-03976 | REV - |
| SCALE NTS | DATE 09/26/2023 | SHEET 7 OF 8 |

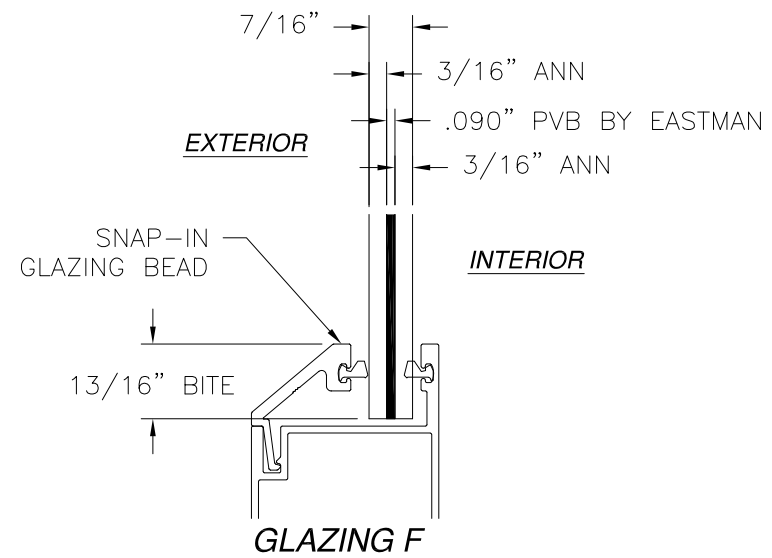
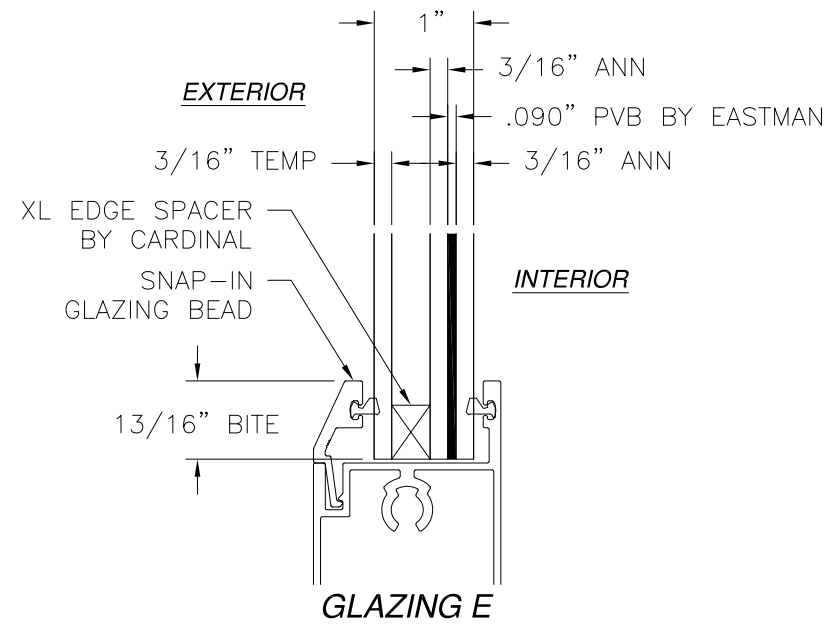
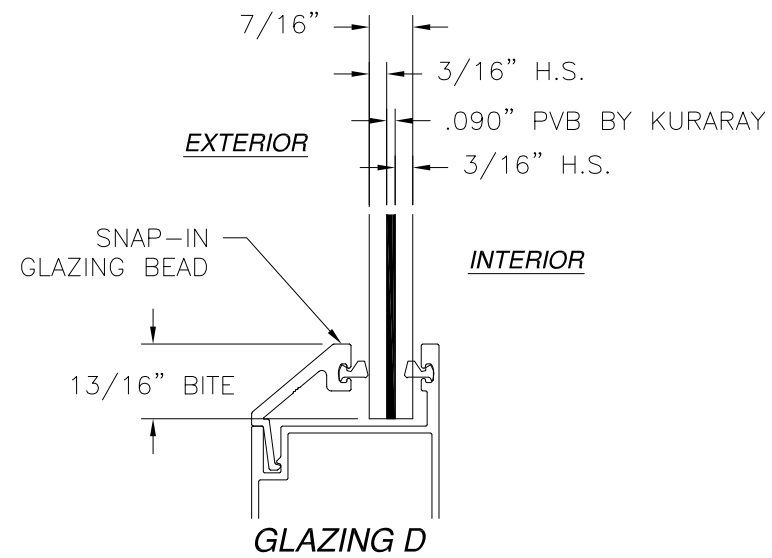
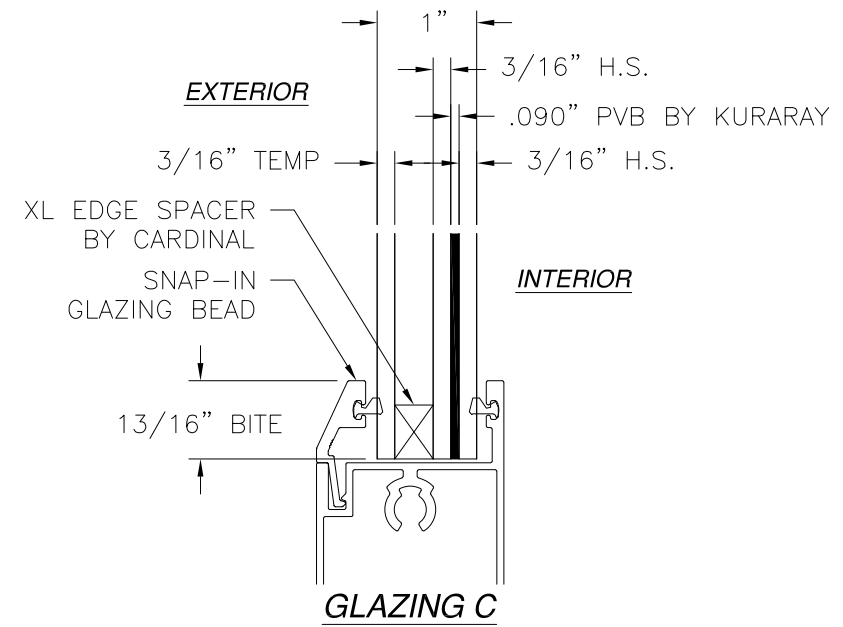
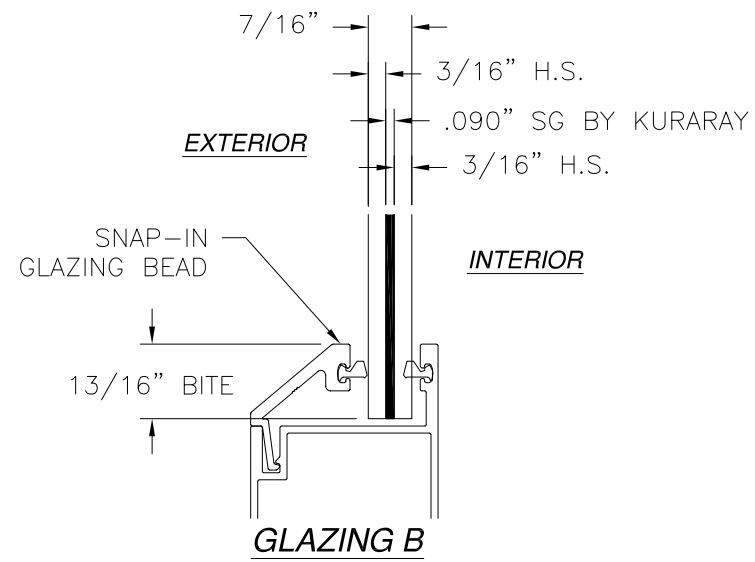
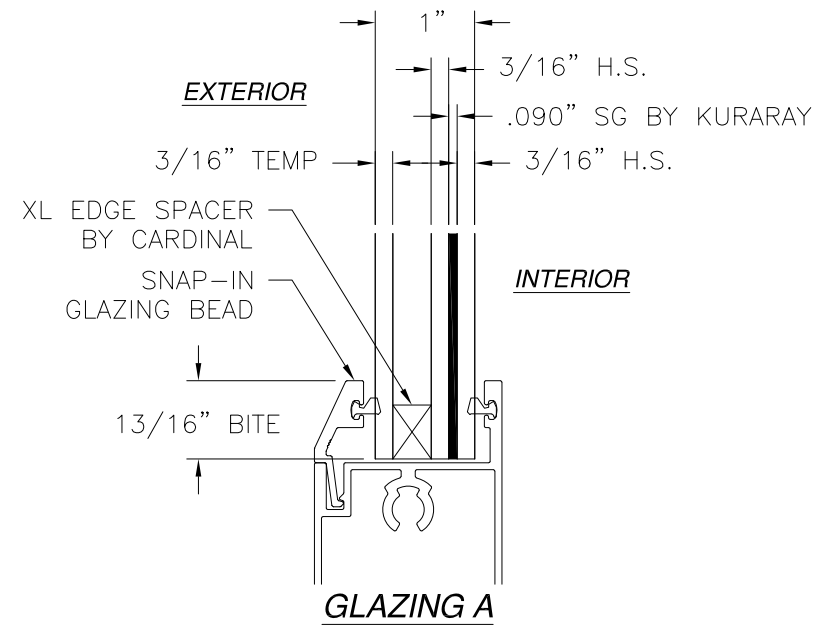
L. ROBERTO LOMAS P.E.
 208 7th AVENUE, INDIALANTIC, FL 32903
 434-688-0609 rllomas@rlomaspe.com

SIGNED: 11/14/2023




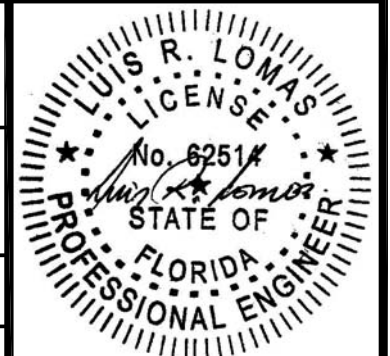
Luis R. Lomas P.E.
FL No.: 62514

| REVISIONS | | | |
|-----------|-------------|------|----------|
| REV | DESCRIPTION | DATE | APPROVED |
| | | | |



SIGNED: 11/14/2023

| | | | |
|---|---------------------|--|--|
|  | | EASTERN ARCHITECTURAL SYSTEMS A DIVISION OF EASTERN METAL SUPPLY 16341 DOMESTIC AVE FORT MYERS, FL 33912 800-432-2204 | |
| SERIES 5000 OUTSWING SINGLE W/SIDELITES AND TRANSOM ALUMINUM FRENCH DOOR - IMPACT GLAZING DETAILS | | | |
| DRAWN: A.R. | DWG NO. 08-03976 | REV - | |
| SCALE NTS | DATE 09/26/2023 | SHEET 8 OF 8 | |
| L. ROBERTO LOMAS P.E. 208 7th AVENUE, INDIALANTIC, FL 32903 434-688-0609 rllomas@lrlomaspe.com | | | |



Luis R. Lomas P.E.
FL No.: 62514